



Powered Wheelchair
Fauteuil roulant électrique
Elektrische rolstoel

000690770.02

Quickie Q700 M/F/R

Instructions for Use
Manuel d'utilisation
Gebruikershandleiding



We at SUNRISE MEDICAL have been awarded the ISO-9001 certificate, which affirms the quality of our products at every stage, from R & D to production. This products meet the requirements in accordance with EC guidelines. Options or accessories shown are available at extra cost.

Description du fauteuil

FR



SUNRISE MEDICAL est certifié ISO -9001, une norme qui garantit la qualité des produits à toutes les étapes, de la conception à la production, en passant par la recherche et le développement. Ce produit est conforme aux directives de la Communauté européenne. Les options ou accessoires illustrés sont disponibles moyennant un coût supplémentaire.

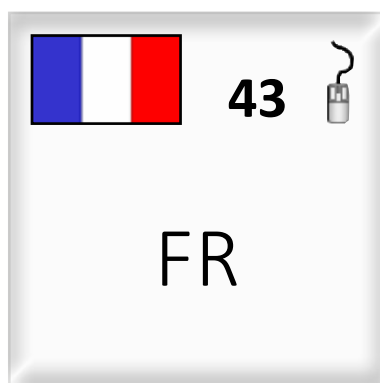
Rolstoelonderdelen

NL



SUNRISE MEDICAL heeft het ISO 9001 certificaat toegekend gekregen, een bewijs van de kwaliteit van onze processen in elk stadium, vanaf het onderzoek en de ontwikkeling tot de productie.

Deze producten voldoen aan de vereisten in overeenstemming met Europese richtlijnen. Getoonde opties en accessoires zijn tegen betaling verkrijgbaar.



If you have any queries about the use, maintenance or safety of your wheelchair, please contact your local approved Sunrise Medical service agent. If you do not know of an approved dealer in your area or have any other questions please write or telephone:

Sunrise Medical Australia Pty Ltd.
6 Healey Circuit
Huntingwood NSW 2148
Phone: (02) 9678 6600
Fax: (02) 9423 6969
Email: enquiries@sunrisemedical.com.au
www.SunriseMedical.com.au

Contents

1.0 User information 4
 1.1 This user manual4
 1.2 For further information4
 1.3 Symbols used in this manual4

2.0 Safety 5
 2.1 Symbols and labels used on the product5
 2.2 Safety: Temperature5
 2.3 Safety: Moving parts, (Fig.2.10)6
 2.4 Safety: Electromagnetic radiation6
 2.5 Safety: Choking hazard7
 2.6 Safety: Using a (vehicle mounted) wheelchair lift7
 2.7 Safety: Trays7
 2.8 Safety: Lifting the wheelchair7

3.0 Intended use of the wheelchair 8
 3.1 Area of application: The user8
 3.2 Area of application: The user environment9

4.0 Setting up the wheelchair 10
 4.1 Seating system10
 4.2 Seat height10
 4.3 Centre of gravity10
 4.4 Controller height and depth10
 4.5 Control system programme10

5.0 Using the wheelchair 11
 5.1 Checking wheelchair before use11
 5.2 Making a transfer12
 5.3 Driving the wheelchair12
 5.4 Curves13
 5.5 Braking & Emergency stop13
 5.6 Driving on a slope14
 5.7 Obstacles & kerbs:15
 5.8 Pushing the wheelchair16
 5.9 (Powered) seating options17
 5.10 Seat Memory Position (Sedeo Ergo only)18

6.0 Batteries, charging and range 18
 6.1 Batteries18
 6.2 Charging batteries:19
 6.3 The range of your vehicle:21
 6.4 Battery warranty:22
 6.5 Replacing batteries22
 6.6 Disconnecting batteries for air transport.22

7.0 Transportation 24
 7.1 Transport of the wheelchair in a car24
 7.2 The wheelchair as a passenger seat26
 7.3 Special transport requirements27
 7.4 General transport warnings27

8.0 Maintenance & cleaning 28
 8.1 Maintenance28
 8.2 Tyre maintenance and pressures30
 8.3 Wheels & tyres maintenance33
 8.4 Lighting maintenance:34
 8.5 Cleaning and disinfection34
 8.6 Medium to long term storage:34

9.0 Disposal 35

10.0 Trouble shooting 36

11.0 Technical specifications: Applicable norms/standards . 36

12.0 Warranty 42

Dealer signature and stamp

1.0 User information

Thank you for choosing a Sunrise Medical wheelchair. Sunrise Medical's high-quality mobility products are designed to enhance independence and make your everyday life easier.

As a part of our ongoing product improvement initiative, Sunrise Medical reserves the right to change specifications and design without notice.

However, any changes to information provided for existing users shall be clearly communicated if they are safety critical.

Further, not all features and options offered are compatible with all configurations of the wheelchair.

All dimensions are approximate and may be subject to change.




The intended lifetime of the wheelchair is 5 years. Please **DO NOT** use or fit any 3rd party components to the wheelchair unless they are officially approved by Sunrise Medical.

1.1 This user manual

This user manual will help you to use and maintain your wheelchair safely. This entire user manual for this wheelchair consists of three booklets:

- The general wheelchair user manual (this booklet)
- The user manual for the seating system
- The user manual for the controller

When necessary this general user manual refers to other manuals as shown in the table below:

| | |
|---|--|
|  Seating system: | Refers to the user manual for the seating system. |
|  Controller: | Refers to the user manual for the controller. |
|  Battery charger: | Refers to the user manual for the battery charger. |

Do not use your wheelchair until this entire manual and all relevant booklets have been read and understood!

If one of the user manuals was not included with your wheelchair, please contact your dealer immediately.

1.2 For further information

Please contact your local, authorized Sunrise Medical dealer if you have any questions regarding the use, maintenance or safety of your wheelchair. In case there is no authorized dealer in your area or you have any questions, contact Sunrise Medical either in writing or by telephone.

For information about product safety notices and product recalls, go to www.SunriseMedical.co.uk

1.3 Symbols used in this manual

 **DANGER!**

Potential risk of injury or serious injury or death

 **WARNING!**

Potential risk of injury.

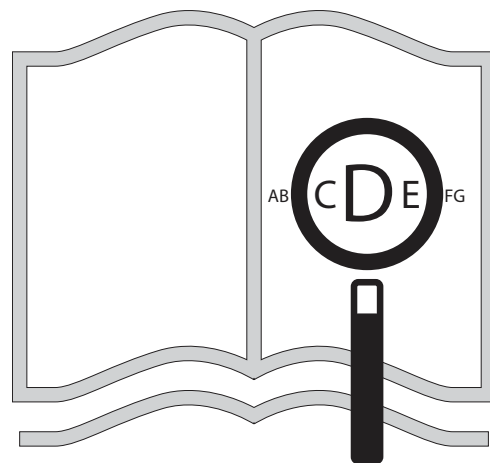
 **CAUTION!**

Potential damage to equipment.

NOTE:

General user advice.

Not following these instructions may result in physical injury, damage to the product or damage to the environment!



If you are visually impaired, this document can be viewed in PDF format at www.SunriseMedical.com.au



or alternatively is available on request in large text.



2.0 Safety

Follow the instructions carefully next to these warning symbols! Not paying careful attention to these instructions could result in physical injury or damage to the wheelchair or the environment. Wherever possible, safety information is provided in the relevant chapter.

2.1 Symbols and labels used on the product

The signs, symbols and instructions affixed to the wheelchair comprise part of the safety facilities. They must never be covered or removed. They must remain present and clearly legible throughout the entire lifespan of the wheelchair.

Replace or repair all illegible or damaged signs, symbols and instructions immediately. Please contact your dealer for assistance.

Fig. 2.1. Warning - Do Not Touch - HOT

Fig. 2.2. Taxi fixation point

Fig. 2.3. Warning – Danger of finger entrapment

Fig. 2.4. Warning – Ensure that the seat interface quick release is screwed in tight before using your wheelchair, especially on a slope

Fig. 2.5. Warning – Do not drive your wheelchair on a slope with the backrest reclined and/or the seating in standing mode

Fig. 2.6. Warning – Maximum user weight for the wheelchair: 160 kg

Fig. 2.7. Freewheel mechanism: outward lever down = freewheel

Fig. 2.8. The serial number and information label, (example only).

Fig. 2.9. Location of Serial Number Label, (*overleaf* - Fig. 2.9.1 Mid wheel, Fig. 2.9.2 Front Wheel, 2.9.3 Rear Wheel).

2.2 Safety: Temperature

WARNING!

- Avoid physical contact with the wheelchair’s motors at all times. Motors are continuously in motion during use and can reach high temperatures. After use, the motors will cool down slowly. Physical contact could cause burns. Allow the motors after using at least 30 min. to cool down.
- If you do not use the wheelchair, ensure that it is not exposed to direct sunlight for lengthy periods of time. Certain parts of the wheelchair, such as the seat, the back and the armrests can become hot if they have been exposed to full sunlight for too long. This may cause burns or allergic reactions to the skin.



Fig. 2.1



Fig. 2.2



Fig. 2.3

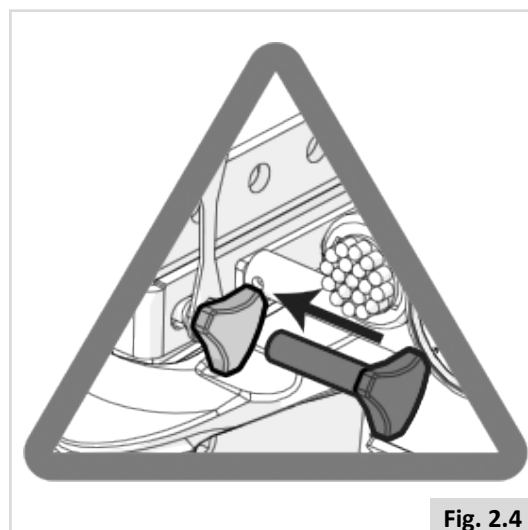


Fig. 2.4



Fig. 2.5



Fig. 2.6

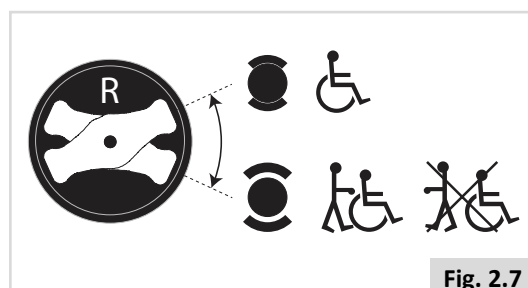


Fig. 2.7

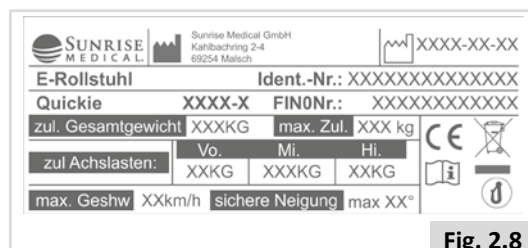


Fig. 2.8

2.3 Safety: Moving parts, (Fig.2.10)

! DANGER!

A wheelchair has moving and rotating parts. Contact with moving parts may result in serious physical injury or damage to the wheelchair. Contact with the moving parts of the wheelchair should be avoided.

- Wheels (turning and castor)
- Powered tilt in space adjustment
- Powered seat elevator option
- Powered recline adjustment
- Swing-away bracket of the controller

2.4 Safety: Electromagnetic radiation

! CAUTION!

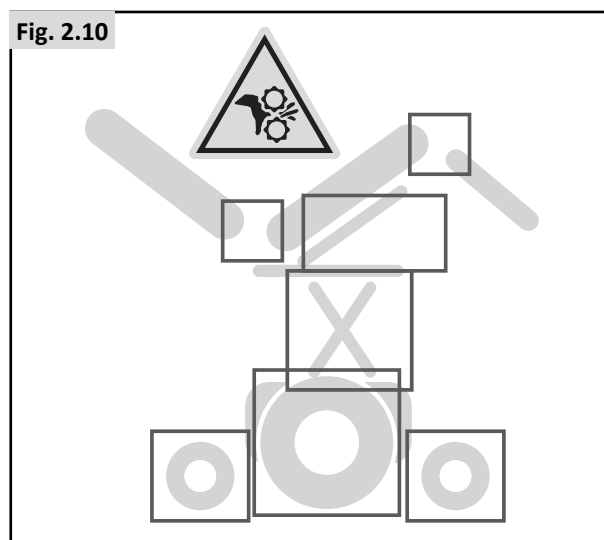
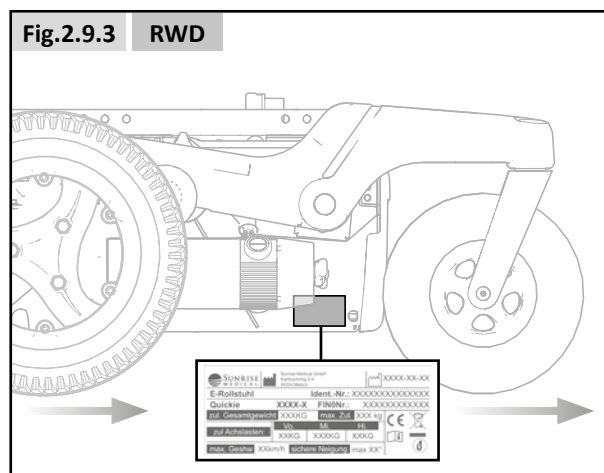
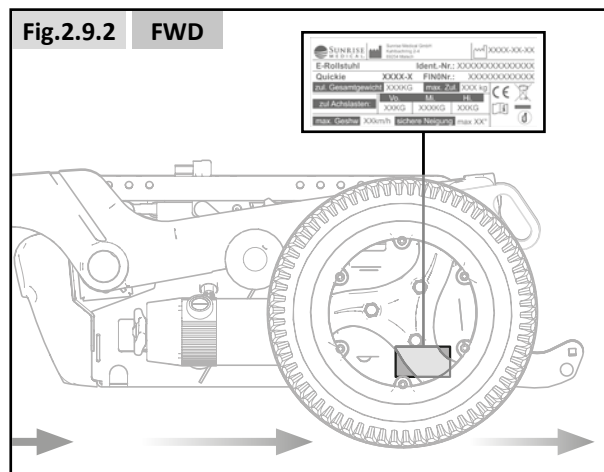
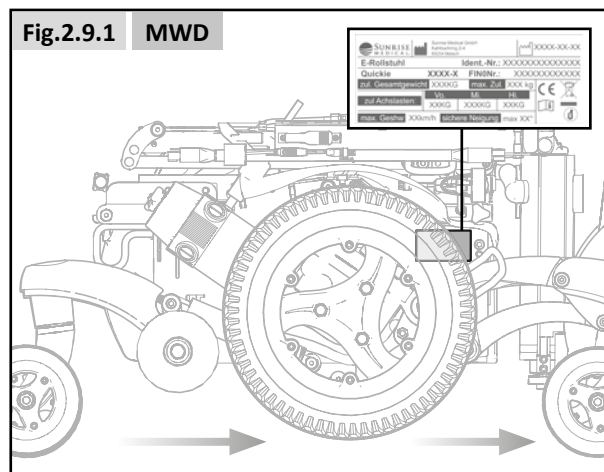
The standard version of your electric wheelchair has been tested on the applicable requirements with respect to electromagnetic radiation (EMC requirements) In spite of these tests: It cannot be excluded that electromagnetic radiation may have an influence on the wheelchair. For example:

- mobile telephony
- large-scale medical apparatus
- other sources of electromagnetic radiation
- It cannot be excluded that the wheelchair may interfere with electromagnetic fields. For example:
- shop doors
- burglar alarm systems in shops
- garage door openers

In the unlikely event that such problems do occur, we request that you notify your dealer immediately.

! DANGER!

- When operating two-way radio, walkie-talkies, C.B., Amateur radio, public mobile radio and other powerful transmitting devices the wheelchair should be brought to a halt and turned off.
- The operation of cordless, mobile telephones and cell phones including hands-free devices is permitted but if abnormal operation of the wheelchair is encountered then the chair must be brought immediately to a halt and turned off.



2.5 Safety: Choking hazard



DANGER!

This mobility aid uses small parts which under certain circumstances may present a choking hazard to young children.

2.6 Safety: Using a (vehicle mounted) wheelchair lift

Wheelchair lifts are used in vans, buses and buildings to help you move from one level to another.



DANGER!

- Ensure that the user and all carers fully understand the lift manufacturer's instructions for using the passenger lift.
- Never exceed the lift manufacturer's recommended safe working load and load distribution guidance.
- Always turn off all power when you are on the lift. If you fail to do so, you may touch the joystick by accident and cause your chair to drive off the platform. Be aware that a roll-stop at the end of the platform may not prevent this.
- Always position the user securely in the chair to help avoid falls while on the lift.
- Always ensure the chair is in drive mode when using passenger lift (wheels locked not in freewheel mode).

2.7 Safety: Trays

Safety: Swing away tray:



DANGER!

- The maximum weight allowed for the tray is 2.5kg.
- Do not overload the tray, this could cause the tray to break or could cause the chair to become unstable.
- Do not leave lit cigarettes or other heat sources on the tray as this could cause the tray to deform and mark.
- Ensure that all extremities and clothing are clear when positioning the tray for use.

2.8 Safety: Lifting the wheelchair



WARNING!

- Do not lift this seating system by any parts that are removable, doing so may result in damage to the seating system or injury to the user.

3.0 Intended use of the wheelchair



General description

The Q700 range is an ultimate modular power wheelchair. A distinctive feature is the advanced suspension system that allows you to have an excellent driving experience indoors as well as outdoors. Due to its modular design, simplicity and wide range of adjustments, the Quickie Q700 series is a perfect choice for easy service, refurbishment and recycle requirements.

The Q700 series fulfils individual preferences, needs or circumstances and is available in the following configurations:

- Midwheeldrive (MWD): Q700 M
- Frontwheeldrive (FWD): Q700 F
- Rearwheeldrive (RWD): Q700 R


To have optimum seating support and individual adjustments the Q700 series is available in combination with

- Sedeo Ergo seating system (refer to seating manual )
- Sedeo Pro seating system (refer to seating manual )

3.1 Area of application: The user

Power wheelchairs are exclusively for a user who is unable to walk or has limited mobility, for their own personal use indoors and outdoors. Driving a powered wheelchair requires cognitive, physical and visual skills. The user must be able to estimate and correct the results of actions when operating the wheelchair.

The wheelchair cannot transport more than 1 person at a time. The maximum weight limit (includes both the user and any weight of accessories fitted to the wheelchair) is marked on the serial number label, which is affixed to the chassis of the chair (Fig. 2.9).

For restrictions on user weight limit refer to seating manual .

The user must be informed of the contents of this user manual before driving the wheelchair. In addition, the user of the wheelchair must be given thorough instruction by a qualified specialist before he or she participates in traffic. The first sessions in the wheelchair should be practiced under supervision of a trainer/advisor.

The variety of fitting variants as well as the modular design mean that this wheelchair can be used by those who cannot walk or have limited mobility e.g. because of:

- Paralysis
- Loss of extremity (leg amputation)
- Extremity defect deformity
- Joint contractures/joint injuries
- Strokes and brain injuries
- Neurological disabilities (e.g. MS, Parkinson...)
- Illnesses such as heart and circulation deficiencies, disturbance of equilibrium or cachexia as well as for elderly people who still have the strength in the upper body.
- Persons who are mentally and physically able to control an input device to operate the chair and its functions in a safe way.
- The maximum user weight shall not exceed 160 kg.

Basic Components (Fig.3.1).

- | | |
|-----------------|---------------------|
| 1. Headrest | 7. Drive Wheel |
| 2. Joystick | 8. Rear Castor |
| 3. Arm Rest | 9. Motors |
| 4. Seat Cushion | 10. Battery Box |
| 5. Leg Rest | 11. Back Upholstery |
| 6. Front Castor | |

Fig. 3.1



⚠ WARNING!

- If you are under the influence of medicines that can have an effect on your ability to drive, you are not permitted to drive a wheelchair.
- Adequate vision is required in order to safely operate a wheelchair in the user situation concerned.
- Not more than one person at a time can be seated in the wheelchair.
- Do not allow children to ride in the wheelchair unsupervised.

⚠ CAUTION!

- The user of the wheelchair is at all times completely responsible for complying with the applicable local safety regulations and guidelines.

Attendants

When an Attendant Control Module is fitted, the Power Wheelchair may be operated by an assistant on behalf of the user.

When a Dual Control Module is fitted the Power Wheelchair may be operated by the user, or control may be switched to an assistant to operate on behalf of the user.

- Make sure you heed all warnings and follow all instructions in each section of this manual. Warnings that apply to the user also apply to you.
- Do not stand or sit on any portion of this seating system.
- You need to work with the user, and the user's doctor, nurse or therapist, to develop safe methods best suited to your abilities and those of the user.
- Check to make sure push handle grips will not rotate or slip off.
- Make sure you always have comfortable access to the attendant controls while the chair is moving and make sure that the controller is fixed securely to the chair.
- Set the speed of the attendant control to a speed that you can comfortably follow.
- Always turn off the power to the controller when leaving the user in the chair.

3.2 Area of application: The user environment

This wheelchair has been designed to accommodate both indoor and outdoor use (EN12184 (2014) Class B). When driving the wheelchair outdoors, drive only on paved roads, pavements, footpaths and bicycle paths. The speed must be adapted to suit the environment.

⚠ WARNING!

- Drive carefully on slippery roads resulting from rain, ice or snow!
- You are required to turn on the lights in case of limited visibility.
- When driving at higher speeds you must be extra careful. Select a lower maximum speed indoors, on the pavement and in pedestrian areas.
- Do not drive off high obstacles.
- Do not attach a weight to the wheelchair without the approval of a qualified specialist. This may negatively affect the stability of the product.

⚠ CAUTION!

- Prevent the wheelchair from coming into contact with sea water: sea water is caustic and may damage the wheelchair.
- Prevent the wheelchair from coming into contact with sand: sand can permeate into the moving parts of the wheelchair, causing extensive wear on these parts.
- Do not use the wheelchair if temperatures are below: -25°C or above $+50^{\circ}\text{C}$.
- Do not open doors using the leg rests.
- Do not push and/or tow any objects with the wheelchair.
- Do not drive through puddles of water.

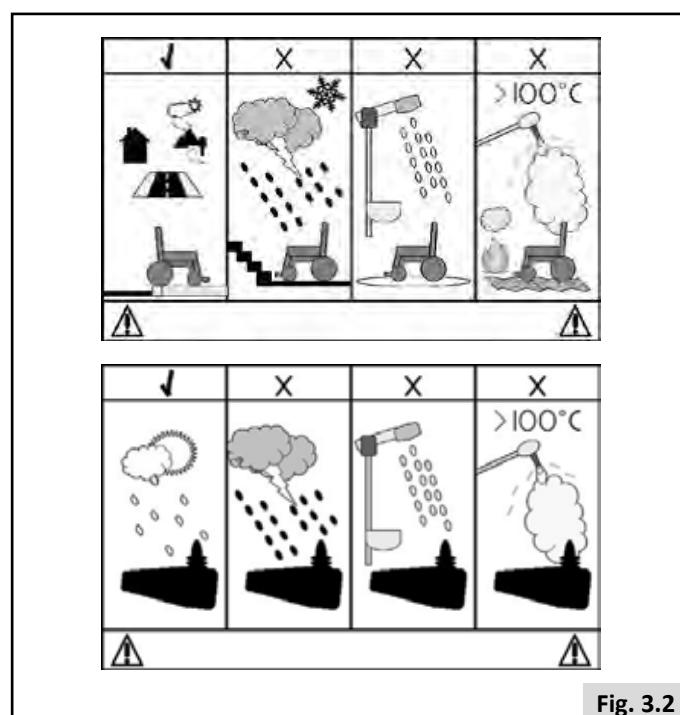



Fig. 3.2

4.0 Setting up the wheelchair

Sunrise Medical wheelchairs can be adjusted according to specific needs of the user.

In this, we make a distinction between wheelchair settings and wheelchair seating adjustment options. Settings are carried out once, the first time the wheelchair is going to be used. They must be executed by qualified specialist, unless explicitly stated otherwise. Seating adjustment options can be carried out by the user. These adjustment options do not require the use of tools.

4.1 Seating system

The extensive settings with respect to the seating system allow for optimum support of the body ( Seating system). The following setting options are possible:

1. Seat depth and seat width
2. Backrest angle
3. Armrest height/width
4. Lower leg length
5. Angle of the footplate
6. Legrest angle

4.2 Seat height

Depending on the specific circumstances of the user of the wheelchair the seat height can be set. Every optional seat height lies within the maximum safe slope as described in EN12184 (2014) Class B. Lowering the seat height has a positive influence on the (dynamic) stability.



WARNING!

Increasing the seat height has a negative effect on dynamic stability.


4.3 Centre of gravity



DANGER!

Adjusting the centre of gravity on a powered wheelchair is both physically demanding and safety critical. Sunrise Medical recommends that this adjustment is only performed by a service agent/dealer approved by Sunrise Medical.

4.4 Controller height and depth

( Seating system).

4.5 Control system programme

This wheelchair is equipped with a control system that can be programmed by adjusting settings within the system. This is a specialized job that needs training and can only be adjusted with professional software. The end user is not allowed to adjust these settings.



DANGER!

The incorrect setting of the parameters for the control system may result in very dangerous situations. Settings must be made by qualified specialists.

5.0 Using the wheelchair

DANGER!

- Be aware that you may need to adjust the controller settings of your system.
- Consult your authorised dealer to adjust the control settings immediately if you notice any change in your ability to:

1. Control the joystick
2. Hold your torso erect
3. Avoid running into objects.

5.1 Checking wheelchair before use


Perform the following daily check routine before driving:

CAUTION!


Checking wheels & tyres

- Are the tyres sufficiently inflated (Chapter 8.2).

Checking batteries

- Before using your vehicle for the very first time, please charge your batteries for a period of 24 hours.
- Are the batteries sufficiently charged? The green lights on the battery indicator must be on.  Controller

Checking lights and indicators

- Ensure that the lights and indicators are functioning correctly and lens are clean before going outdoors at night.  Controller

Checking remote

- With the control system switched off, check that the joystick is not bent or damaged and that it returns to the centre when you push and release it.

Checking free wheel lever

- Ensure that the free wheel lever has been set to 'drive'. (Chapter 5.8).

Checking seating

- Ensure that all the cushions are in place.
- Make sure that the backrest is correctly fitted and adjusted.
- Visually inspect the wheelchair to make sure the leg rests, armrests etc. are correctly positioned and attached to the wheelchair and all fasteners are sufficiently tightened.
- Ensure that the seat interface knobs are tight and secure.

Checking clothing on potential entrapment

- When operating the wheelchair, ensure that your clothing does not hamper the wheelchair (i.e. too long). Before use, always check if your clothing or accessories do not come into contact with the wheels or and other moving and/or rotating parts in which they could become entangled.

Checking weather conditions

- In winter, batteries have a reduced capacity. During a period of light frost, the capacity is roughly 75% of the normal capacity. At temperatures below -5°C this will be roughly 50%. This will reduce your range of action.

5.2 Making a transfer


Sunrise Medical recommend that you consult your healthcare professional for assistance in developing your personal front or side transfer technique to best suit your needs and avoid any personal injury.

Preparing for a forward transfer:



DANGER!

It is dangerous to transfer on your own. It requires good balance and agility. Be aware that there is a point during every transfer when the seating system seat is not below you.


For further instructions and warnings about making a transfer, please refer to  Seating system.

5.3 Driving the wheelchair



WARNING

- The user of the wheelchair is at all times completely responsible for complying with the applicable local safety regulations and guidelines.

Powered wheelchairs are driven by means of a controller. There is a separate user manual for the controller and this was included with this wheelchair ( Controller).

1. Switch on the controller.
2. Set the maximum speed limit.
3. Move the joystick in the direction in which you would like to go.
4. Moving the joystick even further forwards will cause the wheelchair to drive faster.

Rear view mirror



WARNING

- To avoid injury to people around you please be aware that the mirror protrudes outside the space envelope of the chair and could cause injury to someone when driving past.
- The mirror must be used on models at speeds over 6 kph on roads according to local law.
- Always make sure that when using the mirror that it is clean and unbroken so that it does not impair your visibility.

Road use

Please show the utmost consideration for the other traffic on the road.

DANGER!

- Remember that the last thing a car or lorry driver expects to see is a wheelchair backing off the kerb into the road.
- If in any doubt, do not risk crossing the road until you are certain that it is safe.
- Always cross the road as quickly as possible, there may be other traffic.
- Do not drive over anything that could cause punctures in the tyres.
- Ensure that there are no objects in your path that could possibly become lodged in your chair mechanism or in the spokes of the rear wheels. This could cause the chair to come to a sudden stop.
- Riding over drains or grids could cause the wheelchair castors or wheels to become lodged, causing the chair to come to a sudden stop.

Adverse conditions:

Please be aware that when driving your wheelchair in adverse conditions, e.g. on wet grass, mud, ice, snow or other slippery surfaces, you may experience a reduction in the grip and traction of your wheelchair.

DANGER!

- We recommend you take extra precautions in these conditions, particularly on hills and slopes; your wheelchair could become unstable or skid causing possible injury.
- When you are using a Powered Wheelchair take extra care with loose or long items of clothing. Moving parts, such as wheels, can be potentially dangerous or even fatal if clothing becomes entangled.

NOTE :

Extreme variances in temperature may trigger the self protect mechanism in the control system. If this occurs the control system will temporarily shut down to prevent damage to the electronics or the wheelchair.

5.4 Curves

DANGER!

Full speed turns should not be attempted. If you need to turn sharply you must reduce your speed with the joystick or speed setting. This is particularly important when travelling across or down a slope. Disregarding this advice could lead to your wheelchair tipping over.

WARNING!

Use indicators when changing direction.

5.5 Braking & Emergency stop

There are three ways to stop your wheelchair:

- Simplest and safest way to stop the wheelchair is to release the joystick. This will bring the chair to a halt in a controlled manner.
- Pulling back the joystick will break the chair abruptly with a fast stop.
- Switching the control system off whilst the chair is in motion will also bring the chair to a halt.

WARNING!

- Switching the control system off is only to be used in an emergency situation as the stopping action is very abrupt.
- Never try to stop or slow this seating system with the wheel locks (if applicable). Wheel locks are designed to prevent the system from moving when stopped. They are not brakes.

5.6 Driving on a slope

Your wheelchair has been designed and tested to allow its use on slopes or gradients of up to:

Q700 M: 10° (17.6%) in standard configuration.

Q700 F: 8° (14%) in standard configuration.

Q700 R: 10° (17.6%) in standard configuration.

However, you have the option of adjusting your position with the seat elevator, tilt in space, powered recline or powered centre mount leg rest or a combination of these options.

DANGER!

- Elevating, tilting and leg rest adjustments can affect the wheelchair centre of gravity. Under certain conditions this might cause instability that could lead to unintentional tipping. It may be necessary to carry out a risk assessment if the wheelchair is adjusted to extremes.
- Stopping distances on slopes can be significantly longer than on level ground.

DANGER!

- In certain circumstances your wheelchair could become unstable.
- Before attempting to climb or descend a slope or a kerb, caution should be taken when using weight shift options (e.g. powered, recline or standing), of the seat and/or your body for a counter balance weight.
- To improve stability lean forward when driving uphill, with the seat and back in an upright position.
- Alternatively sit in an upright position when travelling in a forward, downhill direction or and/or recline the seat backwards.
- We strongly recommend that you return the seat and back to their home positions before attempting to climb or descend a slope. Failure to do this may cause the wheelchair to become unstable.
- If you are in any doubt about the capabilities of your wheelchair on a slope then do not attempt to drive up or down the slope/kerb; try to find an alternative route.

Gradients: ascents:

WARNING!

- When going uphill, keep the chair moving.
- Steer by carefully moving the joystick forwards making slight Left and Right adjustments as you go.
- If you have stopped on a hill, you should start slowly.
- If necessary lean forward.

Gradients: descents:

On descents, it is important not to let the wheelchair accelerate beyond its normal level of ground speed.

DANGER!

- Proceed slowly down steep descents, (below the speed of 5kph) and stop if you feel anxious.
- If the chair picks up speed, centre the joystick to its home position to allow it to slow, or to stop.
- Restart slowly and do not allow the speed to increase above what you are comfortable with.

NOTE:

- The controller has the benefit of a logic system that will help compensate when driving along a camber or up a hill. This is an added safety feature on your wheelchair. In addition of course, you may control the wheelchair speed by using the speed control.

5.7 Obstacles & kerbs:



DANGER!

- Never descend a kerb backwards.
- Do not attempt to climb or descend a series of steps or use on escalators. It is unsafe to do so and could cause personal injury or damage the chair. This wheelchair has only been designed to climb a single step or kerb.
- We recommend that users with upper trunk instability wear restraint systems to keep the upright body position during descending or ascending ramps, kerbs or obstacles.

Kerb climbing:

Always approach a kerb at 90° (Fig. 5.5).

- Approach the kerb or step, head on at a 90° angle.
- Drive forwards slowly and steadily.
- Stop the chair as soon as the castor wheels touch the kerb.
- Apply sufficient power to the motors to lift the front of the chair up onto the kerb or step and then apply slightly more power until the drive wheels climb the kerb or step smoothly.
- As far as possible, keep the joystick in the straight forward position.

The maximum obstacle or kerb climbing height is:

- Q700 M: 100 mm.
- Q700 F: 70 mm.
- Q700 R: 80 mm.
- Q700 R + kerbclimber: 100 mm.

The approach speed and process can vary depending on your wheelchair drive type and castor wheel choice.

Dismounting the kerb.



DANGER!

Move the chair slowly and carefully in a forward direction until both front wheels are on the edge of the kerb, again in a 90° position to the kerb. (Fig. 5.3).

Drive as slowly as possible off the kerb with the drive wheels. Don't stop the chair during descent of the kerb. You will feel more secure if you can lean backwards, but if you can't, don't worry, the wheelchair is stable. As long as you stay within its limitation, you will be quite safe.

All powered seating options need to be in home position. Your powered leg rests may need to be adjusted to give enough clearance to mount or dismount the kerb.

We recommend to use the lap strap to feel more secure during declining the kerb. For extra protection we recommend to fit every chair with the leg rests.

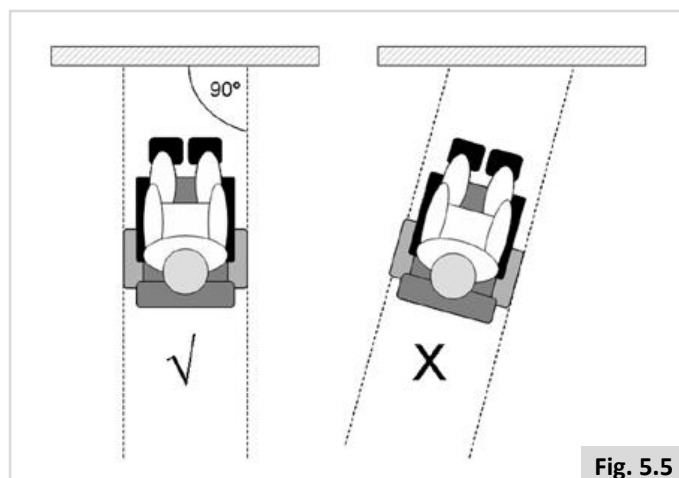


Fig. 5.5

5.8 Pushing the wheelchair

The wheelchair can be moved by pushing. In order to do so, the motors must be disengaged using a freewheel lever. This feature was developed for the attendants of wheelchair users and also functions as an emergency freewheel lever.

The freewheel lever has 2 positions

1. For driving the wheelchair. (Fig. 5.6).

'Drive' position: Turn the lever so that the lever at the drive wheel side is pointing upwards.

2. For disengaging the motors. (Fig. 5.7 - Fig.5.8).

'Push' position: Turn the lever so that the lever at the drive wheel side is pointing downwards.

DANGER!

- The free wheel lever should only be operated by the attendant and never by the user.
- A user may never be left unattended while the wheelchair is in 'push'.
- Never set the lever to the 'push' position on a slope! When the freewheel lever is set to 'push', the automatic parking brake is deactivated. This makes it possible for the wheelchair to roll down the slope.
- The automatic parking brake only works is the lever is set to 'drive' position.
- When the wheelchair is no longer being pushed, the freewheel lever should be set to 'drive' immediately.
- To manually push the system you must release the motor brakes.
- Do not engage or disengage motor brakes unless power to the system is off.
- Make sure you have full control over the system when you release the motor brakes. When you do so the system will not have brakes.
- Make sure the system is on level ground before you release the motor brakes.
- Propel this system by the push handles only. They provide secure points for you to hold the rear of the system to prevent a fall or tip-over.
- Check to make sure push handle grips will not rotate or slip off.

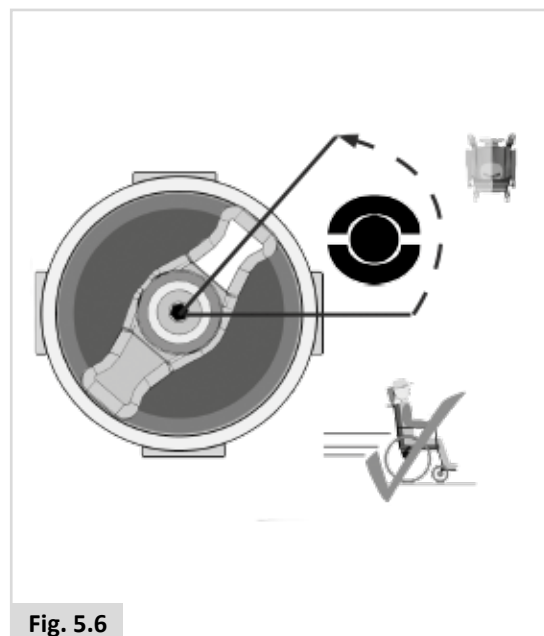


Fig. 5.6

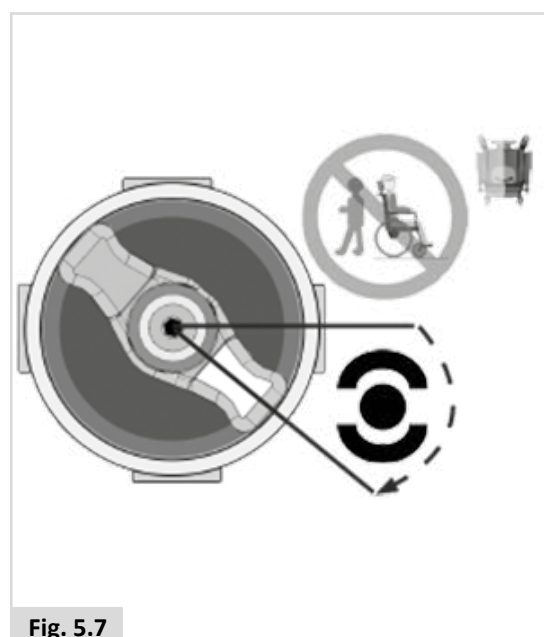


Fig. 5.7

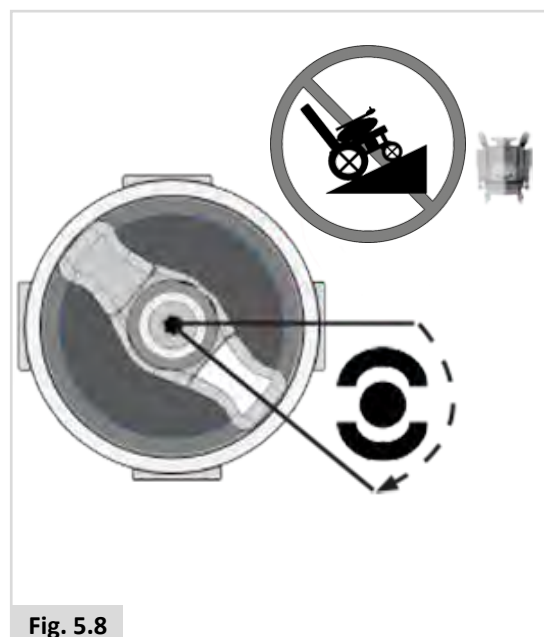




Fig. 5.8

5.9 (Powered) seating options

The wheelchair can be equipped by the following mechanical and/or powered options to adjust your seating position. These options can be operated by the user without the use of tools.

Powered adjustable seating options (Fig.5.9 - Fig.5.11).

How to operate these powered seating options can be found in  Controller +  Seating:

1. Powered tilt function
2. Powered seat elevator
3. Powered backrest recline
4. Powered elevating leg rests

DANGER!

- Use of the powered adjustable seating options may influence the stability of the wheelchair.
- Only use the powered adjustable seating options when the wheelchair is on a flat surface! Do Not attempt to operate any power seating option while positioned on an incline.
- Please stay clear of any powered actuator while the component is in motion. Sunrise power mechanisms move over large ranges of travel. Users should be aware of their surroundings while components are in motion.
- While driving this seating system in the reclined, elevated, or tilted position use caution.
- Do Not attempt to operate any power seating option while this seating system is in motion.
- Do not attempt to operate the lift or tilt power seating options around children.
- Through programming it is possible to reverse the direction of all powered seating functions, ensure you know which direction your seat is going to move before operating.
- Please be aware that the lift/tilt modules present a trap hazard. Make sure that during operation the lift/tilt modules are free from all clothing, hands, feet and other extremities, to prevent injury.
- Do not drive on ramps or slopes with the seating in the elevated position. Before attempting to climb or descend a slope, return the wheelchair to a standard seated drive position, with the backrest upright.
- This power system is designed to automatically reduce the maximum driving speed to a creep mode or stop when certain power seating limits are reached. Depending on the configuration of the chair there might be multiple creep speeds.

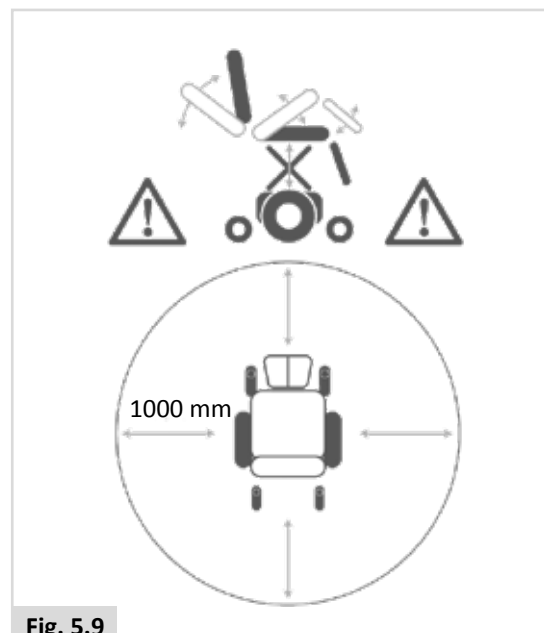


Fig. 5.9



Fig. 5.10

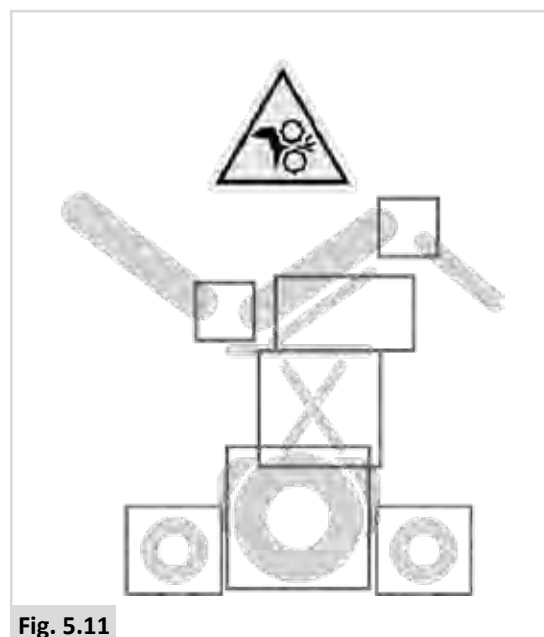


Fig. 5.11

5.10 Seat Memory Position (Sedeo Ergo only)

The control system on the Q700 M/F/R has 4 predefined seat memory positions. Each memory location has a set of factory seat positioning presets:

1. Relax function.
2. Lie down function.
3. Seat function

There is a 4th Memory position (Custom Position) that can be used as a customized seat position. The Seat actuators are all working with a feedback system to track their positions and movements.

This is important:

- a. to reach the required memory position.
- b. to prevent mechanical clashes of the seat.
- c. to operate the actuators especially towards the memory positions in an ergonomic, smooth and safe way.

Although there is one free programmable seat Memory position, all predefined Memory positions, if not suitable for the user, can be changed and customized to the needs required.

The software takes into account the range of the available mechanical movements and also all safety aspects.

Seat function:

The seat function as described in no.3 in the text above is a predefined 'standard' seat position.

It also creates the possibility to always return to this 'standard' seat position when you are using other memory positions (Relax or Lie down). This can be achieved by pulling the joystick backwards.

6.0 Batteries, charging and range

6.1 Batteries

Batteries are the power source for almost all of the modern mobility products available today. The design of batteries used in mobility products is significantly different to the batteries used to start a car for example. Car batteries are designed to release a large amount of power over a short period of time, whilst mobility batteries (commonly called deep cycle batteries) release their power evenly, over a long period of time. Therefore, due to the lower production volumes and increased technological requirements, mobility batteries are typically more expensive.

Commonly two 12 volt batteries are used together in a mobility product, giving a total voltage of 24 volts. The size of the battery (e.g. its available power) is expressed in amps per hour e.g. 70amp/hr. The higher the number, the bigger the battery size, weight and, potentially, the greater the distance you can travel. Sunrise Medical only fit as standard maintenance free batteries into these types of wheelchairs. This type of battery uses a method of carrying the electrolyte commonly referred to as 'gel', that is held within the battery case. As the name implies, no maintenance is required other than regular charging. You can safely transport this type of battery without fear of acid spilling. **Furthermore, they are approved for transportation on aircraft, trains and ships.**

CAUTION!

- Do not fit car batteries to the wheelchair. Fit only deep cycle, maintenance free mobility batteries.
- When the batteries are worn out, take them to the local authority disposal point.
- Do not expose any part of the battery to direct heat (i.e. naked flame, gas fire).
- Be extra cautious to reduce the risk of dropping a metal tool onto the battery. It could spark or short circuit the battery or other electrical parts that may cause an explosion. Also take off all personal metal effects and dangling objects when working on the battery.
- Return the batteries back to Sunrise Medical or directly to the battery manufacturer for recycling, when they no longer hold charge.
- The battery terminals need to be checked regularly for signs of corrosion. If any corrosion is apparent, then clean the terminals completely and re-grease the terminal using Vaseline petroleum jelly, not ordinary grease. Ensure that the terminal nut and bolt, cable clip and exposed cable are completely covered with jelly.

DANGER!

- Do not expose any part of the battery to direct heat (i.e. naked flame, gas fire).
- Be extra cautious to reduce the risk of dropping a metal tool onto the battery. It could spark or short circuit the battery or other electrical parts that may cause an explosion. Also take off all personal metal effects and dangling objects when working on the battery.

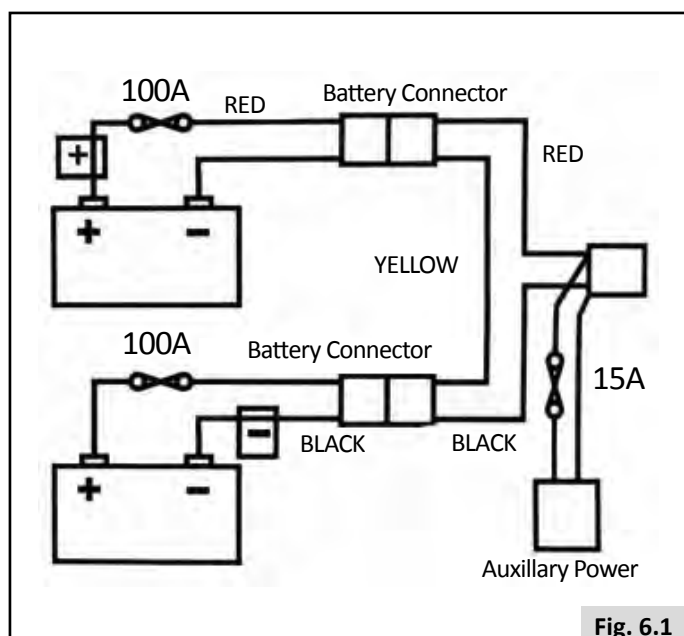


Fig. 6.1

! DANGER!

- Do not, under any circumstances, tamper with the batteries. If in any doubt contact your local Sunrise Medical authorised dealer.
- Avoid contact with acid on damaged sealed type batteries or wet batteries.
- Battery acid can cause burns to the skin as well as damage to floors, furniture and your wheelchair.
- If battery acid comes into contact with the skin or clothing, wash immediately with soap and water.
- If battery acid comes into contact with the eye, immediately flood the eye with running cold water for at least 10 minutes and seek medical attention immediately.
- Acid spills can be neutralised with baking soda and water.
- Take care to keep batteries upright at all times, especially when transporting your wheelchair.

Safety cut-outs

In the event of a short circuit there are several safety systems built into your wheelchair to safeguard your electrical circuits, (Fig. 6.1).

1. Fusible 100A links are connected into the battery harnesses to protect the batteries and wiring.
2. 15A auxiliary power circuit fuses for auxiliary modules and seating power supply.

To replace them contact your Sunrise Medical authorised dealer, who will also diagnose the original fault.

6.2 Charging batteries:

Battery charger: Please read the owner's manual with the charger supplied carefully. The general procedures and effects for the interference with the chair and the batteries remain valid.



Battery care plan


Below is set out a battery care plan for maintenance free batteries. This has been agreed between Sunrise Medical and the battery manufacturers, to enable you to get the best out of your batteries. If a different care plan is followed, this may result in lower than expected performance from your mobility vehicle.

- Only use an approved Sunrise Medical charger compatible with the vehicle to be charged.
- Charge your batteries every night, regardless of the amount of use your mobility device has had during the day.
- Do not interrupt the charging cycle.
- If your mobility device is not required for use, it should remain connected to the charger until required. This will not damage your batteries, as long as the mains socket/plug is left switched on. Turning the mains socket/plug off, but leaving the mains cable plugged in will eventually deplete your battery charge.
- If you leave your vehicle for an extended period (more than 15 days) charge the batteries fully and then disconnect the main battery lead.
- Failure to allow for recharge will damage the batteries and can lead to shortened distances and premature failure.
- Do not top up the charge of your batteries during the day. Wait until the evening for a full overnight charge.
- As a general rule, maintenance free batteries take longer to fully charge than "wet" lead acid batteries.
- The battery terminals need to be checked regularly for signs of corrosion. If any corrosion is apparent, then clean the terminals completely and re-grease the terminal using Vaseline petroleum jelly, not ordinary grease. Ensure that the terminal nut and bolt, cable clip and exposed cable are completely covered with jelly.
- Following all the points above should result in a healthier battery, greater range for the vehicle user and a longer life for your batteries.

Connecting the battery charger

Procedure for connecting the charger and charging

- Switch off the wheelchair controller.  Controller:
- Connect the battery charger round output plug to the charging socket on the front of the joystick module.  Controller:
- Connect the charger to the mains supply by means of the mains plug and switch on.

For more information about the charger operation, consult the instructions provided with the charger.  BATTERY CHARGER. Depending on how depleted the batteries are, it may take up to 12 hours to fully charge the batteries again.

DANGER!

- Make sure the cord is located so that it will not be stepped on, tripped over or otherwise subjected to damage or stress.
- Do not rest a battery on top of the charger.
- Do not stand the charger on a carpet or other soft surface. Always place it on a hard flat surface.
- Do not operate the charger if it has received a sharp blow, been dropped or otherwise damaged in any way. Take it to a qualified technician.
- Never place the charger directly above the battery being charged; gases from the battery will corrode and damage the charger.
- Never charge a frozen battery. A fully charged battery will rarely freeze but the electrolyte of a discharged battery can freeze at -9° Centigrade. Any battery that is suspected of being frozen should be thawed completely before charging.
- Never sit with the charger on your lap when charging your batteries
- The charger casing will get hot during its normal operation.
- Do not disassemble charger; only have it repaired by the manufacturers. Incorrect re-assembly may result in a risk of electric shock or fire.
- To reduce the risk of an electric shock, unplug the charger from the outlet before attempting any maintenance or cleaning. Turning off the controls will not reduce the risk.
- Never smoke or allow a spark or flame in the vicinity of battery or charger.
- You should not charge your batteries in outdoor conditions.
- It is advised to use a smoke detector in the charging area.

Battery Charger

The external charger has been designed to charge two 12V Gel type batteries connected in series (= 24 V).

The chargers have features which prevent hazards or accidents occurring as a result of connecting batteries the wrong way round, overheating caused by fault conditions or attempting to charge wrong voltage batteries.

The majority of charger sizes are electrically double insulated and no earth connection is required. Some larger sizes may be electrically earthed and this will be clearly stated on the label.

If your charger has been specified for use in Continental Europe it will contain a European two pin plug which does not have a fuse. In this case the fuse is located in the fascia panel of the charger.

Country specific information: UK

The 3 pin UK mains input plug contains a replaceable fuse. The rating of this fuse is shown on the charger label.

DANGER!

- As with all mains powered electrical equipment, always replace blown fuses with the same type and size of fuse as specified.
- Fitting of different fuses can result in an increased fire risk, damage to the charger or failure of the charger to operate properly.

6.3 The range of your vehicle:

Please refer to the specification tables at the back of this manual for Energy Consumption, (Maximum Range), information.

Most manufacturers of mobility products state the range of their vehicles either in the sales literature or within the Owner's Manual. The range stated sometimes differs from manufacturer to manufacturer even though the battery size is the same. Sunrise Medical measure the range of their vehicles in a consistent and uniform manner, but variances still occur due to motor efficiencies and overall product load weight.

The range figures are calculated to I.S.O. Standard 7176. Part 4: Wheelchair Energy Consumption Theoretical Range.

This test is carried out in controlled conditions with new, fully charged batteries, on a level test surface and a user weight of 100 kg. The range figures stated should be seen as a theoretical maximum and could be reduced if any single, or combination, of the following circumstances occur:

- User weight heavier than 100 kg.
- Batteries whose age and condition are less than perfect.
- The terrain is difficult e.g. very hilly, sloping, muddy ground, gravel, grass, snow and ice.
- The vehicle climbs kerbs regularly.
- The ambient temperature is very hot or very cold.
- Incorrect tyre pressures in one or more tyres.
- Lots of start/stop driving.
- Also thick pile carpets within the home can affect range.
- Use of additional power consumption options (e.g. light, actuators, etc.)

The battery sizes available on each Sunrise Medical product should give sufficient range to cope with the majority of customer's lifestyles.

6.4 Battery warranty:

Battery warranties are subject to periods set by the manufacturers. However, most of these warranties are subject to a wear and tear clause, and if you genuinely wear out your batteries in 6 months, it will not be possible to obtain a replacement under warranty.

6.5 Replacing batteries

The wheelchair uses two 12V non-spillable 'dry' gel batteries in series, these batteries are fully sealed and require no maintenance.

Replacing and servicing batteries is to be done by qualified specialist.

In case of malfunctioning batteries, contact your local dealer.

⚠ DANGER!

- Do not attempt to replace or service batteries without the supervision of trained and qualified personnel.

6.6 Disconnecting batteries for air transport.

The batteries are contained within the drive unit located under the battery shroud.

To disconnect the batteries:

- Release the two handle screws under the front of the seat frame, that connect the seat frame with the seat module interface, (Fig.6.2).
- Flip the seat frame backwards (Fig.6.3).
- Ensure the seat is secured with the seat stay in place, before letting go, (Fig.6.4 - A).
- Lift off the battery box lid, (Fig. 6.4 - B).
- Disconnect the 2 pin Anderson connectors from each battery (Fig.6.5).

To reconnect the batteries reverse the above procedure.

⚠ WARNING:

Removing the batteries can lead to a change of the center point of gravity. The result may be that the chair flips backwards without the weight of the batteries. Sunrise advises to:

- Putting an obstacle behind the chair to secure the situation. This can be a chest, or a chair, or etc.
- Try to lift the battery slightly first to check the effect of taking out the weight.

Fig. 6.2

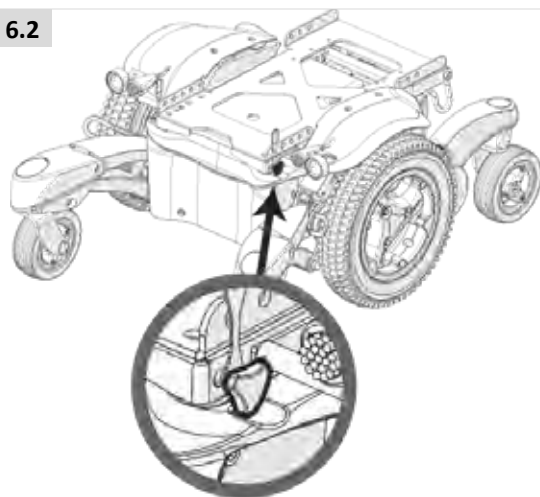


Fig. 6.3



Fig. 6.4

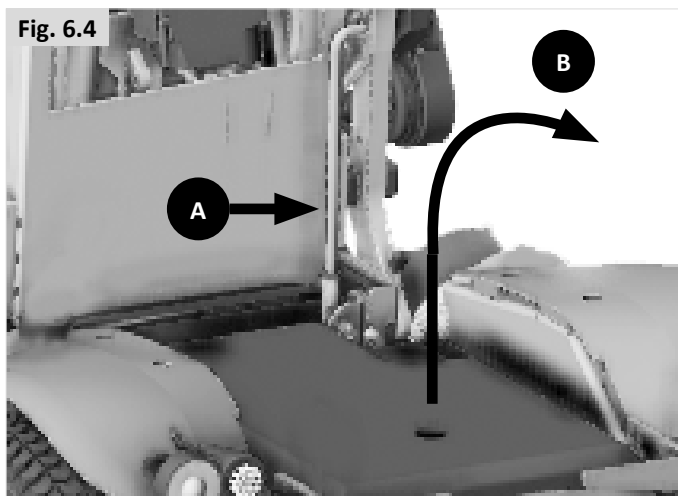
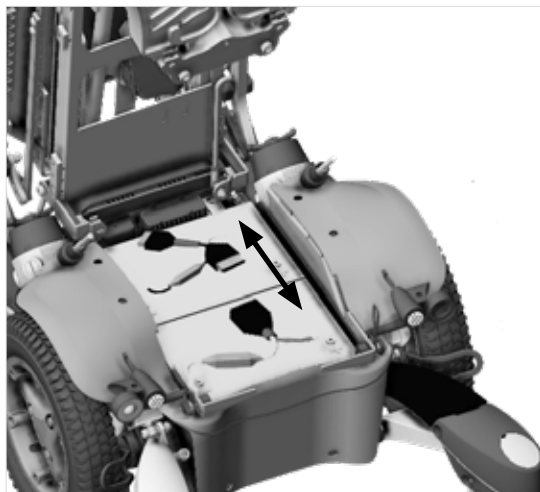


Fig. 6.5



To disconnect the batteries on Front and Rear-wheel drive:

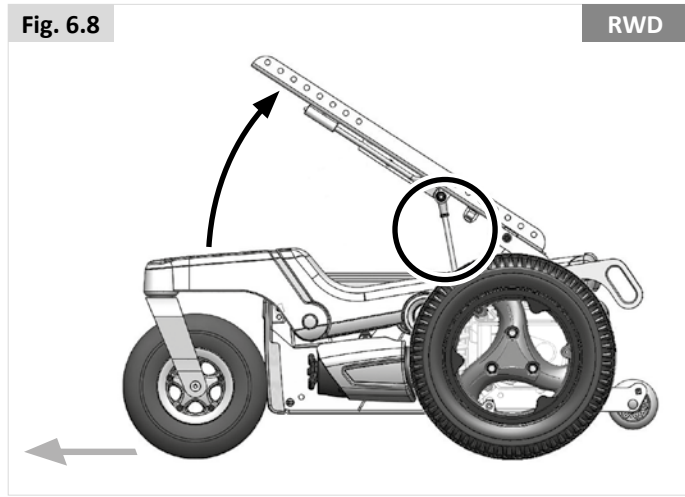
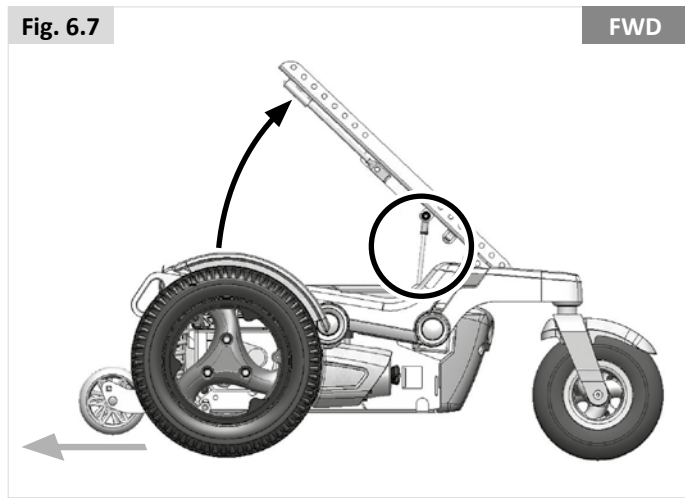
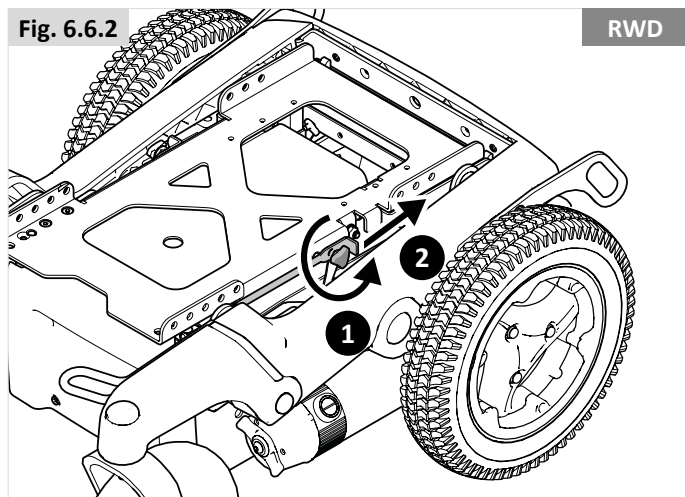
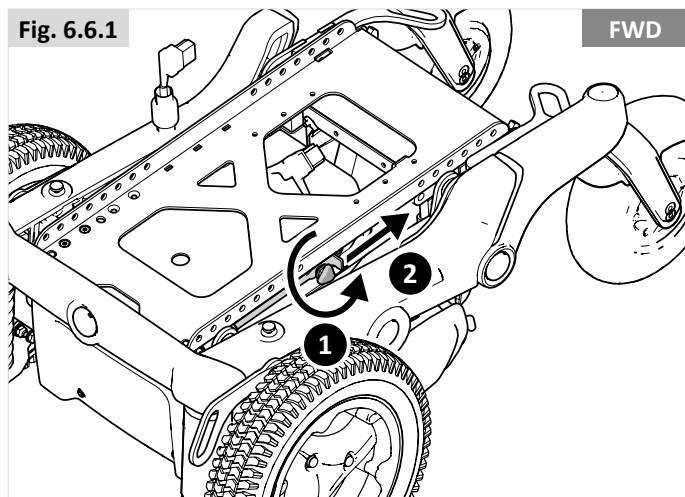
- Release the two handle screws under the mid of the seat frame, that connect the seat frame with the seat module interface (step 1) and release the lever (step 2) (Fig.6.6.1 - 6.6.2).
- Flip the seat frame backwards (Fig.6.3).
- Ensure the seat is secured with the seat stay in place, before letting go, (Fig.6.7 Front - Fig.6.8 Rear).
- Lift off the battery box lid, (Fig. 6.4 - B).
- Disconnect the 2 pin Anderson connectors from each battery (Fig.6.5).

To reconnect the batteries reverse the above procedure.

⚠ WARNING:

Removing the batteries can lead to a change of the center point of gravity. The result may be that the chair flips backwards without the weight of the batteries. Sunrise advises to:

- Putting an obstacle behind the chair to secure the situation. This can be a chest, or a chair, or etc.
- Try to lift the battery slightly first to check the effect of taking out the weight.



7.0 Transportation

7.1 Transport of the wheelchair in a car

Getting in and out of the vehicle

DANGER!

- Confirm that the vehicle is suitably equipped to transport a passenger in a wheelchair, and ensure the method of access/egress is suitable for your wheelchair type. The vehicle should have the floor strength to take the combined weight of the occupant, the wheelchair and accessories.
- Use a ramp (or lifting device) suitable for the entire weight of the wheelchair (including user) for entering the vehicle.
- The wheelchair should be secured in a forward facing direction. This wheelchair is approved for use in cars and meets the requirements for forward facing transport and head on collisions. The wheelchair has not been tested for other positions in a vehicle (Fig. 7.1).

CAUTION!

- Sufficient space should be available around the wheelchair to enable clear access to attach, tighten and release the wheelchair and occupant tie down restraints and safety belts.
- Ease of access to, and manoeuvrability in, motor vehicles can be significantly affected by wheelchair size and turning radius; smaller wheelchairs and/ or wheelchairs with a shorter turning radius will generally provide greater ease of vehicle access and manoeuvrability to a forward-facing position.

Securing the wheelchair with a strap restraint system

This wheelchair has been successfully crash tested in accordance to: ISO 7176-19:2008, using a representing restraint system.

- Secured with a 6-point strap restraint system (2 in the front, 4 in the back, Fig.7.2), that conforms to:
 - i. ISO 10542 (international) or
 - ii. SAE J2249 (USA).

NOTE: Wheelchair secured with a 6-point strap restraint system; suitable for the total weight of the wheelchair (including any options) in accordance with the WTORS1) manufacturers instruction.

Terminology explained:

1) WTORS: *Wheelchair Tie-down Occupant Restraint System*

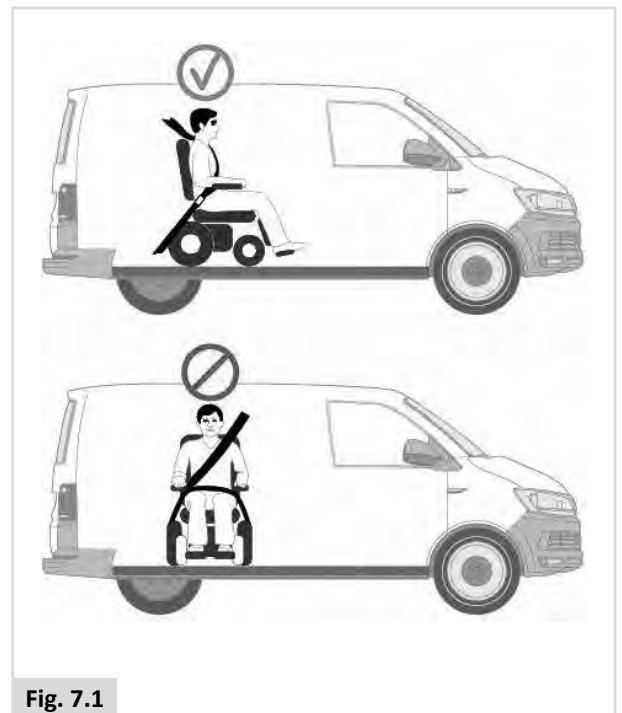


Fig. 7.1

⚠ DANGER!

- The wheelchair can only be secured by using the tie-down points on the wheelchair's frame (Fig. 7.3).
- The tie-down points (2 in the front, 2 in the back) are indicated by the tie-down symbol (Fig. 7.2). Fit the front straps first, then the rear. Tension the straps to secure the wheelchair. The wheelchair may not be secured onto any accessories (wishbones, armrests, anti-tip brackets etc.).
- No changes or replacements must be made to the anchorage points/car fastenings on the wheelchair, or to constructional elements or parts of the frame without consulting the manufacturer.
- When the wheelchair is transported in a vehicle without occupant and no restraint system is available then the wheelchair should be properly stored and secured in the cargo area during travel.

Fig. 7.2

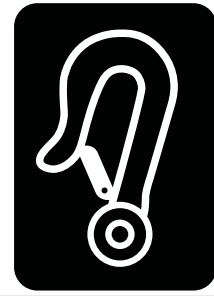
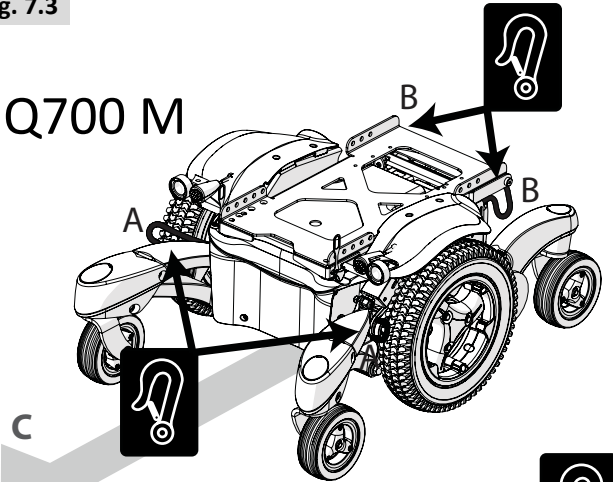
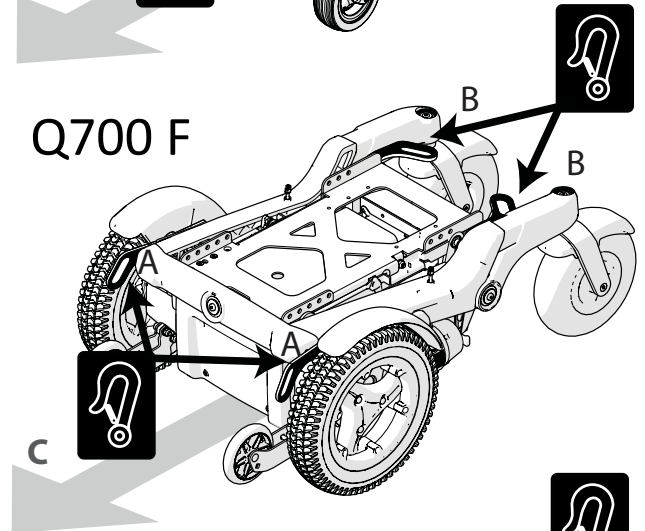


Fig. 7.3

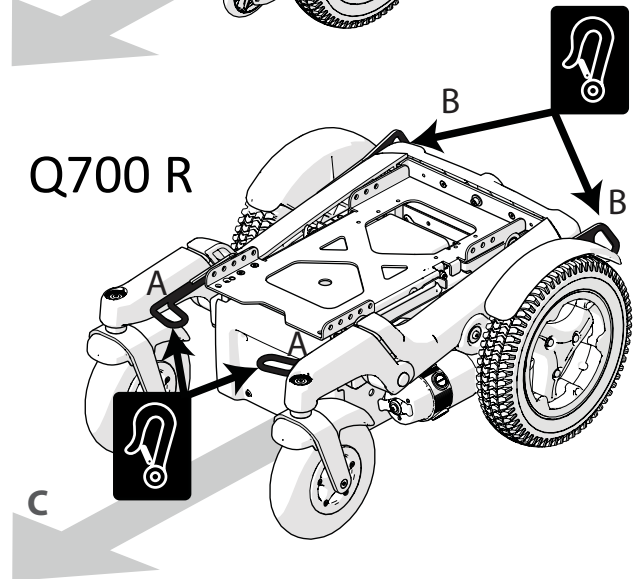
Q700 M



Q700 F



Q700 R



- A** Front Tie Down Points.
- B** Rear Tie Down Points.
- C** Direction of Travel.

7.2 The wheelchair as a passenger seat

A wheelchair secured in a vehicle will not provide the equivalent level of safety and security as a vehicle seating system. Sunrise Medical recommends that the user transfers to the vehicle seating and uses the vehicle-installed restraint system wherever possible. Sunrise Medical recognizes that it is not always practical for the user to be transferred and in these circumstances, where the user must be transported whilst in the wheelchair, the following advice must be followed:

DANGER!

- The safety of the user during transportation depends upon the diligence of the person securing the tie down restraints and they should have received appropriate instructions and/or training in their use.
- Wherever possible remove and stow safely away from the wheelchair all auxiliary equipment, e.g. : crutches, loose cushions, tray tables, etc.
 - i. Removed and secured separately in the vehicle, or
 - ii. Secured to the wheelchair, but with energy-absorbing padding placed between the table and the user.
- Articulating/elevating leg rest should not be used in the elevated position when the wheelchair and user are being transported.
- If applicable: Reclining backrests should be returned to an upright position.
- If applicable: Seat elevators should be in the lowest position.
- If applicable: The manual brakes must be firmly applied.

Occupant restraint Instruction

DANGER!

- Use a 3-point occupant restraint system to secure the occupant.
- Both pelvic and upper torso restraint belts must be used to restrain the occupant to reduce the possibility of head and chest impacts with the vehicle components.
- Restraints should be mounted to the appropriate vehicle pillar and should not be held away from the body by wheelchair components such as armrest or wheels (Fig. 7.4).
- Use a suitable positioned headrest when being transported in a wheelchair.
- Postural supports (lap straps, lap belts) should not be used or relied on for occupant restraint in a moving vehicle unless they are labelled as meeting the requirements specified in ISO 7176-19:2008 or SAE J2249.

Positioning the occupant restraint

DANGER!

- The pelvic restraint belt must be worn low across the front of the pelvis so that the angle of the pelvic belt is within the preferred zone of 30° to 75° to the horizontal.
- A steeper (greater) angle within the preferred zone is desirable i.e. closer to, but never exceeding 75° degrees (Fig. 7.5).
 - i. The upper torso restraint belt must fit over the shoulder and across the chest as illustrated (Fig. 7.5). Restraint belts must be adjusted as tightly as possible consistent with user comfort.
- Restraint belt webbing must not be twisted when in use.
- Care should be taken when applying the occupant restraint to position the seatbelt buckle so that the release button will not be contacted by wheelchair components during a crash.

Passenger with a user weight < 22 kg.

When the user being transported is a child, less than 22 kg mass and the vehicle involved has less than eight (8) seated passengers it is recommended that they be transferred to an UNCE Regulation 44 compliant child restraint system (CRS). This type of restraint system provides a more effective occupant restraint system than the conventional 3 point occupant restraint system and some CRS systems also include additional postural supports to assist in maintaining the position of the child when seated.

Parents or care providers may consider the option, in some circumstances, for their child is to remain in their wheelchair whilst in transport due to the level of posture control and comfort provided by the set up in the wheelchair.

We would recommend in such circumstances that a risk assessment be carried out by your healthcare professional and relevant competent persons.

Fig. 7.4

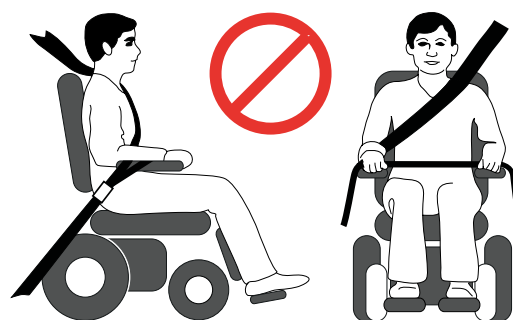
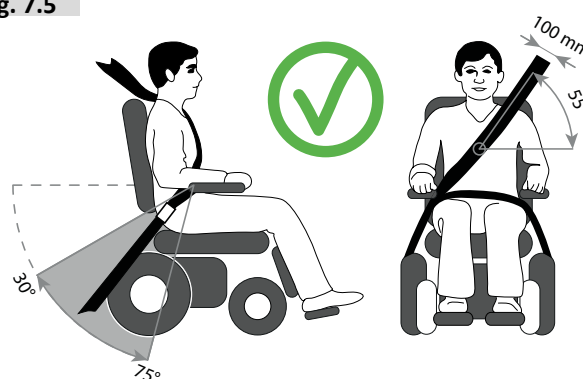


Fig. 7.5



7.3 Special transport requirements

Using your wheelchair on the train.

Before you travel, please contact the train operator. They will be able to supply details of any special requirements/instructions.

We advise you to check the following:

- Is there a suitable and intended “wheelchair” area in the train for wheelchair users (with adequate turning space to manoeuvre)?
- Is there a suitable or designated area on the platform for wheelchair users (with adequate turning space to manoeuvre)?
- Is there suitable boarding access available to allow you to access the railway carriage and the intended “wheelchair” area?
- Is the boarding access suitable for the combined mass of the wheelchair and the occupant?
- Make sure the slope of the boarding access is not greater than the dynamic safe slope. (See Section 10)
- Any obstacles or thresholds should not exceed the max kerb climbing capability of your wheelchair. (See Section 10)

Most train operators will provide assistance provided that arrangements have been made in advance. We suggest you have your Owner’s Manual ready when planning your journey and contacted them.




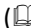



WARNING!

- While driving on a boat or train, make sure that you use a driving profile without GYRO activated if installed as an option to the wheelchair. The continuous movement of a boat or train, disrupts the GYRO system and the driving characteristics of your wheelchair.

Transporting the wheelchair as luggage.

Parts of the wheelchair that can easily be detached should be removed when transporting the wheelchair. Store these parts securely. E.g.:

- A. Remove the seat ( Seating system).
- B. Remove the leg rests ( Seating system).
- C. Remove the armrests ( Seating system).
- D. Fold down the backrest ( Seating system).

- Ensure that any detachable parts are secured with your mobility aid or separately packed and labelled so they do not get lost during loading and unloading.
- The wheelchair may be transported by road, rail, sea or air and the batteries conform to IATA regulations.
- Before you travel, please contact the appropriate carrier. The travel operator will be able to supply details of any special requirements/instructions.
- For information about dimensions and weight of the wheelchair, see (Section 10).
- For information about the batteries in your wheelchair see (Section 6).
- Ensure that any detachable parts are secured with your mobility aid or separately packed and labelled so they do not get lost during loading and unloading.
- Take this user manual, the seating system user manual (& Seating System) and the controller user manual (& Controller) with you. The carrier will need to refer to the following sections:
 - i. Pushing the wheelchair, (Section 5.8).
 - ii. How to lock/unlock the controller:  Controller.
 - iii. How to disconnect the batteries, (Section 6.7)
 - iv. How to disconnect the drive, (Section 5.8)
- Transporting the chair, (Section 7.0).
- Medium to long term storage, follow the instructions, (Section 8.5).

7.4 General transport warnings



WARNING!

- No changes or replacements must be made to the anchorage points/car fastenings on the wheelchair, or to constructional elements or parts of the frame without consulting Sunrise Medical.
- The wheelchair should be inspected by a Sunrise Medical authorised dealer/service agent, before reuse following involvement in any type of vehicle collision.

8.0 Maintenance & cleaning

The wheelchair's lifespan is dependent on it being well maintained.

For information concerning specific settings, maintenance or repair work, please contact your authorized Sunrise dealer. Always be sure to mention the model, year of manufacture and identification number provided on the identification plate of the wheelchair when contacting your dealer.

CAUTION!

The wheelchair should be serviced by your authorized Sunrise dealer once a year or, in the case of intensive use, every six months. For a list of approved authorised dealers in your area please contact Sunrise Medical Service Centre.

The contact details of your local Sunrise medical service centre can be found on the inside front cover of this booklet.

National and International Website addresses are on the back cover.

8.1 Maintenance

WARNING!

- Loose fasteners should be re-tightened according to the installation instructions. Please refer (unless otherwise specified) to the general table below for needed Torques.

| Torque Setting Guide | |
|----------------------|--------|
| M4 | 3.0 Nm |
| M5 | 5.9 Nm |
| M6 | 10 Nm |
| M8 | 25 Nm |
| M10 | 48 Nm |
| M12 | 84 Nm |

Note: it will be necessary to use a torque wrench.

- Chest straps should be replaced at the first indication of damage and/or excessive wear.
- If a broken or loose component is found, discontinue use immediately and contact your authorised Sunrise Medical supplier for replacement.
- Check all Velcro fastening straps for correct adhesion when pressed together.
- Ensure that any contamination, such as fluff, hair, etc is removed from the Velcro straps. Such contamination may affect adhesion.

WARNING!

- If you are in any doubt about the performance requirements of your wheelchair contact your Sunrise Medical authorised dealer.
- After performing any maintenance or repairs on the wheelchair you must make sure that it is functioning correctly before it is used.
- All fasteners must be replaced like for like using the correct length, tensile strength and materials.
- When replacing self-locking nuts, or nuts/studs secured with a thread locking solution, ensure that a suitable thread locking solution is reapplied to the fastener.

Daily checks

Perform the daily check routine before driving as described in chapter 5.1

Weekly checks

Perform the weekly check routine before driving as described below.

Checking Parking brake:

This test should be carried out on a level floor with at least one meter clearance all around the chair.

- Switch on the control system.
- Check that the battery gauge remains on, or flashes slowly, after one second.
- Push the joystick slowly forwards until you hear the parking brakes operate.
- The chair may start to move.
- Immediately release the joystick. You must be able to hear each parking brake operate, (click), within a few seconds.
- Repeat the test a further 3 times, pushing the joystick slowly backwards, left and right.

Checking connectors & cables:

- Make sure that all connectors are securely mated.
- Check the condition of all cables and connectors for damage.

Checking controller:

- Check the thin rubber gaiter or boot around the base of the joystick shaft for damage or splitting. Check visually only, do not handle the gaiter.
- Make sure that all components of the control system are securely mounted. Do not over-tighten any securing screws.

Checking controls:

- Switch on the hand control – Do the lights flash? This signifies that there is a fault in the electronic system. Refer to 'chapter 10 for basic troubleshooting'.
- Operate all of the electric options, including lights and indicators, (if fitted), to make sure that they work correctly.
- With the seating in an elevated position, drive the wheelchair to make sure that the 'creep' mode works which will slow the wheelchair.
- Drive the wheelchair in each of the drive profiles to make sure the wheelchair performs as it did before.

 **WARNING!**

- If you are in any doubt about the performance requirements of your wheelchair contact your Sunrise Medical authorised dealer.
- After performing any maintenance or repairs on the wheelchair you must make sure that it is functioning correctly before it is used.
- A complete inspection, safety check and service should be made by a Sunrise Medical authorised dealer at least once per year.
- All fasteners must be replaced like for like using the correct length, tensile strength and materials.
- When replacing self-locking nuts, or nuts/studs secured with a thread locking solution, ensure that a suitable thread locking solution is reapplied to the fastener.
- Check all Velcro fastening straps for correct adhesion when pressed together.
- Ensure that any contamination, such as fluff, hair, etc is removed from the Velcro straps. Such contamination may affect adhesion.

Monthly checks

Perform the monthly check routine before driving as described below.

- All fasteners should be checked monthly for wear, such as loose bolts or broken components.
- Check all straps monthly for fraying, ripped seams or other indications of excessive wear damage. Discontinue use if damage is found.

8.2 Tyre maintenance and pressures

8.2.1 Tyre pressure

CAUTION!

If pneumatic tyres are fitted to your wheelchair it is important to regularly check the air pressure and for signs of wear. The maximum tyre pressures are listed in Section 8.3, if in doubt check the markings on the side of the wheelchair tyre for guidance.

NOTE: It is important that drive wheels are inflated to equal pressures as a pair, and likewise the rear. The inflator pump provides the safest method of inflating your wheelchair tyres and the pressure can be checked with a standard motor vehicle pressure gauge.

DANGER!

- Do not inflate beyond the maximum allowed tyre pressure.
- Always use the pump that is supplied with the chair,

8.2.2 Tyre wear

When inspecting the tyres for signs of wear, look for significant scuff marks, cuts and a diminished tyre tread. Tyres will need to be changed when the tread cannot be seen over the complete surface of the tyre, (Fig.8.1).

Fig. 8.1



8.2.3 Drive wheel tyre repair

To remove the wheel/tyre:

Please see below and next page for photographs.

- Remove the colour ring.
- Use a 16 mm AF lug nut to loosen the 3-socket studs, (Fig. 8.2).
- Jack the base/battery box up and support it using blocks, (Fig. 8.3).
- Remove the 3 studs and pull the wheel away from the hub.
- Remove the valve cap and let the air out of the tyre by gently pressing the valve stem with a small screw driver, (Fig. 8.4).
- There are 6 rim studs that must be loosened/tightened in the number order shown, (Fig.8.5).
- Use a 5.0 mm Allen key to release/tighten the studs. (Fig. 8.5) .
- Lift the inner rim off the tyre wall (Fig. 8.6).
- Lift the tyre and tube off the outer rim, (Fig.8.7).
- Gently get a hold of the inner tube just behind the valve.
- Carefully feed the tube out of the tyre, (Fig.8.8).
- Ensure all parts are clean before reassembling, (Fig.8.9).

To refit

- Place the tube inside the tyre and rest the tyre on the outer rim.
- Align the valve stem with the cut out in the rim.
- Face the valve stem outward.
- Place the inner rim over the tyre, tube and outer rim.
- Align the cut out to fit over the valve stem and match it up to the cut out in the outer rim, (Fig.8.10).
- Make sure the stud mounts are in line on both rims.
- Tighten the studs in the sequence shown in Fig.8.5, taking care not to pinch the tube.
- Slowly inflate to the pressures quoted in section 8.1.1 .
- Refit the wheel back onto the motor shaft and fix it safely with the 3 studs to a torque of 34Nm.

For solid tyres the sequence is the same, just discount the references to the inner tube and valve.

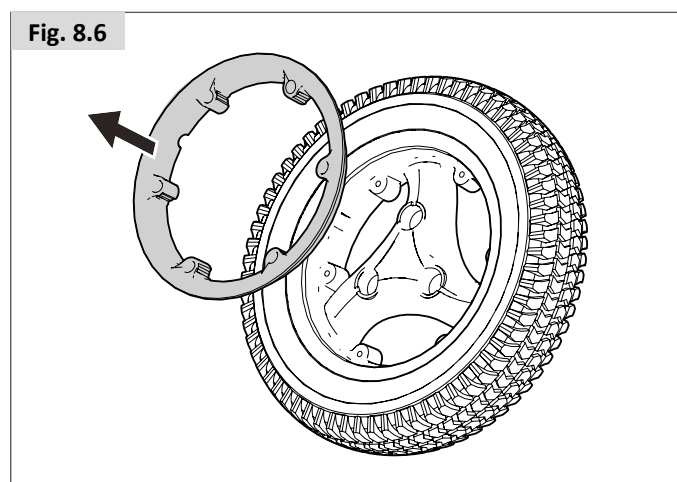
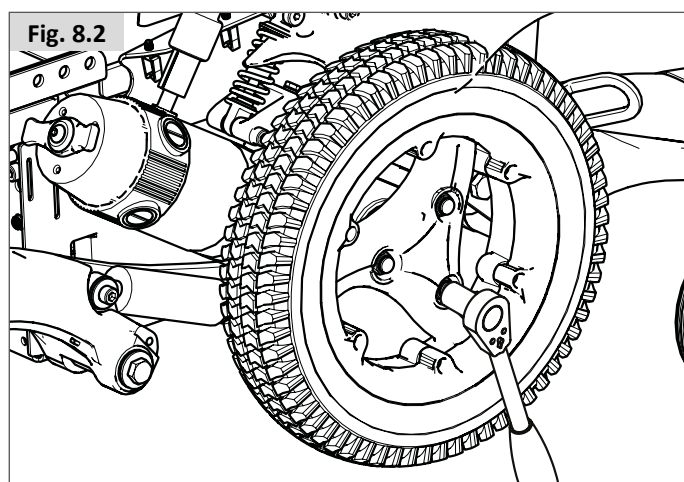
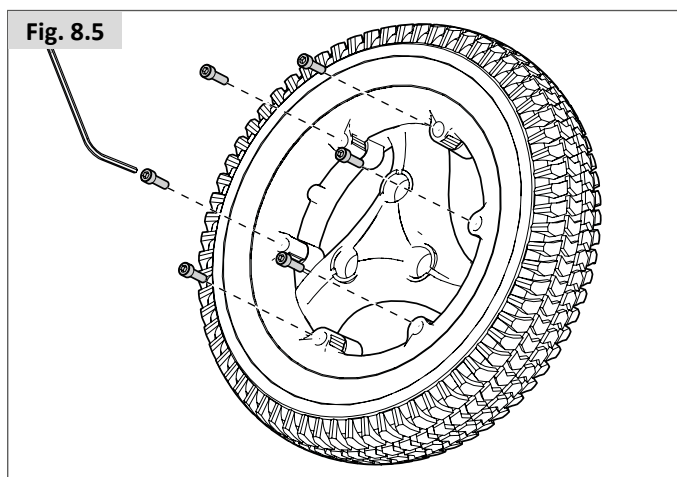
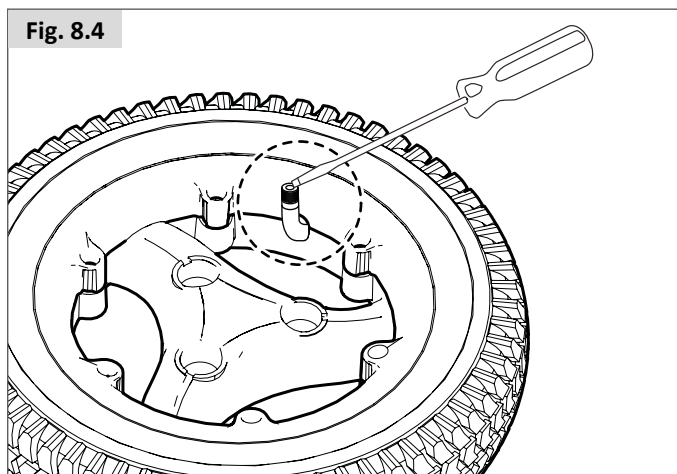
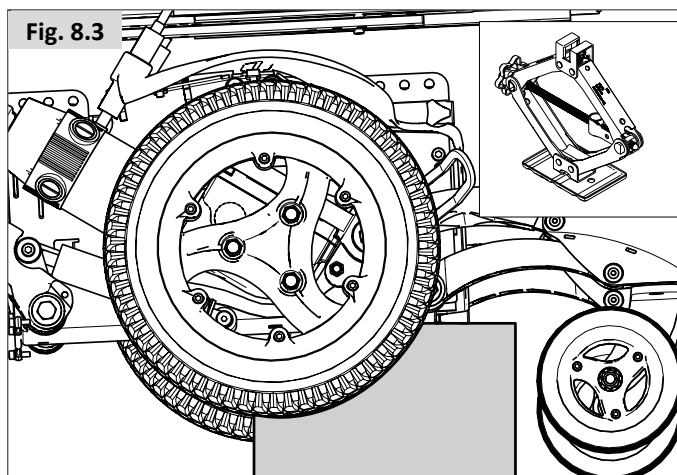


Fig. 8.7

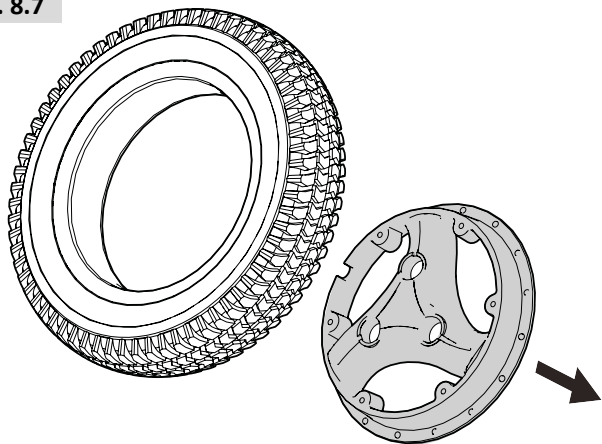


Fig. 8.8

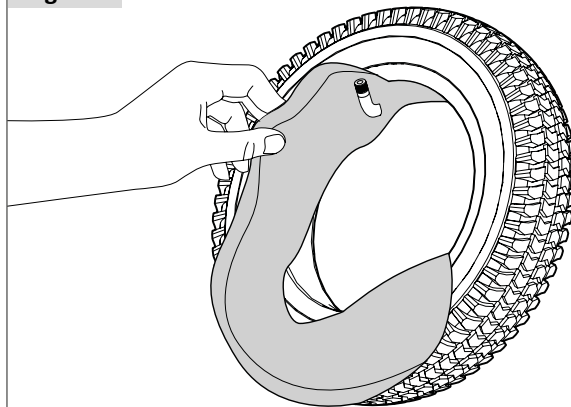


Fig. 8.9

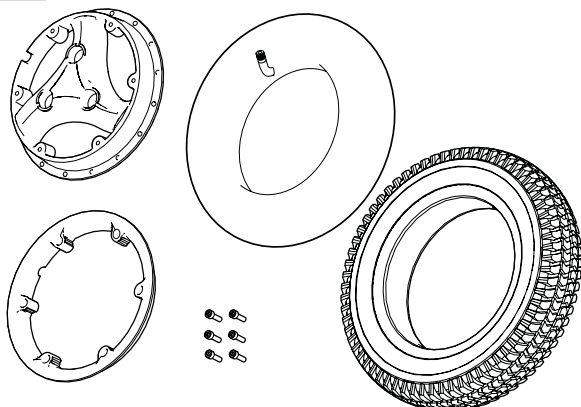
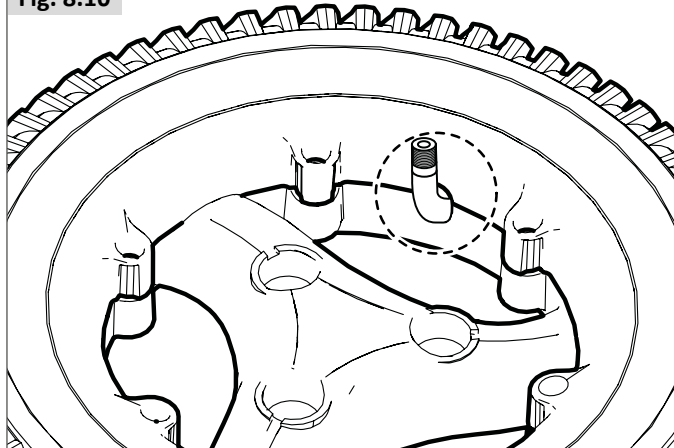


Fig. 8.10



8.2.4 Removing the castor wheels (M base) (Fig.8.11).

- Use a 17.0 mm spanner/socket to undo the axle bolt.
- Remove the nyloc nut.

Removing the castor wheels (F/R base) (Fig.8.12)

- Use a 13.0 mm wrench and 5 mm Allen key to undo loosen the screws.
- Remove both screws

Refitting:

When refitting do not try to force the bolt through. Gently move the wheel back and forth until the bolt slips through then tighten to a torque of 14Nm.

⚠ WARNING!

Always use a new nyloc nut when refitting.

Fig. 8.11

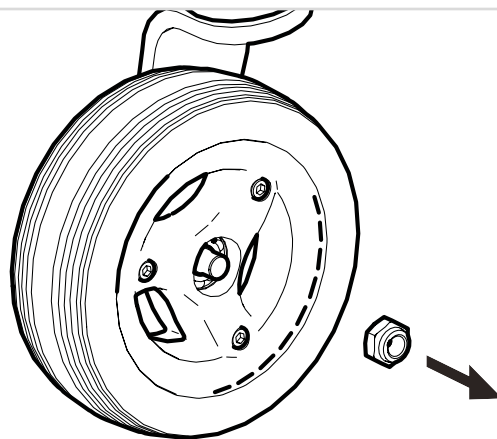
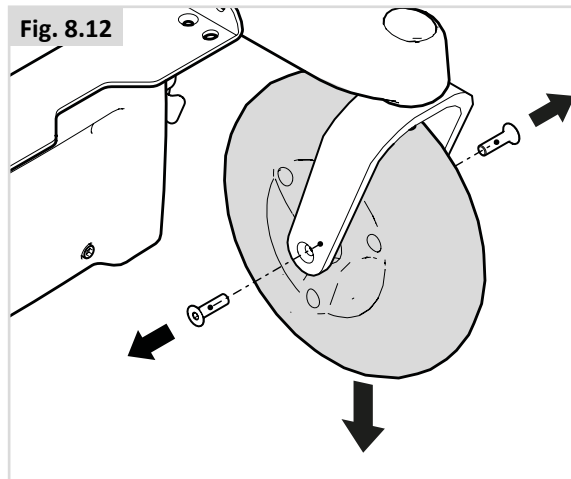



Fig. 8.12



| Maintenance & Inspection Schedule | Daily* | Weekly | Monthly | Annually |
|--|--------|--------|---------|----------|
| Daily check routine as described in chapter 5.1 | * | | | |
| Weekly check routine as described in chapter 8.1 | | * | | |
| Clean wheelchair upholstery  Seating system | | * | | |
| Complete inspection, safety check and service should be made by a Sunrise Medical authorised dealer. | | | | * |

8.3 Wheels & tyres maintenance

To ensure that your wheelchair functions properly, it is essential that the tires are kept at the correct pressure. The correct tyre pressure is indicated on the side of the tyre.

Tyres that are too soft will have a negative effect on the wheelchair's performance. Moving the wheelchair will require more energy, making more demands on the batteries. Furthermore, wear on under inflated tyres is increased

When inspecting the tyres for signs of wear, look for significant scuff marks, cuts and a diminished tyre tread. Tyres will need to be changed when the tread cannot be seen over the complete surface of the tyre.

| Castor wheel | | Max. tyre pressure | |
|------------------|----------------------------|--------------------|-------------|
| 6" | Q700 M | Solid wheels | |
| 9" (2.80/2.50-4) | Q700 F Q700 R | 2.4 bar max. | 35 PSI |
| 10" (3.00-4) | Q700 F Q700 R | 2.4 bar max. | 35 PSI |
| Drive wheel | | Max. tyre pressure | |
| 14" (3.00-8) | Q700 M Q700 F Q700 R | 3.5 bar max. | 50 PSI max. |

DANGER!

- Do not inflate beyond the maximum allowed tyre pressure.
- Never use a forecourt pump
- Before tyres are repaired they must first be fully deflated!

8.4 Lighting maintenance:

DANGER!

Maintaining lights and indicators is a safety critical task. If your lights and indicator system shows a defect, please contact your Sunrise Medical Approved Dealer.

All lights and indicators are state of the art LED low energy, no maintenance units. There are no light bulbs used. The high intrinsic reliability of these units means that they are extremely unlikely to fail under normal usage. If a failure should occur, (may be as a result of an impact), the damaged light assembly must be replaced in its entirety. The individual LED's cannot be replaced.

CAUTION!

- We recommend the use of Sunrise Medical authorized spare parts only.
- Be advised that all lighting circuits are electronically protected. In the event of a short circuit current will be limited to a safe level. Once the fault is removed the system resets automatically.

8.5 Cleaning and disinfection

The wheelchair should be wiped over once per week with a slightly damp, not wet, cloth and any fluff or dust that has accumulated around the motors should be blown or dusted away.

CAUTION!

Make sure that you dry all parts of your wheelchair if it becomes wet or damp after cleaning or if it is used in a wet or damp atmosphere.

DANGER!

It is important that should the wheelchair be used by more than one person it is cleaned thoroughly to ensure there is no cross infection.

Hygiene measures when being re-used:

Prior to the wheelchair being re-used, it must be carefully prepared. All surfaces which come into contact with the user must be treated with a disinfection spray.

To do this, you must use a suitable disinfectant for rapid alcohol-based disinfection of medical products and medical devices.

Please take into account the manufacturer's instructions for the disinfectant you are using.

CAUTION!

- Do not use solvents, bleaches, abrasives, synthetic detergents, wax polishes or aerosols.
- Disinfectants may be used in dilution as specified by their manufacturer.
- Ensure surfaces are rinsed with clean water and dried thoroughly.

WARNING!

- Always read the label on any commercial or domestic cleaning substances.
- Always follow the instructions carefully.

Cleaning controls: Controller

Should the control of your wheelchair become soiled or dirty, it can be wiped with a damp cloth with a dilute disinfectant until clean.

DANGER!

Important: If the wheelchair is to be used by more than one person, follow the cleaning and disinfection instructions carefully to ensure that there is no cross infection.

8.6 Medium to long term storage:

When storing your wheelchair for long periods of time (in excess of one week), follow these simple instructions:

- Fully charge the wheelchair for at least 24 hours.
- Disconnect the charger.
- Disconnect the batteries.

WARNING!

Never store your wheelchair:

- Outside.
- In direct sunlight, (plastic parts may discolour).
- Near a source of direct heat.
- In a damp environment.
- In a cold environment.
- With the batteries/battery boxes connected, (even if the controller is switched off).

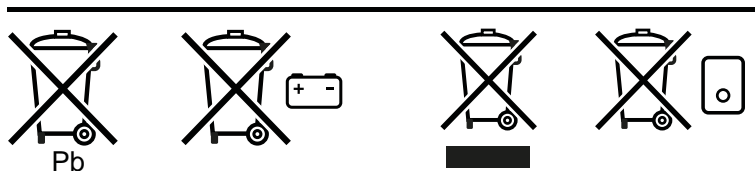
Avoiding all of the above will minimise battery deep cycle discharge and extend battery lifetime.

When returning the wheelchair to use, please reconnect the batteries/battery boxes and charge the wheelchair for at least 24 hours before use.

9.0 Disposal

The symbols below mean that in accordance with local laws and regulations your product should be disposed of separately from household waste. When this product reaches the end of its life, take it to the local collection point designated by local authorities. The separate collection and recycling of your product at the time of disposal will help conserve natural resources and ensure that it is recycled in a manner that protects the environment.

Ensure you are the legal owner of the product prior to arranging for the product disposal in accordance with the above recommendations and national requirements.



In the following section, there is a description of the materials used on the wheelchair, in view of the disposal or recycling of the wheelchair and its packaging.

There may also be special local regulations in force with regard to disposal or recycling, these must be taken into account when disposing of your wheelchair. (This can include the cleaning or decontamination of the wheelchair prior to disposal).

Aluminium: Castor forks, wheels, side-guards for the chassis.

Steel: Fixing points, quick-release axle

Plastic: Handles, tube stoppers, castors and wheel/tyre


Packaging: Plastic bags made of soft polyethylene, cardboard

Disposal or recycling should be done through a licensed agent or authorised place of disposal. Alternatively your wheelchair may be returned to your dealer for disposal.



10.0 Trouble shooting


If the wheelchair is not working as it should, check the following points.

- Check whether the batteries are charged.
- Turn the wheelchair off and then back on again.
- Check whether the battery plugs are all securely in place.
- Check whether the freewheel lever is in the DRIVE position
- Check the position of the speed regulator.
- Make sure that the controller isn't locked  Controller

If the problem has not been resolved:

-  Controller

11.0 Technical specifications: Applicable norms / standards

 This product complies with the regulations and guidelines for medical aids and carries a CE symbol. The product meets the requirements and standards below. These are checked by independent institutions.

| Standard | Definition / description | Test Dummy Weight | |
|------------------------|--|-------------------|------------|
| | | | |
| EU guideline 93/42 EEC | Applicable as mentioned in Appendix 1 | | |
| EN 12182: 2012 Class B | Assistive products for persons with disability - General requirements and test methods | SEDEO Pro | SEDEO Ergo |
| | | 160 kg | 160 kg |
| EN 12184: 2014 Class B | Electrically powered wheelchairs, scooters and their chargers - Requirements and test methods | SEDEO Pro | SEDEO Ergo |
| | | 160 kg | 160 kg |
| ISO 7176-8: 2014 | Requirements and test methods for impact, static and fatigue strengths | N/A | N/A |
| ISO 7176-9: 2009 | Climate tests for electric wheelchairs | N/A | N/A |
| ISO 7176-14: 2008 | Requirements and test methods for control systems for electric wheelchairs | N/A | N/A |
| ISO 7176-16: 2012 | Requirements for resistance to ignition of upholstered parts | N/A | N/A |
| ISO 7176-19: 2008 | Wheelchairs - Part 19: Wheeled mobility devices for use as seats in motor vehicles: The Q-series meet the crash test requirements as described in ISO 7176-19 | SEDEO Pro | SEDEO Ergo |
| | | 104 kg | 104 kg |

| | | | |
|--|---------------|----------|--|
| Model | Q700 series | | |
| Type / configuration Mid wheel drive | Q700 M | | |
| Maximum user weight | 160 kg | 300 lbs. | |
| EN12184 class: | B | | |

| Description | Metric system values | | Imperial system values & alternative | |
|---|----------------------|-------------|--------------------------------------|-------------|
| | Minimum | Maximum | Minimum | Maximum |
| Total length (including legrests) Mid wheel drive | | | | |
| Q700 M Sedeo Ergo Central footplate | 1070 mm | 1100 mm | 41.1" | 43.3" |
| Q700 M Sedeo Pro Swingaway hangers | 1190 mm | 1190 mm | 46.8" | 46.8" |
| Total width | | | | |
| Q700 M 14" Drive wheels | 622 mm | 660 mm | 24.5" | 26.0" |
| Total weight Basic configuration, no batteries | | | | |
| Q700 M Sedeo Ergo | 160 kg | 180 kg | 353 lbs. | 397 lbs. |
| Q700 M Sedeo Pro | 145 kg | 175 kg | 320 lbs. | 386 lbs. |
| Total weight influencers Batteries | | | | |
| 50 Ah AGM (C20) (Set of 2) | 27 kg | | + 59.5 lbs. | |
| 60 Ah GEL (C20) (Set of 2) | 43 kg | | + 94.8 lbs. | |
| 80 Ah GEL (C20) (Set of 2) | 50.2 kg | | + 110.7 lbs. | |
| Transport weight of the heaviest part | 23.5 kg | | 51.8 lbs. | |
| Dynamic stability: Maximum safe slope Q700 M Mid wheel drive | 10° | | 17.6 % | |
| Min. braking distance at maximum speed Q700 M | 3100 mm | | 122.0" | |
| Static stability | | | | |
| Q700 M Sedeo Ergo Downwards / Upwards / Sideways | 8°/19°/14° | 25°/25°/21° | 14%/34%/25% | 47%/47%/38% |
| Q700 M Sedeo Pro Downwards / Upwards / Sideways | 8°/19°/14° | 25°/25°/21° | 14%/34%/25% | 47%/47%/38% |
| Range of action <i>NB: The following aspects have a negative influence on the range of action: Obstacles, rugged terrain, driving on slopes, exposure to temperatures below freezing point and frequent use of powered seat options.</i> | | | | |
| 6 kph 80 Ah batteries Q700 M | 32.5 km | 40.0 km | 20.2 miles | 24.9 miles |
| 8 kph 80 Ah batteries Q700 M | 30.0 km | 37.5 km | 18.6 miles | 23.3 miles |
| 10 kph 80 Ah batteries Q700 M | 27.5 km | 35.0 km | 17.1 miles | 21.7 miles |
| 12.5 kph 80 Ah batteries Q700 M | 25.0 km | 32.5 km | 15.5 miles | 20.2 miles |
| Climbing capability for obstacles Q700 M Mid wheel drive | 75 mm | 100 mm | 2.95" | 3,94" |
| Max speed forward Q700 M Mid wheel drive | 6 kph | 12.5 kph | 4 mph | 7.7 mph |
| Turning radius Q700 M Mid wheel drive | 560 mm | 630 mm | 22.0" | 24.8" |
| Turning space / reversing width Q700 M Mid wheel drive | 1100 mm | | 43.0" | |
| Ground clearance Q700 M Mid wheel drive | | 90 mm | | 3.5" |

| Description | Metric system values | | Imperial system values & alternative | |
|---|--------------------------|--------------------|--------------------------------------|-------------------|
| | Minimum | Maximum | Minimum | Maximum |
| Maximum battery dimensions (l x b x h) | | 260 x 172 x 210 mm | | 10.2 x 6.8 x 8.3" |
| Battery capacity | 50 Ah / 60 Ah / 80 Ah | | 50 Ah / 60 Ah / 80 Ah | |
| Maximum permissible charging voltage | | 24V | | 24V |
| Maximum charging current | | 12 A (rms) | | 12 A (rms) |
| Connector type | 📖 Controller manual | | 📖 Controller manual | |
| Insulation | Class 2 double insulated | | Class 2 double insulated | |

| | | | |
|--|---------------|----------|--|
| Model | Q700 series | | |
| Type / configuration Front wheel drive | Q700 F | | |
| Maximum user weight | 160 kg | 353 lbs. | |
| EN12184 class: | B | | |

| Description | Metric system values | | Imperial system values & alternative | |
|---|----------------------|-------------|--------------------------------------|-------------------|
| | Minimum | Maximum | Minimum | Maximum |
| Total length (including legrests) Front wheel drive | | | | |
| Q700 F Sedeo Ergo Central footplate | 1280 mm | 1340 mm | 50,39" | 52,8" |
| Q700 F Sedeo Pro Central footplate | 1280 mm | 1340 mm | 50,39" | 52,8" |
| Total width | | | | |
| Q700 F 14" Drive wheels | 640 mm | 640 mm | 25,2" | 25,2" |
| Total weight Basic configuration, no batteries | | | | |
| Q700 F Sedeo Ergo | 133 kg | 154 kg | 293 lbs. | 339 lbs. |
| Q700 F Sedeo Pro | 134 kg | 155 kg | 295 lbs. | 342 lbs. |
| Total weight influencers Batteries | | | | |
| 50 Ah AGM (C20) (Set of 2) | 27 kg | | + 59.5 lbs. | |
| 60 Ah GEL (C20) (Set of 2) | 43 kg | | + 94.8 lbs. | |
| 80 Ah GEL (C20) (Set of 2) | 48.4 kg | | + 106.7 lbs. | |
| Transport weight of the heaviest part | 23.5 kg | | 51.8 lbs. | |
| Dynamic stability: Maximum safe slope Q700 F Mid wheel drive | 8° | | 14.05 % | |
| Min. braking distance at maximum speed Q700 F | 2900 mm | | 114.2" | |
| Static stability | | | | |
| Q700 F Sedeo Ergo Downwards / Upwards / Sideways | 9°/9°/9° | 15°/15°/12° | 15.8% / 15.8% / 15.8% | 26% / 26% / 21.2% |
| Q700 F Sedeo Pro Downwards / Upwards / Sideways | 9°/9°/9° | 15°/15°/12° | 15.8% / 15.8% / 15.8% | 26% / 26% / 21.2% |
| Range of action <i>NB: The following aspects have a negative influence on the range of action: Obstacles, rugged terrain, driving on slopes, exposure to temperatures below freezing point and frequent use of powered seat options.</i> | | | | |
| 6 kph 80 Ah batteries Q700 F | 32.5 km | 40.0 km | 20.2 miles | 24.9 miles |
| 8 kph 80 Ah batteries Q700 F | 30.0 km | 37.5 km | 18.6 miles | 23.3 miles |
| 10 kph 80 Ah batteries Q700 F | 27.5 km | 35.0 km | 17.1 miles | 21.7 miles |
| 12.5 kph 80 Ah batteries Q700 F | 25.0 km | 32.5 km | 15.5 miles | 20.2 miles |
| Climbing capability for obstacles Q700 F Front wheel drive | 70 mm | | 2.75" | |
| Max speed forward Q700 F Front wheel drive | 6 kph | 12.5 kph | 4 mph | 7.7 mph |
| Turning radius Q700 F Front wheel drive | 735 mm | 735 mm | 28.9" | 28.9" |
| Turning space / reversing width Q700 F Front wheel drive | 1240 mm | | 48.8" | |
| Ground clearance Q700 F Front wheel drive | | 60mm | | 2.36" |

| Description | Metric system values | | Imperial system values & alternative | |
|---|--------------------------|--------------------|--------------------------------------|-------------------|
| | Minimum | Maximum | Minimum | Maximum |
| Maximum battery dimensions (l x b x h) | | 260 x 172 x 210 mm | | 10.2 x 6.8 x 8.3" |
| Battery capacity | 50 Ah / 60 Ah / 80 Ah | | 50 Ah / 60 Ah / 80 Ah | |
| Maximum permissible charging voltage | | 24V | | 24V |
| Maximum charging current | | 12 A (rms) | | 12 A (rms) |
| Connector type | 📖 Controller manual | | 📖 Controller manual | |
| Insulation | Class 2 double insulated | | Class 2 double insulated | |

| | | | |
|---|---------------|----------|--|
| Model | Q700 series | | |
| Type / configuration Rear wheel drive | Q700 R | | |
| Maximum user weight | 160 kg | 353 lbs. | |
| EN12184 class: | B | | |

| Description | Metric system values | | Imperial system values & alternative | |
|---|----------------------|--------------|--------------------------------------|-----------------|
| | Minimum | Maximum | Minimum | Maximum |
| Total length (including legrests) Rear wheel drive | | | | |
| Q700 R Sedeo Ergo Central footplate | 1290 mm | 1370 mm | 50.8" | 53.9" |
| Q700 R Sedeo Pro Swingaway hangers | 1100 mm | 1180 mm | 43.7" | 46.4" |
| Total width | | | | |
| Q700 R 14" Drive wheels | 640 mm | 640 mm | 25.2" | 25.2" |
| Total weight Basic configuration, no batteries | | | | |
| Q700 R Sedeo Ergo | 133 kg | 154 kg | 293 lbs. | 339 lbs. |
| Q700 R Sedeo Pro | 134 kg | 155 kg | 295 lbs. | 342 lbs. |
| Total weight influencers Batteries | | | | |
| 50 Ah AGM (C20) (Set of 2) | 27 kg | | + 59.5 lbs. | |
| 60 Ah GEL (C20) (Set of 2) | 43 kg | | + 94.8 lbs. | |
| 80 Ah GEL (C20) (Set of 2) | 48.4 kg | | + 106.7 lbs. | |
| Transport weight of the heaviest part | 24.2 kg | | 53.4 lbs. | |
| Dynamic stability: Maximum safe slope Q700 R Rear wheel drive | 10° | | 17.6 % | |
| Min. braking distance at maximum speed Q700 R | 2100 mm | | 82.7" | |
| Static stability | | | | |
| Q700 R Sedeo Ergo Downwards / Upwards / Sideways | 9°/9°/9° | 13°/15°/ 13° | 15.8%/15.8%/ 15.8% | 23% / 26% / 23% |
| Q700 R Sedeo Pro Downwards / Upwards / Sideways | 9°/9°/9° | 13°/15°/ 13° | 15.8%/15.8%/ 15.8% | 23% / 26% / 23% |
| Range of action <i>NB: The following aspects have a negative influence on the range of action: Obstacles, rugged terrain, driving on slopes, exposure to temperatures below freezing point and frequent use of powered seat options.</i> | | | | |
| 6 kph 80 Ah batteries Q700 R | 32.5 km | 40.0 km | 20.2 miles | 24.9 miles |
| 8 kph 80 Ah batteries Q700 R | 30.0 km | 37.5 km | 18.6 miles | 23.3 miles |
| 10 kph 80 Ah batteries Q700 R | 27.5 km | 35.0 km | 17.1 miles | 21.7 miles |
| 12.5 kph 80 Ah batteries Q700 R | 25.0 km | 32.5 km | 15.5 miles | 20.2 miles |
| Climbing capability for obstacles Rear wheel drive Q700 R | 80 mm | | 3.14" | |
| Climbing capability with kerclimber for obstacles Rear wheel drive Q700 R | 100 mm | | 3.9" | |
| Max speed forward Q700 R Rear wheel drive | 6 kph | 12.5 kph | 4 mph | 7.7 mph |
| Turning radius Q700 R Rear wheel drive | 950 mm | 950 mm | 37.4" | 37.4" |
| Turning space / reversing width Q700 R Rear wheel drive | 1285 mm | | 50.6" | |
| Ground clearance Q700 R Rear wheel drive | | 65mm | | 2.55" |

| Description | Metric system values | | Imperial system values & alternative | |
|---|--------------------------|--------------------|--------------------------------------|-------------------|
| | Minimum | Maximum | Minimum | Maximum |
| Maximum battery dimensions (l x b x h) | | 260 x 172 x 210 mm | | 10.2 x 6.8 x 8.3" |
| Battery capacity | 50 Ah / 60 Ah / 80 Ah | | 50 Ah / 60 Ah / 80 Ah | |
| Maximum permissible charging voltage | | 24V | | 24V |
| Maximum charging current | | 12 A (rms) | | 12 A (rms) |
| Connector type | 📖 Controller manual | | 📖 Controller manual | |
| Insulation | Class 2 double insulated | | Class 2 double insulated | |

Technical specifications: SEDEO Ergo seating system

| | Metric system values | | Imperial system values & alternative | |
|--|----------------------|---------|--------------------------------------|---------|
| | Minimum | Maximum | Minimum | Maximum |
| Seat angle adjustment | | | | |
| Powered tilt with COG adjustment optional | 0° - 30° | | 0° - 30° | |
| Powered tilt with COG adjustment optional | -5° - 25° | | -5° - 25° | |
| Powered tilt with COG adjustment optional | 0° - 50° | | 0° - 50° | |
| Powered tilt with COG adjustment optional | -5° - 45° | | -5° - 45° | |
| Effective seat depth | 400 mm | 560 mm | 15.7" | 22.0" |
| Effective seat width | 400 mm | 560 mm | 15.7" | 22.0" |
| Seat to floor height | | | | |
| Powered tilt & seat elevator (300 mm) | | | | |
| pos. 1 60 or 80 Ah batteries 0° seat angle | 435 mm | 735 mm | 17.1" | 28.9" |
| pos. 2 60 or 80 Ah batteries 0° seat angle | 455 mm | 755 mm | 17.9" | 29.7" |
| pos. 3 60 or 80 Ah batteries 0° seat angle | 480 mm | 780 mm | 18.9" | 30.7" |
| Armrest to seat distance | 240 mm | 340 mm | 9.4" | 13.4" |
| Backrest angle | | | | |
| Powered recline with anti shear | 90° - 175° | | 90° - 175° | |
| Backrest height | 560 mm | 700 mm | 22.0" | 27.6" |
| Legrest angle (powered centermount) | | | | |
| Powered centermount | 90° - 180° | | 90° - 180° | |
| Lower leg length | | | | |
| Powered centermount | 340 mm | 520 mm | 13.4" | 20.5" |

Technical specifications: SEDEO Pro seating system

| | Metric system values | | Imperial system values & alternative | |
|--|-----------------------|---------------|--------------------------------------|---------|
| | Minimum | Maximum | Minimum | Maximum |
| Seat angle adjustment | | | | |
| Powered tilt with COG adjustment | optional | | 0° - 30° | |
| Powered tilt with COG adjustment | optional | | -5° - 25° | |
| Powered tilt with COG adjustment | optional | | 0° - 50° | |
| Powered tilt with COG adjustment | optional | | -5° - 45° | |
| Effective seat depth | 400 mm | 600 mm | 15.7" | 23.6" |
| Effective seat width | 380 mm | 560 mm | 15" | 22.0" |
| Seat to floor height | | | | |
| Filler Module (No powered tilt in space, no seat elevator) | | | | |
| pos. 1 | 60 or 80 Ah batteries | 0° seat angle | 415 mm | |
| pos. 2 | 60 or 80 Ah batteries | 0° seat angle | 440 mm | |
| pos. 3 | 60 or 80 Ah batteries | 0° seat angle | 465 mm | |
| pos. 4 | 60 or 80 Ah batteries | 0° seat angle | 490 mm | |
| Powered tilt & seat elevator (300 mm) | | | | |
| pos. 1 | 60 or 80 Ah batteries | 0° seat angle | 415 mm | 715 mm |
| pos. 2 | 60 or 80 Ah batteries | 0° seat angle | 440 mm | 740 mm |
| pos. 3 | 60 or 80 Ah batteries | 0° seat angle | 465 mm | 765 mm |
| pos. 4 | 60 or 80 Ah batteries | 0° seat angle | 490 mm | 790 mm |
| Backrest angle | | | | |
| Tool angle adjustable back | | | 90° - 120° | |
| Powered recline | | | 90° - 130° | |
| Powered recline with anti shear | | | 90° - 150° | |
| Backrest height (seatplate to top of back cushion) | 530 mm | 720 mm | 20.9" | 28.3" |
| Flip back armrest / Single post removable armrest | | | | |
| Armrest pad height (seatplate to top armpad) | 260 mm | 380 mm | 10.2" | 15" |
| Armrest width (on seatframe) | -20 mm | +20 mm | -0.8" | +0.8" |
| Armrest pad width (on armrest profile) | | | -20 mm | |
| Armrest depth (on seatframe with short seat rail) | | | 250 mm | |
| Armrest pad depth (on armrest profile) | | | 100 mm | |
| Armrest pad angle (vertical) | | | 0° - 15° | |
| Reclining Flip back armrest | | | | |
| Armrest pad height (seatplate to top armpad) | 250 mm | 400 mm | 9.8" | 15.7" |
| Armrest pad width (on armrest profile) | | | -20 mm | |
| Armrest pad depth (on armrest profile) | | | 140 mm | |
| Armrest pad angle (vertical) | | | 0° - 15° | |
| Center Mount Legrest | | | | |
| Lower leg length (from seatplate) | 305 mm | 460 mm | 12" | 18.1" |
| Knee angle | | | 70° - 120° | |
| Ankle angle | | | +20° - -40° | |
| Power Center Mount Legrest | | | | |
| Lower leg length (from seatplate) | 360 mm | 540 mm | 14.2" | 21.2" |
| Knee angle | | | 90° - 180° | |
| Max length compensation | | | 260 mm | |
| Ankle angle | | | +35° - -15° | |
| Swing away legrests | | | | |
| Lower leg length (from seatplate) | 350 mm | 510 mm | 13.8" | 20.1" |
| Knee angle | | | 70° | |
| Ankle angle | | | 0° - 180° | |
| Swing away legrests, manual elevating / power elevating | | | | |
| Lower leg length (from seatplate) | 350 mm | 510 mm | 13.8" | 20.1" |
| Knee angle | | | 0° - 70° | |
| Ankle angle | | | 0° - 180° | |
| SEDEO Multi-Position headrest mount | | | | |
| Headrest height adjustment range | | | 170 mm | |
| Headrest depth adjustment range | | | 200 mm | |
| Headrest angle (vertical) | | | -45° - +45° | |
| Headrest width | -20 mm | 20 mm | -0.8" | +0.8" |
| Lateral Supports | | | | |
| Lateral support width adjustment range | | | 90 mm | |
| Lateral support height adjustment range | | | 170 mm | |
| Lateral support depth adjustment range | | | 45 mm | |
| Pommel | | | | |
| Pommel height (from seatplate to top of cushion) | 170 mm | 250mm | 6.7" | 9.8" |
| Pommel depth adjustment range | | | 65 mm | |
| Pushbar height adjustment range | | | 140 mm | |

12.0 Warranty

THIS GUARANTEE DOES NOT AFFECT YOUR LEGAL RIGHTS IN ANY WAY.

Sunrise Medical* provides a guarantee, as set out in the warranty conditions, for products to its customers covering the following.

Warranty conditions:

1. Should a part or parts of the product require repair or replacement as a result of a manufacturing and/or material fault within 24 months, then the affected part or parts will be repaired or replaced free of charge. The warranty will only cover manufacturing defects
2. To enforce the warranty, please contact Sunrise Medical Customer Service with the exact details of the nature of the difficulty. Should you be using the product outside the area covered by the Sunrise Medical customer service agent, repairs or replacement will be carried out by another agency as designated by the manufacturer. The product must be repaired by a Sunrise Medical designated Customer Service agent, (dealer).
3. For parts, which have been repaired or exchanged within the scope of this warranty, we provide a warranty in accordance with these warranty conditions for the remaining warranty period for the product in accordance with point 1.
4. For original spare parts which have been fitted at the customer's expense, these will have a 12 months guarantee, (following the fitting), in accordance with these warranty conditions.
5. Claims from this warranty shall not arise, if a repair or replacement of a product or a part is required for the following reasons:
 - a. Normal wear and tear, which include but is not limited to the following parts where fitted; batteries, armrest pads, upholstery, tyres, brakes shoes, ferrules, etc.
 - b. Any overloading of the product, please check the EC label for maximum user weight.
 - c. The product or part has not been maintained or serviced in accordance with the manufacturer's recommendations as shown in the user instructions and/or the service instructions.
 - d. Accessories have been used which are not specified as original accessories.
 - e. The product or part having been damaged by neglect, accident or improper use.
 - f. Changes/modifications have been made to the product or parts, which deviate from the manufacturer's specifications.
 - g. Repairs have been carried out, before our Customer Service has been informed of the circumstances.
6. This guarantee is subject to the law of the country in which the product was purchased from Sunrise Medical"

* Means the Sunrise Medical facility from which the product was purchased.

Additional Notes For Australia Only:

- i. For goods provided by Sunrise medical Pty Ltd in Australia, our goods come with a guarantee by Sunrise Medical that cannot be excluded under Australian Consumer Law.
- ii. You are entitled to a replacement or refund for a major failure and for compensation for any foreseeable loss or damage.
- iii. You are also entitled to have the goods repaired or replaced if the goods fail to be of acceptable quality and the failure does not amount to a major failure.
- iv. The benefits to you given by this warranty are in addition to your other rights and remedies under a law in relation to the goods to which the warranty relates.

Pour toute question relative à l'utilisation, à l'entretien ou à la sécurité de votre fauteuil roulant, contactez votre revendeur agréé Sunrise Medical. Si vous ne connaissez aucun revendeur dans votre région ou si vous avez des questions supplémentaires, vous pouvez écrire ou téléphoner à :

Sunrise Medical S.A.S
ZAC de la Vrillonnerie
17 Rue Mickaël Faraday
37170 Chambray-Lès-Tours
Tel : +33 (0) 247554400
Fax : +30 (0) 247554403
www.sunrisemedical.fr

Sommaire

| | |
|--|-----------|
| 1.0 Informations utilisateur | 44 |
| 1.1 À propos du présent manuel d'utilisation | 44 |
| 1.2 Informations complémentaires | 44 |
| 1.3 Symboles utilisés dans le manuel | 44 |
| 2.0 Sécurité | 45 |
| 2.1 Symboles et étiquettes apposés sur le produit | 45 |
| 2.2 Sécurité : Température | 45 |
| 2.3 Sécurité : Organes mobiles (Fig. 2.10) | 46 |
| 2.4 Sécurité : Rayonnement électromagnétique | 46 |
| 2.5 Sécurité : Risque d'étouffement | 47 |
| 2.6 Sécurité : Utilisation d'un élévateur fixé à un véhicule | 47 |
| 2.7 Sécurité : Tablettes | 47 |
| 2.8 Sécurité : Soulever le fauteuil roulant | 47 |
| 3.0 Usage prévu du fauteuil roulant | 48 |
| 3.1 Champ d'application : L'utilisateur | 48 |
| 3.2 Champ d'application : Environnement de l'utilisateur | 49 |
| 4.0 Configuration du fauteuil roulant | 50 |
| 4.1 Système d'assise | 50 |
| 4.2 Hauteur du siège | 50 |
| 4.3 Centre de gravité | 50 |
| 4.4 Hauteur et profondeur du boîtier de commande | 50 |
| 4.5 Programmation du système de commande | 50 |
| 5.0 Utilisation du fauteuil roulant | 51 |
| 5.1 Vérification du fauteuil roulant avant utilisation | 51 |
| 5.2 Monter et descendre du fauteuil | 52 |
| 5.3 Conduite du fauteuil roulant | 52 |
| 5.4 Virages | 53 |
| 5.5 Freinage et arrêt d'urgence | 53 |
| 5.6 Utilisation en pente | 54 |
| 5.7 Obstacles et trottoirs : | 55 |
| 5.8 Pousser le fauteuil roulant | 56 |
| 5.9 Options d'assise (électriques) | 57 |
| 5.10 Positions de siège mémorisées (Sedeo Ergo seulement) | 58 |
| 6.0 Batteries, recharge et autonomie | 58 |
| 6.1 Batteries | 58 |
| 6.2 Recharger les batteries : | 59 |
| 6.3 Autonomie de votre véhicule : | 61 |
| 6.4 Garantie des batteries : | 62 |
| 6.5 Remplacement des batteries | 62 |
| 6.6 Déconnexion des batteries pour le transport aérien. | 62 |
| 7.0 Transport | 64 |
| 7.1 Transport du fauteuil à bord d'un véhicule motorisé | 64 |
| 7.2 Utilisation du fauteuil comme siège passager | 66 |
| 7.3 Conditions spéciales de transport | 67 |
| 7.4 Avertissements généraux relatifs au transport | 67 |
| 8.0 Entretien et nettoyage | 68 |
| 8.1 Entretien | 68 |
| 8.2 Entretien et pression des pneus | 70 |
| 8.3 Maintenance des roues et des pneus | 73 |
| 8.4 Entretien des feux : | 74 |
| 8.5 Nettoyage et désinfection | 74 |
| 8.6 Entreposage à moyen et long terme : | 74 |
| 9.0 Enlèvement | 75 |
| 10.0 Dépannage | 76 |
| 11.0 Caractéristiques techniques : Normes en vigueur | 76 |
| 12.0 Garantie | 82 |

Tampon et signature du revendeur

1.0 Informations utilisateur

Nous vous remercions d'avoir choisi un fauteuil roulant Sunrise Medical. Sunrise Medical proposent des produits de mobilité de qualité conçus pour renforcer votre indépendance et faciliter la réalisation de vos activités quotidiennes.

Dans le cadre d'une initiative d'amélioration continue de produit, Sunrise Medical se réserve le droit de modifier les spécifications et le modèle sans préavis.

Toutefois, toute modification d'informations aux utilisateurs existants sera communiquée clairement si essentiel à leur sécurité.

En outre, certaines fonctions et options disponibles ne sont pas compatibles avec toutes les configurations du fauteuil.

Toutes les dimensions suivantes sont approximatives et sujettes à des modifications.




La durée de vie prévue pour ce fauteuil est de cinq années. N'utilisez ET n'installez aucun composant tiers sur le fauteuil, à moins qu'ils n'aient été formellement approuvés par Sunrise Medical.

1.1 À propos du présent manuel d'utilisation

Le présent manuel d'utilisation vous aidera à utiliser et à entretenir votre fauteuil roulant en toute sécurité. L'intégralité du manuel d'utilisation englobe trois fascicules :

- Manuel d'utilisation générale du fauteuil roulant (le présent fascicule)
- Manuel d'utilisation du système d'assise
- Manuel d'utilisation du boîtier de commande

Si nécessaire, ce manuel d'utilisation général désigne les autres manuels comme affiché sur le tableau ci-dessous :

| | |
|--|--|
|  Système d'assise : | Renvoie au manuel d'utilisation du système d'assise. |
|  Boîtier de commande : | Renvoie au manuel d'utilisation du boîtier de commande. |
|  Chargeur de batteries : | Renvoie au manuel d'utilisation du chargeur de batterie. |

Ne pas utiliser le fauteuil roulant avant d'avoir bien lu et compris tous les dépliants concernés !

Si l'un des fascicules venait à manquer lors de la livraison de votre fauteuil, veuillez le signaler immédiatement à votre revendeur.

1.2 Informations complémentaires

Adressez-vous à votre service après-vente Sunrise Medical, compétent et agréé, pour toute question concernant l'utilisation, la maintenance ou la sécurité de votre fauteuil roulant. S'il n'y a aucun revendeur près de chez vous ou si vous avez des questions, contactez-nous par courrier ou par téléphone à l'adresse suivante.

Pour toute information sur les avis de sécurité et rappels de produits, rendez-vous sur www.SunriseMedical.fr

1.3 Symboles utilisés dans le manuel

 **DANGER !**

Risque potentiel de blessures, voire de blessures graves ou mortelles

 **AVERTISSEMENT !**

Risque potentiel de blessures

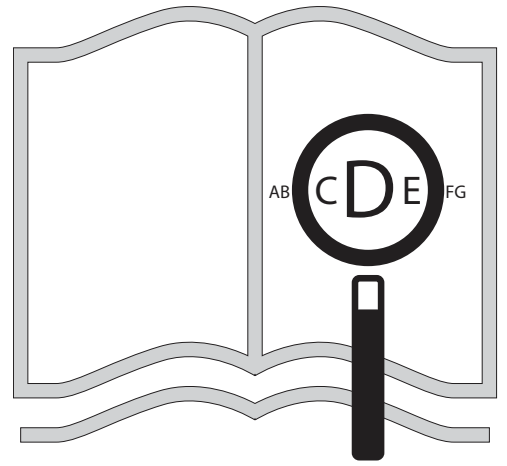
 **ATTENTION !**

Risque potentiel d'endommagement du matériel

REMARQUE :

Conseil d'utilisation générale.

Le non-respect des présentes instructions peut causer des blessures physiques, l'endommagement du matériel ou la dégradation de l'environnement.



Si vous souffrez de déficience visuelle, ce document peut être consulté en format PDF sur www.SunriseMedical.fr



ou vous être envoyé en grands caractères, sur demande.



2.0 Sécurité

Respectez toujours scrupuleusement les consignes apparaissant en regard des symboles d'avertissement. Le non-respect des instructions peut causer des blessures physiques, l'endommagement du fauteuil roulant ou la dégradation de l'environnement. Dans la mesure du possible, les informations relatives à la sécurité sont fournies dans le chapitre consacré à ce sujet.

2.1 Symboles et étiquettes apposés sur le produit

Les signes, symboles et instructions apposés sur le fauteuil roulant font partie de l'ensemble des mesures de sécurité. Ils ne doivent jamais être recouverts, ni retirés. Ils doivent rester en place et être clairement lisibles tout au long de la durée de vie du fauteuil roulant.

Tout signe, symbole et instruction illisible ou endommagé doit être immédiatement remplacé ou réparé. Pour toute assistance, contactez votre revendeur.

Fig. 2.1. Avertissement - Ne pas toucher - FORTE CHALEUR

Fig. 2.2. Point d'arrimage

Fig. 2.3. Avertissement - Risque de pincement des doigts

Fig. 2.4. Avertissement – Vérifier que le verrou à libération rapide de l'interface d'assise est bien serré avant d'utiliser le fauteuil, surtout en pente

Fig. 2.5. Avertissement – N'utilisez pas votre fauteuil en pente avec le dossier incliné et/ou le siège en position verticale.

Fig. 2.6. Avertissement – La charge maximale pour le fauteuil roulant : 160 kg

Fig. 2.7. Mécanisme de roue libre : levier externe vers le bas = roue libre

Fig. 2.8. Étiquette de numéro de série et plaque signalétique (exemple fourni ici).

Fig. 2.9. Emplacement de la plaque signalétique, (au verso - Fig. 2.9.1 roue centrale, Fig. 2.9.2 roue traction (avant), 2.9.3 roue propulsion (arrière)).



Fig. 2.1



Fig. 2.2

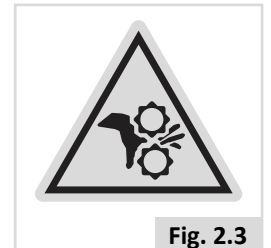


Fig. 2.3



Fig. 2.4



Fig. 2.5



Fig. 2.6

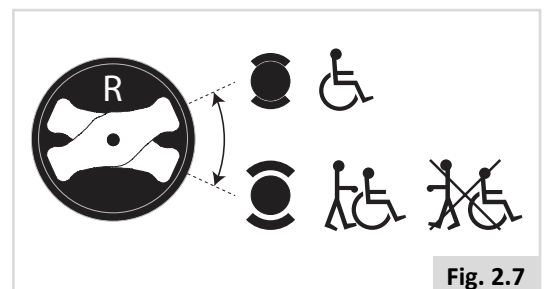


Fig. 2.7

2.2 Sécurité : Température

⚠ AVERTISSEMENT !

- Évitez tout contact physique avec les moteurs du fauteuil roulant. Les moteurs étant en mouvement permanent durant l'utilisation du fauteuil roulant, ils peuvent atteindre des températures élevées. Une fois éteints, les moteurs refroidissent lentement. Tout contact physique peut entraîner des brûlures. Après utilisation du fauteuil, laissez les moteurs refroidir pendant au moins 30 min.
- Pendant la non-utilisation de votre fauteuil, évitez de le laisser exposer à la lumière directe du soleil pendant des périodes prolongées. Certains composants du fauteuil, comme le siège, le dossier et les accoudoirs peuvent chauffer s'ils restent exposés au soleil pendant trop longtemps, risquant de provoquer des brûlures ou des réactions allergiques cutanées.

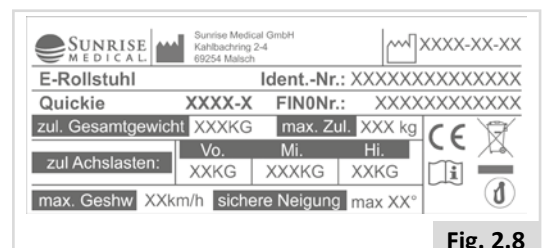


Fig. 2.8

2.3 Sécurité : Organes mobiles (Fig. 2.10)

⚠ DANGER !

Le fauteuil roulant possède des pièces mobiles et rotatives. Tout contact avec les organes mobiles peut entraîner de graves blessures ou endommager le fauteuil. Il convient d'éviter tout contact avec les organes mobiles du fauteuil.

- Roues (arrière et avant)
- Mécanisme électrique de bascule d'assise
- Option d'élévation électrique du siège
- Mécanisme électrique d'inclinaison du dossier
- Support escamotable du boîtier de commande

2.4 Sécurité : Rayonnement électromagnétique

⚠ ATTENTION !

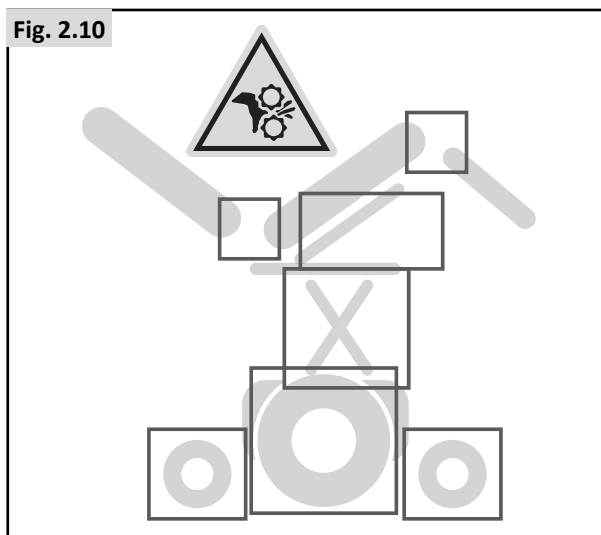
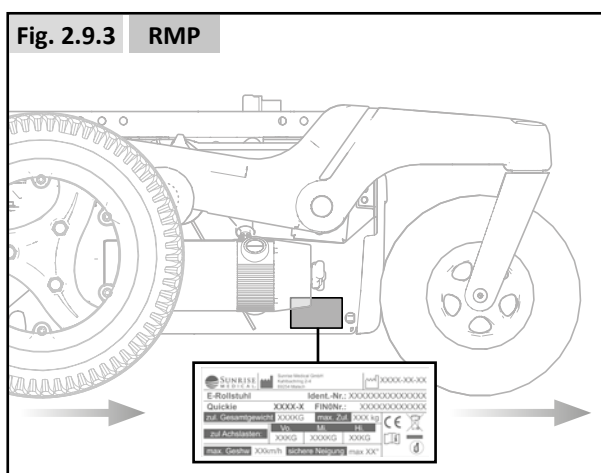
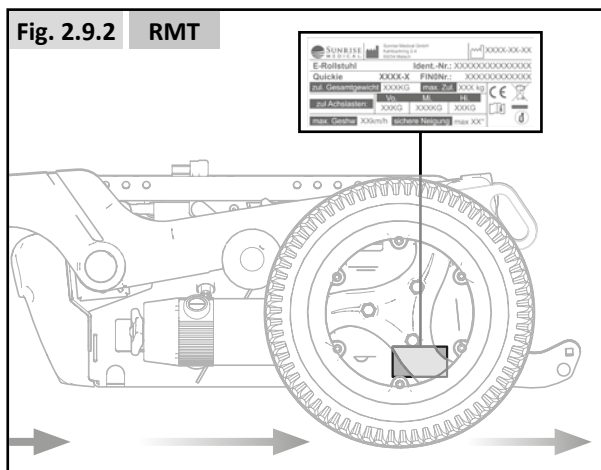
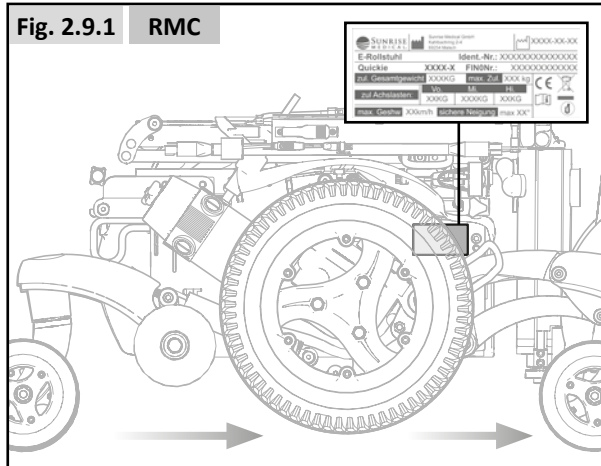
La version standard de votre fauteuil électrique a été testée conformément aux exigences réglementaires en vigueur relatives au rayonnement électromagnétique (exigences CEM). Malgré ces tests : Le rayonnement électromagnétique peut avoir une influence sur le fauteuil roulant. Cette éventualité ne peut être exclue. Par exemple :

- téléphonie mobile
- appareil médical
- autres sources de rayonnement électromagnétique
- Le fauteuil roulant peut également créer des interférences avec les champs électromagnétiques. Par exemple :
- portes de magasins
- systèmes d'alarme antivols dans les magasins
- systèmes d'ouverture de portes de garages

Dans l'éventualité peu probable où se produirait un problème de ce type, veuillez le signaler immédiatement à votre revendeur.

⚠ DANGER !

- Si vous souhaitez utiliser une radio émettrice-réceptrice, un talkie-walkie, une bande de fréquence amateur CB, un système de communication mobile et autres dispositifs de transmission, vous devez d'abord immobiliser le véhicule, puis couper le contact.
- L'utilisation d'un téléphone sans fil, portable ou cellulaire, y compris les kits mains-libres, est autorisée, mais si vous constatez un fonctionnement anormal du fauteuil, vous devez immédiatement l'immobiliser et couper le contact.



2.5 Sécurité : Risque d'étouffement



Ce fauteuil est composé de petites pièces qui, dans certaines conditions, peuvent présenter un risque d'étouffement pour les jeunes enfants.

2.6 Sécurité : Utilisation d'un élévateur fixé à un véhicule

On trouve les élévateurs de fauteuils roulants dans certains vans, bus et immeubles pour vous permettre de passer d'un niveau/étage à l'autre.



- Assurez-vous que l'utilisateur et toute tierce personne comprennent parfaitement les instructions du fabricant de l'ascenseur quand ils l'utilisent.
- Ne dépassez jamais le poids maximal de sécurité recommandé par le fabricant de l'ascenseur et respectez les consignes de répartition du poids.
- Coupez toujours le contact lorsque vous êtes dans l'ascenseur. Si vous oubliez de le faire, vous risquez de toucher le joystick par accident et de déplacer votre fauteuil au-delà de la plate-forme. Sachez que les butoirs présents aux extrémités des plate-formes pourraient ne pas suffire à vous retenir.
- L'utilisateur doit toujours être bien installé dans son fauteuil afin de ne pas tomber pendant qu'il est sur l'élévateur.
- Vérifiez que le fauteuil est en mode Conduite avant d'utiliser l'élévateur (les roues ne doivent pas être en mode Roue libre).

2.7 Sécurité : Tablettes

Sécurité : Tablette escamotable :



- Le poids maximal autorisé sur la tablette est de 2,5 kg.
- Ne surchargez pas la tablette, ceci pourrait la casser ou rendre le fauteuil instable.
- Ne laissez pas de cigarette allumée ou d'autres sources de chaleur sur la tablette, car ceci pourrait la déformer et laisser des marques.
- Assurez-vous de ne pas vous pincer la peau ou de coincer vos vêtements pendant le positionnement de la tablette.

2.8 Sécurité : Soulever le fauteuil roulant



- Ne soulevez pas le fauteuil roulant en l'attrapant par des organes amovibles car vous pourriez endommager le fauteuil ou blesser l'utilisateur.

3.0 Usage prévu du fauteuil roulant

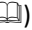
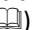
Description générale

Le fauteuil Q700 est un modèle électrique modulaire. Il se distingue par son système de suspension évolué qui permet des conditions de déplacement optimales à l'intérieur comme à l'extérieur. De conception modulaire, simple et bénéficiant d'une variété de réglages, le Quickie Q700 est un excellent fauteuil qui permet un entretien, un recyclage et une remise en état simplifiés.

La série Q700 satisfera les besoins, circonstances ou préférences personnelles. Elle existe sous les configurations suivantes :

- Roue motrice centrale (RMC) : Q700 M
- Roue motrice traction (RMT) : Q700 F
- Roue motrice propulsion (RMP) : Q700 R

Pour la possibilité d'un siège optimal et d'ajustements personnalisés, la série Q700 est compatible avec :


- Système d'assise Sedeo Ergo (cf. manuel d'utilisation du système d'assise )
- Système d'assise Sedeo Pro (cf. manuel d'utilisation du système d'assise )

3.1 Champ d'application : L'utilisateur

Les fauteuils roulants électriques sont exclusivement destinés aux utilisateurs dans l'incapacité de marcher ou à mobilité restreinte et pour leur propre usage, à l'intérieur comme à l'extérieur.

La conduite d'un fauteuil roulant électrique exige des capacités cognitives, physiques et visuelles. L'utilisateur doit être capable d'évaluer et de corriger toute action réalisée lors de la manipulation du fauteuil.

Le fauteuil n'est pas prévu pour le transport de plus d'une personne à la fois. La charge maximale (laquelle combine le poids de l'utilisateur et de tout accessoire éventuellement embarqué) est indiquée sur la plaque signalétique apposée sur le châssis du fauteuil (Fig. 2.9).

Pour connaître les restrictions de poids pour l'utilisateur, cf. manuel d'utilisation du système d'assise 

L'utilisateur doit prendre connaissance du contenu du présent manuel d'utilisation avant d'utiliser le fauteuil roulant. Par ailleurs, l'utilisateur du fauteuil doit recevoir des consignes précises par un spécialiste qualifié avant de s'engager sur la voie publique. Les premières sorties à bord du fauteuil doivent être supervisées par un formateur/conseiller.

De par la diversité des options de montage et sa conception modulaire, ce fauteuil convient pour les personnes se trouvant dans l'incapacité de marcher ou à mobilité restreinte, suite à :

- Une paralysie
- La perte d'un membre (amputation de la jambe)
- Un problème/la difformité d'un membre
- Des contractures/blessures aux articulations
- Accidents cérébro-vasculaires et lésions cérébrales
- Troubles neurologiques (par ex. sclérose en plaques, Parkinson)
- Maladie, telle qu'une insuffisance cardiaque et circulatoire, trouble de l'équilibre ou cachexie, ainsi que pour les personnes âgées ayant assez de force dans le haut du corps.
- Personnes mentalement et physiquement capables d'utiliser une unité de commande pour manipuler en toute sécurité le fauteuil et ses fonctions.
- Le poids maximum de l'utilisateur ne doit pas dépasser 160 kg.

Composants (Fig. 3.1)

- | | |
|---------------------|------------------------------|
| 1. Appui-tête | 7. Roue motrice |
| 2. Joystick | 8. Roue arrière |
| 3. Accoudoir | 9. Moteurs |
| 4. Coussin d'assise | 10. Compartiment à batteries |
| 5. Repose-jambe | 11. Toile du dossier |
| 6. Roue avant | |

Fig. 3.1



⚠ AVERTISSEMENT !

- Si vous êtes sous l'influence de médicaments susceptibles d'entraver votre capacité de conduite, vous n'êtes pas autorisé à utiliser le fauteuil roulant.
- Une vision adéquate est exigée pour opérer le fauteuil en toute sécurité dans l'environnement de l'utilisateur.
- Le fauteuil n'est pas prévu pour être occupé par plus d'une personne à la fois.
- Ne laissez pas les enfants utiliser le fauteuil roulant sans surveillance.

⚠ ATTENTION !

- Il incombe à l'utilisateur du fauteuil roulant de respecter les réglementations locales en vigueur relatives à la sécurité.

Accompagnateurs

En présence d'un module de commande Accompagnateur, le fauteuil électrique peut être manipulé par un accompagnateur.

En présence d'un double module de commande, le fauteuil électrique peut être manipulé par l'utilisateur, qui peut à tout moment transférer la commande à l'accompagnateur.

- Lisez tous les avertissements et respectez toutes les consignes présentes dans ce manuel. Les avertissements adressés à l'utilisateur valent également pour vous.
- Ne montez pas et ne vous asseyez pas sur le système d'assise.
- Travaillez en collaboration avec l'utilisateur, le médecin, l'infirmière ou le thérapeute de l'utilisateur afin d'apprendre à connaître les méthodes les mieux adaptées à vos capacités et à celles de l'utilisateur.
- Vérifiez que les poignées ne tournent pas dans le vide et ne glissent pas.
- Assurez-vous de toujours pouvoir accéder facilement aux commandes Accompagnateur lorsque le fauteuil est en déplacement et vérifiez que le boîtier de commande est solidement fixé au fauteuil.
- Réglez la vitesse de la commande Accompagnateur à un niveau que vous pouvez suivre confortablement.
- Éteignez toujours votre boîtier de commande lorsque vous laissez l'utilisateur dans le fauteuil.

3.2 Champ d'application : Environnement de l'utilisateur

Ce fauteuil roulant est prévu pour un usage à l'intérieur et à l'extérieur (EN12184 (2014) classe B). Lorsque vous utilisez le fauteuil en extérieur, roulez exclusivement sur des routes, trottoirs, chaussées et pistes cyclables goudronnés. Adaptez la vitesse à l'environnement.

⚠ AVERTISSEMENT !

- Roulez prudemment sur les chaussées glissantes dues à la pluie, au verglas ou à la neige.
- Allumez les feux d'éclairage lorsque la visibilité est limitée.
- Faites preuve d'une vigilance accrue lorsque vous roulez à vive allure. Réduisez votre vitesse lorsque vous évoluez à l'intérieur, sur le trottoir et en zones piétonnes.
- Ne tentez pas de surmonter des obstacles trop élevés.
- Ne lestez pas le fauteuil d'un poids supplémentaire sans l'approbation d'un spécialiste qualifié. Cela pourrait altérer la stabilité du fauteuil.

⚠ ATTENTION !

- Évitez tout contact entre le fauteuil et l'eau de mer : l'eau de mer est caustique et risque d'endommager le fauteuil.
- Évitez tout contact entre le fauteuil et le sable : le sable peut s'introduire dans les organes mobiles et entraîner leur usure prématurée et généralisée.
- N'utilisez pas le fauteuil si les températures sont inférieures à -25°C ou supérieures à $+50^{\circ}\text{C}$.
- N'ouvrez pas les portes en les poussant à l'aide des repose-jambes.
- N'utilisez pas le fauteuil pour pousser et/ou tracter des objets.
- Ne roulez pas dans les flaques d'eau.

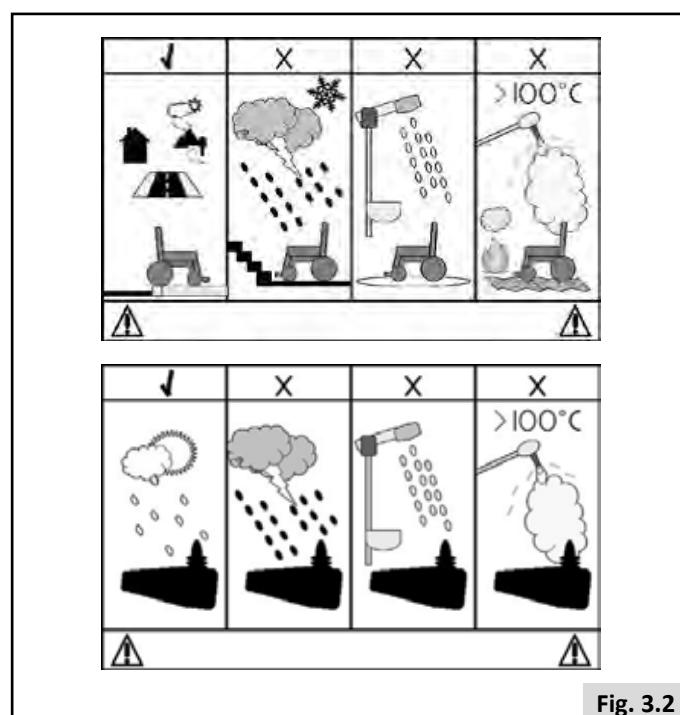



Fig. 3.2

4.0 Configuration du fauteuil roulant

Les fauteuils Sunrise Medical peuvent être ajustés en fonction des besoins des utilisateurs.

À cet égard, nous faisons la distinction entre les paramètres de configuration du fauteuil et les options de réglage d'assise. Les réglages sont effectués une seule fois, lorsque le fauteuil est sur le point d'être utilisé. Les réglages doivent être réalisés par un spécialiste, sauf indication contraire. Les réglages d'assise peuvent être effectués par l'utilisateur. Les options de réglage ne nécessitent pas l'utilisation d'outils.

4.1 Système d'assise

Les nombreux paramètres relatifs au système d'assise permettent un support optimal du corps ( Système d'assise). Les options de réglage suivantes sont possibles :

1. Profondeur et largeur du siège
2. Angle d'inclinaison du dossier
3. Largeur/hauteur de l'accoudoir
4. Longueur du segment jambier
5. Angle d'inclinaison des palettes
6. Angle du repose-pied

4.2 Hauteur du siège

La hauteur du siège peut être adaptée aux besoins spécifiques de l'utilisateur. Chaque hauteur de siège prévoit une inclinaison maximale de sécurité conforme à la norme EN12184 (2014) Classe B. Plus le siège est bas, plus la stabilité (dynamique) du fauteuil est élevée.



AVERTISSEMENT !

Plus le siège est haut, plus la stabilité (dynamique) du fauteuil est réduite.


4.3 Centre de gravité



DANGER !

Le bon réglage du centre de gravité d'un fauteuil roulant électrique est à la fois physiquement exigeant et essentiel pour la sécurité. Sunrise Medical recommande de confier ce réglage à un service après-vente/revendeur agréé.

4.4 Hauteur et profondeur du boîtier de commande

( Système d'assise).

4.5 Programmation du système de commande

Ce fauteuil est équipé d'un système de commande programmable à partir de paramètres de réglage. Il s'agit d'une opération spécialisée qui exige une formation particulière et qui ne peut être effectuée qu'avec un logiciel professionnel. L'utilisateur final n'est pas autorisé à ajuster ces réglages.



DANGER !

Le réglage incorrect des paramètres du système de commande peut engendrer des situations très dangereuses. Les réglages doivent être effectués par des spécialistes.

5.0 Utilisation du fauteuil roulant

DANGER !

- Les paramètres du boîtier de commande devront éventuellement être ajustés.
- Contactez immédiatement votre revendeur agréé afin de faire contrôler la configuration de vos paramètres si vous remarquez un changement dans votre capacité à :

1. Contrôler le joystick
2. Maintenir votre torse droit
3. Éviter les obstacles.

5.1 Vérification du fauteuil roulant avant utilisation


Procédez aux contrôles de routine quotidiens suivants avant chaque utilisation :

ATTENTION !


Vérification des roues et des pneus

- Les pneus sont-ils suffisamment gonflés (Chapitre 8.2).

Vérification des batteries

- Avant d'utiliser votre fauteuil roulant pour la toute première fois, vous devrez charger les batteries pendant 24 heures.
- Les batteries sont-elles suffisamment chargées ? Le témoin vert de l'indicateur doit être allumé.  Boîtier de commande

Vérification des feux et des clignotants

- Avant l'utilisation en extérieur de nuit, assurez-vous que les feux et les clignotants fonctionnent correctement et que les lentilles sont propres.  Boîtier de commande.

Vérification du joystick

- Une fois le manipulateur éteint, vérifiez que le joystick ne soit ni tordu ni endommagé et qu'il se replace au centre quand vous le poussez et le relâchez.

Vérification du levier de débrayage

- Vérifiez que le levier de débrayage est en position 'Conduite'. (Chapitre 5.8).

Vérification de l'assise

- Vérifiez que tous les coussins sont en place.
- Vérifiez que le dossier est correctement monté et réglé.
- Inspectez visuellement le fauteuil pour vérifier que les repose-jambes, accoudoirs, etc. sont bien positionnés et solidement fixés au fauteuil et que toutes les fixations sont suffisamment serrées.
- Vérifiez que les boulons de l'interface d'assise sont bien serrés.

Vérification des vêtements

- Lorsque vous utilisez le fauteuil roulant, vérifiez que vos vêtements (s'ils sont longs et amples) ne risquent pas de se prendre dans les organes mobiles/rotatifs du fauteuil. Avant chaque départ, vérifiez que vos vêtements ou accessoires n'entrent pas en contact avec les roues ou tout autre organe mobile et/ou rotatif.

Vérification des conditions météorologiques

- L'hiver, les batteries ont une autonomie réduite. Pendant les périodes de gèle léger, l'autonomie des batteries se situe à environ 75 % de la capacité normale. Lorsque les températures descendent en dessous de -5 °C, l'autonomie est ramenée à environ 50 %, réduisant ainsi les distances pouvant être parcourues.


5.2 Monter et descendre du fauteuil

Sunrise Medical vous recommande de consulter un spécialiste qui vous aidera à développer une technique personnelle pour monter et descendre d'un fauteuil roulant, frontalement ou latéralement. Vous éviterez ainsi tout risque d'accident et d'éventuelles blessures.

Préparation pour un transfert vers l'avant :




Il est dangereux de monter et de descendre du fauteuil lorsque vous êtes seul. Cela nécessite un bon équilibre et de l'agilité. Sachez qu'à chaque fois que vous montez ou descendez de votre fauteuil, il y a toujours un bref instant où celui-ci ne se trouve pas sous vous.

Pour de plus amples renseignements et avertissements reportez-vous au Système d'assise .

5.3 Conduite du fauteuil roulant



- Il incombe à l'utilisateur du fauteuil roulant de respecter les réglementations locales en vigueur relatives à la sécurité.

Les fauteuils roulants électriques sont actionnés au moyen d'un boîtier de commande. Un manuel spécifique est consacré au boîtier de commande et livré avec le fauteuil roulant ( Boîtier de commande).

1. Allumez le boîtier de commande.
2. Réglez la limite de vitesse maximale.
3. Actionnez le joystick dans la direction que vous souhaitez emprunter.
4. Plus vous poussez le joystick vers l'avant, plus la vitesse augmente.

Rétroviseur



- Afin d'éviter de blesser les gens autour de vous, n'oubliez pas de prendre en compte le dépassement des rétroviseurs en dehors de l'espace du fauteuil qui pourrait blesser des gens au moment où vous les croisez.
- Le rétroviseur doit être utilisé sur le modèle à vitesse supérieure à 6 km/h sur les routes conformément à la Loi locale.
- Toujours s'assurer que lorsque vous utilisez les rétroviseurs, ceux-ci sont propres et ne sont pas cassés afin de pas à gêner votre visibilité.

Utilisation sur la route

Soyez très attentif à la circulation sur la route.

DANGER !

- N'oubliez pas que les chauffeurs de voitures ou de camions ne s'attendent certainement pas à voir un fauteuil roulant descendre d'un trottoir en marche arrière.
- S'il y a le moindre danger, ne prenez pas le risque de traverser la route.
- Traversez toujours les routes le plus rapidement possible.
- Ne conduisez pas sur des objets qui pourraient crever les pneus.
- Assurez-vous qu'il n'y a pas d'objet dans la trajectoire qui pourrait se loger dans le mécanisme de votre fauteuil ou dans les rayons des roues arrière. Ceci pourrait entraîner un arrêt soudain du fauteuil.
- Passer sur des bouches d'égout ou des grilles risque de bloquer les roulettes ou les roues de votre fauteuil roulant, entraînant un arrêt brutal du fauteuil.

Conditions défavorables :

Vous devez savoir que lorsque vous utilisez votre fauteuil dans des conditions défavorables, telles que sur des surfaces couvertes d'herbe mouillée, de boue, givre, neige ou sur des surfaces glissantes, l'adhérence et la traction de votre fauteuil peuvent être réduites.

DANGER !

- Nous vous recommandons de toujours agir avec la plus grande vigilance dans ces conditions, surtout en pentes, car votre fauteuil roulant pourrait perdre de sa stabilité ou glisser et vous blesser.
- Évitez de porter des vêtements amples ou longs lorsque vous utilisez un fauteuil roulant électrique. Les organes mobiles, comme les roues, peuvent être potentiellement dangereux, voire mortels, si un vêtement vient à se prendre dedans.

REMARQUE :

Des variations climatiques extrêmes peuvent déclencher le mécanisme d'auto-protection du système de commande. Si tel est le cas, ce dernier s'arrêtera provisoirement afin d'éviter d'endommager des composants électroniques de votre fauteuil.

5.4 Virages

DANGER !

Il est déconseillé de prendre des virages prononcés à vive allure. Avant de négocier un virage, réduisez la vitesse à l'aide de votre joystick ou commande de vitesses. Ceci est primordial surtout lorsque vous vous trouvez dans une pente. A défaut, vous risquez de faire basculer le fauteuil roulant.

AVERTISSEMENT !

Pensez à utiliser vos clignotants lorsque vous changez de direction.

5.5 Freinage et arrêt d'urgence

- Il existe trois possibilités pour arrêter votre fauteuil roulant.
- Le moyen le plus sûr et le plus simple d'arrêter votre fauteuil est de lâcher le joystick. Cela arrêtera le fauteuil de façon contrôlée.
- Tirer le joystick vers l'arrière arrêtera le fauteuil brutalement et rapidement.
- Éteindre le système de commande pendant que le fauteuil est en mouvement aura également pour effet d'arrêter le fauteuil roulant.

AVERTISSEMENT !

- N'éteignez le système de commande que dans des situations d'urgence car l'arrêt du fauteuil est très brutal.
- Ne tentez jamais de ralentir ou de stopper le système à l'aide des freins d'immobilisation (le cas échéant). Les freins d'immobilisation sont destinés à empêcher tout déplacement indésirable du fauteuil lorsque celui-ci est déjà immobilisé. Ils ne sont pas destinés à freiner un fauteuil en mouvement.

5.6 Utilisation en pente

Votre fauteuil roulant a été conçu et testé pour être utilisé sur une pente maximale de :

Q700 M : 10° (17,6%) en configuration standard.

Q700 F : 8° (14%) en configuration standard.

Q700 R : 10° (17,6%) en configuration standard.

Vous pouvez cependant ajuster votre position avec le lift, le mécanisme de bascule d'assise, le mécanisme électrique d'inclinaison du dossier ou le repose-jambes central électrique ou ces options combinées.

DANGER !

- Les différents réglages du module lift/bascule d'assise et du repose-jambes peuvent modifier le centre de gravité du fauteuil. et dans certains cas, altérer la stabilité du fauteuil et entraîner son basculement accidentel. Si les réglages du fauteuil sont portés aux valeurs extrêmes, il convient d'effectuer une évaluation des risques.
- Les distances d'arrêt en pente peuvent être considérablement plus longues que sur un terrain plat.

DANGER !

- Dans certaines circonstances votre fauteuil roulant peut perdre de sa stabilité.
- Avant de monter ou de descendre une pente ou un trottoir, soyez très prudent lorsque vous utilisez les options de transfert de poids (par ex. inclinaison ou verticalisation électrique) du siège et/ou de votre corps pour faire contrepoids.
- Pour améliorer la stabilité penchez-vous vers l'avant lors de la montée d'une côte, avec le siège et le dossier en position droite.
- Inversement, adoptez une position droite lorsque vous vous déplacez vers l'avant, en descente et/ou inclinez le siège vers l'arrière.
- Avant de monter ou de descendre une pente, il est vivement recommandé de ramener le siège et le dossier en position neutre. Le non-respect de cette recommandation pourrait déstabiliser votre fauteuil roulant.
- Si vous ne connaissez pas le comportement de votre fauteuil en pente, n'essayez pas de monter ou de descendre une pente/un trottoir. Empruntez un autre chemin.

Pentes : montées :

AVERTISSEMENT !

- Lorsque vous montez une pente, vous ne devez pas vous arrêter.
- Dirigez-vous en actionnant délicatement le joystick vers l'avant tout en l'inclinant légèrement vers la droite ou la gauche pendant le déplacement.
- Si vous devez vous arrêter dans une montée, redémarrez tout doucement.
- Si nécessaire, penchez-vous vers l'avant.

Pentes : descentes :

Dans les descentes, il est important de ne pas laisser le fauteuil gagner trop de vitesse et dépasser sa vitesse normale.

DANGER !

- Déplacez-vous lentement dans les pentes descendantes (vitesse inférieure à 5 km/h) et n'hésitez pas à vous arrêter si vous avez la moindre appréhension.
- Si le fauteuil prend trop de vitesse, placez le joystick en position neutre pour le ralentir ou l'arrêter.
- Redémarrez et ne laissez pas le fauteuil accélérer au-delà de la vitesse qui vous convient.

REMARQUE :

- Le boîtier de commande est doté d'un système logique qui permettra de compenser lors de l'utilisation du fauteuil en pente ou en montée. Il s'agit d'une caractéristique de sécurité supplémentaire dont est équipé votre fauteuil. Par ailleurs, vous pouvez bien entendu contrôler la vitesse du fauteuil en utilisant le régulateur de vitesse.

5.7 Obstacles et trottoirs :



- Ne descendez jamais d'un trottoir en marche arrière.
- N'essayez pas de monter ou de descendre des marches, ni d'emprunter les escalators. Cela est très dangereux et vous pourriez vous blesser et endommager votre fauteuil roulant. Ce fauteuil a été conçu pour monter un trottoir ou une marche à la fois.
- Il est recommandé aux utilisateurs ayant une instabilité posturale au niveau du tronc, de porter un système de retenue afin de maintenir le haut de leur corps en position droite lorsqu'ils montent ou descendent des rampes et des trottoirs ou lorsqu'ils franchissent des obstacles.

Montée des trottoirs :

Toujours se présenter à 90° devant un trottoir (Fig. 5.5).

- Approchez-vous du trottoir ou de la marche, de face, à un angle de 90°.
- Avancez lentement et sans à-coup.
- Arrêtez le fauteuil dès que les roulettes touchent la bordure du trottoir.
- Accélérez pour élever l'avant du fauteuil et monter sur le trottoir ou la marche, puis accélérez encore un peu de sorte que les roues motrices puissent monter sur le trottoir ou la marche sans à-coup.
- Dans la mesure du possible, veillez à maintenir le joystick en position Marche avant, sans dévier.

La hauteur maximale des obstacles que le fauteuil peut franchir est de :

- Q700 M : 100 mm.
- Q700 F : 70 mm.
- Q700 R : 80 mm.
- Q700 R + monte-trottoir : 100 mm.

La procédure et la vitesse d'approche peuvent varier selon le type de conduite et les roulettes de votre fauteuil.

Descendre d'un trottoir.



Avancez lentement et prudemment jusqu'à ce que les deux roues avant se trouvent sur le bord du trottoir, à un angle à 90°. (Fig. 5.3).

Descendez aussi lentement que possible du trottoir avec les roues motrices. Une fois que vous avez commencé à descendre du trottoir, ne vous arrêtez pas. Vous vous sentirez plus en sécurité si vous pouvez vous pencher en arrière, mais si cela n'est pas possible, ne vous inquiétez pas car votre fauteuil est stable. et dans la mesure où vous respectez les limites indiquées, vous serez en sécurité.

Toutes les options d'assise électriques doivent être désactivées et en position neutre. Vous devez éventuellement régler vos repose-jambes électriques afin d'avoir assez de place pour monter ou descendre du trottoir.

Il est recommandé d'utiliser la ceinture sous-abdominale lorsque vous descendez d'un trottoir. Pour une protection accrue, il est recommandé d'équiper tous les fauteuils roulants de repose-jambes.

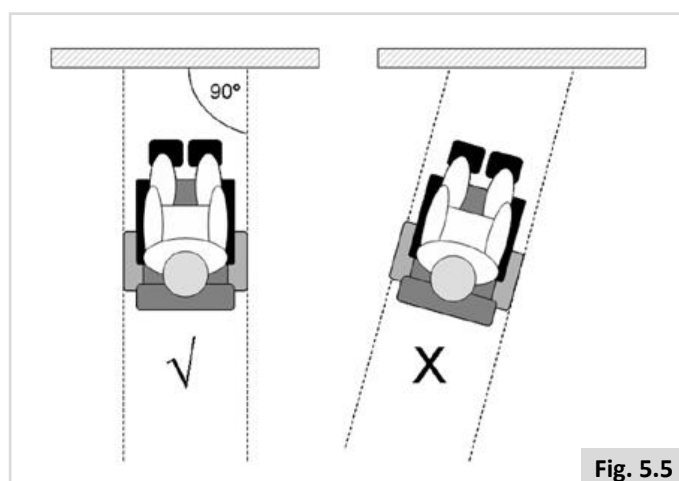


Fig. 5.5

5.8 Pousser le fauteuil roulant

Le fauteuil roulant peut également être poussé. Pour ce faire, les moteurs doivent être débrayés à l'aide du levier de débrayage. Cette caractéristique, pensée pour les accompagnateurs, sert également de levier de débrayage d'urgence.

Le levier de débrayage possède 2 positions

1. Pour la conduite du fauteuil : (Fig. 5.6).

Position 'Conduite' : Tournez le levier de sorte que le levier situé du côté de la roue motrice soit orienté vers le haut.

2. Pour le débrayage des moteurs : (Fig. 5.7 - Fig. 5.8).

Position 'Poussée' : Tournez le levier de sorte que le levier situé du côté de la roue motrice soit orienté vers le bas.

DANGER !

- Le levier de débrayage doit toujours être actionné par l'accompagnateur, jamais par l'utilisateur lui-même.
- Ne laissez jamais un fauteuil en position 'Poussée' sans surveillance avec son utilisateur à son bord.
- Ne placez jamais le levier en position 'Poussée' quand vous êtes en pente. Lorsque le levier de débrayage est placé sur 'Poussée', le frein de stationnement automatique est désactivé. Le fauteuil pourrait alors reculer dans la pente.
- Le frein de stationnement automatique n'est activé que lorsque le levier est en position 'Conduite'.
- Dès que le fauteuil n'est plus poussé par un accompagnateur, il convient de remettre le levier de débrayage en position 'Conduite'.
- Pour pouvoir pousser le fauteuil manuellement, vous devez débloquer les freins moteurs.
- N'activez ou ne désactivez les freins moteurs que lorsque votre fauteuil est éteint.
- Avant de débloquer les freins moteurs, assurez-vous de bien contrôler le fauteuil. Une fois qu'ils sont débloqués, le fauteuil n'a plus de frein.
- Débloquez les freins moteurs lorsque le fauteuil se trouve sur une surface plane.
- Poussez le fauteuil à l'aide des poignées uniquement. Elles vous permettent de contrôler fermement l'arrière du fauteuil pour éviter les risques de basculement.
- Vérifiez que les poignées ne tournent pas dans le vide et ne glissent pas.

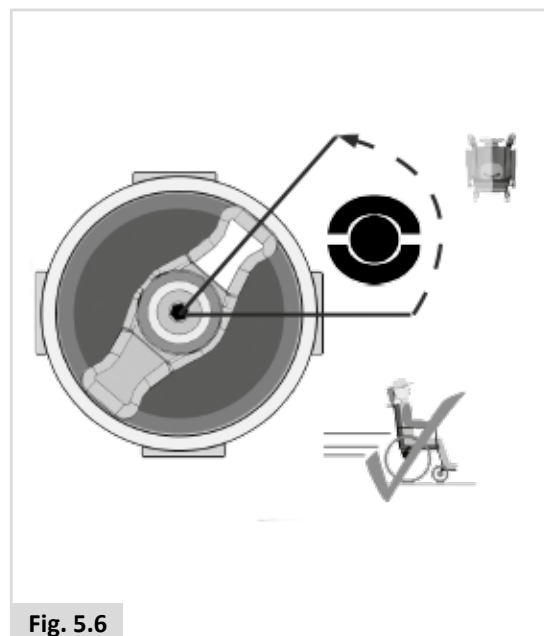


Fig. 5.6

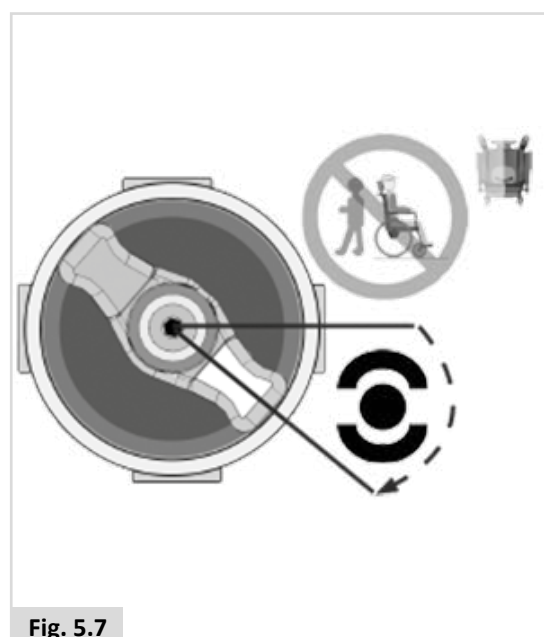


Fig. 5.7

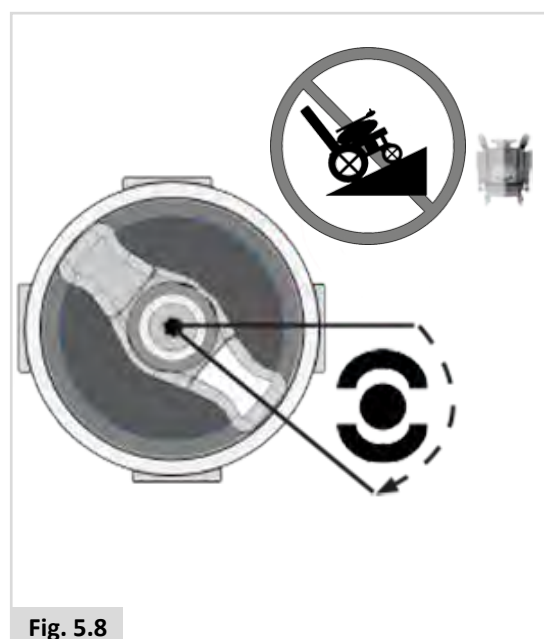




Fig. 5.8

5.9 Options d'assise (électriques)

Le fauteuil peut être équipé des options mécaniques et/ou électriques suivantes pour ajuster votre position d'assise. Ces options peuvent être actionnées sans utiliser d'outils.

Options d'assise électriques (Fig. 5.9 - Fig. 5.11).

Vous trouverez les consignes relatives aux options d'assise électriques dans le  Boîtier de commande +  :

1. Option de bascule d'assise électrique
2. Option du lift électrique
3. Option d'inclinaison de dossier électrique
4. Option repose-jambes électriques

DANGER !

- L'utilisation des options d'assise électriques peut influencer sur la stabilité du fauteuil.
- Actionnez les options d'assise électriques uniquement lorsque le fauteuil se trouve sur une surface plane. Ne tentez jamais d'actionner une option d'assise électrique lorsque le fauteuil se trouve en pente.
- Veillez à ne pas vous coincer les doigts ou les vêtements dans les organes mobiles. Les mécanismes électriques de Sunrise Medical présentent un débattement important. L'utilisateur doit tenir compte de son environnement lorsque les organes mobiles sont actionnés.
- Soyez vigilant lorsque vous vous déplacez en position d'assise basculée, élevée ou inclinée.
- Ne tentez jamais d'actionner une option d'assise électrique pendant le déplacement.
- Ne tentez pas d'actionner les options de lift ou de bascule d'assise en présence d'enfants.
- La programmation permet d'inverser la direction de toutes les fonctions d'assise électriques, assurez-vous de savoir dans quelle direction le siège va se déplacer avant d'actionner la fonction.
- À noter que le module lift/basculé d'assise présente un risque de pincement de certaines parties du corps. Pour éviter tout risque de blessure, lorsque vous activez le module lift/basculé d'assise, éloignez vos mains, vos pieds, vos vêtements et toute autre partie du corps susceptible d'être pincée.
- Ne placez jamais votre siège en position surélevée lorsque le fauteuil se déplace sur une rampe ou en pente. Avant de négocier une pente ou une côte, ramenez le fauteuil en position d'assise normale, avec le dossier à la verticale.
- Ce système électrique a été conçu pour réduire automatiquement la vitesse maximale de conduite et pour activer le mode Ralenti ou l'arrêt lorsque certaines limites d'options d'assise électriques sont atteintes. Selon la configuration du fauteuil, il peut exister plusieurs vitesses en mode Ralenti.

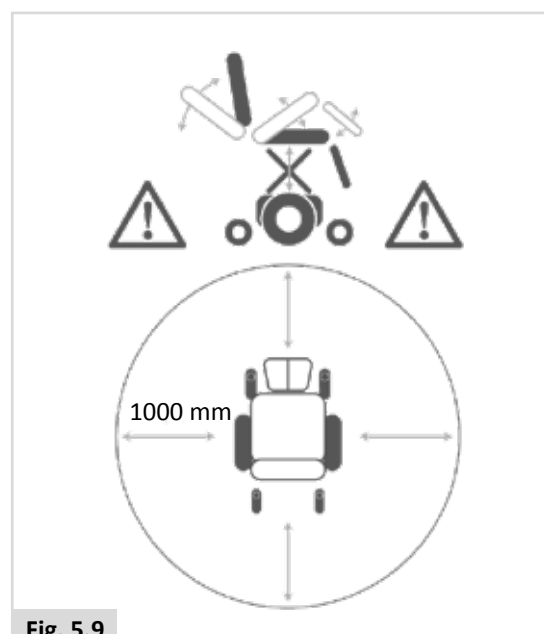


Fig. 5.9



Fig. 5.10

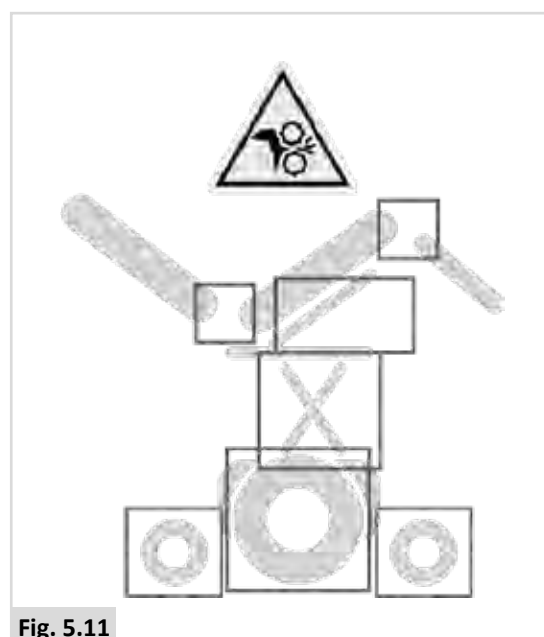


Fig. 5.11

5.10 Positions de siège mémorisées (Sedeo Ergo seulement)

Le système de commande du Q700 M/F/R possède 4 positions de siège mémorisées. Chaque position est associée à un ensemble de réglages d'assise prédéfinis en usine :

1. Fonction Relax.
2. Fonction Couchée.
3. Fonction Assise

Il existe une 4ème position mémorisée (Position personnalisée) pouvant servir de position d'assise personnalisée. Les vérins d'assise fonctionnent tous avec un système de retour d'informations permettant de suivre leurs positions et leurs mouvements.

Cela est important :

- a. pour atteindre la position mémorisée requise.
- b. pour éviter les télescopages mécaniques du siège.
- c. pour une action ergonomique, souple et sécurisée des vérins, en particulier ceux des positions mémorisées.

Bien qu'il existe une position de siège mémorisée programmable, toutes les positions mémorisées prédéfinies peuvent également être modifiées et personnalisées en fonction des besoins de l'utilisateur si celles-ci ne lui conviennent pas.

Le logiciel prend en compte l'amplitude des mouvements mécaniques disponibles, ainsi que les aspects liés à la sécurité.

Fonction Assise :

La fonction d'assise décrite au n°3 ci-dessus est une position « standard » prédéfinie.

Elle permet également de toujours regagner cette position « standard » si vous tentez d'autres positions enregistrées (Position relax ou couchée) Pour ce faire, tirez le joystick vers l'arrière.

6.0 Batteries, recharge et autonomie

6.1 Batteries

Les batteries sont la source d'énergie de pratiquement tous les véhicules modernes de mobilité fabriqués aujourd'hui. La conception des batteries utilisées pour les véhicules de mobilité est radicalement différente de celles utilisées pour démarrer les voitures. Les batteries de voiture sont conçues pour produire une grande quantité d'énergie sur une courte période, tandis que les batteries de mobilité (souvent appelées batteries à décharge poussée) libèrent leur énergie uniformément et sur une longue période. Ainsi, en raison des faibles volumes de production et des exigences technologiques de plus en plus rigoureuses, les batteries de mobilité coûtent beaucoup plus cher.

Généralement, les véhicules de mobilité sont équipés de deux batteries de 12 volts, soit une tension totale de 24 volts. La capacité des batteries, (c'est-à-dire la puissance disponible) s'exprime en ampères par heure, par exemple 70 amp/h. Plus le chiffre est élevé, plus la capacité, le poids et l'autonomie de la batterie sont élevés et plus la distance pouvant être parcourue est grande. Sunrise Medical n'équipe ces types de fauteuils roulants qu'avec des batteries sans entretien.

Ce type de batterie transfère l'électrolyte appelé couramment « acide de remplissage », contenu dans le boîtier de la batterie. Comme son nom l'indique, cette batterie ne nécessite aucun entretien, si ce n'est de la recharger régulièrement. Ce type de batterie se laisse transporter en toute sécurité, sans risque de déversement d'acide. **De plus ces batteries sont autorisées à bord des avions, des bateaux et des trains.**

ATTENTION !

- N'utilisez pas des batteries de voiture pour votre fauteuil. Utilisez exclusivement des batteries sans entretien à décharge poussée.
- Lorsque les batteries sont usées, confiez-les à votre centre d'élimination spécialisé le plus proche.
- N'exposez jamais les batteries à une source de chaleur directe (comme par exemple, une flamme, ou un chauffage à gaz).
- Faites particulièrement attention à ne jamais faire tomber un objet métallique sur les batteries. Cela pourrait provoquer un court-circuit dans les batteries ou tout autre composant électrique, et causer une explosion. Lorsque vous manipulez les batteries, retirez tout objet personnel métallique que vous pouvez éventuellement porter.
- Renvoyez les batteries à Sunrise Medical ou au fabricant afin de les recycler, quand elles ne sont plus en état d'être chargées.
- Inspectez régulièrement les bornes des batteries afin de détecter toute trace éventuelle de corrosion. S'il y en a, nettoyez soigneusement les bornes et passez de la graisse sur les bornes. Il ne s'agit pas de graisse ordinaire, mais d'une graisse industrielle. Assurez-vous que l'écrou et le boulon des bornes, le clip de fixation du câble et le câble exposé sont complètement enduits de graisse.

DANGER !

- N'exposez jamais les batteries à une source de chaleur directe (comme par exemple, une flamme, ou un chauffage à gaz).
- Faites particulièrement attention à ne jamais faire tomber un objet métallique sur les batteries. Cela pourrait provoquer un court-circuit dans les batteries ou tout autre composant électrique, et causer une explosion. Lorsque vous manipulez les batteries, retirez tout objet personnel métallique que vous pouvez éventuellement porter.

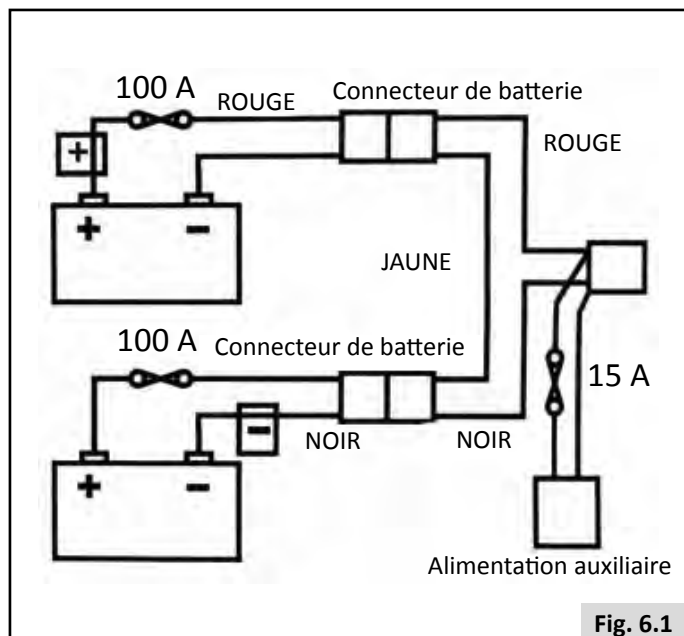


Fig. 6.1

⚠ DANGER !

- Vous ne devez en aucun cas manipuler les batteries vous-même. En cas de doute, n'hésitez pas à contacter votre revendeur agréé Sunrise Medical.
- Évitez le contact avec de l'acide sur les batteries dont l'extérieur est endommagé ou sur des batteries mouillées.
- L'acide de batterie peut causer des lésions cutanées et abîmer vos sols, vos meubles et votre fauteuil roulant.
- En cas de contact entre l'acide de batterie et la peau ou les vêtements, rincez immédiatement à l'eau savonneuse.
- En cas de contact entre l'acide de batterie et les yeux, lavez à grande eau froide pendant au moins 10 minutes et consultez un médecin immédiatement.
- L'effet de l'acide peut être neutralisé avec du bicarbonate de soude et de l'eau.
- Veillez à toujours maintenir les batteries en position verticale, surtout pendant le transport de votre fauteuil roulant.

Coupe-circuit

En cas de court-circuit, votre fauteuil est doté de plusieurs systèmes de sécurité intégrés permettant de protéger les circuits électriques, (Fig. 6.1).

1. Des liens fusibles de 100 A sont branchés aux harnais des batteries afin de protéger les batteries et le câblage.
2. Les fusibles de circuits auxiliaires 15 A pour les modules auxiliaires et pour l'alimentation du siège.

Pour les remplacer, contactez votre revendeur agréé Sunrise Medical, qui sera également en mesure de diagnostiquer l'anomalie d'origine.

6.2 Recharger les batteries :

📖 Chargeur de batteries : Lisez attentivement le manuel d'utilisation fourni avec le chargeur. Les procédures générales et les effets d'interférence avec le fauteuil et les batteries restent valides.



Consignes relatives à l'entretien des batteries


Vous trouverez ci-dessous diverses recommandations relatives à l'utilisation des batteries. Ces recommandations ont été convenues entre Sunrise Medical et le fabricant de batteries pour vous permettre d'optimiser la capacité de vos batteries. Le non-respect de ces consignes risque de nuire aux performances de votre véhicule de mobilité.

- N'utilisez qu'un chargeur Sunrise Medical agréé compatible avec le véhicule à recharger.
- Rechargez vos batteries toutes les nuits, indifféremment de l'utilisation faite de votre véhicule de mobilité pendant la journée.
- N'interrompez pas le cycle de recharge.
- Il est conseillé de laisser votre fauteuil branché au chargeur pendant les périodes de non-utilisation. Ceci n'endommagera pas les batteries, dans la mesure où le chargeur est lui-même branché au secteur. Ne laissez pas votre fauteuil branché au chargeur si lui-même n'est pas branché. Cela aura pour effet de finalement décharger vos batteries.
- Si vous n'utilisez pas votre fauteuil roulant pendant une période prolongée (plus de 15 jours) chargez entièrement vos batteries, puis débranchez le cordon d'alimentation de la batterie.
- Si vous ne rechargez pas les batteries, elles s'en trouveront endommagées et leur autonomie en sera réduite.
- Ne rechargez pas vos batteries durant la journée entre deux trajets. Attendez le soir pour effectuer une recharge complète pendant la nuit.
- En règle générale, les batteries ne nécessitant pas d'entretien sont plus longues à recharger que les batteries "humides" au plomb.
- Inspectez régulièrement les bornes des batteries afin de détecter toute trace éventuelle de corrosion. S'il y en a, nettoyez soigneusement les bornes et passez de la graisse sur les bornes. Il ne s'agit pas de graisse ordinaire, mais d'une graisse industrielle. Assurez-vous que l'écrou et le boulon des bornes, le clip de fixation du câble et le câble exposé sont complètement enduits de graisse.
- Le respect des conseils énumérés ci-dessus permettra de prolonger la durée de vie de vos batteries et les distances pouvant être parcourues, vous procurant ainsi un plus grand confort.

Connexion du chargeur de batterie

Procédure de connexion du chargeur et recharge

- Mettez le boîtier de commande hors tension.  Boîtier de commande :
- Branchez la prise arrondie du chargeur dans la fiche de recharge à l'avant du manipulateur.  Boîtier de commande :
- Branchez le chargeur au secteur et allumez-le.

Pour de plus amples informations sur le fonctionnement du chargeur, consultez les instructions fournies avec.  CHARGEUR DE BATTERIES. Selon le degré de décharge des batteries, il peut falloir jusqu'à 12 heures pour les recharger complètement.

DANGER !

- Assurez-vous d'avoir placé le cordon d'alimentation dans un endroit où personne ne risque de trébucher dessus et de l'abîmer.
- Ne posez pas les batteries sur le chargeur.
- Ne posez pas le chargeur sur une moquette ou toute autre surface molle. Posez-le toujours sur une surface rigide.
- N'utilisez pas le chargeur s'il a reçu un coup, s'il est tombé à terre ou s'il est abîmé. Apportez-le à un technicien qualifié.
- Ne placez jamais le chargeur directement au-dessus des batteries en état de charge : les gaz dégagés par les batteries créent de la corrosion et endommageront le chargeur.
- Ne chargez jamais une batterie gelée. Rares sont les batteries qui, si elles sont complètement rechargées, gèlent, mais l'électrolyte d'une batterie déchargée gèle à -9°C . Si vous pensez qu'une batterie est gelée, laissez-la complètement décongeler avant de la recharger.
- Ne faites jamais reposer le chargeur sur vos genoux pendant la recharge des batteries.
- Le chargeur chauffe pendant son fonctionnement et pourrait vous brûler.
- Ne démontez pas le chargeur : seul le fabricant est qualifié pour le réparer. Un assemblage incorrect pourrait entraîner une électrocution ou provoquer un incendie.
- Pour réduire les risques d'électrocution, débranchez le chargeur de la prise avant d'entreprendre toute opération d'entretien ou de nettoyage. Le mettre hors tension ne suffit pas.
- Ne fumez jamais et ne placez jamais les batteries ou le chargeur à proximité d'étincelles ou de flammes.
- Ne rechargez pas vos batteries à l'extérieur.
- Il est conseillé d'utiliser un détecteur de fumée dans la zone de recharge.

Chargeur de batteries

Le chargeur externe a été conçu pour recharger deux batteries gel de 12 volts connectées en série (= 24 V).

Les chargeurs sont dotés de caractéristiques prévenant tout risque d'accident susceptible de survenir à la suite d'un mauvais branchement des batteries, d'une surchauffe résultant d'un emplacement du chargeur dans un endroit contre-indiqué ou d'une recharge des batteries à une tension autre que celle indiquée.

La plupart des chargeurs sont dotés d'un dispositif antichoc électrique et il n'est pas nécessaire de les relier à la terre. Il se peut que certains autres chargeurs de plus grande capacité soient reliés à la terre, auquel cas cela sera clairement stipulé sur l'étiquette.

Si votre chargeur a été adapté pour un usage en Europe continentale, il sera équipé d'une prise à deux broches, laquelle ne contient pas de fusible. Dans ce cas précis, le fusible sera placé dans le panneau frontal du chargeur.

Informations spécifiques au pays : R.U.

La prise de courant anglaise à 3 fiches contient un fusible remplaçable. Le calibre de ce fusible est indiqué sur l'étiquette du chargeur.

DANGER !

- Comme avec tous les équipements électriques courants, remplacez toujours un fusible qui a sauté par un fusible du même type et du même calibre.
- L'installation de fusibles différents pourrait provoquer un incendie, endommager le chargeur ou empêcher le chargeur de fonctionner correctement.

6.3 Autonomie de votre véhicule :

Pour toute information sur la consommation énergétique, reportez-vous aux tableaux en fin de manuel.

La plupart des fabricants de véhicules de mobilité donnent une indication des distances pouvant être parcourues par leurs véhicules, que ce soit dans leurs brochures de vente ou dans les manuels d'utilisation. Les distances peuvent toutefois varier d'un fabricant à l'autre, même si la capacité des batteries est la même. Sunrise Medical prend soin de mesurer la distance que peuvent parcourir ses véhicules de manière cohérente et uniforme, mais des variations peuvent se produire en raison de la puissance du moteur et du poids total chargé.

Les chiffres sont calculés conformément à la Norme I.S.O. 7176. Section 4 : Consommation d'énergie des fauteuils roulants pour la détermination de la distance théorique.

Ce test a été réalisé dans des conditions contrôlées avec des batteries neuves et entièrement chargées, sur une surface plane et avec un utilisateur pesant 100 kg. Les chiffres avancés doivent être considérés comme des valeurs maximales théoriques et peuvent être inférieurs si l'on prend en compte l'un ou plusieurs des éléments énumérés ci-dessous :

- L'utilisateur pèse plus de 100 kg.
- Les batteries sont vieilles et leur état n'est pas parfait.
- Le terrain est difficile, à savoir très vallonné, en pente, boueux, avec des graviers, de la pelouse, de la neige ou de la glace.
- Le véhicule monte régulièrement sur les trottoirs.
- La température ambiante est soit très élevée, soit très basse.
- Mauvaise pression d'un ou de plusieurs pneus.
- Nombreux démarrages et arrêts consécutifs.
- Les moquettes très épaisses dans les maisons peuvent également avoir un impact sur l'autonomie de vos batteries.
- Activation des options nécessitant de l'énergie supplémentaire (c.-à-d. feux, vérins, etc.)

La puissance des batteries dont votre fauteuil Sunrise Medical est équipé devrait permettre de parcourir assez de distance pour satisfaire le style de vie de la majorité de la clientèle.

6.4 Garantie des batteries :

Les garanties couvrant les batteries sont soumises à des périodes définies par les fabricants. Cependant, la plupart des garanties sont sujettes à une disposition spécifique relative à l'usure. Par conséquent, si l'une de vos batteries venait à être complètement usée au bout de 6 mois, il vous sera impossible d'en obtenir une en faisant jouer la garantie.

6.5 Remplacement des batteries

Le fauteuil utilise deux batteries sèches inversables de type gel de 12 V en série. Ces batteries sont scellées et ne requièrent aucun entretien.

Le remplacement et la révision des batteries doivent être effectués par un spécialiste qualifié.

En cas de dysfonctionnement des batteries, contactez votre revendeur.

⚠ DANGER !

- Ne tentez pas de remplacer ou d'intervenir sur les batteries en l'absence de personnel formé et qualifié.

6.6 Déconnexion des batteries pour le transport aérien.

Les batteries se trouvent dans le bloc moteur situé en dessous du couvercle de batterie.

Pour débrancher les batteries :

- Dévissez les deux molettes filetées situées sous le châssis du siège qui relient le châssis du siège à l'interface du module du siège, (Fig. 6.2).
- Rabattez le châssis du siège vers l'arrière (Fig. 6.3).
- Vérifiez d'avoir bien placé la béquille du siège pour éviter qu'il ne se referme accidentellement (Fig. 6.4 - A).
- Soulevez le couvercle du compartiment à batteries (Fig. 6.4 - B).
- Débranchez les 2 connecteurs à broches Andersen de chaque batterie (Fig. 6.5).

Pour reconnecter les batteries, inversez la procédure décrite ci-dessus.

⚠ AVERTISSEMENT :

Le retrait des batteries peut entraîner un changement du centre de gravité. Le retrait des batteries peut entraîner le basculement du fauteuil vers l'arrière. Sunrise Medical préconise de :

- Placer un support à l'arrière du fauteuil pour le maintenir en place. Il peut s'agir d'une chaise, d'une malle, etc.
- Commencez par soulever légèrement la batterie pour voir l'effet sur la stabilité du fauteuil.

Fig. 6.2

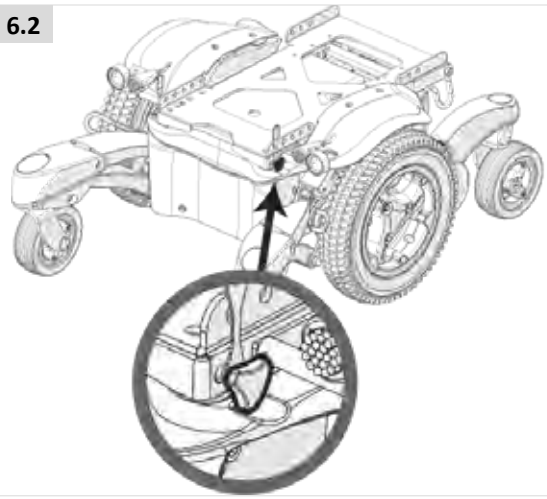


Fig. 6.3



Fig. 6.4

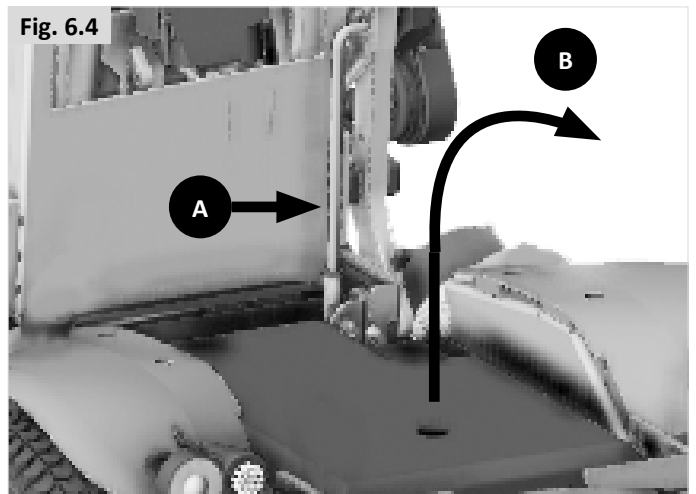
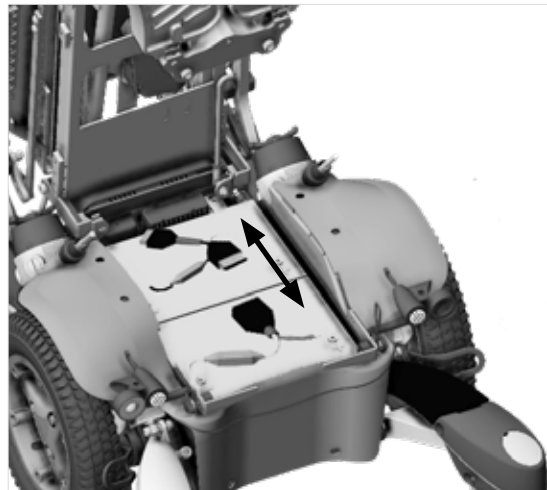


Fig. 6.5



Pour débrancher les batteries des modèles roue motrice traction/propulsion :

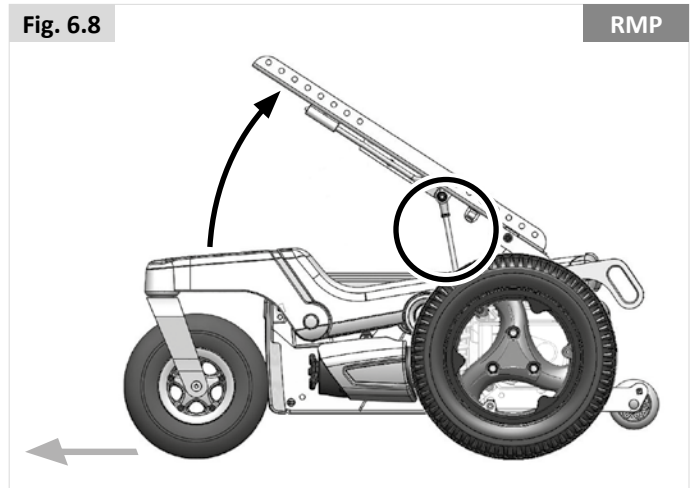
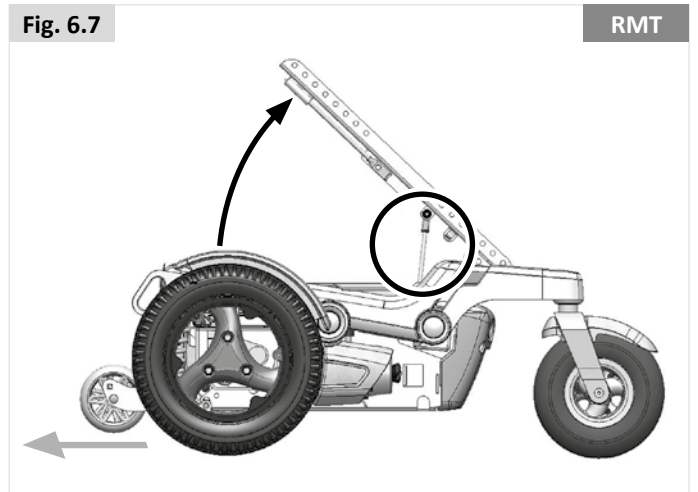
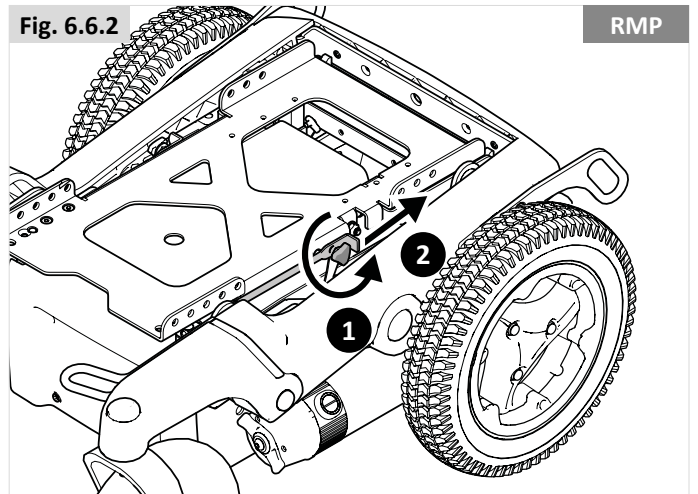
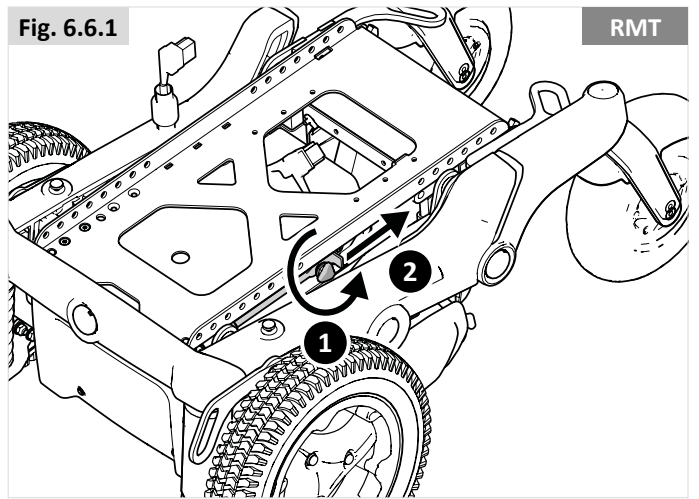
- Dévissez les deux molettes filetés situées sous le châssis du siège qui relient le châssis du siège à l'interface du module du siège (étape 1), et relâchez le levier (étape 2) (Fig. 6.6.1 - 6.6.2).
- Rabattez le châssis du siège vers l'arrière (Fig. 6.3).
- Vérifiez d'avoir bien placé la béquille du siège pour éviter qu'il ne se referme accidentellement (Fig. 6.7 avant - Fig. 6.8 arrière).
- Soulevez le couvercle du compartiment à batteries (Fig. 6.4 - B).
- Débranchez les 2 connecteurs à broches Andersen de chaque batterie (Fig. 6.5).

Pour reconnecter les batteries, inversez la procédure décrite ci-dessus.

⚠ AVERTISSEMENT :

Le retrait des batteries peut entraîner un changement du centre de gravité. Le retrait des batteries peut entraîner le basculement du fauteuil vers l'arrière. Sunrise Medical préconise de :

- Placer un support à l'arrière du fauteuil pour le maintenir en place. Il peut s'agir d'une chaise, d'une malle, etc.
- Commencez par soulever légèrement la batterie pour voir l'effet sur la stabilité du fauteuil.



7.0 Transport

7.1 Transport du fauteuil à bord d'un véhicule motorisé

Monter et descendre du véhicule

DANGER !

- Faites vous confirmer que le véhicule est correctement équipé pour transporter un passager dans un fauteuil roulant, et assurez-vous que la méthode d'accès/de sortie est convenable pour votre type de fauteuil roulant. Le sol du véhicule doit être suffisamment résistant pour supporter le poids combiné de l'utilisateur, du fauteuil roulant et des accessoires.
- Introduire le fauteuil dans le véhicule à l'aide d'une rampe (ou d'un appareil de levage) suffisamment solide pour supporter le poids combiné du fauteuil et de l'utilisateur.
- Le fauteuil doit être arrimé face à la route. Ce fauteuil a été approuvé pour une utilisation à bord des véhicules motorisés, et satisfait les exigences relatives au transport face à la route et aux collisions frontales. Le fauteuil n'a pas été testé pour d'autres positions à bord d'un véhicule (Fig. 7.1).

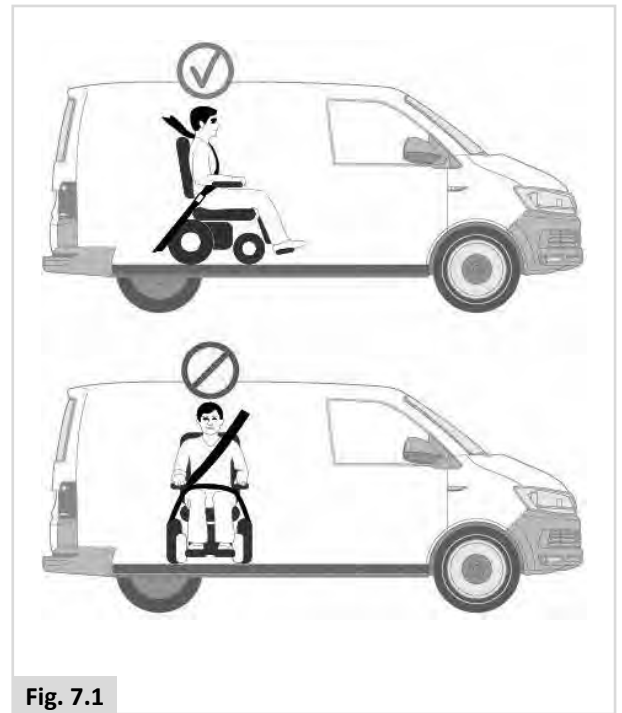


Fig. 7.1

ATTENTION !

- Suffisamment d'espace doit être disponible autour du fauteuil afin d'avoir un accès facile pour attacher, serrer et détacher le fauteuil roulant et le dispositif de retenue de l'occupant et les ceintures de sécurité.
- L'accès aux véhicules et la manœuvrabilité à bord d'un véhicule dépendent de la taille et du rayon de braquage du fauteuil ; les fauteuils de plus petites tailles et/ou les fauteuils ayant un rayon de braquage plus court se laissent généralement manœuvrer plus aisément et facilitent l'accès au véhicule et à une position orientée vers l'avant.

Arrimage du fauteuil à l'aide d'un système de retenue

Le fauteuil roulant a fait l'objet d'essais de collision conformément à la norme ISO 7176-19:2008 au moyen d'un système de retenue.

- Arrimé à l'aide d'un système de retenue à 6 points (2 à l'avant, 4 à l'arrière, Fig. 7.2) conforme à :
 - i. ISO 10542 (international) ou
 - ii. SAE J2249 (États-Unis).

REMARQUE : Fauteuil arrimé à l'aide d'un système de retenue à 6 points prévu pour le poids total du fauteuil (options comprises) conformément aux instructions WTORS1 fournies par le fabricant.

Explication :

1) WTORS : *Wheelchair Tie-down Occupant Restraint System* (Système de fixation et de retenue)

⚠ DANGER !

- Le fauteuil doit impérativement être arrimé à l'aide des points de retenue prévus sur le châssis du fauteuil (Fig. 7.3).
- Les points d'arrimage (2 à l'avant et 2 à l'arrière) sont indiqués par les symboles d'ancrage (Fig. 7.2). Commencez par attacher les sangles à l'avant du fauteuil, puis les sangles à l'arrière. Tendez les sangles pour immobiliser le fauteuil. Le fauteuil ne peut pas être arrimé à des accessoires (accoudoirs, support anti-bascule, etc.).
- Les points d'ancrage/de fixation du fauteuil, les éléments de construction et les composants du châssis ne doivent en aucun cas être modifiés ou remplacés sans avoir préalablement consulté le fabricant.
- Si le fauteuil est transporté sans son utilisateur à bord d'un véhicule non équipé d'un système de retenue, il convient de le placer dans le coffre.

Fig. 7.2

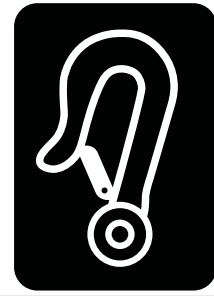
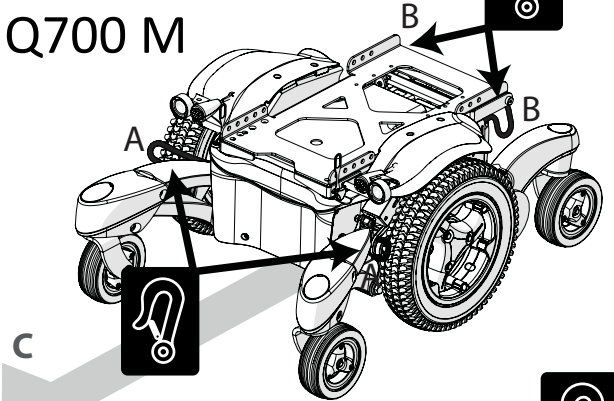
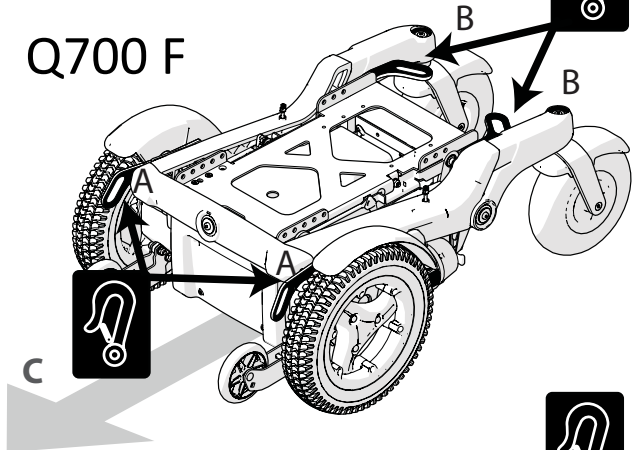


Fig. 7.3

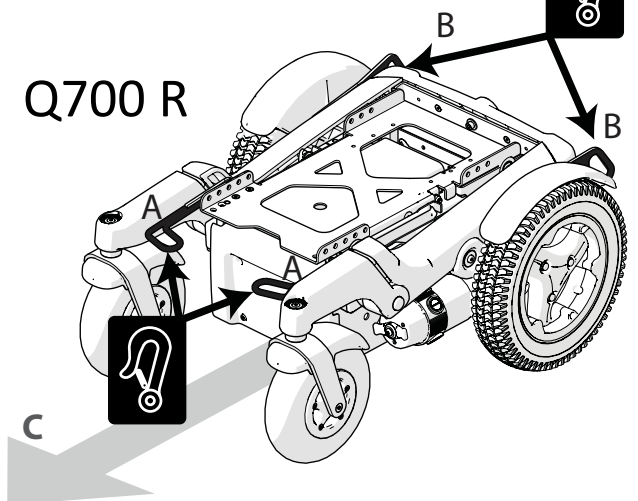
Q700 M



Q700 F



Q700 R



- A** Emplacement des points d'arrimage avant.
- B** Emplacement des points d'arrimage arrière.
- C** Sens du déplacement.

7.2 Utilisation du fauteuil comme siège passager

Un fauteuil roulant arrimé dans un véhicule n'assurera pas le même niveau de sécurité que les sièges du véhicule. Sunrise Medical recommande d'utiliser, dans la mesure du possible, les sièges du véhicule et leur système de retenue. Sunrise Medical reconnaît qu'il n'est pas toujours aisé de transférer une personne et si celle-ci doit rester à bord du fauteuil pendant le trajet, il convient de suivre les recommandations suivantes :

⚠ DANGER !

- La sécurité de l'utilisateur pendant son transport dépend de la vigilance de la personne sécurisant le système d'arrimage et cette personne devrait avoir reçu des instructions appropriées et/ou une formation sur leur utilisation.
- Dans la mesure du possible, retirez du fauteuil et rangez tous les accessoires et équipements auxiliaires, comme par exemple : les cannes, les coussins amovibles, les tablettes, etc.
- i. Retirez et rangez les séparément et en toute sécurité dans le véhicule, ou
- ii. Fixez les au fauteuil mais avec du rembourrage pour amortir placé entre la tablette et l'utilisateur.
- Les repose-jambe articulés/relevables ne doivent pas être en position élevée pendant le transport du fauteuil roulant et de son utilisateur.
- Le cas échéant : Les dossiers inclinables doivent être remis en position verticale.
- Le cas échéant : Le lift d'assise doit être en position abaissée.
- Le cas échéant : Les freins manuels du fauteuil doivent impérativement être enclenchés.

Instructions pour le système de retenue de l'occupant

⚠ DANGER !

- Utilisez un système de retenue de l'occupant à 3 points pour la sécurité de l'utilisateur.
- Les deux ceintures de retenue au niveau du bassin et du torse supérieur doivent être utilisées pour retenir le passager afin de réduire la possibilité de choc de la tête ou du torse avec les composants du véhicule.
- Le dispositif de retenue doit être fixé au pilier approprié du véhicule et les composants du fauteuil roulant (comme les accoudoirs ou les roues) ne doivent pas entraver le contact entre la sangle et le corps de l'utilisateur (Fig. 7.4).
- Utilisez un appui-tête correctement positionné pendant le transport de l'utilisateur à bord de son fauteuil roulant.
- Les systèmes de maintien posturaux (sangles sous-abdominales, ceintures sous-abdominales) ne doivent pas servir de système de retenue dans un véhicule en déplacement, à moins qu'ils ne soient conformes à la norme ISO 7176-19:2008 ou SAE J2249, ce qui doit être spécifiquement indiqué sur l'étiquette.

Positionnement du système de retenue de l'occupant

⚠ DANGER !

- La ceinture pelvienne doit être portée basse, sur l'avant du bassin de façon à ce que l'angle de la ceinture du bassin soit dans la zone de préférence entre 30 et 75 degrés par rapport à l'horizontal.
- Un plus grand angle au sein de la zone de préférence est recommandé c'est-à-dire plus proche de 75°, mais sans jamais cependant dépasser cette limite (Fig. 7.5).
 - i. La ceinture thoracique doit passer par-dessus l'épaule et en travers de la poitrine, comme illustré (Fig. 7.5). Les ceintures de retenue doivent être serrées le plus possible, tout en respectant le confort de l'utilisateur.
- La sangle de la ceinture de sécurité ne doit pas être entortillée pendant son utilisation.
- Positionnez soigneusement le système de retenue et la boucle de la ceinture de sorte que le bouton de libération n'entre pas en contact avec les composants du fauteuil en cas de collision.

Passager ayant un poids inférieur à 22 kg.

Si l'utilisateur devant être transporté est un enfant pesant moins de 22 kg et si le véhicule utilisé compte moins de huit (8) passagers assis, il est recommandé d'utiliser un dispositif de retenue pour enfants conforme au règlement 44 de la CEE-ONU. Ce type de dispositif de retenue est un moyen de retenue plus efficace que les dispositifs à trois points, et certains dispositifs de retenue pour enfants assurent également un support postural supplémentaire afin de maintenir la position de l'enfant lorsqu'il est assis.

Les parents ou toute autre personne s'occupant de l'enfant peut, selon le cas, décider de laisser l'enfant dans son fauteuil roulant pendant le transport en raison du niveau de contrôle de la posture ou du niveau de confort assuré par les réglages du fauteuil.

Dans ce cas, nous vous invitons à procéder à une évaluation des risques par le professionnel de santé qui vous suit ou par toute personne compétente dans ce domaine.

Fig. 7.4

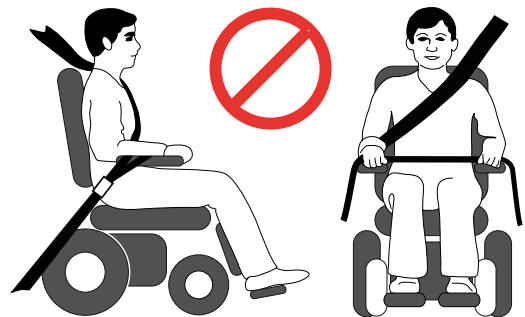
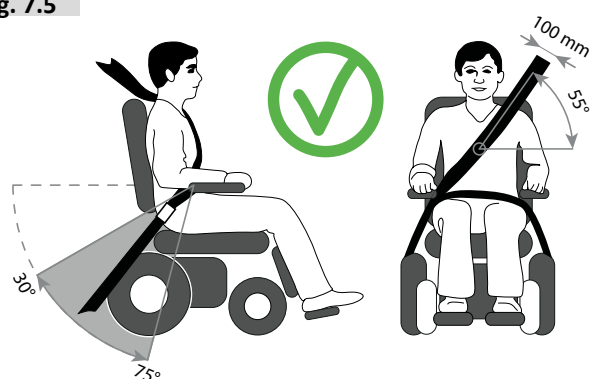


Fig. 7.5



7.3 Conditions spéciales de transport

Utilisation du fauteuil à bord d'un train.

Avant d'entreprendre votre voyage, contactez la compagnie de chemin de fer. pour obtenir toutes les informations relatives aux conditions/instructions particulières. Nous préconisons de vérifier les éléments suivants :

- Y a-t-il une zone 'Fauteuil roulant' dédiée et adéquate à bord du train et cette zone possède-t-elle un espace de braquage suffisant pour manœuvrer ?
- Y a-t-il une zone 'Fauteuil roulant' dédiée et adéquate sur le quai de la gare et cette zone possède-t-elle un espace de braquage suffisant pour manœuvrer ?
- La rampe d'accès permet-elle de monter à bord du wagon et d'accéder à la zone 'Fauteuil roulant' ?
- La rampe d'accès est-elle adaptée pour le poids combiné du fauteuil et de l'utilisateur ?
- Vérifiez que l'inclinaison de la rampe d'accès ne dépasse pas le degré d'inclinaison maximum. (Voir Section 10)
- Vérifiez que la hauteur des obstacles ou des seuils ne dépasse pas la capacité de franchissement d'obstacles de votre fauteuil. (Voir Section 10)





En général, les compagnies ferroviaires se feront un plaisir de vous prêter assistance dans la mesure où elles auront été informées de votre présence. Pensez à vous munir du manuel d'utilisation de votre fauteuil lorsque vous planifiez votre déplacement et contactez la compagnie ferroviaire.


AVERTISSEMENT !

- Pendant vos déplacements à bord d'un bateau ou d'un train, veillez à désactiver le module GYRO si cette option est installée sur le fauteuil roulant. Le mouvement continu du bateau ou du train perturbe le module GYRO et les caractéristiques de conduite de votre fauteuil.

Transport du fauteuil en tant que bagage.

Il convient de démonter les organes facilement amovibles lors du transport du fauteuil roulant. Rangez-les soigneusement. P.e. :

- Enlevez le siège ( Système d'assise).
- Enlevez les repose-jambes ( Système d'assise).
- Enlevez les accoudoirs ( Système d'assise).
- Rabattez le dossier ( Système d'assise).

- Vérifiez que les parties amovibles du fauteuil sont solidement fixées ou emballées séparément et étiquetées pour éviter qu'elles ne soient égarées pendant le chargement et le déchargement.
- Le fauteuil peut être transporté par route, chemin de fer, voie maritime ou voie aérienne et les batteries sont conformes à la réglementation IATA.
- Avant d'entreprendre votre voyage, contactez le transporteur. L'organisateur vous fournira les données relatives à toute condition/instruction particulière.
- Pour toute information sur les dimensions et le poids du fauteuil, reportez-vous à la section 10.
- Pour toute information sur les batteries de votre fauteuil, reportez-vous à la section 6.
- Vérifiez que les parties amovibles du fauteuil sont solidement fixées ou emballées séparément et étiquetées pour éviter qu'elles ne soient égarées pendant le chargement et le déchargement.
- Munissez-vous du présent manuel d'utilisation, du manuel d'utilisation du système d'assise (& Système d'assise) et du manuel d'utilisation du boîtier de commande (& Boîtier de commande). Le transporteur devra consulter les sections suivantes :
 - Pousser le fauteuil roulant (Section 5.8).
 - Verrouillage/déverrouillage du boîtier de commande :  Boîtier de commande.
 - Comment déconnecter les batteries (Section 6.7).
 - Comment débrancher l'entraînement, (Section 5.8)
 - Transport du fauteuil, (Section 7.0).
 - Entreposage à moyen et à long terme (Section 8.5).

7.4 Avertissements généraux relatifs au transport

AVERTISSEMENT !

- Les points d'ancrage/de fixation du fauteuil, les éléments de construction et les composants du châssis ne doivent en aucun cas être modifiés ou remplacés sans avoir préalablement consulté Sunrise Medical.
- En cas d'impact subi par le véhicule transportant à son bord un fauteuil roulant, ledit fauteuil devra faire l'objet d'une inspection par un technicien/revendeur agréé Sunrise Medical.

8.0 Entretien et nettoyage

La durée de vie du fauteuil dépend directement de la qualité de son entretien.

Pour toute information concernant les paramètres spécifiques, la maintenance ou les réparations, contactez votre revendeur agréé Sunrise Medical. Lorsque vous contactez votre revendeur, munissez-vous toujours des informations suivantes : modèle, année de fabrication et numéro d'identification. Ces informations sont indiquées sur la plaque signalétique du fauteuil.

ATTENTION !

Le fauteuil doit faire l'objet d'une révision annuelle (ou semestrielle en cas d'utilisation intensive) effectuée par un centre agréé Sunrise Medical. Pour obtenir la liste des revendeurs agréés près de chez vous, veuillez contacter le service clients de Sunrise Medical.

Les coordonnées de votre service après-vente Sunrise Medical le plus proche sont indiquées à l'intérieur de la page couverture avant du présent fascicule.

Les adresses de sites Web nationaux et internationaux sont fournies sur la couverture arrière.

8.1 Entretien

AVERTISSEMENT !

- Les fixations desserrées doivent être resserrées selon les consignes d'installation.
- Cf. tableau général ci-dessous (sauf indication contraire) sur les couples de serrage nécessaires.

| Guide de réglage du couple de serrage | |
|---------------------------------------|--------|
| M4 | 3,0 Nm |
| M5 | 5,9 Nm |
| M6 | 10 Nm |
| M8 | 25 Nm |
| M10 | 48 Nm |
| M12 | 84 Nm |

- **Remarque** : Une clé dynamométrique sera nécessaire.
- Les ceintures thoraciques doivent être remplacées dès les premiers signes de dommage et/ou d'usure excessive.
- En présence d'un élément cassé ou desserré, cesser immédiatement l'utilisation du fauteuil et contacter un revendeur Sunrise Medical agréé pour le faire remplacer.
- Vérifier toutes les sangles Velcro afin de garantir une bonne adhérence les unes aux autres.
- Éliminer tout corps étranger, tels des cheveux ou des peluches, éventuellement pris dans les bandes Velcro. La présence de tels corps étranger peut compromettre l'adhérence.

AVERTISSEMENT !

- En cas de doute sur les niveaux de performance de votre fauteuil, contactez votre revendeur agréé Sunrise Medical.
- Après avoir nettoyé ou réparé le fauteuil, vous devez toujours vérifier son bon fonctionnement avant de l'utiliser.
- Toutes les fixations doivent être remplacées par des pièces parfaitement identiques ayant les bonnes longueurs et résistance à la déchirure et composées du matériau adéquat.
- Lorsque vous remplacez des écrous autofreinés ou des écrous/goujons à frein-filet, veillez à ce qu'une solution frein-filet adéquate soit appliquée sur la pièce de fixation.

Contrôles quotidiens

Avant chaque utilisation, procédez aux contrôles de routine quotidiens énoncés au chapitre 5.1

Contrôles hebdomadaires

Une fois par semaine, procédez aux contrôles hebdomadaires énoncés ci-dessous.

Vérifiez le frein de stationnement :

Ce test doit être effectué sur un sol plat avec au moins 1 m de dégagement autour du fauteuil.

- Branchez le système de commande.
- Vérifiez que l'indicateur de la batterie reste allumé, ou qu'il flashe doucement, après une seconde.
- Poussez le joystick doucement vers l'avant jusqu'à ce que vous entendiez les freins de stationnement s'activer.
- Il est possible que le fauteuil se mette à avancer.
- Relâchez immédiatement le joystick. Vous devez pouvoir entendre chaque frein d'immobilisation s'enclencher (clic) au bout de quelques secondes.
- Répétez le test encore trois fois, en poussant le joystick doucement vers l'arrière, la gauche et la droite.

Inspection des connecteurs et des câbles :

- Assurez-vous que tous les connecteurs sont assemblés correctement.
- Vérifiez le bon état de tous les câbles et de tous les connecteurs.

Inspection du boîtier de commande :

- Vérifiez que la fine "robe" en caoutchouc autour de la base du joystick ne soit pas endommagée ou déchirée. Vérifiez uniquement visuellement, ne manipulez pas le soufflet.
- Assurez-vous que tous les composants du système de commande sont montés correctement. Ne serrez pas excessivement les vis de sécurité.

Vérification des commandes :

- Allumez le manipulateur de commande – Les voyants clignotent-ils ? Cela signifie qu'il y a une anomalie dans le système électronique. Reportez-vous au chapitre 10 pour obtenir des informations sur le dépannage.
- Activez toutes les options électriques, y compris les feux et les clignotants (le cas échéant) pour vérifier qu'ils fonctionnent bien.
- Après avoir élevé le siège, démarrez le fauteuil pour voir si le mode Réducteur s'active afin de ralentir le fauteuil.
- Utilisez le fauteuil dans tous les modes de conduite pour vérifier qu'il fonctionne comme avant.

 AVERTISSEMENT !

- En cas de doute sur les niveaux de performance de votre fauteuil, contactez votre revendeur agréé Sunrise Medical.
- Après avoir nettoyé ou réparé le fauteuil, vous devez toujours vérifier son bon fonctionnement avant de l'utiliser.
- Il est recommandé de faire procéder à une inspection complète, un contrôle de sécurité et une révision par un revendeur agréé Sunrise Medical au moins une fois par an.
- Toutes les fixations doivent être remplacées par des pièces parfaitement identiques ayant les bonnes longueurs et résistance à la déchirure et composées du matériau adéquat.
- Lorsque vous remplacez des écrous autofreinés ou des écrous/goujons à frein-filet, veillez à ce qu'une solution frein-filet adéquate soit appliquée sur la pièce de fixation.
- Vérifier toutes les sangles Velcro afin de garantir une bonne adhérence les unes aux autres.
- Éliminer tout corps étranger, tels des cheveux ou du peluchage, etc., éventuellement pris dans les bandes Velcro. La présence de tels corps étranger peut compromettre l'adhérence.

Contrôles mensuels

Une fois par mois, procédez aux contrôles mensuels énoncés ci-dessous.

- Vérifier tous les mois les fixations et attaches afin de déceler tout signe d'usure ou la présence de boulons desserrés ou des pièces cassées.
- Vérifier les sangles tous les mois afin de déceler d'éventuels effilochements, coutures déchirées ou tout autre signe d'usure excessive ou d'endommagement. Ne plus utiliser si des dommages sont trouvés.

8.2 Entretien et pression des pneus

8.2.1 Pression des pneus

ATTENTION !

Si votre fauteuil est doté de pneus, il est important de contrôler la pression et de vérifier régulièrement leur état afin de déceler tout éventuel signe d'usure.

Les pressions maximales de pneus figurent en Section 8.3. En cas de doute, vérifiez les indications du côté du pneu du fauteuil.

REMARQUE : Il est important que les deux roues motrices soient gonflées à la même pression, tout comme les deux pneus arrière. La pompe est le moyen le plus sûr de gonfler les pneus de votre fauteuil roulant et vous pouvez contrôler la pression avec un manomètre standard pour voitures.

DANGER !

- Ne gonflez pas vos pneus au-delà des valeurs maximales autorisées.
- Utilisez toujours la pompe fournie avec le fauteuil.

8.2.2 Usure des pneus

Lorsque vous inspectez les pneus afin d'y déceler tout éventuel signe d'usure, regardez s'il y a des éraflures importantes, des entailles ou si la semelle du pneu est lisse. Les pneus doivent être changés dès que leur semelle est lisse sur toute sa surface, (Fig. 8.1).



8.2.3 Réparation du pneu de la roue motrice

Pour déposer la roue/le pneu :

Veillez vous référer aux photos ci-dessous et de la page suivante.

- Retirez l'anneau coloré.
- À l'aide d'un écrou de roue AF de 16 mm, dévissez les 3 boulons (Fig. 8.2).
- Surélevez le compartiment à batteries / la base à l'aide d'un cric et faites-le reposer sur une cale, (Fig. 8.3).
- Retirez les 3 boulons et tirez la roue pour la sortir du moyeu.
- Enlevez le capuchon de la valve et faites sortir l'air du pneu en appuyant délicatement sur la tubulure de la valve à l'aide d'un tournevis de petite taille (Fig. 8.4).
- Il y a 6 goujons de jante à desserrer/resserrer dans l'ordre indiqué (Fig. 8.5).
- Utilisez une clé hexagonale de 5 mm pour desserrer/resserrer les goujons. (Fig. 8.5) .
- Enlevez la jante interne de la paroi du pneu (Fig. 8.6).
- Enlevez le pneu et la chambre à air de la jante externe, (Fig. 8.7).
- Attrapez délicatement la chambre à air interne, juste derrière la valve.
- Sortez délicatement la chambre à air du pneu, (Fig. 8.8).
- Vérifiez que tous les composants sont propres avant de les remonter (Fig. 8.9).

Pour réinstaller

- Placez la chambre à air à l'intérieur du pneu et posez le pneu sur la jante externe.
- Alignez la tubulure de la valve avec la découpe dans la jante.
- Orientez l'embout de la chambre à air vers l'extérieur.
- Placez la jante interne par-dessus le pneu, la chambre à air et la jante externe.
- Alignez l'orifice avec l'embout de la chambre à air et avec l'orifice de la jante externe, (Fig. 8.10).
- Vérifiez que les goujons sont alignés avec les deux jantes.
- Resserrez les goujons dans l'ordre indiqué à la Fig. 8.5, en veillant à ne pas pincer la chambre à air.
- Gonflez le pneu lentement à la pression indiquée à la section 8.1.1.
- Remontez la roue sur le moyeu et revissez les 3 boulons à un couple de serrage de 34 Nm.

Pour les pneus à bandage, suivez la même procédure en éliminant les étapes relatives à la chambre à air et à la valve.

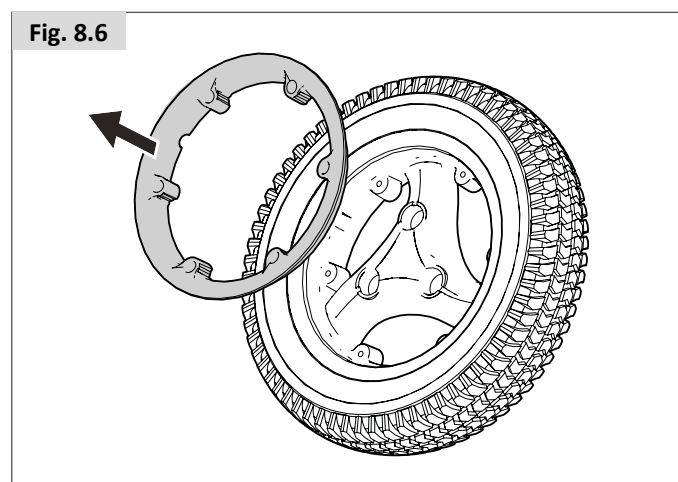
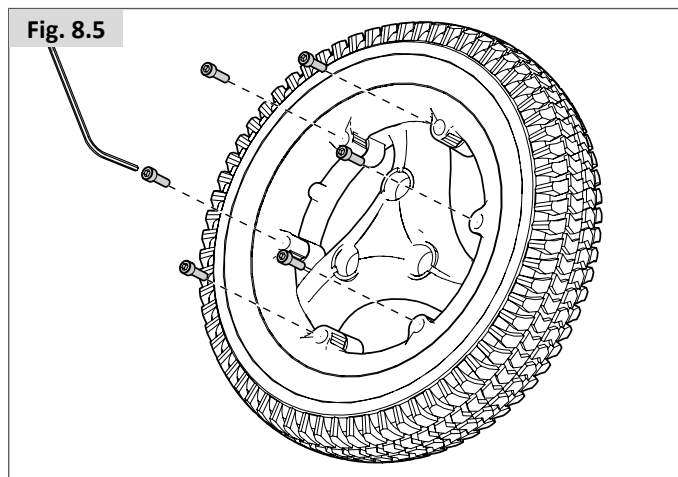
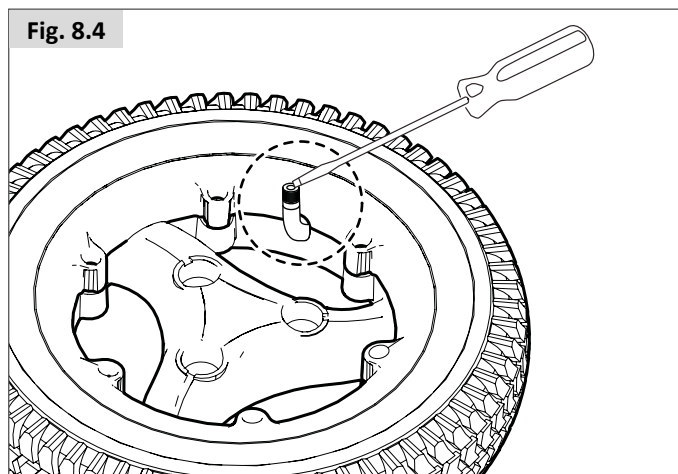
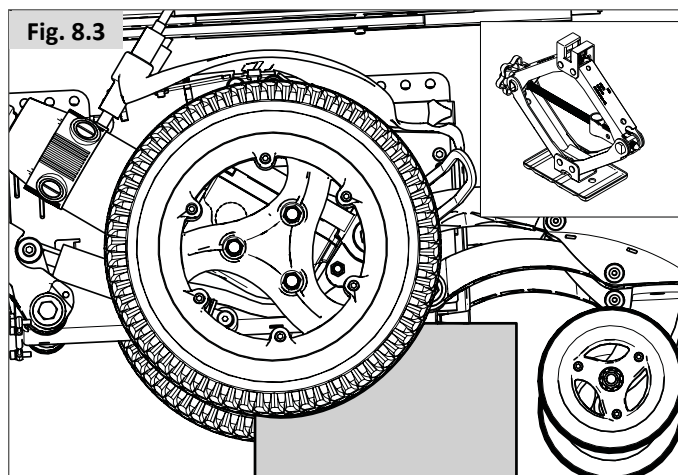
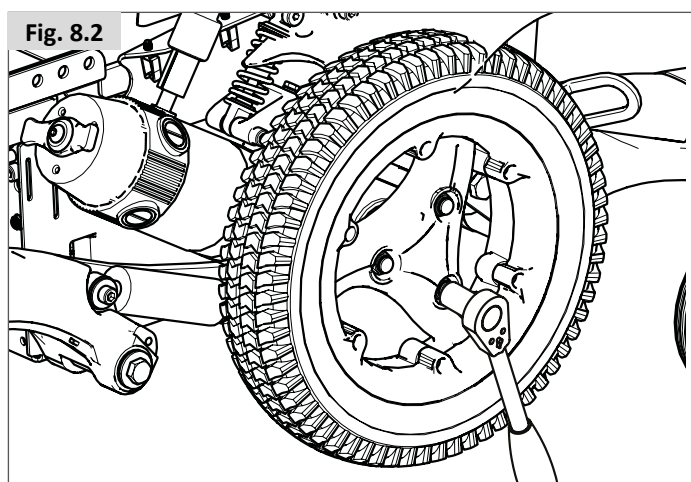


Fig. 8.7

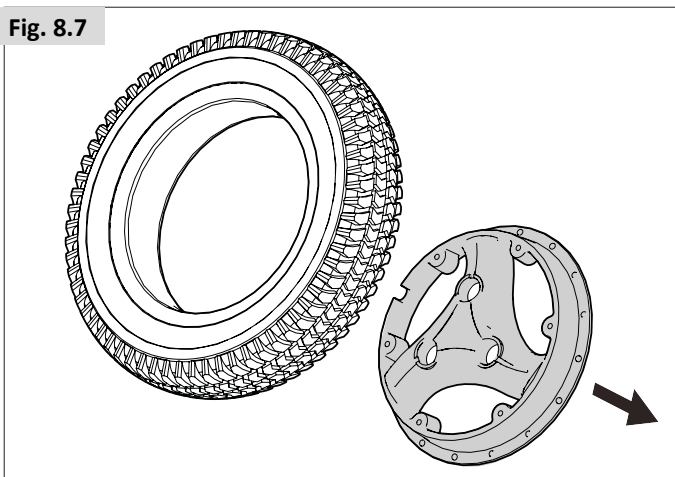


Fig. 8.8

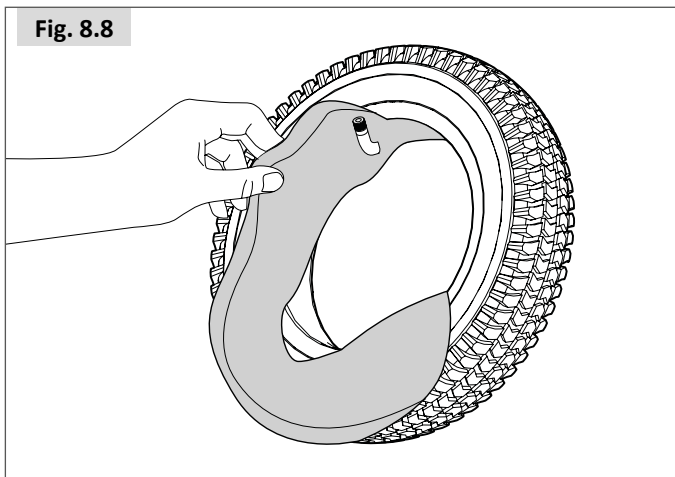


Fig. 8.9

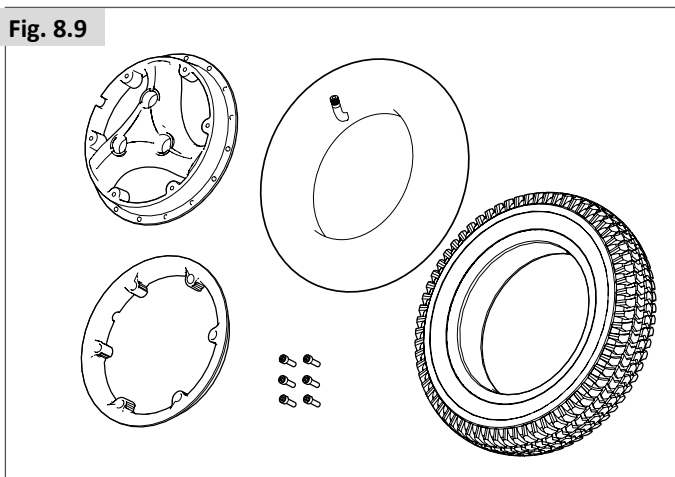
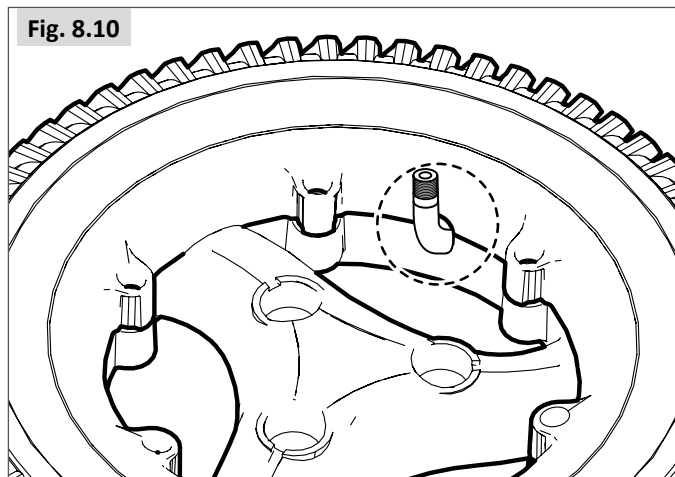


Fig. 8.10



8.2.4 Retrait des roues directrices (base M) (Fig. 8.11).

- À l'aide d'une clé/douille de 17 mm, dévissez le boulon d'essieu.
- Retirez l'écrou Nyloc.

Retrait des roues directrices (base F/R) (Fig. 8.12)

- Utilisez une clé de 13,0 mm et une clé hexagonale de 5 mm pour desserrer les vis.
- Retirer les deux vis.

Remontage :

Lorsque vous remontez la roue, ne forcez pas pour faire passer le boulon. Faites rouler lentement la roue vers l'avant et l'arrière jusqu'à ce que le boulon se glisse à travers, puis serrez à un couple de 14 Nm.

⚠ AVERTISSEMENT !

Lorsque vous remontez la roue, utilisez toujours un nouvel écrou Nyloc.

Fig. 8.11

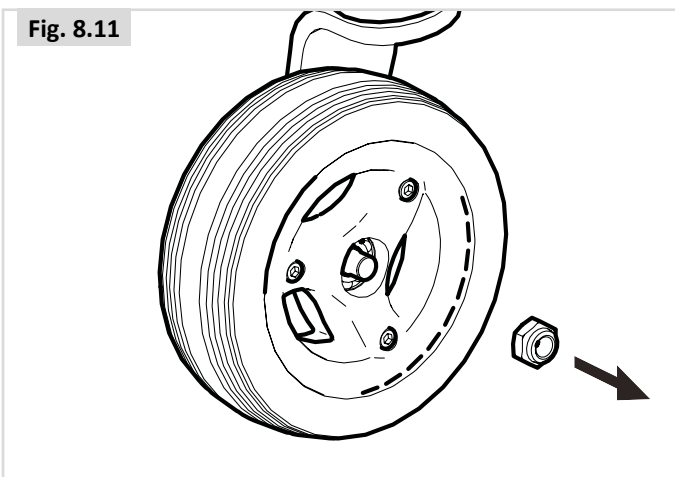
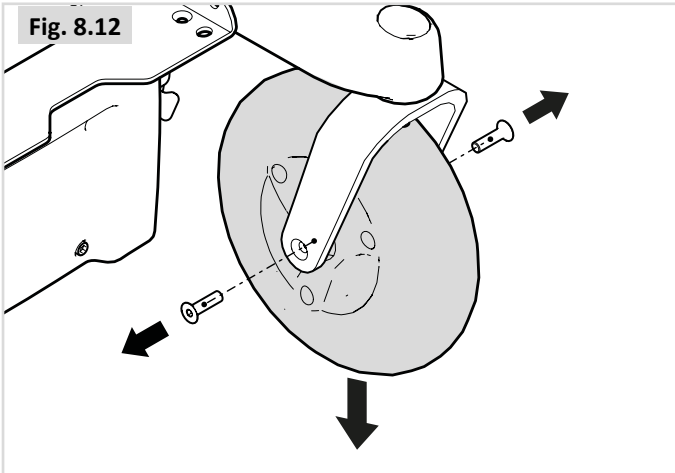



Fig. 8.12



| Programme d'entretien et d'inspection | Quotidien* | Hebdomadaire | Mensuel | Annuel |
|--|------------|--------------|---------|--------|
| Contrôles de routine quotidiens énoncés au chapitre 5.1 | * | | | |
| Contrôles de routine hebdomadaires énoncés au chapitre 8.1 | | * | | |
| Nettoyage de la toile du fauteuil  Système d'assise | | * | | |
| Inspection complète, contrôle de sécurité et révision effectués par un revendeur agréé Sunrise Medical. | | | | * |

8.3 Maintenance des roues et des pneus

Pour garantir un fonctionnement optimal de votre fauteuil, il convient de maintenir une pression correcte des pneus. La pression recommandée est indiquée sur la paroi latérale des pneus.

Des pneus sous-gonflés freinent le déplacement du fauteuil. Le déplacement du fauteuil consomme plus d'énergie et sollicite d'autant plus les batteries. Par ailleurs, les pneus sous gonflés s'usent plus rapidement.

Lorsque vous inspectez les pneus afin d'y déceler tout éventuel signe d'usure, regardez s'il y a des éraflures importantes, des entailles ou si la semelle du pneu est lisse. Les pneus doivent être changés dès que leur semelle est lisse sur toute sa surface.

| Roue avant | | Pression max. des pneus | |
|------------------|----------------------------|-------------------------|-------------|
| 6" | Q700 M | Roue bandage | |
| 9" (2.80/2.50-4) | Q700 F Q700 R | 2,4 bars max. | 35 PSI |
| 10" (3.00-4) | Q700 F Q700 R | 2,4 bars max. | 35 PSI |
| Roue motrice | | Pression max. des pneus | |
| 14" (3.00-8) | Q700 M Q700 F Q700 R | 3,5 bars max. | 50 PSI max. |



DANGER !

- Ne gonflez pas vos pneus au-delà des valeurs maximales autorisées.
- N'utilisez jamais de dispositif de gonflage des garages.
- Avant de réparer un pneu, il convient de le dégonfler complètement.

8.4 Entretien des feux :

DANGER !

L'entretien des feux et des clignotants est une opération cruciale pour la sécurité. Si vous remarquez une anomalie avec les feux ou les clignotants, contactez votre revendeur agréé Sunrise Medical.

Les feux et les clignotants sont des unités à LED dernier cri sans maintenance et à faible consommation. Ils n'intègrent aucune ampoule. De par leur haute fiabilité intrinsèque, le risque de voir ces unités tomber en panne est extrêmement faible en condition d'utilisation normale. En cas de panne (suite à un impact, par exemple), l'unité endommagée doit être remplacée intégralement. Les LED ne peuvent pas être remplacées individuellement.

ATTENTION !

- Nous vous recommandons l'utilisation des pièces détachées autorisées par Sunrise Medical uniquement.
- Veuillez noter que tous les circuits d'éclairage sont protégés électroniquement. En cas de court-circuit, le courant ne pourra dépasser un niveau sécurisé. Une fois que la faute a été rectifiée, le système se réinitialise.

8.5 Nettoyage et désinfection

Il est recommandé de passer un chiffon légèrement humide et non mouillé, sur le siège de votre fauteuil une fois par semaine et de passer l'aspirateur autour du moteur, afin de retirer toutes les poussières accumulées.

ATTENTION !

Pensez à essuyer toutes les parties du fauteuil s'il est mouillé ou humide après l'avoir nettoyé ou s'il a pris l'eau ou l'humidité pendant que vous l'utilisiez.

DANGER !

Ceci est particulièrement important pour éviter tout risque de contamination si plusieurs personnes utilisent le même fauteuil.

Mesure d'hygiène en cas de cession du fauteuil :

Avant de laisser une autre personne utiliser le fauteuil, il convient de l'apprêter soigneusement. Toutes les surfaces entrant en contact avec le nouvel utilisateur doivent être désinfectées.

Pour cela, vous devez utiliser un désinfectant à base d'alcool à séchage rapide utilisé pour les produits et instruments médicaux.

Suivez toujours les instructions du fabricant du produit désinfectant utilisé.

ATTENTION !

- Ne pas utiliser de dissolvant, d'eau de Javel, d'abrasifs, de détergents synthétiques, de cirage ou d'aérosols.
- Il est possible d'utiliser des désinfectants en les diluant de la façon indiquée par le fabricant.
- Assurez-vous que les surfaces sont rincées avec de l'eau propre et entièrement séchées.

AVERTISSEMENT !

- Lisez toujours les étiquettes des détachants à usage professionnel ou privé.
- Suivez toujours scrupuleusement les instructions.

Nettoyage des commandes : Boîtier de commande

Si les commandes de votre fauteuil roulant sont sales, vous pouvez les nettoyer avec un chiffon humide et un désinfectant dilué.

DANGER !

Important : Si le fauteuil est destiné à être utilisé par plusieurs personnes, respectez scrupuleusement les consignes de nettoyage et de désinfection pour éviter tout risque de contamination croisée.

8.6 Entreposage à moyen et long terme :

Lorsque vous entreposez votre fauteuil roulant pendant des périodes prolongées (plus d'une semaine), suivez les instructions suivantes :

- Rechargez complètement les batteries du fauteuil pendant au moins 24 heures.
- Débranchez le chargeur.
- Débranchez les batteries.

AVERTISSEMENT !

N'entreposez jamais votre fauteuil :

- À l'extérieur.
- À la lumière directe, (les composants en plastique peuvent se décolorer).
- À proximité d'une source de chaleur directe.
- Dans un environnement humide.
- Dans un environnement froid.
- Avec les batteries/blocs batteries branchés (même si le boîtier de commande est éteint).

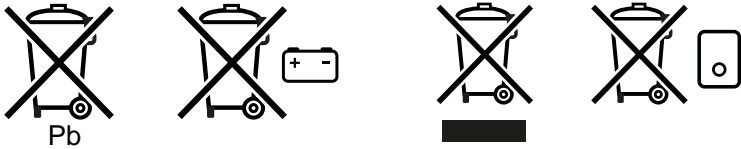
En respectant les consignes ci-dessus, vous éviterez les cycles de décharge complets des batteries et prolongerez la durée de vie des batteries.

Lors de la première remise en service du fauteuil; rebranchez les batteries/blocs batteries et rechargez le fauteuil pendant au moins 24 heures avant de le réutiliser.

9.0 Enlèvement

Le symbole ci-dessous signifie que votre produit doit être mis au rebut séparément de vos autres déchets ménagers, conformément aux réglementations et lois locales. Lorsque le produit atteint la fin de son cycle de vie, veuillez l'emmener aux points de ramassage conçus à cet effet par les autorités locales. Le ramassage séparé et le recyclage de votre produit au moment de l'enlèvement aideront à préserver les ressources naturelles et à s'assurer qu'il est recyclé d'une manière respectueuse de l'environnement.

Assurez-vous d'être le propriétaire légal du produit avant d'organiser sa mise au rebut conformément aux recommandations et aux réglementations nationales.



La section suivante décrit les différents matériaux composant le fauteuil en vue de la mise au rebut ou du recyclage du fauteuil et de ses matériaux d'emballage.

Renseignez-vous sur la réglementation en vigueur relative à l'élimination ou au recyclage de votre fauteuil. Vous serez tenu de la respecter le jour de la mise au rebut de votre fauteuil. (notamment le nettoyage ou la décontamination du fauteuil roulant avant sa mise au rebut).

Aluminium : Fourches, roues, protections latérales du châssis.

Acier : Points d'arrimage, axe à déverrouillage rapide

Plastique : Revêtement des poignées, butées des montants, roues avant, et roue/pneu


Emballage : Sacs en plastique composés de polyéthylène, cartons

La mise au rebut ou le recyclage doit être assuré par un agent spécialisé ou une décharge agréée. Vous pouvez également renvoyer votre fauteuil roulant à votre revendeur qui se chargera de sa mise au rebut.




10.0 Dépannage


Si le fauteuil ne fonctionne pas normalement, vérifiez ce qui suit.

- Vérifiez que les batteries sont chargées.
- Éteignez, puis rallumez le fauteuil.
- Vérifiez que les fiches des batteries sont bien connectées.
- Vérifiez que le levier de débrayage est en position CONDUITE
- Vérifier la position du régulateur de vitesse.
- Vérifiez que le boîtier de commande n'est pas verrouillé  Boîtier de commande

Si le problème persiste :

-  Boîtier de commande

11.0 Caractéristiques techniques : Normes en vigueur

 Ce produit porte le symbole CE et est conforme aux réglementations et directives relatives aux dispositifs médicaux. Le produit satisfait les exigences et les normes suivantes. La conformité est vérifiée par des organismes indépendants.

| Standard | Définition / description | Poids du mannequin anthropomorphe | |
|--------------------------------|---|-----------------------------------|------------|
| | | SEDEO Pro | SEDEO Ergo |
| Directive européenne 93/42 EEC | Applicable tel que mentionné à l'Annexe 1 | | |
| EN 12182 : 2012 Classe B | Produits d'assistance pour personnes en situation de handicap - Exigences générales et les méthodes d'essai | | |
| | Q700 M Q700 F Q700 R | 160 kg | 160 kg |
| EN 12184 : 2014 Classe B | Fauteuils roulants électriques, scooters et leurs chargeurs - Exigences et méthodes d'essai | SEDEO Pro | SEDEO Ergo |
| | Q700 M Q700 F Q700 R | 160 kg | 160 kg |
| ISO 7176-8 : 2014 | Exigences de résistance statique, de résistance au choc et de résistance à la fatigue. | N/D | N/D |
| ISO 7176-9 : 2009 | Essais climatiques pour fauteuils roulants électriques | N/D | N/D |
| ISO 7176-14 : 2008 | Exigences et méthodes d'essai relatives aux systèmes de commande des fauteuils roulants électriques | N/D | N/D |
| ISO 7176-16 : 2012 | Exigences de résistance à l'inflammation des parties rembourrées. | N/D | N/D |
| ISO 7176-19 : 2008 | Fauteuils roulants - Partie 19 : Dispositifs de mobilité montés sur roues et destinés à être utilisés comme sièges dans des véhicules à moteur : La série Q répond aux exigences d'essai de collision, tel que décrit dans ISO 7176-19 | SEDEO Pro | SEDEO Ergo |
| | Q700 M Q700 F Q700 R | 104 kg | 104 kg |

| | | | |
|--|---------------|----------|--|
| Modèle | Série Q700 | | |
| Type / configuration Roue motrice centrale | Q700 M | | |
| Charge maximale | 160 kg | 300 lbs. | |
| EN12184 classe : | B | | |

| Description | Valeurs du système métrique | | Valeurs du système impérial et valeurs alternatives | |
|---|-----------------------------|-------------|---|-------------|
| | Minimum | Maximum | Minimum | Maximum |
| Longueur totale (avec repose-jambes) | | | | |
| Roue motrice centrale | | | | |
| Q700 M Sedeo Ergo | 1070 mm | 1100 mm | 41,1" | 43,3" |
| Q700 M Sedeo Pro | 1190 mm | 1190 mm | 46,8" | 46,8" |
| Largeur totale | | | | |
| Q700 M Roues motrices 14" | 622 mm | 660 mm | 24,5" | 26,0" |
| Poids total | | | | |
| Configuration basique, sans batteries | | | | |
| Q700 M Sedeo Ergo | 160 kg | 180 kg | 353 lbs. | 397 lbs. |
| Q700 M Sedeo Pro | 145 kg | 175 kg | 320 lbs. | 386 lbs. |
| Éléments impactant le poids total | | | | |
| Batteries | | | | |
| 50 Ah AGM (C20) (2 unités) | 27 kg | | + 59,5 lbs. | |
| 60 Ah GEL (C20) (2 unités) | 43 kg | | + 94,8 lbs. | |
| 80 Ah GEL (C20) (2 unités) | 50,2 kg | | + 110,7 lbs. | |
| Poids du composant le plus lourd | 23,5 kg | | 51,8 lbs. | |
| Stabilité dynamique : Pente maximum de sécurité | | | | |
| Q700 M Roue motrice centrale | 10° | | 17,6 % | |
| Distance de freinage minimale à vitesse max. Q700 M | 3100 mm | | 122,0" | |
| Stabilité statique | | | | |
| Q700 M Sedeo Ergo Vers le bas / Vers le haut / Latéralement | 8°/19°/14° | 25°/25°/21° | 14%/34%/25% | 47%/47%/38% |
| Q700 M Sedeo Pro Vers le bas / Vers le haut / Latéralement | 8°/19°/14° | 25°/25°/21° | 14%/34%/25% | 47%/47%/38% |
| Distances parcourues | | | | |
| <i>NB : Les éléments suivants impactent négativement les distances pouvant être parcourues : Obstacles, terrains accidentés, conduite en pente, exposition à des températures inférieures à 0 °C et utilisation répétée des options d'assise électriques.</i> | | | | |
| 6 km/h Batteries 80 Ah Q700 M | 32,5 km | 40,0 km | 20,2 miles | 24,9 miles |
| 8 km/h Batteries 80 Ah Q700 M | 30,0 km | 37,5 km | 18,6 miles | 23,3 miles |
| 10 km/h Batteries 80 Ah Q700 M | 27,5 km | 35,0 km | 17,1 miles | 21,7 miles |
| 12,5 km/h Batteries 80 Ah Q700 M | 25,0 km | 32,5 km | 15,5 miles | 20,2 miles |
| Capacité de franchissement d'obstacles | | | | |
| Q700 M Roue motrice centrale | 75 mm | 100 mm | 2,95" | 3,94" |
| Vitesse max. marche avant | | | | |
| Q700 M Roue motrice centrale | 6 km/h | 12,5 km/h | 6 km/h | 12,4 km/h |
| Rayon de braquage | | | | |
| Q700 M Roue motrice centrale | 560 mm | 630 mm | 22,0" | 24,8" |
| Espace de braquage / Largeur requise pour faire marche arrière | | | | |
| Q700 M Roue motrice centrale | 1100 mm | | 43,0" | |
| Garde au sol | | | | |
| Q700 M Roue motrice centrale | | 90 mm | | 3,5" |

| Description | Valeurs du système métrique | | Valeurs du système impérial et valeurs alternatives | |
|---|------------------------------|-------------------|---|-------------------|
| | Minimum | Maximum | Minimum | Maximum |
| Dimensions max. des batteries (l X L X H) | | 260 x 172 x 210mm | | 10,2 x 6,8 x 8,3" |
| Capacité de la batterie | 50 Ah / 60 Ah / 80 Ah | | 50 Ah / 60 Ah / 80 Ah | |
| Tension de charge maximale | | 24 V | | 24 V |
| Courant de charge maximum | | 12 A (rms) | | 12 A (rms) |
| Type de connecteur | 📖 Manuel boîtier de commande | | 📖 Manuel boîtier de commande | |
| Isolation | Double isolation Classe 2 | | Double isolation Classe 2 | |

| | | | |
|--|---------------|----------|--|
| Modèle | Série Q700 | | |
| Type / configuration Roue motrice traction | Q700 F | | |
| Charge maximale | 160 kg | 353 lbs. | |
| EN12184 classe : | B | | |

| Description | Valeurs du système métrique | | Valeurs du système impérial et valeurs alternatives | |
|---|-----------------------------|-------------|---|-------------------|
| | Minimum | Maximum | Minimum | Maximum |
| Longueur totale (avec repose-jambes) Roue motrice traction | | | | |
| Q700 F Sedeo Ergo Palette centrale | 1280 mm | 1340 mm | 50,39" | 52,8" |
| Q700 F Sedeo Pro Palette centrale | 1280 mm | 1340 mm | 50,39" | 52,8" |
| Largeur totale | | | | |
| Q700 F Roues motrices 14" | 640 mm | 640 mm | 25,2" | 25,2" |
| Poids total | | | | |
| Configuration basique, sans batteries | | | | |
| Q700 F Sedeo Ergo | 133 kg | 154 kg | 293 lbs. | 339 lbs. |
| Q700 F Sedeo Pro | 134 kg | 155 kg | 295 lbs. | 342 lbs. |
| Éléments impactant le poids total | | | | |
| Batteries | | | | |
| 50 Ah AGM (C20) (2 unités) | 27 kg | | + 59,5 lbs. | |
| 60 Ah GEL (C20) (2 unités) | 43 kg | | + 94,8 lbs. | |
| 80 Ah GEL (C20) (2 unités) | 48,4 kg | | + 106,7 lbs. | |
| Poids du composant le plus lourd | 23,5 kg | | 51,8 lbs. | |
| Stabilité dynamique : Pente maximum de sécurité | | | | |
| Q700 F Roue motrice centrale | 8° | | 14,05 % | |
| Distance de freinage minimale à vitesse max. Q700 F | 2900 mm | | 114,2" | |
| Stabilité statique | | | | |
| Q700 F Sedeo Ergo Vers le bas / Vers le haut / Latéralement | 9°/9°/9° | 15°/15°/12° | 15,8% / 15,8% / 15,8% | 26% / 26% / 21,2% |
| Q700 F Sedeo Pro Vers le bas / Vers le haut / Latéralement | 9°/9°/9° | 15°/15°/12° | 15,8% / 15,8% / 15,8% | 26% / 26% / 21,2% |
| Distances parcourues | | | | |
| <i>NB : Les éléments suivants impactent négativement les distances pouvant être parcourues : Obstacles, terrains accidentés, conduite en pente, exposition à des températures inférieures à 0 °C et utilisation répétée des options d'assise électriques.</i> | | | | |
| 6 km/h Batteries 80 Ah Q700 F | 32,5 km | 40,0 km | 20,2 miles | 24,9 miles |
| 8 km/h Batteries 80 Ah Q700 F | 30,0 km | 37,5 km | 18,6 miles | 23,3 miles |
| 10 km/h Batteries 80 Ah Q700 F | 27,5 km | 35,0 km | 17,1 miles | 21,7 miles |
| 12,5 km/h Batteries 80 Ah Q700 F | 25,0 km | 32,5 km | 15,5 miles | 20,2 miles |
| Capacité de franchissement d'obstacles | | | | |
| Q700 F Roue motrice traction | 70 mm | | 2,75" | |
| Vitesse max. marche avant | | | | |
| Q700 F Roue motrice traction | 6 km/h | 12,5 km/h | 6 km/h | 12,4 km/h |
| Rayon de braquage | | | | |
| Q700 F Roue motrice traction | 735 mm | 735 mm | 28,9" | 28,9" |
| Espace de braquage / Largeur requise pour faire marche arrière | | | | |
| Q700 F Roue motrice traction | 1240 mm | | 48,8" | |
| Garde au sol | | | | |
| Q700 F Roue motrice traction | | 60 mm | | 2,36" |

| Description | Valeurs du système métrique | | Valeurs du système impérial et valeurs alternatives | |
|---|------------------------------|-------------------|---|-------------------|
| | Minimum | Maximum | Minimum | Maximum |
| Dimensions max. des batteries (l X L X H) | | 260 x 172 x 210mm | | 10,2 x 6,8 x 8,3" |
| Capacité de la batterie | 50 Ah / 60 Ah / 80 Ah | | 50 Ah / 60 Ah / 80 Ah | |
| Tension de charge maximale | | 24 V | | 24 V |
| Courant de charge maximum | | 12 A (rms) | | 12 A (rms) |
| Type de connecteur | 📖 Manuel boîtier de commande | | 📖 Manuel boîtier de commande | |
| Isolation | Double isolation Classe 2 | | Double isolation Classe 2 | |

| | | | |
|--|---------------|----------|--|
| Modèle | Série Q700 | | |
| Type / configuration Roue motrice propulsion | Q700 R | | |
| Charge maximale | 160 kg | 353 lbs. | |
| EN12184 classe : | B | | |

| Description | Valeurs du système métrique | | Valeurs du système impérial et valeurs alternatives | |
|---|-----------------------------|--------------|---|---------------|
| | Minimum | Maximum | Minimum | Maximum |
| Longueur totale (avec repose-jambes) | | | | |
| Roue motrice propulsion | | | | |
| Q700 R Sedeo Ergo | 1290 mm | 1370 mm | 50,8" | 53,9" |
| Q700 R Sedeo Pro | 1100 mm | 1180 mm | 43,7" | 46,4" |
| Largeur totale | | | | |
| Q700 R Roues motrices 14" | 640 mm | 640 mm | 25,2" | 25,2" |
| Poids total | | | | |
| Configuration basique, sans batteries | | | | |
| Q700 R Sedeo Ergo | 133 kg | 154 kg | 293 lbs. | 339 lbs. |
| Q700 R Sedeo Pro | 134 kg | 155 kg | 295 lbs. | 342 lbs. |
| Éléments impactant le poids total | | | | |
| Batteries | | | | |
| 50 Ah AGM (C20) (2 unités) | 27 kg | | + 59,5 lbs. | |
| 60 Ah GEL (C20) (2 unités) | 43 kg | | + 94,8 lbs. | |
| 80 Ah GEL (C20) (2 unités) | 48,4 kg | | + 106,7 lbs. | |
| Poids du composant le plus lourd | 24,2 kg | | 53,4 lbs. | |
| Stabilité dynamique : Pente maximum de sécurité | | | | |
| Q700 R Roue motrice propulsion | 10° | | 17,6 % | |
| Distance de freinage minimale à vitesse max. Q700 R | 2100 mm | | 82,7" | |
| Stabilité statique | | | | |
| Q700 R Sedeo Ergo Vers le bas / Vers le haut / Latéralement | 9°/9°/9° | 13°/15°/ 13° | 15,8%/15,8%/ 15,8% | 23%/ 26%/ 23% |
| Q700 R Sedeo Pro Vers le bas / Vers le haut / Latéralement | 9°/9°/9° | 13°/15°/ 13° | 15,8%/15,8%/ 15,8% | 23%/ 26%/ 23% |
| Distances parcourues | | | | |
| <i>NB : Les éléments suivants impactent négativement les distances pouvant être parcourues : Obstacles, terrains accidentés, conduite en pente, exposition à des températures inférieures à 0 °C et utilisation répétée des options d'assise électriques.</i> | | | | |
| 6 km/h Batteries 80 Ah Q700 R | 32,5 km | 40,0 km | 20,2 miles | 24,9 miles |
| 8 km/h Batteries 80 Ah Q700 R | 30,0 km | 37,5 km | 18,6 miles | 23,3 miles |
| 10 km/h Batteries 80 Ah Q700 R | 27,5 km | 35,0 km | 17,1 miles | 21,7 miles |
| 12,5 km/h Batteries 80 Ah Q700 R | 25,0 km | 32,5 km | 15,5 miles | 20,2 miles |
| Capacité de franchissement d'obstacles | | | | |
| Roue motrice propulsion Q700 R | 80 mm | | 3,14" | |
| Capacité de franchissement d'obstacles avec monte-trottoir | | | | |
| Roue motrice propulsion Q700 R | 100 mm | | 3,9" | |
| Vitesse max. marche avant | | | | |
| Q700 R Roue motrice propulsion | 6 km/h | 12,5 km/h | 6 km/h | 12,4 km/h |
| Rayon de braquage | | | | |
| Q700 R Roue motrice propulsion | 950 mm | 950 mm | 37,4" | 37,4" |
| Espace de braquage / Largeur requise pour faire marche arrière | | | | |
| Q700 R Roue motrice propulsion | 1285 mm | | 50,6" | |
| Garde au sol | | | | |
| Q700 R Roue motrice propulsion | | 65 mm | | 2,55" |

| Description | Valeurs du système métrique | | Valeurs du système impérial et valeurs alternatives | |
|---|------------------------------|--------------------|---|-------------------|
| | Minimum | Maximum | Minimum | Maximum |
| Dimensions max. des batteries (I X L X H) | | 260 x 172 x 210 mm | | 10,2 x 6,8 x 8,3" |
| Capacité de la batterie | 50 Ah / 60 Ah / 80 Ah | | 50 Ah / 60 Ah / 80 Ah | |
| Tension de charge maximale | 24 V | | 24 V | |
| Courant de charge maximum | 12 A (rms) | | 12 A (rms) | |
| Type de connecteur | 📖 Manuel boîtier de commande | | 📖 Manuel boîtier de commande | |
| Isolation | Double isolation Classe 2 | | Double isolation Classe 2 | |

Caractéristiques techniques : Système d'assise SEDEO Ergo

FRANÇAIS

| | | | Valeurs du système métrique | | Valeurs du système impérial et valeurs alternatives | |
|--|-----------------------|------------------------------------|-----------------------------|---------|---|---------|
| | | | Minimum | Maximum | Minimum | Maximum |
| Réglage de l'angle d'inclinaison du siège | | | | | | |
| Bascule d'assise électrique avec ajustement du centre de gravité | en option | | 0° - 30° | | 0° - 30° | |
| Bascule d'assise électrique avec ajustement du centre de gravité | en option | | -5° - 25° | | -5° - 25° | |
| Bascule d'assise électrique avec ajustement du centre de gravité | en option | | 0° - 50° | | 0° - 50° | |
| Bascule d'assise électrique avec ajustement du centre de gravité | en option | | -5° - 45° | | -5° - 45° | |
| Profondeur utile du siège | | | 400 mm | 560 mm | 15,7" | 22,0" |
| Largeur utile du siège | | | 400 mm | 560 mm | 15,7" | 22,0" |
| Hauteur sol-siège | | | | | | |
| Bascule d'assise électrique avec lift (300 mm) | | | | | | |
| Pos. 1 | Batteries 60 ou 80 Ah | Angle d'inclinaison du siège de 0° | 435 mm | 735 mm | 17,1" | 28,9" |
| Pos. 2 | Batteries 60 ou 80 Ah | Angle d'inclinaison du siège de 0° | 455 mm | 755 mm | 17,9" | 29,7" |
| Pos. 3 | Batteries 60 ou 80 Ah | Angle d'inclinaison du siège de 0° | 480 mm | 780 mm | 18,9" | 30,7" |
| Distance de l'accoudoir au siège | | | 240 mm | 340 mm | 9,4" | 13,4" |
| Angle d'inclinaison du dossier | | | | | | |
| Inclinaison électrique avec compensation | | | 90° - 175° | | 90° - 175° | |
| Hauteur du dossier | | | 560 mm | 700 mm | 22,0" | 27,6" |
| Angle d'inclinaison du repose-jambe central électrique | | | | | | |
| Central électrique | | | 90° - 180° | | 90° - 180° | |
| Longueur du segment jambier | | | | | | |
| Central électrique | | | 340 mm | 520 mm | 13,4" | 20,5" |

Caractéristiques techniques : Système d'assise SEDEO Pro

| | Valeurs du système métrique | | Valeurs du système impérial et valeurs alternatives | |
|--|-----------------------------|---------|---|---------|
| | Minimum | Maximum | Minimum | Maximum |
| Réglage de l'angle d'inclinaison du siège | 0° - 30° | | 0° - 30° | |
| Bascule d'assise électrique avec ajustement du centre de gravité en option | -5° - 25° | | -5° - 25° | |
| Bascule d'assise électrique avec ajustement du centre de gravité en option | 0° - 50° | | 0° - 50° | |
| Bascule d'assise électrique avec ajustement du centre de gravité en option | -5° - 45° | | -5° - 45° | |
| Profondeur utile du siège | 400 mm | 600 mm | 15,7" | 23,6" |
| Largeur utile du siège | 380 mm | 560 mm | 15" | 22,0" |
| Hauteur sol-siège | | | | |
| Module d'assise manuel (sans mécanisme électrique de bascule d'assise, sans lift) | | | | |
| Pos. 1 Batteries 60 ou 80 Ah Angle d'inclinaison du siège de 0° | 415 mm | | 16,3" | |
| Pos. 2 Batteries 60 ou 80 Ah Angle d'inclinaison du siège de 0° | 440 mm | | 17,3" | |
| Pos. 3 Batteries 60 ou 80 Ah Angle d'inclinaison du siège de 0° | 465 mm | | 18,3" | |
| Pos. 4 Batteries 60 ou 80 Ah Angle d'inclinaison du siège de 0° | 490 mm | | 19,3" | |
| Bascule d'assise électrique avec lift (300 mm) | | | | |
| Pos. 1 Batteries 60 ou 80 Ah Angle d'inclinaison du siège de 0° | 415 mm | 715 mm | 16,3" | 28,1" |
| Pos. 2 Batteries 60 ou 80 Ah Angle d'inclinaison du siège de 0° | 440 mm | 740 mm | 17,3" | 29,1" |
| Pos. 3 Batteries 60 ou 80 Ah Angle d'inclinaison du siège de 0° | 465 mm | 765 mm | 18,3" | 30,1" |
| Pos. 4 Batteries 60 ou 80 Ah Angle d'inclinaison du siège de 0° | 490 mm | 790 mm | 19,3" | 31,1" |
| Angle d'inclinaison du dossier | | | | |
| Dossier à inclinaison réglable (avec outil) | 90° - 120° | | 90° - 120° | |
| Inclinaison électrique du dossier | 90° - 130° | | 90° - 130° | |
| Inclinaison électrique avec compensation | 90° - 150° | | 90° - 150° | |
| Hauteur du dossier (de la plaque d'assise à la partie supérieure et arrière du coussin de dossier) | 530 mm | 720 mm | 20,9" | 28,3" |
| Accoudoir relevable / Accoudoir amovible | | | | |
| Hauteur de manchette d'accoudoir (de la plaque d'assise à la partie supérieure de la manchette) | 260 mm | 380 mm | 10,2" | 15" |
| Largeur d'accoudoir (sur châssis) | -20 mm | +20 mm | -0,8" | +0,8" |
| Largeur de manchette d'accoudoir (profil d'accoudoir) | -20 mm | | -0,8" | |
| Profondeur de l'accoudoir (sur châssis avec rail d'assise court) | 250 mm | | 10,8" | |
| Profondeur de manchette d'accoudoir (profil d'accoudoir) | 100 mm | | 3,9" | |
| Inclinaison de manchette d'accoudoir (verticale) | 0° - 15° | | 0° - 15° | |
| Accoudoir relevable | | | | |
| Hauteur de manchette d'accoudoir (de la plaque d'assise à la partie supérieure de la manchette) | 250 mm | 400 mm | 9,8" | 15,7" |
| Largeur de manchette d'accoudoir (profil d'accoudoir) | -20 mm | | -0,8" | |
| Profondeur de manchette d'accoudoir (profil d'accoudoir) | 140 mm | | 5,5" | |
| Inclinaison de manchette d'accoudoir (verticale) | 0° - 15° | | 0° - 15° | |
| Potence centrale | | | | |
| Longueur du segment jambier (à partir de la plaque d'assise) | 305 mm | 460 mm | 12" | 18,1" |
| Angle genou | 70° - 120° | | 70° - 120° | |
| Angle d'inclinaison au niveau des chevilles | +20° - -40° | | +20° - -40° | |
| Repose-jambe central électrique | | | | |
| Longueur du segment jambier (à partir de la plaque d'assise) | 360 mm | 540 mm | 14,2" | 21,2" |
| Angle genou | 90° - 180° | | 90° - 180° | |
| Longueur maximale de compensation | 260 mm | | 10,2" | |
| Angle d'inclinaison au niveau des chevilles | +35° - -15° | | +35° - -15° | |
| Repose-jambes escamotables | | | | |
| Longueur du segment jambier (à partir de la plaque d'assise) | 350 mm | 510 mm | 13,8" | 20,1" |
| Angle genou | 70° | | 70° | |
| Angle d'inclinaison au niveau des chevilles | 0° - 180° | | 0° - 180° | |
| Repose-jambes escamotables à inclinaison manuelle/électrique | | | | |
| Longueur du segment jambier (à partir de la plaque d'assise) | 350 mm | 510 mm | 13,8" | 20,1" |
| Angle genou | 0° - 70° | | 0° - 70° | |
| Angle d'inclinaison au niveau des chevilles | 0° - 180° | | 0° - 180° | |
| Fixation d'appui-tête multi-positions SEDEO | | | | |
| Fourchette de réglage de hauteur de l'appui-tête | 170 mm | | 6,7" | |
| Fourchette de réglage de profondeur de l'appui-tête | 200 mm | | 7,9" | |
| Angle de l'appui-tête (vertical) | -45° - +45° | | -45° - +45° | |
| Largeur de l'appui-tête | -20 mm | 20 mm | -0,8" | +0,8" |
| Cales tronc | | | | |
| Fourchette de réglage de la largeur des supports latéraux | 90 mm | | 3,5" | |
| Fourchette de réglage de la hauteur des supports latéraux | 170 mm | | 6,7" | |
| Fourchette de réglage de la profondeur des supports latéraux | 45 mm | | 1,8" | |
| Plot d'abduction | | | | |
| Hauteur du plot (de la plaque d'assise à la partie supérieure du coussin) | 170 mm | 250 mm | 6,7" | 9,8" |
| Fourchette de réglage de profondeur du plot | 65 mm | | 2,5" | |
| Fourchette de réglage en hauteur de la barre de poussée | 140 mm | | 5,5" | |

12.0 Garantie

CELA N'AFFECTE EN AUCUN CAS VOS DROITS LEGAUX.

La garantie de Sunrise Medical* est détaillée dans les conditions de garantie suivantes.

Conditions de garantie :

1. Si une ou plusieurs pièces devaient être remplacées ou réparées suite à un vice de fabrication et/ou de matériel dans les 24 mois, la ou les pièces seront remplacées ou réparées gratuitement. La garantie ne couvre que les vices de fabrication.
2. Pour faire jouer la garantie, veuillez contacter le service client Sunrise Medical afin de préciser la nature du problème. En cas d'utilisation du produit dans une zone située en dehors du territoire du service après-vente (revendeur) Sunrise Medical, les réparations ou remplacements seront assurés par un autre service après-vente désigné par le fabricant. Le produit doit être réparé par un service après-vente désigné par Sunrise Medical.
3. Toute pièce réparée ou échangée dans le cadre de la garantie est couverte par la garantie pour la période restante conformément au point 1.
4. Concernant les pièces détachées d'origine installées ultérieurement et au frais du client, celles-ci sont couvertes par une garantie de 12 mois (à compter de l'installation), conformément aux présentes conditions de garantie.
5. La garantie ne peut être actionnée si la réparation ou l'échange du produit ou d'une pièce découle de l'un des cas de figure suivants :
 - a. L'usure normale, notamment celle des batteries, des accoudoirs, des toiles, des pneus, des patins de frein, fixations, etc.
 - b. Les anomalies découlant de la surcharge du produit. La charge maximale d'utilisation est indiquée sur l'étiquette CE.
 - c. Le produit n'a pas été entretenu ou révisé conformément aux recommandations du fabricant, telles qu'indiquées dans le manuel d'utilisation et/ou les notices d'entretien.
 - d. Les accessoires utilisés ne sont pas des accessoires d'origine.
 - e. Le produit - ou l'une de ses pièces - a été endommagé suite à un mauvais entretien, à un accident ou à une utilisation inadéquate.
 - f. Des changements/modifications non conformes aux spécifications du fabricant ont été effectués sur le produit ou des pièces.
 - g. Les réparations ont été effectuées avant d'en avoir informé le service client.
6. Cette garantie est soumise à la loi du pays d'achat du produit auprès de Sunrise Medical »

* Le lieu Sunrise Medical depuis lequel le produit a été acheté.

Neem contact op met uw plaatselijke erkende Sunrise Medical dealer, indien u vragen heeft over het gebruik, onderhoud of de veiligheid van uw rolstoel. Indien u niet weet of zich een goedgekeurde dealer in uw omgeving bevindt, of indien u andere vragen hebt, kunt u schriftelijk of telefonisch contact opnemen met:

Sunrise Medical B.V.
Groningenhaven 18-20
3433 PE Nieuwegein

The Netherlands
Phone: 31 (0)30 - 60 82 100

www.SunriseMedical.nl

Inhoudsopgave

| | |
|--|------------|
| 1.0 Gebruikersinformatie | 84 |
| 1.1 Deze gebruikershandleiding | 84 |
| 1.2 Voor meer informatie | 84 |
| 1.3 Betekenis van de symbolen die in deze handleiding worden gebruikt | 84 |
| 2.0 Veiligheid | 85 |
| 2.1 De symbolen en labels op het product | 85 |
| 2.2 Veiligheid: Temperatuur | 85 |
| 2.3 Veiligheid: Bewegende delen (Fig. 2.10) | 86 |
| 2.4 Veiligheid: Elektromagnetische straling | 86 |
| 2.5 Veiligheid: Verstikkingsgevaar | 87 |
| 2.6 Veiligheid: Gebruik van een (op een voertuig bevestigde) rolstoellift | 87 |
| 2.7 Veiligheid: Werkbladen | 87 |
| 2.8 Veiligheid: Optillen van de rolstoel | 87 |
| 3.0 Bedoelde gebruik van de rolstoel | 88 |
| 3.1 Toepassingen: De gebruiker | 88 |
| 3.2 Toepassingen: De omgeving van de gebruiker | 89 |
| 4.0 Instellen van de rolstoel | 90 |
| 4.1 Zitsysteem | 90 |
| 4.2 Zithoogte | 90 |
| 4.3 Zwaartekrachtspunt | 90 |
| 4.4 Hoogte en diepte van de bediening | 90 |
| 4.5 Programmering bedieningssysteem | 90 |
| 5.0 Gebruik van de rolstoel | 91 |
| 5.1 Controle van de rolstoel voor gebruik | 91 |
| 5.2 Overplaatsen | 92 |
| 5.3 Rijden met de rolstoel | 92 |
| 5.4 Bochten | 93 |
| 5.5 Remmen & Noodstop | 93 |
| 5.6 Rijden op een helling | 94 |
| 5.7 Obstakels en stoepanden: | 95 |
| 5.8 Duwen van de rolstoel | 96 |
| 5.9 (Elektrisch aangedreven) zitopties | 97 |
| 5.10 Geheugenfunctie zitsysteem (uitsluitend Sedeo Ergo) | 98 |
| 6.0 Accu's, opladen en bereik | 98 |
| 6.1 Accu's | 98 |
| 6.2 Opladen van accu's: | 99 |
| 6.3 Het bereik van uw voertuig: | 101 |
| 6.4 Garantie op de accu's: | 102 |
| 6.5 Vervangen van accu's | 102 |
| 6.6 Afkoppelen van accu's voor luchttransport. | 102 |
| 7.0 Transport | 104 |
| 7.1 Vervoer van de rolstoel in een auto | 104 |
| 7.2 De rolstoel als passagiersstoel | 106 |
| 7.3 Speciale vereisten ten aanzien van transport | 107 |
| 7.4 Algemene waarschuwingen voor transport | 107 |
| 8.0 Onderhoud en reiniging | 108 |
| 8.1 Onderhoud | 108 |
| 8.2 Onderhoud banden en bandenspanning | 110 |
| 8.3 Onderhoud van wielen en banden | 113 |
| 8.4 Onderhoud van verlichting: | 114 |
| 8.5 Reiniging en desinfectie | 114 |
| 8.6 Middellange tot lange opslag: | 114 |
| 9.0 Verwijdering | 115 |
| 10.0 Mogelijke problemen | 116 |
| 11.0 Technische specificaties: Toepasselijke normen/ standaarden | 116 |
| 12.0 Garantie | 122 |

Stempel en handtekening dealer

1.0 Gebruikersinformatie

Wij danken u dat u hebt gekozen voor een Sunrise Medical rolstoel. De hoogwaardige mobiliteitsproducten van Sunrise Medical zijn ontworpen om de onafhankelijkheid te vergroten en uw dagelijkse leven gemakkelijker te maken.

Wij streven naar voortdurende verbetering van onze producten. Daarom houdt Sunrise Medical zich het recht voor specificaties en ontwerp zonder kennisgeving te wijzigen.

Wijzigingen in informatie bedoeld voor bestaande gebruikers worden echter duidelijk gecommuniceerd indien deze essentieel zijn voor de veiligheid.

Voorts zijn niet alle functies en opties die worden aangeboden te verenigen met alle configuraties van de rolstoel.

Alle maten zijn bij benadering en kunnen worden gewijzigd.




De verwachte levensduur van de rolstoel is vijf jaar. Monteer of gebruik GEEN onderdelen van andere partijen op de rolstoel, tenzij deze officieel goedgekeurd zijn door Sunrise Medical.

1.1 Deze gebruikershandleiding

Deze gebruikershandleiding helpt u uw rolstoel te gebruiken en veilig te houden. De volledige gebruikershandleiding voor deze rolstoel bestaat uit drie boekjes:

- De algemene gebruikershandleiding (dit boekje)
- De gebruikershandleiding voor het zitsysteem
- De gebruikershandleiding voor de bediening

Waar nodig wordt in deze algemene handleiding verwezen naar andere handleidingen, zoals in de tabel hieronder weergegeven:

| | |
|---|---|
|  Zitsysteem: | Verwijst naar de gebruikershandleiding voor het zitsysteem. |
|  Bediening: | Verwijst naar de gebruikershandleiding voor de bediening. |
|  Acculader: | Verwijst naar de gebruikershandleiding voor de acculader. |

Gebruik uw rolstoel niet totdat u de volledige handleiding (en alle relevante boekjes) hebt doorgelezen en begrepen!

Als één van de gebruikershandleidingen ontbreekt, neem dan direct contact op met uw dealer.

1.2 Voor meer informatie

Neem contact op met uw plaatselijke erkende Sunrise Medical dealer, indien u vragen heeft over het gebruik, onderhoud of de veiligheid van uw rolstoel. Is er geen erkende dealer in uw regio of u heeft nog vragen, neem dan schriftelijk of telefonisch contact op met Sunrise Medical:

Voor informatie over veiligheidswaarschuwingen of terugroepacties (ook bekend als terughaalacties of corrigerende acties), gaat u naar www.SunriseMedical.nl.

1.3 Betekenis van de symbolen die in deze handleiding worden gebruikt

 **GEVAAR!**

Mogelijk risico op letsel of ernstig letsel, of overlijden.

 **WAARSCHUWING!**

Mogelijk risico op letsel.

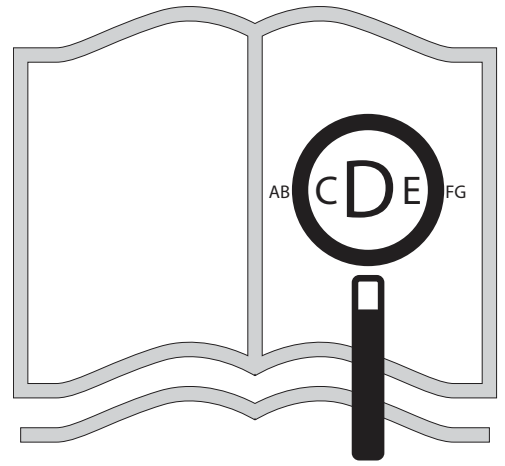
 **OPGELET!**

Mogelijke schade aan apparatuur.

OPMERKING:

Algemeen advies.

Wanneer deze instructies niet worden opgevolgd, kan dit leiden tot fysiek letsel, schade aan het product of schade aan de omgeving!



Als u visueel gehandicapt bent, kan dit document ook worden gelezen in Pdf-formaat op: www.SunriseMedical.nl



en is ook beschikbaar in grote tekst formaat op aanvraag.



2.0 Veiligheid

Volg de aanwijzingen naast deze waarschuwingssymbolen nauwgezet op! Wanneer deze instructies niet nauwkeuring in acht worden genomen, kan dit leiden tot fysiek letsel, schade aan de rolstoel of schade aan de omgeving. Waar mogelijk wordt in het betreffende hoofdstuk veiligheidsinformatie verschaft.

2.1 De symbolen en labels op het product

De tekens, symbolen en instructies die op de rolstoel zijn bevestigd, maken deel uit van de veiligheidsvoorzieningen. Ze mogen nooit worden bedekt of verwijderd. Ze moeten tijdens de hele levensduur van de rolstoel aanwezig en duidelijk leesbaar zijn.

Vervang of repareer direct alle onleesbare of beschadigde tekens, symbolen en aanwijzingen. Neem contact op met uw dealer als u hulp nodig hebt.

Fig. 2.1. Waarschuwing - Niet aanraken - HEET

Fig. 2.2. Verankeringspunt spanbanden voor vervoer

Fig. 2.3. Waarschuwing – Let op uw vingers

Fig. 2.4. Waarschuwing – Controleer of de quick-release van de zitting goed vastgeschroefd is voordat u uw rolstoel gebruikt, vooral als u op een helling rijdt.

Fig. 2.5. Waarschuwing – Rij niet met uw rolstoel op een helling met de rugleuning naar achteren en/of de zitting in staande positie.

Fig. 2.6. Waarschuwing – Maximale gebruikersgewicht voor de rolstoel: 160 kg

Fig. 2.7. Vrijloopmechanisme: buitenste hendel naar beneden = vrijloop

Fig. 2.8. Het serienummer en informatiesticker (slechts een voorbeeld).

Fig. 2.9. Plaats van sticker met serienummer, (zie volgende bladzijde) - Fig. 2.9.1 Midwielaandrijver, fig. 2.9.2 Voorwielaandrijver, 2.9.3 Achterwielaandrijver).



Fig. 2.1



Fig. 2.2



Fig. 2.3



Fig. 2.4

2.2 Veiligheid: Temperatuur

WAARSCHUWING!

- Vermijd te allen tijde fysiek contact met de motoren van de rolstoel. Tijdens het gebruik zijn de motoren voortdurend in beweging en kunnen daardoor zeer heet worden. Na gebruik koelen motoren slechts langzaam af. Fysiek contact kan brandwonden veroorzaken. Laat de motoren na gebruik minstens 30 min. afkoelen.
- Zorg ervoor dat de rolstoel niet langdurig aan direct zonlicht wordt blootgesteld als de rolstoel niet wordt gebruikt. Bepaalde delen van de rolstoel, zoals de zitting, de rugleuning en de armsteunen kunnen heet worden als ze te lang aan direct zonlicht worden blootgesteld. Dit kan brandwonden of allergische reacties op de huid veroorzaken.



Fig. 2.5

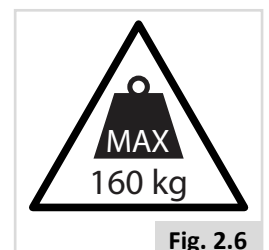


Fig. 2.6

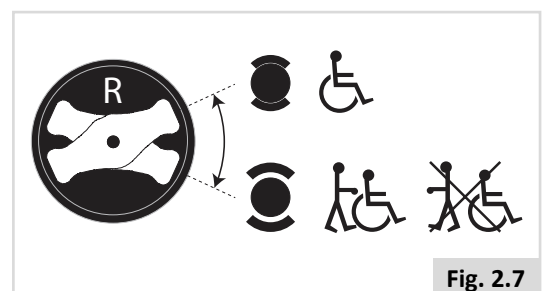


Fig. 2.7


| | | | |
|---|------------------------------|---|------------|
|  | SUNRISE MEDICAL | Sunrise Medical GmbH Karlshofstr. 2-4 69254 Malisch | XXXX-XX-XX |
| E-Rollstuhl | Ident.-Nr.: XXXXXXXXXXXXXXXX | | |
| Quickie | XXXX-X | FIN0Nr.: XXXXXXXXXXXXXXXX | |
| zul. Gesamtgewicht | XXXKG | max. Zul. | XXX kg |
| zul Achslasten: | Vo. XXKG | Mi. XXXKG | Hi. XXXKG |
| max. Geschw | XXkm/h | sichere Neigung | max XX° |

Fig. 2.8

2.3 Veiligheid: Bewegende delen (Fig. 2.10)

⚠ GEVAAR!

Een rolstoel heeft bewegende en roterende delen. Contact met bewegende delen kan leiden tot ernstig lichamelijk letsel of schade aan de rolstoel. Contact met de bewegende delen van de rolstoel moet worden vermeden.

- Wielen (aandrijf wiel en zwenkwiel)
- Elektrische kantelverstelling
- Elektrische hoog/laagverstelling
- Elektrische rughoekverstelling
- Wegzwenkbare stuurkashouder

2.4 Veiligheid: Elektromagnetische straling

⚠ OPGELET!

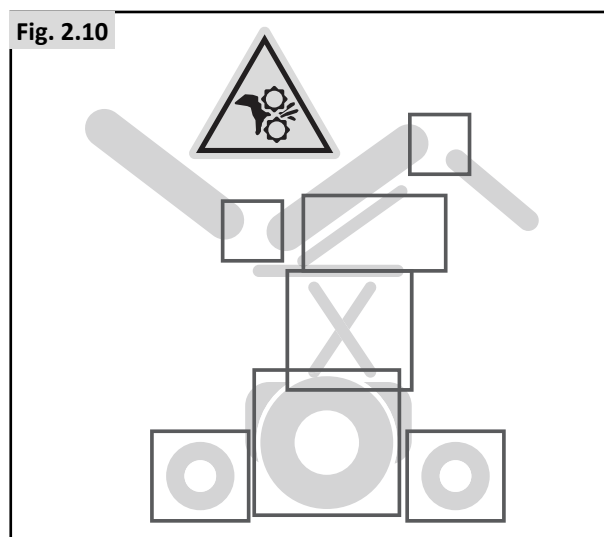
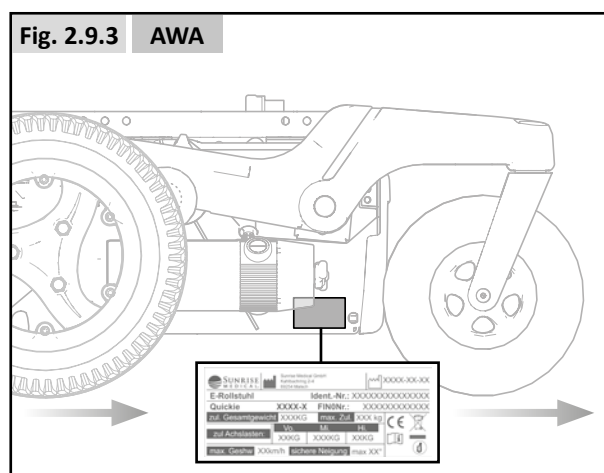
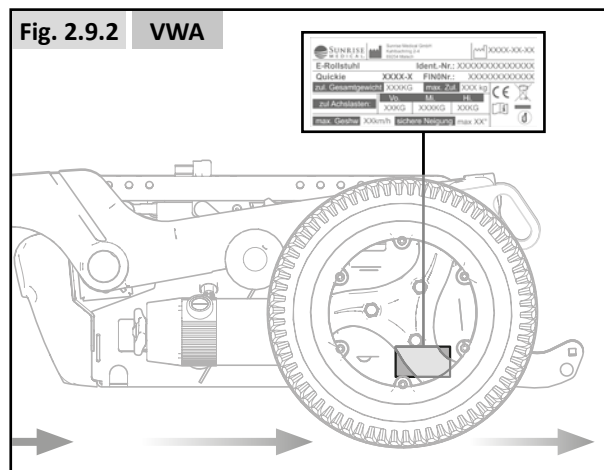
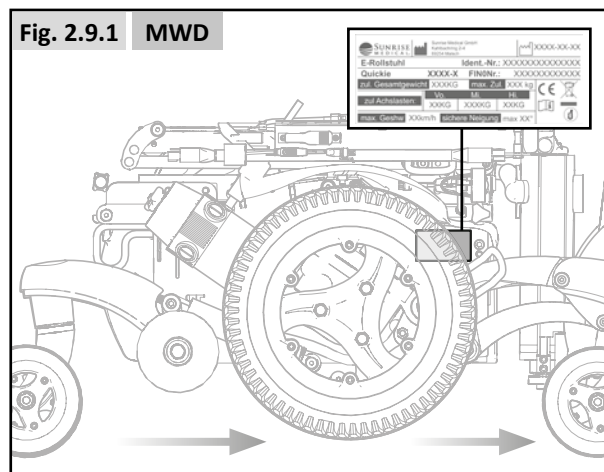
De standaarduitvoering van uw elektrische rolstoel is getest op de van toepassing zijnde eisen met betrekking tot elektromagnetische straling (EMC-eisen). Ondanks deze testen kan niet worden uitgesloten dat elektromagnetische straling invloed kan hebben op de rolstoel. Bijvoorbeeld:

- mobiele telefoons
- medische apparatuur
- andere bronnen van elektromagnetische straling
- Het is het niet uit te sluiten dat de elektrische rolstoel elektromagnetische velden beïnvloedt. Bijvoorbeeld:
 - winkeldeuren
 - alarmsystemen in winkels
 - garagedeuropeners

In het onwaarschijnlijke geval dat zich dergelijke problemen voordoen, vragen we u direct contact op te nemen met uw dealer.

⚠ GEVAAR!

- Wanneer er gebruik wordt gemaakt van tweezijdige radioverbindingen, walkietalkies, C.B., amateurradio, mobiele publieke radioapparatuur of andere krachtige zendapparatuur, moet de rolstoel tot stilstand worden gebracht en uitgezet.
- Het gebruik van draadloze telefoons en mobiele telefoons, zoals handsfree apparatuur, is geoorloofd, maar als de rolstoel vreemd (rij)gedrag vertoont, moet de stoel onmiddellijk tot stilstand worden gebracht en uitgezet.



2.5 Veiligheid: Verstikkingsgevaar



GEVAAR!

In dit mobiliteitshulpmiddel zijn kleine onderdelen verwerkt die onder bepaalde omstandigheden een verstikkingsgevaar voor kleine kinderen kunnen vormen.

2.6 Veiligheid: Gebruik van een (op een voertuig bevestigde) rolstoellift

In bussen, minibussen en gebouwen worden rolstoelliften gebruikt om u te helpen van een bepaald niveau naar een ander niveau te komen.



GEVAAR!

- De rolstoelgebruiker en alle verzorgers dienen de instructies van de liftfabrikant volledig te begrijpen wanneer er gebruik gemaakt wordt van de lift.
- Overschrijd nooit de aanbevolen richtlijnen voor maximaal veilige belasting.
- Zet altijd alle stroom uit wanneer u zich op de lift bevindt. Als u dit niet doet en onverhoopt de joystick aanraakt, kan dit tot gevolg hebben dat uw rolstoel van het platform afrijdt. De rolstop-beveiliging aan de rand van het platform kan dit niet altijd voorkomen.
- De gebruiker moet altijd op een goede en veilige manier in de rolstoel worden geplaatst om te voorkomen dat hij of zij valt terwijl de rolstoel op het liftplatform staat.
- Controleer altijd of de stoel in de rijmode staat wanneer men gebruik maakt van een passagierslift (wielen vergrendeld, niet in vrijloopmode).

2.7 Veiligheid: Werkbladen

Veiligheid: Wegklapbaar werkblad:



GEVAAR!

- Het maximaal toegestane gewicht voor het werkblad is 2,5 kg.
- Overbelast het werkblad niet; dit kan leiden tot afbreken van het werkblad of instabiel worden van de rolstoel.
- Laat geen brandende sigaretten of andere hittebronnen op het blad liggen; hierdoor kan het werkblad vervormen of kunnen brandvlekken ontstaan.
- Zorg ervoor dat handen, voeten en kledingstukken niet beklemd raken wanneer het werkblad wordt aangebracht om te gebruiken.

2.8 Veiligheid: Optillen van de rolstoel



WAARSCHUWING!

- Til dit zitsysteem nooit op aan onderdelen die verwijderd kunnen worden. Als u dit wel doet, kan dit leiden tot schade aan het zitsysteem of letsel bij de gebruiker.

3.0 Bedoelde gebruik van de rolstoel

Algemene beschrijving



De Q700 serie is een volledig modulair elektrisch rolstoelplatform. Dankzij het geavanceerde veersysteem is het rijgedrag van de rolstoel zowel binnen als buiten uitmuntend.

Het modulaire ontwerp, de eenvoud en de vele in- en verstelmogelijkheden zorgen ervoor dat de Quickie Q700 serie makkelijk is in onderhoud en hergebruik.

De Q700-serie voldoet aan individuele voorkeuren, behoeften of omstandigheden en is leverbaar in de volgende configuraties:

- Midwielaandrijving (MWA): Q700 M
- Voorwielaandrijving (VWA): Q700 F
- Achterwielaandrijving (AWA): Q700 R

Voor optimaal zitcomfort en individuele aanpassingen is de Q700-serie leverbaar in combinatie met


- Sedeo Ergo zitsysteem (zie voor meer informatie de handleiding van dit zitsysteem )
- Sedeo Pro zitsysteem (zie voor meer informatie de handleiding van dit zitsysteem )

3.1 Toepassingen: De gebruiker

De elektrisch aangedreven rolstoelen zijn uitsluitend bedoeld voor personen die niet kunnen lopen of verminderd mobiel zijn. De rolstoel is bedoeld voor persoonlijk gebruik, zowel binnen- als buitenshuis.

Deze rolstoel is ontworpen voor gebruikers die over voldoende cognitieve, fysieke en visuele capaciteiten beschikken om het voertuig veilig te besturen. De gebruiker moet in staat zijn de resultaten van handelingen die hij of zij uitvoert bij het besturen van de rolstoel, in te schatten en te corrigeren.

De rolstoel kan slechts één persoon tegelijk vervoeren. Het maximale gewicht dat de stoel kan dragen staat vermeld bij het serienummer; dit vindt u aan de kruisstang of stabiliseerstang onder de zitting. Het maximale gewicht is het totale gewicht van de gebruiker en de op de rolstoel gemonteerde accessoires, (Fig. 2.9).

Voor beperkingen in verband met het gebruikersgewicht verwijzen we naar de handleiding over zitsystemen .

De inhoud van deze gebruikershandleiding moet voor ingebruikname van de rolstoel bekend zijn bij de gebruiker. Daarnaast moet de gebruiker van de rolstoel grondige instructies hebben ontvangen van een gekwalificeerde specialist voordat hij of zij deelneemt aan het verkeer. Tijdens de eerste keren dat de gebruiker de rolstoel gebruikt, moet er bij voorkeur worden geoefend onder toezicht van een trainer/adviseur.

Dankzij de vele in- en verstelmogelijkheden en het modulaire ontwerp kan de rolstoel gebruikt worden door personen die niet kunnen lopen of beperkt mobiel zijn bijv. vanwege:

- Verlamming
- Amputatie (van been of benen)
- Disfunctioneren of misvorming van been of benen
- Contractuur van/letsel aan gewrichten
- Beroerte en hersenletsel
- Neurologische ziektes (zoals MS, Parkinson...)
- Ziektes zoals hart- en circulatieafwijkingen, evenwichtsstoelingen of cachexie evenals voor oudere mensen die nog kracht in het bovenlichaam hebben.
- Personen die mentaal en fysiek in staat zijn een inputmodule te gebruiken om de rolstoel en de verschillende functies veilig te gebruiken.
- Het maximale gebruikersgewicht mag de 160kg niet overschrijden.

Basisonderdelen (Fig. 3.1).

- | | | |
|---------------|------------------------|-------------------|
| 1. Hoofdsteen | 5. Beensteun | 9. Motoren |
| 2. Joystick | 6. Zwenkwiel voorzijde | 10. Accubehuizing |
| 3. Armsteun | 7. Aandrijfwiel | 11. Rugbekleding |
| 4. Zitkussen | 8. Zwenkwiel achter | |

Fig. 3.1



⚠ WAARSCHUWING!

- Het is niet toegestaan een rolstoel te gebruiken wanneer u onder invloed bent van medicijnen die invloed hebben op uw rijvaardigheid.
- Het zicht van de gebruiker moet toereikend zijn om de rolstoel in alle omstandigheden veilig te gebruiken.
- Er mag niet meer dan één persoon tegelijk in de rolstoel zitten.
- Laat kinderen niet zonder toezicht in de rolstoel rijden.

⚠ OPGELET!

- De gebruiker van de rolstoel is altijd volledig verantwoordelijk voor de naleving van de toepasselijke, lokale veiligheidsvoorschriften en -richtlijnen.

Begeleiders

Wanneer de stoel is uitgerust met een begeleidingsbesturing, kan de elektrische stoel namens de gebruiker worden bestuurd door een begeleider.

Wanneer de elektrische rolstoel is uitgerust met een begeleidersbesturing, kan de rolstoel worden bediend door de gebruiker of kan de besturing worden overgezet naar de begeleider.

- Zorg ervoor dat u alle waarschuwingen in acht neemt en alle instructies uit ieder hoofdstuk van deze handleiding opvolgt. Waarschuwingen die van toepassing zijn op de gebruiker, zijn ook op u van toepassing.
- Ga niet op onderdelen van dit zitsysteem staan of zitten.
- U moet samenwerken met de gebruiker en de arts, verpleegkundige of therapeut van de gebruiker, om veilige methodes te ontwikkelen die het beste bij uw mogelijkheden en die van de gebruiker passen.
- Controleer of de grepen van de duwhandvatten niet draaien of van de buizen afglijden.
- Zorg ervoor dat u de begeleidersbediening altijd gemakkelijk en comfortabel kunt bedienen terwijl de stoel in beweging is. Controleer ook of de bediening goed aan de rolstoel is bevestigd.
- Zorg ervoor dat de snelheid van de begeleidersbediening zodanig is afgesteld dat u de rolstoel gemakkelijk kunt volgen.
- Schakel altijd de stroom naar de controller uit wanneer u de gebruiker alleen in de rolstoel achterlaat.

3.2 Toepassingen: De omgeving van de gebruiker

Deze rolstoel is ontworpen voor gebruik binnens- en buitenshuis (EN12184 (2014) Klasse B). Wanneer de rolstoel buiten wordt gebruikt, dient men gebruik te maken van verharde wegen, stoepen, voet- en fietspaden. De snelheid moet worden aangepast aan de omgeving.

⚠ WAARSCHUWING!

- Rij voorzichtig als de wegen door regen, ijs of sneeuw glad zijn!
- Bij slecht zicht moet u de lichten aan doen.
- Bij hogere snelheden moet u extra voorzichtig zijn. Kies binnenshuis, op de stoep en in voetgangersgebieden voor een lagere snelheid.
- Rijd niet van hoge obstakels af.
- Bevestig geen gewicht aan de rolstoel zonder goedkeuring van een gekwalificeerde specialist. Het gewicht kan de stabiliteit van de rolstoel nadelig beïnvloeden.

⚠ OPGELET!

- Voorkom dat de rolstoel in contact komt met zeewater: zeewater heeft een bijtend effect en kan de rolstoel beschadigen.
- Voorkom dat de rolstoel in contact komt met zand. Zand kan de bewegende delen van de rolstoel binnendringen waardoor deze onderdelen onnodig snel slijten.
- Gebruik de rolstoel niet bij temperaturen lager dan -25°C of hoger dan +50°C.
- Gebruik de beensteunen niet om deuren mee te openen.
- Gebruik de rolstoel niet om voorwerpen te duwen of te trekken.
- Rij niet door plassen.

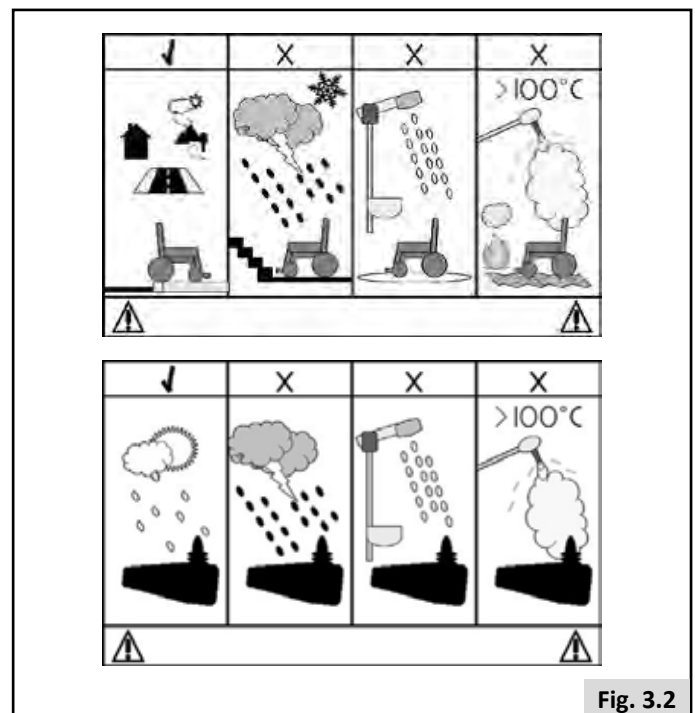


Fig. 3.2

4.0 Instellen van de rolstoel

De rolstoelen van Sunrise Medical kunnen worden aangepast aan de specifieke behoeften van de gebruiker. Daarbij maken we een onderscheid tussen rolstoelinstellingen en opties om de zitting van de rolstoel aan te passen. De rolstoel wordt éénmalig ingesteld bij de eerste keer dat de rolstoel wordt gebruikt. Dit moet door een gekwalificeerde specialist worden gedaan, tenzij nadrukkelijk anders wordt aangegeven. Aanpassingen van de zitting kunnen door de gebruiker zelf worden uitgevoerd. Voor deze aanpassingen zijn geen gereedschappen nodig.

4.1 Zitsysteem

De uitgebreide instellingen met betrekking tot het zitsysteem maken optimale ondersteuning voor het lichaam mogelijk (📖 Zitsysteem). De volgende instellingen zijn mogelijk:

1. Zitbreedte en zitdiepte
2. Hoek rugleuning
3. Hoogte/breedte armsteun
4. Lengte van het onderbeen
5. Hoek van de voetplaat
6. Hoek beensteun

4.2 Zithoogte

De zithoogte kan afhankelijk van de specifieke omstandigheden van de gebruiker worden ingesteld. Iedere optionele zithoogte valt binnen de maximale veilige helling zoals beschreven in EN12184 (2014) Klasse B. Het verlagen van de zithoogte heeft een positief effect op de (dynamische) stabiliteit.



WAARSCHUWING!

Het verhogen van de zithoogte heeft een negatief effect op de dynamische stabiliteit.

4.3 Zwaartekrachtpunt



GEVAAR!

Het aanpassen van het zwaartekrachtpunt van een elektrisch aangedreven rolstoel is fysiek vermoeiend en uit veiligheidsoogpunt een kritieke handeling. Sunrise Medical adviseert deze aanpassing uitsluitend te laten uitvoeren door een door Sunrise Medical erkende onderhoudsmonteur/dealer.

4.4 Hoogte en diepte van de bediening

(📖 Zitsysteem).

4.5 Programmering bedieningssysteem

Deze rolstoel is voorzien van een bedieningssysteem dat geprogrammeerd kan worden door instellingen binnen het systeem aan te passen. Deze programmering kan alleen door hiervoor opgeleide specialisten en door middel van professionele software worden uitgevoerd. De eindgebruiker mag deze instellingen niet zelf aanpassen.



GEVAAR!

Een onjuiste instelling van de parameters voor het bedieningssysteem kan tot zeer gevaarlijke situaties leiden. Instellingen moeten worden uitgevoerd door gekwalificeerde specialisten.

5.0 Gebruik van de rolstoel



GEVAAR!

- Wees erop bedacht dat u mogelijk de instellingen van de bediening van uw systeem moet aanpassen.
- Overleg direct met uw erkende dealer om de instellingen van de bediening aan te passen als u veranderingen opmerkt in uw vermogen om:

1. De joystick te bedienen
2. Houd uw bovenlijf rechtop
3. Vermijd botsingen met voorwerpen.

5.1 Controle van de rolstoel voor gebruik

Voer dagelijks, voor u wegrijdt, de onderstaande controle uit:




OPGELET!


Controle van wielen & banden

- Zijn de banden hard genoeg? (Hoofdstuk 8.2)

Controle van accu's

- Voordat u uw rolstoel voor de eerste maal gebruikt, moet u de accu's gedurende 24 uur onafgebroken opladen.
- Zijn de accu's voldoende opgeladen? Het groene licht van de accuspanningsmeter moet branden  Bediening

Controle van verlichting en richtingaanwijzers

- Controleer of de verlichting en richtingaanwijzers goed functioneren en de glazen schoon zijn voordat u in het donker naar buiten gaat.  Bediening

Controle van afstandsbediening

- Controleer, terwijl het bedieningssysteem uitgeschakeld is, of de joystick niet is verbogen of beschadigd en of de joystick terugkeert naar het midden wanneer u hem naar voren drukt en vervolgens loslaat.

Controle vrijloophendel

- Controleer of de vrijloophendel op 'rijden' is ingesteld. (Hoofdstuk 5.8).

Controle van zitting

- Controleer of alle kussens op de juiste plaats zijn bevestigd.
- Controleer of de rugleuning op de juiste plaats en wijze is bevestigd.
- Bekijk of de beensteunen, armsteunen en dergelijke op de juiste plaats en wijze zijn bevestigd en of alle bevestigingspunten voldoende strak aangedraaid zijn.
- Controleer of alle interfaceknoppen van de zitting aangedraaid zijn.

Controleer of kleding niet vast kan komen te zitten

- Controleer of uw kleding de rolstoel niet hindert tijdens het gebruik (bijv. te lange kleding). Controleer voor u wegrijdt altijd of uw kleding of accessoires niet in contact komen met de wielen en/of andere bewegende of draaiende delen, waardoor ze verstrikt kunnen raken.

Controleer de weersomstandigheden

- Bij koud weer vermindert de capaciteit van de accu's. Tijdens lichte vorst is de capaciteit ruwweg 75% van de normale capaciteit. Bij temperaturen lager dan -5°C neemt dit af naar 50%. Hierdoor wordt de actieradius kleiner.

5.2 Overplaatsen

Sunrise Medical adviseert dat u samen met uw arts of therapeut de voor u meest geschikte in- en uitstaptechniek (voorwaarts of zijwaarts) ontwikkelt om persoonlijk letsel te vermijden.

Vorbereiding voor een voorwaartse overplaatsing:

GEVAAR!


Het kan gevaarlijk zijn om zelf in- en uit de rolstoel te stappen. Hiervoor is een goede balans en handigheid vereist. Wees erop bedacht dat er tijdens iedere overplaatsing een moment komt dat u het zitsysteem niet onder u hebt.

Voor meer instructies en waarschuwingen voor het maken van een transfer, verwijzen we naar  Zitsysteem.

5.3 Rijden met de rolstoel

WAARSCHUWING

- De gebruiker van de rolstoel is altijd volledig verantwoordelijk voor de naleving van de toepasselijke, lokale veiligheidsvoorschriften en -richtlijnen.

Elektrisch aangedreven rolstoelen worden door middel van een bediening (controller) bestuurd. Er is een aparte gebruikershandleiding voor het bedieningssysteem en deze wordt meegeleverd met de rolstoel ( Bediening).

1. Schakel de bediening in.
2. Stel de maximale snelheid in.
3. Beweeg de joystick in de richting waar u naar toe wilt.
4. Als u de joystick meer naar voren brengt, rijdt de rolstoel sneller.

Achteruitkijkspiegel

WAARSCHUWING

- Let op de spiegel: deze steekt uit en kan bij onoplettendheid mensen verwonden als u langs rijdt.
- Op modellen die sneller dan 6km/u kunnen rijden is het mogelijk dat lokale wetgeving een spiegel vereist.
- Zorg er voor, wanneer u gebruik maakt van een spiegel, dat deze schoon en onbeschadigd is, zodat uw zicht niet gehinderd wordt.

4.15 Gebruik op de weg

Houd rekening met het andere verkeer op de weg.

GEVAAR!

- Het laatste dat een bestuurder van een auto of vrachtwagen verwacht, is een rolstoel die achterwaarts van de stoep de weg op rijdt.
- Als u twijfelt, steek dan niet de weg over, maar wacht tot u er zeker van bent dat het wel veilig is om over te steken.
- Steek de weg altijd zo snel mogelijk over om ander verkeer te vermijden.
- Rij niet over voorwerpen die gaatjes in de banden kunnen veroorzaken.
- Let op dat er geen voorwerpen op de weg liggen die mogelijk in uw stoelmechanisme of achterwielspaken beklemd raken. Hierdoor kan de stoel abrupt tot stilstand komen.
- Wanneer u over een rooster, kabel of rails rijdt, kunnen de (zwenk)wielen beklemd raken, waardoor de rolstoel abrupt tot stilstand komt.

Slechte omstandigheden:

Houd er rekening mee dat uw rolstoel onder slechte omstandigheden, zoals nat gras, modder, ijs, sneeuw of anderszins gladde ondergrond, minder grip en vermogen heeft.

GEVAAR!

- Sunrise Medical adviseert dat u onder deze omstandigheden extra voorzorgsmaatregelen neemt, vooral in heuvelachtig terrein of op hellingen. In dit soort situaties kan uw rolstoel instabiel worden of slippen, waarbij mogelijk letsel kan ontstaan.
- Wanneer u gebruik maakt van een elektrisch aangedreven rolstoel, wees dan extra voorzichtig met losse of lange artikelen of kleding. Wanneer kleding verstrikt raakt in bewegende delen, zoals de wielen, kan dit tot zeer gevaarlijke, of zelfs fatale situaties leiden.

OPMERKING:

Extreme variaties in de temperatuur kunnen ertoe leiden dat het zelfbeschermende mechanisme van het bedieningssysteem in werking treedt. In dat geval zal het besturingssysteem tijdelijk uitgeschakeld worden om schade aan de elektronica of aan de rolstoel te voorkomen.

5.4 Bochten

GEVAAR!

Het is niet verstandig om bochten te nemen met volle snelheid. Als het nodig is een scherpe bocht te maken, moet u uw snelheid verlagen door middel van de joystick of de snelheidsinstelling. Dit is vooral belangrijk wanneer u over of van een helling af rijdt. Negeren van dit advies kan tot gevolg hebben dat uw rolstoel kantelt.

WAARSCHUWING!

Gebruik de richtingaanwijzer wanneer u van richting verandert.

5.5 Remmen & Noodstop

Er zijn drie manieren om uw rolstoel tot stilstand te brengen:

- De eenvoudigste en veiligste manier om te stoppen is het loslaten van de joystick. Hierdoor komt de rolstoel op een beheerste manier tot stilstand.
- Door de joystick naar achteren te trekken komt de rolstoel snel en abrupt tot stilstand.
- Door het bedieningssysteem uit te schakelen terwijl de rolstoel in beweging is, komt de rolstoel ook tot stilstand.

WAARSCHUWING!

- Het uitschakelen van het bedieningssysteem mag uitsluitend in een noodsituatie worden gebruikt, omdat de rem actie zeer abrupt is.
- Probeer dit zitsysteem nooit te stoppen of af te remmen via de remvergrendeling (indien van toepassing). De wielvergrendeling is ontworpen om te voorkomen dat het systeem beweegt nadat het is gestopt. Het is geen remsysteem.

5.6 Rijden op een helling

Uw rolstoel is ontworpen en getest op gebruik op hellingen van maximaal:

Q700 M: 10° (17,6%) in standaard configuratie.

Q700 F: 8° (14%) in standaard configuratie.

Q700 R: 10° (17,6%) in standaard configuratie.

U hebt echter de mogelijkheid om uw zitpositie aan te passen via de zitlift, de kantelverstelling, de rughoekverstelling, de beensteunen of via een combinatie van deze mogelijkheden.

GEVAAR!

- De lift/kantelfunctie en verandering van de positie van de beensteunen kunnen van invloed zijn op de zwaartepunt van de rolstoel. Onder bepaalde omstandigheden kan dit leiden tot onstabielheid die tot onbedoeld kantelen kan leiden. Het kan noodzakelijk zijn een risicobeoordeling uit te voeren om te controleren of de rolstoel is aangepast op extreme situaties.
- Remafstanden op hellingen kunnen beduidend langer zijn dan op een vlakke grond.

GEVAAR!

- In bepaalde omstandigheden kan uw rolstoel onstabiel worden.
- Wees voorzichtig wanneer u een helling of stoeprand probeert op- of af te rijden, terwijl u gebruik maakt van de hierboven genoemde mogelijkheden (zoals elektrisch kantelen of sta-positie). Er moet in dat geval tegengewicht zijn.
- Om de stabiliteit te verbeteren wanneer u een helling oprijdt, leunt u voorwaarts met de zitting en rugleuning in een rechte positie.
- Of u moet goed rechtop gaan zitten en/of de zitting achterwaarts kantelen, wanneer u in voorwaartse richting van een helling afrijdt.
- We adviseren nadrukkelijk de stoel in lage positie, rechtop en in zittende positie in te stellen voordat u probeert een helling op- of af te rijden. Wanneer dit wordt nagelaten, kan de rolstoel mogelijk onstabiel worden.
- Indien u twijfelt over de mogelijkheden om met uw rolstoel een helling of stoep op- of af te rijden, probeer dan een alternatieve route te vinden.

Hellingen oprijden:

WAARSCHUWING!

- Houd de stoel in beweging wanneer u tegen een heuvel oprijdt.
- Stuur door de joystick voorzichtig naar voren te bewegen, waarbij u tijdens het rijden kleine aanpassingen naar links of rechts doet.
- Indien u op een heuvel tot stilstand bent gekomen, moet u langzaam weggrijden.
- Leun eventueel naar voren.

Hellingen afrijden:

Wanneer u van een helling afrijdt, is het belangrijk dat u de rolstoel niet harder laat rijden dan de normale basissnelheid.

GEVAAR!

- Rij langzaam bij steile afdalingen (minder dan 5km/u) en stop als u zich ongemakkelijk voelt.
- Rij op steile afdalingen langzaam (minder dan 5 km per uur) en stop wanneer u het gevoel krijgt de controle over de besturing te verliezen.
- Hervat de rit langzaam en laat de snelheid niet boven de snelheid komen waarbij u zich comfortabel voelt.

OPMERKING:

- Het bedieningssysteem beschikt over een systeem dat voor compensatie zorgt bij het nemen van een schuine stoep of heuvel. Dit is een bijkomende beveiliging op uw rolstoel. Daarnaast kunt u natuurlijk de rolstoel onder controle houden door het snelheidscontrolesysteem te gebruiken.

5.7 Obstakels en stoepranden:



- Rijd nooit achterwaarts van een stoep af.
- Rijd nooit een (rol)trap op- of af. Dit is niet veilig en kan leiden tot persoonlijk letsel en beschadiging van de rolstoel. Deze rolstoel is ontworpen om slechts één enkele tree of stoeprand op- of af te rijden.
- We adviseren dat gebruikers met een verminderde rompbalans veiligheidsgordels dragen om het lichaam rechtop te houden bij het op- of afgaan van hellingen, stoepranden of andere obstakels.

Stoeplimmer:

Benader de stoep altijd in een hoek van 90° (Fig. 5.5).

- Benader de stoeprand of trede altijd in een hoek van 90°
- terwijl u rustig en langzaam rijdt.
- Stop de stoel zodra de zwenkwielen de stoep bereiken.
- Geef de motoren voldoende kracht om de voorzijde van de stoel op de stoeprand te tillen. Vervolgens geeft u nog wat meer kracht en snelheid, zodat de aandrijfwielen van de rolstoel rustig en zonder aarzelen ook tegen de stoeprand of trede op rijden.
- Houd, voor zover mogelijk, de joystick recht naar voren.

De maximale obstakel- of stoeprandhoogte is:

- | | |
|------------------------|---------|
| • Q700 M: | 100 mm. |
| • Q700 F: | 70 mm. |
| • Q700 R: | 80 mm. |
| • Q700 R + stoeplimmer | 100 mm. |

De nadersnelheid en de procedure kan, afhankelijk van uw rolstoeltype en keuze van zwenkwielen, variëren.

Van de stoep af rijden.



Beweeg de stoel langzaam en voorzichtig in voorwaartse richting totdat beide wielen tegen de stoeprand aanstaan, ongeveer in een hoek van 90° ten opzichte van de stoep. (Fig. 5.3).

Rij zo langzaam mogelijk met de aandrijfwielen van de stoep af. Breng de stoel niet tot stilstand terwijl u bezig bent van een stoep af te rijden. U voelt zich veiliger als u naar achteren kunt leunen, maar als dit voor u niet mogelijk is, hoeft u zich geen zorgen te maken: de stoel is stabiel. Zolang u zich houdt aan de limieten, bent u veilig.

Alle elektrische verstellingen moeten in de uitgangspositie staan. Uw elektrisch verstelbare beensteunen moeten misschien worden aangepast, zodat u voldoende ruimte heeft om de stoep op of af te gaan.

Voor een veiliger gevoel adviseert Sunrise Medical de heupgordel te gebruiken tijdens het afrijden van een stoep. Voor extra veiligheid adviseert Sunrise Medical elke stoel met beensteunen uit te rusten.

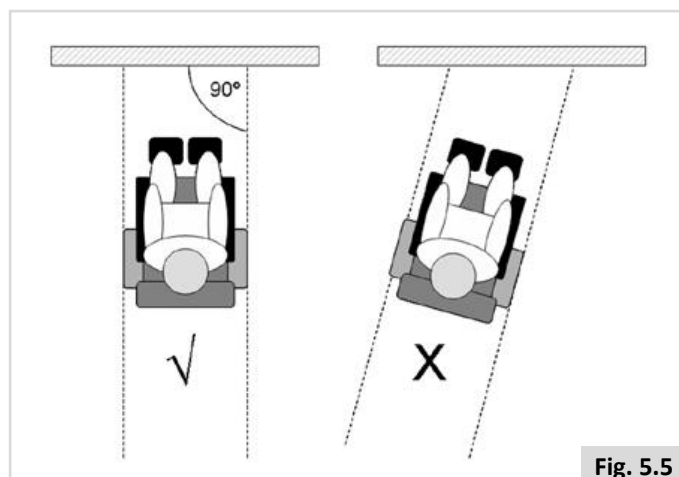


Fig. 5.5

5.8 Duwen van de rolstoel

De rolstoel kan verplaatst worden door deze te duwen. Hiertoe moeten de motoren via een vrijloophendel ontkoppeld zijn. Deze functie is ontwikkeld voor begeleiders van rolstoelgebruikers en functioneert tevens als vrijloop in geval van nood.

De vrijloophendel kent 2 posities

1. Om met de rolstoel te rijden. (Fig. 5.6).

Positie 'Rijden': Draai de hendel zodanig dat deze aan de kant van het aandrijf wiel naar boven wijst.

2. Om de motoren te ontkoppelen: (Fig. 5.7 - Fig. 5.8).

Positie 'Duwen': Draai de hendel zodanig dat deze aan de kant van het aandrijf wiel naar beneden wijst.

GEVAAR!

- De vrijloophendel mag uitsluitend door de begeleider worden bediend en nooit door de gebruiker.
- Een gebruiker mag nooit zonder toezicht worden achtergelaten als de rolstoel in de stand 'Duwen' staat.
- Zet de hendel nooit op een helling in de positie 'Duwen'. Als de vrijloophendel is ingesteld op 'Duwen', is de automatische parkeerrem gedeactiveerd. Hierdoor kan de rolstoel van een helling afrijden.
- De automatische parkeerrem functioneert alleen als de hendel in de positie 'Rijden' staat.
- Wanneer de rolstoel niet meer wordt geduwd, moet de vrijloophendel direct in de positie 'Rijden' worden gezet.
- Om het systeem handmatig voort te duwen, moeten de motorremmen worden ontkoppeld.
- De motorremmen mogen uitsluitend worden geactiveerd of gedeactiveerd als de stroom naar het systeem is uitgeschakeld.
- Verzekert u ervan dat u het systeem volledig onder controle hebt wanneer u de motorremmen ontkoppelt. Nadat u de motorremmen hebt ontkoppeld, heeft het systeem geen remmen.
- Verzekert u ervan dat de rolstoel op een vlakke ondergrond staat voordat u de motorremmen ontkoppelt.
- Duw de rolstoel uitsluitend voorwaarts door middel van de duwhandvatten. Ze bieden u veilige punten om de achterkant van de rolstoel vast te houden en een val of achterwaartse kanteling te voorkomen.
- Controleer of de grepen van de duwhandvatten niet draaien of van de buizen afglijden.

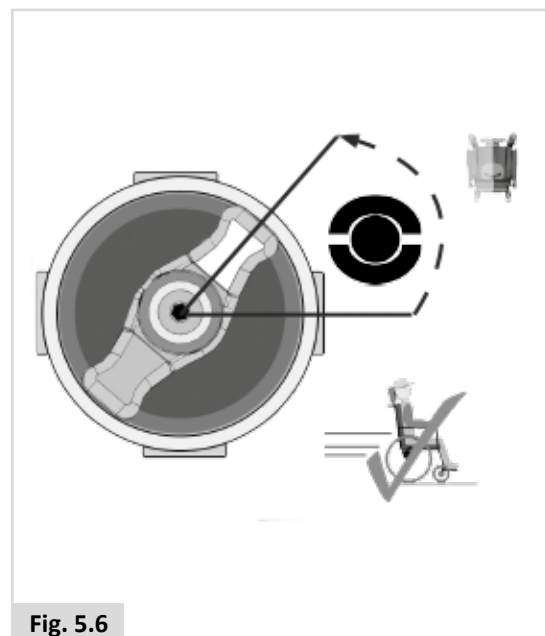


Fig. 5.6

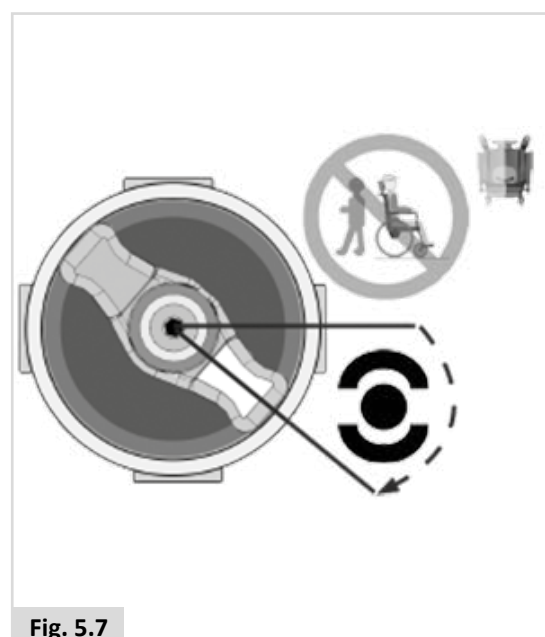


Fig. 5.7

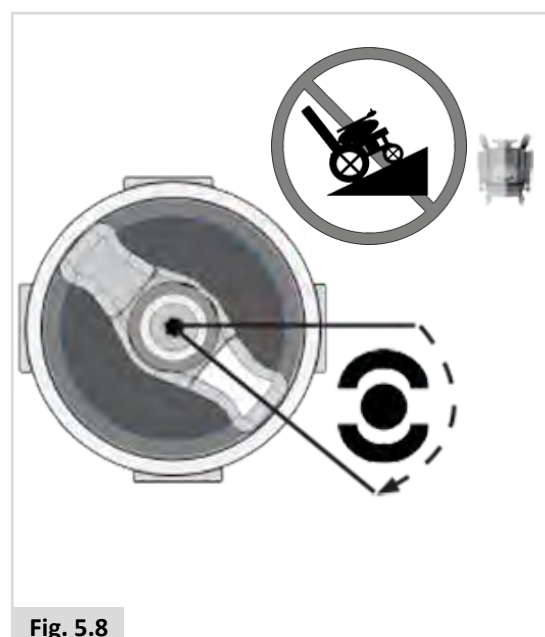


Fig. 5.8

5.9 (Elektrisch aangedreven) zitopties

De rolstoel kan met de volgende mechanische en/of elektrische verstellingen worden voorzien om de zitpositie aan te passen. Deze verstellingen kunnen door de gebruiker zonder gereedschap gebruikt worden.

Elektrische zitverstellingen (Fig. 5.9 - Fig. 5.11).

Hoe deze elektrisch aangedreven zitopties worden bediend, staat in

📖 Bediening + 📖 Zitsysteem:

1. Elektrische kantelverstelling
2. Elektrische hoog/laagverstelling
3. Elektrische rughoekverstelling
4. Elektrische comfort beensteunen

⚠️ GEVAAR!

- Het gebruik van de elektrische verstellingen kan de stabiliteit van de rolstoel beïnvloeden.
- Gebruik elektrische verstellingen alleen op vlakke ondergrond. Probeer nooit de elektrische verstellingen te gebruiken als de rolstoel op een helling staat.
- Vermijd contact met de actuators wanneer het component in beweging is. De elektrische verstellingen hebben een groot bereik. Gebruikers moeten zich bewust zijn van hun omgeving wanneer de onderdelen bewegen.
- Rij voorzichtig met dit zitsysteem wanneer deze in een achterwaarts gekantelde, verhoogde of gekantelde positie staat.
- Probeer nooit de elektrische verstellingen te gebruiken terwijl het zitsysteem in beweging is.
- Probeer nooit de elektrische hoog/laag en of kantelverstelling te gebruiken als er kinderen in de buurt zijn.
- Via de programmering kunnen alle elektrische verstellingen in omgekeerde richting worden uitgevoerd. Controleer in welke richting uw zitting zich zal bewegen voordat u de functie activeert.
- Houd er rekening mee dat de hoog/laag en kantelverstelling een gevaar op beklemming kan geven. Let goed op wanneer de hoog/laag en kantelverstelling worden gebruikt, zodat er geen handen of voeten, kleding of sieraden beklemd raken; dit kan tot letsel leiden.
- Rij niet met de zitting in verhoogde positie over rijplaten of hellingen. Voordat u probeert een helling op of af te gaan, dient u de rolstoel in de basispositie terug te brengen, met de rugleuning rechtop.
- Het systeem is zodanig ontworpen dat de maximale rijnsnelheid automatisch wordt verlaagd naar kruipmodus, of de rolstoel komt tot stilstand, wanneer bepaalde grenzen van de elektrisch aangedreven zitopties zijn bereikt. Afhankelijk van de instellingen van de rolstoel kunnen er verschillende kruipsnelheden zijn.

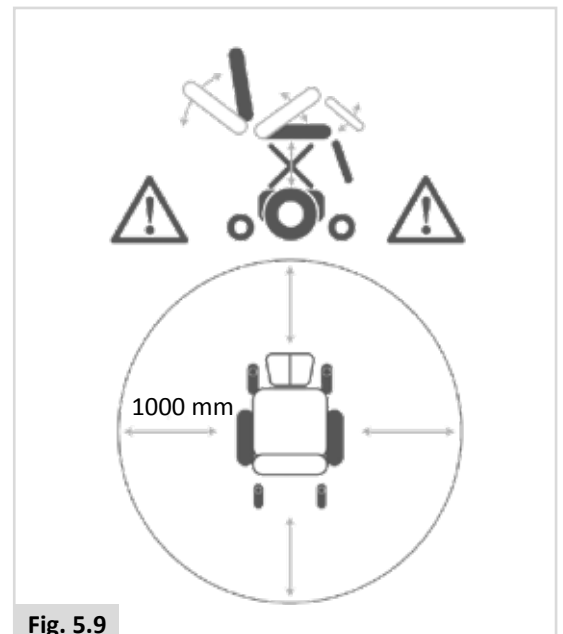


Fig. 5.9



Fig. 5.10

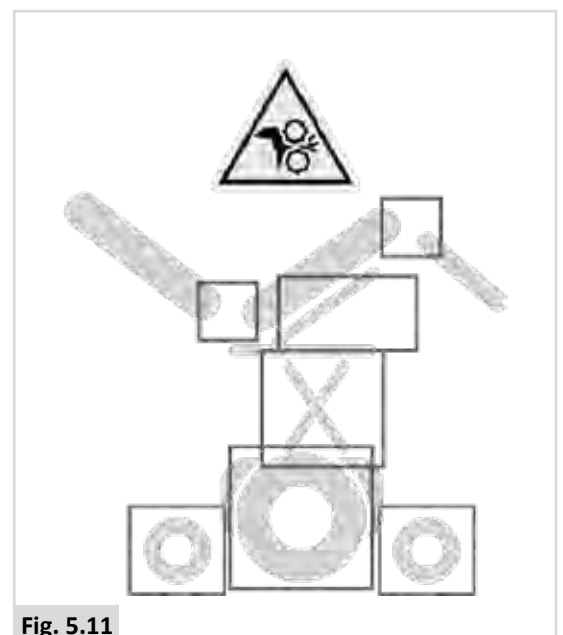


Fig. 5.11

5.10 Geheugenfunctie zitsysteem (uitsluitend Sedeo Ergo)

Het bedieningssysteem van de Q700 M/F/R beschikt over 4 vooraf ingestelde 'geheugenposities'. Af fabriek zijn er op iedere geheugenlocatie vooraf bepaalde stoelposities ingesteld:

1. Ontspanfunctie
2. Ligfunctie
3. Zitfunctie

Er is een 4e geheugenpositie (Persoonlijke positie) die gebruikt kan worden als een speciaal voor de persoon afgestelde positie. De actuatoren van de zitting werken allemaal met een feedbacksysteem om hun bewegingen en posities te traceren.

Dit is belangrijk:

- a. om de gewenste geheugenpositie te bereiken;
- b. om te voorkomen dat de stoel mechanisch gezien tegenstrijdige bewegingen uitvoert;
- c. zodat de actuatoren specifiek op een ergonomische, soepele en veilige manier naar de geheugenpositie bewegen.

Er is één vrije programmeerbare geheugenpositie. Maar als de vooraf ingestelde geheugenposities niet geschikt zijn voor de gebruiker, kunnen deze allemaal worden gewijzigd en afgestemd op de behoeften van de rolstoelgebruiker. De software houdt hierbij rekening met het bereik van de beschikbare mechanische bewegingen en alle veiligheidsaspecten.

Zitfunctie:

De zitfunctie zoals omschreven in nr. 3 in de bovenstaande tekst is een vooraf bepaalde 'standaard' zitpositie.

De functie biedt de mogelijkheid om altijd terug te keren naar deze 'standaard' zitpositie wanneer u andere geheugenposities (relax of liggen) gebruikt. Om terug te keren naar de standaardpositie, trekt u de joystick rustig achterwaarts.

6.0 Accu's, opladen en bereik

6.1 Accu's

Accu's vormen de krachtbron voor bijna alle moderne mobiliteitsproducten die tegenwoordig verkrijgbaar zijn. Het ontwerp van accu's die in mobiliteitsproducten worden gebruikt is wezenlijk anders dan bijvoorbeeld een accu van een auto. Auto-accu's zijn ontworpen om een grote hoeveelheid stroom te leveren in een korte periode, terwijl mobiliteitsaccu's (doorgaans "deep cycle" accu genoemd), hun vermogen gelijkmatig gedurende een lange tijdsduur afgeven. Derhalve zijn mobiliteitsaccu's doorgaans duurder, vanwege de lagere productieaantallen en hogere technologische eisen.

Meestal worden twee 12-volt accu's tegelijk gebruikt in een mobiliteitsproduct, wat een totaal vermogen van 24 volt oplevert. De capaciteit van de accu (d.w.z. het beschikbare vermogen) wordt in amps per uur uitgedrukt (bijv. 70 amp/u). Hoe hoger het getal, des te groter de capaciteit en het gewicht van de accu, en mogelijk, hoe groter de afstand die u kunt afleggen. Sunrise Medical levert dit type rolstoelen standaard met onderhoudsvrije accu's.

Dit soort accu is gevuld met een elektrolyte-gel. Zoals de naam al aangeeft, is er geen ander onderhoud nodig dan regelmatig laden. U kunt dit soort accu veilig vervoeren, zonder gevaar voor morsen van zuur. **Voorts is het toegestaan deze accu's in vliegtuigen, treinen en schepen te vervoeren.**

OPGELET!

- Plaats nooit auto-accu's in de rolstoel. Maak uitsluitend gebruik van 'deep cycle' onderhoudsvrije mobiliteitsaccu's.
- Als de accu's op zijn, breng ze dan weg naar het plaatselijke afvalverwerkingspunt.
- Stel de accu niet bloot aan hitte (open vuur, gasvlammen, etc.).
- Let vooral goed op dat er geen metalen voorwerpen op de accu vallen. Dit kan vonken geven of tot kortsluiting leiden in de accu of andere elektrische onderdelen. Dit kan zelfs tot een explosie leiden. Doe ook alle metalen persoonlijke voorwerpen, zoals ringen en kettingen, af wanneer u met de accu bezig bent.
- Lever de batterijen in bij Sunrise Medical of bij de fabrikant van de batterijen als ze niet langer voldoende opgeladen kunnen worden.
- De accupolen moeten geregeld worden gecontroleerd op tekenen van corrosie. Indien er sprake is van corrosie, maak dan de accupolen volledig schoon en vet ze in met Vaseline. Gebruik geen gewoon vet. Controleer of de accuaansluiting, pool, kabelklem en zichtbare kabel volledig met vaseline bedekt zijn.

GEVAAR!

- Stel de accu niet bloot aan hitte (open vuur, gasvlammen, etc.).
- Let vooral goed op dat er geen metalen voorwerpen op de accu vallen. Dit kan vonken geven of tot kortsluiting leiden in de accu of andere elektrische onderdelen. Dit kan zelfs tot een explosie leiden. Doe ook alle metalen persoonlijke voorwerpen, zoals ringen en kettingen, af wanneer u met de accu bezig bent.

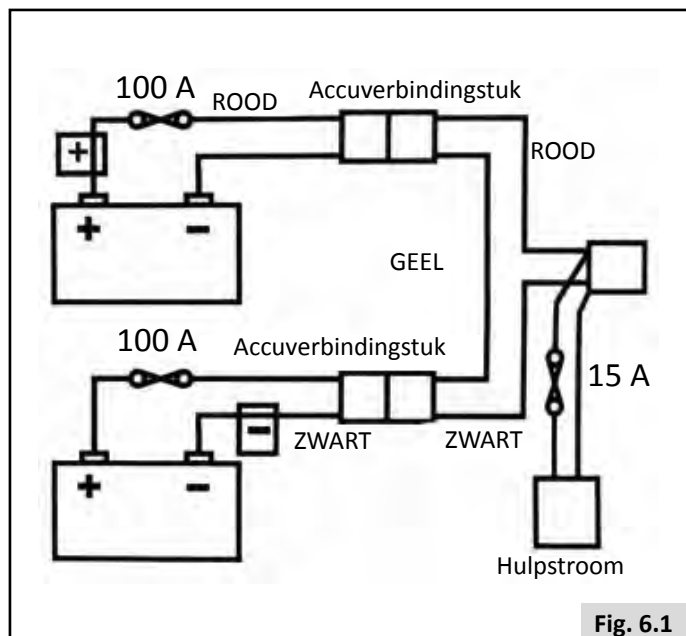


Fig. 6.1

⚠ GEVAAR!

- "Knoei" of "knutsel" nooit met de accu's. Als u twijfelt over de accu's, neem dan contact op met uw plaatselijke erkende Sunrise Medical dealer.
- Vermijd aanraking met "natte" accu's of met het zuur op beschadigde accu's van het verzegelde type.
- Accuzuur kan verbranding van de huid veroorzaken en tevens schade aan vloeren, meubilair of uw rolstoel veroorzaken.
- Als er accuzuur met de huid of kleding in contact komt, was deze dan onmiddellijk met water en zeep.
- Als er accuzuur in de ogen komt, spoel uw ogen dan onmiddellijk uit met koud, stromend water gedurende minstens 10 minuten en neem direct contact op met een arts.
- Gemorst zuur kan worden geneutraliseerd met baksoda en water.
- Houd de accu's altijd rechtop, speciaal wanneer u uw rolstoel vervoert.

Stroomonderbrekers

Er zijn diverse beveiligingssystemen ingebouwd om de elektrische systemen van uw rolstoel bij kortsluiting te beschermen, (Fig. 6.1).

1. In de accukast zijn 100 A smeltzekeringen geplaatst om de accu's en bedrading te beschermen.
2. 15A zekeringen voor hulpstroomcircuit voor ondersteunende modules en de stroomvoorziening voor het zitsysteem.

Neem contact op met uw erkende Sunrise Medical dealer om zekeringen te vervangen. Hij kan dan tevens de oorzaak van het doorbranden vaststellen.

6.2 Opladen van accu's:

Acculader: Lees de gebruiksaanwijzing die met de oplader is meegeleverd, zorgvuldig door. De algemene procedures en effecten betreffende interferentie van de rolstoel en de accu's blijven van kracht.



Onderhoudsschema voor accu's


Hieronder wordt beschreven hoe u voor onderhoudsvrije accu's kunt zorgen. Dit hebben Sunrise Medical en de accufabrikant samen afgesproken om ervoor te zorgen dat u het beste uit uw accu's haalt. Als u de accu's op een andere wijze verzorgt, kan dit resulteren in een lagere dan verwachte prestatie van uw mobiliteitsvoertuig.

- Gebruik uitsluitend een Sunrise Medical oplader die overeen komt met het voertuig dat opgeladen moet worden.
- Laad uw accu's elke nacht op, ongeacht hoeveel u uw rolstoel overdag gebruikt heeft.
- Onderbreek de laadcyclus niet.
- Laat uw rolstoel aan de oplader staan wanneer u hem niet nodig hebt. Dit heeft geen schadelijke gevolgen voor de accu's, zolang de stekker in het stopcontact van het stroomnet zit. Wanneer u de kabel aangesloten laat, maar de stekker uit het stopcontact trekt, zal uw accu uiteindelijk leeg raken.
- Wanneer u uw rolstoel langere tijd niet nodig hebt (langer dan 15 dagen), laad dan de accu's volledig op en ontkoppel vervolgens de hoofdkabel van de accu.
- Wanneer u de accu's onvoldoende oplaadt, kan dit leiden tot een verkleinde actieradius en kortere levensduur van de accu's.
- Laad uw accu's overdag niet bij. Wacht tot de avond, wanneer een volledige laadcyclus mogelijk is.
- In het algemeen hebben onderhoudsvrije accu's meer tijd nodig om op te laden dan 'natte' loodzuur accu's.
- De accupolen moeten geregeld worden gecontroleerd op tekenen van corrosie. Indien er sprake is van corrosie, maak dan de accupolen volledig schoon en vet ze in met Vaseline. Gebruik geen gewoon vet. Controleer of de accuaansluiting, pool, kabelklem en zichtbare kabel volledig met vaseline bedekt zijn.
- Wanneer u alle bovengenoemde aanwijzingen opvolgt, resulteert dit in een grotere actieradius voor de gebruiker, beter functioneren en langere levensduur van de accu.

Aansluiten van de accu-oplader

Aansluiten van oplader en opladen

- Schakel de bediening van de rolstoel uit.  Bediening:
- Steek de ronde stekker van de acculader in het contact van de lader aan de voorzijde van de joystickmodule.  Bediening:
- Verbind de oplader met het stroomnet door middel van de netwerkstekker en zet de oplader aan.

Meer informatie over de acculader vindt u in de instructies die zijn meegeleverd met de oplader.  ACCULADER. Het kan tot 12 uur duren voordat de accu's weer volledig zijn opgeladen, afhankelijk van hoe leeg ze waren.

GEVAAR!

- Controleer of de snoer een zodanige plek heeft dat niemand er op staat, over struikelt of op andere wijze schade oploopt.
- Laat de accu niet boven op de oplader staan.
- Laat de oplader niet op een tapijt of andere zachte ondergrond staan. Plaats de oplader altijd op een harde ondergrond.
- Gebruik de oplader niet als deze een harde klap heeft gehad, is gevallen of op andere wijze beschadigd is. Breng de oplader eerst naar een erkende elektricien.
- Plaats de oplader nooit direct boven de accu terwijl deze wordt opgeladen. De gassen uit de accu veroorzaken corrosie en kunnen daardoor de oplader beschadigen.
- Laad nooit een bevroren accu op. Een volledig opgeladen accu zal vrijwel nooit bevriezen, maar de elektrolyten van een lege accu kunnen bevriezen bij een temperatuur van -9° Celsius. Wanneer u vermoedt dat de accu bevroren is, moet deze volledig worden ontdooid alvorens op te laden.
- Ga nooit met de oplader op schoot zitten terwijl u de accu's oplaadt.
- Het is normaal dat de behuizing van de oplader tijdens het opladen heet wordt.
- Haal de oplader niet uit elkaar; laat de oplader uitsluitend repareren door de fabrikant. Onjuiste hermontage kan leiden tot een elektrische schok of brand.
- Haal de oplader uit het stopcontact voordat u onderhoud pleegt of de oplader schoonmaakt. Zo verkleint u het risico om een elektrische schok te krijgen. Het uitzetten van het bedieningssysteem is niet voldoende om het risico te verkleinen.
- Rook niet en vermijd vonken of vlammen in de nabijheid van de accu en oplader.
- Laad de accu's niet buiten op.
- Het wordt aanbevolen een rookmelder te gebruiken in de ruimte waar wordt opgeladen.

Acculader

De externe oplader is ontworpen om twee in serie geplaatste 12 V gelaccu's (= 24V) op te laden.

De opladers zijn voorzien van veiligheidsfuncties om gevaar of ongelukken te voorkomen. Hierbij kunt u denken aan het verkeerd om plaatsen van de accu's, oververhitting door storingen, of het opladen van accu's met een ander voltage. De meeste opladers zijn dubbel geïsoleerd en hoeven niet te worden geaard. Sommige grotere maten kunnen wel elektrisch geaard zijn; dit wordt duidelijk op het label aangegeven.

Indien uw oplader bedoeld is voor gebruik in continentaal Europa, beschikt hij over een stekker met twee polen en heeft geen zekering. In dat geval bevindt de zekering zich in het bedieningspaneel van de oplader.

Specifieke informatie voor het land: GROOT-BRITTANNIË

De stekkers met drie pinnen (voor de Britse markt) bevatten een vervangbare zekering. Op het etiket van de oplader staat het aantal ampère van deze zekering.

GEVAAR!

- Vervang een kapotte zekering - zoals bij alle elektrisch aangedreven apparaten - altijd door een zekering van hetzelfde soort en maat, zoals gespecificeerd.
- Het plaatsen van een ander soort zekering kan leiden tot een grotere kans op brand, schade aan de oplader, of de oplader functioneert niet meer.

6.3 Het bereik van uw voertuig:

Kijk voor energieverbruik (maximale actieradius) in de tabellen met specificatie achterin deze handleiding.

De meeste fabrikanten van mobiliteitsproducten vermelden het bereik van hun voertuigen in de verkoopliteratuur of de handleiding. Het vermelde bereik verschilt soms per fabrikant, zelfs als de accumaat dezelfde is. Sunrise Medical meet het bereik van zijn voertuigen op consistente en uniforme wijze, maar er doen zich altijd variaties voor door effectiviteit van de motor en het totale gewicht van de rolstoel.

Het bereik is berekend volgens I.S.O. Standaard 7176, Deel 4: "energieverbruik van elektrische rolstoelen en scooters voor de bepaling van de theoretische maximumafstand".

Deze test wordt uitgevoerd in gecontroleerde condities met nieuwe, volledig opgeladen accu's op een vlakke testondergrond en een gebruikersgewicht van 100 kg. De verstrekte cijfers voor het bereik moeten beschouwd worden als een theoretisch maximum en kunnen teruglopen als een van de volgende omstandigheden of een combinatie daarvan zich voordoet:

- Gebruiker is zwaarder dan 100 kg.
- Accu's met een leeftijd en conditie die niet perfect zijn.
- Het terrein is zwaar door bijvoorbeeld heuvels, modderige grond, grint, gras, sneeuw of ijs.
- De stoepenklimber wordt geregeld gebruikt.
- De omgevingstemperatuur is zeer warm of zeer koud.
- Onjuiste bandenspanning bij één of meer banden.
- Vaak starten en stoppen.
- Binnenshuis kan hoogpolig tapijt het bereik ook beïnvloeden.
- Gebruik van aanvullende opties die eveneens stroom verbruiken, zoals verlichting, actuators enzovoorts.

Elk Sunrise Medical product is uitgerust met een dusdanige maat accu dat deze voldoende vermogen heeft voor de leefwijze van de meeste gebruikers.

6.4 Garantie op de accu's:

De garantie op de accu's is afhankelijk van de termijn zoals bepaald door de fabrikant. Voor de meeste garantievoorzwaarden geldt echter een gebruik- en slijtageclausule. Als uw accu na 6 maanden versleten is, is het niet mogelijk onder de garantiebepalingen een nieuwe accu te verkrijgen.

6.5 Vervangen van accu's

De rolstoel gebruikt twee in serie geplaatste 12V gesloten 'droge' gelaccu's. Deze accu's zijn volledig verzegeld en vereisen geen onderhoud.

Vervanging en onderhoud van accu's moet door een gekwalificeerde specialist worden uitgevoerd.

Neem bij storing in de accu's contact op met uw dealer.

⚠ GEVAAR!

- Probeer niet zonder toezicht van opgeleid en gekwalificeerd personeel de accu's te vervangen of te onderhouden.

6.6 Afkoppelen van accu's voor luchttransport.

De accu's bevinden zich in de rij-eenheid onder de accubehuizing.

Afkoppelen van accu's:

- Maak de twee schroeven los van de hendel onder de voorzijde van het zitframe, dat het zitframe verbindt met de interface van de zitmodule, (Fig. 6.2).
- Duw het frame van de zitting achterwaarts (Fig. 6.3).
- Controleer, voordat u het frame loslaat, of de zitting via de vergrendeling is veiliggesteld (Fig. 6.4 - A)
- Til de deksel van de accubehuizing eraf, (Fig. 6.4 - B).
- Maak de twee Anderson penstekkers van iedere accu los (Fig. 6.5).

Om de accu's weer aan te sluiten, volgt u de bovenstaande procedure in omgekeerde volgorde.

⚠ WAARSCHUWING:

Door het verwijderen van de accu's kan het zwaartekrachtspunt wijzigen. Het kan gebeuren dat de rolstoel achterover kantelt doordat het gewicht van de accu's ontbreekt. Sunrise adviseert:

- iets achter de stoel te zetten om de situatie veilig te stellen. Bijvoorbeeld een stoel, kruk of iets dergelijks.
- Probeer eerst de accu een klein stukje op te tillen om te zien wat er gebeurt wanneer u de accu weghaalt.

Fig. 6.2

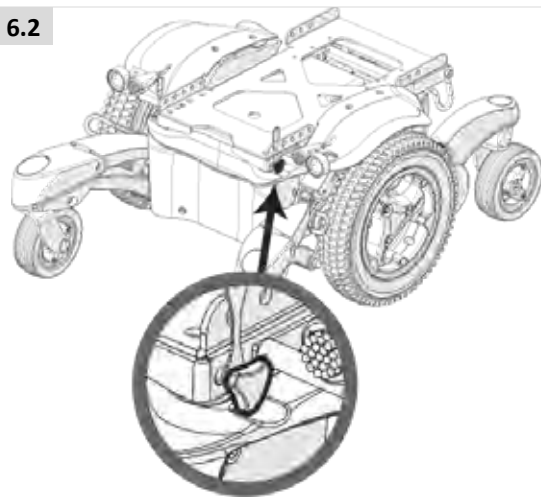


Fig. 6.3



Fig. 6.4

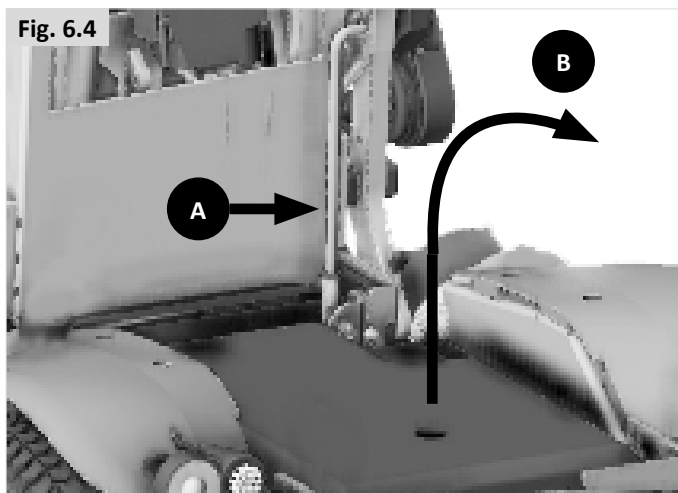
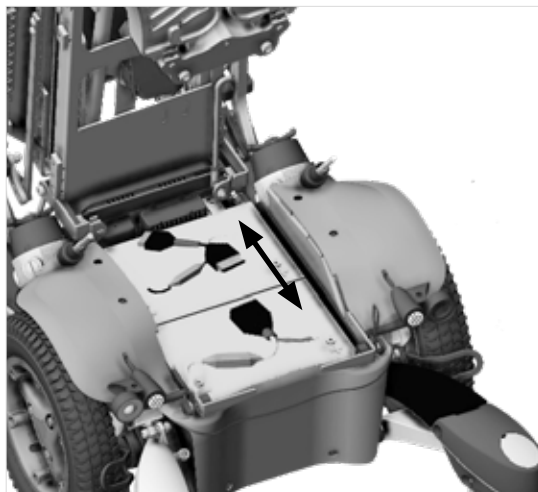


Fig. 6.5



Om de accu's op de voorwiel- en achterwielaandrijver af te koppelen:

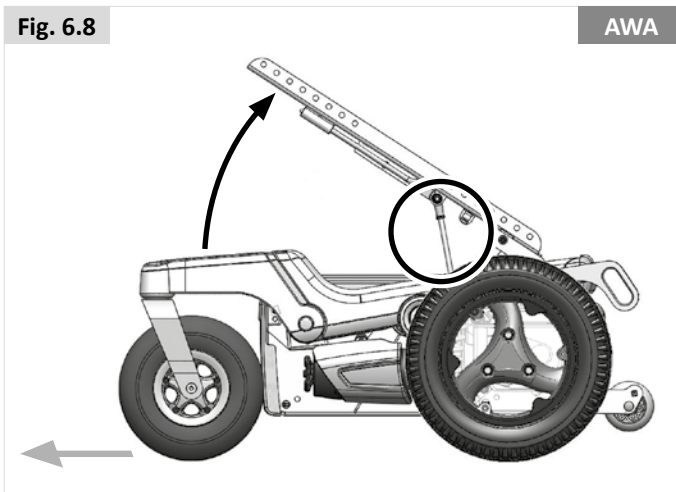
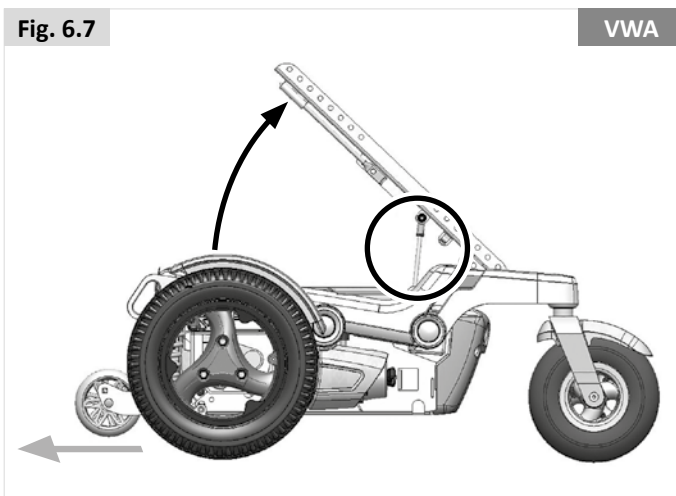
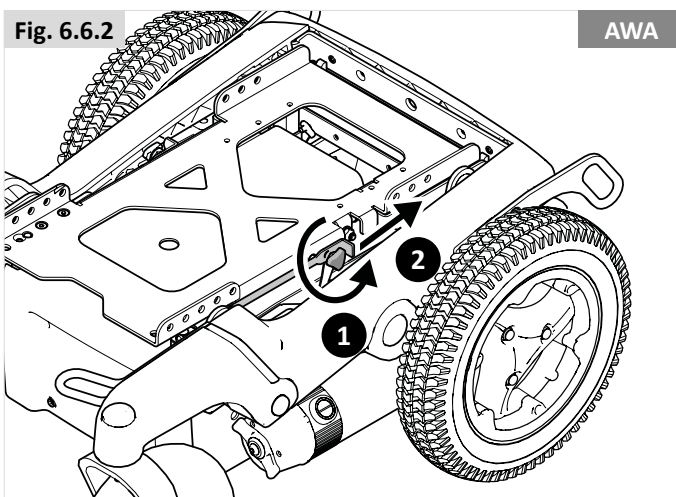
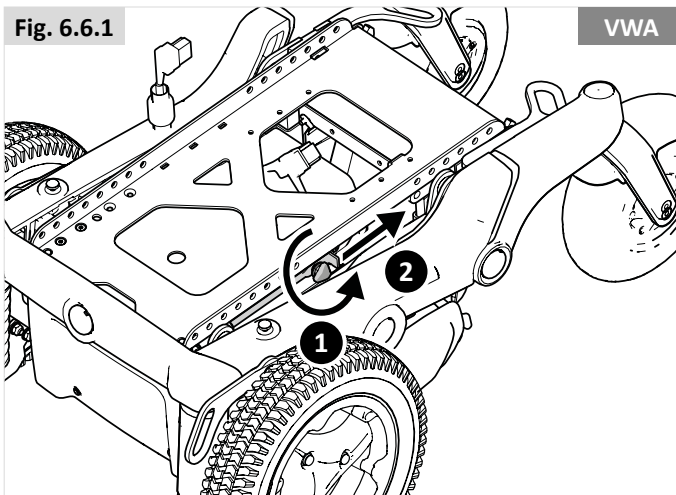
- Stap 1: maak de twee schroeven van de hendel onder het midden van het zittingframe los (deze verbinden het zittingframe met de interface van de zitmodule); stap 2: ontkoppel de hendel (Fig. 6.6.1 - 6.6.2).
- Duw het frame van de zitting achterwaarts (Fig. 6.3).
- Controleer, voordat u het frame loslaat, of de zitting via de vergrendeling is vergrendeld (fig. 6.7 voorzijde - fig. 6.8 achterzijde)
- Til de deksel van de accubehuizing eraf, (Fig. 6.4 - B).
- Maak de twee Anderson penstekkers van iedere accu los (Fig. 6.5).

Om de accu's weer aan te sluiten, volgt u de bovenstaande procedure in omgekeerde volgorde.

WAARSCHUWING:

Door het verwijderen van de accu's kan het zwaartekrachtspunt wijzigen. Het kan gebeuren dat de rolstoel achterover kantelt doordat het gewicht van de accu's ontbreekt. Sunrise adviseert:

- iets achter de stoel te zetten om de situatie veilig te stellen. Bijvoorbeeld een stoel, kruk of iets dergelijks.
- Probeer eerst de accu een klein stukje op te tillen om te zien wat er gebeurt wanneer u de accu weghaalt.



7.0 Transport

7.1 Vervoer van de rolstoel in een auto

Verplaatsing in en uit het voertuig

GEVAAR!

- Controleer of het voertuig over de juiste hulpmiddelen beschikt om een passagier in een rolstoel te vervoeren. Controleer tevens of de methode om in en uit het voertuig te komen, geschikt zijn voor uw type rolstoel. De vloer van het voertuig moet sterk genoeg zijn om het gecombineerde gewicht van de rolstoel, de persoon die in de stoel zit en de accessoires te dragen.
- Om de rolstoel in het voertuig te zetten, gebruikt u een oprijplaat (of liftinstallatie) die geschikt is om het totale gewicht van de rolstoel (inclusief persoon) te dragen.
- De rolstoel moet in voorwaartse richting worden vastgezet. Deze rolstoel is goedgekeurd voor gebruik in auto's en voldoet aan de vereisten van transport in voorwaartse richting en frontale botsingen. De rolstoel is niet getest voor andere posities in een voertuig (Fig. 7.1).

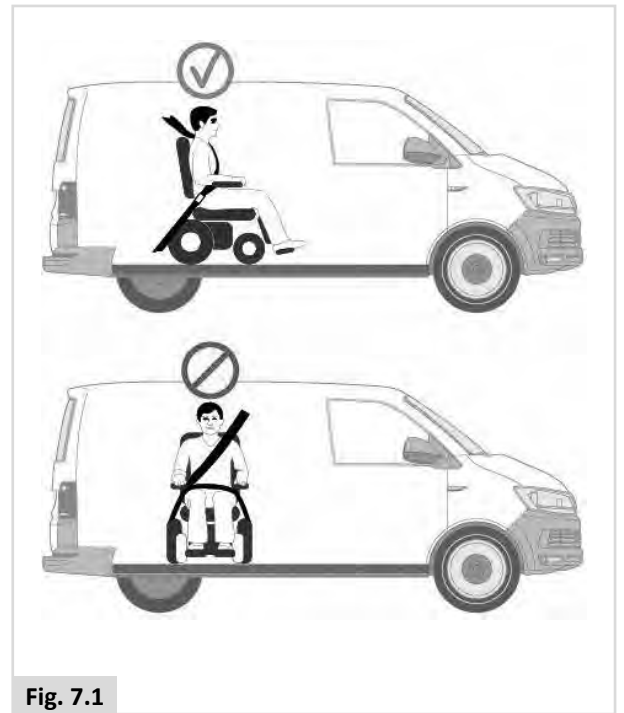


Fig. 7.1

OPGELET!

- Rondom de rolstoel dient voldoende ruimte te zijn om de spanbanden en veiligheidsgordels te bevestigen en de rolstoel goed en gemakkelijk vast te zetten en los te maken.
- Het gemak waarmee een rolstoel in een auto kan worden geplaatst en hierin kan worden gemanoeuvreed, wordt in aanzienlijke mate bepaald door de maat en actieradius van de rolstoel; het is doorgaans gemakkelijker kleinere rolstoelen en rolstoelen met een kleinere draaicirkel in een auto te zetten en in voorwaartse positie te plaatsen.

Veiligstellen van een rolstoel door middel van een bevestigingssysteem met spanbanden

Deze rolstoel heeft de crashtest met goed gevolg doorstaan in overeenstemming met: ISO 7176-19:2008, waarbij een representatief bevestigingssysteem werd gebruikt.

- Vastgezet met een 6-puntsbevestigingssysteem (2 aan de voorzijde, 4 aan de achterzijde, Fig. 7.2) dat voldoet aan:
 - i. ISO 10542 (internationaal) of
 - ii. SAE J2249 (VS).

OPMERKING: Rolstoel vastgezet met een 6-puntsbevestigingssysteem; geschikt voor een totaal gewicht van de rolstoel (inclusief opties) in overeenstemming met de WTORS1)-voorschriften van de fabrikant.

Verklaring van de gebruikte terminologie:

1) WTORS: *Wheelchair Tie-down Occupant Restraint System* (Veiligheidssysteem voor de rolstoel en de gebruiker)

⚠ GEVAAR!

- De rolstoel kan uitsluitend worden vastgezet via de verankeringspunten op het rolstoelframe (Fig. 7.3).
- De verankeringspunten (2 aan de voorzijde, 2 aan de achterzijde), worden aangegeven met het verankeringsymbool (Fig. 7.2). Bevestig eerst de voorste banden, daarna de achterste. Trek de banden aan om de rolstoel vast te zetten. De rolstoel mag niet worden vastgezet aan de accessoires (draagarmen, armsteunen, antitipbeugels, etc.).
- Er mag niets worden gewijzigd aan of vervangen van de constructieve elementen of delen van het frame, of aan de verankeringspunten/bevestigingspunten op de rolstoel voor vervoer in een auto, zonder voorafgaand overleg met de fabrikant.
- Wanneer er geen bevestigingssysteem aanwezig is en er niemand in de rolstoel wordt vervoerd, moet de rolstoel tijdens de reis op de juiste wijze worden opgeborgen en vastgezet in de bagageruimte.

Fig. 7.2

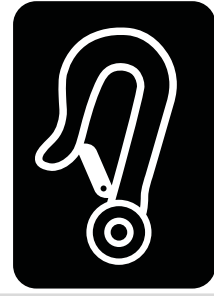
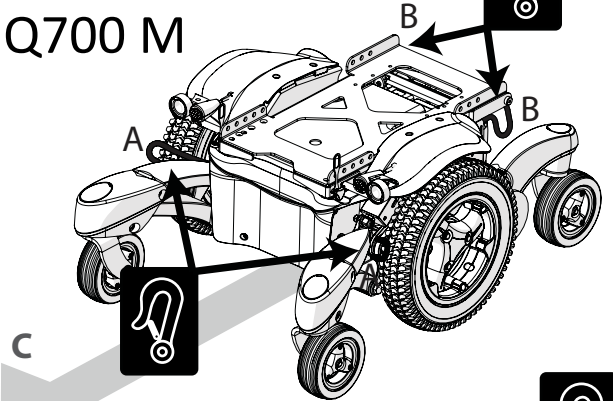
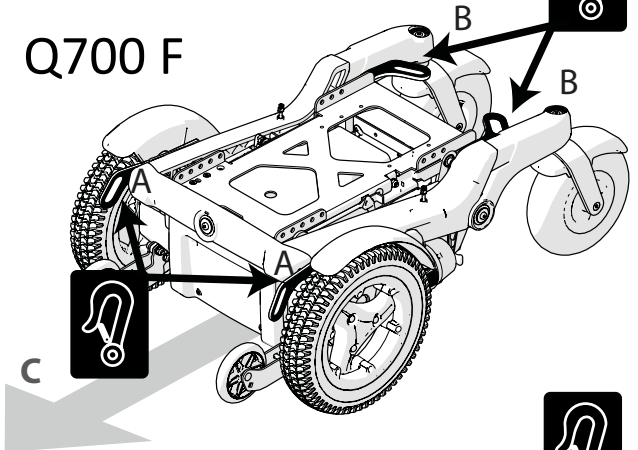


Fig. 7.3

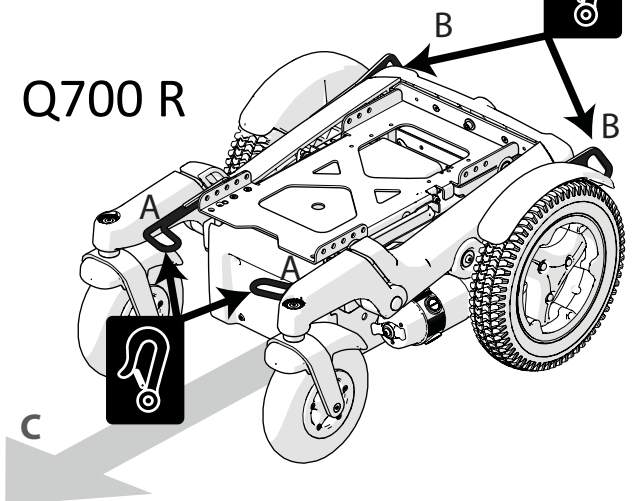
Q700 M



Q700 F



Q700 R



- A** Verankeringspunten voorzijde.
- B** Verankeringspunten achterzijde.
- C** Rijrichting.

7.2 De rolstoel als passagiersstoel

Een in een voertuig vastgezette rolstoel biedt niet dezelfde veiligheid als een normale stoel en veiligheidssysteem in dat voertuig. Sunrise Medical adviseert dat de rolstoelgebruiker, waar mogelijk, gebruik maakt van de stoelen en de daarbij behorende veiligheidsgordels van het voertuig. Sunrise Medical erkent dat het niet altijd praktisch is om een rolstoelgebruiker over te brengen naar een gewone stoel in het voertuig. Wanneer de gebruiker vervoerd moet worden in de rolstoel, moet onderstaand advies worden opgevolgd:

⚠ GEVAAR!

- De veiligheid van de rolstoelgebruiker tijdens het transport hangt af van de nauwkeurigheid waarmee de verankeringsbanden worden bevestigd. De persoon/ personen die de verankering tot stand brengt/brengen, moet(en) op juiste wijze zijn geïnstrueerd en getraind.
- Verwijder, waar mogelijk, alle hulpmiddelen zoals krukken, losse kussens en werkbladen en berg deze veilig op.
 - i. Verwijderd en afzonderlijk in het voertuig, of
 - ii. veilig vastgemaakt aan de rolstoel, met energie-absorberend materiaal tussen de tafel en de gebruiker.
- Bij het vervoeren van de rolstoel met gebruiker mogen de beweegbare/comfort beensteunen niet in verhoogde stand staan.
- Indien van toepassing: Een gekantelde rugleuning moet in rechte positie worden gezet.
- Indien van toepassing: De hoog/laag verstelling moeten in de laagste positie staan.
- Indien van toepassing: De handremmen moeten goed worden vastgezet.

Instructies voor veiligheidsgordels

⚠ GEVAAR!

- Gebruik een 3-punts veiligheidsgordel om de persoon in de rolstoel veilig te stellen.
- Zowel de heupgordel als de veiligheidsgordel voor het bovenlichaam moet worden gebruikt om de rolstoelgebruiker goed in de rolstoel te laten zitten. Hierdoor wordt het risico verkleind dat hoofd en borst in botsing komen met onderdelen van het voertuig.
- Gordels moeten op de juiste framebuizen worden bevestigd en moeten niet van het lichaam worden afgehouden door rolstoelonderdelen (zoals de armsteunen of de wielen) (Fig. 7.4).
- Gebruik een goed geplaatste hoofdsteen tijdens transport in een rolstoel.
- Lichaamsondersteunende gordels (zoals heupgordels) mogen niet worden gebruikt als veiligheidsgordel voor een rolstoelgebruiker, tenzij deze voldoen aan de normen zoals gespecificeerd in ISO 7176-19:2008 of SAE J2249.

Het aanbrengen van de veiligheidsgordel

⚠ GEVAAR!

- De heupgordel moet laag over de voorzijde van het bekken worden gebruikt zodanig dat de hoek van de heupgordel zich binnen de horizontale voorkeurszone van 30 tot 75 graden bevindt.
- Hoe groter de hoek binnen deze begrenzing, hoe beter, maar de hoek mag nooit groter zijn dan 75 graden (Fig. 7.5).
 - i. De bovenlichaamgordel moet over de schouder en diagonaal over de borst worden gedragen, zoals op de afbeelding weergegeven, (Fig. 7.5). De gordels moeten zo strak mogelijk worden gebruikt, maar moeten altijd comfortabel zijn voor de gebruiker.
- Veiligheidsriemen mogen niet gedraaid zitten tijdens gebruik.
- Bij het aanbrengen van de veiligheidsgordel moet er op worden gelet dat de gesp van de gordel zodanig wordt geplaatst dat de ontgrendelingsknop tijdens een botsing niet in contact komt met rolstoelonderdelen.

Gebruiker met een gebruikersgewicht < 22 kg.

Wanneer de gebruiker die wordt vervoerd een kind is dat minder dan 22kg weegt en het betrokken voertuig minder dan acht (8) inzittenden heeft, wordt het aanbevolen dat het kind wordt overgeplaatst naar een kinderzitje met veiligheidsgordels dat voldoet aan de UN-ECE R44 regelgeving.

Dit type gordelsysteem biedt een doelmatiger gordelsysteem dan het conventionele 3-punts gordelsysteem. Daarbij bieden sommige kinderzitjes ook extra ondersteunende elementen waardoor de houding van het kind wanneer het zit, beter wordt ondersteund. In sommige omstandigheden kunnen de ouders of zorgverleners overwegen om het kind in de rolstoel te laten zitten tijdens transport, als de rolstoelinrichting het kind veel lichaamsondersteuning en comfort biedt.

In dergelijke omstandigheden adviseren we een risicobeoordeling te laten uitvoeren door uw medische deskundige of andere relevante personen die over de vereiste kennis beschikken.

Fig. 7.4

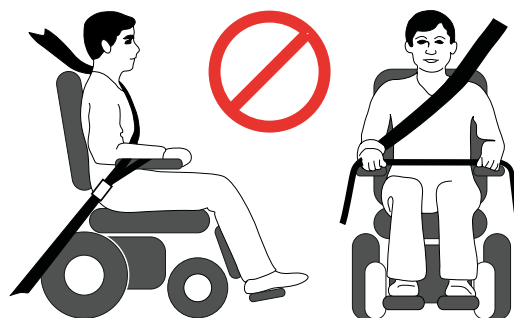
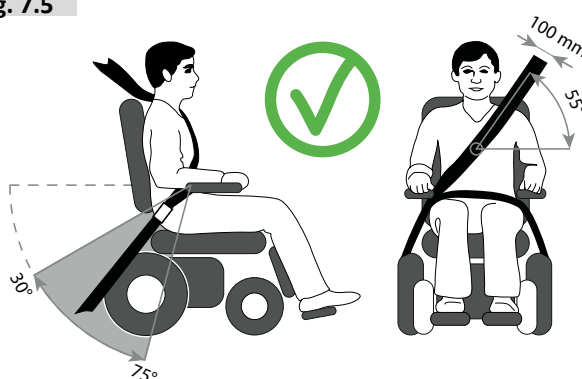


Fig. 7.5



7.3 Speciale vereisten ten aanzien van transport

Gebruik van uw rolstoel in de trein.

Neem voordat u op reis gaat, contact op met de treinmaatschappij. Zij kunnen u informatie verschaffen over speciale eisen/aanwijzingen. We adviseren u het volgende te controleren:

- Is er een speciale en geschikte 'rolstoelruimte' in de trein voor rolstoelgebruikers (met voldoende ruimte om te kunnen manoeuvreren)?
- Is er op het perron een speciale of aangewezen 'rolstoelruimte' voor rolstoelgebruikers (met voldoende ruimte om te kunnen manoeuvreren)?
- Zijn er geschikte middelen (bijv. een rijplaat) beschikbaar om in de treinwagon en de speciale 'rolstoelruimte' te komen?
- Is het middel om in de trein te komen, toereikend voor het totale gewicht van de rolstoel en de gebruiker?
- Verzeker u ervan dat de helling van dit toegangsmiddel niet groter is dan de dynamische veilige helling. (Zie hoofdstuk 10)
- Obstakels of drempels mogen niet hoger zijn dan de maximale stoephoogte die uw rolstoel kan overwinnen. (Zie hoofdstuk 10)

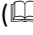
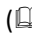


De meeste treinexploitanten zullen u assisteren mits u vooraf afspraken hebt gemaakt. We adviseren u uw gebruikershandleiding bij de hand te hebben wanneer u uw reis plant en contact met de treinexploitant opneemt.


WAARSCHUWING!

- Als u op een boot of in een trein rijdt, zorg er dan voor dat u een rijprofiel gebruikt zonder de GYRO te activeren, indien dit als optie op de rolstoel geïnstalleerd. De voortdurende beweging van een boot of trein verstoort het GYRO-systeem en de rij-kenmerken van uw rolstoel.

5.0 Transport van de rolstoel als bagage.

De delen van de rolstoel die gemakkelijk losgemaakt kunnen worden, moeten voor transport van de rolstoel worden verwijderd. Berg deze onderdelen goed op. Bv.

- Verwijder de zitting ( Zitsysteem).
- Verwijder de beensteunen ( Zitsysteem).
- Verwijder de armsteunen ( Zitsysteem).
- Vouw de rugleuning naar beneden ( Zitsysteem).

- Zorg ervoor dat onderdelen die los kunnen raken, goed vastgemaakt zijn aan uw rolstoel. Of verpak ze afzonderlijk met naamstickers, zodat ze tijdens het laden en lossen niet verloren gaan.
- De rolstoel mag over de weg, per spoor, over zee of door de lucht worden vervoerd en de accu's mogen worden vervoerd conform de IATA regelgeving.
- Neem voordat u op reis gaat contact op met de maatschappij die het transport verzorgt. De reisorganisatie kan u informatie verschaffen over speciale eisen/aanwijzingen.
- Informatie over de afmetingen en het gewicht van de rolstoel vindt u hoofdstuk 10.
- Informatie over de accu's in uw rolstoel vindt u in hoofdstuk 6.
- Zorg ervoor dat onderdelen die los kunnen raken, goed vastgemaakt zijn aan uw rolstoel. Of verpak ze afzonderlijk met naamstickers, zodat ze tijdens het laden en lossen niet verloren gaan.
- Neem deze gebruikershandleiding, de handleiding voor het zitsysteem (& Zitsysteem) en de gebruikershandleiding voor de bediening (& Bediening) mee. Het vervoersbedrijf zal de volgende informatie willen inzien:
 - Het duwen van de rolstoel (hoofdstuk 5.8).
 - Vergrendelen/ontgrendelen van de bediening:  Bediening..
 - Hoe de accu's te ontkoppelen (hoofdstuk 6.7).
 - Hoe de aandrijving te ontkoppelen (hoofdstuk 5.8).
- De rolstoel vervoeren, (Hoofdstuk 7.0).
- De instructies voor middellange en langdurige opslag vindt u in hoofdstuk 8.5).

7.4 Algemene waarschuwingen voor transport

WAARSCHUWING!

- Er mag niets worden gewijzigd aan of vervangen van de constructieve elementen of delen van het frame, of aan de verankeringspunten/bevestigingspunten op de rolstoel voor vervoer in een auto, zonder voorafgaand overleg met Sunrise Medical,
- Indien de rolstoel, op welke wijze dan ook, betrokken is geweest bij een botsing terwijl de rolstoel zich in de auto bevond, moet de rolstoel, voordat hij weer wordt gebruikt, door een door Sunrise Medical erkende dealer/onderhoudsmonteur worden geïnspecteerd.

8.0 Onderhoud en reiniging

De levensduur van de rolstoel is afhankelijk van goed onderhoud. Voor informatie over specifieke instellingen, onderhoud en reparaties kunt u contact opnemen met uw erkende Sunrise dealer. Zorg ervoor dat u altijd het model, het productiejaar en het identificatienummer noemt wanneer u contact opneemt met uw dealer. (Deze informatie staat vermeld op het identificatieplaatje op de rolstoel.)

OPGELET!

De rolstoel moet jaarlijks, of bij intensief gebruik halfjaarlijks, door een erkende Sunrise dealer worden onderhouden. Neem voor een overzicht van erkende dealers in uw omgeving contact op met de Sunrise Medical klantenservice.

Op de binnenzijde van de voorpagina van dit boekje staan de contactgegevens van uw lokale Sunrise Medical servicecentrum vermeld.

Op de achterkant staan nationale en internationale websites vermeld.

8.1 Onderhoud

WAARSCHUWING!

- Losse bevestigingen moeten opnieuw volgens de installatie-instructies worden vastgedraaid. Gebruik (tenzij anders vermeld) de onderstaande tabel voor de benodigde draaikracht.

| Vereiste draaikrachten (torques) | |
|----------------------------------|--------|
| M4 | 3,0 Nm |
| M5 | 5,9 Nm |
| M6 | 10 Nm |
| M8 | 25 Nm |
| M10 | 48 Nm |
| M12 | 84 Nm |

Opmerking: Het is noodzakelijk om hierbij een momentsleutel te gebruiken.

- Borstgordels dienen te worden vervangen bij de eerste slijtageverschijnselen en bij beschadiging.
- Wanneer er een los of kapot onderdeel wordt aangetroffen, gebruik de rolstoel dan niet langer en neem contact op met uw erkende Sunrise Medical leverancier voor vervanging.
- Controleer of alle Velcro klittenbandbeveiligingen goed vastgeplakt zitten nadat ze op elkaar zijn gedrukt.
- Zorg ervoor dat vuil, zoals pluizen, haar en dergelijke van het klittenband wordt verwijderd. Hierdoor kan de plakkracht van het klittenband afnemen.

WAARSCHUWING!

- Als u twijfelt over de functievereisten van uw rolstoel, kunt u contact opnemen met uw erkende Sunrise Medical dealer.
- Controleer altijd eerst of de rolstoel correct functioneert nadat er onderhoud of reparaties hebben plaatsgevonden.
- Bij vervanging van bevestigingsmateriaal moet altijd van exact dezelfde producten gebruikgemaakt worden en moeten dezelfde lengte, de trekkracht en materialen worden gebruikt.
- Zorg ervoor dat bij vervanging van zelfborgende moeren, of moeren/bouten bevestigd met een schroefdraadborgingsmiddel, weer een gepast schroefdraadborgingsmiddel op de bevestiging wordt aangebracht.

Dagelijkse controle

Controleer dagelijks, voor gebruik van de rolstoel, de onderdelen zoals vermeld op de checklist in hoofdstuk 5.1.

Wekelijkse controles

Controleer wekelijks, voor gebruik van de rolstoel, de onderdelen zoals hieronder vermeld.

Controleer de parkeerrem:

Deze test moet worden uitgevoerd op een vlakke vloer met minstens één meter vrije ruimte rond de stoel.

- Schakel het bedieningssysteem in.
- Controleer of de accuspanningsmeter aanstaat, of langzaam knippert, na één seconde.
- Duw de joystick langzaam naar voren totdat u hoort dat de parkeerremmen functioneren.
- De stoel kan wellicht in beweging komen.
- Laat de joystick meteen los. U moet binnen enkele seconden horen hoe de parkeerrem in werking treedt (klik).
- Herhaal de test nog drie maal, waarbij u de joystick langzaam naar achteren, links en rechts duwt.

Controleer de aansluitingen & kabels:

- Controleer of alle verbindingstukken goed zijn aangesloten.
- Controleer alle kabels en verbindingstukken op mogelijke beschadigingen.

Controleer de bediening:

- Controleer het dunne rubberen omhulsel aan de onderkant van de joystickhendel op schade en scheuren. Controleer dit alleen visueel, kom er niet aan.
- Controleer of alle onderdelen van het bedieningssysteem goed vastgemaakt zijn. Draai veiligheidsschroeven niet overmatig vast aan.

Controleer de bediening:

- Schakel de handbediening in - Gaan de lampjes knipperen? Dit duidt op een storing in het elektrische circuit. Zie hoofdstuk 10 voor eenvoudige probleemoplossing.
- Probeer alle elektrische accessoires, zoals verlichting en richtingaanwijzers (indien aanwezig) te controleren of deze correct functioneren.
- Zet de zitting in verhoogde positie en controleer of de rolstoel nu overgaat in "kruipmode" wanneer u rijdt.
- Probeer alle rijprofielen om te controleren of de rolstoel hetzelfde functioneert als voor het onderhoud of de reparatie.



WAARSCHUWING!

- Als u twijfelt over de functievereisten van uw rolstoel, kunt u contact opnemen met uw erkende Sunrise Medical dealer.
- Controleer altijd eerst of de rolstoel correct functioneert nadat er onderhoud of reparaties hebben plaatsgevonden.
- Een volledige controle, veiligheidscontrole en servicebeurt dient uitgevoerd te worden door een erkende Sunrise Medical dealer.
- Bij vervanging van bevestigingsmateriaal moet altijd van exact dezelfde producten gebruikgemaakt worden en moeten dezelfde lengte, de trekkracht en materialen worden gebruikt.
- Zorg ervoor dat bij vervanging van zelfborgende moeren, of moeren/bouten bevestigd met een schroefdraadborgingsmiddel, weer een gepast schroefdraadborgingsmiddel op de bevestiging wordt aangebracht.
- Controleer of alle Velcro klittenbandbeveiligingen goed vastgeplakt zitten nadat ze op elkaar zijn gedrukt.
- Zorg ervoor dat vuil, zoals pluizen, haar en dergelijke van het klittenband wordt verwijderd. Hierdoor kan de plakkracht van het klittenband afnemen.

Maandelijkse controle:

Voer maandelijks, voor gebruik van de rolstoel, de controle uit zoals hieronder wordt vermeld.

- Alle bevestigingen maandelijks te controleren op slijtage, zoals losse bouten of kapotte onderdelen.
- Controleer maandelijks alle banden op rafels, gescheurde naden of andere aanwijzingen van overmatige slijtage. Gebruik de borstgordel niet indien slijtage wordt geconstateerd.

8.2 Onderhoud banden en bandenspanning

8.2.1 Bandendruk

OPGELET!

Als uw rolstoel is uitgerust met luchtbanden, is het van belang dat u geregeld de bandenspanning controleert en de banden op slijtage controleert.

In hoofdstuk 8.3 staan de maximale bandenspanningen vermeld. Kijk bij twijfel naar de markering op de zijkant van de rolstoelband voor richtlijnen.

OPMERKING: Het is belangrijk dat de aandrijfwielen als paar op gelijke spanning zijn. Dit geldt ook voor de achterwielen. De meegeleverde pomp biedt de meest veilige methode om de banden op te pompen. De bandenspanning kan worden gecontroleerd met een luchtdrukmeter in een garage of benzinstation.

GEVAAR!

- Pomp de banden niet harder op dan de maximaal toegestane druk.
- Gebruik altijd de meegeleverde pomp.

8.2.2 Slijtage banden

Wanneer de banden op slijtage worden gecontroleerd, kijk dan vooral naar schuurplekken, inkepingen en een verminderd profiel. De banden moeten worden vervangen als het profiel niet meer op het hele oppervlakte van het wiel zichtbaar is. (Fig. 8.1).

Fig. 8.1



8.2.3 Reparatie aandrijfwiel

Om het wiel/de band te verwijderen:

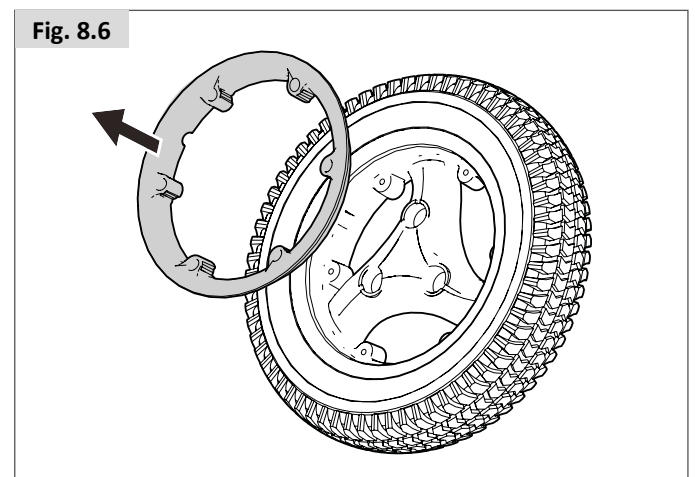
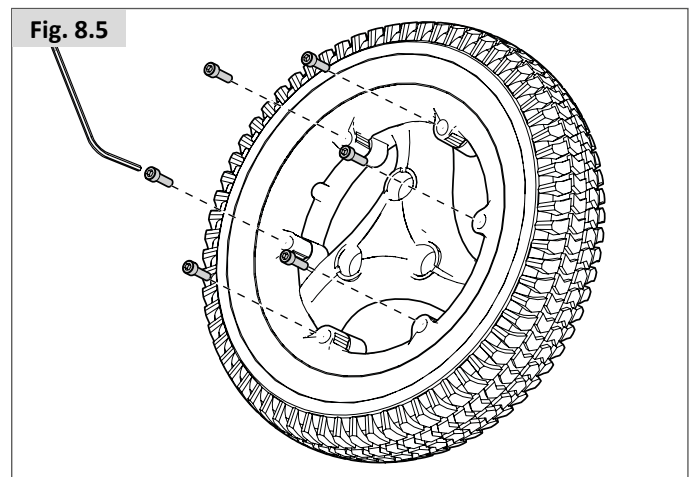
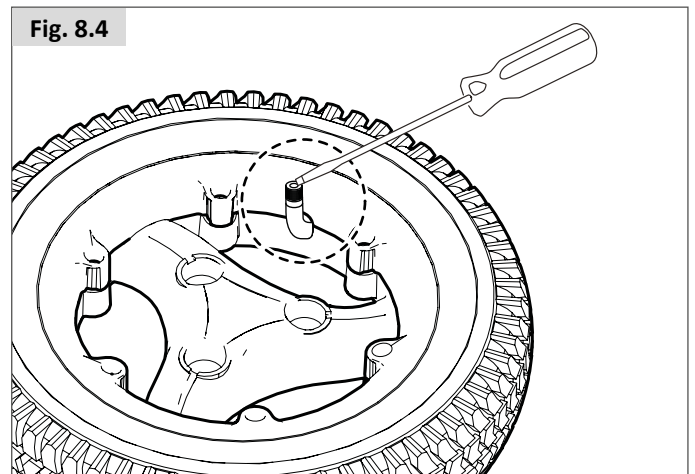
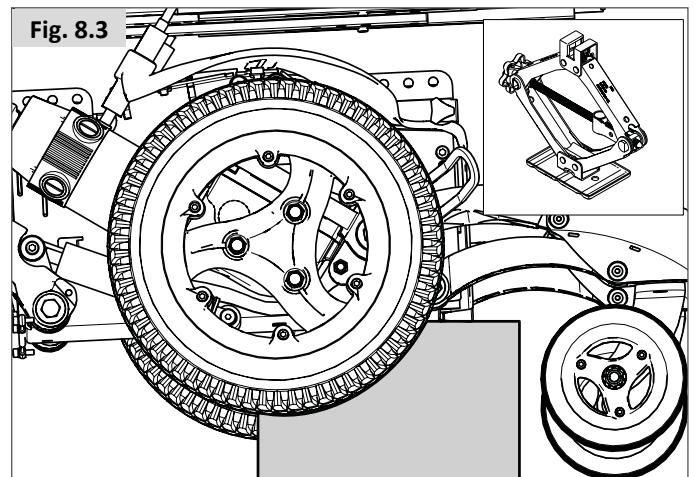
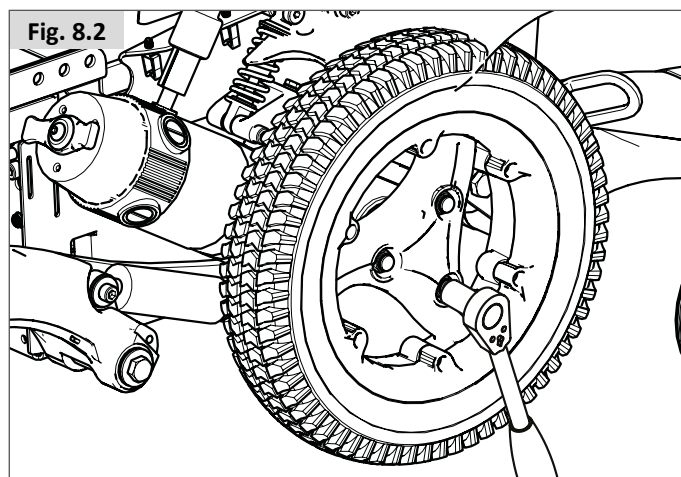
Zie hieronder en op de volgende bladzijde voor foto's.

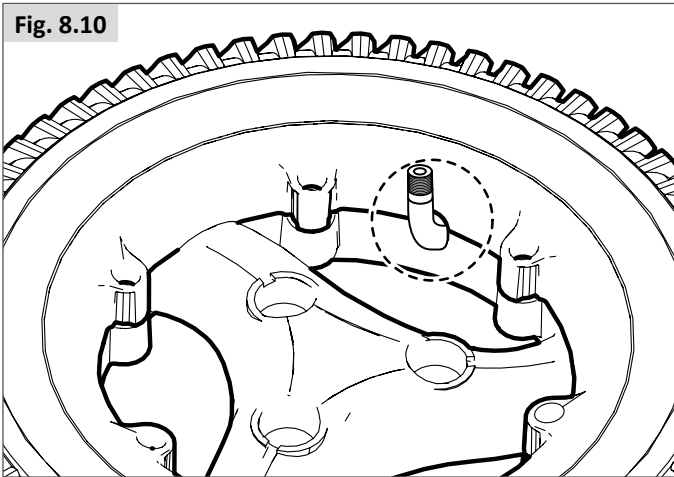
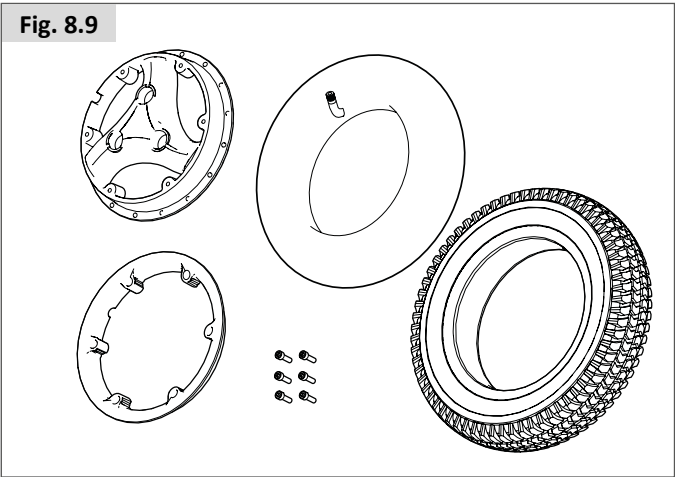
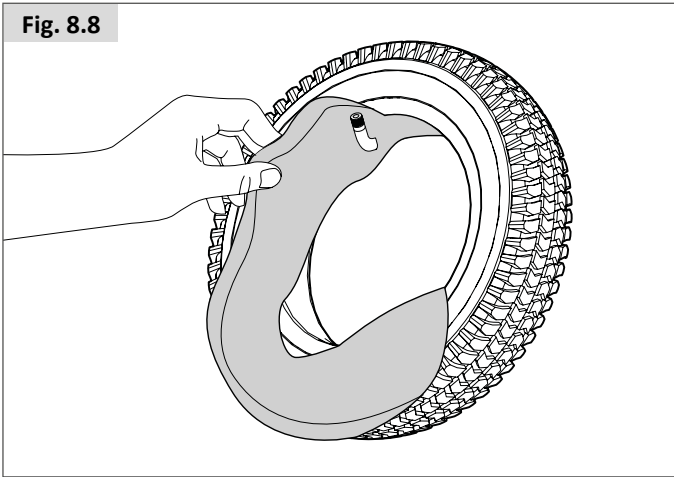
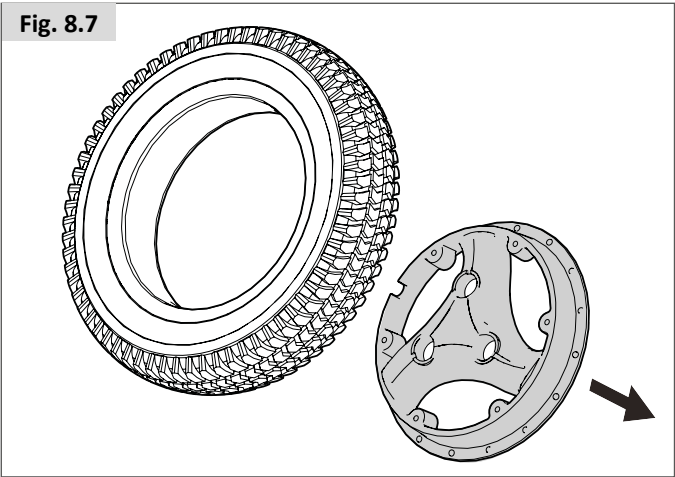
- Verwijder de gekleurde ring.
- Gebruik een 16 mm dop om de slotbouten los te maken (Fig. 8.2).
- Til de basis/accubehuizing op en ondersteun deze met blokken, (Fig. 8.3).
- Verwijder de 3 bouten en trek het wiel van de naaf af.
- Verwijder de ventieldop en laat de lucht ontsnappen door rustig met een kleine schroevendraaier op het ventiel te drukken, (Fig. 8.4).
- Er bevinden zich 6 bouten in de velg die losgedraaid/vastgedraaid moeten worden in de volgorde zoals getoond, (Fig. 8.5).
- Gebruik een 5,0mm inbussleutel om deze moeren los/vast te draaien. (Fig. 8.5) .
- Til de binnenring van het wiel af (Fig. 8.6).
- Til de band en de binnenband uit de buitenste rand, (Fig. 8.7).
- Houd de binnenband voorzichtig vast, achter het ventiel.
- Haal de binnenband voorzichtig uit de band, (Fig. 8.8).
- Controleer of alle onderdelen schoon zijn voordat u alles weer in elkaar zet, (Fig. 8.9).

Terugplaatsen

- Plaats de binnenband in de band en laat de band op de buitenring rusten.
- Leg daarbij het ventiel op de daarvoor bestemde uitsparing in de rand.
- Daarbij moet het ventiel naar buiten wijzen.
- Plaats de binnenring over de band, binnenband en buitenring.
- Plaats daarbij de uitsparing voor het ventiel over het ventiel. De uitsparingen in de binnen- en buitenring en het ventiel moeten overeenkomen, (Fig. 8.10).
- Controleer of de moeren in lijn zijn op beide ringen.
- Draai de moeren vast in de eerder getoonde volgorde; let op dat u daarbij niet in de binnenband steekt (Fig. 8.5).
- Pomp de band nu langzaam op tot de druk die is aangegeven in hoofdstuk 8.1.1.
- Plaats het wiel terug op de motoras en zet het goed vast met de kopbouten, met een draaikracht van 34 Nm.

Voor massieve banden geldt dezelfde volgorde, maar kunt u de informatie over de binnenband en het ventiel overslaan.





8.2.4 Verwijderen van de zwenkwieien (M-basis) (Fig. 8.11).

- Gebruik een moer- of dopsleutel 17,0 mm om de asbout los te maken.
- Verwijder de nyloc moer.

Verwijderen van de zwenkwieien (V/A-basis) (Fig. 8.12).

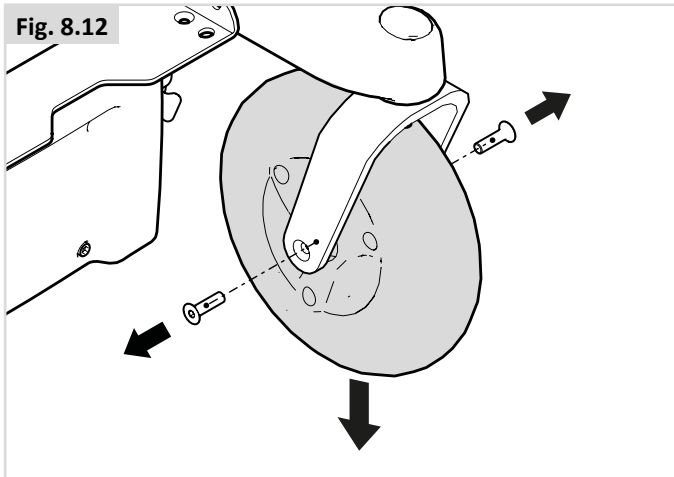
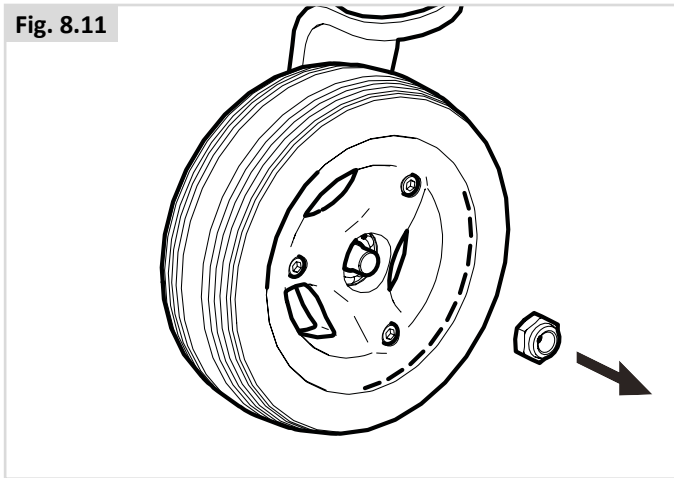
- Gebruik een 13 mm moersleutel en een 5 mm inbussleutel om de schroeven los te maken.
- Verwijder beide schroeven


Opnieuw plaatsen:

Duw de bout nooit met grote kracht door de ring bij het monteren. Beweeg het wiel zachtjes heen en weer tot de bout er doorheen gaat en draai dan vast met 14Nm.

⚠ WAARSCHUWING!

Gebruik altijd nieuwe nyloc bouten bij het herplaatsen van het wiel.



| Onderhouds- en inspectieschema | Dagelijks* | Wekelijks | Maandelijks | Jaarlijks |
|--|------------|-----------|-------------|-----------|
| Dagelijkse controle zoals beschreven in hoofdstuk 5.1 | * | | | |
| Wekelijkse controle zoals beschreven in hoofdstuk 8.1 | | * | | |
| Reinig bekleding van rolstoel  Zitsysteem | | * | | |
| Een volledige controle, veiligheidscontrole en servicebeurt dient uitgevoerd te worden door een erkende Sunrise Medical dealer. | | | | * |

8.3 Onderhoud van wielen en banden

Om ervoor te zorgen dat uw rolstoel goed functioneert, is het van essentieel belang dat de banden op de juiste spanning worden gehouden. Op de zijkant van de band staat de juiste bandenspanning vermeld.

Te zachte banden hebben een ongunstig effect op de prestaties van de rolstoel. Het rijden met de rolstoel kost dan meer energie, waardoor er meer van de accu's wordt gevraagd. Ook slijten zachte banden sneller.

Wanneer de banden op slijtage worden gecontroleerd, kijk dan vooral naar schuurplekken, inkepingen en een verminderd profiel. De banden moeten worden vervangen wanneer het profiel niet meer op het hele oppervlakte van het wiel te zien is.

| | | | |
|------------------|----------------------------|------------------|-------------|
| Zwenkwiel | | Max. bandendruk. | |
| 6" | Q700 M | Massieve wielen | |
| 9" (2.80/2.50-4) | Q700 F Q700 R | Max. 2,4 bar | 35 PSI |
| 10" (3.00-4) | Q700 F Q700 R | Max. 2,4 bar | 35 PSI |
| Aandrijf wiel | | Max. bandendruk. | |
| 14" (3.00-8) | Q700 M Q700 F Q700 R | Max. 3,5 bar | Max. 50 PSI |

GEVAAR!

- Pomp de banden niet harder op dan de maximaal toegestane druk.
- Gebruik nooit de luchtpomp bij een benzinestation of garage.
- De banden moeten volledig leeg zijn voordat ze gerepareerd kunnen worden.

8.4 Onderhoud van verlichting:

GEVAAR!

Het onderhoud van verlichting en knipperlichten is een taak waarbij de veiligheid in geding kan komen. Als er sprake is van een storing in de verlichting en/of richtingaanwijzers van uw rolstoel, neem dan contact op met uw erkende Sunrise Medical dealer.

Alle verlichting en richtingaanwijzers bestaan uit de modernste LED-verlichting met laag energieverbruik; het zijn units die geen onderhoud vereisen. Er worden geen gloeilampen gebruikt. De units zijn zeer betrouwbaar; hierdoor is het onwaarschijnlijk dat ze, bij normaal gebruik, storing vertonen of het niet meer doen. Als een lamp het niet meer doet (mogelijk als gevolg van een botsing), moet de hele lichtunit die beschadigd is, worden vervangen. De afzonderlijke LED-lampjes kunnen niet worden vervangen.

OPGELET!

- Het wordt aanbevolen uitsluitend door Sunrise Medical erkende onderdelen te gebruiken.
- Alle verlichtingscircuits zijn elektronisch beveiligd. Wanneer er kortsluiting ontstaat, wordt de stroomtoevoer tot een veilig niveau beperkt. Wanneer de storing is opgeheven, wordt het systeem automatisch hersteld door middel van een "reset".

8.5 Reiniging en desinfectie

De rolstoel moet een maal per week met een vochtige, maar niet natte, doek worden afgenomen. Stof en vuil dat zich rond de motoren heeft verzameld, moet worden weggeblazen of weggeveegd.

OPGELET!

Zorg ervoor dat u alle onderdelen van uw rolstoel afdroogt als deze nat of vochtig zijn geworden door het schoonmaken, of wanneer de rolstoel is gebruikt in een natte of vochtige atmosfeer.

GEVAAR!

Als de rolstoel door meerdere personen wordt gebruikt, is het belangrijk dat de stoel grondig wordt gereinigd om kruisbesmetting te voorkomen.

Hygiënemaatregelen bij hergebruik:

Voordat de rolstoel door een nieuwe gebruiker in gebruik genomen wordt, moet de stoel zorgvuldig worden voorbereid. Alle oppervlaktes waarmee de gebruiker in aanraking komt, moeten behandeld worden met een desinfecterende spray. Gebruik voor het reinigen een geschikt desinfectiemiddel voor snelle, op alcohol gebaseerde ontsmetting van medische producten en medische hulpmiddelen.

Houd u aan de gebruiksaanwijzing van de fabrikant van het desinfecterende middel.

OPGELET!

- Gebruik geen oplosmiddelen, bleekmiddelen, schuurmiddelen, synthetische wasmiddelen, was-poetsmiddel of spuitbussen.
- Ontsmettingsmiddelen kunnen verdund worden volgens instructie van de fabrikant.
- Spoel de oppervlaktes daarna goed af met schoon water en droog ze zorgvuldig.

WAARSCHUWING!

- Lees altijd eerst het etiket van professionele reinigingsmiddelen of schoonmaakmiddelen voor huishoudelijk gebruik.
- Volg de gebruiksaanwijzing nauwkeurig op.

Reiniging van de bediening: Bediening

Wanneer het bedieningssysteem van uw rolstoel vuil is geworden, kan het worden schoongemaakt met een vochtige doek met daarop een verdund desinfecterend middel.

GEVAAR!

Belangrijk: Als de rolstoel door meerdere personen wordt gebruikt, dienen de instructies betreffende reiniging en desinfectie nauwkeurig te worden opgevolgd om kruisbesmetting te voorkomen.

8.6 Middellange tot lange opslag:

Wanneer u uw rolstoel voor langere tijd (langer dan één week) niet gebruikt, volg dan deze eenvoudige aanwijzingen op:

- Laad de rolstoel volledig op (minstens 24 uur).
- Koppel de oplader af.
- Ontkoppel de accu's.

WAARSCHUWING!

Zet uw rolstoel nooit voor langere tijd:

- buiten,
- in de volle zon (plastic onderdelen kunnen verkleuren),
- in de nabijheid van een warmtebron,
- in een vochtige omgeving,
- in een koude omgeving,
- met de accu's/accubehuizing aangekoppeld (zelfs als de controller of bediening is uitgeschakeld).

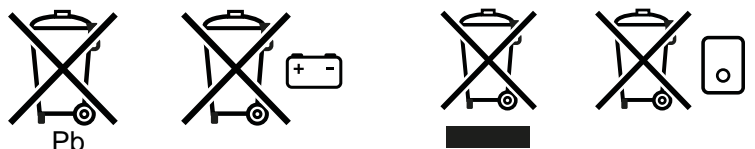
Door alle bovengenoemde dingen te vermijden, wordt het ontladen van de 'deep cycle' accu geminimaliseerd, waardoor de levensduur van de accu wordt verlengd.

Wanneer u van plan bent de rolstoel weer te gebruiken, sluit dan de accu's/accubehuizing weer aan en laadt de rolstoel gedurende minstens 24 uur voor gebruik weer op.

9.0 Verwijdering

Het hieronder vermelde symbool betekent dat uw product aan het einde van zijn levensduur in overeenstemming met lokale wet- en regelgeving afgevoerd dient te worden, gescheiden van huishoudelijk afval. Wanneer dit product niet langer gebruikt kan worden, breng het dan naar het door de plaatselijke overheid aangewezen plaatselijke afvalverzamelpunt. Gescheiden afvalverwerking en recycling van uw product ondersteunt het behoud van grondstoffen en er wordt gegarandeerd dat het op een milieuvriendelijke wijze wordt gerecycled.

Controleer, voordat u in overeenstemming met bovenstaande uw product voor afvalverwerking aanbiedt, of u de rechtmatige eigenaar bent van het product.



Hieronder staan de materialen omschreven zoals deze worden gebruikt in de rolstoel, met betrekking tot de verwerking tot afval en recycling van de rolstoel en zijn verpakking.

Mogelijk kent uw land of woonplaats specifieke wetgeving; neem deze wet- of regelgeving in overweging, wanneer u de rolstoel naar de afvalverwerking wilt brengen. (Mogelijk moet de rolstoel gereinigd of gedesinfecteerd worden alvorens deze naar de afvalverwerking wordt gebracht.)

Aluminium: Zwenkwielvork, wielen, zijkant van het chassis.

Staal: Bevestigingspunten, quick release assen

Plastic: Hendels, buisstoppen, zwenkwielen, wiel/banden.


Verpakking: Plastic zakken gemaakt van zacht polyethyleen, karton

Afvalverwerking of recycling dient plaats te vinden via een erkende agent, afvalverwerking met vergunningen. Als alternatief kunt u uw handbike ook terugbrengen naar uw dealer voor verdere afvalverwerking.



10.0 Mogelijke problemen


Als de rolstoel niet naar behoren functioneert, controleer dan de volgende punten:

- Controleer of de accu's opgeladen zijn.
- Zet de rolstoel uit en dan weer aan.
- Controleer of alle accustekkers goed op de juiste plaats vastzitten.
- Controleer of de vrijloophendel in de positie RIJDEN staat.
- Controleer de positie van de snelheidsregelaar.
- Controleer of het bedieningssysteem niet vergrendeld is  Bediening

Als het probleem dan nog niet is opgelost:

-  Bediening:

11.0 Technische specificaties: Toepasselijke normen/standaarden

 Dit product voldoet aan de regelgeving en richtlijnen voor medische hulpmiddelen en is voorzien van een CE-symbool. Het product voldoet aan de onderstaande eisen en standaarden. Deze zijn door onafhankelijke instituties gecontroleerd.

| Standaard | Definitie / beschrijving | Gewicht testdummy | |
|----------------------------|---|-------------------|------------|
| | | | |
| EU-richtlijn 93/42 EEC | Toepasselijk zoals vermeld in Bijlage 1 | | |
| EN 12182: 2012 Klasse B | Ondersteunende producten voor mensen met een handicap - Algemene vereisten en testmethodes | SEDEO Pro | SEDEO Ergo |
| | Q700 M Q700 F Q700 R | 160 kg | 160 kg |
| EN 12184: 2014 Klasse B | Elektrisch aangedreven rolstoelen, scootmobielen en hun opladers - Vereisten en testmethodes | SEDEO Pro | Sedeo Ergo |
| | Q700 M Q700 F Q700 R | 160 kg | 160 kg |
| ISO 7176-8: 2014 | Vereisten en testmethodes voor botskrachten, statische krachten, en materiaalmoetheid | NVT | NVT |
| ISO 7176-9: 2009 | Klimaattesten voor elektrisch aangedreven rolstoelen | NVT | NVT |
| ISO 7176-14: 2008 | Vereisten en testmethodes voor bedieningssytemen voor elektrisch aangedreven rolstoelen | NVT | NVT |
| ISO 7176-16: 2012 | Vereisten voor ontstekingsweerstand van beklede delen | NVT | NVT |
| ISO 7176-19: 2008 | Rolstoelen - Deel 19: Mobiliteitshulpmiddelen op wielen voor gebruik als stoelen in gemotoriseerde voertuigen: De Q-serie voldoet aan de crashtestvereisten zoals omschreven in ISO 7176-19 | SEDEO Pro | SEDEO Ergo |
| | Q700 M Q700 F Q700 R | 104 kg | 104 kg |

| | | | |
|--|---------------|----------|--|
| Model | Q700 serie | | |
| Type/configuratie Midwielaandrijving | Q700 M | | |
| Max. gebruikersgewicht | 160 kg | 300 lbs. | |
| EN12184 klasse: | B | | |

| Beschrijving | Waarden metrieke stelsel | | Waarden imperiale stelsel & alternatief | | | |
|---|-------------------------------|------------|---|-------------|---------------------|---------------------|
| | Minimum | Maximum | Minimum | Maximum | | |
| Totale lengte (inclusief beensteunen) | | | | | | |
| Midwielaandrijving | | | | | | |
| Q700 M Sedeo Ergo | Centrale beensteun | 1070 mm | 1100 mm | 41,1" | 43,3" | |
| Q700 M Sedeo Pro | Wegzwenkbare beensteunen | 1190 mm | 1190 mm | 46,8" | 46,8" | |
| Totale breedte | | | | | | |
| Q700 M | Aandrijfwielen 14" | 622 mm | 660 mm | 24,5" | 26,0" | |
| Totaal gewicht | | | | | | |
| Basisconfiguratie, geen accu's | | | | | | |
| Q700 M Sedeo Ergo | 160 kg | 180 kg | 353 lbs. | 397 lbs. | | |
| Q700 M Sedeo Pro | 145 kg | 175 kg | 320 lbs. | 386 lbs. | | |
| Invloed totale gewicht | | | | | | |
| Accu's | | | | | | |
| 50 Ah AGM (C20) (Set van 2) | 27 kg | | + 59,5 lbs. | | | |
| 60 Ah AGM (C20) (Set van 2) | 43 kg | | + 94,8 lbs. | | | |
| 80 Ah AGM (C20) (Set van 2) | 50,2 kg | | + 110,7 lbs. | | | |
| Transportgewicht van het zwaarste onderdeel | 23,5 kg | | 51,8 lbs. | | | |
| Dynamische stabiliteit: Maximale veilige helling | | | | | | |
| Q700 M | Midwielaandrijving | 10° | | 17,6% | | |
| Min. remafstand bij maximale snelheid Q700 M | 3100 mm | | 122,0" | | | |
| Statische stabiliteit | | | | | | |
| Q700 M Sedeo Ergo | Naar beneden/omhoog/zijwaarts | 8°/19°/14° | 25°/25°/21° | 14%/34%/25% | 47%/47%/38% | |
| Q700 M Sedeo Pro | Naar beneden/omhoog/zijwaarts | 8°/19°/14° | 25°/25°/21° | 14%/34%/25% | 47%/47%/38% | |
| Actieradius | | | | | | |
| <i>NB: De onderstaande factoren hebben een negatieve invloed op de actieradius: Obstakels, ruig terrein, rijden op hellingen, blootstelling aan temperaturen onder het vriespunt en veelvuldig gebruik van de elektrisch aangedreven zitopties.</i> | | | | | | |
| 6 km/u | 80 Ah accu's | Q700 M | 32,5 km | 40,0 km | 32 km (20,2 mijl) | 39,5 km (24,9 mijl) |
| 8 km/u | 80 Ah accu's | Q700 M | 30,0 km | 37,5 km | 29,7 km (18,6 mijl) | 37 km (23,3 mijl) |
| 10 km/u | 80 Ah accu's | Q700 M | 27,5 km | 35,0 km | 27 km (17,1 mijl) | 34,7 km (21,7 mijl) |
| 12,5 km/u | 80 Ah accu's | Q700 M | 25,0 km | 32,5 km | 24,8 km (15,5 mijl) | 32 km (20,2 mijl) |
| Klimvermogen bij obstakels | | | | | | |
| Q700 M | Midwielaandrijving | 75 mm | 100 mm | 2,95" | 3,94" | |
| Max. voorwaartse snelheid | | | | | | |
| Q700 M | Midwielaandrijving | 6 km/u | 12,5 km/u | 6,4 km/u | 12,4 km/u | |
| Draaicirkel | | | | | | |
| Q700 M | Midwielaandrijving | 560 mm | 630 mm | 22,0" | 24,8" | |
| Draairuimte / achterwaartse breedte | | | | | | |
| Q700 M | Midwielaandrijving | 1100 mm | | 43,0" | | |
| Ruimte vanaf de grond | | | | | | |
| Q700 M | Midwielaandrijving | | 90 mm | | 3,5" | |

| Beschrijving | Waarden metrieke stelsel | | Waarden imperiale stelsel & alternatief | |
|---------------------------------------|--|---------|--|---------|
| | Minimum | Maximum | Minimum | Maximum |
| Maximale afmetingen accu (l x b x h). | 260 x 172 x 210 mm | | 10,2 x 6,8 x 8,3" | |
| Batterijvermogen | 50 Ah / 60 Ah / 80 Ah | | 50 Ah / 60 Ah / 80 Ah | |
| Maximaal toegestane laadvoltage | 24 V | | 24 V | |
| Maximaal toegestane laadstroom | 12 A (RMS) | | 12 A (RMS) | |
| Type aansluiting: | 📖 Gebruikershandleiding van de bediening | | 📖 Gebruikershandleiding van de bediening | |
| Isolatie | Klasse 2 dubbel geïsoleerd | | Klasse 2 dubbel geïsoleerd | |

| | | | |
|---|---------------|----------|--|
| Model | Q700 serie | | |
| Type/configuratie Voorwielaandrijving | Q700 F | | |
| Max. gebruikersgewicht | 160 kg | 353 lbs. | |
| EN12184 klasse: | B | | |

| Beschrijving | Waarden metrieke stelsel | | Waarden imperiale stelsel & alternatief | |
|--|--------------------------|-------------|---|---------------------|
| | Minimum | Maximum | Minimum | Maximum |
| Totale lengte (inclusief beensteunen) Voorwielaandrijving | | | | |
| Q700 F Sedeo Ergo | 1280 mm | 1340 mm | 50,39" | 52,8" |
| Q700 F Sedeo Pro | 1280 mm | 1340 mm | 50,39" | 52,8" |
| Totale breedte | | | | |
| Q700 F Aandrijfwielen 14" | 640 mm | 640 mm | 25,2" | 25,2" |
| Totaal gewicht Basisconfiguratie, geen accu's | | | | |
| Q700 F Sedeo Ergo | 133 kg | 154 kg | 293 lbs. | 339 lbs. |
| Q700 F Sedeo Pro | 134 kg | 155 kg | 295 lbs. | 342 lbs. |
| Invloed totale gewicht Accu's | | | | |
| 50 Ah AGM (C20) (Set van 2) | 27 kg | | + 59,5 lbs. | |
| 60 Ah AGM (C20) (Set van 2) | 43 kg | | + 94,8 lbs. | |
| 80 Ah AGM (C20) (Set van 2) | 48,4 kg | | + 106,7 lbs. | |
| Transportgewicht van het zwaarste onderdeel | 23,5 kg | | 51,8 lbs. | |
| Dynamische stabiliteit: Maximale veilige helling Q700 F Midwielaandrijving | 8° | | 14,05% | |
| Min. remafstand bij maximale snelheid Q700 F | 2900 mm | | 114,2" | |
| Statische stabiliteit | | | | |
| Q700 F Sedeo Ergo Naar beneden/omhoog/zijwaarts | 9°/9°/9° | 15°/15°/12° | 15,8%/15,8%/15,8% | 26%/26%/21,2% |
| Q700 F Sedeo Pro Naar beneden/omhoog/zijwaarts | 9°/9°/9° | 15°/15°/12° | 15,8%/15,8%/15,8% | 26%/26%/21,2% |
| Actieradius <i>NB: De onderstaande factoren hebben een negatieve invloed op de actieradius: Obstakels, ruig terrein, rijden op hellingen, blootstelling aan temperaturen onder het vriespunt en veelvuldig gebruik van de elektrisch aangedreven zitopties.</i> | | | | |
| 6 km/u 80 Ah accu's Q700 F | 32,5 km | 40,0 km | 32 km (20,2 mijl) | 39,5 km (24,9 mijl) |
| 8 km/u 80 Ah accu's Q700 F | 30,0 km | 37,5 km | 29,7 km (18,6 mijl) | 37 km (23,3 mijl) |
| 10 km/u 80 Ah accu's Q700 F | 27,5 km | 35,0 km | 27 km (17,1 mijl) | 34,7 km (21,7 mijl) |
| 12,5 km/u 80 Ah accu's Q700 F | 25,0 km | 32,5 km | 24,8 km (15,5 mijl) | 32 km (20,2 mijl) |
| Klimvermogen bij obstakels Q700 F Voorwielaandrijving | 70 mm | | 2,75" | |
| Max. voorwaartse snelheid Q700 F Voorwielaandrijving | 6 km/u | 12,5 km/u | 6,4 km/u | 12,4 km/u |
| Draaicirkel Q700 F Voorwielaandrijving | 735 mm | 735 mm | 28,9" | 28,9" |
| Draairuimte / achterwaartse breedte Q700 F Voorwielaandrijving | 1240 mm | | 48,8" | |
| Ruimte vanaf de grond Q700 F Voorwielaandrijving | | 60 mm | | 2,36" |

| Beschrijving | Waarden metrieke stelsel | | Waarden imperiale stelsel & alternatief | |
|---------------------------------------|--|--------------------|--|-------------------|
| | Minimum | Maximum | Minimum | Maximum |
| Maximale afmetingen accu (l x b x h). | | 260 x 172 x 210 mm | | 10,2 x 6,8 x 8,3" |
| Batterijvermogen | 50 Ah / 60 Ah / 80 Ah | | 50 Ah / 60 Ah / 80 Ah | |
| Maximaal toegestane laadvoltage | | 24 V | | 24 V |
| Maximaal toegestane laadstroom | | 12 A (RMS) | | 12 A (RMS) |
| Type aansluiting: | 📖 Gebruikershandleiding van de bediening | | 📖 Gebruikershandleiding van de bediening | |
| Isolatie | Klasse 2 dubbel geïsoleerd | | Klasse 2 dubbel geïsoleerd | |

| | | | |
|---|---------------|----------|--|
| Model | Q700 serie | | |
| Type/configuratie Achterwielaandrijving | Q700 R | | |
| Max. gebruikersgewicht | 160 kg | 353 lbs. | |
| EN12184 klasse: | B | | |

| Beschrijving | Waarden metrieke stelsel | | Waarden imperiale stelsel & alternatief | |
|--|--------------------------|-------------|---|---------------------|
| | Minimum | Maximum | Minimum | Maximum |
| Totale lengte (inclusief beensteunen) Achterwielaandrijving | | | | |
| Q700 R Sedeo Ergo Centrale beensteun | 1290 mm | 1370 mm | 50,8" | 53,9" |
| Q700 R Sedeo Pro Wegzwenkbare beensteunen | 1100 mm | 1180 mm | 43,7" | 46,4" |
| Totale breedte | | | | |
| Q700 R Aandrijfwielen 14" | 640 mm | 640 mm | 25,2" | 25,2" |
| Totaal gewicht Basisconfiguratie, geen accu's | | | | |
| Q700 R Sedeo Ergo | 133 kg | 154 kg | 293 lbs. | 339 lbs. |
| Q700 R Sedeo Pro | 134 kg | 155 kg | 295 lbs. | 342 lbs. |
| Invloed totale gewicht Accu's | | | | |
| 50 Ah AGM (C20) (Set van 2) | 27 kg | | + 59,5 lbs. | |
| 60 Ah AGM (C20) (Set van 2) | 43 kg | | + 94,8 lbs. | |
| 80 Ah AGM (C20) (Set van 2) | 48,4 kg | | + 106,7 lbs. | |
| Transportgewicht van het zwaarste onderdeel | 24,2 kg | | 53,4 lbs. | |
| Dynamische stabiliteit: Maximale veilige helling Q700 R Achterwielaandrijving | 10° | | 17,6% | |
| Min. remafstand bij maximale snelheid Q700 R | 2100 mm | | 82,7" | |
| Statische stabiliteit | | | | |
| Q700 R Sedeo Ergo Naar beneden/omhoog/zijwaarts | 9°/9°/9° | 13°/15°/13° | 15,8%/15,8%/15,8% | 23%/26%/23% |
| Q700 R Sedeo Pro Naar beneden/omhoog/zijwaarts | 9°/9°/9° | 13°/15°/13° | 15,8%/15,8%/15,8% | 23%/26%/23% |
| Actieradius <i>NB: De onderstaande factoren hebben een negatieve invloed op de actieradius: Obstakels, ruig terrein, rijden op hellingen, blootstelling aan temperaturen onder het vriespunt en veelvuldig gebruik van de elektrisch aangedreven zitopties.</i> | | | | |
| 6 km/u 80 Ah accu's Q700 R | 32,5 km | 40,0 km | 32 km (20,2 mijl) | 39,5 km (24,9 mijl) |
| 8 km/u 80 Ah accu's Q700 R | 30,0 km | 37,5 km | 29,7 km (18,6 mijl) | 37 km (23,3 mijl) |
| 10 km/u 80 Ah accu's Q700 R | 27,5 km | 35,0 km | 27 km (17,1 mijl) | 34,7 km (21,7 mijl) |
| 12,5 km/u 80 Ah accu's Q700 R | 25,0 km | 32,5 km | 24,8 km (15,5 mijl) | 32 km (20,2 mijl) |
| Klimvermogen bij obstakels Achterwielaandrijving Q700 R | 80 mm | | 3,14" | |
| Klimcapaciteit met stoepenklimmer betreffende obstakels Achterwielaandrijving Q700 R | 100 mm | | 3,9" | |
| Max. voorwaartse snelheid | | | | |
| Q700 R Achterwielaandrijving | 6 km/u | 12,5 km/u | 6,4 km/u | 12,4 km/u |
| Draaicirkel | | | | |
| Q700 R Achterwielaandrijving | 950 mm | 950 mm | 37,4" | 37,4" |
| Draairuimte / achterwaartse breedte | | | | |
| Q700 R Achterwielaandrijving | 1285 mm | | 50,6" | |
| Ruimte vanaf de grond | | | | |
| Q700 R Achterwielaandrijving | | 65 mm | | 2,55" |

| Beschrijving | Waarden metrieke stelsel | | Waarden imperiale stelsel & alternatief | |
|---------------------------------------|--|--------------------|--|-------------------|
| | Minimum | Maximum | Minimum | Maximum |
| Maximale afmetingen accu (l x b x h). | | 260 x 172 x 210 mm | | 10,2 x 6,8 x 8,3" |
| Batterijvermogen | 50 Ah / 60 Ah / 80 Ah | | 50 Ah / 60 Ah / 80 Ah | |
| Maximaal toegestane laadvoltage | 24 V | | 24 V | |
| Maximaal toegestane laadstroom | 12 A (RMS) | | 12 A (RMS) | |
| Type aansluiting: | 📖 Gebruikershandleiding van de bediening | | 📖 Gebruikershandleiding van de bediening | |
| Isolatie | Klasse 2 dubbel geïsoleerd | | Klasse 2 dubbel geïsoleerd | |

Technische specificaties: Sedeo Ergo zitsysteem
NEDERLANDS

| | Waarden metrieke stelsel | | Waarden imperiale stelsel & alternatief | |
|--|--------------------------|---------|---|---------|
| | Minimum | Maximum | Minimum | Maximum |
| Aanpassing zithoek | | | | |
| Elektrische kantelverstelling met aanpassing zwaartekrachtspunt optioneel | 0° - 30° | | 0° - 30° | |
| Elektrische kantelverstelling met aanpassing zwaartekrachtspunt optioneel | -5° - 25° | | -5° - 25° | |
| Elektrische kantelverstelling met aanpassing zwaartekrachtspunt optioneel | 0° - 50° | | 0° - 50° | |
| Elektrische kantelverstelling met aanpassing zwaartekrachtspunt optioneel | -5° - 45° | | -5° - 45° | |
| Effectieve zitdiepte | 400 mm | 560 mm | 15,7" | 22,0" |
| Effectieve zitbreedte | 400 mm | 560 mm | 15,7" | 22,0" |
| Hoogte zitting tot bodem | | | | |
| Elektrische kantelverstelling & hoog/laag (300 mm) | | | | |
| pos. 1 60 of 80 Ah accu's 0° zithoek | 435 mm | 735 mm | 17,1" | 28,9" |
| pos. 2 60 of 80 Ah accu's 0° zithoek | 455 mm | 755 mm | 17,9" | 29,7" |
| pos. 3 60 of 80 Ah accu's 0° zithoek | 480 mm | 780 mm | 18,9" | 30,7" |
| Afstand armsteun naar zitting | 240 mm | 340 mm | 9,4" | 13,4" |
| Hoek rugleuning | | | | |
| Elektrische biomechanische rughoekverstelling | 90° - 175° | | 90° - 175° | |
| Hoogte rugleuning | 560 mm | 700 mm | 22,0" | 27,6" |
| Hoek beensteun (elektrisch aangedreven in het midden bevestigd) | | | | |
| Elektrisch centrale beensteun | 90° - 180° | | 90° - 180° | |
| Lengte van het onderbeen | | | | |
| Elektrisch centrale beensteun | 340 mm | 520 mm | 13,4" | 20,5" |

Technische specificaties: Zitsysteem SEDEO Pro

| | Waarden metrieke stelsel | | Waarden imperiale stelsel & alternatief | | | |
|--|--------------------------|------------|---|---------|-------|-------|
| | Minimum | Maximum | Minimum | Maximum | | |
| Aanpassing zithoek | | | | | | |
| Elektrische kantelverstelling met aanpassing zwaartekrachtspunt | optioneel | 0° - 30° | 0° - 30° | | | |
| Elektrische kantelverstelling met aanpassing zwaartekrachtspunt | optioneel | -5° - 25° | -5° - 25° | | | |
| Elektrische kantelverstelling met aanpassing zwaartekrachtspunt | optioneel | 0° - 50° | 0° - 50° | | | |
| Elektrische kantelverstelling met aanpassing zwaartekrachtspunt | optioneel | -5° - 45° | -5° - 45° | | | |
| Effectieve zitdiepte | 400 mm | 600 mm | 15,7" | 23,6" | | |
| Effectieve zitbreedte | 380 mm | 560 mm | 15" | 22,0" | | |
| Hoogte zitting tot bodem | | | | | | |
| Vulmodule (geen elektrische kantelverstelling, geen zitlift) | | | | | | |
| pos. 1 | 60 of 80 Ah accu's | 0° zithoek | 415 mm | 16,3" | | |
| pos. 2 | 60 of 80 Ah accu's | 0° zithoek | 440 mm | 17,3" | | |
| pos. 3 | 60 of 80 Ah accu's | 0° zithoek | 465 mm | 18,3" | | |
| pos. 4 | 60 of 80 Ah accu's | 0° zithoek | 490 mm | 19,3" | | |
| Elektrische kantelverstelling & hoog/laag (300 mm) | | | | | | |
| pos. 1 | 60 of 80 Ah accu's | 0° zithoek | 415 mm | 715 mm | 16,3" | 28,1" |
| pos. 2 | 60 of 80 Ah accu's | 0° zithoek | 440 mm | 740 mm | 17,3" | 29,1" |
| pos. 3 | 60 of 80 Ah accu's | 0° zithoek | 465 mm | 765 mm | 18,3" | 30,1" |
| pos. 4 | 60 of 80 Ah accu's | 0° zithoek | 490 mm | 790 mm | 19,3" | 31,1" |
| Hoek rugleuning | | | | | | |
| Mechanisch instelbare rugleuning | | | 90° - 120° | | | |
| Elektrische kantelverstelling | | | 90° - 130° | | | |
| Elektrische biomechanische rughoekverstelling | | | 90° - 150° | | | |
| Hoogte rugleuning (zitplaat naar bovenzijde van kussen van rugleuning) | 530 mm | 720 mm | 20,9" | 28,3" | | |
| Wegklapbare armsteun / uitneembare armsteun | | | | | | |
| Armleggerhoogte (zitplaat naar bovenzijde van armlegger) | 260 mm | 380 mm | 10,2" | 15" | | |
| Breedte armleuning (op zitframe) | -20 mm | +20 mm | -0,8" | +0,8" | | |
| Breedte armlegger (op profiel armleuning) | | | -20 mm | | | |
| Diepte armleuning (op zitframe met korte zittingrail) | | | 250 mm | | | |
| Diepte armlegger (op profiel armleuning) | | | 100 mm | | | |
| Hoek kussen armlegger (verticaal) | | | 0° - 15° | | | |
| Opklapbare, meebewegende armsteun | | | | | | |
| Armleggerhoogte (zitplaat naar bovenzijde van armlegger) | 250 mm | 400 mm | 9,8" | 15,7" | | |
| Breedte armlegger (op profiel armleuning) | | | -20 mm | | | |
| Diepte armlegger (op profiel armleuning) | | | 140 mm | | | |
| Hoek kussen armlegger (verticaal) | | | 0° - 15° | | | |
| Mechanische centrale beensteun | | | | | | |
| Onderbeenlengte (vanaf zitplaat) | 305 mm | 460 mm | 12" | 18,1" | | |
| Kniehoek | | | 70° - 120° | | | |
| Enkelhoek | | | +20° - -40° | | | |
| Elektrische centrale beensteun | | | | | | |
| Onderbeenlengte (vanaf zitplaat) | 360 mm | 540 mm | 14,2" | 21,2" | | |
| Kniehoek | | | 90° - 180° | | | |
| Max lengtecompensatie | | | 260 mm | | | |
| Enkelhoek | | | +35° - -15° | | | |
| Wegzwenkbare beensteunen | | | | | | |
| Onderbeenlengte (vanaf zitplaat) | 350 mm | 510 mm | 13,8" | 20,1" | | |
| Kniehoek | | | 70° | | | |
| Enkelhoek | | | 0° - 180° | | | |
| Mechanische en elektrische wegzwenkbare beensteunen | | | | | | |
| Onderbeenlengte (vanaf zitplaat) | 350 mm | 510 mm | 13,8" | 20,1" | | |
| Kniehoek | | | 0° - 70° | | | |
| Enkelhoek | | | 0° - 180° | | | |
| SEDEO hoofdsteunmontage | | | | | | |
| Bereik hoofdsteunhoogte | | | 170 mm | | | |
| Bereik hoofdsteundiepte | | | 200 mm | | | |
| Hoek hoofdsteun (verticaal) | | | -45° - +45° | | | |
| Breedte hoofdsteun | -20 mm | 20 mm | -0,8" | +0,8" | | |
| Romppelotten | | | | | | |
| Bereik breedte romppelotten | | | 90 mm | | | |
| Bereik hoogte romppelotten | | | 170 mm | | | |
| Bereik diepte romppelotten | | | 45 mm | | | |
| Abductieklos | | | | | | |
| Hoogte abductieklos (van zitplaat naar bovenzijde van kussen) | 170 mm | 250 mm | 6,7" | 9,8" | | |
| Bereik diepte abductieklos | | | 65 mm | | | |
| Bereik hoogte duwstang | | | 140 mm | | | |

12.0 Garantie

DEZE GARANTIE DOET OP GEEN ENKELE WIJZE AFBREUK AAN UW RECHTEN.

Sunrise Medical* biedt haar klanten een garantie op producten, zoals bepaald in de garantievoorwaarden die het onderstaande dekken.

Garantievoorwaarden:

1. Indien een onderdeel of onderdelen van het product binnen 24 maanden gerepareerd of vervangen moet(en) worden als gevolg van een fabricagefout en/of gebrek in het materiaal, wordt het betreffende onderdeel of de betreffende onderdelen kosteloos gerepareerd of vervangen. De garantie geldt slechts voor fabricagefouten.
2. Om de garantie ten uitvoer te brengen, kunt u contact opnemen met de klantenservice van Sunrise Medical met de exacte gegevens over het probleem. Indien u het product gebruikt buiten het gebied dat wordt gedekt door de klantenservice van Sunrise Medical, wordt de reparatie of vervanging uitgevoerd door een ander servicepunt welke door de fabrikant wordt aangewezen. Het product moet worden gerepareerd door een door Sunrise Medical aangewezen servicepunt (dealer).
3. Voor onderdelen die binnen het bereik van deze garantiebepalingen zijn gerepareerd of vervangen, bieden we een garantie in overeenstemming met deze garantievoorwaarden voor de resterende garantieperiode voor het product in overeenstemming met punt 1.
4. Voor originele reserveonderdelen die op kosten van de klant zijn gemonteerd, geldt een garantieperiode van 12 maanden (na montage) in overeenstemming met deze garantiebepalingen.
5. Vorderingen op basis van deze garantie kunnen niet worden gedaan indien een reparatie of vervanging van een product of een onderdeel daarvan noodzakelijk is vanwege de onderstaande redenen:
 - a. Voor normale slijtage, zoals, maar niet beperkt tot de volgende onderdelen, wanneer het product hiermee is uitgerust: accu's, kussens van armlenningen, bekleding, banden, remschoenen, kabelschoenen, etc.
 - b. Bij overbelasting van het product; zie het EC-etiket voor het maximale gebruikersgewicht.
 - c. Het product of onderdeel is niet onderhouden in overeenstemming met de aanbevelingen van de fabrikant, zoals uiteengezet in de gebruikershandleiding en/of de onderhoudsinstructies.
 - d. Er zijn accessoires gebruikt die niet gespecificeerd zijn als originele onderdelen.
 - e. Wanneer het product of onderdeel is beschadigd door verwaarlozing, een ongeluk of oneigenlijk gebruik;
 - f. Er zijn veranderingen/wijzigingen aangebracht aan het product of onderdelen die afwijken van de specificaties van de fabrikant.
 - g. Reparaties zijn uitgevoerd voordat onze Klantenservice is geïnformeerd over de omstandigheden.
6. Deze garantie wordt beheerst door het recht van het land waarin het product van Sunrise Medical werd aangekocht.

* Dit betekent de Sunrise Medical faciliteit waarvan het product werd aangekocht.





- UK = www.SunriseMedical.co.uk
- DE = www.SunriseMedical.de
- FR = www.sunrisemedical.fr
- IT = www.SunriseMedical.it
- NL = www.SunriseMedical.nl
- ES = www.SunriseMedical.es
- PT = www.SunriseMedical.pt
- SE = www.SunriseMedical.se
- NO = www.SunriseMedical.no
- DK = www.SunriseMedical.dk
- CH = www.SunriseMedical.ch
- CZ = www.medicco.cz
- PL = www.Sunrise-Medical.pl
- EU = www.SunriseMedical.eu
- AU = www.sunrisemedical.com.au
- US = www.SunriseMedical.com

