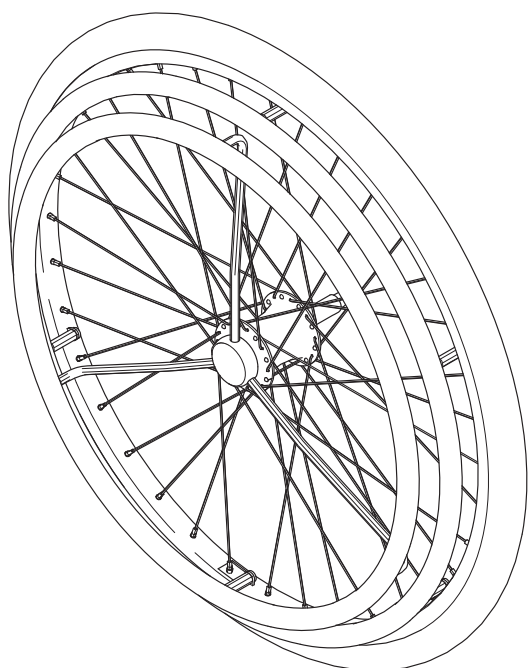


MONTERINGSANVISNING

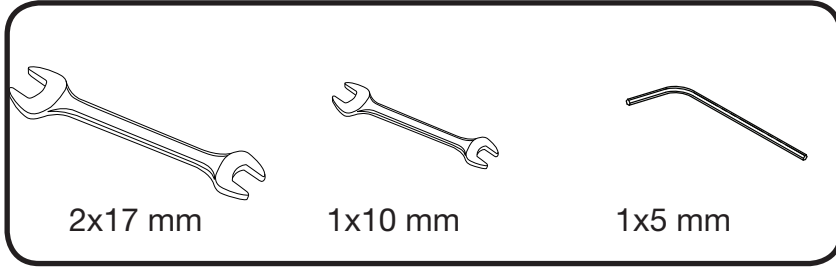
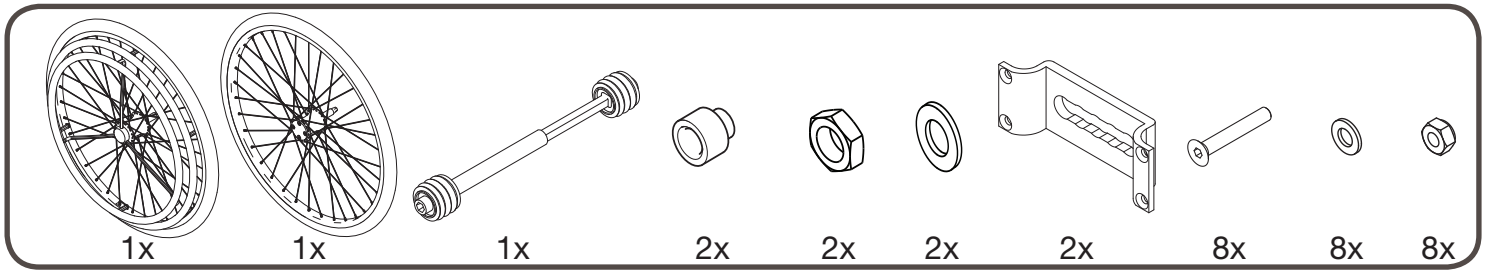
Enhandsdrift Emineo



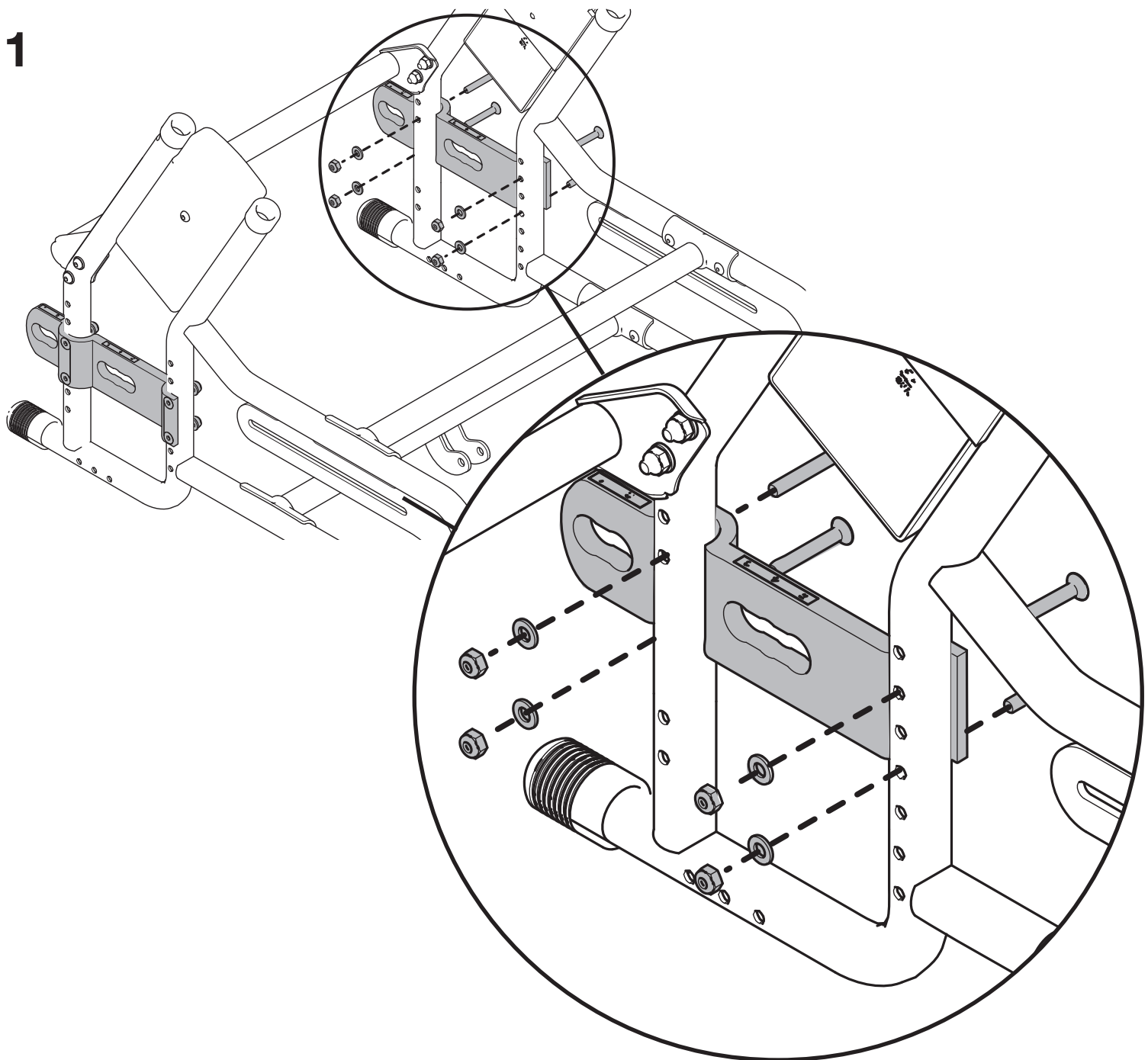
Benämning		Artikelnummer
Enhandsdrift, set sb 39, 42, 45	<input type="checkbox"/>	3007915
Enhandsdrift, set sb 48, 51	<input type="checkbox"/>	3007916
Drivhjul	<input type="checkbox"/>	3007925



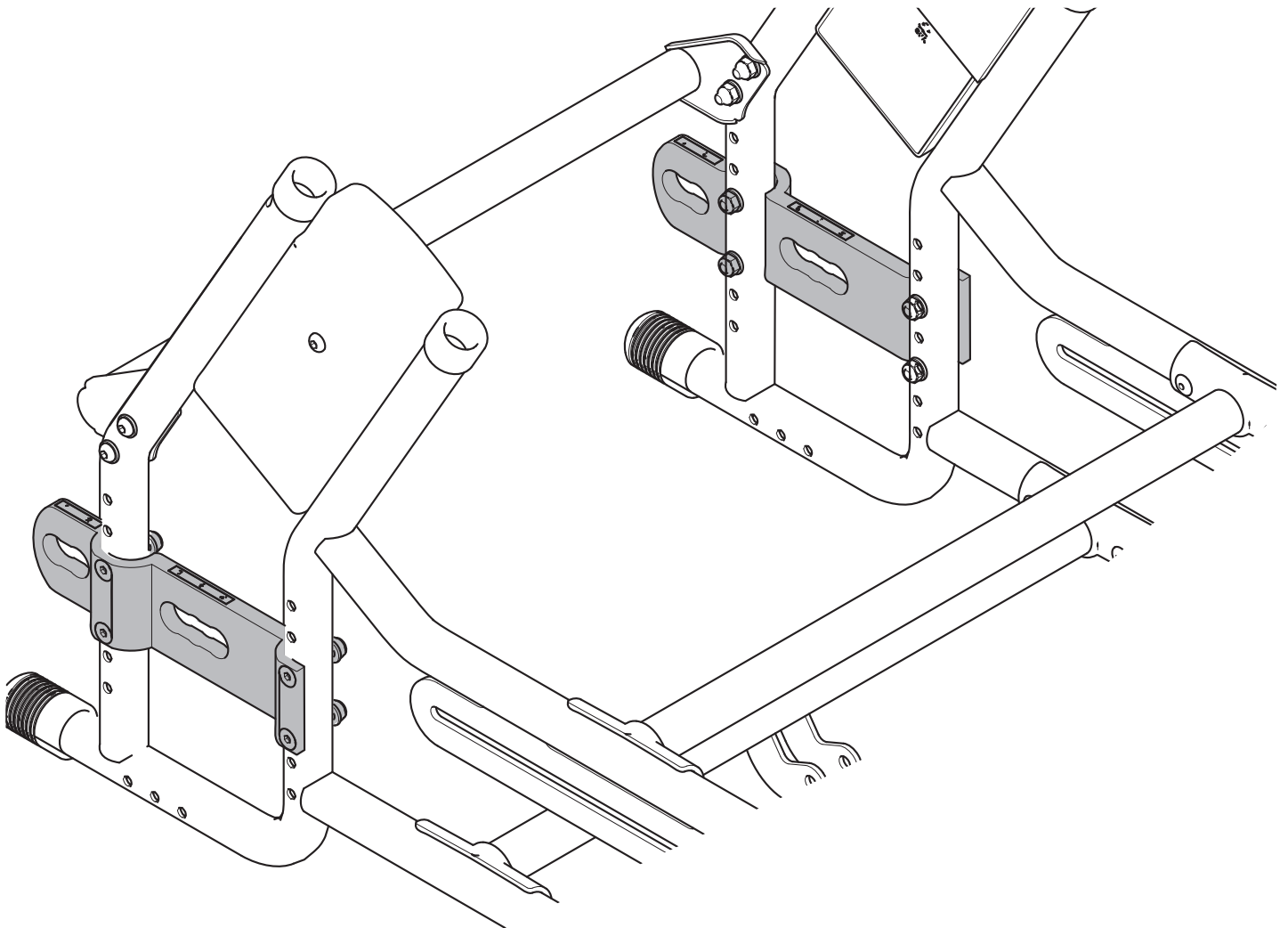
 **Breezy**[®]

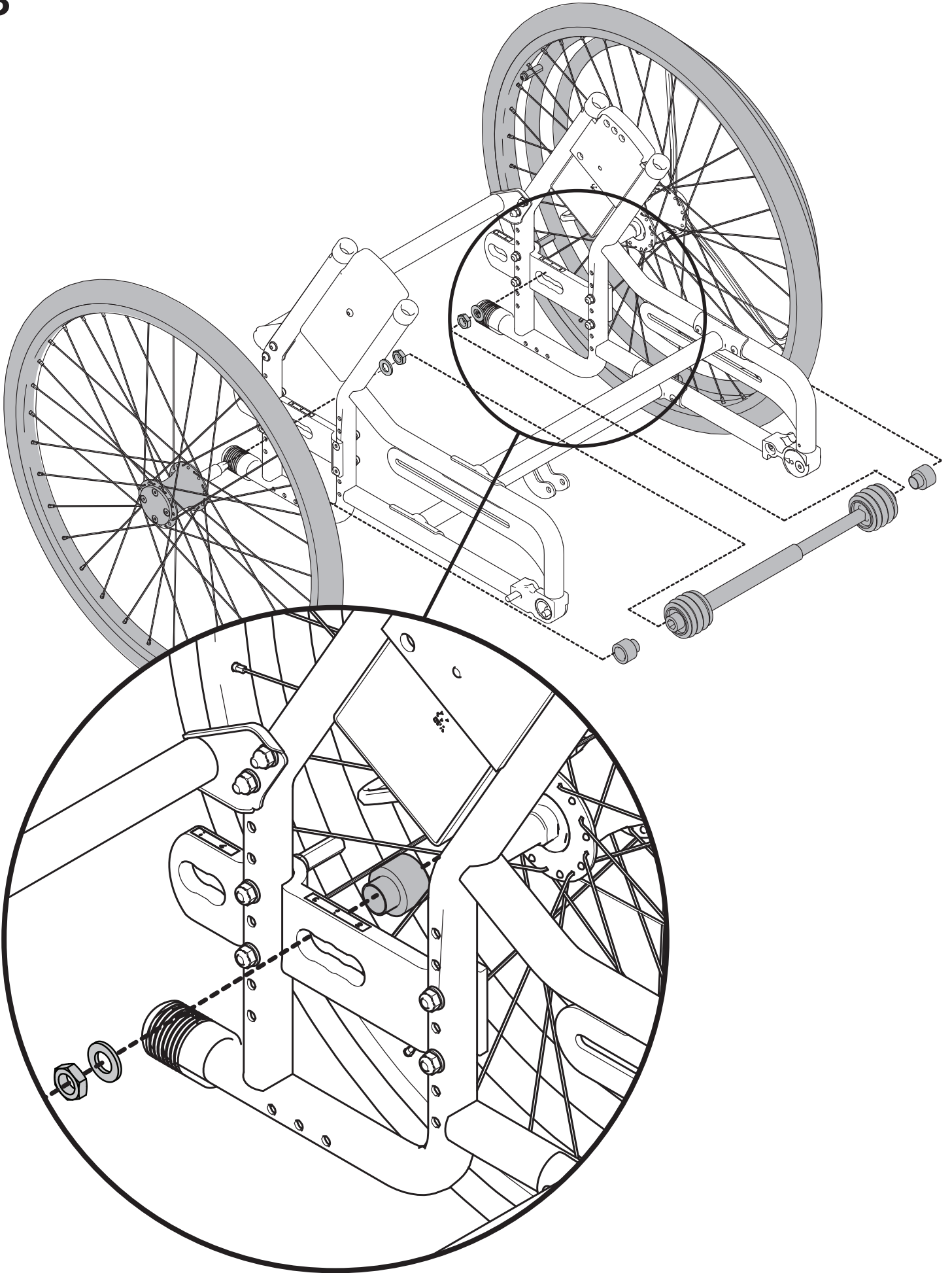


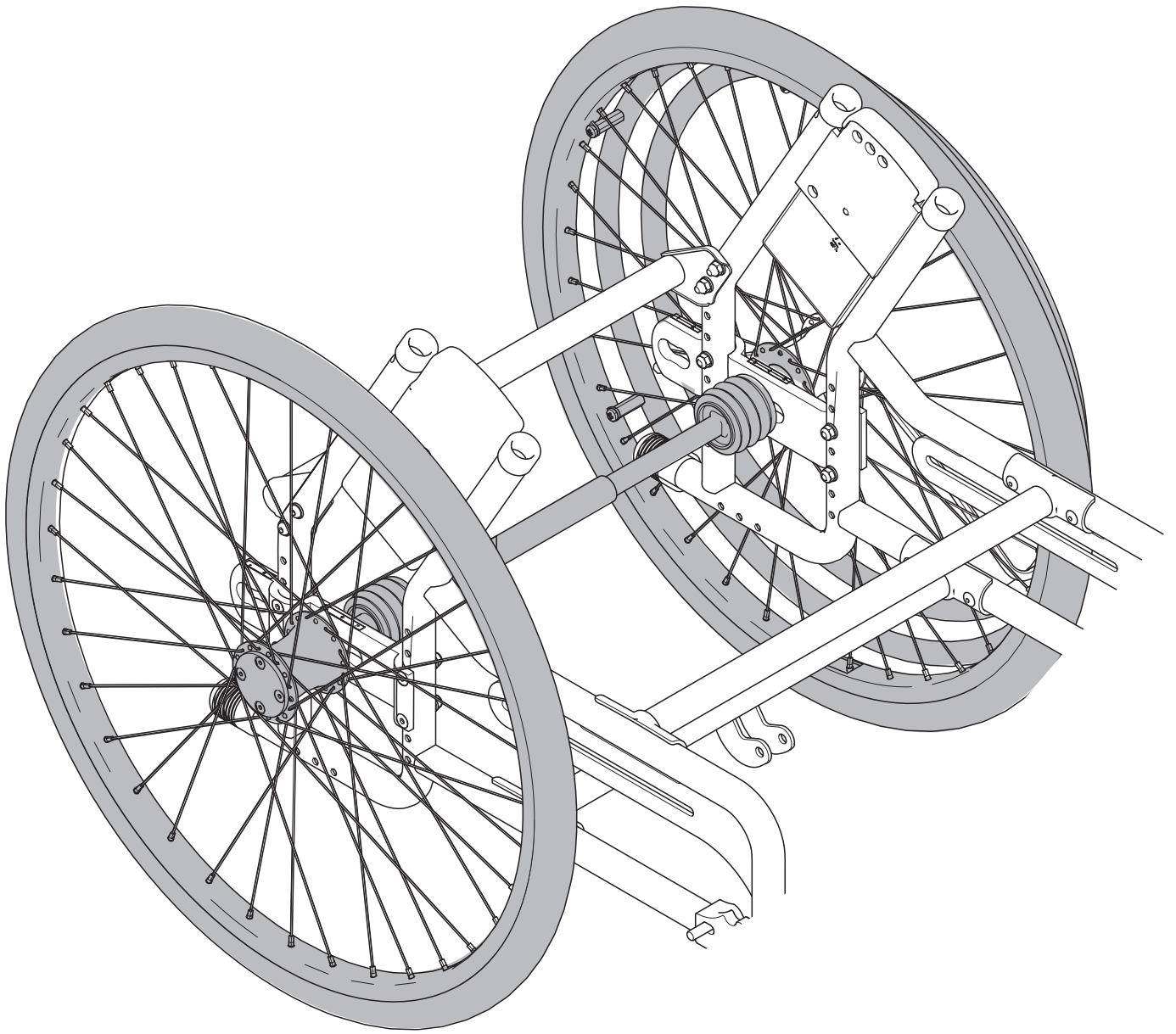
1



2









Sunrise Medical HCM B.V.
Vossenbeemd 104
5705 CL Helmond
The Netherlands

T: +31 (0)492 59 38 88
E: customerservice@sunrisemedical.nl
www.SunriseMedical.eu



Sunrise Medical AB
Neogatan 5
431 53 Mölndal
Sverige

T: +46 (0) 31 748 37 00
F: +46 (0) 31 748 37 37
E: post@sunrisemedical.se
www.sunrisemedical.se