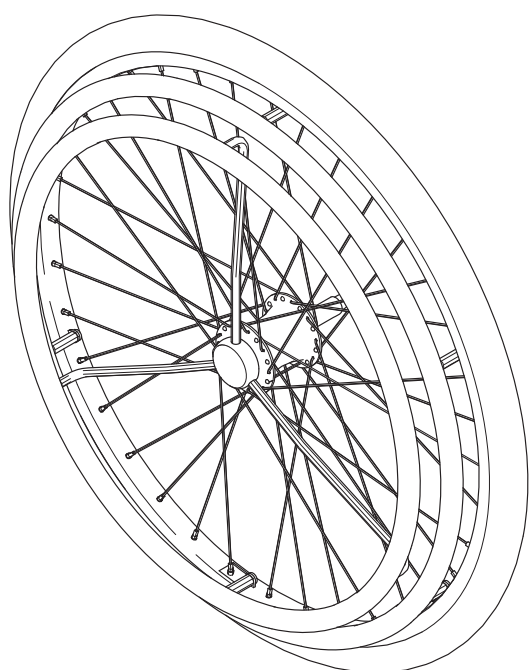


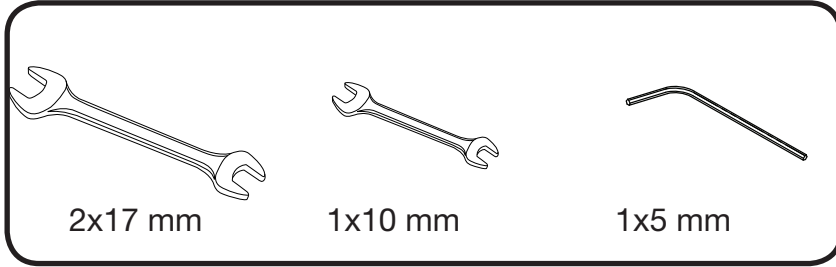
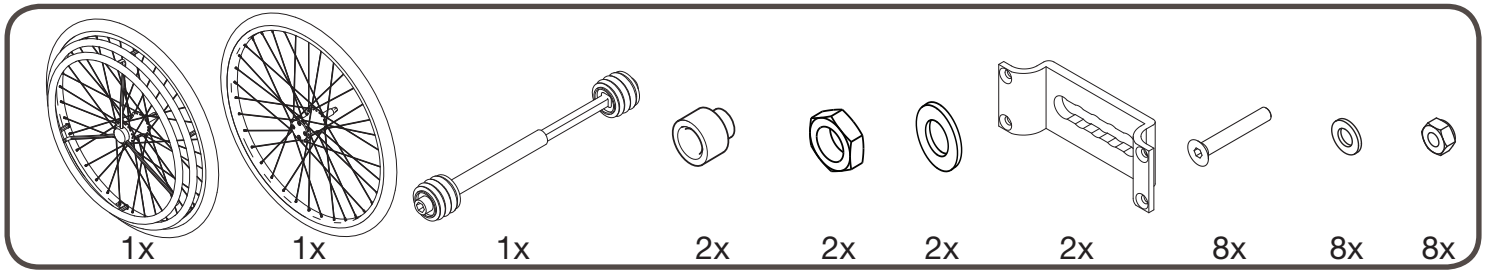
ASSEMBLY INSTRUCTION

One hand drive Emineo

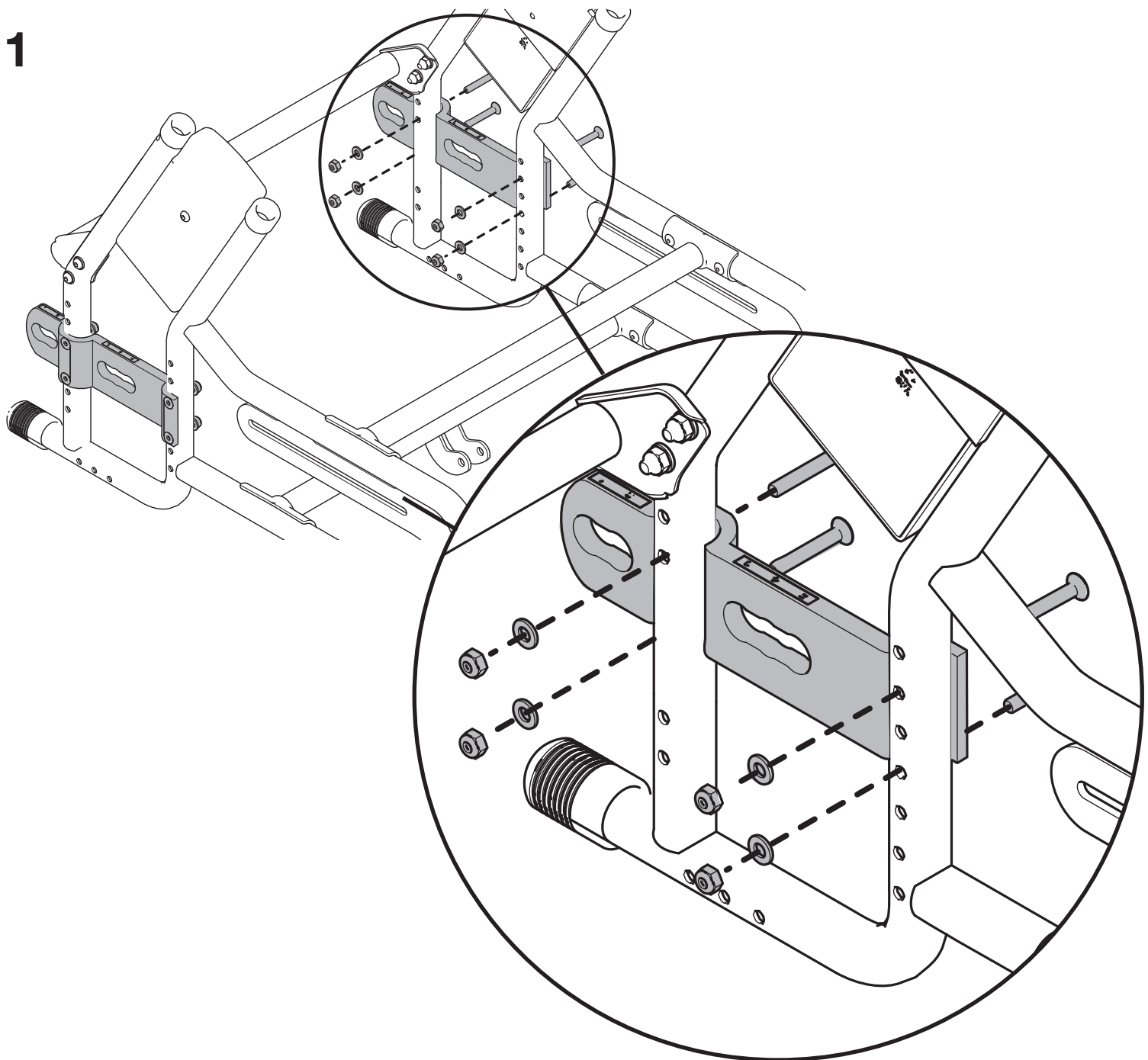


Description	Article number
One hand drive wheel, set, SW 39, 42, 45	<input type="checkbox"/> 3007915
One hand drive wheel, set, SW 48, 51	<input type="checkbox"/> 3007916
Wheels	<input type="checkbox"/> 3007925

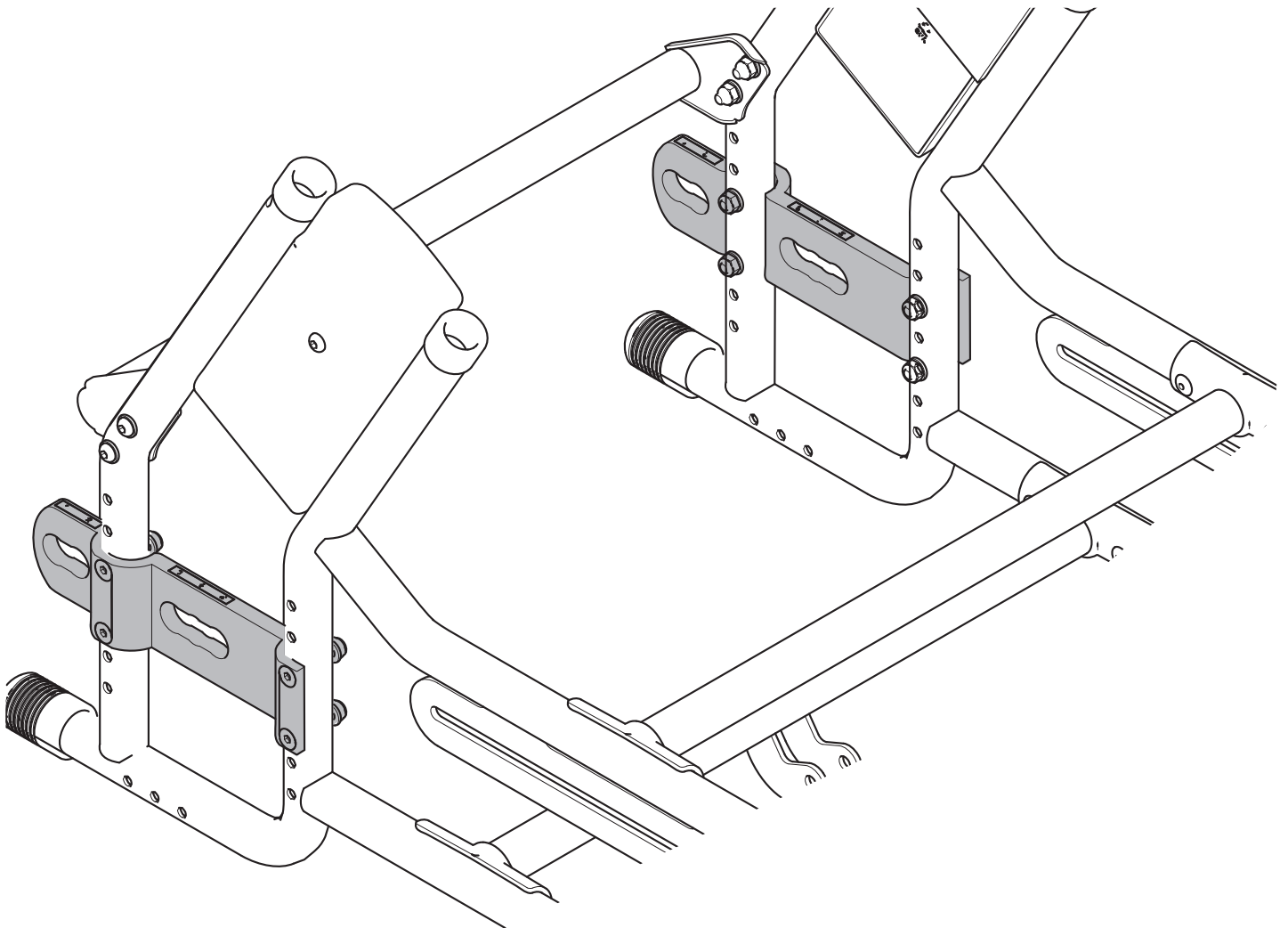


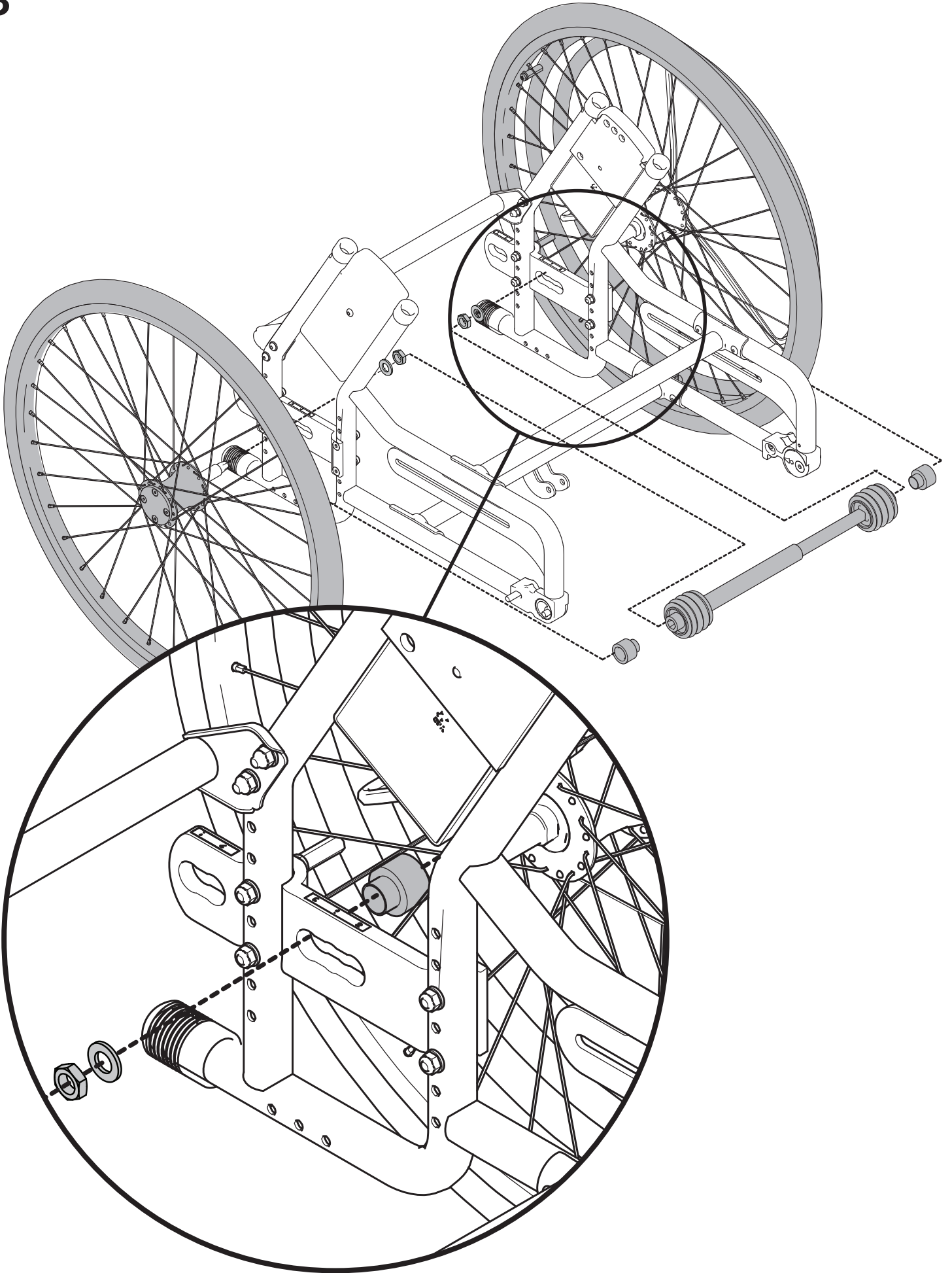


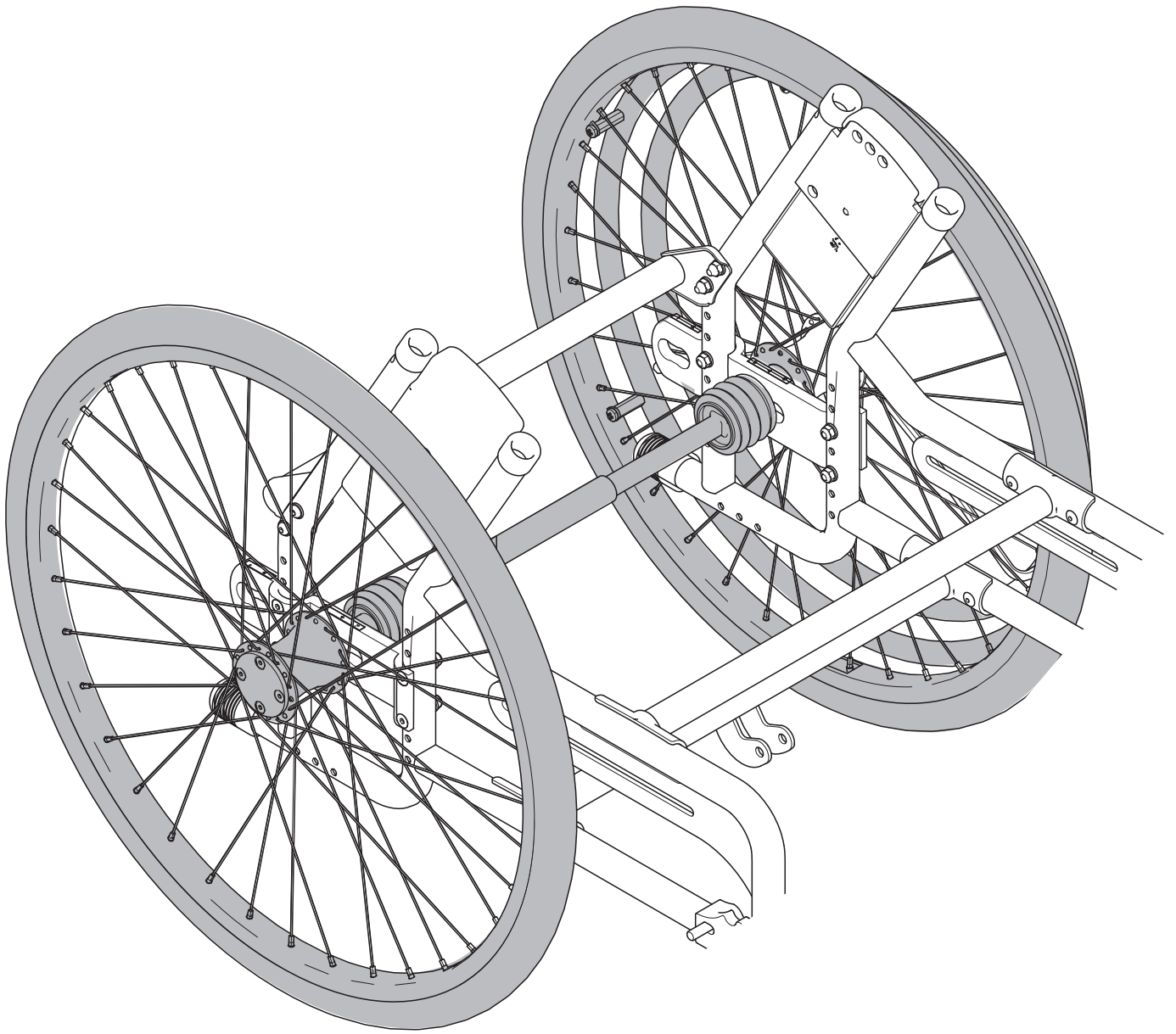
1



2









Sunrise Medical HCM B.V.
Vossenbeemd 104
5705 CL Helmond
The Netherlands

T: +31 (0)492 593 888
customerservice@sunrisemedical.nl
www.SunriseMedical.eu