

MONTERINGSANVISNING

# Plastbussning körhandtag



**Benämning**

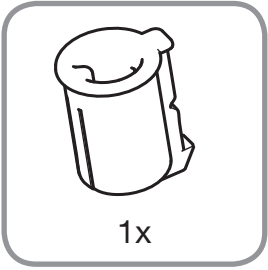
Plastbussning körhandtag

**Artikelnummer**

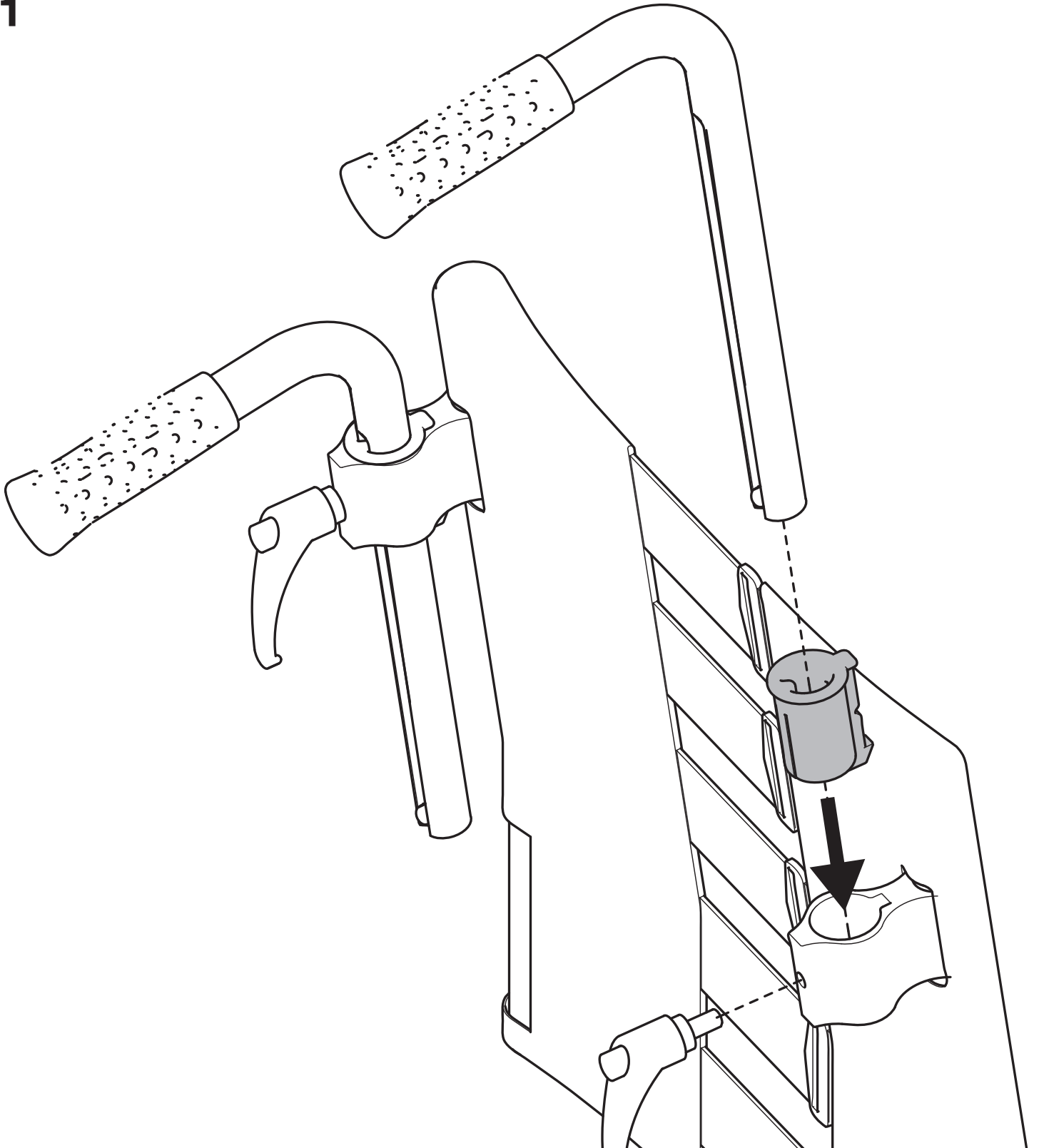


3345316

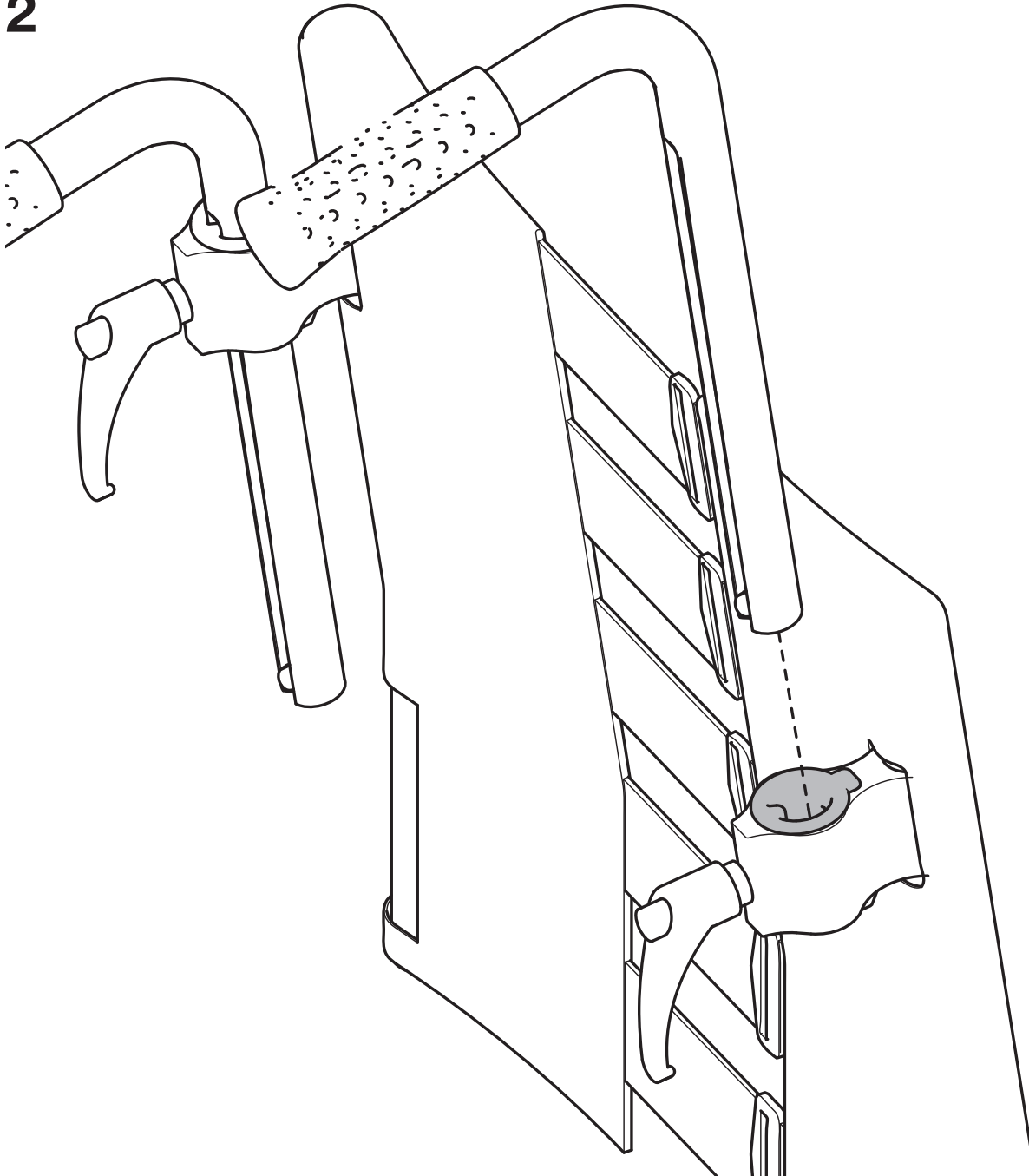




1



2





Sunrise Medical HCM B.V.  
Vossenbeemd 104  
5705 CL Helmond  
The Netherlands

T: +31 (0)492 59 38 88  
E: [customerservice@sunrisemedical.nl](mailto:customerservice@sunrisemedical.nl)  
[www.SunriseMedical.eu](http://www.SunriseMedical.eu)



Sunrise Medical AB  
Neongatan 5  
431 53 Mölndal  
Sverige

T: +46 (0) 31 748 37 00  
F: +46 (0) 31 748 37 37  
E: [post@sunrisemedical.se](mailto:post@sunrisemedical.se)  
[www.sunrisemedical.se](http://www.sunrisemedical.se)