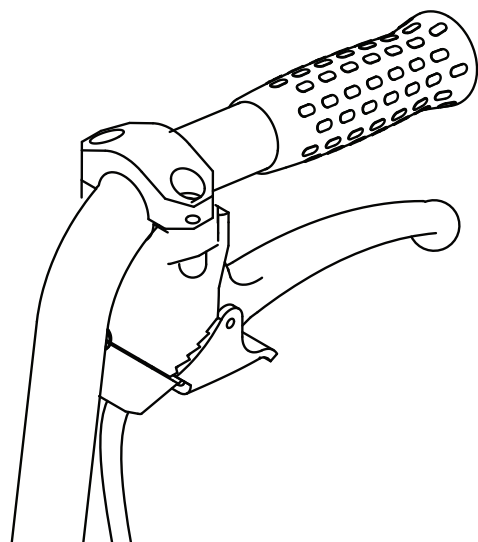


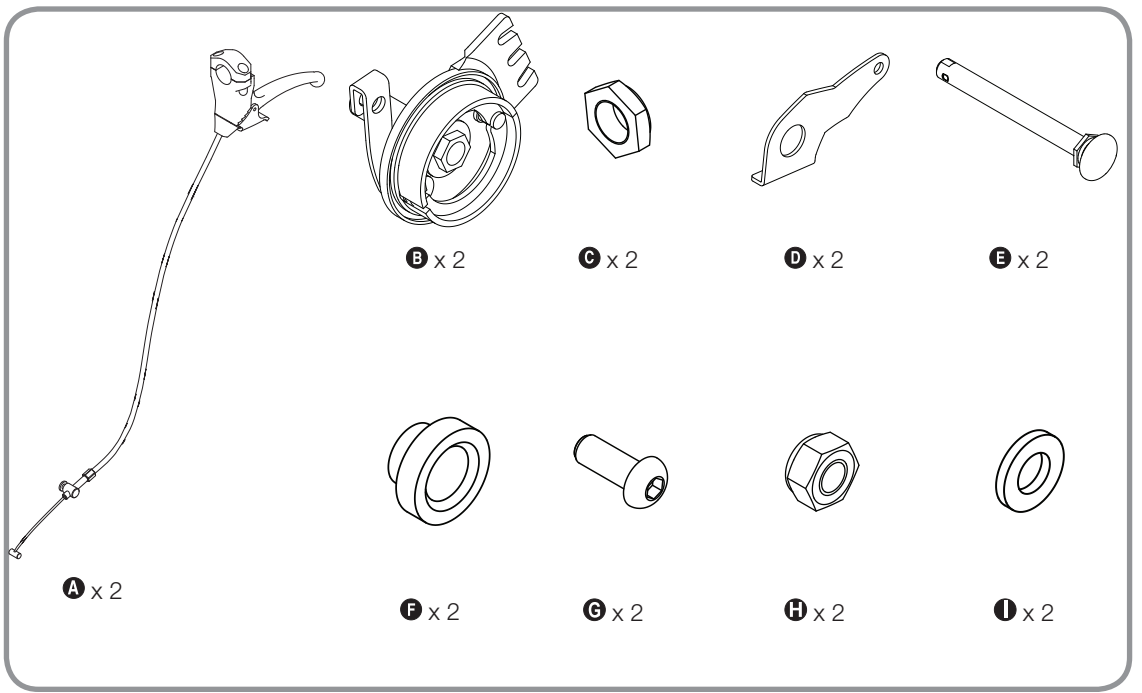
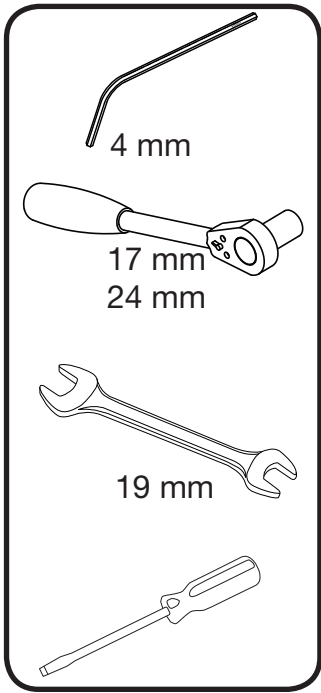
MONTERINGSANVISNING

Vårdarbroms, set

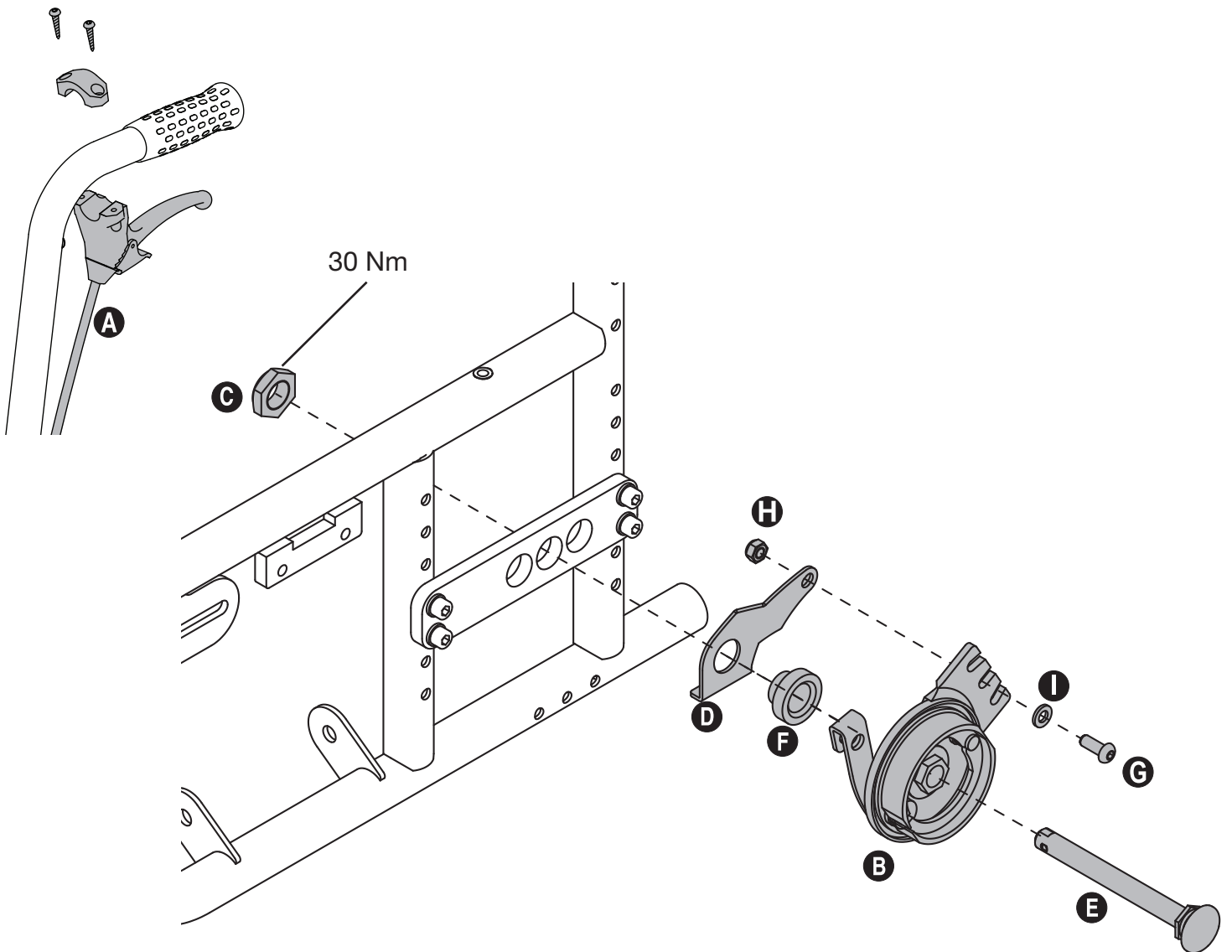


Benämning	Artikelnummer	
Delar till vårdarbroms		<input type="checkbox"/> 3349995
Storlek	Lufthjul	Kompakt hjul
20" Hjul	<input type="checkbox"/> 84416	<input type="checkbox"/> 84419
22" Hjul	<input type="checkbox"/> 84436	<input type="checkbox"/> 84439
24" Hjul	<input type="checkbox"/> 84456	<input type="checkbox"/> 84458

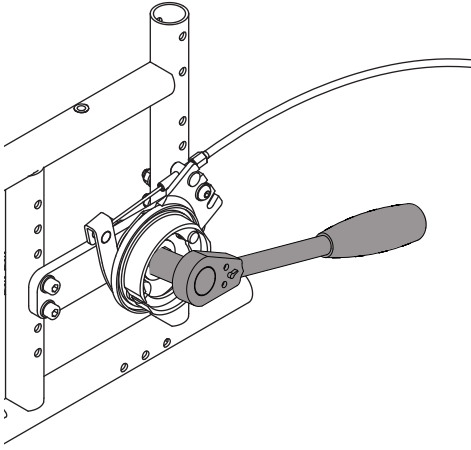
The logo for Breezy, featuring a stylized wave symbol to the left of the word "Breezy" in a serif font, with a registered trademark symbol (®) to the upper right of the word.



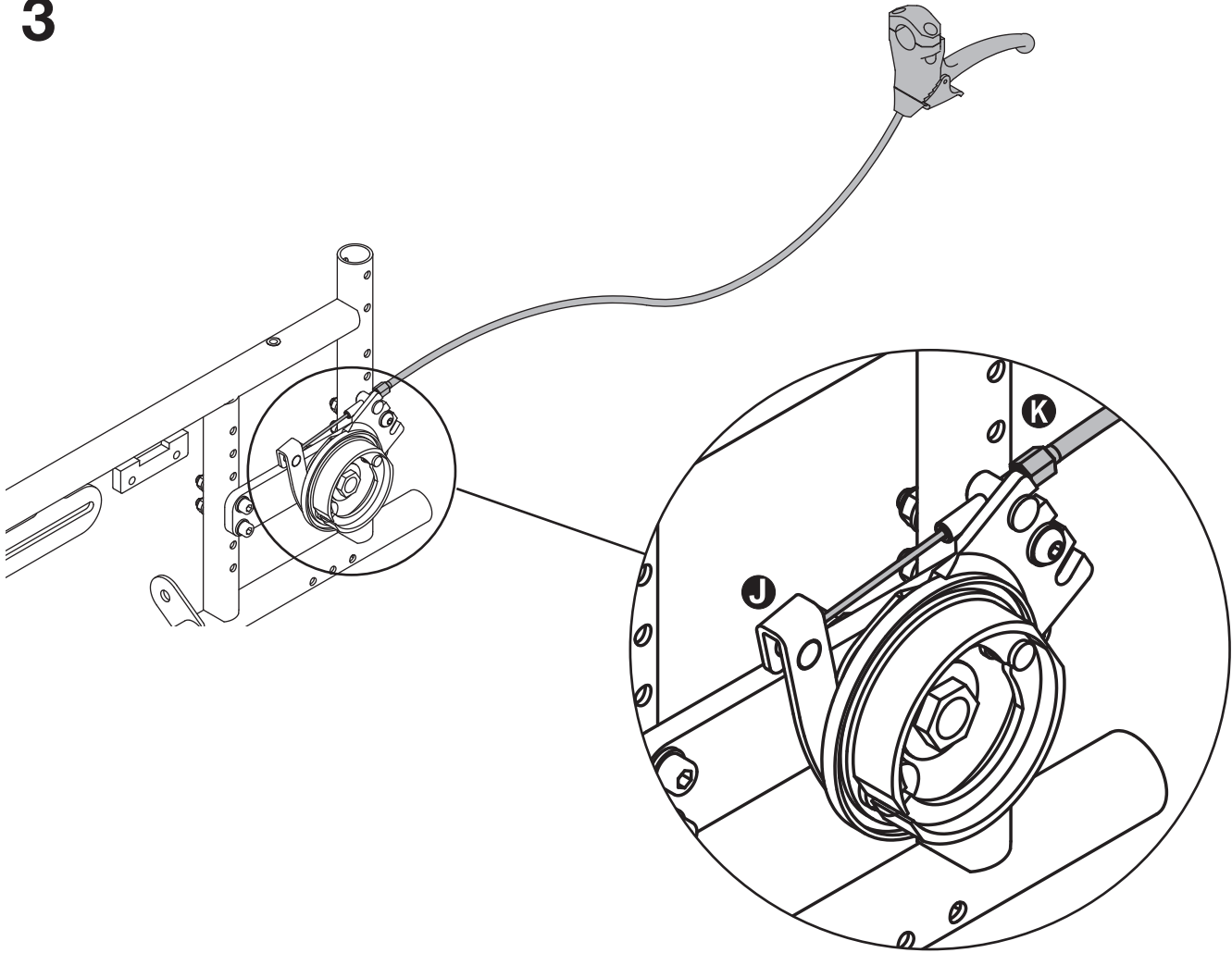
1

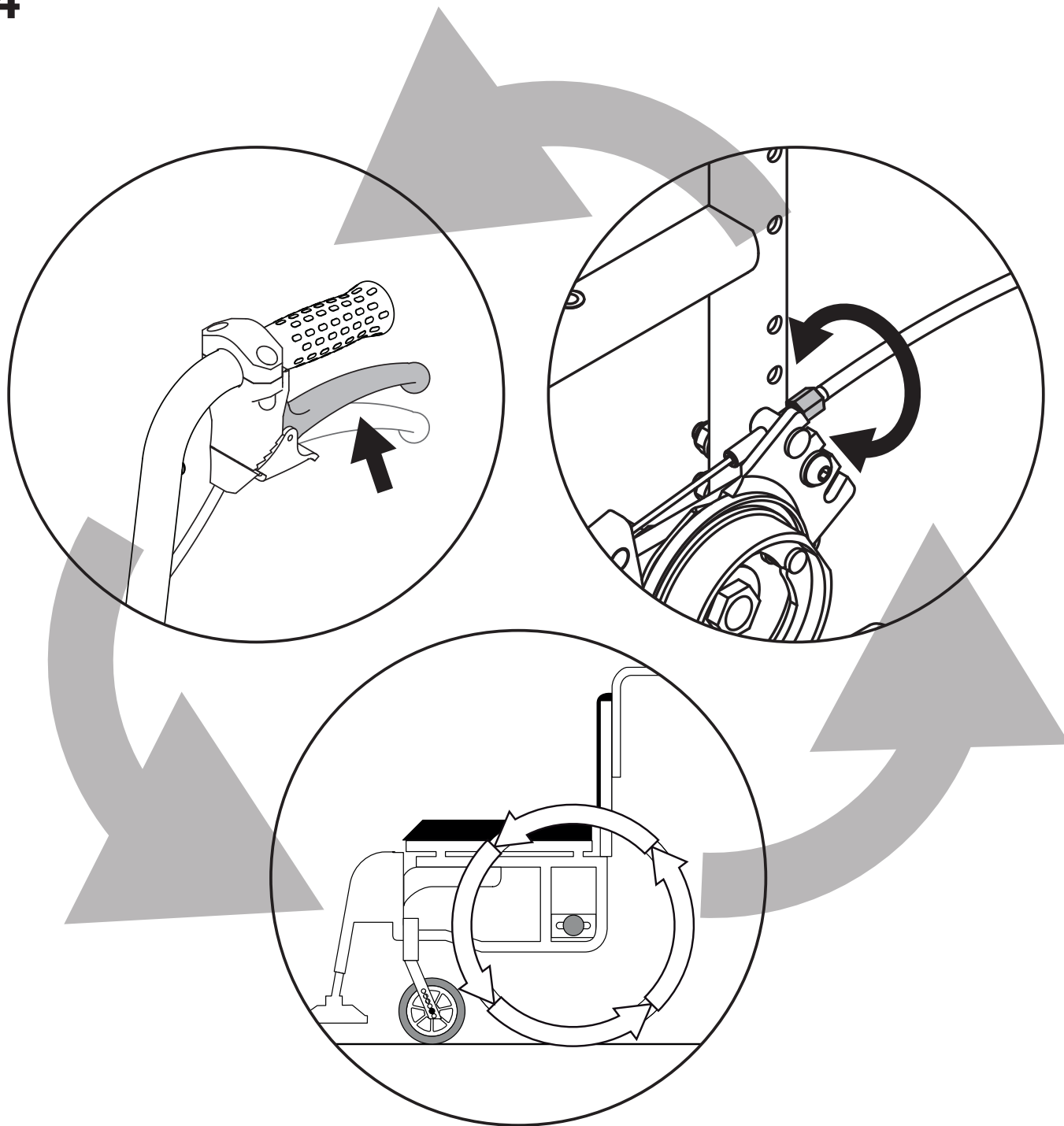


2



3





Sunrise Medical HCM B.V.
Vossenbeemd 104
5705 CL Helmond
The Netherlands

T: +31 (0)492 59 38 88
E: customerservice@sunrisemedical.nl
www.SunriseMedical.eu



Sunrise Medical AB
Neongatan 5
431 53 Mölndal
Sverige

T: +46 (0) 31 748 37 00
F: +46 (0) 31 748 37 37
E: post@sunrisemedical.se
www.sunrisemedical.se