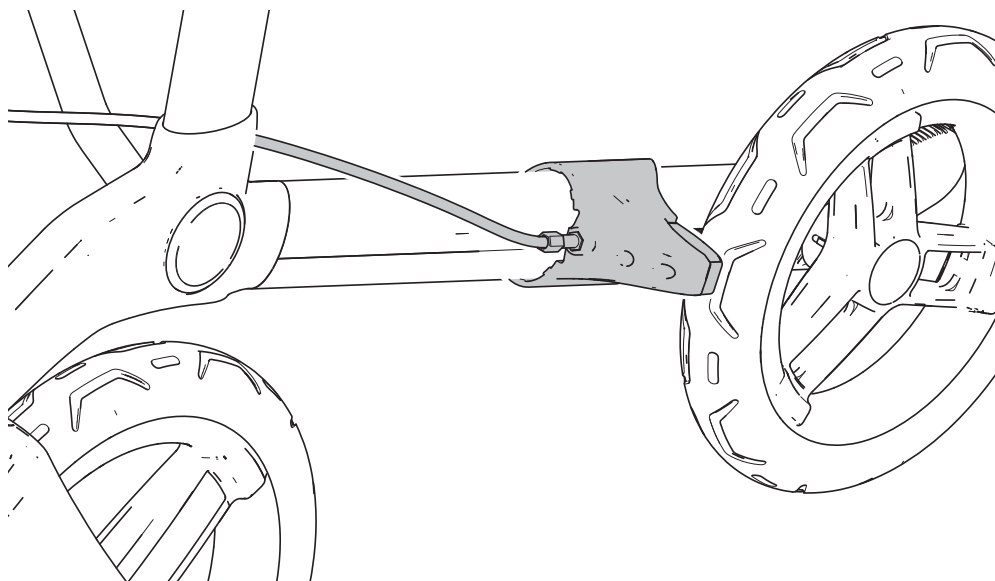


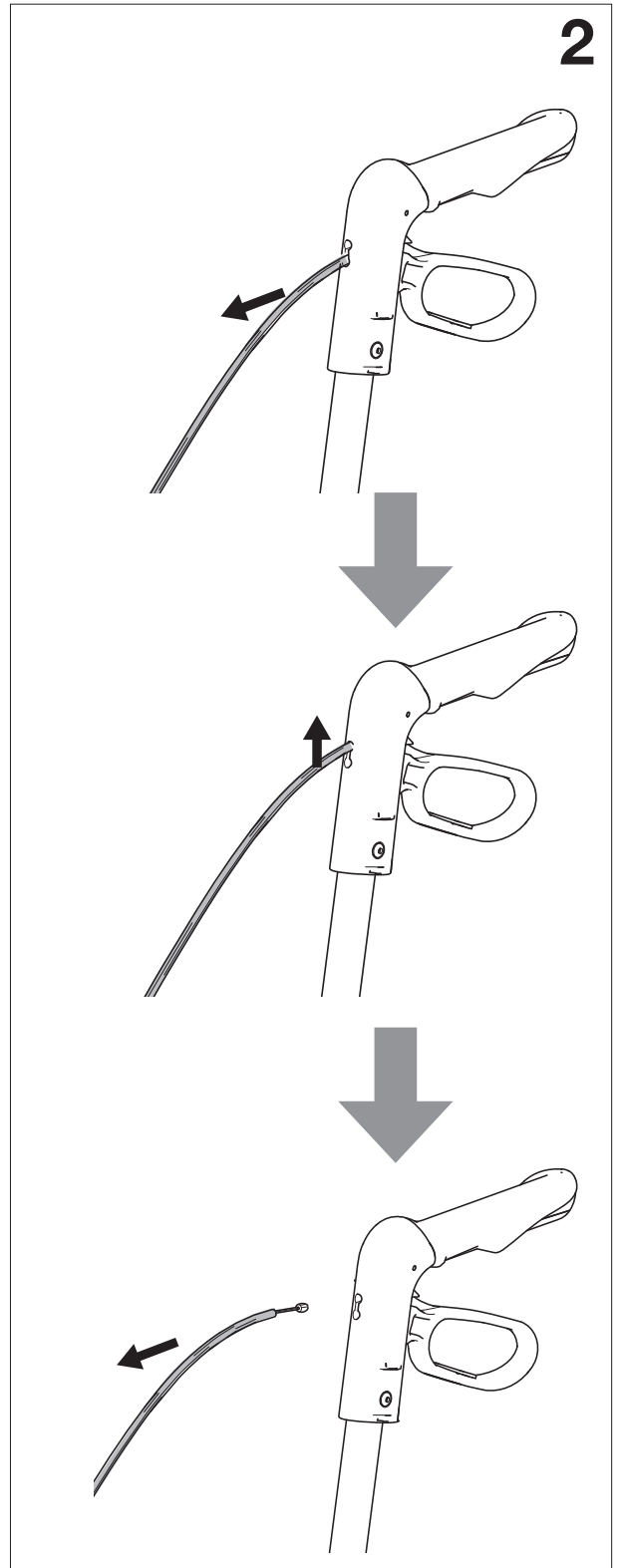
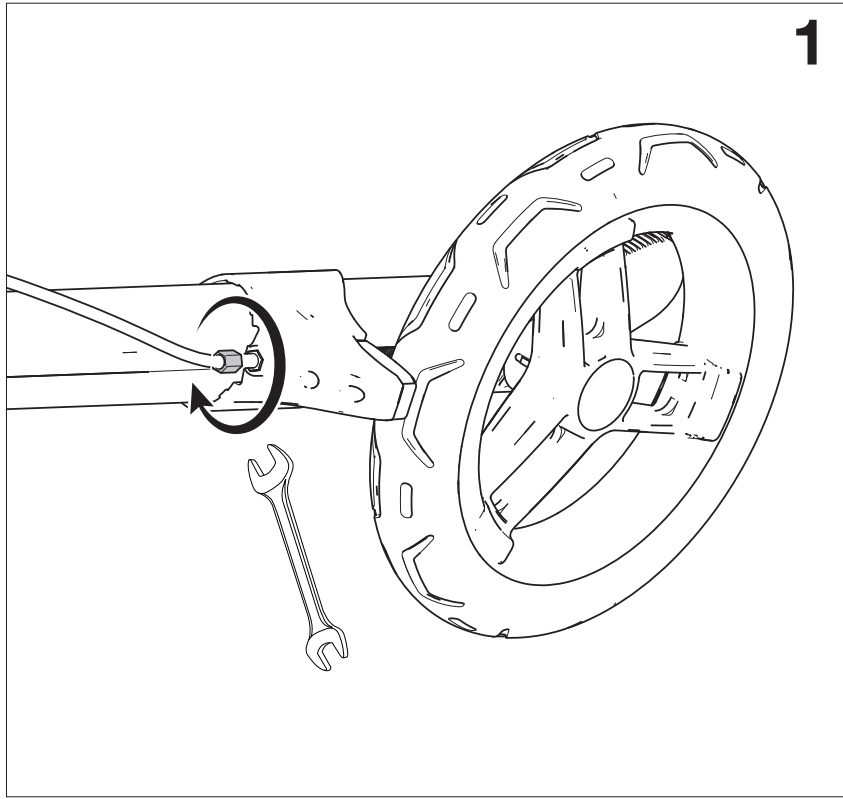
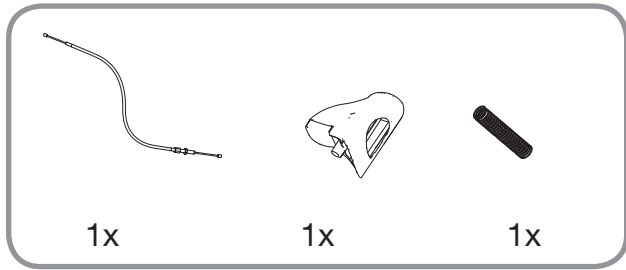
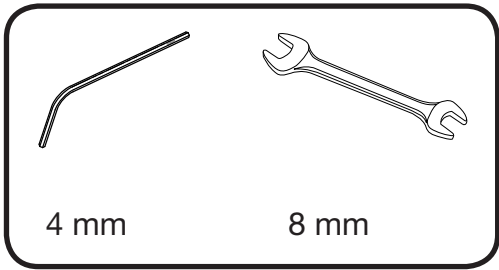
ASSEMBLY INSTRUCTION

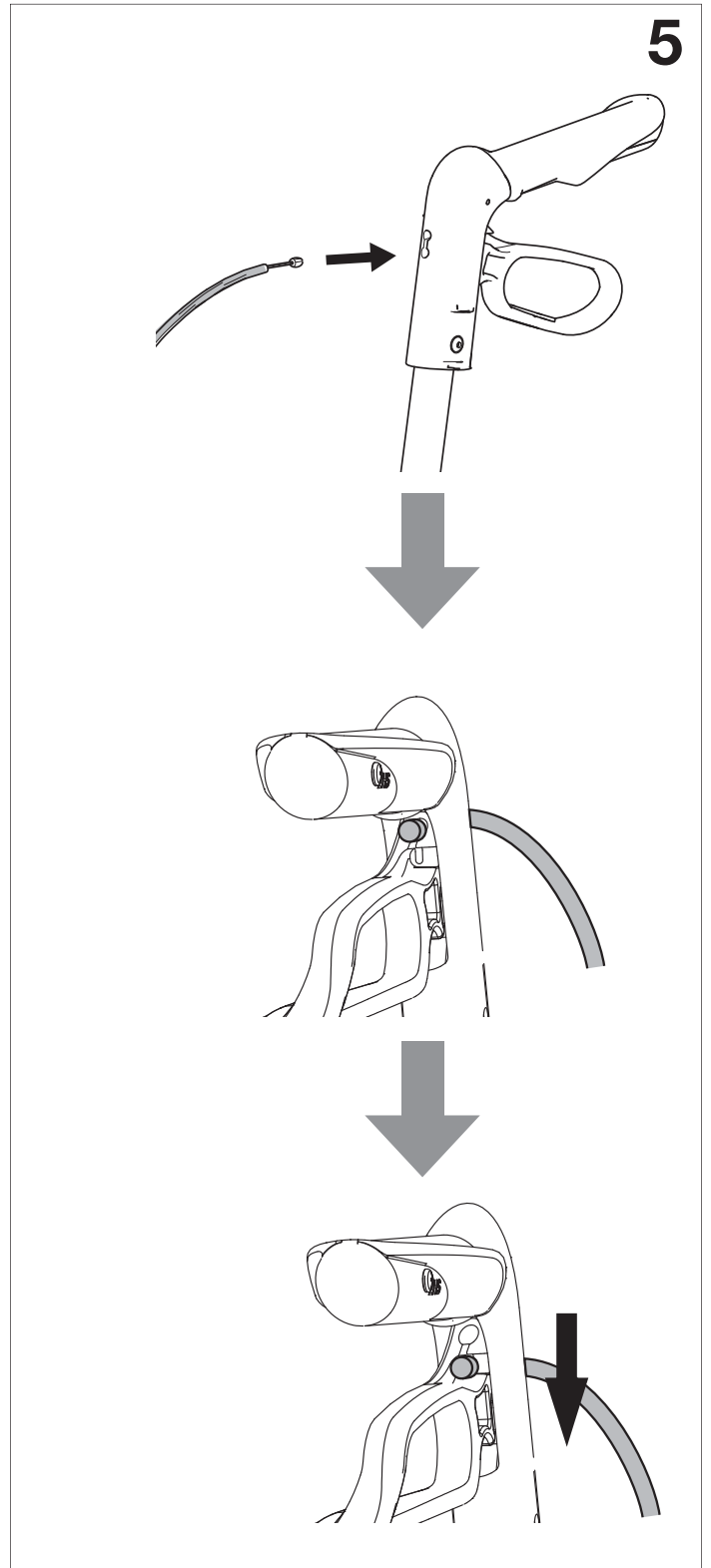
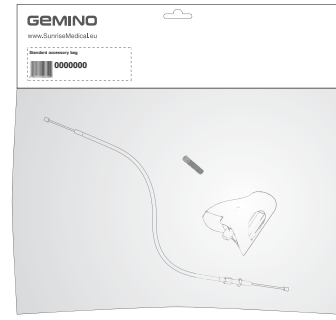
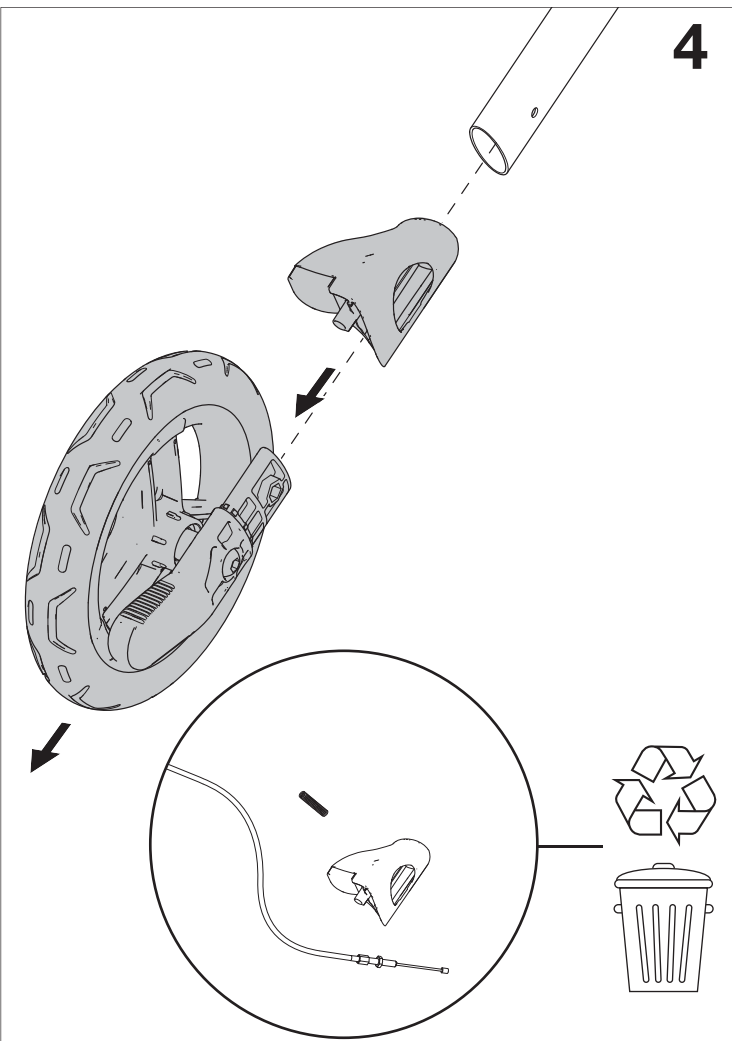
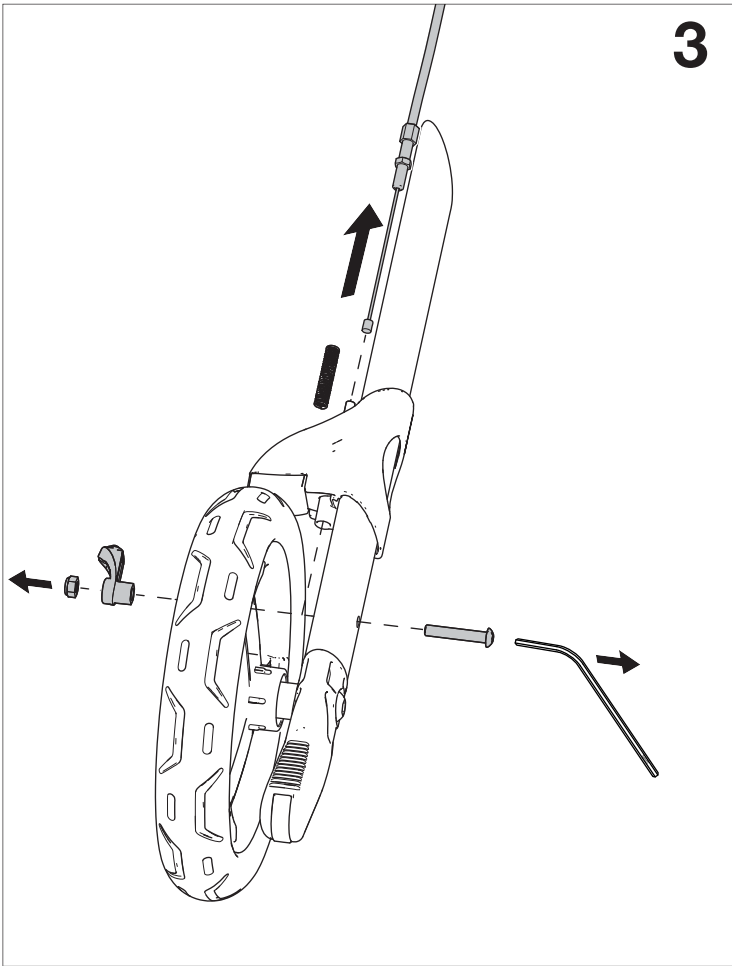
Wire and brake block

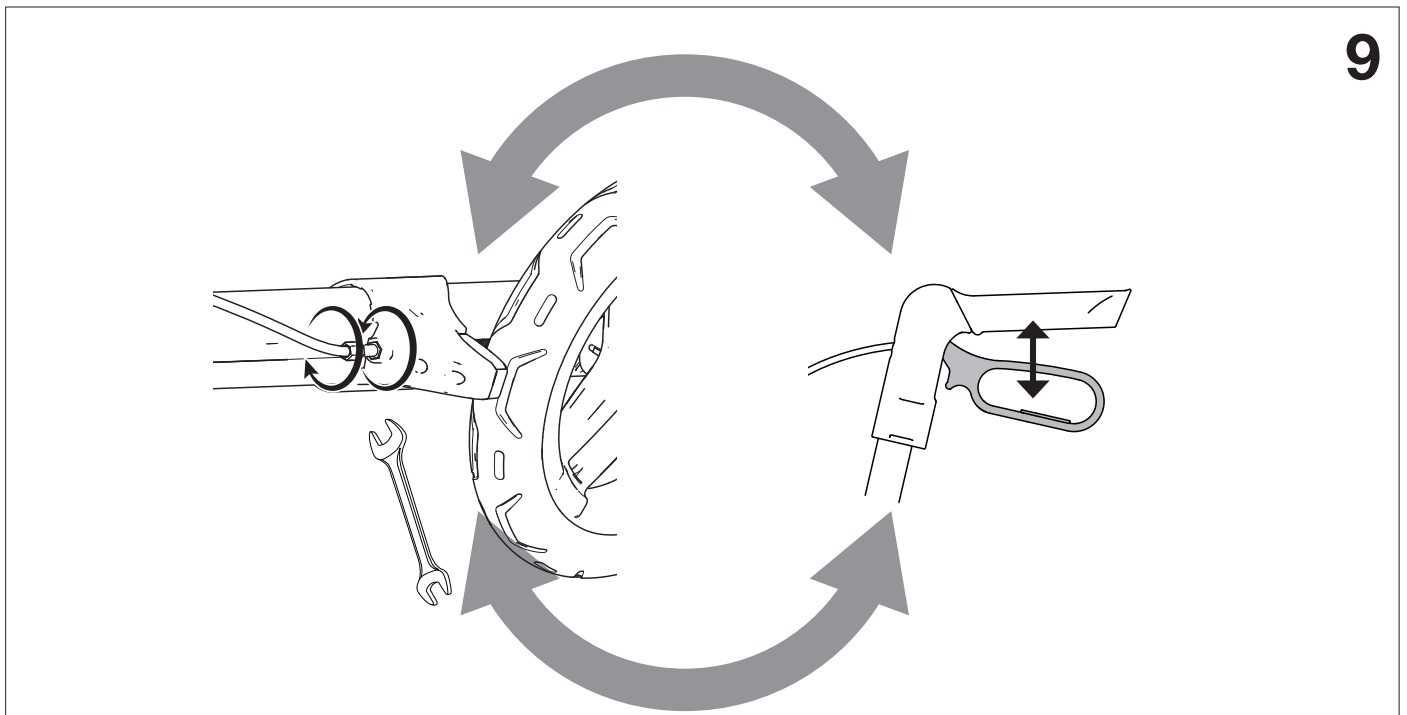
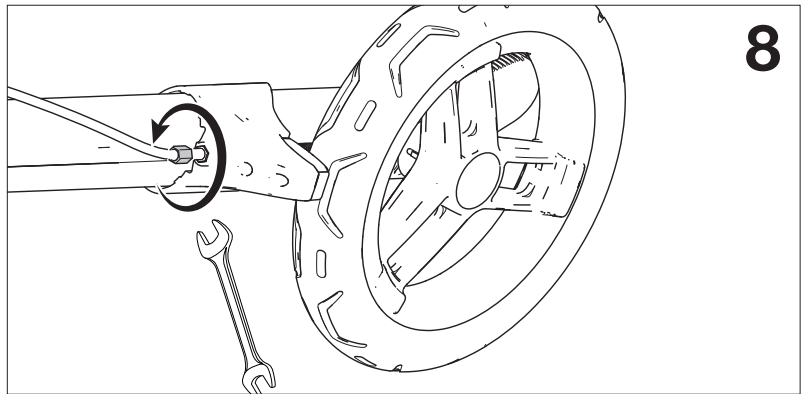
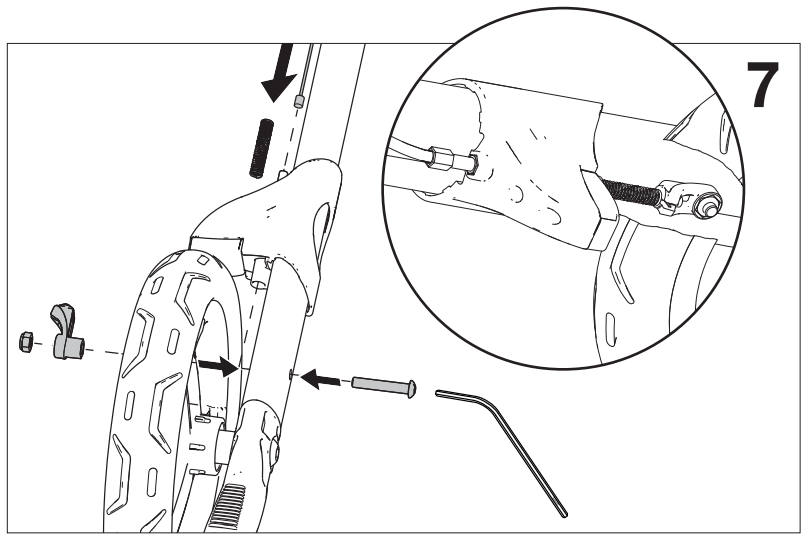
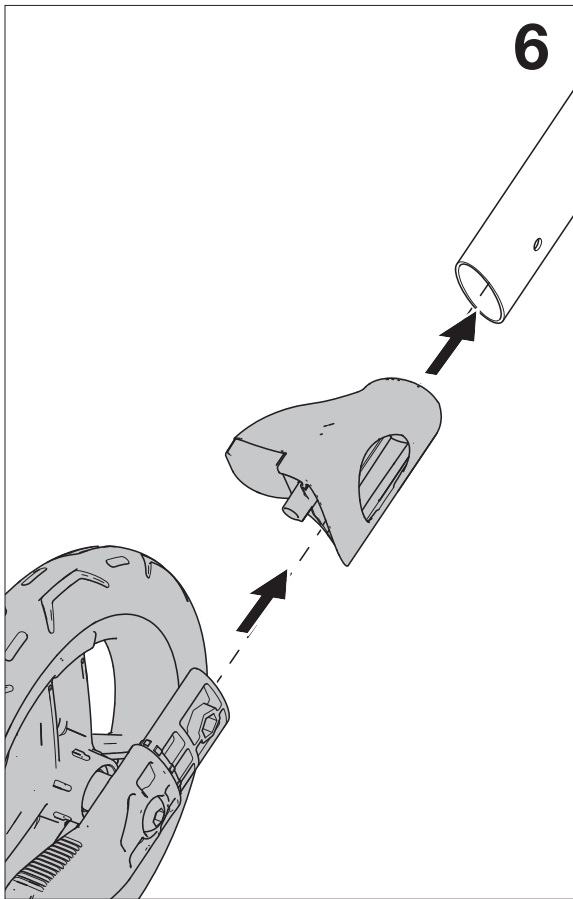


Description	Article number
Wire and brake block Gemino 60 models and Gemino 30 Comfort	<input type="checkbox"/> 7168220
Wire and brake block Gemino 60 M models and Gemino 30 M Comfort	<input type="checkbox"/> 7168230

GEMINO







Sunrise Medical HCM B.V.
Vossenbeemd 104
5705 CL Helmond
The Netherlands

T: +31 (0)492 593 888
customerservice@sunrisemedical.nl
www.SunriseMedical.eu