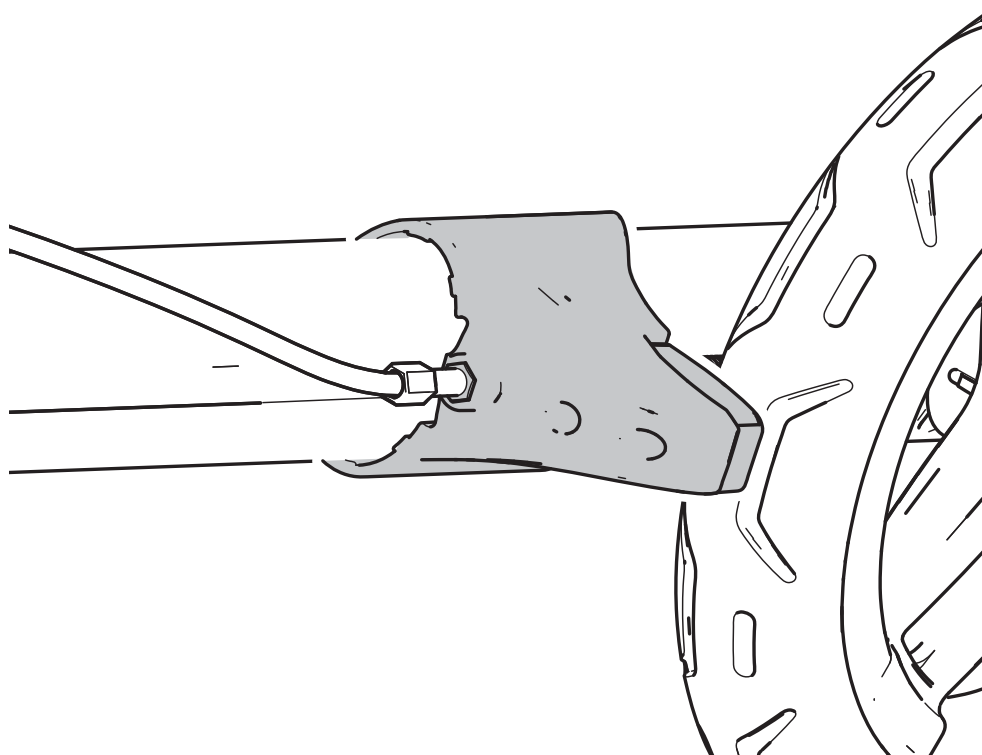


ASSEMBLY INSTRUCTION

Brake block



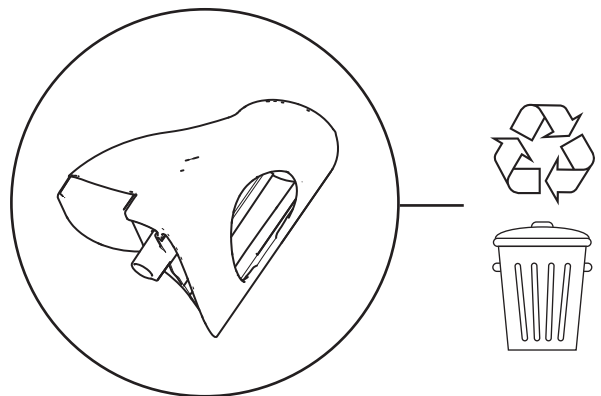
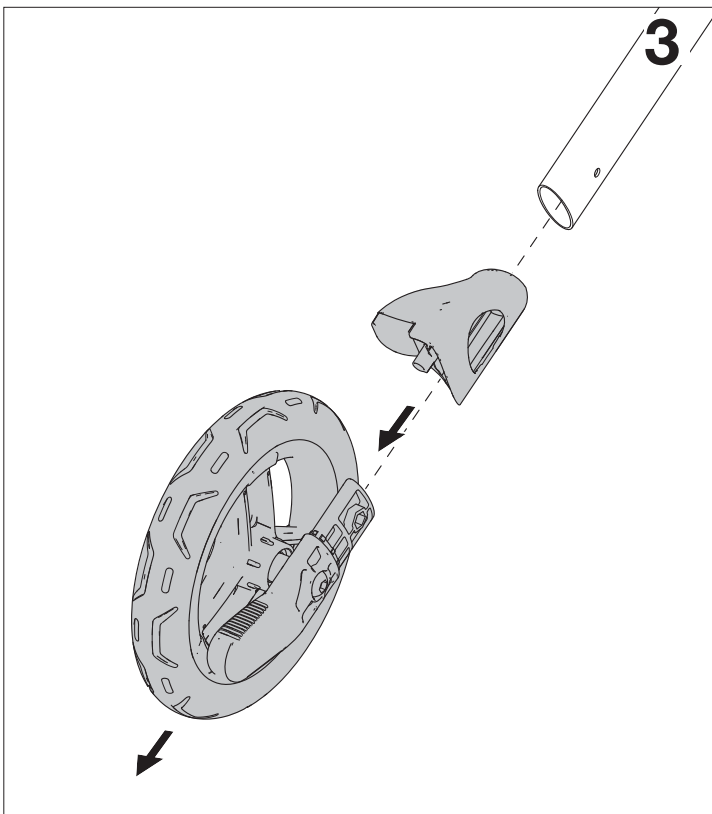
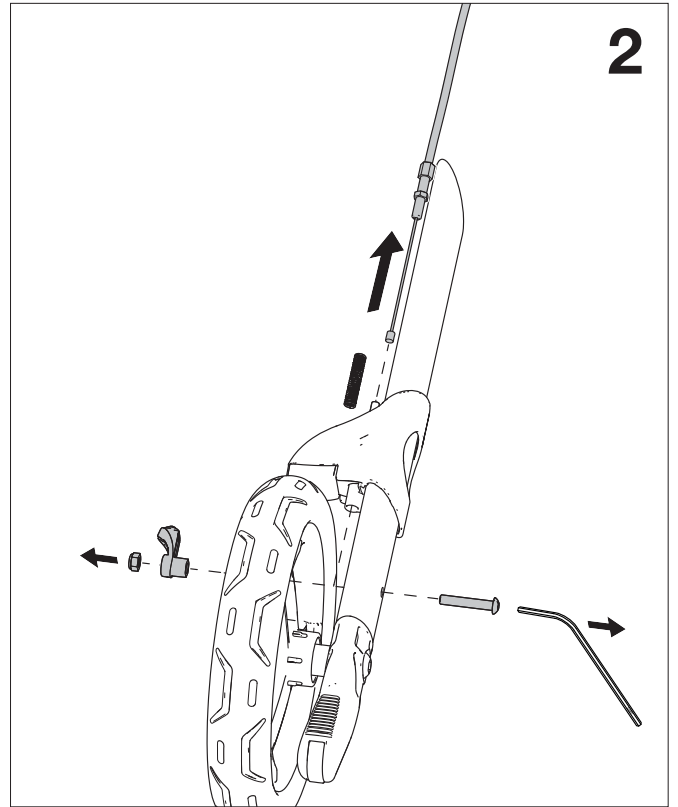
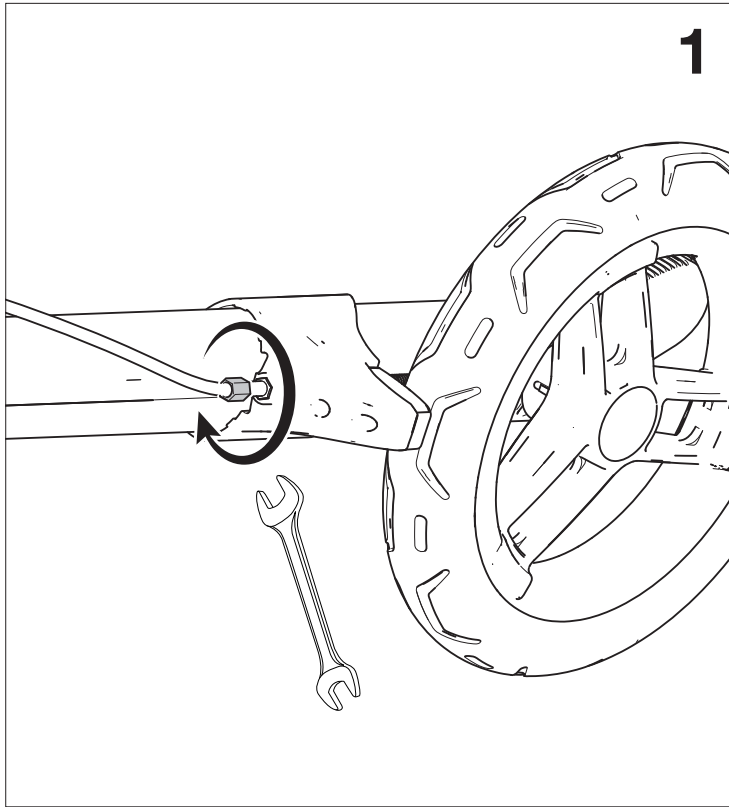
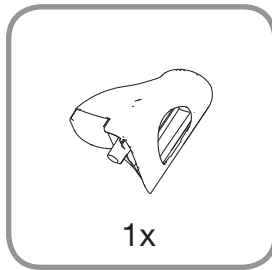
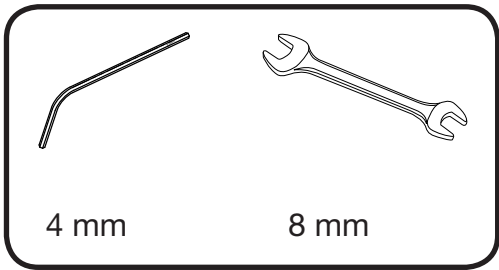
Description

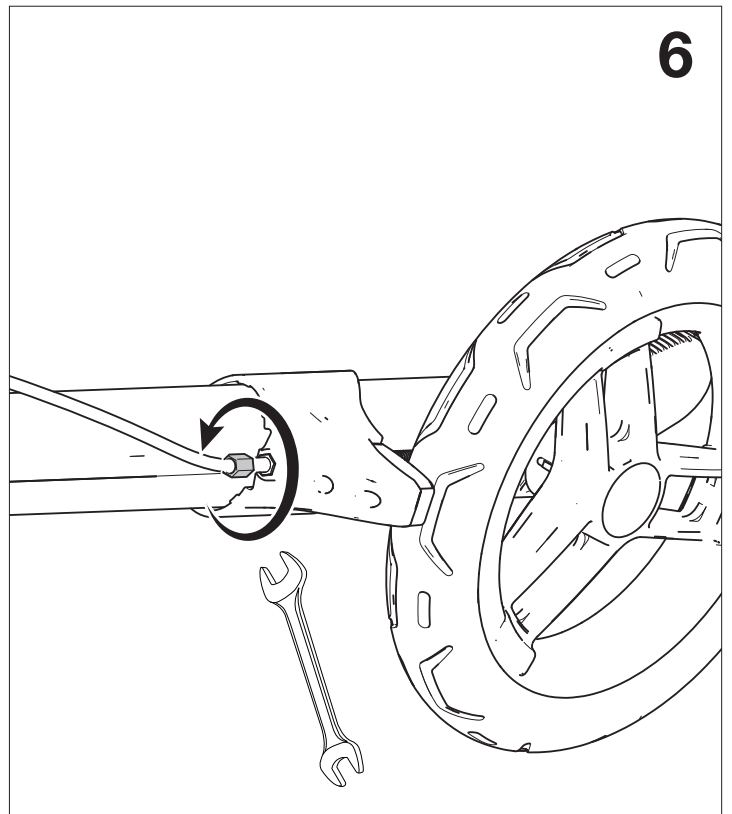
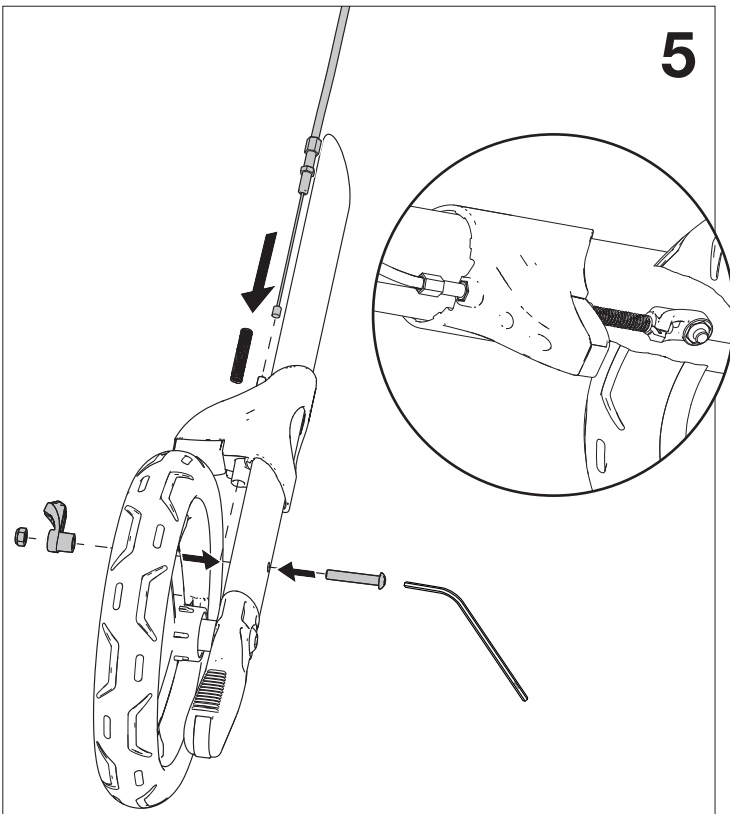
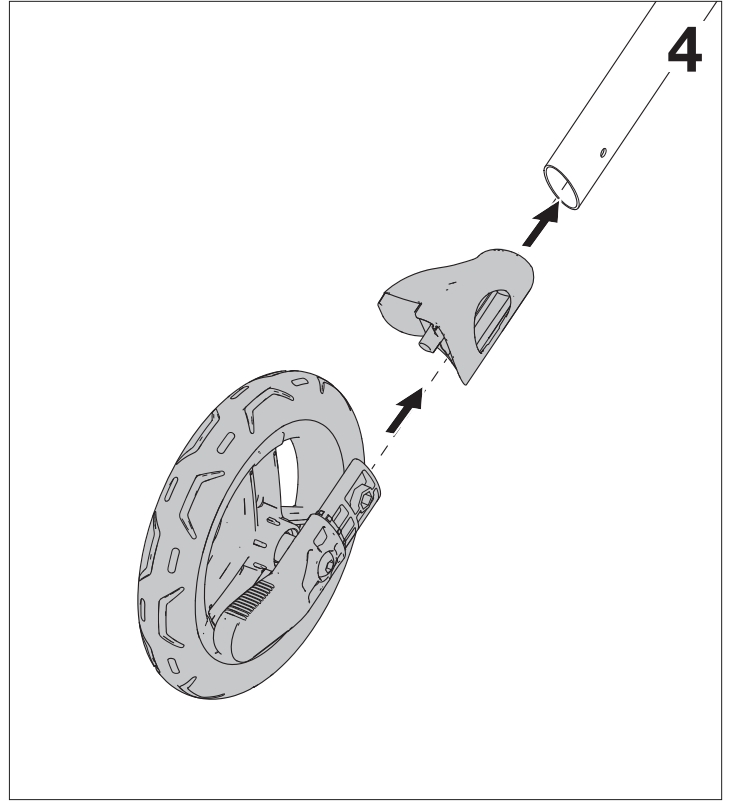
Brake block Gemino 60/60M models and Gemino 30/30M Comfort

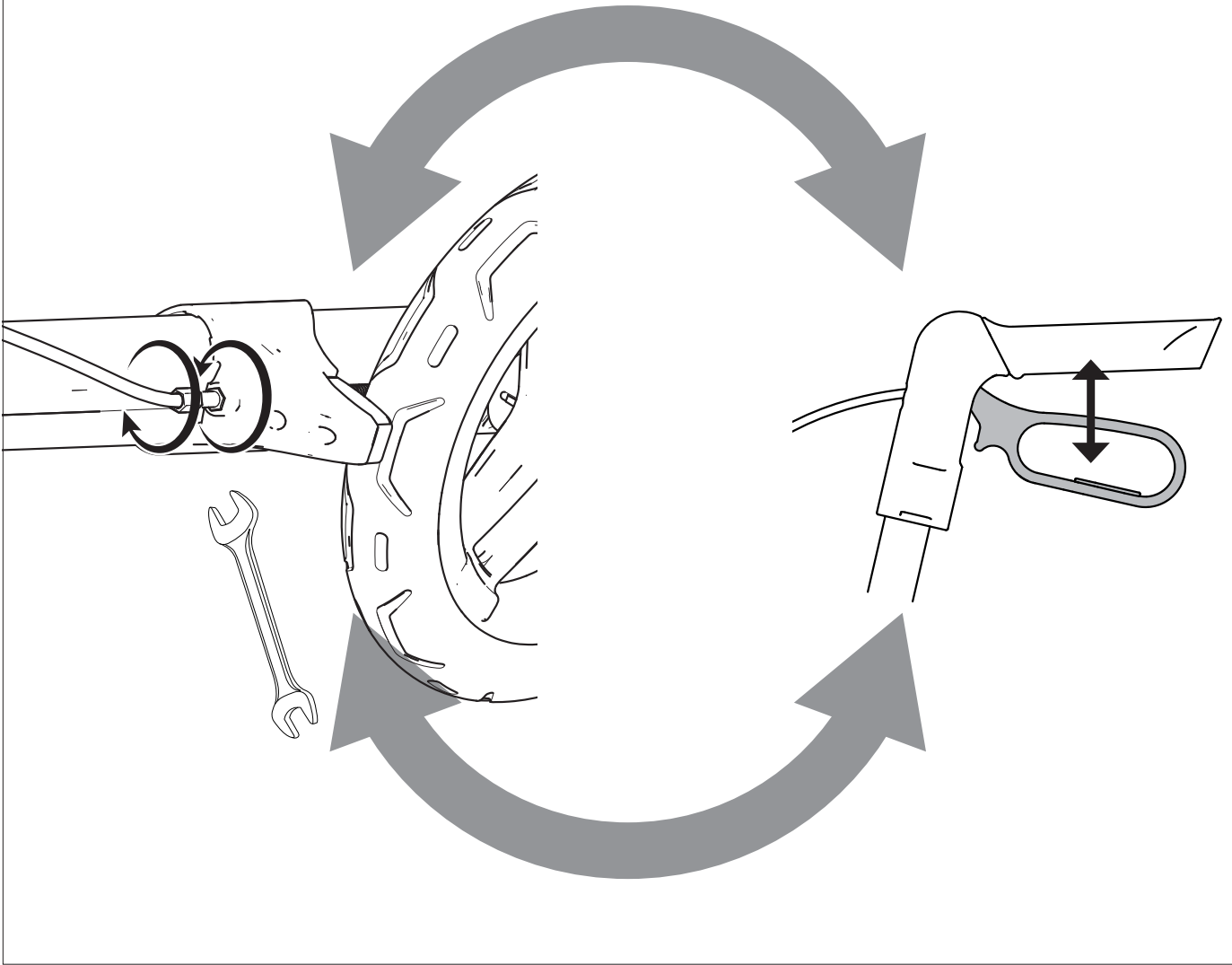
Article number

7168223

GEMINO







Sunrise Medical HCM B.V.
Vossenbeemd 104
5705 CL Helmond
The Netherlands

T: +31 (0)492 593 888
customerservice@sunrisemedical.nl
www.SunriseMedical.eu