

WHEELCHAIR
FAUTEUIL ROULANT
ROLSTOEL

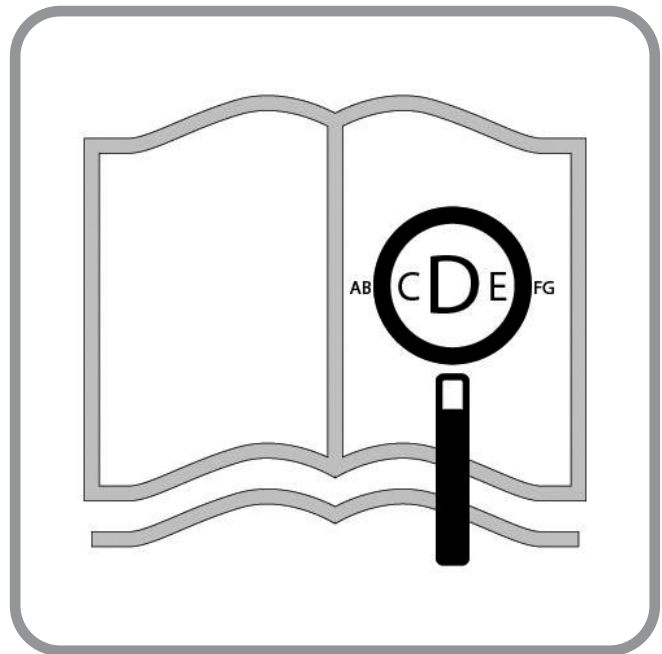


Krypton R

DIRECTIONS FOR USE
NOTICE D'UTILISATION
GEBUIKERSHANDLEIDING

**QUICKIE**[®]

000690974.02



If you are visually impaired, this document can be viewed in PDF format at:
www.SunriseMedical.co.uk

Si vous souffrez de déficience visuelle, ce document peut être consulté en
format PDF sur www.SunriseMedical.fr

Als u visueel gehandicapt bent kan dit document ook worden gelezen in PDF-
formaat op: www.SunriseMedical.nl

Wheelchair Components

EN 

We at SUNRISE MEDICAL have been awarded the ISO-13485 certificate, which affirms the quality of our products at every stage, from R & D to production. This product complies with the standards set forth in EU and UK regulations. Options or accessories shown are available at extra cost.

Description du fauteuil

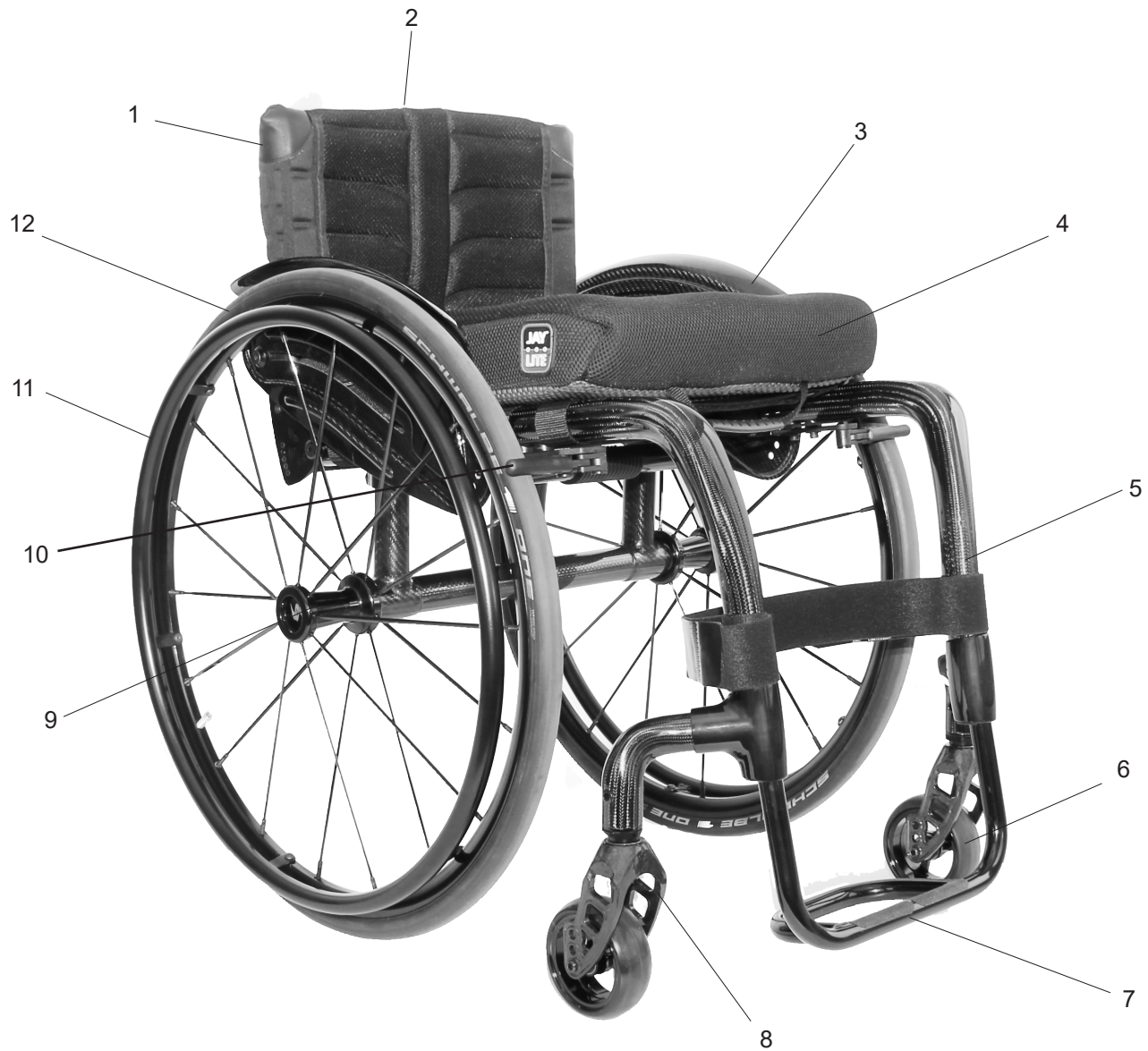
FR 

Nous, la société SUNRISE, sommes certifiés ISO 13485, ce qui garantit la qualité de nos produits à tous les stades, du développement jusqu'à la production. Ce produit est conforme aux exigences des réglementations de l'Union européenne et du Royaume-Uni. Les options ou accessoires illustrés sont disponibles en option.

Rolstoelonderdelen

NL 

SUNRISE MEDICAL heeft het ISO 13485 certificaat toegekend gekregen, een bewijs van de kwaliteit van onze processen in elk stadium, vanaf het onderzoek en de ontwikkeling tot de productie. Dit product voldoet aan de standaarden zoals bepaald in regelgeving van de EU en het VK. Getoonde opties en accessoires zijn tegen betaling verkrijgbaar.



04



1. Push handle
2. Backrest sling
3. Sideguard
4. Seat sling
5. Footrest
6. Castors
7. Footplate
8. Fork
9. Quick-release axles
10. Wheel locks
11. Handrim
12. Rear wheel



26



1. Poignée de poussée
2. Toile de dossier
3. Protège-vêtement
4. Toile du siège
5. Repose-pieds
6. Roues avant
7. Palette
8. Fourche
9. Axes à déverrouillage rapide
10. Freins
11. Main courante
12. Roue arrière



48



1. Duwhandvat
2. Rugleuning met band
3. Zijkant
4. Zitmat
5. Voetsteun
6. Voorwielen
7. Voetenplaat
8. Vork
9. Quick-Release assen
10. Remmen
11. Hoepel
12. Achterwiel

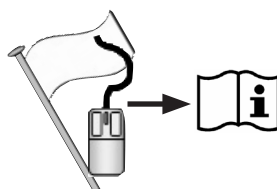






Table of Contents

Table of Contents	4
Definitions	4
Foreword	5
Use	5
Area of Application.	6
1.0 General safety notes and driving limits	7
2.0 Handling	9
3.0 Transporting the wheelchair	9
4.0 Options	9
Step Tubes	9
Brakes	9
Suspension System	11
Setting the centre of gravity for Krypton R	12
Footplate Adjustment	13
Seat	13
Castors	14
Wheel Alignment	14
Backrest	15
Sideguards	16
Push handle	17
Anti-tip tubes	17
Crutch Holder	18
Pelvic Restraint Belt	18
5.0 Tyres and Mounting	19
6.0 Maintenance and care	19
7.0 Disposal / Recycling of Materials	20
8.0 Trouble-shooting	20
9.0 Nameplate	21
10.0 Warranty	21
11.0 Technical Data	22
12.0 Torque	25

Definitions

3.1 Definitions of words used in this manual

Word	Definition
 DANGER!	Advice to the user of potential risk of serious injury or death if the advice is not followed
 WARNING!	Advice to the user of a risk of injury if the advice is not followed
 CAUTION!	Advice to user that potential damage to equipment may occur if the advice is not followed
NOTE:	General advice or best practice
	Reference To Additional Documentation

NOTE:

The wheelchairs shown and described in this user guide may not correspond in every detail exactly to your own model. However, all instructions are completely relevant, regardless of possible detail differences.

The manufacturer reserves the right to alter without notice any weights, measurements or other technical data shown in this manual. All figures, measurements and capacities shown in this manual are approximate and do not constitute specifications.

NOTE:

Please keep a note of the address and telephone number of your nearest service centre in the space below. In the event of a breakdown, contact them and try to give all relevant details so they can help you quickly.

Dealer signature and stamp

Foreword

Dear Customer,

We are very happy that you have decided in favour of a high-quality product from SUNRISE MEDICAL.

This owner's manual will provide numerous tips and ideas so that your new wheelchair can become a trustworthy and reliable partner in your life.

For Sunrise Medical, it is very important that we have a good relationship with our customers. We like to keep you up-to-date about new and current developments at our company. Keeping close to our customers means: fast service, as little red tape as possible, working closely with customers. When you need replacement parts or accessories, or if you just have a question about your wheelchair – we are there for you.

We want you to be satisfied with our products and service. At Sunrise Medical we are constantly working to develop our products further. For this reason, changes can occur in our palette of products with regard to form, technology and equipment. Consequently, no claims can be construed from the data or pictures contained in this user's manual.

The management system of SUNRISE MEDICAL is certified to ISO 13485 and ISO 14001.

**UK
CA** As the manufacturer, SUNRISE MEDICAL, declares that this product conforms to the UK Medical Devices Regulation 2002 No. 618.

CE As the manufacturer, SUNRISE MEDICAL, declares that this product conforms to the Medical Device Regulation (2017/745).

NOTE:

General user advice.

Not following these instructions may result in physical injury, damage to the product or damage to the environment!

Notice to the user and/or patient: Any serious incident that has occurred in relation to the device should be reported to the manufacturer and the competent authority of the Member State in which the user and/or patient is established.

B4Me special adaptations

Sunrise Medical strongly recommends that in order to ensure that your B4Me product operates, and performs as intended by the manufacturer; all the user information supplied with your B4Me product is read and understood, before the product is first used.

Sunrise Medical also recommends that the user information is not discarded after reading it, but it is kept safely stored for future reference.

Medical Device Combinations

It may be possible to combine this Medical device with one or more other Medical Device or other product. Information on which combinations are possible can be found at www.Sunrisemedical.co.uk. All combinations listed have been validated to meet the General Safety and Performance Requirements, Annex I Nr. 14.1 of the Medical Device Regulation 2017/745.

Guidance on the combination, such as mounting, can be found at www.SunriseMedical.co.uk

Please contact your local, authorised SUNRISE MEDICAL dealer if you have any questions concerning the use, maintenance, or safety of your wheelchair.

In case there is no authorised dealer in your area, or you have any questions about product safety and product recalls, contact Sunrise Medical either in writing or by telephone or find the information on www.sunrisemedical.co.uk.



IMPORTANT:

DO NOT USE YOUR WHEELCHAIR UNTIL THIS MANUAL HAS BEEN READ AND UNDERSTOOD.

Sunrise Medical
Thorns Road
Brierley Hill
West Midlands
DY5 2LD
England
Phone: 0845 605 66 88
Fax: 0845 605 66 89
www.SunriseMedical.co.uk

Use

Wheelchairs are exclusively for users, children and adults who are unable to walk or have limited mobility, for their own personal use, when self-propelling and being moved by a third party (pushed by attendant) within the home and outdoors.

The maximum weight limit (includes the user and any weight of accessories fitted to the wheelchair) is marked on the serial number label, which is affixed to the Axle Tube below the seat.

Warranty can only be taken on if the product is used under the specified conditions and for the intended purposes. The intended lifetime of this product is 5 years. Please DO NOT use or fit any 3rd party components to the wheelchair unless they are officially approved by Sunrise Medical.

The load-bearing components of this wheelchair are manufactured from carbon (correct designation: carbon fibre reinforced plastic or CFRP). Carbon fibre is a high-strength material that is used for conditions requiring extreme load-bearing capacity with minimal weight. Our carbon components are manually produced - irregularities in the weave, unevenness in the surface or small air pockets are purely visual and have no impact on stability. Carbon has some different features compared to metal or other plastics which should be considered for normal use.

Carbon can be damaged from overloading (impacts or shocks which go beyond usual use such as: Falls, tipping over or dropping the wheelchair. Overloading may damage the carbon fibres or lead to delamination (separation of the fibre layers or separation of the fibres from the resin). Often, this damage cannot be identified externally and may lead to reduced load-bearing capability or breaking of components in extreme cases.

 **DANGER!**

- After an accident, fall or dropping the wheelchair, it should no longer be used for safety reasons and should be sent to Sunrise Medical for inspection.
- The wheelchair should be regularly inspected for damage (cracks, discolourations, etc.).
- If the surface of the carbon components is damaged (indents or scratches which are deeper than the varnish layer) then the wheelchair should be sent to Sunrise Medical for inspection.
- During transportation (especially when traveling by air), ensure that the wheelchair does not come into contact with other items of luggage. Under no circumstances may luggage be loaded onto the wheelchair. Ensure that the wheelchair is firmly secured for slipping.
- Pay attention to creaking noises when using the wheelchair as these could indicate damage to the fibre structure. If applicable send to the wheelchair to Sunrise Medical for inspection.
- Replace damaged components immediately - damage to carbon components cannot be repaired.
- Accessories from third party suppliers such as handbikes, front wheels, or other non-standard fittings, are not permitted.
- Do not exceed the prescribed torque for all clamps and screws.
- Never attach any extensions using clamps or screws.
- Never mechanically alter or drill the carbon components.
- Never expose the wheelchair to high temperatures (such as for example as may happen to vehicles parked in the sun) or store near to heat sources.
- Clean the carbon components exclusively with a damp cloth and clear, cold or lukewarm water, or with added detergent if required.
- Never use any type of solvent or solvent-based cleaner, alcohol or acetone. Do not use any polish or abrasive varnish cleaner.

Area of Application.
Indications

The varieties of fitting variants, as well as the modular design, mean that it can be used by those who cannot walk or have limited mobility because of:

- Paralysis
- Loss of extremity (leg amputation)
- Extremity defect deformity
- Joint contractures/joint injuries
- Illnesses such as heart and circulation deficiencies, disturbance of equilibrium or cachexia, Neurological disease patterns, Muscle dystrophy, Hemiplegia as well as for elderly people who still have strength in the upper body.

Contraindications

The wheelchair shall not be used without attendant in case of:

- Perception disorder
- Imbalance
- Loss of both arms, if not supported by a caregiver
- Joint contracture or joint damage on both arms
- Seating disability

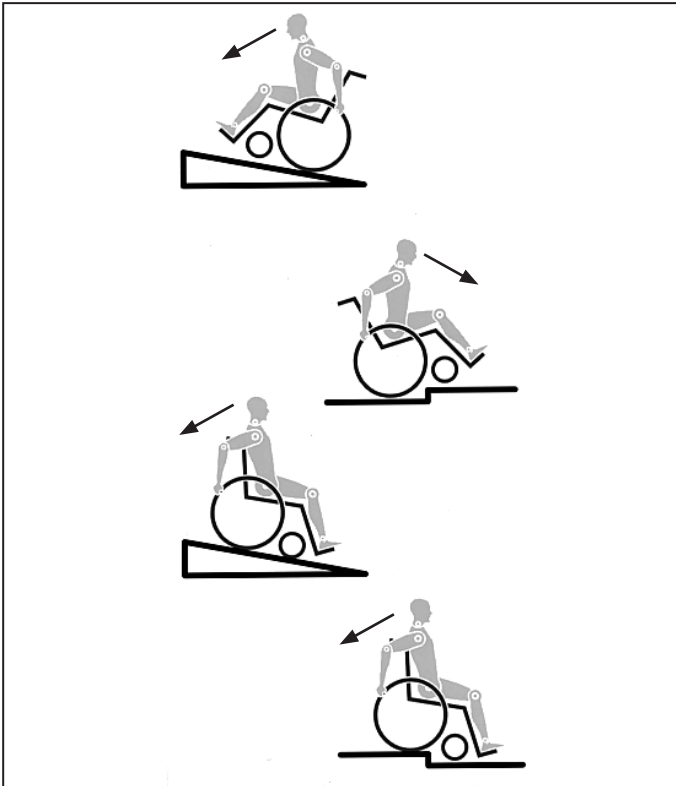
NOTE:

Please note that driving a wheelchair requires sufficient cognitive, physical and visual skills. The user must be able to assess the effects of actions during the operation of the wheelchair and, if necessary, to correct them. These capabilities and the safe use of the additionally attached components cannot be assessed by Sunrise Medical as a manufacturer. We cannot accept any liability for any damage resulting from this.

Please refer to the operating instructions of the wheelchair and the additionally mounted components. Instruct the user in the safe use of the wheelchair and the additionally mounted components. Inform users of specific warnings that need to be read, understood, and respected.

When considering provision, please also note the body size, weight, physical and psychological constitution, the age of the person, living conditions and environment.

1.0 General safety notes and driving limits



The engineering and construction of this wheelchair has been designed to provide maximum safety. International safety standards currently in force have either been fulfilled or exceeded in parts. Nevertheless, users may put themselves at risk by improperly using their wheelchairs. For your own safety, the following rules must be strictly observed.

Unprofessional or erroneous changes or adjustments increase the risk of accident. As a wheelchair user, you are also part of the daily traffic on streets and pavements, just like anyone else. We would like to remind you that you are therefore also subject to any and all traffic laws.

Be careful during your first ride in this wheelchair. Get to know your wheelchair.

Before each use, the following should be checked:

- Quick-release axles on the rear wheels
- Velcro on seats and backrests
- Tyres, tyre pressure and wheel locks.

Before changing any of the adjustments of this wheelchair, it is important to read the corresponding section of the user's manual.

It is possible that potholes or uneven ground could cause this wheelchair to tip over, especially when riding uphill or downhill. When riding forwards over a step or up an incline, the body should be leaning forward.



- NEVER exceed the maximum load of 125 kg for driver plus any items carried on the wheelchair. Please note the weight information for lighter weight options, which are quoted separately. If you exceed the maximum load, this can lead to damage to the chair, or you may fall or tip over, lose control and may lead to serious injury of the user and other people.
- When it is dark, please wear light clothing or clothing with reflectors, so that you can be seen more easily. Make sure that the reflectors on the side and back of the wheelchair are clearly visible. We would also recommend that you fit an active light.
- To avoid falls and dangerous situations, you should first practice using your new wheelchair on level ground with good visibility.

- When getting on or off the wheelchair, do not use the footboards. These should be flipped up beforehand and swung to the outside as far as possible. Always position yourself as close as possible to the place where you wish to sit.
- Only use your wheelchair properly. For example, avoid travelling against an obstacle without braking (step, kerb edge) or dropping down gaps.
- The wheel locks are not intended to brake your wheelchair. They are only there to ensure that your wheelchair does not begin rolling unintentionally. When you stop on uneven ground, you should always use the wheel locks to prevent such rolling. Always apply both wheel locks; otherwise, your wheelchair could tip over.
- Explore the effects of changing the centre of gravity on the behaviour of the wheelchair, for example on inclines, slopes, all gradients or when overcoming obstacles. Do this with the secure aid of a helper.
- With extreme settings (e.g. rear wheels in the most forward position) and less than perfect posture, the wheelchair may tip over even on a level surface.
- Lean your upper body further forward when going up slopes and steps.
- Lean your upper body further back when going down slopes and steps. Never try to climb and descend a slope diagonally.
- Avoid using an escalator which may lead to serious injury in the event of a fall.
- Do not use the wheelchair on slopes $> 10^\circ$. The Dynamic safe slope is dependant on the chair configuration, the users abilities and the style of riding. As the user's abilities and style of riding cannot be pre-determined then the max safe slope cannot be determined. Therefore this must be determined by the user with the assistance of an attendant to prevent tipping. It is strongly recommended that inexperienced users have anti-tip tubes fitted.
- It is possible that potholes or uneven ground could cause this wheelchair to tip over, especially when riding uphill or downhill.
- Do not use your wheelchair on muddy or icy ground. Do not use your wheelchair where pedestrians are not allowed.
- To avoid hand injuries do not grab in between the spokes or between the rear wheel and wheel lock when driving the wheelchair.
- In particular when using lightweight metal handrims, fingers will easily become hot when braking from a high speed or on long inclines.
- Riding sideways on to a slope or incline, increases the possibility of the wheelchair tipping over sideways.
- Only attempt stairs with the help of an attendant. There is equipment available to help you, e.g. climbing ramps or lifts, please use them. If there is no such equipment available, then the wheelchair must be tipped and pushed, never carried, over the steps (2 helpers). We recommend that users over 100 kg in weight do not use this stairway manoeuvre!
- In general, any anti-tip tubes fitted must be set beforehand, so that they cannot touch the steps, as otherwise this could lead to a serious tumble. Afterwards the anti-tip tubes must be set back to their correct position.
- Make sure that the attendant only holds the wheelchair using securely mounted parts (e.g. not on the footrests or the sideguards).
- This wheelchair is not designed for weight training and/or for the use of dumbbells. Only use devices which have been specifically designed for this purpose.
- Do not lift or carry the wheelchair by the backtubes or the pushhandles.
- When using the lifting ramp make sure that the anti-tip tubes fitted are positioned outside the danger area.

- Secure your wheelchair on uneven ground or when transferring, e.g. into a car, by using the brakes.
- If and whenever possible, during a journey in a specially fitted vehicle for disabled people, vehicle occupants should use the seats in the vehicle and the appropriate restraint system. This is the only way to ensure that occupants will have the maximum protection if there is an accident. When using safety elements offered by SUNRISE MEDICAL and using a specially designed safety system, lightweight wheelchairs can be used as a seat when being transported in a specially fitted vehicle. (See the Chapter on "Transportation").
- Depending on the diameter and setting of the castors, as well as the centre of gravity setting of the wheelchair, the castors may begin to wobble at high speeds. This can lead to the castors being blocked and the wheelchair may tip over. Therefore, please make sure that the castors are adjusted correctly (see the Chapter "Castors"). In particular, do not travel on an incline without brakes, travel at a reduced speed. We recommend that novice users use anti-tip tubes.
- Anti-tip tubes should prevent the chair tipping over backwards unintentionally. Under no circumstances should they take the place of transit wheels, and be used to transport a person in a wheelchair with the rear wheels removed.
- When reaching for objects (which are in front of, to the side or behind the wheelchair) make sure that you do not lean too far out of the wheelchair, as if you change the centre of gravity there is a risk of tipping or rolling over. The hanging of additional load (back pack or similar items) onto your chair backposts can affect the rearward stability of your chair, especially when used in combination with recliner backrests. This can cause the chair to tip backwards causing injury.
- Adjustments to your wheelchair, particularly to safety-related components must be carried out by an approved dealer. This applies to adjustments to wheel locks, anti-tip tubes, backrest angle and height, lower leg length, COG, lap belt, rear wheel toe-in and camber, seat height as well as toe-in and directional stability of the castor fork.
- When using mobility accessories fitted to the wheelchair such as handbikes, electronic power assist, etc, make sure that your wheelchair is fitted with the appropriate castor forks, approved for this use. Please contact your dealer if you have any questions.
- Do not fit any unauthorized electronic equipment, powered or mechanically operated mobility drives, hand-bike or any other device that changes the intended use or the structure of the wheelchair.
- Any combination with other medical devices requires the approval of Sunrise Medical.
- Please note that in certain configurations the wheelchair may exceed a width of 700 mm. If this is the case, under certain circumstances, it may not be possible to use some or all of the available escape routes from a building. It may be more difficult or impossible to travel on public transport.
- For thigh amputees you must use anti-tip tubes.
- Before setting off, check that your tyre pressure is correct. For rear wheels it should be at least 3.5 bar (350 kPa). The max. pressure is indicated on the tyre. The knee-lever brakes will only work if there is sufficient tyre pressure and if the correct setting has been made (see the Chapter on "Brakes").
- If the seat and back sling are damaged, you must replace them immediately.
- Be careful with fire, in particular with burning cigarettes. Seat and back slings can be set alight.
- If the wheelchair is subject to direct sunlight for a long period of time, then parts of the wheelchair (e.g. frame, legrests, brakes and sideguard) may become hot (>41°C).
- Always make sure that the quick-release axles on the rear wheels are set properly and lock in. If the button on the quick-release axle is not pressed in, the rear wheel cannot be removed.

 **WARNING!**

- The effect of the knee-lever brake as well as the general driving characteristics are dependent on tyre pressure. The wheelchair is significantly lighter and easier to manoeuvre when the rear wheels are pumped up correctly and both wheels have the same pressure.
- Make sure that your tyres have sufficient tread! Please note that you are subject to any and all traffic laws when driving in public traffic.
- Always be careful with your fingers when working or adjusting the wheelchair!

 **WARNING!**

CHOKING HAZARD – This mobility aid uses small parts which under certain circumstances may present a choking hazard to small children.

The wheelchairs shown and described in this user guide may not correspond in every detail exactly to your own model. However, all instructions are completely relevant, regardless of possible detail differences.

The manufacturer reserves the right to alter without notice any weights, measurements or other technical data shown in this manual. All figures, measurements and capacities shown in this manual are approximate and do not constitute specifications.

2.0 Handling

Quick-release axles on rear wheel

The rear wheels are equipped with quick-release axles. The wheels can thus be installed or removed without using tools. To remove a wheel, simply depress the quick-release button on the axle (1) and pull it out, (Fig. 2.1).



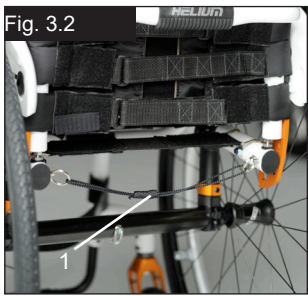
CAUTION!

Hold the quick-release button on the axle depressed when inserting the axle into the frame to mount the rear wheels. Release the button to lock the wheel in place. The quick-release button should snap back to its original position.

3.0 Transporting the wheelchair

Transporting the wheelchair

Removing the rear wheels will keep the wheelchair as compact as possible. The backrest can be folded down by pulling the cord (1) (see picture 3.2) located on the backrest (Fig. 3.1 and 3.2).



In this state the wheelchair can be lifted by the frame tubes and the seat sling. When transporting the unoccupied wheelchair in a vehicle, it should be tied down or strapped in.

4.0 Options

Step Tubes

Step Tubes

Step tubes are used by attendants to push a wheelchair over an obstacle. Simply step on the tube to push a wheelchair, for example, over a kerb or step.

WARNING!

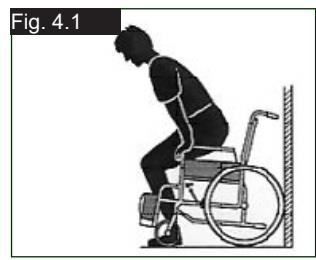
Sunrise Medical strongly recommends the use of a step tube on any model where attendant use is the predominant intended use. Damage to the backposts may occur if you constantly use the backpost without a step tube, as a lever to pull back on to tip the wheelchair.

Getting into your wheelchair on your own

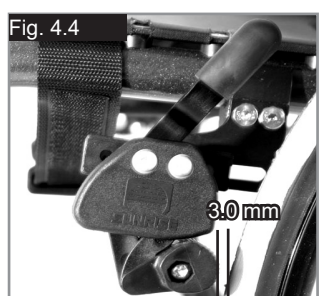
- Push the wheelchair to a wall or a solid piece of furniture
- Apply the brakes
- The user can lower themselves into the wheelchair
- Then position the feet in front of the heel straps (Fig. 4.1).

Getting out of your wheelchair on your own

- Apply the brakes
- With one hand on the wheel or side guard, the person should lean forwards slightly, to transfer the body weight to the front edge of the seat and then push up to an upright position with both feet firmly on the floor and one foot behind the other (Fig. 4.2).



Brakes



CAUTION!

Braking power can be affected by incorrect fitting and adjustment of the brakes, as well as tyre pressure which is too low.

Wheel Locks

The wheelchair is equipped with two wheel locks. They are applied directly against the tyres. To engage, press both wheel lock levers forward against the stops. To release the locks, pull the levers back to their original positions.

Braking power will decrease with:

- Worn tyre tread
- Tyre pressure that is too low
- Wet tyres
- Improperly adjusted wheel locks.

Brakes...

The wheel locks have not been designed to be used as brakes for a moving wheelchair. The wheel locks should therefore never be used to brake a moving wheelchair. Always use the handrims for braking. Make sure that the interval between the tyres and wheel locks complies with given specifications. To readjust, loosen screw and set the appropriate interval. Then re-tighten the screw (Fig. 4.3 and 4.4).

⚠ CAUTION!

After each adjustment of the rear wheels, check the interval to the wheel locks and readjust if necessary.

Brake lever extension

The longer lever helps to minimise the effort needed to set the wheel locks.

The brake lever extension is screwed to the brakes. By raising this, it can be flipped forward (Fig. 4.5).

⚠ CAUTION!

Mounting the wheel lock too close towards the wheel will result in a higher effort to operate. This might cause the brake lever extension to break!

Leaning onto the brake lever extension while transferring will cause the lever to break! Splashing water from tyres might cause the wheel lock to malfunction.

⚠ CAUTION!

Incorrect mounting of the wheel lock will result in a higher effort to operate. This might cause the wheel lock extension lever to break!

Compact Wheel Lock

Compact wheel locks are underneath the seat sling and are operated by pulling the wheel locks towards the rear, in the direction of the tyre. For the brakes to work properly, this must be pulled until it reaches the stops, (Fig. 4.6).

⚠ CAUTION!

The mounting bolts for the brakes must not be loosened and/or re-tightened.



The One-arm Wheel Lock

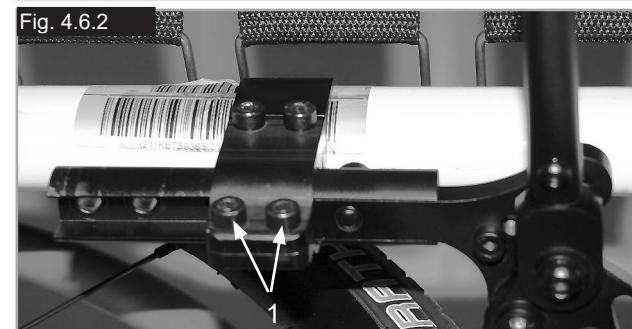
The one arm wheel lock is underneath the seat sling and is operated by pulling the brake lever, which is located on the left or right side, towards the rear, in the direction of the tyre. For the brakes to work properly, this must be pulled until it reaches the stop, (Fig. 4.6.1)

Adjustment

To adjust the brake, loose the screws (1) and mount the wheel lock where it will work in a proper way (Fig. 4.6.2).

⚠ CAUTION!

Incorrect mounting of the one arm wheel lock can lead to serious injury of the user and other people.



Suspension System

⚠ WARNING!

Rear suspension can affect the stability of the wheelchair. To avoid a fall, use a spotter and/or anti-tip tubes when becoming familiar with new equipment.

1. Tuning the 4-Link Rear Suspension

- to stiffen the suspension, turn the spring preload adjuster (E) clockwise (looking up at the suspension system from underneath the wheelchair).
- to soften the suspension, turn the spring preload adjuster (E) counter-clockwise (looking up at the suspension system from underneath the wheelchair).

2. Alignment of Suspension Link Arms

Do not adjust the link arms (F, Fig. 4.10). These are set at the factory to ensure proper tracking and performance of the 4-Link Rear Suspension system. (see next page).

Setting the toe-in/toe-out to zero (with the adjusting device installed in the factory)

Loosen the Allen screws (G) (2 on each side) which are used to secure the axle tube on both sides. Observe the ball in the transparent adjuster in the centre of the axle tube, then turn the axle tube (C), until the ball is exactly centred at the lowest point of the adjuster. The toe is now set at zero (Fig. 4.7, 4.10).

Before re-tightening the screws (G), check that the flat surfaces of the wheel camber adapter in the axle tube protrude from the clamp of the axle tube. The end of the cylindrical camber adapter should be flush with the end of the axle tube. Tighten the screws to a torque of 7 Nm.

Setting the toe-in/toe-out to zero (using a 90° setting gauge)

Place the entire wheelchair on a flat horizontal table or ground surface. Loosen the Allen screws (G) (2 on each side) which are used to secure the axle tube on both sides.

Then put the setting gauge at an angle of exactly 90° (e.g. a carpenter's square) on the flat surfaces of the camber adapter (D) (Fig. 4.8, Fig. 4.9). Then turn the axle tube until the surfaces of the wrench are entirely parallel to the upper surface of the setting gauge (Fig. 4.8).

Before re-tightening the screws (G), check that the flat surfaces of the wheel camber adapter in the axle tube protrude from the clamp of the axle tube. The end of the cylindrical camber adapter should be flush with the end of the axle tube. Tighten the screws to a torque of 7 Nm.

⚠ CAUTION!

When turning the 4-Link Rear Suspension, always make one change at a time and write down the change. This takes patience, but allows you to understand how each change affects the ride of the wheelchair in conjunction with rear suspension.

NOTE – The lower shock mount is designed to have a loose feel, this is by design to allow for proper suspension travel.

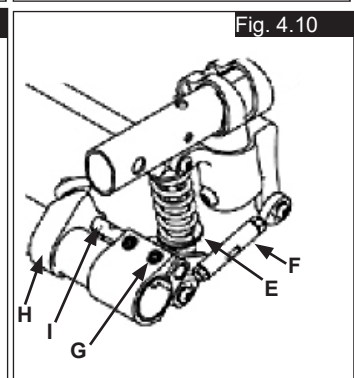
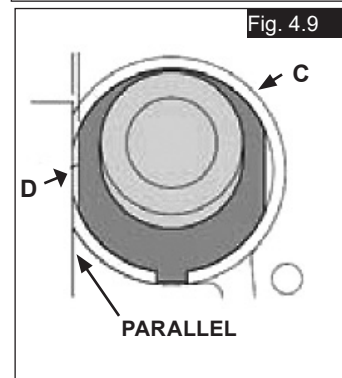
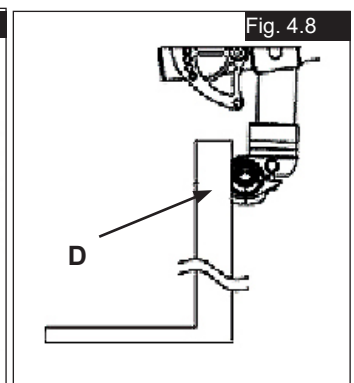
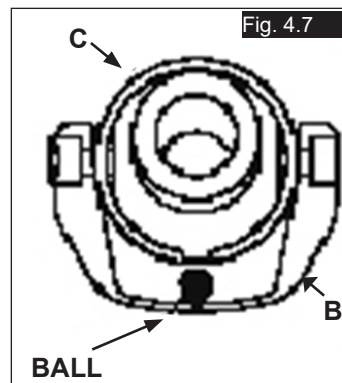
⚠ CAUTION!

The screw connection between the axle clamp and the shock absorber should never be loosened.

3. Maintenance

The following maintenance work must be carried out, along with the general maintenance tasks described in section 6.0.

- do not apply lubrication to shock end bushings or coils.
- you can apply lubrication to the link ends after cleaning with a mild soap and soft brush.
- use a soft brush to clear any dirt or debris from coil system.
- never use a high-powered washer for cleaning the 4-Link Rear Suspension.



Setting the centre of gravity for Krypton R

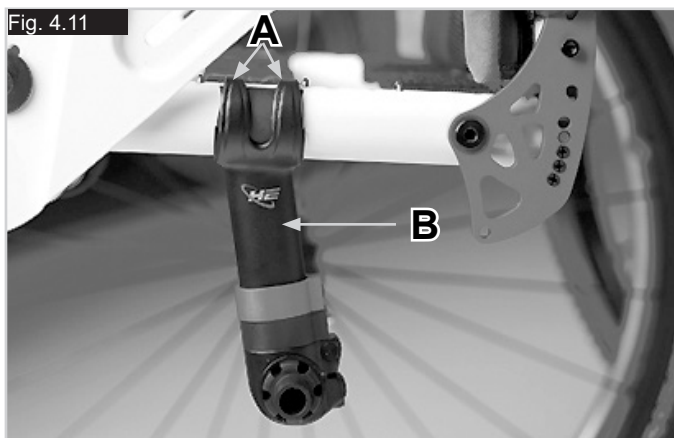
Remove the rear wheels. Undo both Allen screws (A) on the upper side of the axle mount (B) on both sides of the wheelchair (Fig 4.11). Then push the complete unit out of the axle and push both axle mounts forwards on the frame (in the direction of travel) for a more active COG, or backwards for a more passive, stable COG. Tighten the screws (A) on both sides, with a torque of 5 Nm. Then adjust the sides and brakes to the new wheel position.

 **CAUTION!**

Please note that the tipping behaviour of the wheelchair will change if the COG has been changed. This may mean that you need to use anti-tip tubes.

 **DANGER!**

Brakes must be adjusted to suit the new position.



Footplate Adjustment

Adjusting The Footrest

WARNING!

- Do not stand on the footboard! Even if the user is sitting in the chair, there is still a risk of tipping over and injury.
- When transferring, do not stand on the footboard, there is a risk of tipping over and injury.

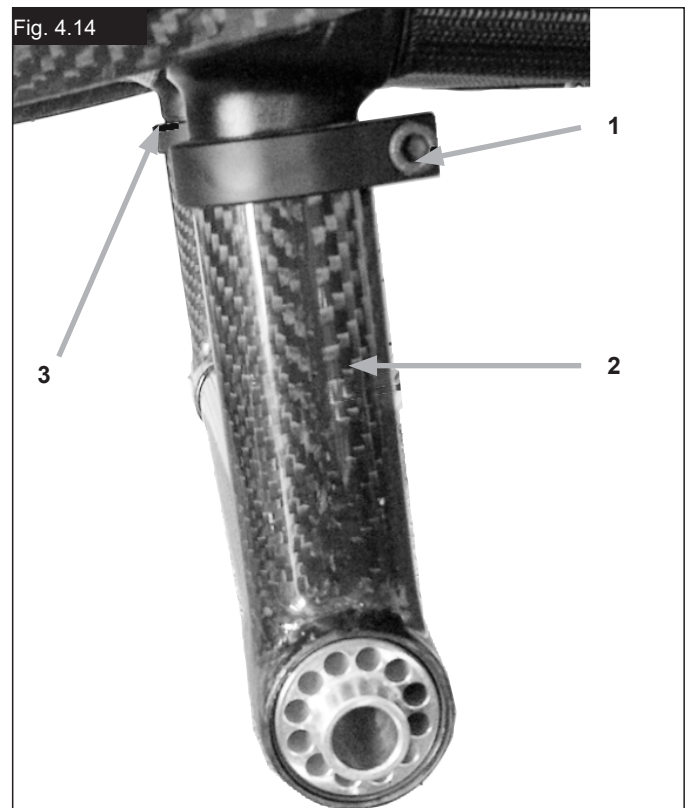
Releasing the screw (1) will allow you to adjust the footrest to correspond to the length of your lower leg and re-attach the footrest. The angle of the footrest may be individually adjusted by loosening screws (2). The side protection (3) on the footrest prevents the feet slipping off accidentally. Make sure that after any adjustment work, all screws are tightened correctly (see the page on torque) (Fig. 4.12 - 4.13).



Seat

Adjusting the seat height

To adjust the rear seat height, undo the Allen screws (1) on the axle brackets (2) on both sides of the wheelchair. To reduce the seat height by 10 mm, remove the spacer (3). To increase the seat height by 10 mm, insert an additional spacer (included in the scope of delivery). Then re-tighten both Allen screws with a torque of 7 Nm. (Fig. 4.14)



Castors

Castor, Castor adapter, Castor fork

From time to time the wheelchair may veer slightly to the right or left or the castors may flutter. This may be caused by the following:

- Forward and/or reverse wheel motion has not been set properly.
- The castor angle has not been adjusted properly.
- Castor and/or rear wheel air pressure is incorrect; wheels do not turn smoothly.

The optimum adjustment of the castors is required so that the wheelchair runs in a straight line.

The castor plates must be re-adjusted, and the wheel locks must be checked every time the rear wheel position has been altered.

Adjusting the castor

To ensure that both forks are set parallel, simply count the teeth visible on both sides. After setting the castor fork, the teeth will guarantee a secure position, allowing an adjustment of 16° in 2° increments. Use the flat side on the front of the castor fork to check for a right-angled position to the ground (Fig. 4.15). The patented design allows the castor fork to be turned, so that it can be reset at right-angles to the ground when the seat angle is changed.

Setting the directional stability

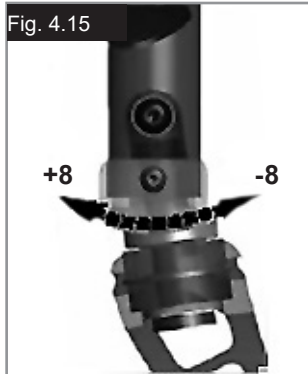
Release the Allen screws (1) on the underside of the fork. You can then undo the screw (2). You can now turn the black socket (3) left or right.

Left – chair pulls to the left

Right – chair pulls to the right

Then tighten up the screw (2) again. Please set a 90° angle from the fork to the floor.

Now tighten up the screw (1) again. (Fig. 4.16).



Wheel Alignment

Adjusting the wheel alignment

Important: To achieve the very best movement, the rear wheels must be adjusted to their optimum position, which means correctly adjusting the wheel alignment.

To do this, at the same height measure the distance between both wheels front and rear to ensure that they are parallel to one other.

The difference between both measurements should not exceed 5 mm. If the distance is greater, follow the instructions below to adjust the track.

Krypton R tracking adjustment

Setting the toe-in/toe-out to zero

NOTE: A wheelchair with 0° axle adapters cannot have a toe-in or toe-out. This alignment is only necessary for 3° and 6° axle adapters.

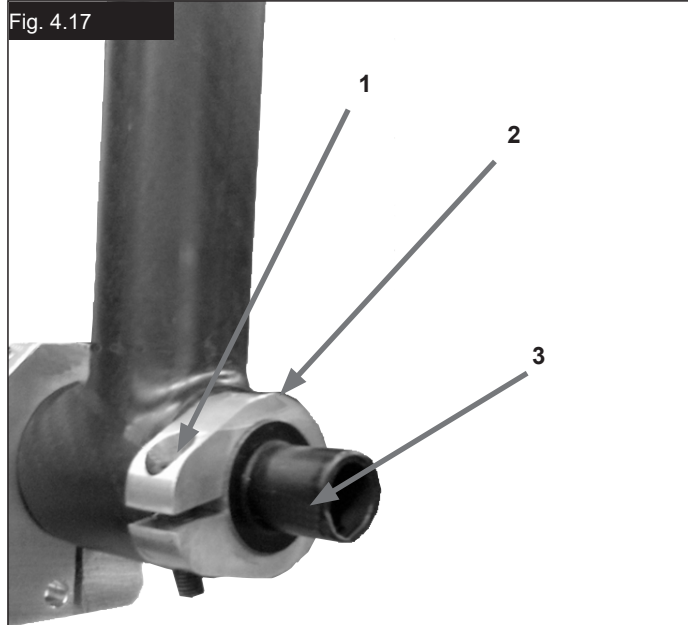
The term "toe-in or toe-out" defines how the rear wheels of the chair are aligned in relation to the ground. This determines how well the wheelchair will run. Normal resistance or rolling resistance is present when the wheelchair has neither toe-in nor a toe-out setting.

To set toe-in/toe-out to zero: Undo the Allen screw (1) which secures the clamp (2) of the axle adapter (3) on both sides of the wheelchair. The wrench flats which are attached to the axle adapter (3) must be at an angle of exactly 90° to the ground. To do this, use an adjustment gauge (e.g. a carpenter's square) which has an angle of 90°. Then turn the axle adapter (3) until the wrench flat is exactly parallel to the setting gauge. Carry out these adjustments on both sides. Then re-tighten the Allen screws (1) of the clamp (2) on both sides of the wheelchair with a torque of 5 Nm. (Fig. 4.17).

Adjusting the track width (only possible with 3° and 6° camber):

The rear track width is defined as the distance between the rear wheels, and is adjusted in the factory so that the distance between the drive wheel and the side part is approx. 12 mm.

To adjust the track width at the rear, unscrew the Allen screw (1) on the clamp (2) of the axle adapter (3) and pull the axle adapter (3) further out of the axle tube or push it into the axle tube, to increase or reduce the track width, until the desired width is reached. Then re-tighten the Allen screws (1) of the clamp (2) on both sides of the wheelchair with a torque of 5 Nm. (Fig. 4.17). Repeat this process on the other side. Always make sure that the axle adapters have been adjusted the same on both sides.



Backrest

Angle-adjustable back

The backrest angle is adjusted by altering the position of the pin in the backrest mounting. The pin (1) must be completely clicked into place in the hole pattern on both sides, this gives you an angle adjustment of 8.5°.

Fit the red plastic pins into the unused holes. To achieve a smaller angle increment (3.5°), you open the Allen key screw (2) and re-set the screw into the second hole. Please use the relevant torque force (see matrix) to tighten the screw (2). This gives you 12° change in the back angle. Then move the pin (1) in the opposite direction to the next hole, which gives you 12° - 8° = 3.5° change. (Fig. 4.18)

To reduce the play in the backrest, the nut (1) can be released, then the optimal position can be set using the set screw (2). Then re-tighten the nut (1). (Fig. 4.19).



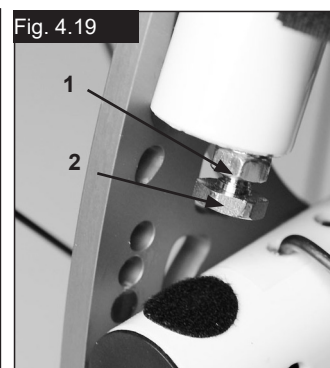
The screws must be re-tightened. Otherwise the angle adjustment will be lost.

Folding backrest

Release the backrest by pulling the cord. At the same time, push it forward to fold it down. To return the backrest to its original position, this must be pulled back as far as possible until it locks into place on both sides.



When folding the backrest down, please make sure that your fingers do not get caught.



Adjustable Back Sling

The adjustable back sling can be adjusted for tension by using several straps.

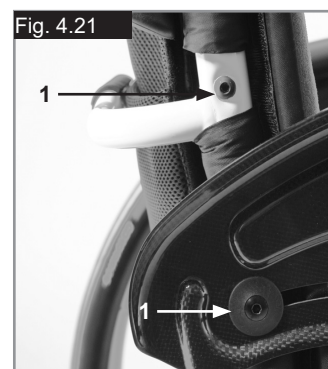
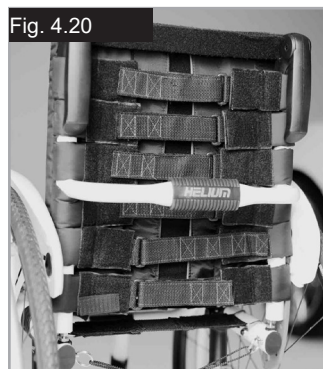
The back sling upholstery can be accessed from the inside via an opening and can be padded to suit individual tastes, (Fig. 4.20).

Height-adjustable backrest

The backrest may be set to various back heights, in 25 mm steps. The adjustment ranges are 250 - 300 mm, 300 - 350 mm, 350 - 400 mm and 400 - 450 mm. Release the screws (1+2) and set the backrest to the desired height. Tighten up the screws again (see the page on torque). (Fig. 4.21)



Please note that the tipping behaviour of the wheelchair will change if the backrest angle or backrest upholstery has been changed. This may mean that you need to use anti-tip tubes.



Sideguards

Central support

Installation: Slide the arm post into the receiver, located on the wheelchair frame, until it stops

Height adjustment:

Slide the armrest post out of the receiver.

Adjust the position of the height adjustment bracket (1) by removing the screw (2) and moving it to the desired position. Re-fit the screw and tighten it.

Slide the arm rest post back into the receiver, (Fig. 4.22).

Armpad Position:

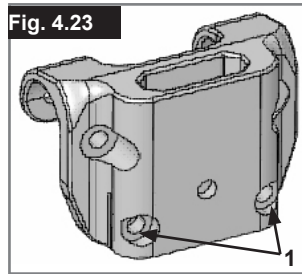
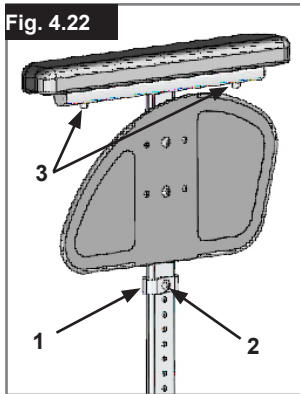
The armpad position can be adjusted by releasing the screws (3), then moving the arm pad to the desired position. Re-tighten the screws, (Fig. 4.22).

Adjusting Armrest Receiver

The tightness of the armrest receiver can be adjusted (tightened/loosened) by means of the 2 screws (1) - (Fig. 4.23).

Parts key

1. Outer armrest
2. Height Release Lever
3. Release lever



Push handle

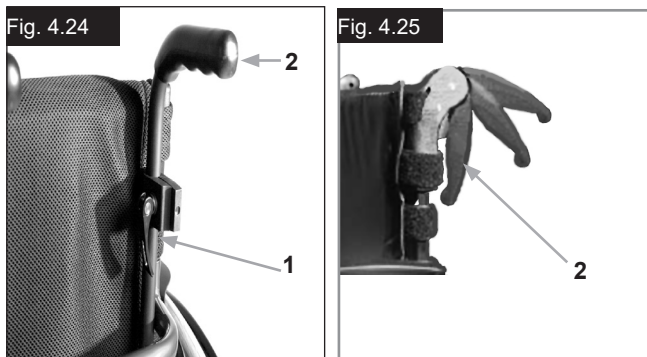
Height-adjustable push handles

These handles are secured with pins to prevent them from sliding out unintentionally. Opening the quick-release lever (1) makes it possible to adjust the height of the push handles (2) to meet your individual needs. As you move the lever, you will hear a locking mechanism; you may now easily position the push handle as desired. The nut on the tension lever determines how tightly the push handles are clamped into place. If the nut is loose after adjusting the tension lever, the push handle will also be too loose. Turn the push handle from side to side before use to make sure that it is clamped securely enough into place. After adjusting handle height, always clamp the tension lever (1) securely into place. If the lever is not secure, injuries could result when ascending stairs. (Fig. 4.24).

NOTE – If the height-adjustable push handles are not fitted properly, there is a risk that these will develop "play" or that they move out of position. Please make sure that the relevant screws are tightened correctly.

Folding push-handles

If the push handles are not in use, they can be folded down by depressing the button (2). When they are needed again, simply flip them back up until they click into place. (Fig. 4.25).

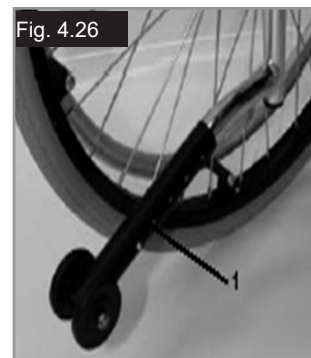


2. Adjusting Anti-Tip Tubes

To achieve the correct ground clearance of approx. 1" to 2" (25 mm to 50 mm), the anti-tip tubes must be raised or lowered. Press the anti-tip tube release button, so that both release pins are drawn inwards. Move the inner tube up or down to slot into the height holes provided. Release the button. Fit the second anti-tip tube in the same way. Both wheels should be at the same height. (Fig. 4.26).



Sunrise Medical Recommends Use Of Anti-Tip Tubes:
If the anti-tip tubes are not fitted, or have been fitted incorrectly, there is a risk of tipping over and of injury.



Active Anti-Tip tube/Flip Up

The active anti-tip tube is mounted on the left or right side of the axle tube. By pushing it towards the axle tube, it can be flipped downwards for operation, (Fig. 4.27).



Make sure that the anti-tip tube will lock in the final position. An unlocked active anti-tip tube can lead to serious injury of the user.

Anti-tip tubes



Sunrise Medical recommends anti-tip tubes for all chairs. When fitting anti-tip tubes, use a torque of 7 Nm.

1. Slotting the anti-tip tubes into the clamp:

- press the rear button on the anti-tip tube on the anti-tip tube adaptor, so that both release pins are drawn inwards.
- slot the anti-tip tubes (1) into the anti-tip tube adapter.
- turn the anti-tip tubes downwards until the release pin locks into the clamp.
- fit the second anti-tip tube in the same way.



Crutch Holder

Crutch Holder

This device permits crutches to be transported directly on a wheelchair. It has a Velcro loop to fasten crutches or other aids.

CAUTION!

Never try to use or even remove the crutches or other aids while moving.

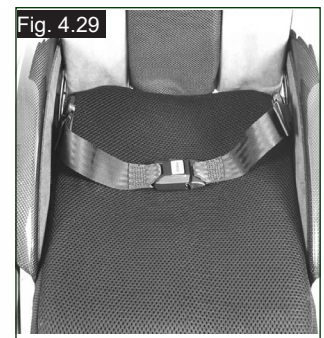
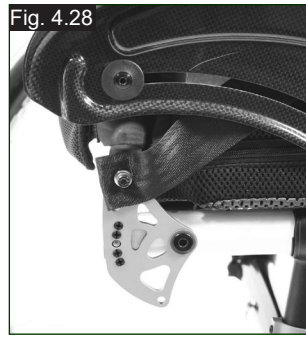
Pelvic Restraint Belt

DANGER!

- Before using your wheelchair ensure the lap belt is worn.
- The lap belt must be checked on a daily basis to ensure it is free from any obstruction or adverse wear.
- Always make sure that the lap strap is correctly secured and adjusted prior to use. If the strap is too loose it could cause the user to slip down and risk suffocation or cause serious injury.

The lap belt is fitted to the wheelchair as shown in the illustrations. The seat belt comprises 2 halves. They are fitted using the existing seat stay retaining bolt fitted through the eyelet on the belt. The belt is routed under the rear of the side panel. (Fig. 4.28)

Adjust the belt position so buckles are in the centre of the seat. (Fig. 4.29)



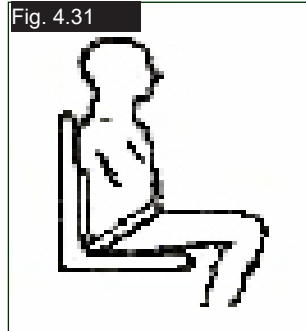
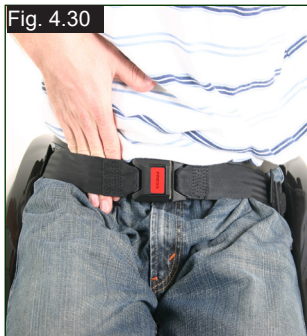
Adjust lap belt to suit the user's needs as follows:



To reduce the belt length	To increase the belt length
<p>Feed free belt back through male buckle and slide adjusters. Ensure belt is not looped at male buckle.</p>	<p>Feed free belt through slide adjusters and male buckle to provide more belt length.</p>

When fastened check space between the pelvic restraint belt and user. When correctly adjusted it should not be possible to insert more than the flat of the hand between the lap belt and the user. (Fig. 4.34)

Pelvic Restraint Belt...


The lap belt should be fixed so that the belt sits at an angle of 45 degrees across the user's pelvis. The user should be upright and be as far back as possible in the seat when correctly adjusted. The lap belt should not allow the user to slip down in the seat.
(Fig. 4.30)



	
<p>To fasten buckle: Firmly push male buckle into female buckle.</p>	<p>To release belt: Press exposed sides of male buckle and push towards centre whilst gently pulling apart.</p>

!WARNING!

- If in doubt about the use and operation of the lap belt then ask your healthcare professional, wheelchair dealer, carer or attendant for assistance.
- If you want to retrofit a lap belt, then please contact your authorised Sunrise Medical dealer.
- The lap belt must be checked on a daily basis to ensure it is adjusted correctly and free from any obstruction or adverse wear.
- Sunrise Medical does not encourage the transportation of any person in a vehicle using this lap belt as a method of restraint.

 Please see Sunrise Medical transit booklet for further advice on transportation.

Maintenance:

Check lap belt and securing components at regular intervals for any sign of fraying or damage. Replace if necessary.

!WARNING

The lap belt should be adjusted to suit the end user as detailed above. Sunrise Medical recommends that the length and fit of the belt be checked on a regular basis to reduce the risk of the end user inadvertently re-adjusting the belt to an excessive length.

5.0 Tyres and Mounting

Solid rubber tyres are standard. With pneumatic tyres always make sure that the tyres have the correct air pressure, as otherwise the performance of the wheelchair may be affected. If the tyre pressure is too low, rolling resistance will increase, requiring more effort to move the chair forward. Low tyre pressure also has a negative impact on manoeuvrability. If the tyre pressure is too high, the tyre could burst. The correct pressure for a given tyre is printed on the surface of the tyre itself.

Tyres can be mounted the same way as an ordinary bicycle tyre. Before installing a new inner tube, you should always make sure that the base of the rim and the interior of the tyre are free of foreign objects. Check the pressure after mounting or repairing a tyre. It is critical to your safety and to the wheelchair's performance that regulation air pressure be maintained and that tyres are in good condition.

6.0 Maintenance and care

- Check the tyre pressure every 4 weeks. Check all tyres for wear and damage.
- Check the brakes approximately every 4 weeks to make sure that they are working properly and are easy to use.
- Change tyres as you would an ordinary bicycle tyre.
- All of the joints that are critical to using your wheelchair safely are self-locking nuts. Please check every three months to make sure that all bolts are secure (see the section on torque). Safety nuts should only be used once and should be replaced after use.
- Please use only mild household cleansers when your wheelchair is dirty. Use only soap and water when cleaning the seat upholstery.
- You should only use genuine parts approved by Sunrise Medical. Do not use parts from other manufacturers, that have not been by authorised by Sunrise Medical.

6.0 Maintenance and care...

- If your wheelchair should ever get wet, please dry it afterwards.
- A small amount of sewing-machine oil should be applied to quick-release axles approximately every 8 weeks. Depending on the frequency and type of use, we recommend taking your wheelchair to your authorised dealer every 6 months to have it inspected by trained personnel.
- If you want to store the wheelchair for a long period of time, then no further measures are required. Make sure that the wheelchair is stored at room temperature in a dry place which is protected from strong sunlight. Before using it again, the wheelchair should be checked by an authorised dealer.

CAUTION!

Sand and sea water (or salt in the winter) can damage the bearings of the front and rear wheels. Clean the wheelchair thoroughly after exposure.

The following parts can be removed and sent back to the manufacturer/dealer for repair:

- Rear wheels
- Armrest
- Anti-Tip tubes

These components are available as spare parts. For further information, please see the spare parts catalogue.

Hygiene measures when being re-used:

Prior to the wheelchair being re-used, it must be carefully prepared. All surfaces which come into contact with the user must be treated with a disinfection spray.

To do this, you must use a disinfectant as authorised/ recommended in your country, for rapid alcohol-based disinfection for medical products and medical devices, which must be disinfected quickly.

Please be aware of the manufacturer's instructions for the disinfectant you are using.

In general, a complete disinfection cannot be guaranteed on seams. We therefore recommend that you dispose of seat and back slings to avoid micro-bacterial contamination with active agents according to your local infection protection law.

7.0 Disposal / Recycling of Materials

If the wheelchair has been made available to you free of charge, then it does not belong to you. If it is no longer required, then follow the instructions to return it as given by the organisation that made the wheelchair available to you.

In the following section, there is a description of the materials used on the wheelchair, in view of the disposal or recycling of the wheelchair and its packaging.

Particular regulations with regard to disposal or recycling may be in force locally and these must be taken into account when performing disposal. (This can include the cleaning or decontamination of the wheelchair prior to disposal).

Aluminium: Castor forks, wheels, chair sideguards, armrest frame, footrest, push handle.

Carbon fibre: Frame tubes, axles, axle brackets, back tubes.

Steel: securement points, quick-release axle

Plastic: Handgrips, tube plugs, castor wheels, footplates, armpads and 12" wheel/tyre

Packaging: Plastic bags made of soft polyethylene, cardboard

Upholstery: Woven polyester with PVC coatings and expanded combustion modified foam.

Disposal or recycling should be done through a licensed agent or authorised place of disposal. Alternatively your wheelchair may be returned to your dealer for disposal.



8.0 Trouble-shooting

Wheelchair pulls to one side

- Check tyre pressure
- Check to make sure wheel turns easily (bearings, axle)
- Check the castor angle
- Check to make sure both castors are making proper contact with the ground.

Castors begin to wobble

- Check the castor angle
- Check to make sure all bolts are secure; tighten if necessary (see the section on torque)
- Check to make sure both castors are making proper contact with the ground.

Wheelchair / Cross-tube assembly does not snap into position in the seat saddle

- Chair is still new, i.e., the seat or backrest upholstery is still very stiff. This will improve with time.

Wheelchair is difficult to fold up:

- Adjustable backrest upholstery is too stiff. Loosen it accordingly.

Wheelchair squeaks and rattles

- Check to make sure all bolts are secure; tighten if necessary (see the section on torque)
- Apply small amount of lubrication to spots where movable parts come into contact with one another

Wheelchair begins to wobble

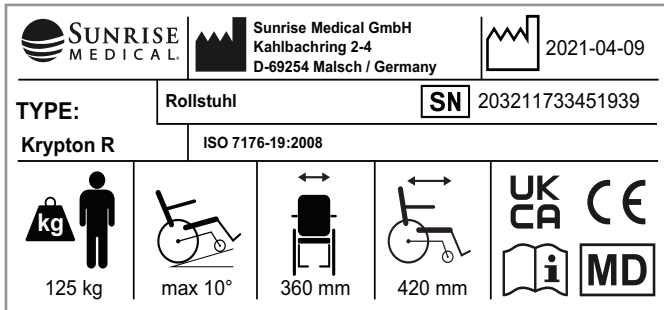
- Check angle at which castors are set
- Check tyre pressure
- Check to see if rear wheels are adjusted differently.

9.0 Nameplate

Name Plate

The nameplate is located on either the cross-tube assembly or the transverse frame tube, as well as on a label in the owner's manual. The nameplate indicates the exact model designation and other technical specifications. Please provide the following pieces of information whenever you have to order replacement parts or to file a claim:

- Serial number
- Order number
- Month/Year



TYPE:	Product Name/SKU Number.
	Maximum safe slope with anti-tip tubes fitted, Depends on wheelchair setting, posture and physical capabilities of the user.
	Seat width.
	Seat depth.
	Load Maximum.
	UKCA Mark.
	CE Mark.
	Consult instructions for use.
	XXXX-XX-XX Date of manufacture.
	Serial number.
	This symbol means Medical Device.
	Manufacturer's address.
	Crash tested according to ISO 7176-19:2008.
	Importer's address
	UK Responsible Person
	Swiss Representative's address

10.0 Warranty

YOUR LEGAL RIGHTS ARE NOT LIMITED BY THIS GUARANTEE.

Sunrise Medical* guarantees a warranty to their clients for all wheelchairs in accordance with the following guarantee conditions.

Warranty conditions

1. If a part or parts of the wheelchair require repair or exchange as a consequence of a manufacturing defect within 24 months after delivery to the purchaser, then the affected part or parts will be repaired or replaced for free. The guarantee exclusively covers manufacturing defects.
2. Please immediately inform Sunrise Medical customer service and provide a precise description of the problem to claim the warranty. Should you be using the wheelchair outside the area covered by the Sunrise Medical customer service agent, repairs or replacement will be carried out by another agency as designated by the manufacturer. The wheelchair must be repaired by a customer service centre/dealer designated by Sunrise Medical.
3. For parts, which have been repaired or exchanged within the scope of this warranty, we provide a warranty in accordance with these warranty conditions for the remaining warranty period for the wheelchair in accordance with point 1.
4. For original spare parts which have been fitted at the customer's expense, these will have a 12 months guarantee following the fitting, in accordance with these warranty conditions.
5. Claims from this warranty shall not arise, if a repair or replacement of a wheelchair or a part is required for the following reasons:
 - a. Normal wear to components such as batteries, arm rests, seat and back rests, cushions, tyres, brakes etc.
 - b. Overload of the product, please check the maximum permitted load of the product on the name plate.
 - c. The product or part has not been maintained or serviced in accordance with the manufacturer's recommendations as shown in the User Instructions and/or the Service Instructions.
 - d. Accessories have been used which are not specified as original accessories.
 - e. The wheelchair or part having been damaged by neglect, accident or improper use.
 - f. Changes/modification to the wheelchair or parts, which deviate from the manufacturer specification.
 - g. Repairs have been carried out, before our Customer Service has been informed of the circumstances.
6. This guarantee is subject to the law of the country in which the Sunrise Medical product was purchased.

* Means the Sunrise Medical facility from which the product was purchased.

Additional Notes For Australia Only:

- i. For goods provided by Sunrise medical Pty Ltd in Australia, our goods come with a guarantee by Sunrise Medical that cannot be excluded under Australian Consumer Law.
- ii. You are entitled to a replacement or refund for a major failure and for compensation for any foreseeable loss or damage.
- iii. You are also entitled to have the goods repaired or replaced if the goods fail to be of acceptable quality and the failure does not amount to a major failure.
- iv. The benefits to you given by this warranty are in addition to your other rights and remedies under a law in relation to the goods to which the warranty relates.

11.0 Technical Data

Total width:

With standard wheels 635 mm (25"), incl. handrims with 6° camber: SW + 300 mm

Overall length: 840 mm with SD 48

Total height: 950 mm with BH 45

Weight in kg: from 6.2 kg

Maximum load:

Krypton R 125 kg

Seat heights:

The choice of frames, forks and castors, as well as the rear wheel size 610 mm - 635 mm, (24", 25") determines the seat heights which can be achieved.

Norm		Min.	Max.	Norm		Min.	Max.
	Overall length with footrest	700 mm	840 mm		Seat surface angle	0°	15°
	Overall Width	620 mm	760 mm		Effective seat depth	340 mm	480 mm
	Folded length	N/A	N/A		Effective seat width	320 mm	460 mm
	Folded width	N/A	N/A		Seat surface height at front edge	430 mm	570 mm
	Folded Height	N/A	N/A		Backrest angle	69°	105°
	Total Mass	6.4 kg	13.0 kg		Backrest height	250 mm	450 mm
	Slope/gradient for the wheel locks	0°	7°		turning radius		700 mm
	Mass of the heaviest part	-	2.1 kg with 24" rear wheel *		Distance from the footrest to the seat	360 mm	520 mm
	Static stability downhill	10°	10°		Angle from leg to seat	92°	100°
	Static stability uphill with anti-tip tubes	10°	10°		Distance from the armrest to the seat	N/A	N/A
	Static stability sideways	10°	10°		Front location of armrest structure	N/A	N/A
	Dynamic stability - uphill power consumption	N/A	N/A		Handrim diameter	540 mm	567 mm
	Overcoming obstacles	N/A	N/A		Horizontal location of axle	20 mm	104 mm

*Standard wheel with stainless steel handrim

The wheelchair conforms to the following standards:

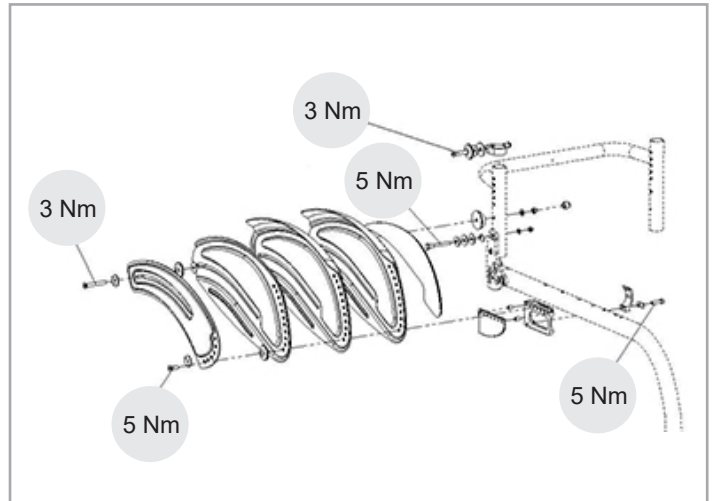
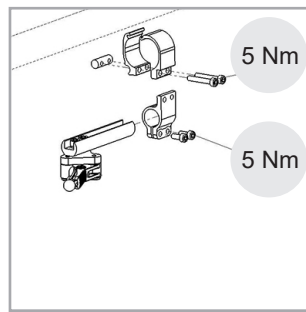
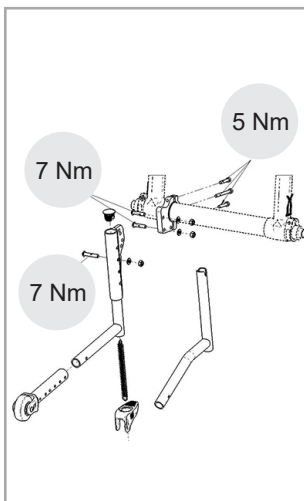
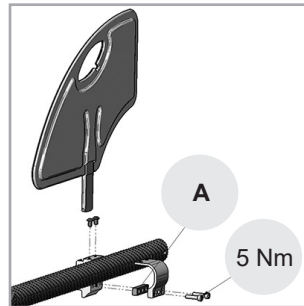
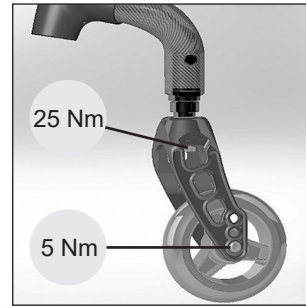
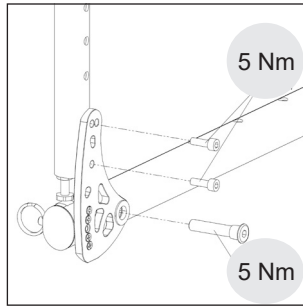
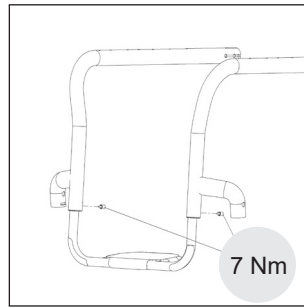
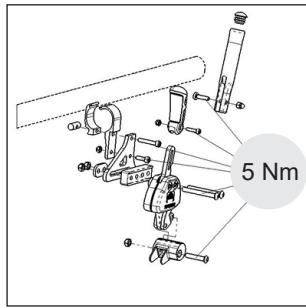
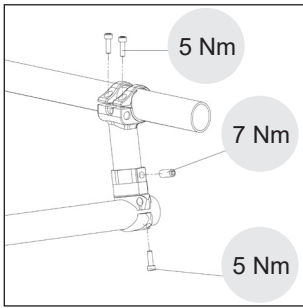
- | | |
|--|------|
| a) Requirements and tests for static strength, impact resistance and fatigue strength (ISO 7176-8) | Yes |
| b) Drive and control systems for power wheelchairs, requirements and test (ISO 7176-14) | n.a. |
| c) Environmental test in accordance with ISO 7176-9 | n.a. |
| d) Flammability resistance of upholstered parts in accordance with ISO 7176-16 (EN 1021-1/2) | Yes |

Technical Data >>>

Castor	Fork	Frame Type	Front seat height in mm	Rear seat height in mm
3" (76.2 mm)	98 mm x 32 mm	low	430	430 - 300
			440	440 - 310
			450	450 - 320
		high	470	470 - 340
			480	480 - 350
			490	490 - 360
	111 mm x 32 mm	low	440	440 - 310
			450	450 - 320
			460	460 - 330
		high	480	480 - 350
			490	490 - 360
			500	500 - 370
4" (101.6 mm)	98 mm x 32 mm	low	440	440 - 310
			450	450 - 320
			460	460 - 330
		high	480	480 - 350
			490	490 - 360
			500	500 - 370
	111 mm x 32 mm	low	450	450 - 320
			460	460 - 330
			470	470 - 340
		high	490	490 - 360
			500	500 - 370
			510	510 - 380
	111 mm x 45 mm	low	450	450 - 320
			460	460 - 330
			470	470 - 340
		high	490	490 - 360
			500	500 - 370
			510	510 - 380
	123 mm x 45 mm	low	450	450 - 320
			460	460 - 330
			470	470 - 340
			480	480 - 350
		high	490	490 - 360
			500	500 - 370
510			510 - 380	
520			520 - 370	

Castor	Fork	Frame Type	Front seat height in mm	Rear seat height in mm
5" (127 mm)	98 mm x 32 mm	low	460	460 - 330
			470	470 - 340
		high	500	500 - 370
			510	510 - 380
	111 mm x 32 mm	low	460	460 - 330
			470	470 - 340
			480	480 - 350
		high	500	500 - 370
			510	510 - 380
			520	520 - 390
	111 mm x 45 mm	low	470	470 - 340
			480	480 - 350
		high	510	510 - 380
			520	520 - 390
	123 mm x 45 mm	low	470	470 - 340
			480	480 - 350
			490	490 - 360
			500	500 - 370
high		510	510 - 380	
		520	520 - 390	
		530	530 - 400	
		540	540 - 410	
6" (152.4 mm)	123 mm x 45 mm	low	500	500 - 370
			510	510 - 380
		high	540	540 - 410
			550	550 - 420

12.0 Torque



A To avoid damage to the Carbon tube, ensure that the spacer is in place.

TORQUE.

NOTE: Wherever torque settings are specified, it is strongly recommended that a torque meter (not included), is used to verify correct torque specification is achieved.
If no other information is given, the generic torque for M6 screws is 7 Nm.





CAUTION: Some of the screws that are used in manufacture have a thread lock (blue dot on the threads) and can only be loosened and tightened again a maximum of three times, then they must be replaced by new screws. You could also apply Loctite™ 243 screw lock to the screws and then refit them.

Sommaire

Sommaire	26
Définitions	26
Avant-propos	27
Utilisation	27
Champ d'application.	28
1.0 Consignes générales de sécurité et limites de conduite	29
2.0 Manipulation	31
3.0 Transport du fauteuil	31
4.0 Options	31
Leviers de basculement	31
Freins	31
Mécanisme de suspension	33
Réglage du centre de gravité du fauteuil Krypton R.	34
Réglage de la palette	35
Siège	35
Roues avant	36
Alignement des roues	36
Dossier	37
Protège-vêtements	38
Poignée de poussée	39
Roulettes anti-bascule	39
Porte-canne	40
Ceinture pelvienne	40
5.0 Pneus et montage des pneus	41
6.0 Maintenance et entretien	41
7.0 Mise au rebut / Recyclage des matériaux	42
8.0 Dépannage	42
9.0 Plaque signalétique	43
10.0 Garantie	43
11.0 Caractéristiques techniques	44
12.0 Couple réel	47

Définitions

3.1 Définitions des termes employés dans le manuel

Terme	Définition
 DANGER !	Indication d'un risque potentiel de blessures sérieuses ou de mort en cas de non-respect des consignes
 AVERTISSEMENT !	Indication d'un risque de blessure en cas de non-respect des consignes
 ATTENTION !	Indication que le matériel peut être endommagé si le conseil fourni n'est pas suivi
REMARQUE :	Conseil d'ordre général ou pratique recommandée
	Référence faite à d'autres manuels

REMARQUE :

Il est possible que les fauteuils illustrés et décrits dans le présent manuel ne soient pas complètement identiques au modèle que vous avez acheté. Toutefois, toutes les instructions fournies dans le présent manuel sont valables pour votre matériel, malgré d'éventuelles différences minimales.

Le fabricant se réserve le droit de modifier sans préavis les poids, mesures et autres données techniques indiquées dans le présent manuel. Tous les chiffres, dimensions et capacités indiqués dans ce manuel sont approximatifs et ne constituent pas des caractéristiques.

REMARQUE :

Veillez consigner l'adresse et le numéro de téléphone du centre de service après-vente le plus proche dans le cadre ci-dessous.

En cas de panne, contactez-le en lui donnant le plus d'informations possible sur la nature de la panne pour qu'il puisse vous aider efficacement et rapidement.

Tampon et signature du revendeur

Avant-propos

Chère cliente, cher client,

Vous avez choisi un produit de SUNRISE MEDICAL de grande qualité. Nous nous en réjouissons.

Ce manuel d'utilisation vous fournira de nombreux conseils et suggestions de sorte que votre produit deviendra pour vous un partenaire familier digne de confiance.

Pour Sunrise Medical, être proche de nos clients est une priorité. C'est pourquoi, nous tenons à vous tenir informé de toutes nos nouveautés, actuelles et à venir. Être proche de nos clients signifie, assurer un service rapide, avec le moins de formalités administratives possible et entretenir une bonne relation avec eux. Que vous souhaitiez commander des pièces de rechange ou des accessoires, ou encore poser des questions concernant votre fauteuil, nous sommes à votre service.

Notre objectif est que vous soyez satisfait de nos services. Chez Sunrise Medical, nous travaillons en permanence au développement de nos produits. Ainsi, des modifications quant à la forme, à la technique et à l'équipement peuvent être apportées à notre gamme de produits. Aucune réclamation ne pourra donc être adressée au sujet des informations et illustrations de ce manuel d'utilisation.

Le système de gestion de SUNRISE MEDICAL est certifié ISO 13485 et ISO 14001.



En sa qualité de fabricant, SUNRISE MEDICAL, déclare que ce produit est conforme au règlement sur les dispositifs médicaux (2017/745).

REMARQUE :

Conseil d'utilisation générale.

Le non-respect des présentes instructions peut causer des blessures physiques, l'endommagement du matériel ou la dégradation de l'environnement.

Avis aux utilisateurs et/ou patients : tout incident grave survenu en relation avec le dispositif doit être signalé au fabricant et à l'autorité compétente de l'État membre dans lequel l'utilisateur et/ou le patient est établi.

Adaptations spéciales pour B4Me

Afin de vous assurer que votre produit B4Me fonctionne de manière performante comme prévu par le fabricant, Sunrise Medical vous recommande vivement de lire et de comprendre toutes les informations utilisateur fournies avec votre produit B4Me avant de l'utiliser pour la première fois.

Sunrise Medical recommande également que les informations utilisateur ne soient pas jetées après leur lecture, mais qu'elles soient conservées en toute sécurité afin d'être consultées ultérieurement.

Combinaison de dispositifs médicaux

Il est possible de combiner le présent dispositif médical avec un ou plusieurs autres dispositifs ou produits. Vous trouverez sur www.Sunrisemedical.fr toutes les informations utiles sur les combinaisons possibles. Toutes les combinaisons présentées ont été validées et sont conformes aux exigences générales en matière de sécurité et de performances énoncées dans annexe I No. 14.1 du règlement 2017/745 relatif aux dispositifs médicaux.

Vous trouverez des conseils sur la combinaison, relatifs par exemple au montage, sur www.SunriseMedical.fr

Adressez-vous à notre service après-vente SUNRISE MEDICAL, compétent et agréé, pour toute question concernant l'utilisation, la maintenance ou la sécurité de votre fauteuil roulant.

S'il n'y a aucun revendeur près de chez vous ou si vous avez des questions relatives à la sécurité des produits et des rappels de produits, contactez Sunrise Medical par écrit ou par téléphone, ou rendez-vous sur www.sunrisemedical.fr.



IMPORTANT :

N'UTILISEZ PAS VOTRE FAUTEUIL AVANT D'AVOIR LU ET COMPRIS CE MANUEL.

Sunrise Medical SAS
ZAC de la Vrillonnerie
17 Rue Michaël Faraday
37170 Chambray-Lès-Tours
Tel : +33 (0) 2 47 55 44 00
Email: info@sunrisemedical.fr
www.sunrisemedical.fr

Utilisation

Les fauteuils roulants sont exclusivement destinés aux enfants et adultes dans l'incapacité de marcher ou à mobilité restreinte et pour leur propre usage, qu'ils soient capables de faire avancer leur fauteuil seuls ou qu'ils soient poussés par une tierce personne (un accompagnateur), à leur domicile et à l'extérieur.

La charge maximale (à savoir le poids de l'utilisateur et des accessoires éventuellement embarqués) est indiquée sur la plaque signalétique apposée sur le tube d'axe, sous le siège.

La garantie n'est valable que si le produit est utilisé dans les conditions spécifiées et pour l'usage pour lequel il est prévu. La durée de vie anticipée de ce produit est de 5 années. N'utilisez ET n'installez aucun composant tiers sur le fauteuil, à moins qu'ils n'aient été formellement approuvés par Sunrise Medical.

Les éléments porteurs du fauteuil sont fabriqués en carbone (désignation exacte : plastique renforcé par fibres de carbone, ou CFRP). La fibre de carbone est un matériau de grande résistance utilisé pour les applications exigeant une force portante élevée avec un minimum de poids.

Nos composants en carbone sont fabriqués manuellement - les irrégularités dans le tissage, les inégalités à la surface ou les petites poches d'air sont purement visuelles et n'ont aucune incidence sur la stabilité du matériau.

Le carbone possède des propriétés différentes de celles du métal ou autres plastiques, et il convient d'en tenir compte lors de l'utilisation normale de ce matériau.

Le carbone peut être endommagé par la surcharge (impacts ou coups d'une puissance inhabituelle, tels que : chute, basculement ou renversement du fauteuil.) La surcharge peut endommager les fibres de carbone ou entraîner le délaminage (séparation des couches de fibres ou décollement entre les fibres et la résine).

Souvent, cette dégradation, qui n'est pas décelée visuellement, peut réduire la force portante ou briser des composants, dans des cas extrêmes.



- Pour des raisons de sécurité, en cas d'accident ou de chute du fauteuil, cesser immédiatement l'utilisation et le renvoyer à Sunrise Medical pour le faire inspecter.
- Inspecter régulièrement le fauteuil afin de déceler tout signe d'endommagement (fissures, décoloration, etc.).
- Si la surface des composants en carbone est endommagée (entailles ou rayures plus profondes que la couche de vernis), renvoyer le fauteuil à Sunrise Medical pour le faire inspecter.
- Durant le transport (en particulier le transport aérien), s'assurer que le fauteuil n'entre pas en contact avec d'autres bagages. Les bagages ne doivent en aucun cas être posés sur le fauteuil. S'assurer que le fauteuil est fermement maintenu et ne risque pas de glisser.
- Prêter une attention particulière aux bruits de grincement pendant l'utilisation du fauteuil, indiquant la présence d'une anomalie de la structure des fibres. Le cas échéant, renvoyer le fauteuil à Sunrise Medical pour le faire inspecter.
- Remplacer immédiatement les composants endommagés - ils ne peuvent être réparés.
- L'utilisation d'accessoires de fabricants tiers, comme les handbikes, les roues avant ou tout autre accessoire non standard, n'est pas autorisée.
- Ne pas dépasser le couple de serrage indiqué pour les vis et les brides.
- Ne jamais fixer d'extension à l'aide de vis ou de brides.
- Ne jamais modifier mécaniquement les composants en carbone et ne jamais les percer.
- Ne jamais exposer le fauteuil à des températures élevées (comme les véhicules garés au soleil) et ne jamais le placer à proximité de sources de chaleur.
- Nettoyer les composants en carbone exclusivement à l'aide d'un chiffon humide avec de l'eau tiède ou froide, avec éventuellement un peu de détergent, si besoin est.
- Ne jamais utiliser des solvants ou nettoyants à base de solvant, de l'alcool ou de l'acétone. Ne pas utiliser de produits de lustrage ou de nettoyants abrasifs.

Champ d'application.

Indications

De par la diversité des options de montage et sa conception modulaire, ce fauteuil convient pour les personnes dans l'incapacité de marcher ou à mobilité restreinte, suite à :

- Une paralysie
- La perte d'un membre (amputation de la jambe)
- La difformité d'un membre
- Des contractures/blessures aux articulations
- Pour les maladies telles que les déficiences cardiaques et circulatoires, la perturbation de l'équilibre ou la cachexie, les profils de maladies neurologiques, la dystrophie musculaire, l'hémiplégie ainsi que pour les personnes âgées qui ont encore de la force dans le haut du corps.

Contre-indications

Le fauteuil roulant ne peut être utilisé sans accompagnateur dans les cas suivants :

- Trouble de la perception
- Déséquilibre
- Perte des deux bras, sans le soutien d'un soignant
- Contracture articulaire ou dommages articulaires au niveau des deux bras
- Incapacité à s'asseoir

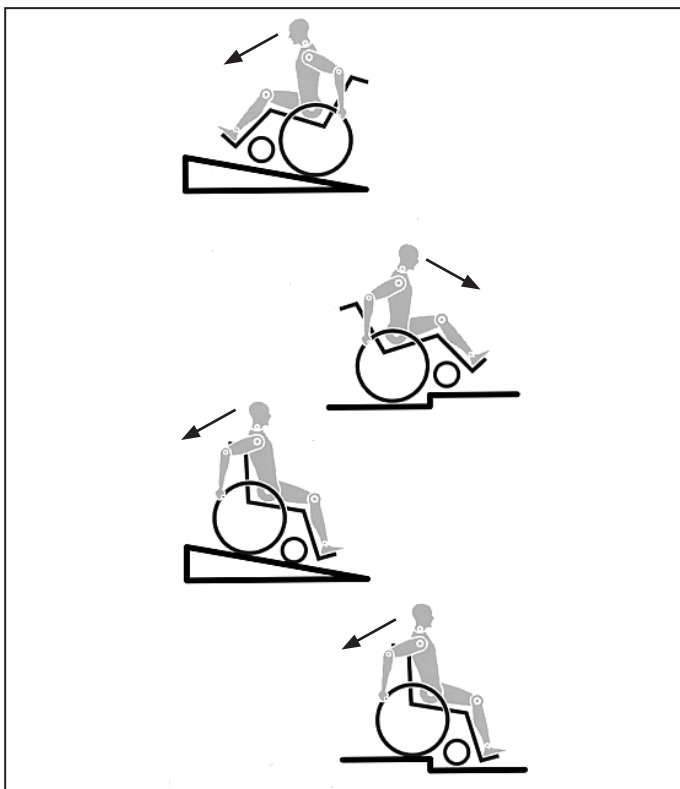
REMARQUE :

Il convient de noter que l'utilisation d'un fauteuil roulant exige un certain degré de capacités cognitives, physiques et visuelles. L'utilisateur doit être en mesure d'évaluer les conséquences de ses actions pendant l'utilisation du fauteuil roulant et, si nécessaire, les corriger. Ces capacités et l'utilisation sécurisée de composants supplémentaires fixés au fauteuil roulant ne peuvent être évaluées par le fabricant, Sunrise Medical. Nous déclinons toute responsabilité pour tout dommage découlant d'une telle situation.

Veillez prendre connaissance des consignes d'utilisation relatives au fauteuil roulant et aux composants accessoires embarqués. Communiquez à l'utilisateur les informations utiles sur l'utilisation sécurisée du fauteuil roulant et des composants accessoires embarqués. Communiquez à l'utilisateur les avertissements spécifiques qu'il est important de connaître et de respecter.

Sélectionner le bon fauteuil nécessite de prendre en compte des éléments tels que la taille de l'utilisateur, son poids, sa constitution physique et psychologique, son âge, son mode de vie et son environnement.

1.0 Consignes générales de sécurité et limites de conduite



La conception et la construction du fauteuil sont réalisées pour garantir une sécurité maximale. A l'échelle internationale, toutes les exigences applicables en matière de normes de sécurité sont respectées, voire dépassées. Toutefois, l'utilisateur peut se mettre en situation de danger en utilisant son fauteuil de façon incorrecte. Pour votre sécurité, vous devrez impérativement respecter les consignes suivantes.

Les altérations ou réglages non professionnels ou erronés augmentent le risque d'accidents. En tant qu'utilisateur de fauteuil roulant, vous participez à la circulation publique, sur routes ou trottoirs. Vous êtes par conséquent tenu de respecter le code de la route.

Lors de votre première utilisation du fauteuil, roulez prudemment. Familiarisez-vous avec l'utilisation de votre nouveau fauteuil roulant.

Avant chaque utilisation de votre fauteuil, contrôlez impérativement :

- Les axes à déverrouillage rapide des roues arrière
- Le Velcro du siège et des accoudoirs
- Les pneus, la pression et les freins.

Avant de modifier un quelconque réglage, il est important de lire le paragraphe correspondant du présent manuel d'utilisation.

Des nids de poule ou un sol irrégulier peuvent faire basculer le fauteuil roulant lors de la montée ou de la descente des pentes. Si une marche ou une pente est abordée de face, le corps doit être incliné vers l'avant.



- Ne dépassez JAMAIS la charge maximale de 125 kg combinée entre l'utilisateur et tout autre accessoire éventuellement embarqué. Veuillez noter les informations relatives au poids pour les options plus légères, lesquelles sont indiquées séparément. Toute charge supérieure pourrait endommager le fauteuil ou vous faire basculer, perdre le contrôle et entraîner de graves blessures pour vous et toute autre personne.
- Dans la pénombre, portez des vêtements clairs ou réfléchissants de sorte à être vu par les autres usagers de la route. Veillez à ce que les réflecteurs latéraux et arrière du fauteuil restent bien visibles. Il est également recommandé d'installer une lumière.

- Pour éviter les chutes et situations dangereuses, il est recommandé de vous entraîner et de vous familiariser avec votre nouveau fauteuil sur une surface plane offrant une bonne visibilité.
- Pour monter et descendre du fauteuil, ne prenez pas appui sur les palettes. Il convient au contraire de les rabattre et de les pivoter vers l'extérieur le plus possible. Placez-vous toujours le plus près possible de l'endroit où vous voulez vous asseoir.
- Utilisez toujours votre fauteuil de manière adéquate. Evitez par exemple de franchir des obstacles sans avoir préalablement ralenti (marche, bord de trottoir).
- Les freins d'immobilisation ne servent pas à ralentir le fauteuil. Ils empêchent votre fauteuil d'avancer involontairement. Quand vous vous tenez sur un terrain accidenté, utilisez impérativement vos freins d'immobilisation. Pensez toujours à actionner les deux freins simultanément, autrement votre fauteuil pourrait basculer.
- Changer le centre de gravité peut avoir un impact sur le comportement du fauteuil dont vous devez être conscient. Il est recommandé de vous entraîner, par exemple en pente ou lors du franchissement d'obstacles. Familiarisez-vous avec les différents comportements en présence d'un accompagnateur.
- Avec des réglages extrêmes (comme les roues arrière en position la plus avancée possible) et une posture inadéquate, le fauteuil risque de basculer, même sur une surface plane.
- Lorsque vous franchissez des côtes et des marches, penchez votre corps plus en avant.
- Lorsque vous descendez des côtes et des marches, penchez votre corps plus en arrière. Ne tentez jamais de monter ou de descendre une pente en diagonal.
- Evitez d'utiliser les escalators. En cas de chute, vous pourriez vous blesser gravement.
- N'utilisez pas le fauteuil sur des pentes de plus de 10° d'inclinaison. Le degré d'inclinaison maximum des pentes dépend de la configuration du fauteuil, des capacités de l'utilisateur et du style de conduite. Les capacités de l'utilisateur et son style de conduite ne pouvant être prédéfinis, le degré d'inclinaison maximum des pentes ne peut être déterminé. Il revient donc à l'utilisateur, assisté de son accompagnateur, de déterminer l'inclinaison maximale afin d'éviter tout risque de basculement. Il est vivement recommandé d'installer des roulettes anti-basculer pour les utilisateurs inexpérimentés.
- Des nids de poule ou un sol irrégulier peuvent faire basculer le fauteuil roulant lors de la montée ou de la descente des pentes.
- N'utilisez pas le fauteuil sur des terrains boueux ou verglacés. N'utilisez pas le fauteuil dans des zones interdites aux piétons.
- Pour éviter de vous blesser aux mains, ne placez pas vos doigts entre les rayons ou entre la roue arrière et le frein de la roue lorsque le fauteuil est en déplacement.
- Si vous utilisez une main courante métallique et freinez dans une longue pente ou pour réduire votre allure, le frottement peut chauffer la main courante et vous brûler les doigts.
- Monter ou descendre une pente latéralement augmentent le risque de voir le fauteuil basculer sur le côté.
- Ne montez et descendez les escaliers que si vous êtes accompagné. Des équipements à cet effet sont à votre disposition, comme les rampes d'accès et les ascenseurs. Utilisez-les. En l'absence de tels équipements, deux personnes sont nécessaires pour faire basculer le fauteuil et lui faire franchir les marches une à une en le poussant, et non pas en le soulevant. Il est déconseillé de procéder à de telles manœuvres dans les escaliers avec des utilisateurs de plus de 100 kg.

- En général, en présence de roulettes anti-basculer, il convient de les régler de sorte qu'elles ne puissent heurter les marches, car cela pourrait entraîner une grave chute. Remplacez ensuite les roulettes anti-basculer à leur position normale.
- L'accompagnateur doit toujours tenir le fauteuil par les parties fixes et non pas par les parties amovibles, comme le repose-pied ou la protection latérale.
- Ce fauteuil n'est pas prévu pour être utilisé pendant des séances de musculation et/ou l'utilisation d'haltères. Utilisez uniquement du matériel prévu à cet effet.
- Ne soulevez pas le fauteuil en l'attrapant par les tubes du dossier, ni par les poignées.
- Lors de l'utilisation d'une rampe d'accès, pensez à positionner les roulettes anti-basculer (le cas échéant) en dehors de la zone à risque.
- Immobilisez toujours votre fauteuil à l'aide des freins lorsqu'il se trouve sur les surfaces accidentées ou lorsque vous montez dessus ou en descendez.
- Dans la mesure du possible, au cours d'un déplacement à bord d'un véhicule pour personnes handicapées, il est conseillé aux occupants de s'asseoir sur les sièges et d'utiliser le système de retenue approprié. C'est le seul moyen d'assurer une protection optimale aux occupants en cas d'accident. Si vous utilisez des éléments de sécurité proposés par SUNRISE MEDICAL et un système de sécurité spécifique, les fauteuils légers peuvent servir de siège pour le déplacement à bord d'un véhicule spécialement adapté. (Voir le chapitre sur "Transport").
- Selon le diamètre et le réglage des roues avant, ainsi que le centre de gravité du fauteuil, les roues avant peuvent se mettre à vibrer à mesure que la vitesse du fauteuil augmente. Les roues avant risquent alors de se bloquer et le fauteuil de basculer. Il est donc essentiel de régler correctement les roues avant (voir le chapitre "Roues avant"). Ne descendez pas une pente sans frein et déplacez-vous lentement. Il est recommandé aux utilisateurs inexpérimentés d'utiliser des roulettes anti-basculer.
- Les roulettes anti-basculer empêchent le fauteuil de basculer accidentellement vers l'arrière. En aucun cas, elles ne doivent remplacer les roulettes de transit et servir au transport d'une personne dans un fauteuil dont les roues arrière auraient été retirées.
- Si vous souhaitez atteindre un objet (placé devant, derrière ou latéralement par rapport au fauteuil), évitez de trop vous pencher afin de ne pas modifier le centre de gravité et risquer de faire basculer le fauteuil. La présence d'une charge supplémentaire (sac à dos ou objets similaires) sur les montants arrière du dossier peut avoir un impact sur la stabilité de votre fauteuil (surtout si le dossier est incliné en arrière) et peut faire basculer le fauteuil en arrière et entraîner des blessures.
- Les réglages de votre fauteuil, et plus particulièrement les réglages des composants relatifs à la sécurité, doivent être réalisés exclusivement par un revendeur agréé. Cette exigence concerne les freins d'immobilisation, les roulettes anti-basculer, l'angle d'inclinaison et la hauteur du dossier, la longueur de jambe inférieure, le centre de gravité, la ceinture sous-abdominale, le pincement et le carrossage des roues arrière, la hauteur du siège, ainsi que le pincement et la stabilité directionnelle de la fourche.
- Lors de l'utilisation d'accessoires de mobilité montés sur le fauteuil roulant, comme le handbike, la fonction assistée, etc., vérifiez que votre fauteuil est équipé des fourches appropriées à cet usage. N'hésitez pas à contacter votre revendeur en cas de doute.
- N'équipez le fauteuil d'aucun dispositif électronique, dispositif de mobilité électrique ou mécanique, vélo à main ou tout autre dispositif non approuvé susceptible de modifier l'usage prévu du fauteuil ou sa structure.
- L'ajout de dispositifs médicaux supplémentaires nécessite l'approbation de Sunrise Medical.
- À noter que dans certaines configurations, le fauteuil peut dépasser la largeur de 700 mm. Si tel est le cas, certaines issues de secours peuvent ne pas permettre le passage du fauteuil. Par ailleurs, le déplacement à bord des transports publics peut être difficile, voire impossible.
- Pour les personnes amputées d'un ou des membres inférieurs, il est impératif d'utiliser les roulettes anti-basculer.
- Avant d'utiliser votre fauteuil, vérifiez la pression des pneus. Pour les roues arrière, la pression doit être au moins de 3,5 bars (350 kPa). La pression maximale est indiquée sur la jante des pneus. Le frein à manette à hauteur du genou ne fonctionne que si la pression des pneus est suffisante et si le réglage est correct (voir le chapitre sur les "Freins").
- Si les toiles du dossier et du siège sont abîmées, remplacez-les immédiatement.
- Soyez très vigilants avec les risques d'incendie, surtout avec les cigarettes allumées. Les toiles du dossier et du siège peuvent prendre feu.
- Si le fauteuil est exposé au soleil pendant une période prolongée, certaines parties du fauteuil (par ex. le châssis, le repose-jambes, les freins et le protège-vêtement) peuvent chauffer (>41°C).
- Vérifiez que les axes à déverrouillage rapide des roues arrière sont bien réglés et verrouillés. Si le bouton de l'axe à déverrouillage rapide n'est pas enfoncé, vous ne pouvez pas enlever la roue arrière.

AVERTISSEMENT !

- L'efficacité du frein à manette au genou et des caractéristiques de conduite générales dépend de la pression des pneus. Le fauteuil sera considérablement plus léger et plus facile à manœuvrer si les pneus des roues arrière sont correctement gonflés et ont la même pression.
- Vérifiez la sculpture des pneus. N'oubliez pas que lorsque vous vous déplacez au milieu de la circulation, vous devez respecter toutes les réglementations relatives au code de la route.
- Faites attention de ne pas vous pincer les doigts lorsque vous procédez à des réglages du fauteuil.

AVERTISSEMENT !

RISQUE D'ÉTOUFFEMENT – Ce fauteuil est composé de petites pièces qui, dans certaines conditions, peuvent présenter un risque d'étouffement pour les jeunes enfants.

Il est possible que les fauteuils illustrés et décrits dans le présent manuel ne soient pas complètement identiques au modèle que vous avez acheté. Toutefois, toutes les instructions fournies dans le présent manuel sont valables pour votre matériel, malgré d'éventuelles différences minimales.

Le fabricant se réserve le droit de modifier sans préavis les poids, mesures et autres données techniques indiquées dans le présent manuel. Tous les chiffres, dimensions et capacités indiqués dans ce manuel sont approximatifs et ne constituent pas des caractéristiques.

2.0 Manipulation

Axes à déverrouillage rapide de la roue arrière

Les roues arrière doivent être munies d'axe à déverrouillage rapide.

Les roues peuvent être démontées ou montées sans outils.

Pour démonter les roues, pressez sur le bouton de l'axe à déverrouillage rapide (1) et retirez la roue arrière (Fig. 2.1).



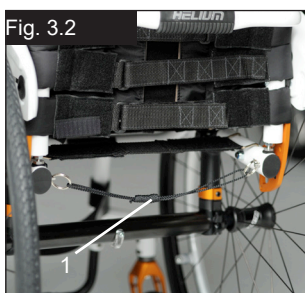
⚠ ATTENTION !

Lors du montage, appuyez sur le bouton de l'axe à déverrouillage rapide et insérez l'axe dans le canon, tout en conservant le bouton pressé. Relâchez le bouton et la roue est bloquée. Le bouton d'arrêt doit revenir dans sa position de départ.

3.0 Transport du fauteuil

Transport du fauteuil

Les roues arrière sont démontables pour obtenir un fauteuil aussi compact que possible. Le dossier se rabat en tirant sur la corde (1) (voir image 3.2) située sur le dossier (Fig. 3.1 et 3.2).



Dans cette configuration, il est possible de soulever le fauteuil en l'attrapant par les montants du châssis et la toile d'assise. Lorsque le fauteuil est transporté inoccupé à bord d'un véhicule motorisé, il convient de l'arrimer ou de l'attacher.

4.0 Options

Leviers de basculement

Leviers de basculement

Le levier de basculement permet à l'accompagnateur(-trice) de faire basculer le fauteuil pour franchir un obstacle. Placez votre pied sur le tube d'appui pour faire franchir au fauteuil un trottoir ou une marche, par exemple.

⚠ AVERTISSEMENT !

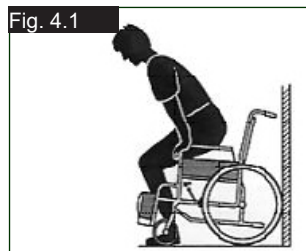
Sunrise Medical recommande vivement l'installation d'un levier arrière de basculement sur les fauteuils où l'accompagnateur sera l'utilisateur principal. En l'absence de levier arrière de basculement, l'utilisation répétée du dossier et la force exercée dessus pour incliner le fauteuil aura pour effet d'endommager les montants du dossier.

Vous asseoir dans votre fauteuil par vous-même

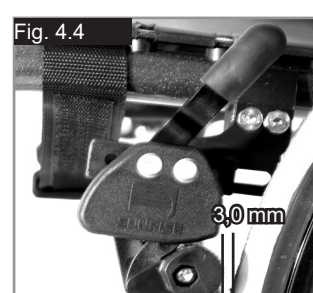
- Poussez le fauteuil roulant contre un mur ou contre un meuble solide ;
- Serrez les freins
- L'utilisateur peut s'installer dans le fauteuil
- Puis positionnez les pieds devant les sangles talonnières. (Fig. 4.1).

Sortir de votre fauteuil par vous-même

- Serrez les freins
- La personne doit se pencher légèrement vers l'avant en se tenant d'une main sur la roue ou le garde-boue afin de transférer le poids de son corps vers l'avant du siège, puis levez-vous en poussant avec les deux pieds par terre, un pied derrière l'autre (Fig. 4.2).



Freins



⚠ ATTENTION !

La puissance de freinage peut être affectée par un mauvais montage ou réglage des freins, ainsi que par une pression trop faible des pneus.

Freins

Votre fauteuil est équipé de deux freins d'immobilisation. Les freins agissent directement sur les pneus. Pour immobiliser votre fauteuil, abaissez les deux leviers de freinage jusqu'à la butée avant. Tirez le levier de freinage en arrière pour le relâcher.

L'effet de freinage diminue quand :

- Les pneus sont usés
- La pression des pneus est trop faible
- Les pneus sont mouillés
- Les freins sont mal réglés.

Freins...

Les freins d'immobilisation ne sont pas destinés à être utilisés comme des freins de service. N'actionnez pas les freins en marche. Freinez toujours à l'aide des mains courantes. Vérifiez que l'écart entre les pneus et les freins d'immobilisation est conforme aux valeurs spécifiées. Pour régler, dévissez la vis et réglez le bon intervalle. Resserrez de nouveau la vis (Fig. 4.3 et 4.4).



Vérifiez le réglage des freins après chaque modification de la position de la roue arrière et refaites votre réglage, si nécessaire.

Rallonge du levier de frein

La rallonge vous permet de déployer moins d'efforts pour actionner les freins.

La rallonge est directement vissée aux freins. En le levant, le levier pourra être rabattu vers l'avant (Fig. 4.5).



Plus les freins seront montés près de la roue, plus l'effort à fournir pour les actionner sera grand. Cela pourrait casser la rallonge du levier de frein !

Veillez à ne pas prendre appui sur la rallonge du levier lorsque vous montez ou descendez du fauteuil, car vous risqueriez de la casser ! Veillez à ne pas prendre appui sur la rallonge du levier lorsque vous montez ou descendez du fauteuil, car vous risqueriez de la casser !



Si le frein n'est pas correctement monté, vous devrez forcer pour l'actionner. Cela pourrait casser la rallonge du levier de frein.

Freins compacts

Les freins compacts se trouvent sous la toile du siège. Pour les activer, il suffit de tirer les freins vers l'arrière, en direction du pneu. Pour que les freins fonctionnent correctement, il convient de les tirer jusqu'à ce qu'ils heurtent la butée, (Fig. 4.6).



Les vis de montage des freins ne doivent pas être desserrées et/ou resserrées.



Frein unilatéral

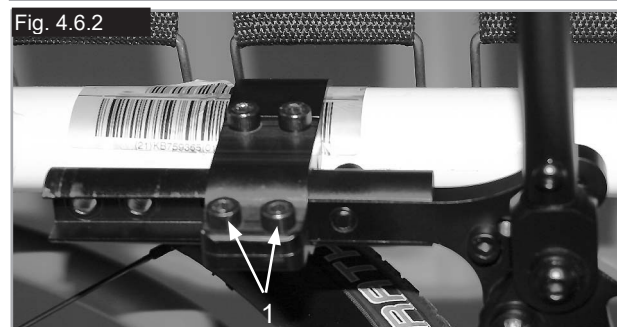
Le frein unilatéral se trouve sous la toile d'assise. Pour l'activer, il suffit de tirer le levier de frein (situé à droite ou à gauche) vers l'arrière, en direction du pneu. Pour que le frein fonctionne correctement, il convient de le tirer à fond, jusqu'à ce qu'il heurte la butée (Fig. 4.6.1).

Réglage

Pour régler le frein, desserrez les vis (1) et placez le frein à l'endroit où il pourra fonctionner de manière optimale (Fig. 4.6.2).



Le montage incorrect du frein unilatéral peut entraîner de graves blessures pour l'utilisateur et toute autre personne.



⚠️ AVERTISSEMENT !

La suspension arrière peut avoir un impact sur la stabilité du fauteuil. Pour éviter de basculer, utilisez un contrôleur et/ou des roulettes anti-basculer une fois que vous êtes familiarisé avec votre nouveau fauteuil.

1. Réglage de la suspension arrière 4-Link

- pour durcir la suspension, tournez l'ajusteur de pré-charge de ressort (E) dans le sens horaire (si vous regardez le système de suspension par dessous).
- pour assouplir la suspension, tournez l'ajusteur de pré-charge de ressort (E) dans le sens anti-horaire (si vous regardez le système de suspension par dessous).

2. Alignement des bras de liaison de suspension

Ne modifiez pas l'alignement des bras de liaison (F), (Fig. 4.10). Les bras sont réglés à l'usine pour garantir un bon alignement et une bonne performance du système de suspension arrière 4-Link.
(Veuillez-vous référer à la page suivante).

Réglage du pincement et de l'ouverture à zéro (à l'aide du dispositif de réglage monté en usine)

Desserrez les vis hexagonales (G) (2 de chaque côté) qui maintiennent le support d'axe en place. Observez la bille de l'ajusteur transparent au centre du support d'axe, puis tournez le tube d'essieu (C) jusqu'à ce que la bille soit parfaitement centrée au point le plus bas de l'ajusteur. Le pincement est maintenant réglé sur zéro (Fig. 4.7, 4.10).

Avant de resserrer les vis (G), vérifiez que les surfaces plates de l'adaptateur de carrossage du support d'axe dépassent (en saillie) la fixation du support d'axe. L'extrémité du tube de l'adaptateur de carrossage cylindrique doit arriver à ras de l'extrémité du support d'axe. Serrez les vis au couple de 7 Nm.

Réglage du pincement et de l'ouverture à zéro (à l'aide d'une jauge de réglage à 90°).

Posez le fauteuil sur une table plate horizontale ou au sol. Desserrez les vis hexagonales (G) (2 de chaque côté) qui maintiennent le support d'axe en place.

Placez ensuite la jauge d'ajustage à un angle de 90° précisément (utilisez par ex. une équerre) sur les surfaces plates de l'adaptateur de carrossage (D) (Fig. 4.8, Fig. 4.9). Tournez le support d'axe jusqu'à ce que les surfaces de la clé soient parfaitement parallèles à la surface supérieure de la jauge d'ajustage (Fig. 4.8).

Avant de resserrer les vis (G), vérifiez que les surfaces plates de l'adaptateur de carrossage du support d'axe dépassent (en saillie) la fixation du support d'axe. L'extrémité du tube de l'adaptateur de carrossage cylindrique doit arriver à ras de l'extrémité du support d'axe. Serrez les vis au couple de 7 Nm.

⚠️ ATTENTION !

Lorsque vous réglez la suspension arrière 4-Link, procédez toujours à un seul réglage à la fois et consignez les modifications apportées. Cela requiert de la patience mais vous permet de comprendre l'impact de chaque changement sur le déplacement du fauteuil.

REMARQUE – L'amortisseur de vibrations bas résulte en des sensations plus souples et permet une bonne course des suspensions.

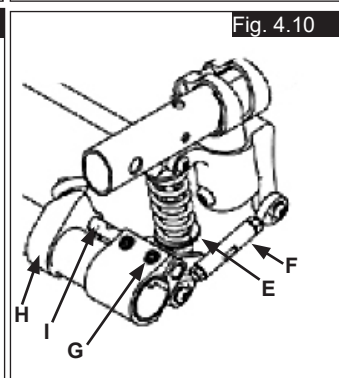
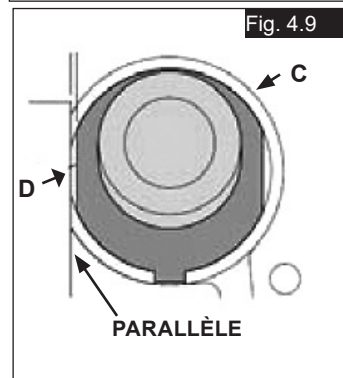
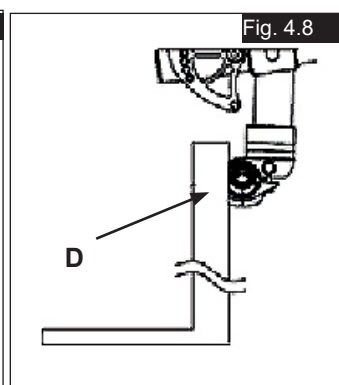
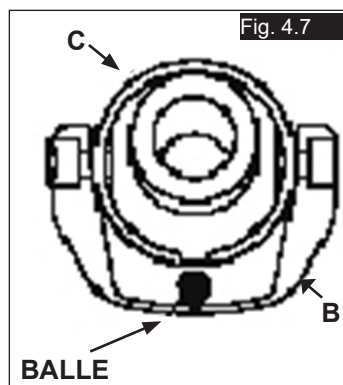
⚠️ ATTENTION !

En aucun cas vous ne devez desserrer la connexion à vis entre le collier du moyeu et l'amortisseur.

3. Entretien

Les opérations de maintenance suivantes doivent être effectuées en plus de celles décrites à la section 6.0.

- ne lubrifiez pas les bagues, ni les serpentins.
- vous pouvez apposer du lubrifiant sur les extrémités de liaison après avoir nettoyé au savon doux et avec une brosse à poils souples.
- utilisez une brosse à poils souples pour enlever les saletés ou débris du système de serpentins.
- n'utilisez jamais d'appareil haute pression pour nettoyer la suspension arrière 4-Link.



Réglage du centre de gravité du fauteuil Krypton R.

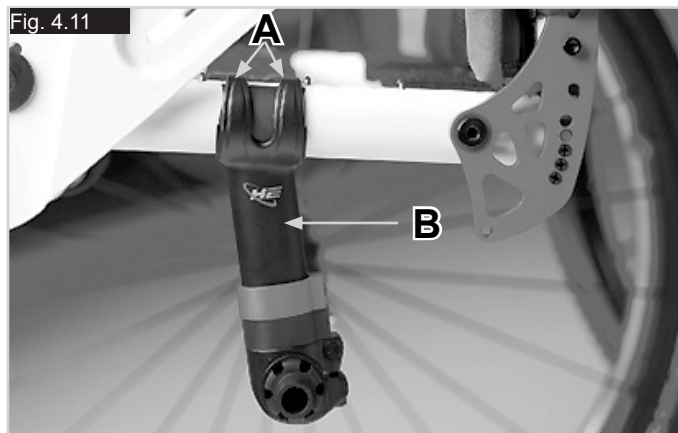
Déposez les roues arrière. Dévissez les deux vis hexagonales (A) situées en haut de la tige d'axe (B), des deux côtés du fauteuil (Fig. 4.11). Sortez ensuite l'unité complète hors de l'axe et enfoncez les deux supports d'axe vers l'avant du châssis (dans le sens du déplacement), pour obtenir un centre de gravité plus actif, ou vers l'arrière pour obtenir un centre de gravité plus passif et plus stable. Resserrez les vis (A) des deux côtés, au couple de 5 Nm. Réglez ensuite les protège-vêtements et les freins en fonction de la nouvelle position des roues.

 **ATTENTION !**

Il est important de comprendre que la stabilité du fauteuil change lorsque le centre de gravité est modifié. L'installation de roulettes anti-bascule pourra s'avérer nécessaire.

 **DANGER !**

Pensez à régler les freins en fonction des modifications apportées.



Réglage de la palette

Réglage du repose-pied

AVERTISSEMENT !

- Ne jamais prendre appui sur la palette ! Même si l'utilisateur est assis dans son fauteuil, cela pourrait faire basculer le fauteuil et entraîner des blessures.
- Lorsque vous montez ou descendez du fauteuil, ne prenez pas appui sur la palette, cela pourrait faire basculer le fauteuil et entraîner des blessures.

Enlevez la vis (1) pour régler le repose-pied à la longueur adaptée à vos jambes puis rattachiez le repose-pied. L'angle du repose-pied peut se régler individuellement en desserrant les vis (2). Les cales latérales de la palette (3) empêchent tout glissement involontaire des pieds. Après avoir procédé à vos réglages, vérifiez toujours d'avoir bien revissé toutes les vis (voir la section sur la force de torsion) (Fig. 4.12 - 4.13).



Siège

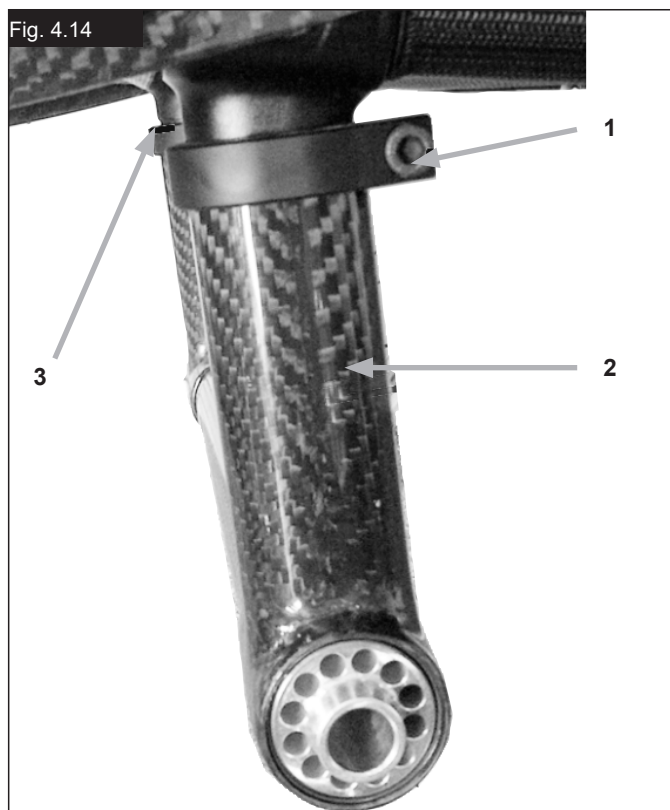
Réglage de la hauteur du siège

Pour régler la hauteur du siège à l'arrière, desserrez les vis hexagonales (1) des supports d'axe (2) des deux côtés du fauteuil.

Pour réduire la hauteur d'assise de 10 mm, retirez l'entretoise (3).

Pour augmenter la largeur d'assise de 10 mm, insérez une entretoise supplémentaire (fournie).

Resserrez les deux vis hexagonales au couple de 7 Nm. (Fig. 4.14)



Roues avant

Roue avant, Support de fourche, Fourche

Il est possible que le fauteuil tire légèrement à droite ou à gauche ou que les roues avant aient du jeu. Cela peut être dû aux raisons suivantes :

- Mauvais réglage du déplacement avant et/ou arrière de la roue.
- Mauvais réglage de l'angle des roues avant.
- Gonflage insuffisant des roues avant et/ou des roues arrière. Le roulement des roues en est gêné.

Les roues avant doivent être réglées de façon optimale pour que le fauteuil roule de façon rectiligne.

En cas de modifications de la position de la roue arrière, les réglages du support de fourche et du frein doivent être contrôlés.

Réglage des roues avant

Comptez les dents visibles des deux côtés pour vérifier que les deux fourches sont bien parallèles. Une fois la fourche des roues avant ajustée, les dents garantissent stabilité au fauteuil, permettant un réglage de 16° obtenu par incréments de 2°. Utilisez le côté plat à l'avant de la fourche pour vérifier qu'elle est perpendiculaire au sol (Fig. 4.15).

Le modèle breveté permet de faire pivoter la fourche de manière à la régler perpendiculairement au sol en cas d'inclinaison de l'assise.

Réglage de la stabilité directionnelle

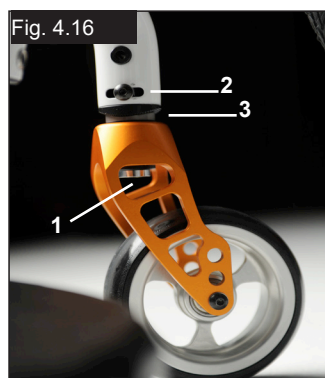
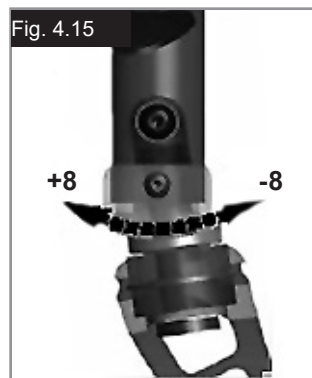
Retirez les vis hexagonales (1) du dessous de la fourche. Vous pouvez maintenant dévisser la vis (2) Vous pouvez maintenant orienter la douille noire (3) vers la droite ou la gauche.

Gauche – le fauteuil tire vers la gauche

Droite – le fauteuil tire vers la droite

Resserrez la vis (2). Réglez un angle à 90° entre la fourche et le sol.

Revissez maintenant la vis (1). (Fig. 4.16).



Alignement des roues

Réglage de l'alignement des roues

Important : Pour obtenir un déplacement optimal du fauteuil, les roues arrière doivent être parfaitement positionnées et alignées. Pour le vérifier, mesurez en un même point la distance entre les deux roues avant et arrière pour s'assurer qu'elles sont parallèles l'une par rapport à l'autre.

La différence entre les deux mesures ne doit pas dépasser 5 mm. Si la différence est supérieure, suivez les instructions ci-dessous pour ajuster l'axe.

Réglage de l'axe pour le fauteuil Krypton R

Réglage du pincement ou de l'ouverture des roues à zéro

REMARQUE : Un fauteuil avec un canon de carrossage de 0° ne peut avoir de pincement, ni d'ouverture des roues. Cet alignement n'est nécessaire que pour les canons de carrossage de 3° et 6°.

Les termes « pincement » et « ouverture » se rapportent à l'alignement des roues arrière du fauteuil par rapport au sol, lequel détermine le bon fonctionnement du fauteuil. Lorsqu'un fauteuil ne présente aucun pincement, ni ouverture, la résistance ou la résistance au roulement est normale.

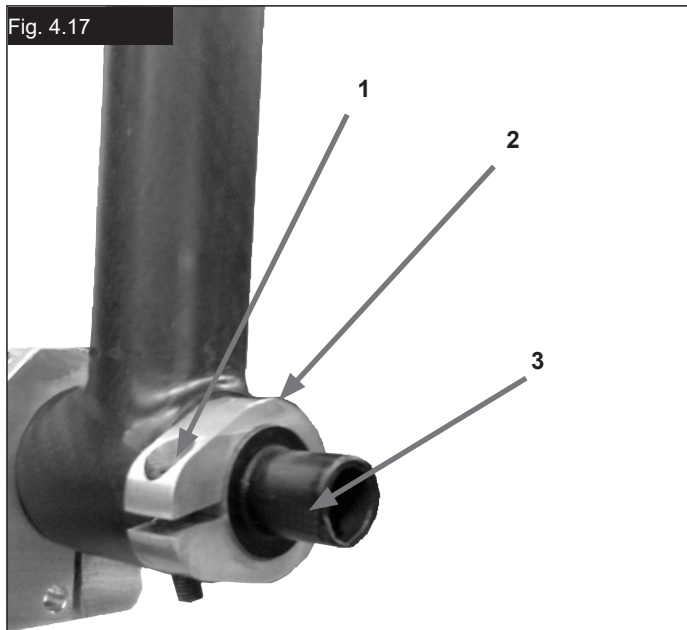
Pour définir le pincement ou l'ouverture sur zéro : Dévissez la vis hexagonale (1) qui ferme le collier (2) du canon d'axe de carrossage (3), des deux côtés du fauteuil. Les bords plats pour la clé qui sont fixés au canon d'axe de carrossage (3) doivent être à un angle de 90° exactement par rapport au sol. Pour le vérifier, utilisez un gabarit de réglage (comme une équerre de menuisier) ayant un angle à 90°. Tournez le canon d'axe de carrossage (3) jusqu'à ce que le bord plat pour la clé soit exactement parallèle au gabarit de réglage. Effectuez ce réglage des deux côtés du fauteuil. Resserrez ensuite les vis hexagonales (1) du collier (2) des deux côtés du fauteuil, à un couple de 5 Nm. (Fig. 4.17).

Réglage de l'empattement (avec carrossage de 3° et 6° uniquement) :

La largeur d'empattement se définit par la distance entre les roues arrière. Elle est réglée à l'usine de sorte que la distance entre la roue motrice et la partie latérale soit d'environ 12 mm.

Pour régler la largeur de l'empattement arrière, dévissez la vis hexagonale (1) du collier (2) du canon d'axe de carrossage (3), puis sortez le canon d'axe de carrossage (3) du montant ou au contraire enfoncez-le selon que vous souhaitez augmenter ou réduire la largeur d'empattement, jusqu'à obtention de la largeur désirée. Resserrez ensuite les vis hexagonales (1) du collier (2) des deux côtés du fauteuil, à un couple de 5 Nm. (Fig. 4.17). Répétez la procédure pour le côté opposé. Veillez à bien avoir réglé les canons d'axe de carrossage de la même manière des deux côtés.

Fig. 4.17



Dossier

Dossier réglable en angle

L'angle d'inclinaison du dossier se règle en modifiant la position de la goupille située dans le montant du dossier. La goupille (1) doit être complètement mise en place dans les configurations de trous de chaque côté, vous permettant un réglage de l'angle de 8.5°.

Placez les goupilles en plastique rouges dans les trous non-utilisés. Pour obtenir un incrément d'angle plus petit (3,5°), retirez la vis hexagonale (2) et replacez-la dans le second trou. Veuillez utiliser le couple correct (voir matrice) pour serrer les vis (2).

Ceci vous donne 12° de réglage d'angle du dossier de 12°.

Déplacez ensuite la goupille (1) dans la direction opposée vers le trou suivant, vous permet une modification de $12^\circ - 8^\circ = 3.5^\circ$. (Fig. 4.18)

Pour réduire le jeu dans le dossier, l'écrou (1) peut être retiré, puis une position optimale peut être obtenue en utilisant la vis de pression (2). Puis resserrez de nouveau l'écrou (1). (Fig. 4.19).

⚠ ATTENTION !

Il est impératif de bien revisser les vis, à défaut de quoi le réglage de l'angle d'inclinaison sera perdu.

Dossier rabattable

Pour libérer le dossier, tirez sur la corde tout en poussant le dossier vers l'avant jusqu'à ce qu'il se rabatte. Pour ramener le dossier à sa position d'origine, tirez-le en arrière, jusqu'à ce que les deux montants s'enclenchent.

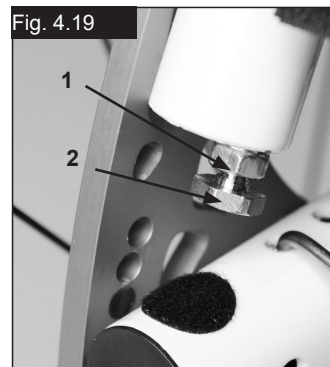
⚠ ATTENTION !

Lorsque vous rabattez le dossier vers l'avant, veillez à ne pas vous pincer les doigts.

Fig. 4.18



Fig. 4.19



Toile du dossier réglable

Vous pouvez régler la tension de la toile du dossier à l'aide des sangles.

Une fente permet d'accéder à la garniture de la toile depuis l'intérieur et la matière choisie peut varier selon les choix individuels, (Fig. 4.20).

Dossier à hauteur réglable

Vous pouvez régler la hauteur du dossier à diverses hauteurs, par incréments de 25 mm. Les fourchettes de réglage sont 250-300 mm, 300-350 mm, 350-400 mm et 400-450 mm. Dévissez la vis (1+2) et réglez le dossier à la hauteur désirée. Revissez ensuite les vis (Voir la page couples de serrage). (Fig. 4.21)

⚠ ATTENTION !

Il est important de comprendre que la stabilité du fauteuil change si l'angle d'inclinaison du dossier ou la toile du dossier est modifiée. L'installation de roulettes anti-basculer pourra s'avérer nécessaire.

Fig. 4.20

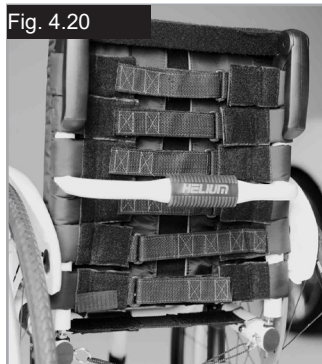
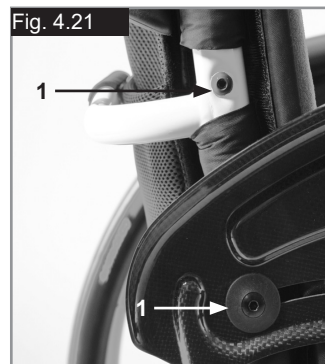


Fig. 4.21



Protège-vêtements

Support central

Installation : Glissez le montant dans le tube de logement jusqu'à ce qu'il heurte le fond

Réglage de la hauteur :

Glissez le montant hors du tube de logement.
Réglez la position de la bague de réglage de la hauteur (1).
Retirez pour cela la vis (2) et déplacez la bague à la position désirée. Remettez-la.
Glissez à nouveau le montant dans le tube de logement, (Fig. 4.22).

Position de la manchette :

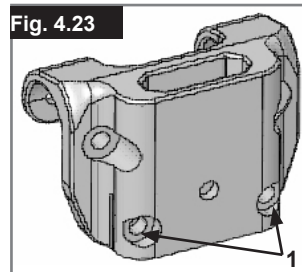
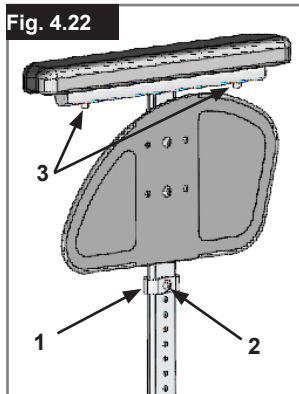
Réglez la position de la manchette. Desserrez pour cela les vis (3), puis déplacez la manchette à la position désirée. Resserrez les vis (Fig. 4.22).

Réglage du tube de logement de l'accoudoir

Vous pouvez régler le degré de serrage du tube de logement de l'accoudoir au moyen des 2 vis (1) - (Fig. 4.23).

Légende

1. Montant extérieur
2. Levier de déverrouillage de réglage de la hauteur
3. Levier de déverrouillage



Poignée de poussée

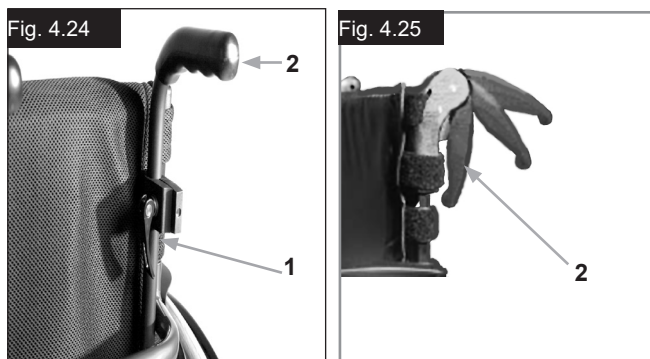
Poignées de poussée réglables en hauteur

Les poignées sont maintenues en place par des goupilles qui les empêchent de sortir accidentellement. En ouvrant le levier de serrage (1), il est possible de régler individuellement la hauteur des poignées de poussée (2). Lors de l'enclenchement du levier, un clic vous indiquera que vous pouvez mettre aisément la poignée à pousser dans la position souhaitée. L'écrou du levier de serrage détermine le serrage au niveau du support de la poignée de poussée. Après enclenchement du levier, si l'écrou est desserré, la poignée sera lâche. Avant utilisation, vérifiez que le serrage est suffisant en faisant pivoter latéralement la poignée. Après avoir réglé la hauteur de la poignée, serrez fermement le levier de serrage (1). Quand le levier de serrage n'est pas serré, cela peut occasionner des blessures lors de la montée d'escaliers. (Fig. 4.24).

REMARQUE – Si les poignées réglables en hauteur ne sont pas correctement positionnées, elles peuvent avoir du jeu ou se déplacer. Vérifiez d'avoir fermement revissé toutes les vis.

Poignées rabattables

Lorsqu'elles ne sont pas utilisées, les poignées peuvent être rabattues à l'aide d'un bouton poussoir (2). Dépliez-les jusqu'à ce qu'elles soient encliquetées avant de les utiliser. (Fig. 4.25).



Roulettes anti-bascule

⚠️ AVERTISSEMENT !

Sunrise Medical recommande l'utilisation de roulettes anti-bascule avec tous les fauteuils. Il convient d'utiliser un couple de serrage de 7 Nm pour fixer les roulettes anti-bascule.

1. Insertion des roulettes anti-bascule dans le collier :

- appuyez sur le bouton arrière de la roulette anti-bascule sur le tube d'assemblage, de sorte que les deux goupilles de déverrouillage se rétractent vers l'intérieur.
- insérez les roulettes anti-bascule (1) dans l'adaptateur.
- tournez le montant antibasculément vers le bas jusqu'à l'enclenchement de la goupille de déverrouillage dans le collier.
- fixez la deuxième roulette anti-bascule de la même façon.

2. Réglage des roulettes anti-bascule

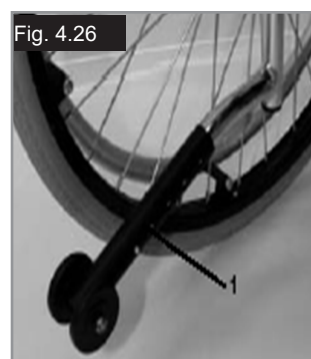
Pour éviter confortablement les obstacles d'une hauteur comprise entre 25 mm et 50 mm, élevez ou abaissez les roulettes anti-bascule.

Appuyez sur le bouton de déverrouillage de la roulette anti-bascule de sorte que les deux goupilles de déverrouillage se rétractent vers l'intérieur. Abaissez ou élevez le montant intérieur pour l'insérer dans les trous de réglage de la hauteur prévus à cet effet. Relâchez le bouton. Fixez la deuxième roulette anti-bascule de la même façon. Les deux roulettes anti-bascule doivent être exactement à la même hauteur. (Fig. 4.26).

⚠️ DANGER !

Sunrise Medical recommande fortement l'utilisation de roulettes anti-bascule :

En l'absence de roulettes anti-bascule, ou si celles-ci ont été mal installées, le fauteuil risque de basculer et de provoquer des blessures.



Roulettes anti-bascule relevables

Le dispositif anti-bascule actif se monte à droite ou à gauche du tube de l'axe des roues arrière. Pour débloquer le dispositif anti-bascule afin de l'utiliser, il suffit de le ramener brièvement vers le tube de l'axe des roues arrière (Fig. 4.27).

⚠️ AVERTISSEMENT !

Vérifiez que le dispositif anti-bascule est bien enclenché en position finale. À défaut de quoi cela pourrait entraîner de graves blessures pour l'utilisateur.



Porte-canne

Porte-canne

Le porte-canne vous permet de toujours transporter votre canne avec vous. Une bande Velcro sert à fixer la canne ou tout autre système d'aide à la marche.

ATTENTION !

N'essayez jamais d'utiliser ni d'enlever votre canne ou tout autre système d'aide à la marche pendant que vous vous déplacez en fauteuil.

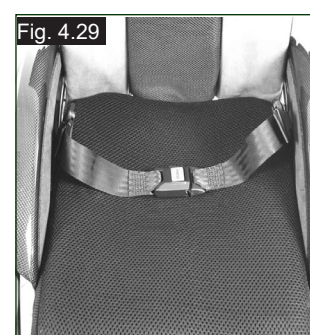
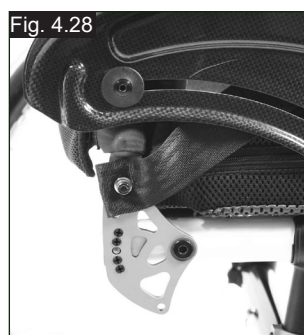
Ceinture pelvienne

DANGER !

- Avant d'utiliser votre fauteuil roulant assurez-vous que la ceinture sous-abdominale soit mise.
- La ceinture sous-abdominale doit être contrôlée quotidiennement
- afin de s'assurer que son fonctionnement n'est pas altéré par des éléments divers ou par l'usure.
- Toujours vérifier que la ceinture sous-abdominale est bien fixée et correctement réglée avant d'utiliser le fauteuil. Une sangle trop lâche peut entraîner le glissement de l'utilisateur et causer un risque de suffocation ou des blessures graves.

La ceinture sous-abdominale est fixée sur le fauteuil comme représenté dans l'illustration. La ceinture de sécurité se compose de 2 moitiés. Elles sont installées en utilisant le boulon de maintien existant du siège fixé à travers l'œillet de la ceinture. La ceinture est passée sous l'arrière du panneau latéral. (Fig. 4.28)

Ajustez la position de la ceinture afin que les attaches soient au centre du siège. (Fig. 4.29)



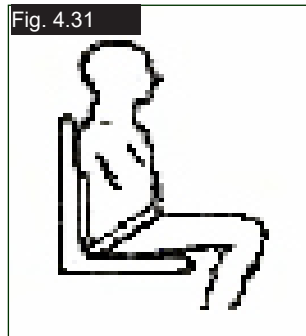
Ajustez la ceinture sous-abdominale afin de convenir aux besoins de l'utilisateur comme ci-après :

Pour réduire la longueur de la ceinture	Pour augmenter la longueur de la ceinture
<p>Passez la ceinture par l'attache male et le dispositif de réglage coulissant. Assurez-vous que la ceinture n'ait pas de nœud au niveau de l'attache male.</p>	<p>Passez la ceinture par les dispositifs de réglage coulissant et l'attache male afin d'obtenir plus de longueur de ceinture.</p>

Une fois la ceinture attachée, vérifiez l'espace entre la ceinture pelvienne et l'utilisateur : Si la ceinture est correctement réglée, vous pouvez passer la main à plat entre la ceinture sous-abdominale et l'utilisateur. (Fig. 4.34)

Ceinture pelvienne...

La ceinture sous-abdominale doit être fixée de façon à ce que la ceinture soit à un angle de 45 degrés au travers du bassin de l'utilisateur. L'utilisateur doit être bien droit et le plus à l'arrière possible dans le siège quand réglée correctement. La ceinture sous-abdominale ne doit pas permettre à l'utilisateur de glisser du siège.
(Fig. 4.30)



Pour attacher la ceinture :
Poussez l'attache male de façon ferme dans l'attache femelle.

Pour retirer la ceinture :
Appuyez sur les parties exposées de l'attache male vers le centre tout en tirant doucement pour les séparer.

⚠ AVERTISSEMENT !

- Si vous avez des doutes au sujet de l'utilisation et de la manipulation de la ceinture demandez l'assistance de votre professionnel de la santé, de votre fournisseur du fauteuil roulant, de votre aide-soignant ou de votre tierce personne.
- Pour installer une ceinture sous-abdominale, contactez votre revendeur agréé Sunrise Medical.
- La ceinture sous-abdominale doit être contrôlée quotidiennement afin de s'assurer que l'ajustement est correct et que son fonctionnement n'est pas altéré par des éléments divers ou par l'usure.
- Sunrise Medical déconseille le transport de toute personne dans un véhicule utilisant la ceinture sous-abdominale en tant que moyen de retenue.



Veillez consulter la brochure du transit Sunrise Medical afin d'obtenir des conseils sur le transport des personnes.

Entretien :

Vérifiez régulièrement l'état de la ceinture et des composants de retenue afin de détecter l'apparition d'éventuels signes d'endommagement ou de déchirure. Remplacez la ceinture, si nécessaire.

⚠ AVERTISSEMENT

La ceinture sous-abdominale doit être réglée de façon à s'adapter à l'utilisateur comme détaillé ci-dessus. Sunrise Medical recommande que la longueur et l'ajustement de la ceinture soient vérifiés régulièrement afin de réduire les risques de réajustement de la ceinture à une longueur excessive causés par inadvertance par l'utilisateur final.

5.0 Pneus et montage des pneus

Le fauteuil est équipé de série de pneus à bandage en caoutchouc.

Avec des pneus à chambre à air, veillez à toujours avoir la bonne pression, à défaut de quoi la performance du fauteuil pourrait être affectée. Quand la pression est insuffisante, il faut dépenser plus d'énergie car la résistance du fauteuil est très élevée. La maniabilité du fauteuil en est réduite. Le pneu peut éclater si la pression est trop élevée. La pression correcte est indiquée sur la surface du pneu.

Les pneus se montent comme des pneus de vélo courants. Avant de remplacer la chambre à air, inspectez la jante et la paroi interne du pneu et enlevez tout éventuel corps étranger. Vérifiez la pression des pneus après le montage ou la réparation. Une pression correcte et un excellent état des pneus constituent des conditions essentielles pour votre sécurité et le comportement du fauteuil.

6.0 Maintenance et entretien

- Vérifiez la pression des pneus toutes les 4 semaines. Inspectez tous les pneus pour repérer tout éventuel signe d'usure ou d'endommagement.
- Vérifiez l'état des freins une fois par mois pour être certain qu'ils fonctionnent correctement et qu'ils sont faciles à utiliser.
- Les pneus se montent comme des pneus de vélo courants.
- Toutes les jointures essentielles au fonctionnement sécurisé de votre fauteuil sont dotées d'écrous autofreinés. Vérifiez SVP tous les trois mois que les raccords vissés (voir la section des couples de serrage) sont solides. Les écrous de sécurité ne doivent être utilisés qu'une seule fois. Après une utilisation répétée, vous devez remplacer ces écrous.
- Quand votre fauteuil est sale, nettoyez-le uniquement avec un nettoyant ménager doux. Pour nettoyer la toile du siège, n'utilisez qu'une solution savonneuse.
- N'utilisez que des pièces d'origine ayant été approuvées par Sunrise Medical. N'utilisez pas des pièces provenant de fabricants tiers qui n'auraient pas été approuvés par Sunrise Medical.

6.0 Maintenance et entretien...

- Si votre fauteuil est humide, séchez-le SVP après utilisation.
- Tous les deux mois environ, appliquez une petite quantité d'huile pour machine à coudre sur les axes à libération rapide. Suivant l'utilisation que vous faites de votre fauteuil, nous vous recommandons de demander à votre revendeur d'effectuer un contrôle de votre fauteuil tous les 6 mois.
- Si vous souhaitez entreposer le fauteuil pendant une période prolongée, aucune mesure supplémentaire n'est requise. Veillez à entreposer le fauteuil roulant à température ambiante dans un endroit sec, à l'abri du soleil. Avant de le réutiliser, le fauteuil roulant doit faire l'objet d'une révision effectuée par un revendeur agréé.

ATTENTION !

Le sable et l'eau de mer (les projections de sel en hiver) endommagent la suspension des roues avant et des roues arrière. Nettoyez bien le fauteuil s'il a été exposé à ces éléments.

Les pièces suivantes sont amovibles et peuvent être renvoyées au fabricant/revendeur pour être réparées :

- Roues arrière
- Accoudoir
- Roulettes anti-basculer

Ces composants sont disponibles comme pièces détachées. Pour de plus amples informations, consultez le catalogue des pièces détachées.

Mesure d'hygiène en cas de cession du fauteuil :

Avant de laisser une autre personne utiliser le fauteuil, il convient de l'apprêter soigneusement. Toutes les surfaces entrant en contact avec le nouvel utilisateur doivent être désinfectées.

Pour ce faire, vous devez utiliser un désinfectant figurant dans la liste des produits homologués / recommandés dans votre pays, pour une désinfection rapide à base d'alcool pour produits et appareils médicaux nécessitant d'être désinfectés rapidement.

Veillez prendre connaissance des instructions du fabricant du produit désinfectant utilisé.

En règle générale, une désinfection totale ne peut être garantie sur les coutures. Par conséquent et conformément à la réglementation locale relative à la protection contre les infections, il est recommandé de mettre au rebut la toile de l'assise et du dossier afin d'éviter toute contamination microbactérienne par les agents actifs.

7.0 Mise au rebut / Recyclage des matériaux

Si ce fauteuil a été mis à votre disposition gratuitement, il ne vous appartient pas. Si vous n'en avez plus usage, veuillez le rendre à l'organisation qui vous l'a fourni.

La section suivante décrit les différents matériaux composant le fauteuil en vue de la mise au rebut ou du recyclage du fauteuil et de ses matériaux d'emballage.

Vous devez respecter toute éventuelle réglementation spécifique en vigueur dans votre localité pour la mise au rebut et le recyclage. (notamment le nettoyage ou la décontamination du fauteuil roulant avant sa mise au rebut).

Aluminium : Fourches, roues, protège-vêtement, cadre des accoudoirs, repose-pieds, poignées de poussée.

Fibre de carbone : Montants du châssis, axes, support d'axe et tubes de dossier.

Acier : Points d'arrimage, axe à déverrouillage rapide

Plastique : Poignées, capuchons des tubes, roues avant, palettes, manchettes et roue/pneu de 12 pouces

Emballage : Sacs en plastique composés de polyéthylène, cartons

Garniture : Polyester tissé à revêtement PVC et mousse expansée à combustion modifiée.

La mise au rebut ou le recyclage doit être assuré par un agent spécialisé ou une décharge agréée. Vous pouvez également renvoyer votre fauteuil roulant à votre revendeur qui se chargera de sa mise au rebut.



8.0 Dépannage

Le fauteuil tire sur le côté

- Vérifiez la pression des pneus
- Vérifiez que la roue (roulement, axe) roule sans problèmes
- Vérifiez l'angle des roues avant
- Vérifiez que les deux roues avant sont en contact avec le sol.

Les roues avant oscillent

- Vérifiez l'angle des roues avant
- Vérifiez que les visseries sont fixes, resserrez-les le cas échéant (voir la page des couples de serrage)
- Vérifiez que les deux roues avant sont en contact avec le sol.

Fauteuil / les tubes du croisillon ne s'enclenchent pas dans le guide du siège

- Le fauteuil est encore neuf et la toile du siège ou du dossier est encore rêche. Cela changera avec le temps.

Le fauteuil est difficile à plier :

- La toile du dossier est trop tendue. Détendez-la un peu.

Le fauteuil grince et cliquette

- Vérifiez que les visseries sont fixes, resserrez-les le cas échéant (voir la page des couples de serrage)
- Graissez légèrement les parties articulées.

Le fauteuil a du jeu

- Vérifiez l'angle des roues avant
- Vérifiez la pression des pneus
- Regardez si les roues arrière sont réglées de différente manière.

9.0 Plaque signalétique

Plaque signalétique

La plaque signalétique se trouve sur les tubes du croisillon, ainsi que sur une étiquette dans le manuel d'utilisation. La plaque indique la dénomination exacte du modèle et fournit diverses informations techniques. Pour une commande de pièces de rechange ou une réclamation, indiquez SVP les informations suivantes :

- Numéro de série
- Numéro de commande
- Mois/année

ECHANTILLON

	 Sunrise Medical GmbH Kahlbachring 2-4 D-69254 Malsch / Germany	 2021-04-09
TYPE:	Rollstuhl	SN 203211733451939
Krypton R	ISO 7176-19:2008	
 125 kg	 max 10°	 360 mm
 420 mm		

TYPE:	Désignation du produit/Numéro de SKU.
 max X°	Pente maximale pouvant être abordée par le fauteuil équipé de roulettes anti-bascule. Dépend de la configuration du fauteuil, de la posture et des capacités physiques de l'utilisateur.
 XXX mm	Largeur du siège.
 XXX mm	Profondeur (maximale).
 XXX kg	Charge maximale
	Marquage UKCA.
	Marquage CE.
	Veuillez prendre connaissance des consignes d'utilisation
 XXXX-XX-XX	Date de fabrication.
	Numéro de série.
	Ce symbole signifie dispositif médical.
	Coordonnée du fabricant
	Fait l'objet d'essais de collision conformément à la norme ISO 7176-19:2008.
	Adresse de l'importateur
	Personne responsable au Royaume-Uni
	Adresse du représentant en Suisse

10.0 Garantie

VOS DROITS LÉGAUX NE SONT PAS LIMITÉS PAR CETTE GARANTIE.

La garantie de Sunrise Medical* s'applique à tous les fauteuils selon les conditions suivantes.

Conditions de garantie

1. Si une ou plusieurs pièces du fauteuil devaient être réparées ou échangées suite à un vice de fabrication dans les 24 mois suivant la livraison à l'acheteur, la ou les pièces seront réparées ou échangées gratuitement. La garantie couvre exclusivement les vices de fabrication.
2. Pour faire jouer la garantie, veuillez informer immédiatement le service client de Sunrise Medical et fournir une description précise du problème. Si vous vous trouvez dans une localité autre que celle de votre service après-vente Sunrise Medical, la réparation ou le remplacement pourra, en vertu des conditions de garantie, être effectué par un autre service après-vente désigné par le fabricant. Toute réparation doit être effectuée par un centre de service client/revendeur désigné par Sunrise Medical.
3. Toute pièce réparée ou échangée dans le cadre de la garantie est couverte par la garantie pour la période restante conformément au point 1.
4. Concernant les pièces détachées d'origine installées ultérieurement et au frais du client, celles-ci sont couvertes par une garantie de 12 mois (à compter de l'installation), conformément aux présentes conditions de garantie.
5. La garantie ne peut être actionnée si la réparation ou l'échange du fauteuil ou d'une pièce découle de l'un des cas de figure suivants :
 - a. Usure normale des composants tels que les batteries, accoudoirs, sièges et dossier, coussins, pneus, freins, etc.
 - b. Surcharge : vérifiez la charge maximale permise indiquée sur la plaque signalétique.
 - c. Le produit n'a pas été entretenu ou révisé conformément aux recommandations du fabricant, telles qu'indiquées dans le manuel d'utilisation et/ou les notices d'entretien.
 - d. Les accessoires utilisés ne sont pas des accessoires d'origine.
 - e. Le fauteuil roulant - ou l'une de ses pièces - a été endommagé suite à un mauvais entretien, à un accident ou à une utilisation inadéquate.
 - f. Changements/modifications non conformes aux spécifications du fabricant effectués sur le fauteuil ou des pièces.
 - g. Les réparations ont été effectuées avant d'en avoir informé le service client.
6. Cette garantie est soumise à la loi du pays d'achat du produit Sunrise Medical.

* Site Sunrise Medical où le produit a été acheté.

11.0 Caractéristiques techniques

Largeur totale :

Avec roues standard 635 mm, avec main courante et carrossage de 6° : LS + 300 mm

Longueur totale : 840 mm avec largeur siège de 48

Hauteur totale : 950 mm avec hauteur du dossier de 45 mm

Poids en kg : à partir de 6,2 kg

Charge maximum :

Krypton R 125 kg

Hauteurs du siège :

Le châssis, la fourche, les roues avant et la taille des roues arrière (610 mm - 635 mm) déterminent la hauteur du siège pouvant être atteinte.

Norm		Min.	Max.	Norm		Min.	Max.
	Longueur totale avec repose-pied	700 mm	840 mm		Angle de la surface de l'assise	0°	15°
	Largeur totale	620 mm	760 mm		Profondeur utile du siège	340 mm	480 mm
	Longueur du fauteuil plié	N/D	N/D		Largeur utile du siège	320 mm	460 mm
	Largeur du fauteuil plié	N/D	N/D		Hauteur de la plaque d'assise (bord frontal)	430 mm	570 mm
	Hauteur du fauteuil plié	N/D	N/D		Angle d'inclinaison du dossier	69°	105°
	Poids total	6,4 kg	13,0 kg		Hauteur du dossier	250 mm	450 mm
	Pente pour freins d'immobilisation	0°	7°		braquage min.		700 mm
	Poids de la pièce la plus lourde	-	2,1 kg avec une roue arrière de 24" *		Distance du repose-pied au siège	360 mm	520 mm
	Stabilité statique en descente	10°	10°		Angle des jambes à l'assise	92°	100°
	Stabilité statique- en montée avec roulettes anti-bascule	10°	10°		Distance du repose-pied à l'assise	N/D	N/D
	Stabilité statique de côté	10°	10°		Emplacement avant de la structure de l'accoudeur	N/D	N/D
	Stabilité dynamique- consommation de puissance en montée	N/D	N/D		Diamètre de la main-courante	540 mm	567 mm
	Surpasser les obstacles	N/D	N/D		Emplacement horizontal de l'axe	20 mm	104 mm

*Roue standard avec main-courante en acier inoxydable

Le fauteuil est conforme aux normes suivantes :

- a) Exigences et méthodes d'essai pour la résistance statique, la résistance aux chocs et la résistance à la fatigue (ISO 7176-8) Oui
- b) Systèmes d'alimentation et de commande des fauteuils roulants électrique – exigences et méthodes d'essai (ISO 7176-14) ND
- c) Essai climatique conformément à ISO 7176-9 ND
- d) Exigences en matière de résistance à l'inflammation des parties rembourrées conformément à ISO 7176-16 (EN 1021-1/2) Oui

Caractéristiques techniques >>>

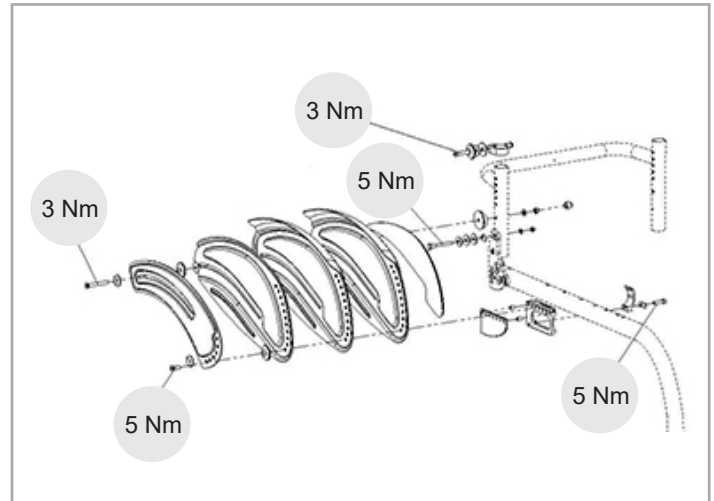
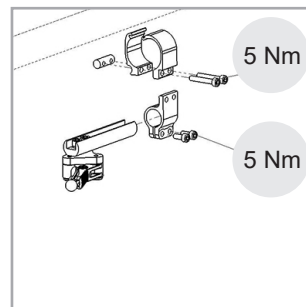
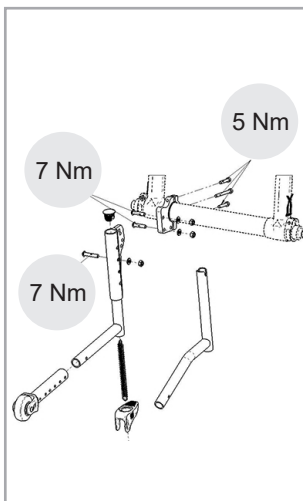
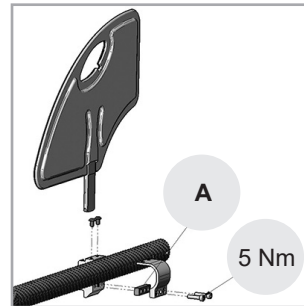
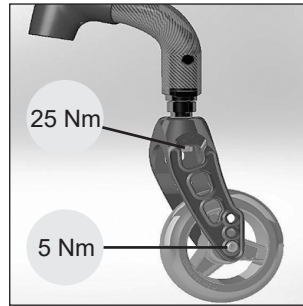
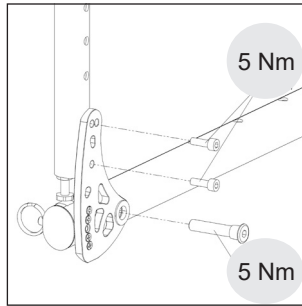
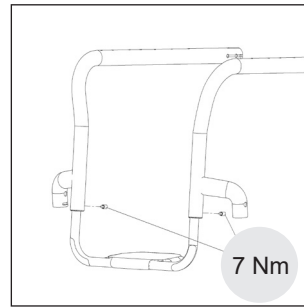
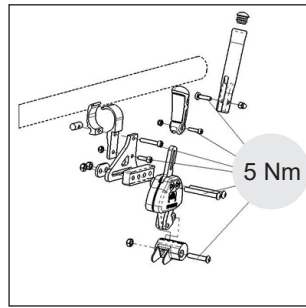
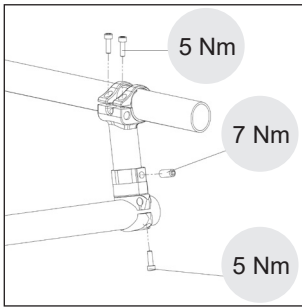
Roue avant	Fourche	Type de châssis	Hauteur avant du siège en mm	Hauteur arrière du siège en mm	
3" (76,2 mm)	98 mm x 32 mm	bas	430	430 - 300	
			440	440 - 310	
			450	450 - 320	
		haut	470	470 - 340	
			480	480 - 350	
			490	490 - 360	
	111 mm x 32 mm	bas	440	440 - 310	
			450	450 - 320	
			460	460 - 330	
		haut	480	480 - 350	
			490	490 - 360	
			500	500 - 370	
	4" (101,6 mm)	98 mm x 32 mm	bas	440	440 - 310
				450	450 - 320
460				460 - 330	
haut			480	480 - 350	
			490	490 - 360	
			500	500 - 370	
111 mm x 32 mm		bas	450	450 - 320	
			460	460 - 330	
			470	470 - 340	
		haut	490	490 - 360	
			500	500 - 370	
			510	510 - 380	
111 mm x 45 mm		bas	450	450 - 320	
			460	460 - 330	
			470	470 - 340	
		haut	490	490 - 360	
			500	500 - 370	
			510	510 - 380	
123 mm x 45 mm		bas	450	450 - 320	
			460	460 - 330	
			470	470 - 340	
			480	480 - 350	
		haut	490	490 - 360	
			500	500 - 370	
	510		510 - 380		
	520		520 - 370		

Caractéristiques techniques ...

FRANÇAIS

Roue avant	Fourche	Type de châssis	Hauteur avant du siège en mm	Hauteur arrière du siège en mm
5" (127 mm)	98 mm x 32 mm	bas	460	460 - 330
			470	470 - 340
		haut	500	500 - 370
			510	510 - 380
	111 mm x 32 mm	bas	460	460 - 330
			470	470 - 340
			480	480 - 350
		haut	500	500 - 370
			510	510 - 380
			520	520 - 390
	111 mm x 45 mm	bas	470	470 - 340
			480	480 - 350
		haut	510	510 - 380
			520	520 - 390
	123 mm x 45 mm	bas	470	470 - 340
			480	480 - 350
490			490 - 360	
500			500 - 370	
haut		510	510 - 380	
		520	520 - 390	
		530	530 - 400	
		540	540 - 410	
6" (152,4 mm)	123 mm x 45 mm	bas	500	500 - 370
			510	510 - 380
		haut	540	540 - 410
			550	550 - 420

12.0 Couple réel



A Pour éviter tout endommagement du tube en carbone, pensez à utiliser l'entretoise.

COUPLE RÉEL.

REMARQUE : Lorsque des valeurs de serrage sont indiquées, il est fortement conseillé d'utiliser une clef torx (non fourni avec le dossier) afin de vérifier le couple de serrage.

En l'absence d'informations précises, le couple de serrage pour M6 est 7 Nm.

ATTENTION : Certaines des vis utilisées au cours de la fabrication sont dotées de frein-filet (point bleu sur le filetage) et peuvent être utilisées au maximum trois fois, après quoi il convient de les remplacer par des vis neuves. Vous pouvez également appliquer une couche de Loctite™ 243 sur les vis avant de les réutiliser.

Inhoudsopgave

Inhoudsopgave	48
Definities	48
Voorwoord	49
Gebruik	49
Toepassingen.	50
1.0 Algemene veiligheidstips en rijbeperkingen	51
2.0 Gebruik	53
3.0 Transport van de rolstoel	53
4.0 Opties	53
Trapdop	53
Remmen	53
Ophangstelsel	55
Instellen van het zwaartepunt voor de Krypton R	56
De hoogte van de voetenplaat instellen	57
Zitsysteem	57
Voorwielen	58
Wielaanpassing	58
Rugleuning	59
Zijkanten	60
Duwhandvat	61
Anti-tip wielen	61
Krukkenhouder	62
Heupgordel	62
5.0 Banden en montage	63
6.0 Algemeen onderhoud	63
7.0 Afvalverwerking / recycling van materialen	64
8.0 Mogelijke problemen	64
9.0 Sticker	65
10.0 Garantie	65
11.0 Technische gegevens	66
12.0 Koppel	69

Definities

3.1 Betekenis van woorden die in deze handleiding worden gebruikt.

Woord	Betekenis
 GEVAAR!	De gebruiker wordt geattendeerd op de kans op ernstig letsel of overlijden indien het advies niet wordt opgevolgd.
 WAARSCHUWING!	De gebruiker wordt geattendeerd op de kans op letsel indien het advies niet wordt opgevolgd.
 OPGELET!	De gebruiker wordt geattendeerd op de kans op schade aan de apparatuur indien het advies niet wordt opgevolgd.
OPMERKING:	Algemeen advies of beste gebruik
	Verwijzing naar aanvullende documentatie

OPMERKING:

De getoonde en beschreven rolstoelen in deze gebruikershandleiding kunnen op sommige punten van uw eigen model afwijken. Alle instructies zijn echter belangrijk, ongeacht de verschillen in detail. De fabrikant houdt zich het recht voor zonder opgave gegevens met betrekking tot gewicht, maten of andere technische gegevens zoals genoemd in deze handleiding, te wijzigen. Alle afbeeldingen, maten en mogelijkheden zoals getoond in deze handleiding zijn slechts indicatief en bevatten geen specificaties.

OPMERKING:

Noteer het adres en telefoonnummer van uw dichtstbijzijnde dealer in de daarvoor bestemde ruimte hieronder. Neem in het geval van storingen contact met de dealer op en probeer zoveel mogelijk relevante informatie te geven zodat hij u snel kan helpen.

Stempel en handtekening dealer

Voorwoord

Beste klant,

Wij zijn erg blij dat u gekozen hebt voor een kwalitatief hoogstaand SUNRISE MEDICAL-product.

In deze gebruikshandleiding vindt u tal van tips en ideeën waarmee u van uw nieuwe rolstoel een betrouwbare partner in uw leven kunt maken.

Wij van Sunrise vinden het heel belangrijk om goede banden met onze klanten te onderhouden. Daarom willen wij u op de hoogte houden van de huidige en de nieuwe ontwikkelingen in ons bedrijf. Een goede band met onze klanten betekent ook: snelle service, uitstekende toegankelijkheid en nauwe samenwerking met onze klanten. Wanneer u vervangende onderdelen of accessoires nodig hebt, of een vraag over uw rolstoel hebt, staan wij voor u klaar.

Wij willen dat u tevreden bent over onze producten en diensten. Bij Sunrise werken we voortdurend aan verdere ontwikkeling van onze producten. Dat maakt dat de vorm, de technologie en de uitrusting van onze producten kan veranderen. Er zijn dan ook geen juridische vorderingen mogelijk op basis van de gegevens of de afbeeldingen in deze gebruikershandleiding.

Het managementsysteem van SUNRISE MEDICAL is gecertificeerd en voldoet aan de ISO 13485 en ISO 14001 normen.



SUNRISE MEDICAL verklaart als fabrikant dat dit product voldoet aan de EU-verordening Medische hulpmiddelen (Medical Device Regulation, MDR) (2017/745).

OPMERKING: Algemeen advies.

Wanneer deze instructies niet worden opgevolgd, kan dit leiden tot fysiek letsel, schade aan het product of schade aan de omgeving!

Een mededeling aan de gebruiker en/of patiënt: Als dit product betrokken was bij een ernstig incident, dient dit aan Sunrise Medical en de bevoegde autoriteit van de Lidstaat waarin de gebruiker en/of patiënt is gevestigd, te worden gemeld.

Built-4-Me speciale aanpassingen

Sunrise Medical adviseert nadrukkelijk alle bij uw Built-4-Me product meegeleverde gebruikersinformatie zorgvuldig door te lezen voordat u het product voor het eerst gebruikt. Alleen wanneer u de gebruiksaanwijzingen volledig hebt doorgelezen en begrijpt, bent u ervan verzekerd dat het Built-4-Me product functioneert en presteert zoals de fabrikant dit heeft bedoeld.

Sunrise Medical adviseert tevens de gebruikersinformatie na het lezen niet weg te gooien, maar het veilig op te bergen, zodat u de informatie later nog eens kunt doornemen.

Combinaties van medische hulpmiddelen

Het is eventueel mogelijk om dit medische hulpmiddel met één of meerdere andere medische hulpmiddelen of een ander product te combineren. Kijk voor informatie over mogelijke combinaties op www.Sunrisemedical.nl Alle op de lijst vermelde combinaties zijn gevalideerd om te voldoen aan de Algemene veiligheids- en prestatievereisten, Bijlage I nr. 14.1 van de MDR - Verordening voor Medische hulpmiddelen (2017/745).

Richtlijnen voor de combinatie, zoals de bevestiging, vindt u op www.SunriseMedical.nl

Heeft u vragen over het gebruik, het onderhoud of de veiligheid van uw rolstoel, neem dan contact op met uw plaatselijke erkende dealer van SUNRISE MEDICAL.

Wanneer er geen erkende dealer in uw regio is, of als u vragen hebt over productveiligheid of het terugroepen van producten, kunt u schriftelijk of telefonisch contact opnemen met Sunrise Medical, of de informatie vinden op www.SunriseMedical.nl.



BELANGRIJK:

GEBRUIK UW ROLSTOEL NIET TOT U DEZE GEBRUIKSAANWIJZING HEEFT GELEZEN EN BEGREPEN.

Sunrise Medical B.V.
Groningehaven 18-20
3433 PE NIEUWEGEIN
The Netherlands
T: +31 (0)30 – 60 82 100
E: info@sunrisemedical.nl
www.SunriseMedical.nl

Gebruik

Rolstoelen zijn uitsluitend bedoeld voor gebruikers, kinderen en volwassenen, die niet kunnen lopen of verminderd mobiel zijn. De rolstoel is bedoeld voor persoonlijk gebruik, zowel binnens- als buitenshuis en kan zelfbewegend zijn of worden voortbewogen door een begeleider.

De maximale belasting (het gewicht van de gebruiker en alle op de rolstoel gemonteerde accessoires) van de lichtgewicht rolstoelen staat vermeld bij het serienummer dat u aantreft op de asbuis onder de zitting.

Aansprakelijkheid wordt uitsluitend geaccepteerd indien het product wordt gebruikt onder die specifieke omstandigheden en voor het doel waarvoor het product is gemaakt. De verwachte levensduur van het product is vijf jaar. Monteer of gebruik GEEN onderdelen van andere partijen op de rolstoel, tenzij deze officieel goedgekeurd zijn door Sunrise Medical.

De dragende onderdelen van deze rolstoel zijn gemaakt van Carbon (feitelijk: een met Carbonvezel versterkt kunststof, of CFRP). Carbon is een buitengewoon sterk materiaal dat wordt gebruikt wanneer er extreme draagcapaciteit met minimaal gewicht wordt vereist.

Onze Carbon onderdelen worden handmatig geproduceerd - onregelmatigheden in het materiaal, oneffenheden op het oppervlak of kleine luchtbelletjes zijn louter visueel en hebben geen invloed op de kwaliteit.

In vergelijking met metaal of andere kunststoffen heeft Carbon enkele afwijkende kenmerken die voor normaal gebruik in overweging genomen moeten worden.

Carbon kan door overbelasting worden beschadigd (inslagen of klappen die buiten het normale gebruik vallen, zoals: vallen, kantelen, of het laten vallen van de rolstoel). Door overbelasting kunnen de Carbon vezels worden beschadigd, of kan delaminatie optreden (scheiding van de vezellagen of scheiding van de vezels van de hars).

Vaak is deze schade aan de buitenzijde niet zichtbaar. Het kan echter leiden tot een verminderde belastbaarheid, of in extreme gevallen, breuk van onderdelen.



GEVAAR!

- Als de rolstoel betrokken was bij een ongeluk, val of wanneer u de rolstoel hebt laten vallen, mag deze omwille van de veiligheid niet meer worden gebruikt en moet hij ter inspectie naar Sunrise Medical worden gestuurd.
- De rolstoel moet regelmatig worden gecontroleerd op schade (scheuren, verkleuringen, etc.).
- Als het oppervlak van de Carbon onderdelen beschadigd is (deuken of krassen die dieper zijn dan de afwerkingslaag), moet de rolstoel ter controle naar Sunrise Medical worden gestuurd.
- Zorg ervoor dat de rolstoel tijdens transport niet in contact komt met andere voorwerpen of bagage (geldt vooral tijdens transport door de lucht). Er mag nooit bagage bovenop de rolstoel worden gezet. Controleer of de rolstoel goed vastgemaakt is, zodat hij niet kan wegglijden.
- Let op eventuele kraakgeluiden wanneer u de rolstoel gebruikt; dergelijke geluiden kunnen wijzen op schade in de vezelstructuur. Stuur, indien van toepassing, de rolstoel ter inspectie naar Sunrise Medical.
- Vervang beschadigde onderdelen direct - schade aan Carbon onderdelen kan niet worden gerepareerd.
- Het is niet toegestaan accessoires van derden, zoals handbikes, voorwielen of andere, niet-standaard toepassingen te gebruiken.
- Overschrijd de voor schroeven en klemmen voorgeschreven draaikracht niet.
- Bevestig nooit verlengingstukken met behulp van klemmen of schroeven.
- Boor nooit een gat in de Carbon onderdelen en wijzig ze niet op mechanische wijze.
- Stel de rolstoel nooit bloot aan hoge temperaturen (bijvoorbeeld als de rolstoel buiten in de zon blijft staan, of als de rolstoel zich in een auto bevindt die in de zon geparkeerd staat), en berg hem niet op in de nabijheid van warmtebronnen.
- Maak de Carbon onderdelen uitsluitend schoon met een vochtige doek en schoon, koud of lauw water. Eventueel kan een schoonmaakmiddel worden toegevoegd.
- Gebruik voor het reinigen nooit een oplosmiddel of een reinigingsmiddel op basis van oplosmiddelen, alcohol of aceton. Gebruik geen was of schurende vernisreiniger.

Toepassingen.

Indicaties

De keuze aan beschikbare accessoires en het modulaire ontwerp betekenen dat de rolstoel kan worden gebruikt door personen die niet kunnen lopen of beperkt mobiel zijn vanwege:

- Verlamming
- Amputatie (van been of benen)
- Disfunctioneren of misvorming van been of benen
- Contractuur van/lletsel aan gewrichten
- Ziektes zoals hart- en vaatziekten, evenwichtsstoornissen of cachexie, neurologische aandoeningen, spierdystrofie, hemiplegie, evenals voor oudere mensen die nog kracht in het bovenlichaam hebben.

Contra-indicaties

De rolstoel mag niet zonder begeleider worden gebruikt bij:

- Waarnemingsstoornissen
- Evenwichtsstoornissen
- Verlies van beide armen, indien niet door een zorgverlener begeleid
- Gewrichtscontractuur of beschadiging van gewrichten in beide armen
- Onvermogen om te zitten

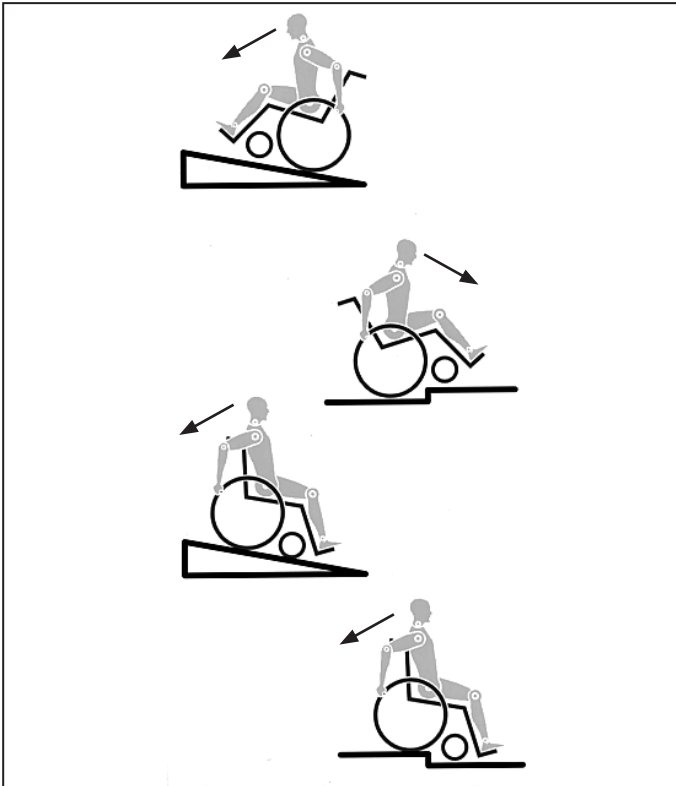
OPMERKING:

NB: het besturen van een rolstoel vereist voldoende cognitieve, fysieke en visuele vaardigheden. De gebruiker moet in staat zijn de effecten van handelingen tijdens het gebruik van de rolstoel te beoordelen en deze zo nodig te corrigeren. Deze vermogens en het veilige gebruik van aanvullend bevestigde onderdelen kunnen niet door Sunrise Medical als fabrikant worden beoordeeld. We kunnen geen aansprakelijkheid voor schade als gevolg hiervan accepteren.

Lees de gebruiksaanwijzing van de rolstoel en de aanvullend aangebrachte onderdelen door. Instrueer de gebruiker over het veilige gebruik van de rolstoel en de aanvullend bevestigde onderdelen. Informeer gebruikers over specifieke waarschuwingen die gelezen, begrepen en gerespecteerd moeten worden.

Wanneer levering/aanschaf van een rolstoel wordt overwogen, neem dan de volgende zaken in overweging: lichaamsgrootte, gewicht, fysieke en psychische toestand, leeftijd, leefomstandigheden en -omgeving.

1.0 Algemene veiligheidstips en rijbeperkingen



De techniek en constructie van deze rolstoel zijn ontworpen voor het bieden van maximale veiligheid. Aan de momenteel van kracht zijnde internationale veiligheidsnormen is voldaan en zij zijn overtroffen. Toch kunnen gebruikers zichzelf in gevaar brengen door onjuist gebruik van hun rolstoel. Voor uw eigen veiligheid moeten de volgende regels absoluut worden opgevolgd.

Onprofessionele of foutieve aanpassingen of instellingen kunnen de kans op ongelukken vergroten. Als rolstoelgebruiker maakt u, net als andere weggebruikers, deel uit van het dagelijkse verkeer op straten en trottoirs. Wij herinneren u er aan dat u daardoor ook onderworpen bent aan alle verkeerswetgeving.

Wees voorzichtig tijdens uw eerste rit in deze rolstoel. Leer uw rolstoel kennen.

Voor elk gebruik, moet het volgende worden gecontroleerd:

- Quick release assen op de achterwielen
- Velcro op de zittingen en rugleuningen
- Banden, bandendruk en parkeerremmen.

Alvorens aanpassingen van deze rolstoel te wijzigen, is het belangrijk het bijbehorende deel van de gebruiksaanwijzing te lezen.

Het is mogelijk dat de rolstoel door kuilen of oneffen oppervlakken kan kantelen, in het bijzonder wanneer heuvel op of af wordt gereden. Wanneer over een trede of helling op wordt gereden, moet het lichaam naar voren zijn gebogen.

GEVAAR!

- Overschrijd **NOOIT** de maximale belasting van 125 kg voor bestuurder plus voorwerpen die op de rolstoel worden meegenomen. Let op de informatie betreffende gewichten voor de lichtgewichtopties. Deze worden apart vermeld. Als u de maximale belasting overschrijdt, kan dit leiden tot schade aan de stoel, of u kunt omvallen of omkantelen, de controle verliezen, wat ernstig letsel aan de gebruiker en andere personen tot gevolg kan hebben.

- Draag lichte of reflecterende kleding wanneer u in het donker naar buiten gaat. Zo wordt u gemakkelijker gezien. Zorg ervoor dat de reflectoren op de zij- en achterkant van de rolstoel duidelijk zichtbaar zijn. Sunrise adviseert tevens gebruik te maken van verlichting.
- Om vallen en gevaarlijke situaties te voorkomen, is het verstandig om eerst met uw nieuwe rolstoel te oefenen op een vlakke ondergrond, bij goed zicht.
- Gebruik de voetplaten niet als u in of uit de rolstoel stapt. Deze moeten van tevoren omhoog worden geklapt en zo ver mogelijk naar buiten worden gedraaid. Plaats uzelf altijd zo dicht mogelijk bij de plek waar u wilt gaan zitten.
- Gebruik uw rolstoel alleen voor het daarvoor bestemde doel. Bijvoorbeeld, probeer niet tegen een obstakel op te rijden zonder te remmen (opstapje, trottoirrand) of verschillen in afstapjes.
- De parkeerremmen zijn niet bedoeld om als rem voor uw rolstoel te dienen. Zij dienen er slechts voor om te voorkomen dat uw rolstoel onbedoeld begint te rollen. Wanneer u op een oneffen oppervlak stopt, dient u altijd uw parkeerremmen te gebruiken om weggrollen te voorkomen. Gebruik altijd beide parkeerremmen anders kan uw rolstoel kantelen.
- Onderzoek het effect van het veranderen van het zwaartepunt op het gedrag van de rolstoel op bijvoorbeeld hellingen of wanneer u obstakels neemt. Doe dit met de hulp van een begeleider
- Met extreme instellingen (bijv. achterwielen in de voorste positie) en minder dan perfecte houding, kan de rolstoel zelfs op een effen oppervlak omkantelen.
- Leun met uw bovenlichaam naar voren als u hellingen en opstapjes opgaat.
- Leun met uw bovenlichaam verder naar achteren, wanneer u van een helling of afstapje afgaat. Probeer nooit diagonaal een helling op of af te gaan.
- Gebruik nooit een roltrap, aangezien u hier vanaf kunt vallen wat ernstig letsel kan veroorzaken.
- Gebruik de rolstoel niet op hellingen steiler dan $> 10^\circ$. De werking van de Dynamic beveiliging hangt af van de instellingen van de stoel, de capaciteiten van de gebruiker en de rijstijl. Omdat Sunrise Medical vooraf niet kan voorzien hoe de capaciteiten en rijstijl van de gebruiker is, kan de maximale veilig te nemen helling niet worden bepaald. Daarom moet dit door de gebruiker worden bepaald, samen met een begeleider, die kan voorkomen dat de rolstoel kantelt. Sunrise Medical adviseert onervaren gebruikers veiligheidswielen te laten installeren.
- Het is mogelijk dat de rolstoel door kuilen of oneffen oppervlakken kan kantelen, in het bijzonder wanneer heuvel op of af wordt gereden.
- Gebruik de rolstoel niet op modderige of bevroren (gladde) ondergrond. Daar waar voetgangers niet zijn toegestaan, mag u ook niet met de rolstoel rijden.
- Steek nooit uw handen tussen de spaken of tussen het achterwiel en wielvergrendeling terwijl u rijdt. Dit kan leiden tot letsel aan de handen.
- Met name bij het gebruik van lichtgewicht hoepels, worden vingers gemakkelijk warm bij het remmen op hoge snelheid of op steile hellingen.
- Door zijwaarts te rijden op een helling of glooiing, wordt de kans vergroot dat de rolstoel zijwaarts kantelt.
- Gebruik geen trappen zonder de hulp van een begeleider. Er bestaan middelen om u te helpen, bijv. hellingen op te gaan of de lift te gebruiken. Wij raden u aan deze te gebruiken. Als deze niet beschikbaar zijn, dient de rolstoel naar achteren te worden gekanteld en over de treden te worden geduwd (2 helpers), maar mag nooit worden getild. Wij raden aan dat gebruikers die zwaarder dan 100 kg zijn deze manier om trappen te nemen, niet gebruiken.

- Over het algemeen moeten anti-tip wielen vooraf zodanig worden ingesteld dat ze de treden niet kunnen raken, omdat dit tot een ernstige val zou kunnen leiden. Naderhand moeten de anti-tip wielen weer in de oude positie worden teruggebracht.
- Zorg ervoor dat de begeleider de rolstoel alleen aan stevig bevestigde onderdelen vasthoudt (bijv. niet aan de voetsteunen of zijkant).
- Deze rolstoel is niet ontworpen om te worden gebruikt tijdens gewichtstraining en/of tijdens het gebruik van halters. Gebruik uitsluitend producten die specifiek voor dit doel zijn ontworpen.
- De stangen aan de achterzijde en de duwhendels zijn niet bedoeld om de stoel op te tillen of te dragen.
- Wanneer u de rolstoellift gebruikt, dient u ervoor te zorgen dat de aangebrachte anti-tip wielen buiten de gevarenszone zijn geplaatst.
- Gebruik de remvergrendeling om de stoel vast te zetten wanneer u zich op ongelijke grond bevindt of wanneer de rolstoel bijvoorbeeld in een auto wordt geplaatst.
- Wanneer gebruik wordt gemaakt van een speciaal voor gehandicaptenvervoer ingericht voertuig, dienen de personen die worden vervoerd, voor zover mogelijk, gebruik te maken van de stoelen van het voertuig en het juiste gordelsysteem. Alleen op deze wijze genieten de personen optimale bescherming indien een ongeluk plaatsvindt. Wanneer u de veiligheidselementen van SUNRISE MEDICAL en een speciaal ontwikkeld veiligheidssysteem gebruikt, kunnen lichtgewicht rolstoelen tijdens vervoer in een speciaal uitgerust voertuig als stoel worden gebruikt. (Zie het hoofdstuk over "Vervoer").
- Afhankelijk van de diameter en instelling van de zwenkwielen evenals de instelling van het zwaartepunt van de rolstoel, kunnen de zwenkwielen op hoge snelheid beginnen te trillen. Hierdoor kunnen de zwenkwielen geblokkeerd raken en kan de rolstoel omkantelen. Zorg er daarom goed voor dat de zwenkwielen goed zijn aangepast (zie het hoofdstuk "Zwenkwielen"). Rijd met name niet op een helling zonder remmen en rijd op lage snelheid. We raden aan dat nieuwe gebruikers anti-tip gebruiken.
- Met anti-tip kan de stoel niet onbedoeld achterover kantelen. Ze mogen in geen geval de transitwielen vervangen en gebruikt worden om een persoon in een rolstoel te vervoeren als de achterwielen zijn verwijderd.
- Wanneer u naar voorwerpen (die zich voor, aan de zijkant of achter de rolstoel bevinden) reikt, zorg er dan voor dat u niet te ver uit de rolstoel leunt, want als u het zwaartepunt verandert, bestaat het gevaar dat u omkantelt of omver rolt. Als u extra belasting (rugzak of gelijksoortige voorwerpen) aan de buizen van de rugleuning hangt, kan dit van invloed zijn op de stabiliteit aan de achterkant van uw stoel, vooral in combinatie met rugleuningen die achterover kunnen leunen. Hierdoor kan de stoel naar achteren kantelen en letsel veroorzaken.
- Aanpassingen aan uw rolstoel, en in het bijzonder aanpassingen aan onderdelen die voor de veiligheid van belang zijn, moeten worden uitgevoerd door een erkende dealer. Dit geldt voor aanpassing van wielvergrendeling, anti-tipwielen, de hoek en hoogte van de rugleuning, het onderbeenlengte, zwaartepunt, heupgordel, toe-in en camber van het achterwiel, zithoogte en toe-in en de richtingsstabiliteit van de vork van het zwenkwiel.
- Wanneer op de rolstoel gemonteerde mobiliteitsaccessoires worden gebruikt, zoals handbikes, elektrische aandrijfondersteuning, etc. verzeker u er dan van dat uw rolstoel is uitgerust met de juiste, voor dit gebruik goedgekeurde, voorvorken. Neem bij vragen contact op met uw dealer.
- Monteer geen niet-erkende elektronische apparaten, elektrisch of mechanisch aangedreven voortstuwingsapparaten, handfiets, of andere hulpmiddelen aan de rolstoel waardoor het bedoelde gebruik, of de structuur van de rolstoel verandert.
- Alle combinaties met andere medische hulpmiddelen moeten door Sunrise Medical worden goedgekeurd.
- NB: in sommige uitvoeringen kan de rolstoel breder zijn dan 700 mm. In dat geval kan het in bepaalde omstandigheden onmogelijk zijn om sommige, of alle, beschikbare vluchtroutes uit een gebouw te gebruiken. Het kan moeilijker of onmogelijk zijn om met openbaar vervoer te reizen.
- Gebruikers met een amputatie vanaf de dij, moeten anti-tip wielen gebruiken.
- Controleer voor vertrek of de bandenspanning correct is. Voor de achterwielen moet de druk ten minste 3,5 bar (350 kPa). De maximale druk staat aangegeven op de band. De knie-remhendels functioneren alleen bij voldoende bandenspanning en wanneer ze correct zijn ingesteld (zie ook het hoofdstuk "Remmen").
- Indien de zitting of rugbekleding van de rugleuning beschadigd zijn, dient u deze direct te vervangen.
- Wees voorzichtig met vuur, en vooral met brandende sigaretten. De banden van de rugleuning en zitting kunnen vlam vatten.
- Wanneer de rolstoel langdurig blootgesteld wordt aan direct zonlicht, kunnen sommige onderdelen (bijv. frame, beensteunen, remmen, zijkant) heet worden (>41°C).
- Controleer altijd of de quick release assen op de achterwielen goed zijn ingesteld en vergrendeld. Wanneer de knop op de quick release as niet ingedrukt is, kan het achterwiel niet worden verwijderd.

WAARSCHUWING!

- Niet alleen het vermogen van de knie-remhendel maar ook de algemene rij-eigenschappen zijn afhankelijk van de bandenspanning. De rolstoel is aanzienlijk lichter en gemakkelijker te manoeuvreren wanneer de achterwielen op de juiste spanning zijn en beide dezelfde spanning hebben.
- De banden van de rolstoel moeten voldoende profiel hebben! Let op dat u zich aan alle verkeerswetten moet houden wanneer u zich op de openbare weg begeeft.
- Pas altijd goed op uw vingers wanneer u instellingen of onderdelen van de rolstoel wijzigt of aanpast.

WAARSCHUWING!

VERSTIKKINGSGEVAAR - In dit mobiliteitshulpmiddel zijn kleine onderdelen verwerkt die onder bepaalde omstandigheden een verstikkingsgevaar voor kleine kinderen kunnen vormen.

De getoonde en beschreven rolstoelen in deze gebruikershandleiding kunnen op sommige punten van uw eigen model afwijken. Alle instructies zijn echter belangrijk, ongeacht de verschillen in detail.

De fabrikant houdt zich het recht voor zonder opgaaf gegevens met betrekking tot gewicht, maten of andere technische gegevens zoals genoemd in deze handleiding, te wijzigen. Alle afbeeldingen, maten en mogelijkheden zoals getoond in deze handleiding zijn slechts indicatief en bevatten geen specificaties.

2.0 Gebruik

Quick release assen op de achterwielen

De achterwielen zijn uitgerust met quick release assen.

Zo kunt u de wielen zonder gereedschap monteren of verwijderen.

Om een wiel te verwijderen, drukt u gewoon de quick release knop op de as in (1) en trekt u het wiel weg, (Fig. 2.1).



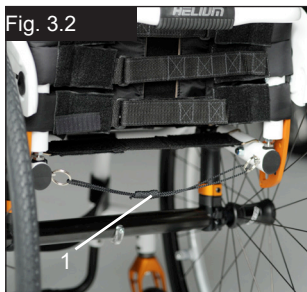
OPGELET!

Houd de quick release as ingedrukt terwijl u de as in het frame steekt om de achterwielen te monteren. Laat de knop los om het wiel op zijn plaats te vergrendelen. De quick release knop zou weer op zijn oorspronkelijke plaats moeten klikken.

3.0 Transport van de rolstoel

Transport van de rolstoel

Door het verwijderen van de achterwielen blijft de rolstoel zo compact mogelijk. De rugleuning kan naar beneden worden gevouwen door aan het koord (1) te trekken (zie afbeelding 3.2) dat zich op de rugleuning bevindt (Fig. 3.1 en 3.2).



Zo kan de rolstoel aan de stangen van het frame en de zitting worden opgetild. Wanneer een lege rolstoel in een voertuig wordt vervoerd, moet hij worden vastgezet of -gebonden.

4.0 Opties

Trapdop

Trapdop

De trapdop kan door begeleiders worden gebruikt om de rolstoel over een obstakel te duwen. Trap gewoon op de buis om een rolstoel bijvoorbeeld over een stoep of een trede te duwen.

WAARSCHUWING!

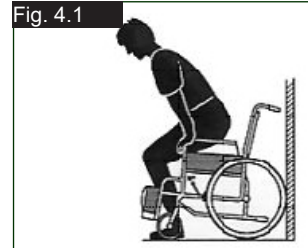
Voor modellen waarbij de rolstoel voornamelijk zal worden voortgeduwd door een begeleider, adviseert Sunrise Medical het gebruik van een trapdop. Er kan schade ontstaan aan het rugframe wanneer u deze voortdurend gebruikt als hendel om de rolstoel naar achteren te trekken of zonder trapdop te kantelen.

Zelf in uw rolstoel stappen

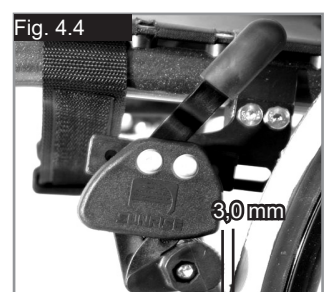
- Duw de rolstoel tegen een muur of een stevig meubelstuk;
- Zet de rem erop;
- De gebruiker kan zich in de rolstoel laten zakken;
- Plaats de voeten vervolgens voor de hielbanden (Fig. 4.1).

Zelf uit uw rolstoel stappen

- Zet de rem erop;
- De persoon dient met een hand op het wiel of de zijbescherming enigszins naar voren te leunen om het lichaamsgewicht naar de voorrand van de stoel over te brengen, en zich dan rechtop te duwen met beide voeten stevig op de vloer en een voet achter de andere (Fig. 4.2).



Remmen



OPGELET!

De remkracht kan worden beïnvloed door onjuiste montage en aanpassing van de remmen. Ook een te lage bandenspanning kan de remkracht beïnvloeden.

Remmen

De rolstoel is uitgerust met twee remmen. Ze komen rechtstreeks op de banden terecht. Om de vergrendelingen te gebruiken, drukt u beide vergrendelingshendels naar voren tot tegen de aanslagen. Om de vergrendeling ongedaan te maken, trekt u de hendels weer naar hun oorspronkelijke positie.

Het remvermogen vermindert wanneer:

- het loopvlak van de band versleten is;
- de bandendruk niet voldoende is;
- de banden nat zijn;
- de remmen niet goed afgesteld zijn.

Remmen...

De parkeerremmen zijn niet bedoeld om als rem voor een bewegende rolstoel te dienen. U mag de remmen dan ook niet gebruiken om een bewegende rolstoel te doen remmen. Rem altijd met behulp van de hoepels. Zorg ervoor dat de afstand tussen de banden en de remmen voldoet aan de vermelde specificaties. Om die afstand aan te passen, draait u schroef los en stelt u de juiste afstand in. Draai vervolgens de schroeven weer aan (Fig. 4.3 en 4.4).

OPGELET!

Telkens wanneer u de achterwielen hebt bijgesteld, moet u nagaan of de afstand tot de remmen in orde is. Pas die indien nodig aan.

Verlenging van de remhendel

Het gebruik van de langere hendel kost u minder moeite om de wielvergrendeling in werking te zetten.

De langere remhendel is door schroeven verbonden aan de remmen. Door deze op te lichten, kan hij naar voren worden gekanteld (Fig. 4.5).

OPGELET!

Wanneer u de wielvergrendeling te dicht bij het wiel monteert, zal deze moeilijker te hanteren zijn. Hierdoor kan de verlengde hendel breken!

De hendel kan ook breken wanneer u op de verlenging gaat leunen tijdens transfers! Opspattend water en vuil van de banden kan slecht functioneren van de wielvergrendelingen veroorzaken.

OPGELET!

Door verkeerde montage van de wielvergrendeling kan het meer moeite kosten om deze gebruiken. Hierdoor kan de verlengde hendel breken!

Compacte wielvergrendeling

De compacte wielvergrendelingen bevinden zich onder de zitmat. Door de wielvergrendelingen naar achteren te trekken, in de richting van de band, worden ze in werking gesteld. Om de remmen goed te laten werken, moet dit helemaal naar achteren getrokken worden, zo ver als mogelijk (Fig. 4.6).

OPGELET!

De bevestigingsbouten van de remmen mogen niet losgedraaid en/of opnieuw vastgedraaid worden.



Wielvergrendeling met eenarmige bediening

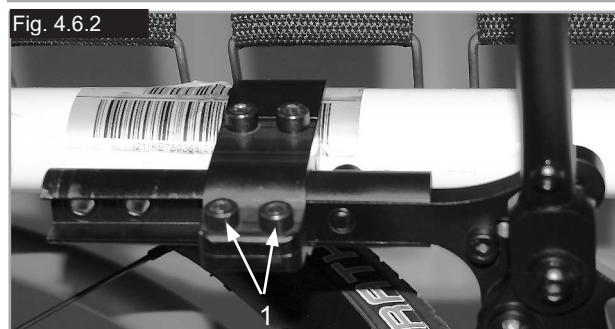
De wielvergrendeling met eenarmige bediening bevindt zich onder de zittingbespanning en wordt bediend via de remhendel die aan de linker- of rechterzijde is geplaatst. Door de hendel naar achteren te trekken, wordt de rem in werking gesteld. Om de remmen goed te laten werken, moet dit helemaal naar achteren getrokken worden, zo ver als mogelijk, (Fig. 4.6.1)

Aanpassing

Om het remsysteem aan te passen, draait u de schroeven (1) los en monteert u de wielvergrendeling daar waar deze goed functioneert (Fig. 4.6.2).

OPGELET!

Een onjuiste montage van de eenarmige wielvergrendeling kan leiden tot ernstig letsel bij de rolstoelgebruiker of andere mensen.



⚠WAARSCHUWING!

De ophanging aan de achterzijde kan de stabiliteit van de rolstoel beïnvloeden. Wanneer u nog niet gewend bent aan het nieuwe systeem, is het verstandig anti-kantelwielen te gebruiken en/of een begeleider te vragen aanwezig te zijn, om ongelukken te voorkomen.

1. Afstellen van de 4-Link achterophanging

- a. om de ophanging strakker af te stellen, draait u de veeraanpassing (E) met de klok mee (wanneer u van onderaf de rolstoel omhoog naar het ophangingsysteem kijkt).
- b. om de ophanging minder strak af te stellen, draait u de veeraanpassing (E) tegen de klok in (wanneer u van onderaf de rolstoel omhoog naar het ophangingsysteem kijkt).

2. Uitlijning van de verbindende ophangarmen

Verstel de ophangarmen (F) niet (Fig. 4.10). Deze zijn afgesteld in de fabriek, om correcte en optimale prestaties van het ophangingsysteem te garanderen. (zie volgende pagina)

Instellen van de inspoor/uitspoor op nul (met gebruik van de door de fabriek gemonteerde afsteller)

Draai de inbuschroeven (G) los (2 per zijde) waarmee de asstang aan beide zijden is bevestigd. Kijk naar de bal in de transparante afsteller in het midden van de asstang, en draai de asstang (C) vervolgens tot de bal zich exact in het midden op het laagste punt van de afsteller bevindt. Het spoor is nu op nul ingesteld (Fig. 4.7, 4.10).

Controleer voor u de schroeven (G) weer vastdraait, of de vlakke oppervlaktes van de camber-adapter van het wiel in de asstang uitsteken aan de buitenzijde van de beugel van de asstang. Het uiteinde van de cilindrische camberadapter moet gelijk zijn aan het uiteinde van de asstang. Draai de schroeven weer aan naar 7 Nm.

Instellen van de inspoor/uitspoor op nul (met gebruik van een 90° instelmeter)

Zet de rolstoel (in zijn geheel) op een vlakke horizontale tafel of grondoppervlak. Draai de inbuschroeven (G) waarmee de asstang aan beide zijden is bevestigd, los (2 per zijde).

Zet vervolgens de instelmeter met een hoek van exact 90° (bijv. een blokhaak) op de vlakke oppervlaktes van de camberadapter (D) (Fig. 4.8, Fig. 4.9). Draai vervolgens de asstang totdat de oppervlaktes van de moersleutel volledig parallel zijn aan het bovenste oppervlak van de instelmeter (fig. 4.8.). Controleer voor u de schroeven (G) weer vastdraait, of de vlakke oppervlaktes van de camber-adapter van het wiel in de asstang uitsteken aan de buitenzijde van de beugel van de asstang. Het uiteinde van de cilindrische camberadapter moet gelijk zijn aan het uiteinde van de asstang. Draai de schroeven weer aan naar 7 Nm.

⚠OPGELET!

Wanneer u de 4-Link achtervering draait, wijzig dan altijd maar één ding tegelijk en maak aantekeningen van iedere wijziging. Dit kost even tijd, maar hierdoor zult u beter begrijpen hoe iedere verandering van invloed is op het rijgedrag van de rolstoel in verband met de achterophanging.

LET OP – Het voelt alsof de onderste schokdemper los zit, maar zo is deze ontworpen. Hierdoor functioneert de ophanging optimaal.

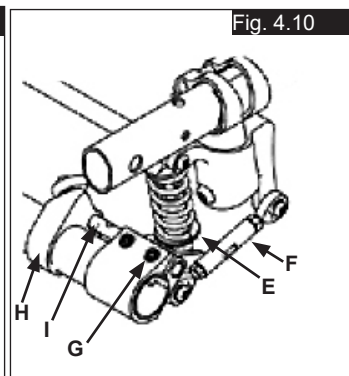
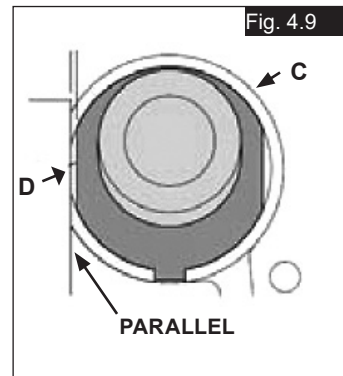
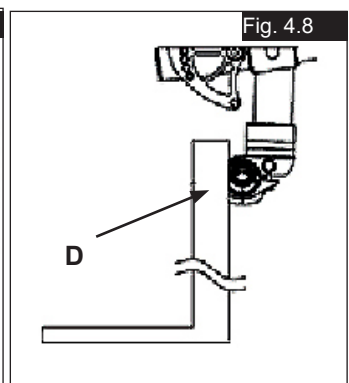
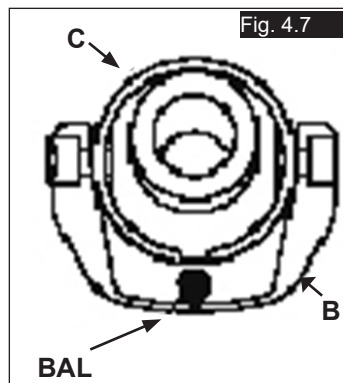
⚠OPGELET!

De schroefverbinding tussen de asbeugel en schokdemper mag nooit losgemaakt worden.

3. Onderhoud

De onderstaande onderhoudswerkzaamheden moeten uitgevoerd worden samen met de algemene onderhoudswerkzaamheden die in hoofdstuk 6.0 worden omschreven.

- a. breng geen smeermiddelen aan op de eindbussen van de schokbrekers of op de veren.
- b. u kunt een smeermiddel op de verbindingstukken aanbrengen nadat u deze met een mild reinigingsmiddel en zachte borstel hebt schoongemaakt.
- c. gebruik een zachte borstel om vuil en modder of stof van de veren af te borstelen.
- d. maak de 4-Link achterophanging nooit met een hogedrukspuit schoon.



Instellen van het zwaartepunt voor de Krypton R

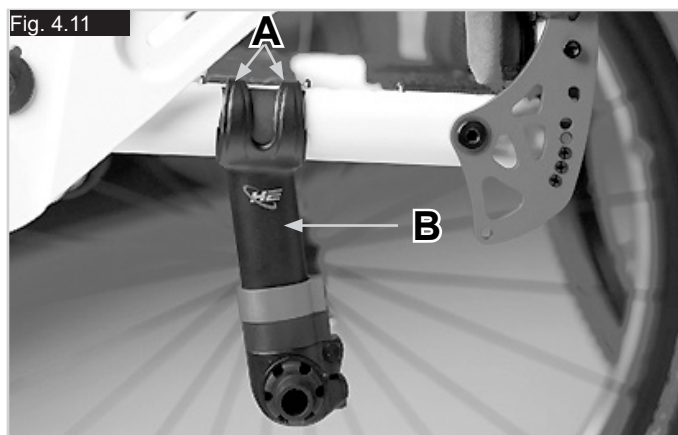
Verwijder de achterwielen. Maak de inbusschroeven (A) aan de bovenkant van de as-schacht (B) aan beide zijden van de rolstoel los (fig. 4.10.6). Duw vervolgens de volledige unit uit de as en duw beide as-schachten voorwaarts op het frame (in de rijrichting) voor een actievere zwaartepuntinstelling, of naar achteren voor een passievere, stabielere zwaartepuntinstelling. Draai de schroeven (A) aan beide zijden vast met 5 Nm. Pas vervolgens de zijbescherming en remmen aan op de nieuwe positie van de wielen.

 **OPGELET!**

NB: het kantelpunt van de rolstoel verandert wanneer het zwaartepunt is gewijzigd. Dit kan betekenen dat u anti-tipwielen moet gebruiken.

 **GEVAAR!**

De remmen moeten worden aangepast aan de nieuwe positie van het zwaartepunt.



De hoogte van de voetenplaat instellen

Aanpassen van de voetsteun

WAARSCHUWING!

- Ga niet op de voetenplaat staan! Zelfs als de gebruiker in de stoel zit, bestaat het gevaar dat de stoel kantelt, wat tot letsel kan leiden.
- Ga niet op de voetenplaat staan bij het overbrengen van de gebruiker. Hierdoor kan de rolstoel kantelen, wat tot letsel kan leiden.

Door de schroef los te maken (1) kunt u de voetsteun aanpassen aan de lengte van uw onderbeen en de voetsteun weer opnieuw bevestigen. De hoek van de voetsteun kan afzonderlijk worden ingesteld door het losdraaien van de schroeven (2). De beugel aan de zijkant van de voetenplaat (3) voorkomt dat uw voeten per ongeluk van de plaat glijden. Controleer na aanpassingen altijd of alle schroeven correct zijn aangedraaid (zie ook de pagina betreffende draaikracht/torque) (Fig. 4.12 - 4.13).



Zitsysteem

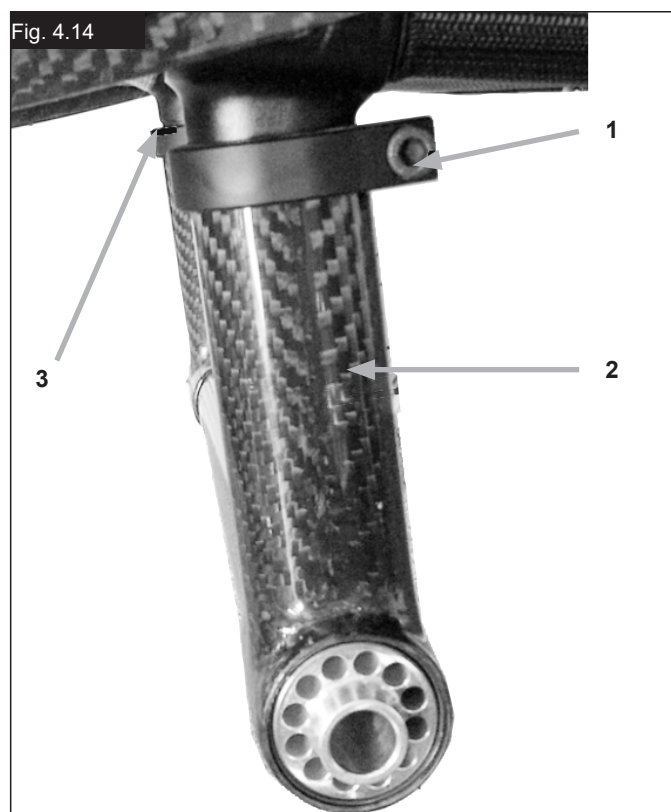
De zittinghoogte instellen

Om de hoogte van de achterzijde van de zitting aan te passen, draait u de inbusschroeven (1) op de asbeugels (2) aan beide zijdes van de rolstoel los.

Om de hoogte van de zitting met 10 mm te verlagen, verwijdert u de pasring (3).

Om de hoogte met 10 mm te verhogen voegt u een pasring toe (meegeleverd bij aflevering).

Draai beide inbusschroeven vervolgens weer aan met 7 Nm draaikracht. (Fig. 4.14)



Voorwielen

Zwenkwiel, aanpassing zwenkwiel, zwenkwielvork

Het kan gebeuren dat de rolstoel iets afwijkt naar links of naar rechts of dat de voorwielen wiebelen. Dat kan door de volgende zaken komen:

- De voorwaartse en/of achterwaartse wielbeweging is niet goed ingesteld.
- De camber is niet goed afgesteld.
- De luchtdruk van het voorwiel en/of van het achterwiel is niet goed; de wielen draaien niet soepel genoeg.

Om de rolstoel in een rechte lijn te laten rijden, moeten de zwenkwielen optimaal worden aangepast.

Telkens wanneer u de positie van het achterwiel hebt laten veranderen, moet u het balhoofd opnieuw aanpassen en de remmen controleren.

Het zwenkwiel instellen

Om ervoor te zorgen dat beide vorken parallel worden ingesteld, moet u de tanden tellen die aan beide kanten zichtbaar zijn. Nadat u de zwenkwielvork heeft ingesteld, zorgen de tanden voor een stevige positie, en kan een aanpassing van 16° met stappen van 2° worden aangebracht. Gebruik de vlakke zijde aan de voorkant van de zwenkwielvork om te controleren dat de positie een rechte hoek met de grond vormt (Fig. 4.15).

Met het gepatenteerde ontwerp kan de zwenkwielvork zodanig worden gedraaid, dat het op een rechte hoek met de grond ingesteld kan worden wanneer de zittinghoek is aangepast.

De voorwaartse stabiliteit instellen

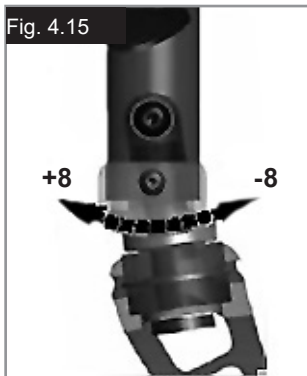
Maak de inbuschroeven (1) aan de onderkant van de vork los. Hierna kunt u de schroef losmaken (2). Nu kunt u de fitting naar links of rechts draaien (3).

Links - de stoel trekt naar links.

Rechts - de stoel trekt naar rechts.

Draai vervolgens de schroeven weer aan (2). Zet de wielvork in een hoek van 90° ten opzichte van de vloer.

Draai vervolgens de schroeven weer aan (1). (Fig. 4.16).



Wielaanpassing

Het toepassen van wielaanpassing

Belangrijk: Om de best mogelijke beweging te krijgen, moeten de achterwielen ingesteld worden op hun optimale positie. Daarom dienen de wielen correct uitgelijnd te zijn.

Meet hiervoor op dezelfde hoogte de afstand tussen beide wielen aan de voor- en achterzijde, om te controleren of ze parallel aan elkaar zijn.

Het verschil tussen beide metingen mag niet meer 5 mm bedragen. Als de afstand groter is, volg dan de onderstaande aanwijzingen om het spoor aan te passen.

Aanpassing spoor Krypton R

De inspoor/uitspoor op nul instellen

OPMERKING: Een rolstoel met 0° as-adapters kan geen inspoor of uitspoor hebben. Deze uitlijning is alleen noodzakelijk bij as-adapters van 3° en 6°.

De uitdrukking 'inspoor' of 'uitspoor' bepaalt hoe de achterwielen uitgelijnd zijn ten opzichte van de grond. Dit bepaalt hoe goed de rolstoel rijdt. Wanneer de rolstoel niet is ingesteld op 'inspoor' of 'uitspoor', is er sprake van een normale weerstand of rolweerstand.

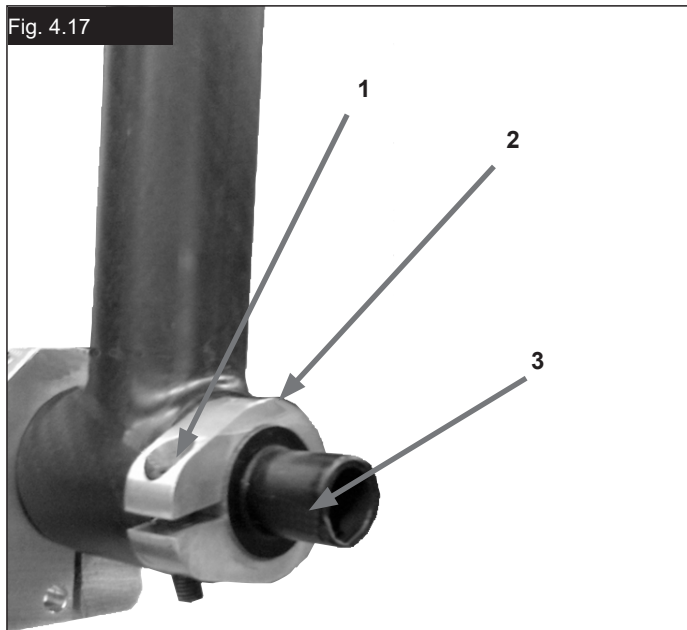
De inspoor/uitspoor op nul instellen: Draai de inbuschroef (1) waarmee de asbeugel (2) van de as-adapter (3) aan beide zijdes van de rolstoel is bevestigd, los. De aan de as-adapter bevestigde moervleugels (3) moeten een hoek van exact 90° hebben ten opzichte van de grond. Om dit te bereiken, gebruikt u een meetinstrument (bijv. een schrijfhak) met een hoek van 90°. Draai vervolgens de as-adapter (3) totdat de oppervlaktes van de moervleugel exact parallel zijn aan het meetinstrument. Doe dit aan beide kanten. Draai vervolgens de inbuschroeven (1) waarmee de asbeugel (2) aan beide zijdes van de rolstoel is bevestigd, weer vast met een draaikracht van 5Nm. (Fig. 4.17).

Aanpassen spoorbreedte (uitsluitend mogelijk met een 3° of 6° camber):

De breedte van het spoor van de achterwielen wordt gedefinieerd als de afstand tussen de achterwielen, en wordt in de fabriek zo afgesteld dat de afstand tussen het aandrijfwiel en het zijdeel ongeveer 12 mm is.

Om de spoorbreedte aan de achterzijde aan te passen, draait u de inbuschroef (1) op de beugel (2) van de as-adapter (3) los en trekt u de as-adapter (3) verder uit de as-stang om het spoor te verbreden, of duwt hem verder in de as-stang om het spoor smaller af te stellen. Draai vervolgens de inbuschroeven (1) waarmee de asbeugel (2) aan beide zijdes van de rolstoel is bevestigd, weer vast met een draaikracht van 5Nm. (Fig. 4.17). Herhaal deze procedure aan de andere kant. Controleer altijd of de as-adapters aan beide kanten evenveel zijn aangepast.

Fig. 4.17



Rugleuning

Rugleuning met verstelbare hoek

De hoek van de rugleuning wordt aangepast door het veranderen van de positie van de pen in de rugleuningmontage. De pen (1) moet volledig op zijn plaats worden geklikt in het gatenpatroon aan beide zijden. Dit geeft u een aanpassingshoek van 8.5°.

Druk de rode plastic pen in de ongebruikte gaten. Om een kleinere toename van de hoek te verkrijgen (3,5°), draait u de inbuschroef (2) open, en plaatst u de schroef in het tweede gat. Gebruik het juiste aandraaimoment (zie matrix) om de schroef aan te draaien (2).

Dit geeft u 12° verandering in de rughoek. Beweeg de pen (1) vervolgens in de tegenovergestelde richting naar het volgende gat, waarmee u $12^\circ - 8^\circ = 3.5^\circ$ verandering krijgt. (Fig. 4.18)

Om de speling in de rugleuning te verminderen, kan de moer (1) worden losgedraaid, waarna de optimale positie met de instellingsschroef kan worden ingesteld(2). Draai daarna de moer (1) weer aan. (Fig. 4.19).



De schroeven moeten vast aangedraaid worden, anders gaat de gewijzigde instelling verloren.

Opvouwbare rugleuning

Maak de rugleuning los door aan het koord te trekken. De rugleuning gelijktijdig naar voren te duwen om hem op te vouwen. Om de rugleuning in zijn oorspronkelijke positie terug te brengen, trekt u hem zo ver mogelijk naar achteren, totdat hij aan beide zijden vergrendeld wordt.

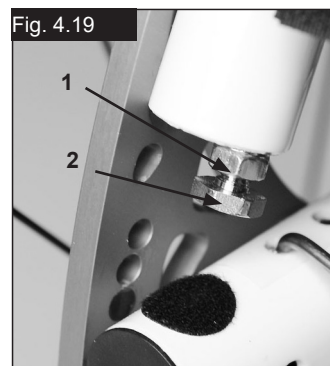


Zorg ervoor dat uw vingers niet beklemd raken bij het naar beneden vouwen van de rugleuning.

Fig. 4.18



Fig. 4.19



Instelbare spanning rugleuning

De spanning van de rugleuning kan worden ingesteld met gebruik van diverse banden.

De bekleding van de rugleuning kan via een opening aan de binnenzijde worden bereikt en aangepast aan individuele voorkeur, (Fig. 4.20).

Hoogteverstelbare rugleuning

De rugleuning kan in stappen van 25 mm op verschillende hoogtes worden ingesteld. Het instelbereik is 250 - 300 mm, 300 - 350 mm, 350 - 400 mm en 400 - 450 mm. Draai de moer (1 en 2) los, verwijder hem en plaats de rugstang in de gewenste positie. Draai de schroef weer vast. (zie de pagina over torque sleutel). (Fig. 4.21)

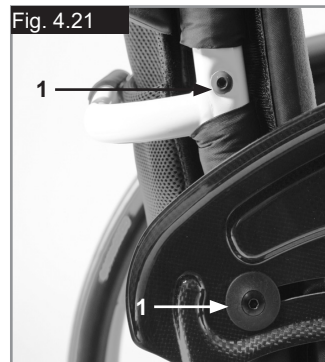


NB: het kantelpunt van de rolstoel verandert wanneer de hoek van de rugleuning of de bekleding van de rugleuning is gewijzigd. Dit kan betekenen dat u anti-tipwielen moet gebruiken.

Fig. 4.20



Fig. 4.21



Centrale ondersteuning

Bevestiging: laat de stang van de armleuning in de houder op het rolstoelframe glijden tot hij niet verder kan.

Aanpassing hoogte:

Trek de stang van de armsteun uit de houder. Stel de positie van de beugel (1) door de schroef (2) te verwijderen, waarna u de beugel in de gewenste positie kunt zetten. Plaats de schroef terug en draai deze weer aan. Laat de stang van de armsteun weer in de houder glijden, (Fig. 4.22).

Positie kussen armleuning:

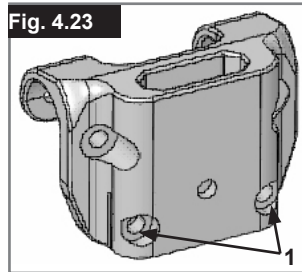
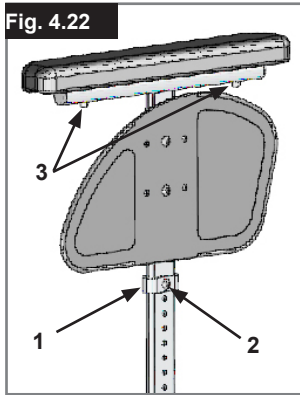
De armleuning (het kussen) kan worden aangepast door de schroeven (3) los te maken, en de armleuning in de gewenste positie te plaatsen. Draai daarna de schroeven weer aan (Fig. 4.22).

Aanpassing armsteunhouder

Door middel van de twee schroeven (1) kan de armsteunhouder strakker of losser worden vastgezet (Fig. 4.23).

Verklaring onderdelen

1. Buitenste armleuning
2. Ontgrendelingshendel
3. Ontkoppelingshendel



Duwhandvat

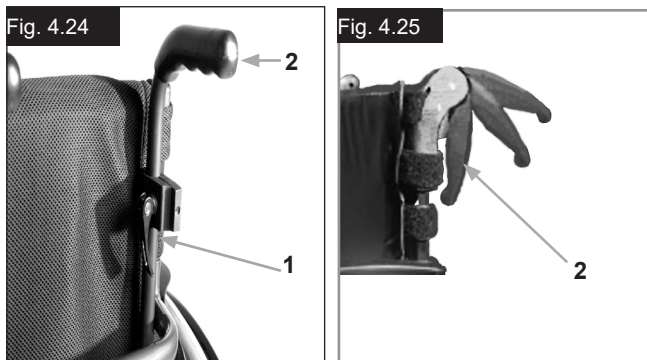
In de hoogte verstelbare duwhandvatten

Die duwhandvatten zijn in hun positie beveiligd door pinnen die voorkomen dat ze per ongeluk wegschuiven. Het openen van de quick release hendel (1) maakt het mogelijk de hoogte van de duwhendels aan te passen (2) aan uw individuele wensen. Wanneer u de hendel beweegt, zult u een vergrendelingsmechanisme horen; u kunt het duwhandvat nu makkelijk in de gewenste positie brengen. De moer bepaalt hoe stevig de duwhandvatten op hun plaats gehouden worden. Als de moer losgedraaid is, zal ook het duwhandvat te los zitten. Draai het duwhandvat naar beide kanten om u ervan te vergewissen dat hij stevig op zijn plaats zit. Nadat u de hoogte van het duwhandvat heeft ingesteld, moet u de fixatiehendel (1) altijd stevig op zijn plaats vastmaken. Als de fixatiehendel niet vergrendeld is, kan dit letsel veroorzaken bij het opgaan van een trap. (Fig. 4.24).

LET OP – Indien de in hoogte verstelbare duwhendels niet op de juiste wijze zijn aangebracht, kan er 'speling' ontstaan of kunnen ze zelfs uit positie raken. Controleer daarom zorgvuldig of de relevante schroeven op de juiste wijze zijn aangedraaid.

Neerklapbare duwhandvatten

Wanneer u de duwhandvatten niet gebruikt, kunt u die neerklappen door op de knop (2) te drukken. Zodra u ze opnieuw nodig hebt, klapt u ze weer naar boven tot ze op hun plaats klikken. (Fig. 4.25).



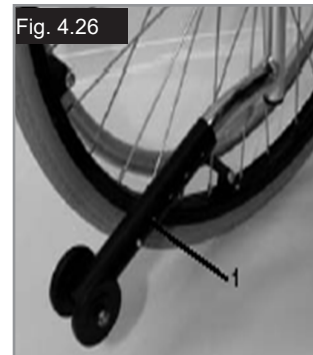
2. De anti-tip wielen instellen

Om de juiste ruimte 25 mm tot 50 mm (1" tot 2") vanaf de grond te bereiken, moeten de anti-tipwielen omhoog of omlaag worden gezet.

Druk op de ontsluitingsknop van de anti-tip wielen, zodat beide ontsluitingspennen naar binnen worden getrokken. Beweeg de binnenbuis omhoog of omlaag om in de aangebrachte hoogtegaten te vallen. Laat de knop los. Breng het tweede anti-tip wiel op dezelfde wijze aan. De hoogte van beide wielen moet gelijk zijn. (Fig. 4.26).

⚠ GEVAAR!

Sunrise Medical adviseert de anti-tip wielen te gebruiken: Indien geen anti-tip wielen zijn aangebracht, of indien deze niet correct zijn aangebracht, ontstaat het gevaar op kantelen en letsel.



Actieve anti-tipwielen / Opklapbaar

De actieve anti-tip is op de linker- of rechterzijde van de asbuis gemonteerd. Door de actieve anti-tip naar de asbuis te duwen, kan hij naar beneden worden geklapt waardoor hij in werking treedt (Fig. 4.27).

⚠ WAARSCHUWING!

Controleer of de anti-tip in de uiteindelijke positie wordt vergrendeld. Een actieve anti-tip die niet is vergrendeld, kan leiden tot ernstig letsel bij de gebruiker.



Anti-tip wielen

⚠ WAARSCHUWING!

Sunrise Medical adviseert anti-tip wielen voor alle rolstoelen. Wanneer u de anti-tip wielen aanbrengt, gebruik een aanzetmoment van 7 Nm.

1. De anti-tip wielen in de klem schuiven:

- a. druk op de knop aan de achterkant van het anti-tip wiel op de anti-tip adapter, zodat beide ontsluitingspennen naar binnen worden getrokken.
- b. schuif de anti-tip wielen (1) in de anti-tip adapter.
- c. draai de veiligheidswielen naar beneden tot de ontsluitingspen in de klem is bevestigd.
- d. breng het tweede anti-tip wiel op dezelfde wijze aan.

Krukkenhouder

Krukkenhouder

Hiermee kunt u krukken meenemen op de rolstoel. De krukkenhouder heeft een velcrolus waarmee u de krukken of andere hulpmiddelen kunt vastmaken.

⚠️ OPGELET!

Probeer de krukken of andere hulpmiddelen nooit al rijdend te verwijderen.

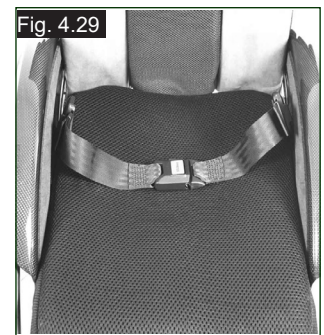
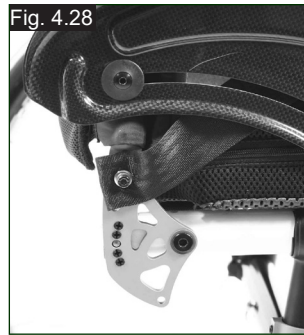
Heupgordel

⚠️ GEVAAR!



- Controleer alvorens de rolstoel te gebruiken of de heupgordel is vastgemaakt.
- De heupgordel moet dagelijks
- worden gecontroleerd op slijtage. Tevens moet worden gecontroleerd of de gordel nergens gehinderd wordt.
- Controleer voor gebruik altijd of de heupgordel op de juiste wijze is bevestigd en op maat is gemaakt. Als de gordel te los zit, kan de rolstoelgebruiker naar beneden glijden en bestaat het gevaar op verstikking of ernstig letsel.

De heupgordel dient aan de rolstoel bevestigd te zijn zoals getoond op de afbeeldingen. De gordel bestaat uit twee delen. Ze worden bevestigd d.m.v. de aanwezige schroef, die door het ringetje van de gordel wordt gestoken. De gordel wordt onder de achterzijde van het zijpaneel geleid. (Fig. 4.28)

Pas de gordel zodanig aan dat de sluiting zich in het midden van de stoel bevindt. (Fig. 4.29)



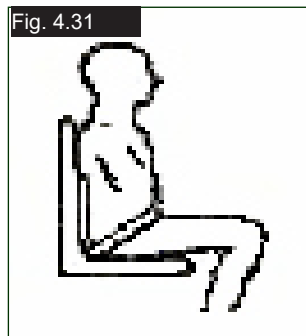
De heupgordel wordt als volgt aangepast aan de wensen van de gebruiker:

Om de lengte van de gordel te verkleinen:	Om de lengte van de gordel te vergroten
	
<p>Haal vervolgens het niet-gebruikte deel van de gordel door de gesp en geleiders. Controleer of de gordel niet om de sluiting is gedraaid.</p>	<p>Om de gordel langer te maken, haalt u het niet-gebruikte deel van de gordel door de geleiders en gesp.</p>

Controleer na het vastmaken de ruimte tussen de gordel en de gebruiker. Als men een vlakke hand tussen de gordel en het lichaam van de gebruiker kan steken (niet meer en niet minder), is de gordel correct aangemeten. (Fig. 4.34)


Heupgordel...

De heupgordel moet zodanig bevestigd worden dat hij in een hoek van 45 graden over het bekken van de gebruiker valt. Bij het op maat maken dient de gebruiker rechtop en zo ver mogelijk naar achteren te zitten. De heupgordel moet voorkomen dat de gebruiker uit de rolstoel glijdt. (Fig. 4.30)



⚠ WAARSCHUWING!

- Indien u vragen of twijfels heeft over het gebruik en de wijze van gebruik van de heupgordel, vraag dan advies aan uw medische begeleider, rolstoeldealer, verzorger of begeleider.
- Neem contact op met uw erkende Sunrise Medical dealer als u een heupgordel opnieuw wilt bevestigen.
- Controleer de gordel dagelijks op slijtage of de gordel goed op maat is en of hij nergens op vastloopt of geklemd wordt.
- Sunrise Medical raadt ten eerste af om tijdens het transport van een persoon in een voertuig deze heupgordel als veiligheidsgordel te gebruiken.

 Zie ook de speciale brochure van Sunrise Medical over transport.

Onderhoud:

Controleer de gordel en de bevestigingsmaterialen geregeld op slijtage of beschadiging. Vervang de gordel indien noodzakelijk.

⚠ WAARSCHUWING

De heupgordel dient aangepast te worden aan de uiteindelijke gebruiker zoals hierboven omschreven. Sunrise Medical adviseert de lengte en bevestiging van de gordel regelmatig te controleren om te voorkomen dat de gordel onbedoeld te lang wordt.

5.0 Banden en montage

Standaard wordt de rolstoel met massieve rubberbanden geleverd.

Wanneer de rolstoel is voorzien van luchtbanden, controleer dan regelmatig of de banden op de juiste spanning zijn. Een onjuiste bandenspanning kan de prestaties van de rolstoel beïnvloeden. Als er niet genoeg druk op de banden staat, zal de rolweerstand toenemen waardoor u een grotere inspanning moet leveren om de rolstoel voort te bewegen; Bovendien maakt een lage bandendruk de rolstoel minder wendbaar. Als de bandendruk te groot is, kan de band springen. De juiste druk voor een bepaalde band staat vermeld op het oppervlak van de band zelf.

De banden zijn op dezelfde manier op de velg aan te brengen als gewone fietsbanden. Alvorens u een nieuwe binnenband oplegt, moet u altijd controleren of er zich geen vreemde voorwerpen bevinden op de basis van de velg en de binnenzijde van de band. Controleer de druk nadat u een band opgelegd of hersteld hebt. Het is voor uw veiligheid en voor de goede werking van uw rolstoel van erg groot belang dat de voorgeschreven luchtdruk altijd gehandhaafd blijft en dat de banden in goede conditie zijn.

6.0 Algemeen onderhoud

- Controleer de bandendruk om de 4 weken. Controleer alle banden op slijtage en beschadiging.
- Controleer de remmen ongeveer om de 4 weken om na te gaan of ze nog goed werken en makkelijk te bedienen zijn.
- Verander de banden zoals u dat bij een gewone fiets zou doen.
- Alle verbindingen die van essentieel belang zijn voor het veilige gebruik van uw rolstoel zijn zelfvergrendelend. Controleer om de 3 maanden of alle bouten stevig vast zitten (zie hoofdstuk over de koppelseutel). U mag borgmoeren maar één keer monteren en u moet ze vervangen na een bepaalde gebruiksperiode.
- Gebruik alleen zachte (niet agressieve) schoonmaakproducten om uw rolstoel schoon te maken. U mag de bekleding van de zitting alleen met water en zeep schoonmaken.
- Het geniet de voorkeur uitsluitend originele, door Sunrise Medical goedgekeurde onderdelen te gebruiken. Gebruik geen onderdelen van andere fabrikanten die niet zijn goedgekeurd door Sunrise Medical.

6.0 Algemeen onderhoud...

- Als uw rolstoel nat wordt, moet u hem na gebruik afdrogen.
- Om de 8 weken ongeveer moet u een klein beetje naaimachine-olie op de quick-release-assen aanbrengen. Afhankelijk van hoe frequent u uw rolstoel gebruikt, raden we aan dat u om de 6 maanden met uw rolstoel naar uw dealer gaat waar gespecialiseerd personeel hem kan nakijken.
- Er zijn geen verdere maatregelen nodig als u de rolstoel voor langere tijd wilt opbergen. Zorg ervoor dat de rolstoel op kamertemperatuur op een droge locatie wordt opgeborgen, beschermd tegen fel zonlicht. Voordat de rolstoel weer in gebruik wordt genomen, moet hij door een erkende dealer worden nagekeken.

OPGELET!

Zand en zeewater (of zout in de winter) kan de rollagers van de voor- en achterwielen beschadigen. Maak de rolstoel grondig schoon nadat die aan zand en zeewater is blootgesteld.

De onderstaande onderdelen kunnen worden verwijderd en voor reparatie teruggezonden naar de fabrikant/dealer:

- Achterwielen
- Armsteunen
- Anti-tip wielen

Deze onderdelen zijn als reserveonderdelen beschikbaar. Meer informatie hierover vindt u in onze onderdelencatalogus.

Hygiënemaatregelen bij hergebruik:

Voordat de rolstoel door een nieuwe gebruiker in gebruik genomen wordt, moet de stoel zorgvuldig worden voorbereid. Alle oppervlaktes waarmee de gebruiker in aanraking komt, moeten behandeld worden met een desinfecterende spray. Hiertoe moet u een desinfectiemiddel gebruiken dat in uw land is toegestaan/wordt geadviseerd voor snelle, op alcohol gebaseerde ontsmetting van medische producten en medische hulpmiddelen die snel gedesinfecteerd moeten worden. Wees u bewust van en volg de instructies van de fabrikant van het desinfecterende middel dat u gebruikt.

Over het algemeen kan op de naden van de rolstoel geen volledige ontsmetting worden gegarandeerd. We adviseren zitting- en rugbanden (slings) te verwijderen volgens de voor u geldende wetgeving inzake infectiebescherming om microbacteriële bestemming met actieve agentia te voorkomen.

7.0 Afvalverwerking / recycling van materialen

Indien u de rolstoel kosteloos hebt verkregen, is de rolstoel niet uw eigendom. Wanneer de rolstoel niet langer nodig is, volg dan de instructies van de organisatie op die de rolstoel beschikbaar heeft gesteld, hoe deze terug te sturen.

Hieronder staan de materialen omschreven zoals deze worden gebruikt in de rolstoel, met betrekking tot de verwerking tot afval en recycling van de rolstoel en zijn verpakking.

Geldende specifieke wetgeving met betrekking tot afvalverwerking en recycling moet in acht worden genomen wanneer de rolstoel het einde van zijn levensduur heeft bereikt. (Mogelijk moet de rolstoel gereinigd of gedesinfecteerd worden alvorens deze naar de afvalverwerking wordt gebracht.)

Aluminium: zwenkwielvorken, wielen, zijbeschermingen van de stoel, frame van de armleuningen, voetsteun, duwhendel.

Carbon: Framestangen, assen, asbeugels, stangen van de rugleuning.

Staal: Bevestigingspunten, quick-release-as.

Plastic: Handgrepen, dopjes van buizen, zwenkwielen, voetplaten, armsteunen en 12" wiel/band

Verpakkingsmateriaal: Plastic zakken gemaakt van zacht polyethyleen, karton.

Bekleding: Geweven polyester met PVC coating en geëxpandeerd gevormd schuim.

Afvalverwerking of recycling dient plaats te vinden via een erkende agent, afvalverwerking met vergunningen. Als alternatief kunt u uw handbike ook terugbrengen naar uw dealer voor verdere afvalverwerking.



8.0 Mogelijke problemen

Rolstoel trekt naar één kant

- Controleer bandendruk
- Controleer of het wiel vlot draait (lagers, as)
- Controleer hoeken van zwenkwielen.
- Controleer of beide voorwielen de grond goed raken.

Voorwielen beginnen te wiebelen

- Controleer hoeken van zwenkwielen.
- Controleer of alle bouten vast zitten; draai ze indien nodig vast (zie hoofdstuk over de koppelsleutel)
- Controleer of beide voorwielen de grond goed raken.

Rolstoel/kruisframe klikt niet op haar plaats in het zittingszadel

- Rolstoel is nog nieuw, d.w.z. dat de zitting of de rugbekleding nog heel stijf is. Dat wordt beter naarmate de stoel meer gebruikt wordt.

Het is moeilijk om de rolstoel in te klappen:

- Verstelbare rugbekleding is te stijf. Maak de losser tot het wel lukt.

Rolstoel piept en rammelt

- Controleer of alle bouten vast zitten; draai ze indien nodig vast (zie hoofdstuk over de koppelsleutel)
- Breng een beetje smeerolie aan op plaatsen waar beweegbare delen met elkaar in contact komen

Rolstoel begint te wiebelen

- Controleer hoek waarin voorwielen ingesteld zijn
- Controleer bandendruk
- Controleer of achterwielen verschillend ingesteld zijn.

9.0 Sticker

Sticker

De sticker bevindt zich of op het kruisframe, of op de dwarsstang van het frame. Ook vindt u een sticker met gegevens in de gebruikershandleiding. Op de sticker met het serienummer staat ook de precieze naam van het model en andere technische gegevens. Wanneer u vervangingsonderdelen bestelt of een schadeclaim indient, moet u de volgende gegevens vermelden:

- Serienummer
- Ordernummer
- Maand/Jaar

VOORBEELD

	Sunrise Medical GmbH Kahlbachring 2-4 D-69254 Malsch / Germany	2021-04-09
TYPE:	Rollstuhl	SN 203211733451939
Krypton R	ISO 7176-19:2008	
125 kg	max 10°	360 mm
	420 mm	

TYPE:	Naam product, SKU nummer
max X°	De maximale veiligheidsmarge bij hellingen met anti-tip wielen hangt onder andere af van de instellingen, postuur en fysieke capaciteiten van de gebruiker.
XXX mm	Breedte zitsysteem.
XXX mm	Diepte (max.)
XXX kg	Maximale belasting.
	UKCA-keurmerk.
	CE-keurmerk.
	Raadpleeg de gebruiksaanwijzing
XXXX-XX-XX	Productiedatum.
	Serienummer.
	Dit symbool betekent Medisch apparaat.
	Adres fabrikant.
ISO 7176-19:2008	Crashtest met goed gevolg doorstaan in overeenstemming met: ISO 7176-19:2008.
	Adres van de importeur
	Verantwoordelijke persoon VK
	Het adres van de vertegenwoordiger in Zwitserland

10.0 Garantie

UWWETTELIJKE RECHTEN WORDEN NIET BEPERKT DOOR DEZE GARANTIE.

Sunrise Medical* biedt al haar klanten voor alle rolstoelen een garantie volgens de onderstaande garantiebepalingen.

Garantievoorwaarden

1. Indien een onderdeel of onderdelen van de rolstoel binnen 24 maanden na levering aan de koper gerepareerd of vervangen moet(en) worden als gevolg van een fabricagefout en/of gebrek in het materiaal, wordt het betreffende onderdeel of de betreffende onderdelen kosteloos gerepareerd of vervangen. Deze garantie geldt uitsluitend voor fabricagefouten.
2. Informeer de klantenservice van Sunrise Medical direct en geef een nauwkeurige omschrijving van het probleem om aanspraak te maken op de garantie. Indien u de rolstoel gebruikt buiten het gebied dat wordt gedekt door de klantenservice van Sunrise Medical, wordt de reparatie of vervanging uitgevoerd door een ander servicepunt dat door de fabrikant wordt aangewezen. De rolstoel moet worden gerepareerd door een door Sunrise Medical aangewezen servicepunt (dealer).
3. Voor onderdelen die binnen het bereik van deze garantiebepalingen zijn gerepareerd of vervangen, bieden we een garantie in overeenstemming met deze garantievoorwaarden voor de resterende garantieperiode voor de rolstoel in overeenstemming met punt 1.
4. Voor originele reserveonderdelen die op kosten van de klant zijn gemonteerd, geldt een garantieperiode van 12 maanden (na montage) in overeenstemming met deze garantiebepalingen.
5. Vorderingen op basis van deze garantie kunnen niet worden gedaan indien een reparatie of vervanging van een rolstoel of een onderdeel daarvan noodzakelijk is vanwege de onderstaande redenen:
 - a. Gewone slijtage aan onderdelen zoals accu's, armsteunen, zittingen, rugleuningen, kussens, banden, remmen, etc.
 - b. Overbelasting van het product. Kijk op de naamplaat voor de maximaal toegestane belasting van het product.
 - c. Het product of onderdeel is niet onderhouden in overeenstemming met de aanbevelingen van de fabrikant, zoals uiteengezet in de gebruikershandleiding en/of de onderhoudsinstructies.
 - d. Er zijn accessoires gebruikt die niet gespecificeerd zijn als originele onderdelen.
 - e. De rolstoel of het onderdeel is beschadigd door nalatigheid, ongeval of onjuist gebruik.
 - f. Veranderingen/wijzigingen aangebracht aan de rolstoel of onderdelen hiervan die afwijken van de specificaties van de fabrikant.
 - g. Reparaties zijn uitgevoerd voordat onze Klantenservice is geïnformeerd over de omstandigheden.
6. Deze garantie wordt beheerst door het recht van het land waarin het product van Sunrise Medical werd aangekocht.

* Locatie van Sunrise Medical waar het product werd gekocht.

11.0 Technische gegevens

Totale breedte:

Met standaard wielen 635 mm (25"), inclusief hoepels met 6° camber: ZB + 300 mm

Totale lengte: 840 mm met ZD 48

Totale hoogte: 950 mm met RH 45

Gewicht in kg: vanaf 6,2 kg

Maximaal gebruikersgewicht:

Krypton R 125 kg

Stoelhoogtes:

De zithoogte die bereikt kan worden, is afhankelijk van de keuze van het frame, vorken en zwenkwielen en de maat van het achterwiel 610 mm - 635 mm, (24", 25").

Norm		Min.	Max.	Norm		Min.	Max.
	Totale lengte zonder voetensteun	700 mm	840 mm		Hoek zittingoppervlak	0°	15°
	Totale breedte	620 mm	760 mm		Effectieve diepte zitsysteem	340 mm	480 mm
	Lengte wanneer ingeklapt	NVT	NVT		Effectieve breedte zitsysteem	320 mm	460 mm
	Breedte wanneer ingeklapt	NVT	NVT		Hoogte oppervlak zitsysteem aan voorkant	430 mm	570 mm
	Hoogte wanneer ingeklapt	NVT	NVT		Hoek rugleuning	69°	105°
	Totaal volume	6,4 kg	13,0 kg		Hoogte rugleuning	250 mm	450 mm
	Helling voor de wielvergrendelingen	0°	7°		draaicirkel		700 mm
	Gewicht van het zwaarste onderdeel	-	2,1 kg met 24" achterwiel		Afstand van de voetsteun naar de zitting	360 mm	520 mm
	Statische stabiliteit heuvelafwaarts	10°	10°		Hoek van been naar zitting	92°	100°
	Statische stabiliteit heuvelopwaarts met anti-tipwielen	10°	10°		Afstand van de voetsteun naar de zitting	NVT	NVT
	Statische stabiliteit zijwaarts	10°	10°		Plaatsing van armsteunstructuur aan voorzijde	NVT	NVT
	Dynamische stabiliteit - elektriciteitsverbruik bij beklimmen hellingen	NVT	NVT		Doorsnee hoepel	540 mm	567 mm
	Nemen van obstakels	NVT	NVT		Horizontale locatie van de as	20 mm	104 mm

*Standaardwiel met roestvrij stalen hoepel

De rolstoel voldoet aan de volgende vereisten:

- | | |
|---|------|
| a) Vereisten en tests voor statische kracht, botsweerstand en vermoeiingsweerstand (ISO 7176-8) | Ja |
| b) Besturings- en controlesystemen voor elektrische rolstoelen, vereisten en test (ISO 7176-14) | nvt. |
| c) Milieutest overeenkomstig ISO 7176-9 | nvt. |
| d) Brandwerendheid van beklede onderdelen overeenkomstig ISO 7176-16 (EN 1021-1/2) | Ja |

Technische gegevens >>>

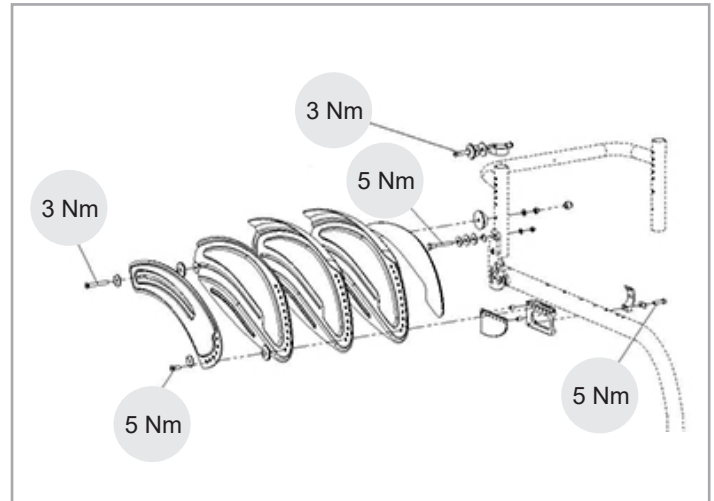
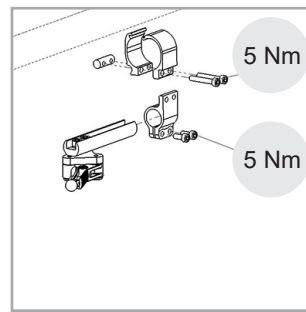
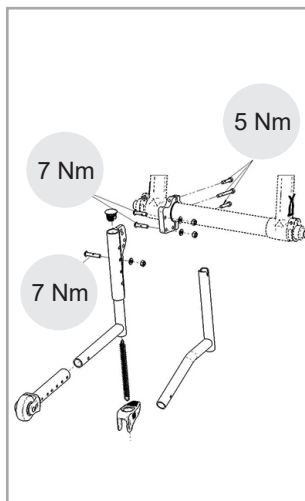
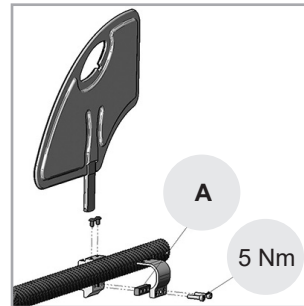
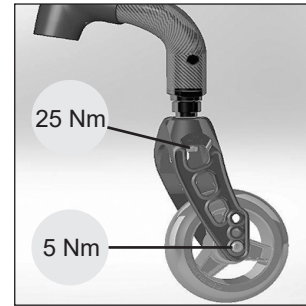
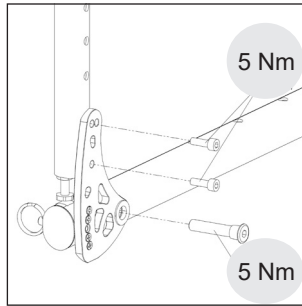
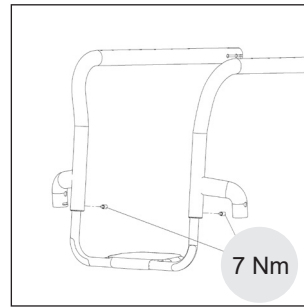
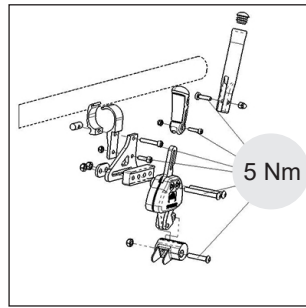
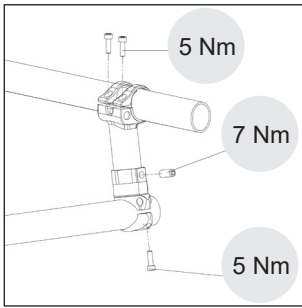
Zwenkwiel	Vork	Type frame	Hoogte voorkant stoel in mm	Hoogte achterkant stoel in mm	
3" (76,2 mm)	98 mm x 32 mm	lage	430	430 - 300	
			440	440 - 310	
			450	450 - 320	
		hoge	470	470 - 340	
			480	480 - 350	
			490	490 - 360	
	111 mm x 32 mm	lage	440	440 - 310	
			450	450 - 320	
			460	460 - 330	
		hoge	480	480 - 350	
			490	490 - 360	
			500	500 - 370	
	4" (101,6 mm)	98 mm x 32 mm	lage	440	440 - 310
				450	450 - 320
460				460 - 330	
hoge			480	480 - 350	
			490	490 - 360	
			500	500 - 370	
111 mm x 32 mm		lage	450	450 - 320	
			460	460 - 330	
			470	470 - 340	
		hoge	490	490 - 360	
			500	500 - 370	
			510	510 - 380	
111 mm x 45 mm		lage	450	450 - 320	
			460	460 - 330	
			470	470 - 340	
		hoge	490	490 - 360	
			500	500 - 370	
			510	510 - 380	
123 mm x 45 mm		lage	450	450 - 320	
			460	460 - 330	
			470	470 - 340	
			480	480 - 350	
		hoge	490	490 - 360	
			500	500 - 370	
	510		510 - 380		
	520		520 - 370		

Technische gegevens ...

NEDERLANDS

Zwenkwiel	Vork	Type frame	Hoogte voorkant stoel in mm	Hoogte achterkant stoel in mm
5" (127 mm)	98 mm x 32 mm	lage	460	460 - 330
			470	470 - 340
		hoge	500	500 - 370
			510	510 - 380
	111 mm x 32 mm	lage	460	460 - 330
			470	470 - 340
			480	480 - 350
		hoge	500	500 - 370
			510	510 - 380
			520	520 - 390
	111 mm x 45 mm	lage	470	470 - 340
			480	480 - 350
		hoge	510	510 - 380
			520	520 - 390
	123 mm x 45 mm	lage	470	470 - 340
			480	480 - 350
490			490 - 360	
500			500 - 370	
hoge		510	510 - 380	
		520	520 - 390	
		530	530 - 400	
		540	540 - 410	
6" (152,4 mm)	123 mm x 45 mm	lage	500	500 - 370
			510	510 - 380
		hoge	540	540 - 410
			550	550 - 420

12.0 Koppel



A Om schade aan de carbon stang te voorkomen, moet er een afstandhouder zijn aangebracht.

KOPPEL.

OPMERKING: Telkens wanneer de vereiste draaikracht (torque) is gespecificeerd, wordt het sterk aanbevolen om met behulp van een draaikrachtsmeter (niet meegeleverd) te controleren of de draaikracht is bereikt. Als er geen andere informatie wordt gegeven, is de draaikracht voor M6 schroeven doorgaans 7 Nm.

OPGELET: Sommige schroeven die tijdens de fabricage worden gebruikt, zijn voorzien van een schroefdraadborgingsmiddel (blauwe stip op de schroefdraad). Deze kunnen drie keer worden losgedraaid en weer vastgedraaid. Hierna moeten ze worden vervangen door nieuwe schroeven, of u moet Loctite™ 243 op de schroeven aanbrengen voordat ze opnieuw worden gebruikt.





Sunrise Medical S.r.l.
Via Riva, 20 – Montale
29122 Piacenza
Italia
Tel.: +39 0523 573111
Fax: +39 0523 570060
www.SunriseMedical.it

Sunrise Medical AG
Erlenauweg 17
CH-3110 Münsingen
Schweiz/Suisse/Svizzera
Fon +41 (0)31 958 3838
Fax +41 (0)31 958 3848
www.SunriseMedical.ch

Sunrise Medical AS
Delitoppen 3
1540 Vestby
Norge
Telefon: +47 66 96 38 00
post@sunrisemedical.no
www.SunriseMedical.no

Sunrise Medical AB
Neogatan 5
431 53 Mölndal
Sweden
Tel.: +46 (0)31 748 37 00
post@sunrisemedical.se
www.SunriseMedical.se

MEDICCO s.r.o.
H – Park, Heršpická 1013/11d,
639 00 Brno
Czech Republic
Tel.: (+420) 547 250 955
Fax: (+420) 547 250 956
www.medicco.cz
info@medicco.cz
Bezplatná linka 800 900 809

Sunrise Medical Aps
Mårkærvej 5-9
2630 Taastrup
Denmark
+45 70 22 43 49
info@sunrisemedical.dk
Sunrisemedical.dk

Sunrise Medical Australia
11 Daniel Street
Wetherill Park NSW 2164
Australia
Ph: +61 2 9678 6600
E: enquiries@sunrisemedical.com.au
www.SunriseMedical.com.au

Sunrise Medical
North American Headquarters
2842 Business Park Avenue
Fresno, CA, 93727, USA
(800) 333-4000
(800) 300-7502
www.SunriseMedical.com



Sunrise Medical GmbH
Kahlbachring 2-4
69254 Malsch/Heidelberg
Deutschland
Tel.: +49 (0) 7253/980-0
Fax: +49 (0) 7253/980-222
www.SunriseMedical.de

Sunrise Medical
Thorns Road
Brierley Hill
West Midlands
DY5 2LD
England
Phone: 0845 605 66 88
Fax: 0845 605 66 89
www.SunriseMedical.co.uk

Sunrise Medical S.L.
Polígono Bakiola, 41
48498 Arrankudiaga – Vizcaya
España
Tel.: +34 (0) 902142434
Fax: +34 (0) 946481575
www.SunriseMedical.es

Sunrise Medical Poland
Sp. z o.o.
ul. Elektronowa 6,
94-103 Łódź
Polska
Telefon: + 48 42 275 83 38
Fax: + 48 42 209 35 23
E-mail: pl@sunrisemedical.de
www.Sunrise-Medical.pl

Sunrise Medical B.V.
Groningenhaven 18-20
3433 PE NIEUWEGEIN
The Netherlands
T: +31 (0)30 – 60 82 100
F: +31 (0)30 – 60 55 880
E: info@sunrisemedical.nl
www.SunriseMedical.nl

Sunrise Medical HCM B.V.
Vossenbeemd 104
5705 CL Helmond
The Netherlands
T: +31 (0)492 593 888
E: customerservice@sunrisemedical.nl
www.SunriseMedical.nl
www.SunriseMedical.eu
(International)

Sunrise Medical SAS
ZAC de la Vrillonnerie
17 Rue Michaël Faraday
37170 Chambray-Lès-Tours
Tel : +33 (0) 2 47 55 44 00
Email: info@sunrisemedical.fr
www.sunrisemedical.fr



OM_Krypton R_EU_EN_FR_NL_Rev.E