

Spare parts catalogue

Diamond



© 03-06-2016 Nijland Cycling

All rights reserved.

The information provided herein may not be reproduced and/or published in any form, by print, photo print, microfilm or any other means whatsoever (electronically or mechanically) without the prior written authorization of Nijland Cycling.

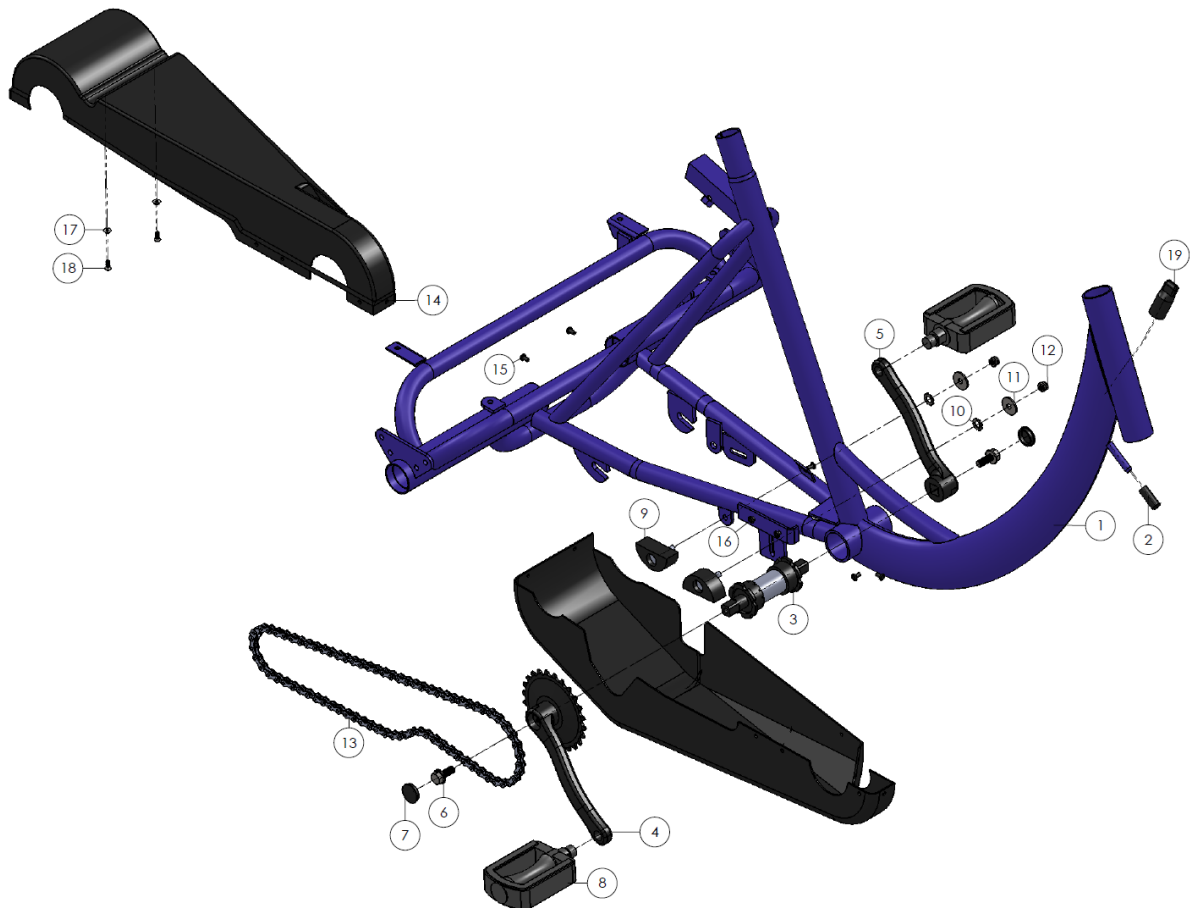
The information provided is valid for the products of these spare parts lists.

The available information has been prepared with all possible diligence, but Nijland Cycling cannot be held liable for possible errors in the information or the consequences thereof.

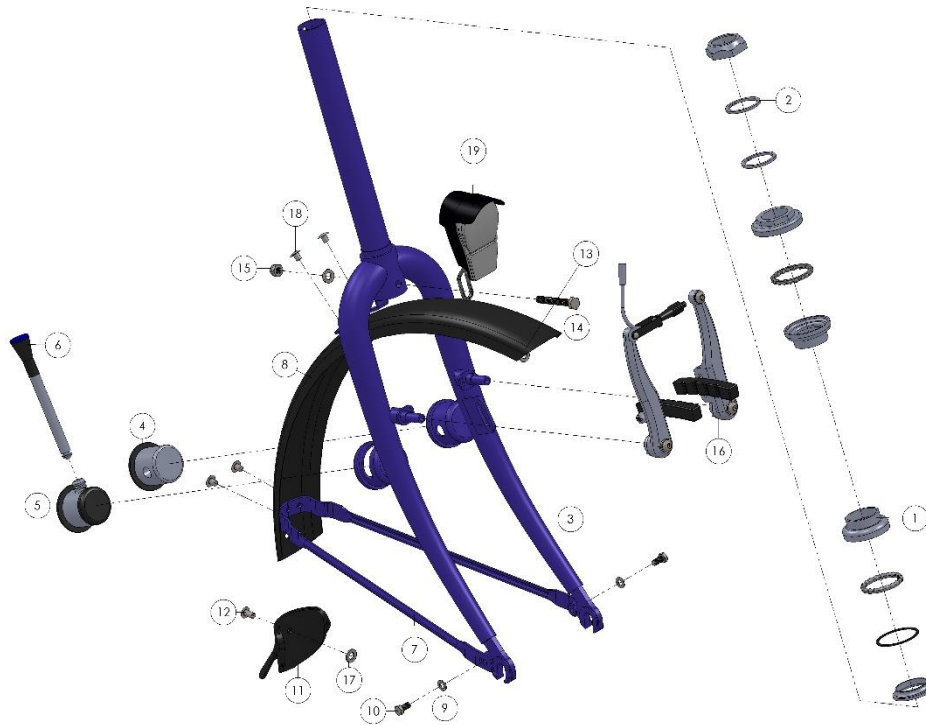
Nijland Cycling accepts no liability for loss resulting from work executed by third parties.



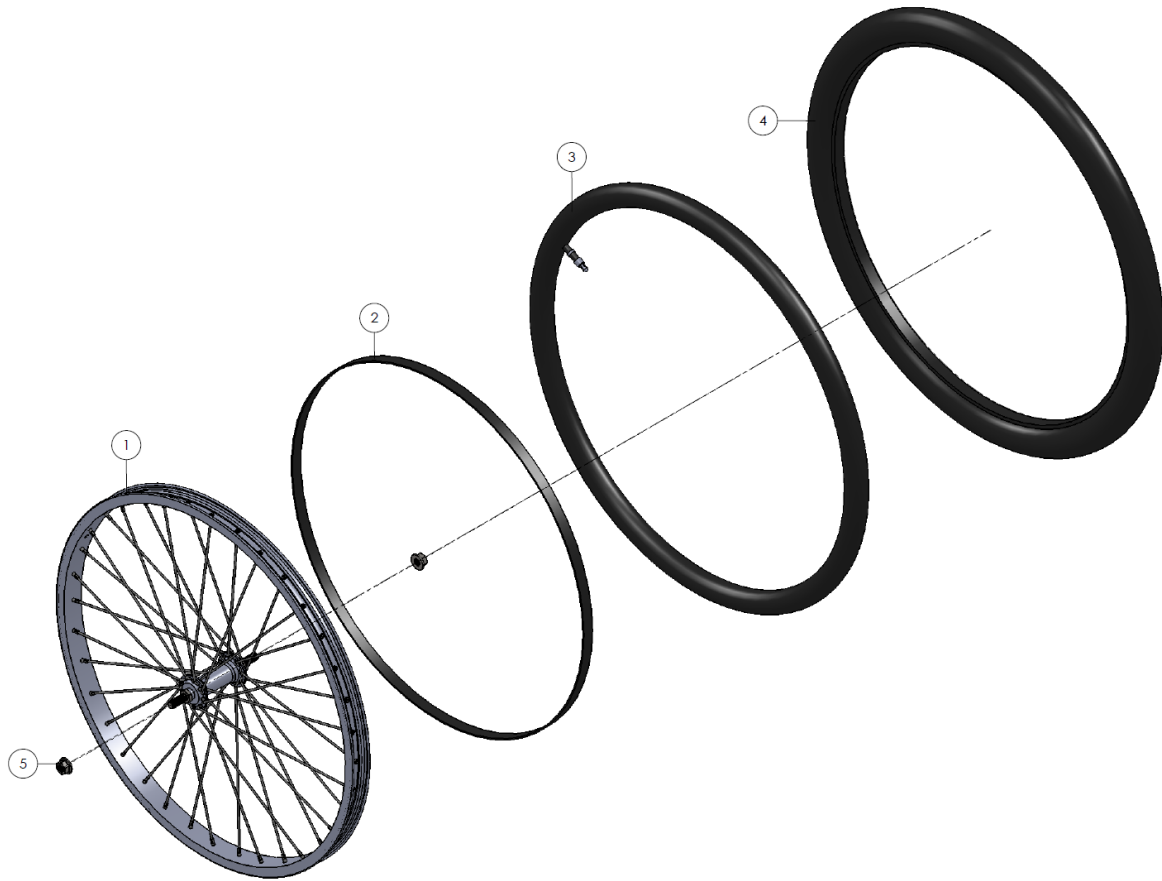
Group	Description	Page
1	Frame and chain assembly	Page 4
2	Front fork assembly	Page 5
3	Frontwheel assembly	Page 6
4	Handlebar assembly	Page 7
5	Luggage basket and mudguard assembly	Page 8
6	Rear Wheel and differential assembly	Page 9
7	Hub with fixed chain wheel	Page 10
7	Freewheel hub	Page 11
7	Coasterbrake hub	Page 12
7	7 speed freewheel hub	Page 13
7	7 speed coasterbrake hub	Page 14



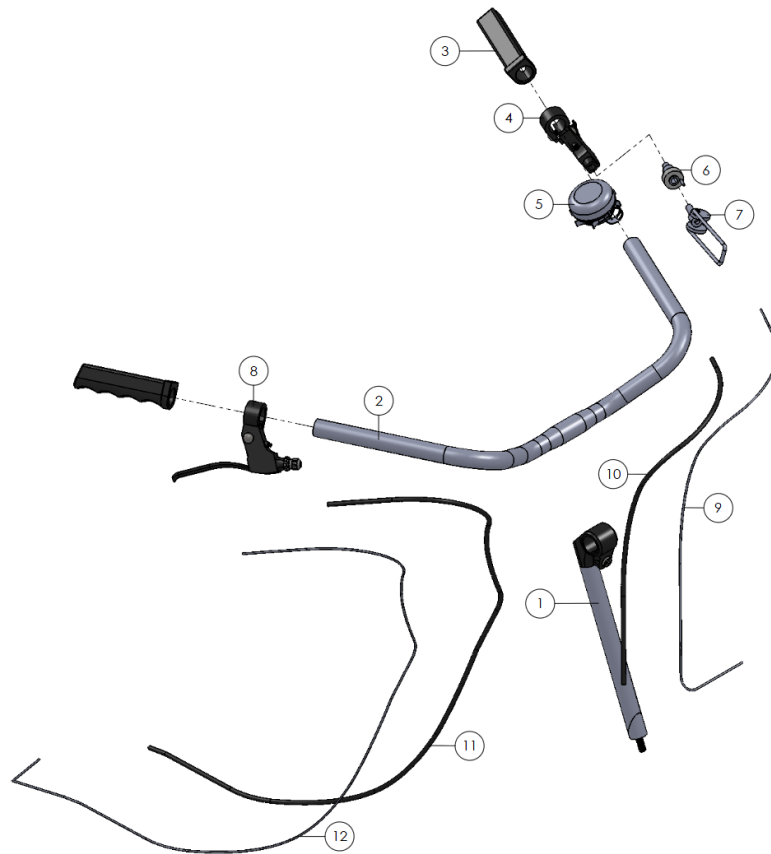
Pos	Pcs	Drawing number	Description	Atricle number	Size	note
1	1	A3-00159-3	Frame Diamond blue	SPUI. 280702		RAL 5022
1	1	A3-00159-3	Frame Diamond anthracite	SPUI. 280701		EP2020
1	1	A3-00159-3	Frame Diamond wish color	SPUI. 280709		Color adjudge
2	1		Flexicap 7.9 - 25	BEVM. 11116	7.9 – 25	
3	1		Bracket axle 127	AAND. 100921	127mm	
4	1		Crankset R 24T-150mm	AAND. 10018	24 T - 150mm	
5	1		Crank L 150mm	AAND. 100181	150 mm	
6	2		Crankbolt	AAND. 10002		
7	2		Crankbolt cover	AAND. 10000		
8	2		Pedal universal	AAND. 10070		
9	2		Chain adjuster 19 mm half round	AAND. 10050		
10	2		Tooth locked washer		M6	
11	2		Washer		M6	
12	2		Torque nut		M6	
13	1		Chain Diamond	AAND. 10039		
14	1		Chaincover Diamond	BESD. 12525		
15	6		Snapnail 8.0 x 1.8 x 8.0 x 4	BEVM. 11118	8.0 x 1.8 x 8.0 x 4	
16	2		Snapnail 8.0 x 1.8 x 10.0 x 4	BEVM. 11102	8.0 x 1.8 x 10.0 x 4	
17	2		Washer		M5	
18	2		bolt		3.5 x 13	
19	2		Flexicap with grip 15.9 - 25	BEVM. 11112	15.9 - 25	



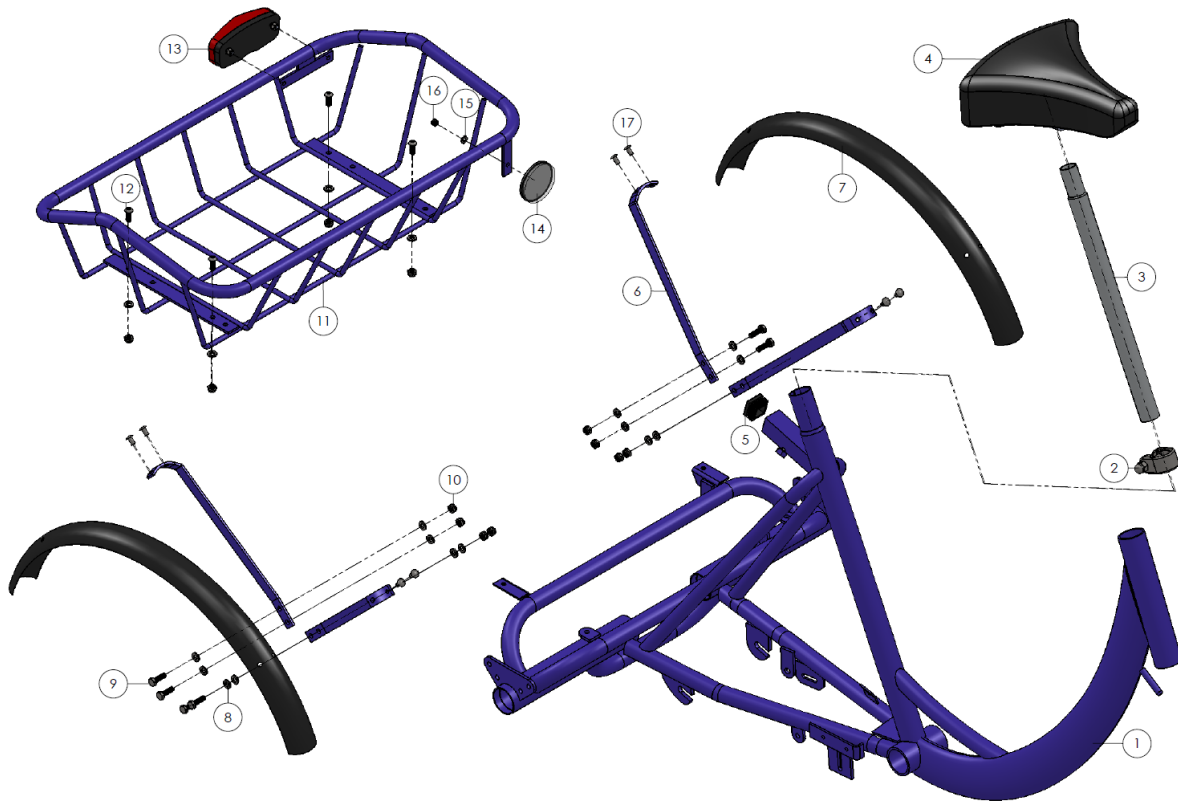
Pos	Pcs	Drawing number	Description	Atricle number	Size	note
1	1		Headset 301 1"	STUD. 05005	1"	
2	1		Fill ring headset	STUD. 05004	2 mm	
3	1		Front fork Diamond blue	SPUI. 280712		RAL 5022
3	1		Front fork Diamond anthracite	SPUI. 280711		EP2020
3	1		Front fork Diamond wish color	SPUI. 280719		Color adjudge
4	1		Lock click 3 cilinder side	ACCE. 130302		
5	1		Lock click 3 turning sise	ACCE. 130303		
6	1		Lock click 3 lock + button	ACCE. 130301		
7	1		Mudguard stay front Diamond blauw	SPUI. 280742		RAL 5022
7	1		Mudguard stay front Diamond antraciet	SPUI. 280741		EP2020
7	1		Mudguard stay front Diamond wenskleur	SPUI. 280749		Color adjudge
8	1		Mudguard front 24" black	BESD. 12251		
8	1		Mudguard front 24" wish color	SPUI. 280729		Color adjudge
9	2		Washer		M5	
10	2		Hexagon bolt		M5 x 8	
11	1		Mud flap SKS 50-60mm big	BESD. 12021	50 - 60	
12	1		Pressure nail for mud flap			
13	1		Washer		M6	
14	1		Hexabon bolt		M6 x 45	
15	1		Torque nut		M6	
16	1		V-brake	REMD. 06080		
17	1		Washer		M6	
18	4		Blind rivet		5 x 10	
19	1		Headlight battery Galeo	VERL. 01074		



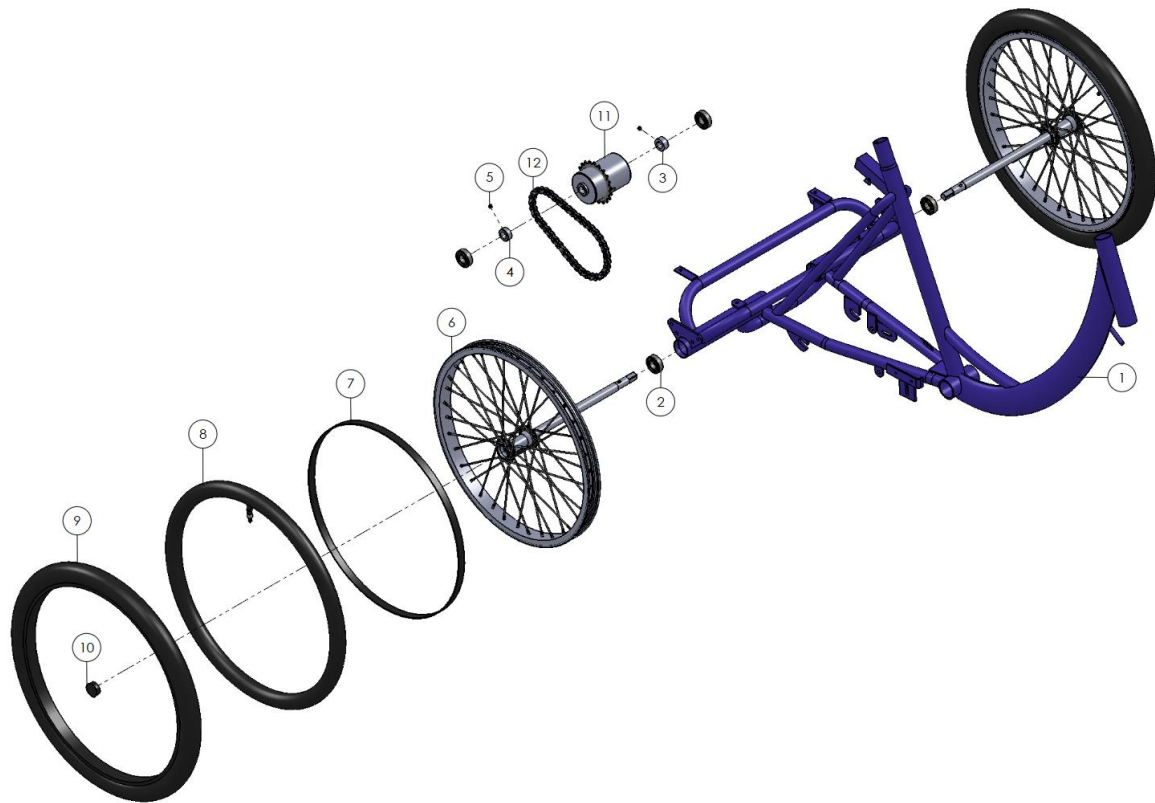
Pos	Pcs	Drawing number	Description	Atricle number	size	Note
1	1		Front wheel 24x1.75 (507)	WIEL. 038075	24x1.75	
2	1		Tim tape 22" - 26" (15mm)	BAND. 07303	22"-26" (15mm)	
3	1		Inner tube 24 x 1.1/4 – 1.3/4	BAND. 07093	24x 1.3/8 – 1.1/4	
4	1		Tyre 24 x 1.75 (47-507)	BAND. 07092	24" x 1.75 (47 - 507)	
5	2		Axle nut	AAND. 031586		



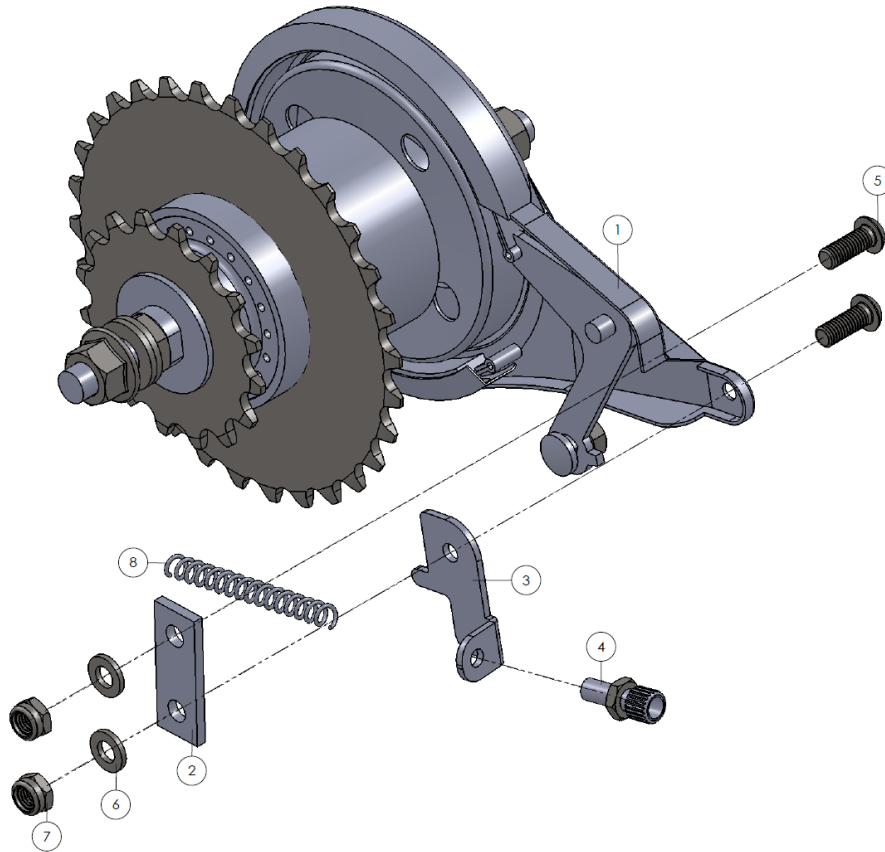
Pos	Pcs	Drawing number	Description	Atricle number	Size	Note
1	1		Stem Ø22.2 x 280 RK-ATB	STUD. 05171	Ø22.2 L=280	
2	1		Handlebar Diamond	STUD. 05115		
3	1		Handle Ø 22	STUD. 05020		2 pieces = 1 set
4	1		Brake grip left	REMD. 06010		
5	1		Bell	STUD. 05012		
6	1	A3-00106	Handle part complete parking brake	REMD. 060502		
7	1	A3-00407	Parkeerrem heveldeel	REMD. 060501		
8	1		Brake grip right	REMD. 06011		
9	1		Inner cable V-brake	KABE. 02022	L = 2mtr	
10	1		Outside cable front brake Diamond	KABE. 02075	L = 74cm	
11	1		Outside cable front brake Diamond	KABE. 02070	L = 157cm	
12	1		Outside cable rear brake	KABE. 02022	L = 2mtr	



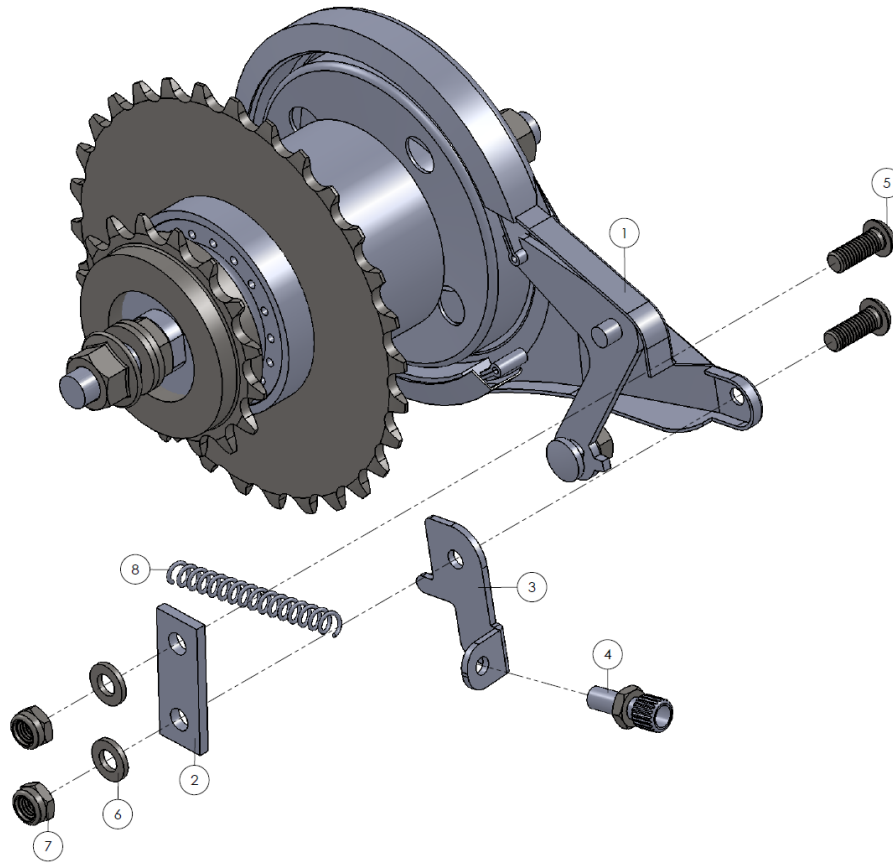
Pos	Pcs	Drawing number	Description	Atricle number	Size	note
1	1	A3-00159-3	Frame Diamond blue	SPUI. 280702		RAL 5022
1	1	A3-00159-3	Frame Diamond anthracite	SPUI. 280701		EP2020
1	1	A3-00159-3	Frame Diamond wish color	SPUI. 280709		Color adjudge
2	1		Seat post clamp Ø28.6	ZADE. 150401	Ø28.6	
3	1		Seat post 25.0 x 2.0 x 350	ZADE. 15010	25.0 x 2.0 x 350	
4	1		Saddle SR 8261	ZADE. 15050		
5	1		End plug 25x25	BESD. 12405	25 x 25	
6	4		Mudguard stay rear blue	SPUI. 280752		RAL 5022
6	4		Mudguard stay rear anthracite	SPUI. 280751		EP2020
6	4		Mudguard stay rear wish color	SPUI. 280759		Color adjudge
7	2		Mudguard rear 20" black	BESD. 12262		
7	2		Mudguard rear 20" wish color	SPUI. 280739		Color adjudge
8	20		Washer		M6	
9	8		Hexagon bolt		M6 x 18	
10	12		Torque nut		M6	
11	1		Luggage basket blue	SPUI. 280762		RAL 5022
11	1		Luggage basket anthracite	SPUI. 280761		EP2020
11	1		Luggage basket wish color	SPUI. 280769		Color adjudge
12	4		nut		M6 x 16	
13	1		Rear light Smart	VERL. 01007		
14	1		Reflector front Ø55mm white	VERL. 01015		
15	1		Washer		M5	
16	1		Torque nut		M5	
17	8		Blind rivet		5 x 10	



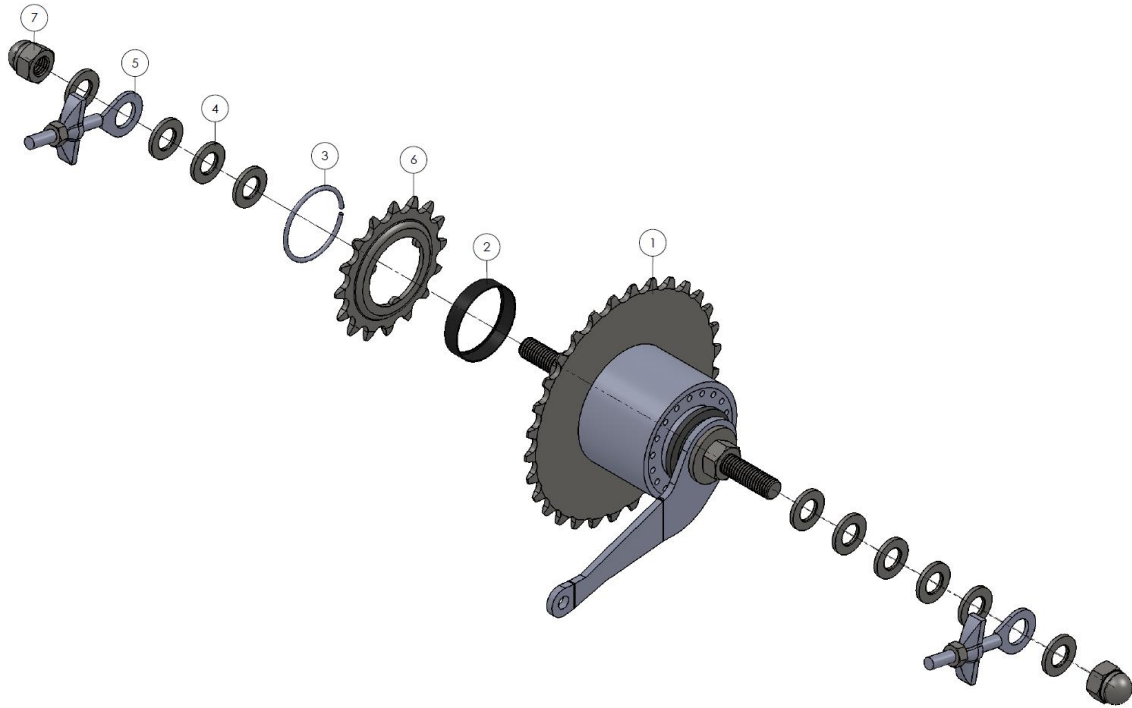
Pos	Pcs	Drawing number	Description	Atricle number	Size	note
1	1	A3-00159-3	Frame Diamond blue	SPUI. 280702		RAL 5022
1	1	A3-00159-3	Frame Diamond anthracite	SPUI. 280701		EP2020
1	1	A3-00159-3	Frame Diamond wish color	SPUI. 280709		Color adjudge
2	4		Bearing 6003	AAND. 10065		
3	1	A3-00021	Adjust ring D15x25 B12	AAND. 10205		
4	1	A3-10177	Adjust ring D15x25 B10	AAND. 10206		
5	2		Socket set screw cup point		M6 x 6	
6	2		Rear wheel + axle 20 x 1.75	WIEL. 03822	20 x 1.75	
7	2		Rim tape 16-20 (15mm)	BAND. 07300	16" - 20"	
8	2		Inner tube 20 x 1.25 - 1.75	BAND. 07082	20 x 1.25 - 1.75	
9	2		tyre 20 x 1.75 dynamic city	BAND. 07012	20 x 1.75	
10	2		End cover rear axle Bondo Clip	BESD. 12415		
11	1		Differential uni smal Diamond	DIFF. 09225		
12	1		Rear chain Diamond	AAND. 10039		



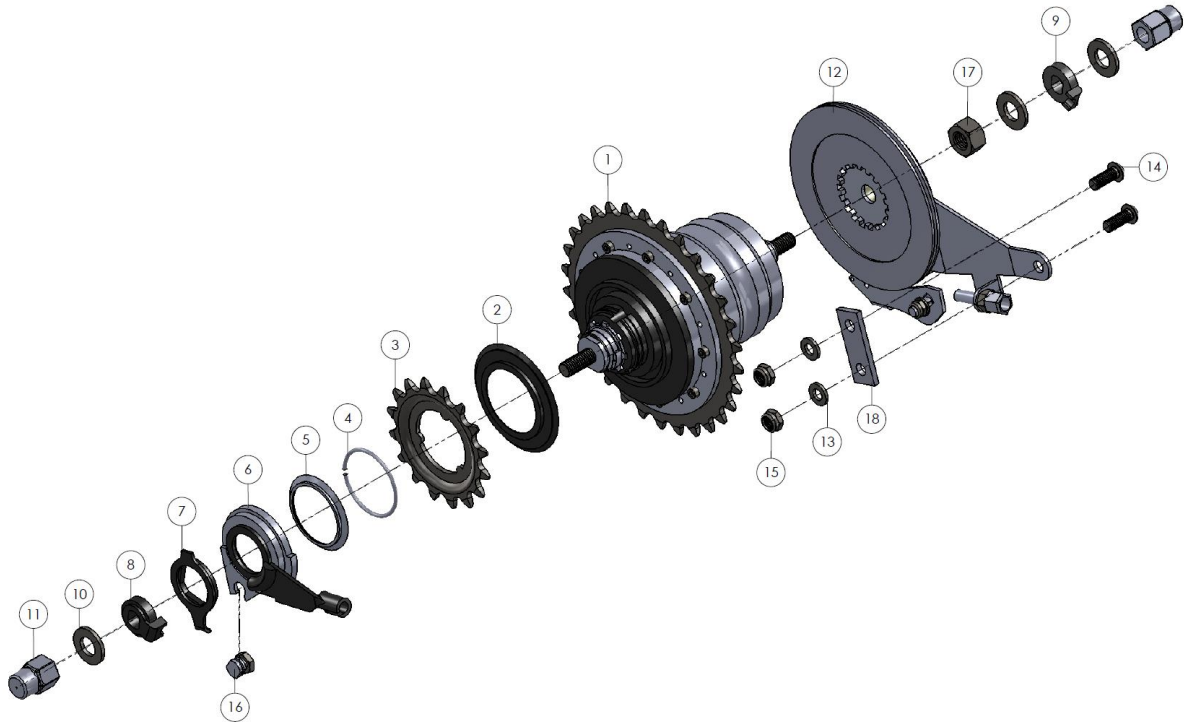
Pos	Pcs	Drawing number	Description	Atricle number	Size	note
1	1		Hub with fixed chain wheel Diamond	AAND. 10477		
2	1	A3-00245	Strip brake mount DI(P)	REMD. 060081	LG = 40	
3	1		Stud for band brake cable	REMD. 06004		
4	1		Cable set bolt band brake	REMD. 060005		
5	2		Socket button head screw		M6 x 16	
6	2		Washer		M6	
7	2		Torque nut		M6	
8	1		Spring band brake Ø88	REMD. 060004	L = 60	



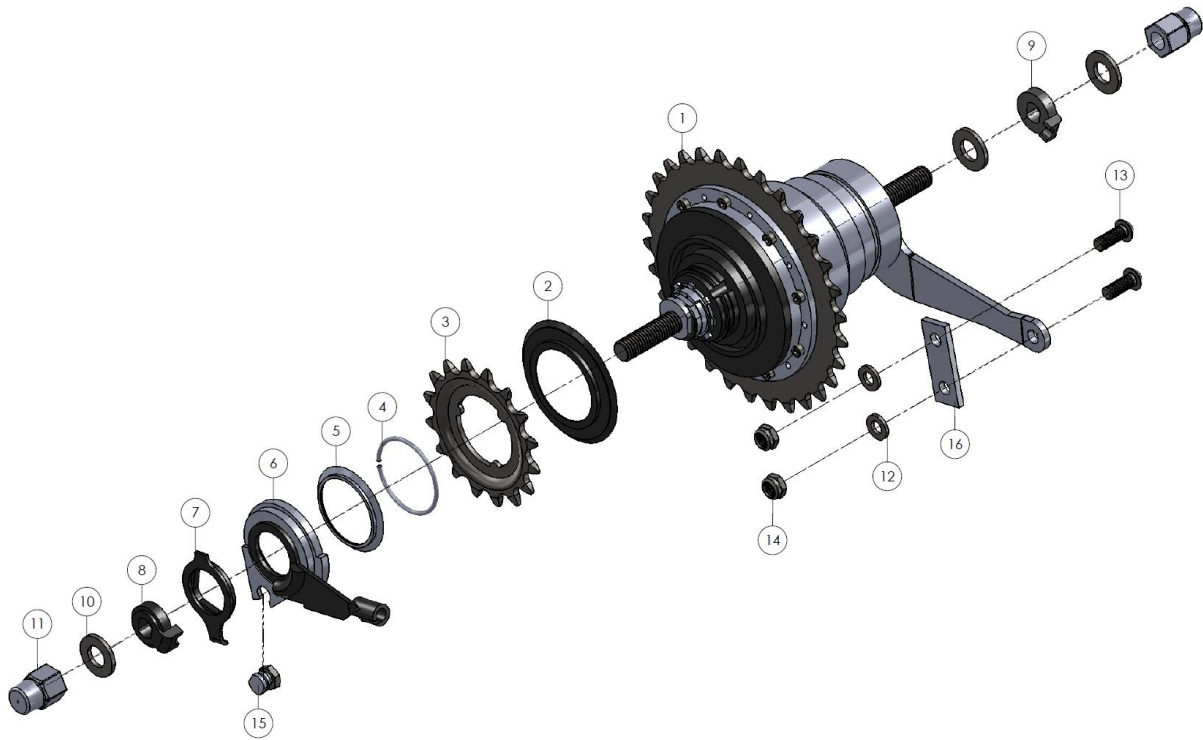
Pos	Pcs	Drawing numer	Description	Atricle number	Size	note
1	1		Freewheel hub Diamond	AAND. 10475		
2	1	A3-00245	Strip brake mount DI(P)	REMD. 060081	LG = 40	
3	1		Stud for band brake cable	REMD. 06004		
4	1		Cable set bolt band brake	REMD. 060005		
5	2		Socket button head screw		M6 x 16	
6	2		Washer		M6	
7	2		Torque nut		M6	
8	1		Spring band brake Ø88	REMD. 060004	L = 60	



Pos	Pcs	Drawing number	Description	Article number	Size	Note
1	1		Coaster brake hub DI	AAND. 10476		
2	1		Dust cover coasterbrake hub Shimano	WIEL. 033501		
3	1		Sprocket circlip	WIEL. 033503		
4	10		Washer		M10	
5	2		Chain adjuster standard bicycle	AAND. 100515		
6	1		Chainr wheel 16T Shimano	AAND. 10171		
7	2		Axle nut coaster brake hub	WIEL. 033506		



Pos	pcs	Description	Article number	size	note
1	1	Hub 7V-RB	AAND. 10490		
2	1	Dust cover great	WIEL. 03478		
3	1	Chain wheel 30T	AAND. 10150	30T	
4	1	Sprocket circlip	WIEL. 033503		
5	1	Dust cover smal	AAND. 10321		
6	1	Cassette joint 7speed	AAND. 10332		
7	1	Cassette joint fixing ring	AAND. 104337		
8	1	Locking disc 7L grey	AAND. 10314		
9	1	Locking disc 7R black	AAND. 10318		
10	3	Vlakke sluitring		M10	
11	2	Axle nut	AAND. 10310		
12	1	Rollerbrake	WIEL. 03426		
13	2	Washer		M6	
14	2	Socket button head screw		M6 x 16	
15	2	Prevailing Torque nut		M6	
16	1	shift cable clamp			
17	1	Rollerbrake nut	WIEL. 034268		
18	1	Brake arm stud	REMD. 060081		



Pos	pcs	Description	Article number	size	note
1	1	Hub 7V coasterbrake	AAND. 10491		
2	1	Dust cover great	WIEL. 03478		
3	1	Chain wheel 30T	AAND. 10150	30T	
4	1	Sprocket circlip	WIEL. 033503		
5	1	Dust cover smal	AAND. 10321		
6	1	Cassette joint 7speed	AAND. 10332		
7	1	Cassette joint fixing ring	AAND. 104337		
8	1	Locking disc 7L grey	AAND. 10314		
9	1	Locking disc 7R black	AAND. 10318		
10	3	Vlakke sluitring		M10	
11	2	Axle nut	AAND. 10310		
12	2	Washer		M6	
13	2	Socket button head screw		M6 x 16	
14	2	Prevailing Torque nut		M6	
15	1	shift cable clamp			
16	1	Brake arm stud	REMD. 060081		



Telgenweg 12

8111 CM HEETEN

Tel. 0572-382222

Fax 0572-382480

E-mail: info@nijland.com

www.nijland.com