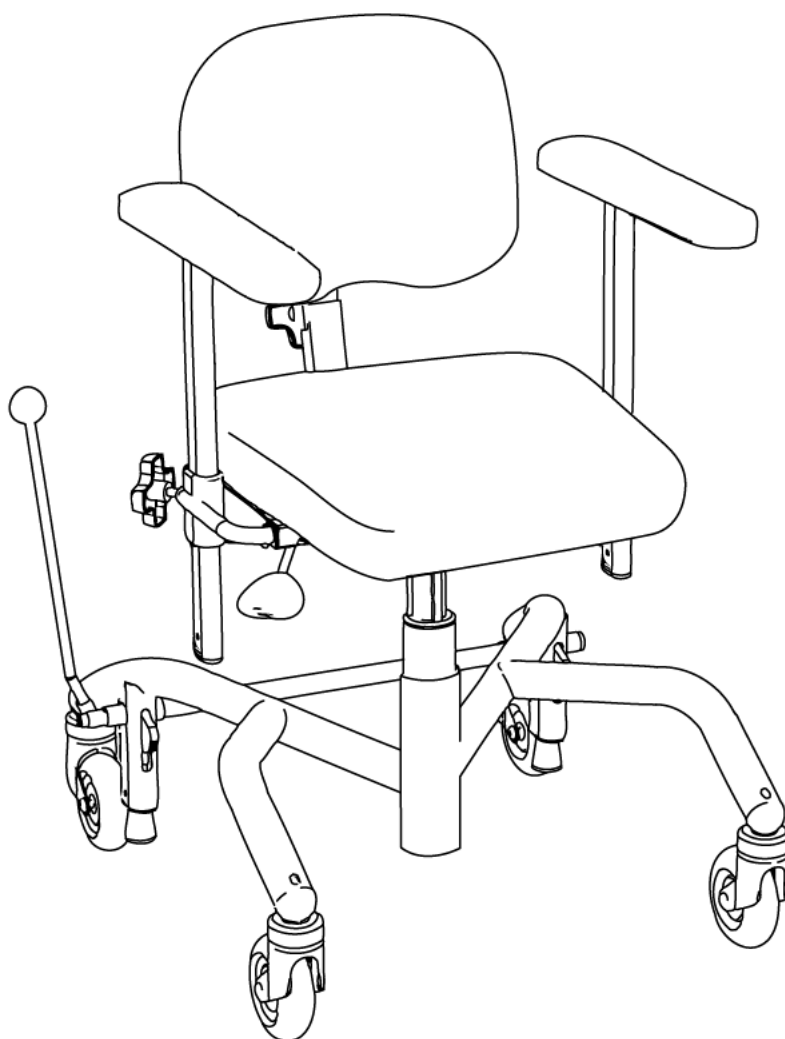




**REAL® 9000 PLUS - SPRÄNGSKISS**  
REAL® 9000 PLUS - EXPLODED DIAGRAM

Artikelnr/Article no 803031  
Ändrad/Changed 111117  
Giltig från/Valid from 070601

**P** VERSION 004



Mercado Medic AB  
Tryffelslingan 14  
181 57 Lidingö

Telefon & Fax  
Tel 08 555 143 00  
Fax 08 555 143 99

Email & Internet  
Email [info@mercado.se](mailto:info@mercado.se)  
Internet [www.mercado.se](http://www.mercado.se)

# Innehållsförteckning

## Table of content

<b>Detalj</b> <i>Detail</i>	<b>Sida</b> <i>Page</i>
<b>KLÄDSLAR &amp; FÄRGKODER/UPHOLSTERY &amp; COLOUR CODES</b>	<b>3</b>
<b>SITTPLATTA/SEAT</b>	<b>4</b>
<b>SITTKRYSS/SEAT FRAME</b>	<b>10</b>
<b>REGLAGE/CONTROLS</b>	<b>13</b>
<b>LYFTOMATER/LIFTOMATS</b>	<b>15</b>
<b>RYGGPLATTA/BACKREST</b>	<b>17</b>
<b>RYGGMEKANISM/BACKREST MECHANISM</b>	<b>24</b>
<b>ARMSTÖD/ARMRESTS</b>	<b>29</b>
<b>ARMSTÖDSMEKANISMER/ARMREST MECHANISMS</b>	<b>30</b>
<b>STATIV &amp; BROMSAR/BASE &amp; BRAKES</b>	<b>31</b>
<b>HJUL/CASTORS</b>	<b>33</b>
<b>MANÖVERBOX/REMOTE</b>	<b>35</b>
<b>LADDBOX/CHARGERBOX</b>	<b>37</b>

### **FÖRKLARING AV SYMBOLER**

#### *EXPLANATION OF THE SYMBOLS*



Artikel för REAL 9000 PLUS VUXEN  
*Article for REAL 9000 PLUS ADULT*



Artikel för REAL 9000 PLUS BARN  
*Article for REAL 9000 PLUS CHILD*



Artikel för REAL 9000 PLUS MINI  
*Article for REAL 9000 PLUS MINI*



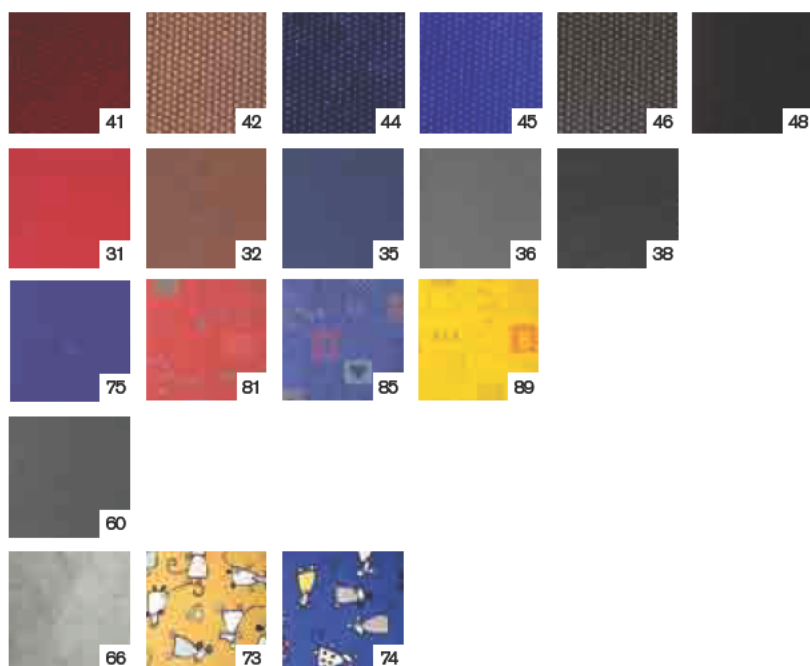
Artikel för alla REAL 9000 PLUS  
*Article for all REAL 9000 PLUS*



Stativförlängare måste användas  
*Base extension must be applied*

# Klädslar & färgkoder

## Clothing & colour codes



### SIFFERKOD KLÄDSLAR (SIFFRA 7 & 8) DIGITCODE UPHOLSTERY (DIGIT 7 & 8)

#### Plysch/Plush

41 Vinröd/Burgundy 42 Brun/Brown 44 Marin/Marine  
45 Realblå/Royal blue 46 Grå/Grey 48 Svart/Black

#### Konstläder/Skai

31 Röd/Red 32 Brun/Brown 35 Blå/Blue  
36 Grå/Grey 38 Svart/Black

#### Väv mönstrad Vuxen/Patterned fabric, Adult

75 Blå  
75 Blue

#### Väv mönstrad Barn/Patterned fabric, Child

81 Röd/Red 85 Blå/Blue 89 Gul/Yellow

#### Alternativ klädsel/Alternative covering

60 Hygienväv/Hygiene fabric  
95 Utan klädsel/Without clothing

#### Överdragsklädsel/Covering

66 Inkontinensöverdrag grå plastad frotté/  
Incontinence cover, grey plastic-coated terry  
73 Barn, Gul bomull/Child, Yellow cotton  
74 Barn, Blå bomull/Child, Blue cotton

**FÖRKLARING TILL STOPPDETALJERS ARTIKELNUMMER Art.nr: ST101546. = "Sits ErgoMedic, plysch grå 44x48 cm"**

**EXPLANATION OF THE ARTICLE NUMBERS STRUCTURE Article No: ST101546. = "ErgoMedic seat, plush grey 44x48 cm"**

Siffror 1-2 = Typ av stoppningsartikel (ST=sits, BR=ryggplatta etc.)

Digit 1-2 = Typ av upholstret artikel (1=seat, 2=back panel etc.)

Siffror 3-4 = Sittsystem (ErgoMedic, ErgoMedic PLUS etc.)

Digits 3-4 = Seat system (ErgoMedic, ErgoMedic PLUS etc.)

Siffror 5-6 = Storlek

Digit 5-6 = Size

Siffror 7 = Material (plysch, konstläder etc)

Digit 7 = Material (plush, skai etc.)

Siffror 8 = Färg

Digit 8 = Colour

### PREFIX FÖR UPPBYGGNADEN AV ARTIKELNUMMER

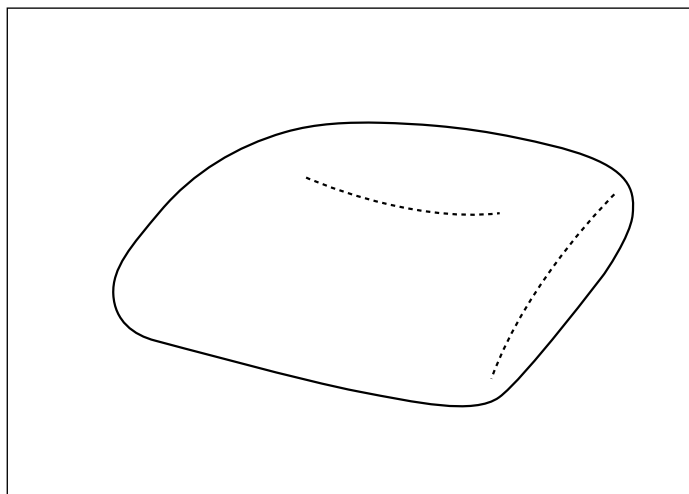
### PREFIX FOR THE STRUCTURE OF THE ARTICLE NUMBER

AD	ADapter	Adapter	LD	Leg Divider	Grenkil
AR	ArmRest	Armstöd	LDC	Leg Divider Cover	Grenkil överdrag
ARM	ArmRest Mechanism	Armstödsmechanism	LS	Leg Support	Benstöd
AS	Amputation Support	Amputationsstöd	NS	Neck Support	Nackstöd
ASC	Amputation Support Cover	Amputationsstöds överdrag	NSC	Neck Support Cover	Nackstöd överdrag
BD	Brake Device	Handbroms	PB	Push Bar	Körbygel
BE	BasE	Stativ	RC	Rheumatic Cross	Reumatikerkryss
BEA	BrEak Accessory	Bromstillbehör	SA	Seat Angle Mechanism	Sitsvinkel
BEX	Base EXtender	Stativförlängare	SAR	Seat Angle Regulation	Sitsvinklings reglage
BR	Back Rest	Rygg	SAP	Seat Angle Placement	Sitsvinklings placering
BRC	Back Rest Cover	Rygg överdrag	SH	Seat Height	Sitthöjd
BRM	Back Rest Mechanism	Ryggmekanism	SS	Side Support	Sidostöd
CS	Calf Support	Vadstöd	SSC	Side Support Cover	Sidostöds överdrag
CSC	Calf Support Cover	Vadstöds överdrag	ST	SeaT	Sits
FR	Foot Ring	Fotring	STC	SeaT Cover	Sits överdrag
HB	Hip Belt	Höftbälte	TA	Table	Bord
KS	Knee Support	Knästopp	TS	Trunk Support	Bålstöd
KSC	Knee Support Cover	Knästopps överdrag	TSC	Trunk Support Cover	Bålstöds överdrag
LB	Large Ball	Stor kula	WE	WhEel	Hjul

# Stycklista - Sittplatta

## Part list - Seat

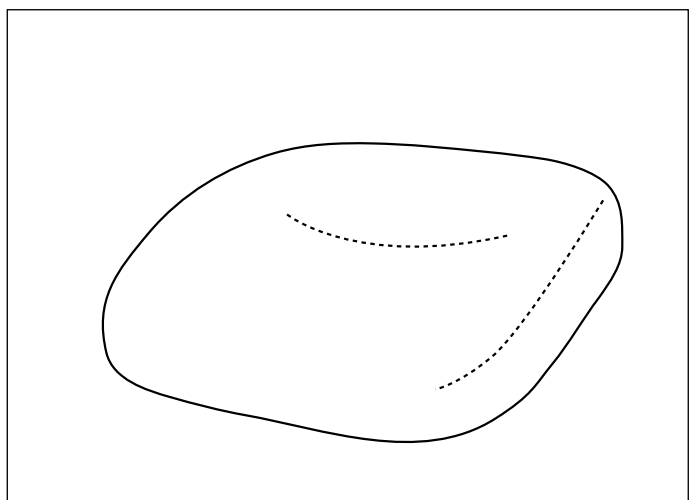
A01 Sits ErgoMedic  
Seat ErgoMedic



Pos	Art.nr	Benämning
Pos	Art.no	Name

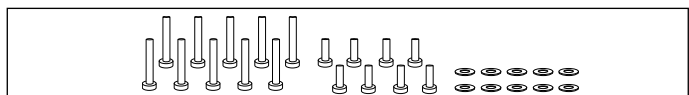
A01	1	<b>ST101546</b> 150460	Sits ErgoMedic 44x48 Plysch Grå Seat ErgoMedic 44x48 Plush Grey
	2	<b>ST101046</b> 150461	Sits ErgoMedic 48x48 Plysch Grå Seat ErgoMedic 48x48 Plush Grey
	3	<b>ST102046</b> 150462	Sits ErgoMedic 44x43 Plysch Grå Seat ErgoMedic 44x43 Plush Grey
	4	<b>ST102546</b> 150469	Sits ErgoMedic 40x48 Plysch Grå Seat ErgoMedic 40x48 Plush Grey
	5	<b>ST103046</b> 150463	Sits ErgoMedic 40x43 Plysch Grå Seat ErgoMedic 40x43 Plush Grey
	6	<b>ST103546</b> 150464	Sits ErgoMedic 40x39 Plysch Grå Seat ErgoMedic 40x39 Plush Grey
	7	<b>ST104046</b> 150467	Sits ErgoMedic 36x43 Plysch Grå Seat ErgoMedic 36x43 Plush Grey
	8	<b>ST104546</b> 150465	Sits ErgoMedic 36x39 Plysch Grå Seat ErgoMedic 36x39 Plush Grey
	9	<b>ST105046</b> 150466	Sits ErgoMedic 33x35 Plysch Grå Seat ErgoMedic 33x35 Plush Grey
	10	<b>ST105546</b> 150468	Sits ErgoMedic 29x32 Plysch Grå Seat ErgoMedic 29x32 Plush Grey

B01 Sits ErgoMedic Slow Recovery  
Seat ErgoMedic Slow Recovery



B01	1	<b>ST111546</b> 155460	Sits ErgoMedic Slow Recovery 44x48 Plysch Grå Seat ErgoMedic Slow Recovery 44x48 Plush Grey
	2	<b>ST111046</b> 155461	Sits ErgoMedic Slow Recovery 48x48 Plysch Grå Seat ErgoMedic Slow Recovery 48x48 Plush Grey
	3	<b>ST112046</b> 155462	Sits ErgoMedic Slow Recovery 44x43 Plysch Grå Seat ErgoMedic Slow Recovery 44x43 Plush Grey
	4	<b>ST112546</b> 155469	Sits ErgoMedic Slow Recovery 40x48 Plysch Grå Seat ErgoMedic Slow Recovery 40x48 Plush Grey
	5	<b>ST113046</b> 155463	Sits ErgoMedic Slow Recovery 40x43 Plysch Grå Seat ErgoMedic Slow Recovery 40x43 Plush Grey
	6	<b>ST113546</b> 155464	Sits ErgoMedic Slow Recovery 40x39 Plysch Grå Seat ErgoMedic Slow Recovery 40x39 Plush Grey
	7	<b>ST114046</b> 155467	Sits ErgoMedic Slow Recovery 36x43 Plysch Grå Seat ErgoMedic Slow Recovery 36x43 Plush Grey
	8	<b>ST114546</b> 155465	Sits ErgoMedic Slow Recovery 36x39 Plysch Grå Seat ErgoMedic Slow Recovery 36x39 Plush Grey
	9	<b>ST115046</b> 155466	Sits ErgoMedic Slow Recovery 33x35 Plysch Grå Seat ErgoMedic Slow Recovery 33x35 Plush Grey

C01

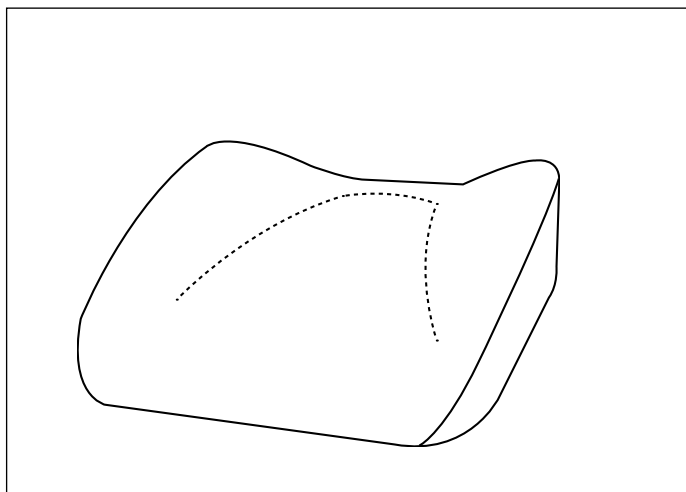


C01 **803269** Skruvsats f monterng av sittplatta  
Screw kit for seat assembly

# Stycklista - Sittplatta

## Part list - Seat

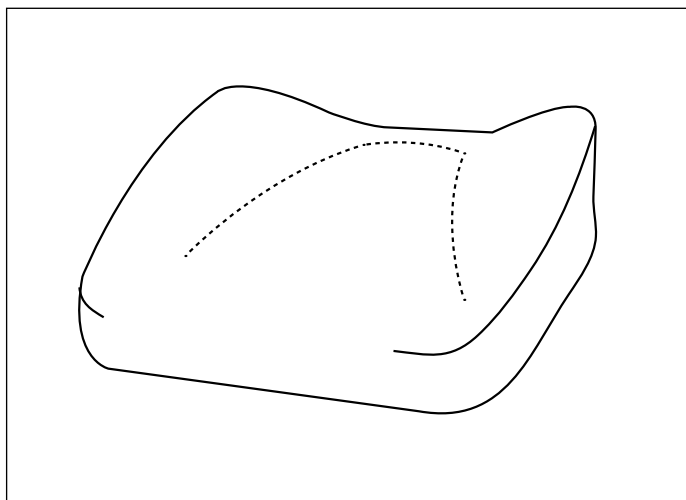
D01 Sits ErgoMedic PLUS  
Seat ErgoMedic PLUS



Pos	Art.nr	Benämning
Pos	Art.no	Name

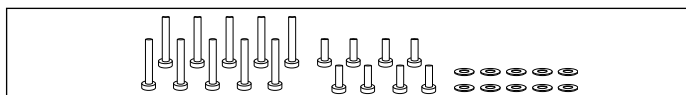
D01	1	<b>ST201546</b> 151460	Sits ErgoMedic PLUS 44x48 Plysch Grå Seat ErgoMedic PLUS 44x48 Plush Grey
	2	<b>ST201046</b> 151461	Sits ErgoMedic PLUS 48x48 Plysch Grå Seat ErgoMedic PLUS 48x48 Plush Grey
	3	<b>ST202046</b> 151462	Sits ErgoMedic PLUS 44x43 Plysch Grå Seat ErgoMedic PLUS 44x43 Plush Grey
	4	<b>ST202546</b> 151469	Sits ErgoMedic PLUS 40x48 Plysch Grå Seat ErgoMedic PLUS 40x48 Plush Grey
	5	<b>ST203046</b> 151463	Sits ErgoMedic PLUS 40x43 Plysch Grå Seat ErgoMedic PLUS 40x43 Plush Grey
	6	<b>ST203546</b> 151464	Sits ErgoMedic PLUS 40x39 Plysch Grå Seat ErgoMedic PLUS 40x39 Plush Grey
	7	<b>ST204046</b> 151467	Sits ErgoMedic PLUS 36x43 Plysch Grå Seat ErgoMedic PLUS 36x43 Plush Grey
	8	<b>ST204546</b> 151465	Sits ErgoMedic PLUS 36x39 Plysch Grå Seat ErgoMedic PLUS 36x39 Plush Grey
	9	<b>ST205046</b> 151466	Sits ErgoMedic PLUS 33x35 Plysch Grå Seat ErgoMedic PLUS 33x35 Plush Grey
	10	<b>ST205546</b> 151468	Sits ErgoMedic PLUS 29x32 Plysch Grå Seat ErgoMedic PLUS 29x32 Plush Grey

E01 Sits ErgoMedic PLUS Slow Recovery  
Seat ErgoMedic Slow Recovery



E01	1	<b>ST211546</b> 156460	Sits EM PLUS Slow Recovery 44x48 Plysch Grå Seat EM PLUS Slow Recovery 44x48 Plush Grey
	2	<b>ST211046</b> 156461	Sits EM PLUS Slow Recovery 48x48 Plysch Grå Seat EM PLUS Slow Recovery 48x48 Plush Grey
	3	<b>ST212046</b> 156462	Sits EM PLUS Slow Recovery 44x43 Plysch Grå Seat EM PLUS Slow Recovery 44x43 Plush Grey
	4	<b>ST212546</b> 156469	Sits EM PLUS Slow Recovery 40x48 Plysch Grå Seat EM Slow PLUS Recovery 40x48 Plush Grey
	5	<b>ST213046</b> 156463	Sits EM PLUS Slow Recovery 40x43 Plysch Grå Seat EM PLUS Slow Recovery 40x43 Plush Grey
	6	<b>ST213546</b> 156464	Sits EM PLUS Slow Recovery 40x39 Plysch Grå Seat EM PLUS Slow Recovery 40x39 Plush Grey
	7	<b>ST214046</b> 156467	Sits EM PLUS Slow Recovery 36x43 Plysch Grå Seat EM PLUS Slow Recovery 36x43 Plush Grey
	8	<b>ST214546</b> 156465	Sits EM PLUS Slow Recovery 36x39 Plysch Grå Seat EM PLUS Slow Recovery 36x39 Plush Grey
	9	<b>ST215046</b> 156466	Sits EM PLUS Slow Recovery 33x35 Plysch Grå Seat EM PLUS Slow Recovery 33x35 Plush Grey

F01

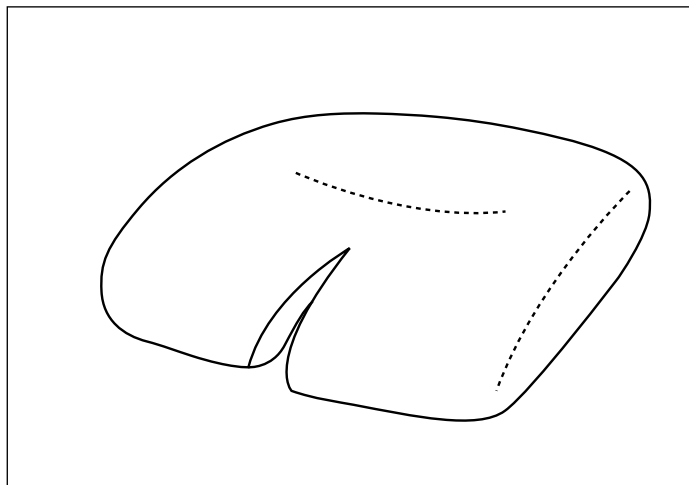


F01 **803269** Skruvsats f montering av sittplatta  
Screw kit for seat assembly

# Stycklista - Sittplatta Coxit

## Part list - Seat Coxit

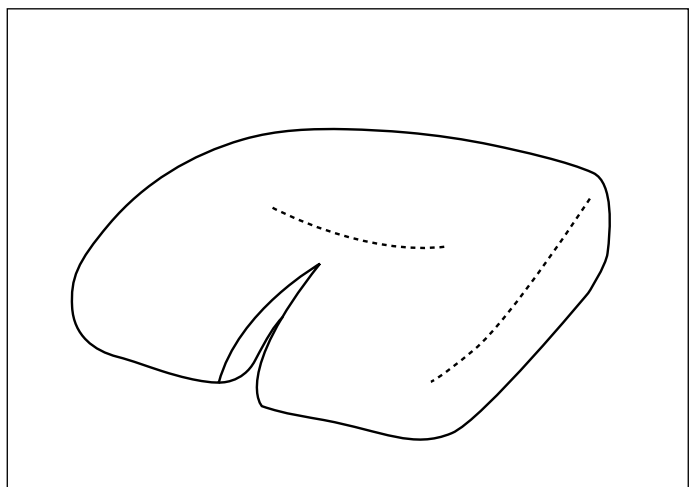
A01 Sits Coxit ErgoMedic  
Seat Coxit ErgoMedic



Pos Art.nr Benämning  
Pos Art.no Name

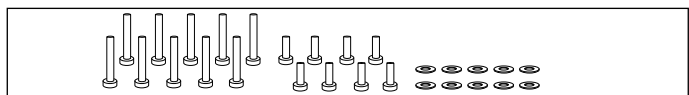
A01	1	<a href="#">ST131546</a> 160460	Sits Coxit Int ErgoMedic 44x48 Plysch Grå Seat Coxit Int ErgoMedic 44x48 Plush Grey
	2	<a href="#">ST131046</a> 160461	Sits Coxit Int ErgoMedic 48x48 Plysch Grå Seat Coxit Int ErgoMedic 48x48 Plush Grey
	3	<a href="#">ST132046</a> 160462	Sits Coxit Int ErgoMedic 44x43 Plysch Grå Seat Coxit Int ErgoMedic 44x43 Plush Grey
	4	<a href="#">ST132546</a> 160469	Sits Coxit Int ErgoMedic 40x48 Plysch Grå Seat Coxit Int ErgoMedic 40x48 Plush Grey
	5	<a href="#">ST133046</a> 160463	Sits Coxit Int ErgoMedic 40x43 Plysch Grå Seat Coxit Int ErgoMedic 40x43 Plush Grey
	6	<a href="#">ST133546</a> 160464	Sits Coxit Int ErgoMedic 40x39 Plysch Grå Seat Coxit Int ErgoMedic 40x39 Plush Grey

B01 Sits Coxit ErgoMedic Slow Recovery  
Seat Coxit ErgoMedic Slow Recovery



B01	1	<a href="#">ST141546</a> 165460	Sits Coxit Int ErgoMedic Slow 44x48 Plysch Grå Seat Coxit Int ErgoMedic Slow 44x48 Plush Grey
	2	<a href="#">ST141046</a> 165461	Sits Coxit Int ErgoMedic Slow 48x48 Plysch Grå Seat Coxit Int ErgoMedic Slow 48x48 Plush Grey
	3	<a href="#">ST142046</a> 165462	Sits Coxit Int ErgoMedic Slow 44x43 Plysch Grå Seat Coxit Int ErgoMedic Slow 44x43 Plush Grey
	4	<a href="#">ST142546</a> 165469	Sits Coxit Int ErgoMedic Slow 40x48 Plysch Grå Seat Coxit Int ErgoMedic Slow 40x48 Plush Grey
	5	<a href="#">ST143046</a> 165463	Sits Coxit Int ErgoMedic Slow 40x43 Plysch Grå Seat Coxit Int ErgoMedic Slow 40x43 Plush Grey
	6	<a href="#">ST143546</a> 165464	Sits Coxit Int ErgoMedic Slow 40x39 Plysch Grå Seat Coxit Int ErgoMedic Slow 40x39 Plush Grey

C01

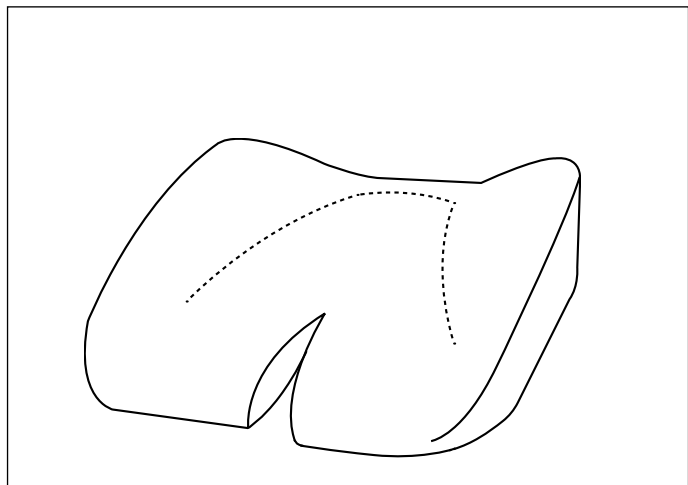


C01 [803269](#) Skruvsats f montering av sittplatta  
Screw kit for seat assembly

# Stycklista - Sittplatta Coxit

## Part list - Seat Coxit

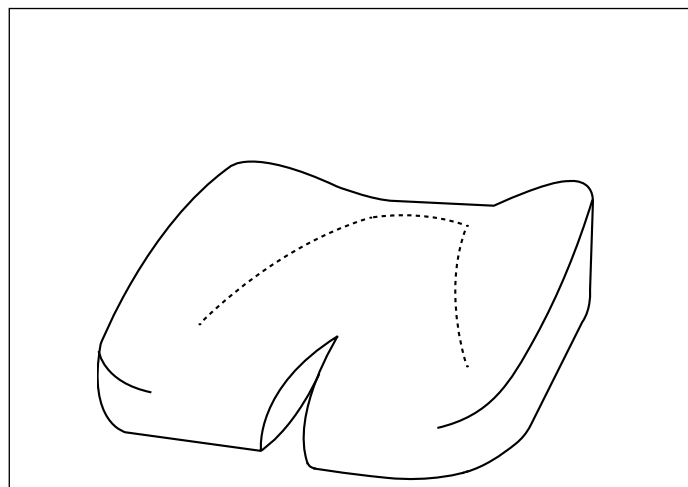
D01 Sits Coxit ErgoMedic PLUS  
Seat Coxit ErgoMedic PLUS



**Pos** **Art.nr** **Benämning**  
*Pos Art.no Name*

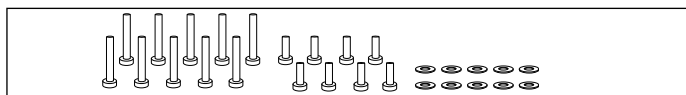
D01	1	<a href="#">ST231546</a> 161460	Sits Coxit Int EM PLUS 44x48 Plysch Grå Seat Coxit Int EM PLUS 44x48 Plush Grey
	2	<a href="#">ST231046</a> 161461	Sits Coxit Int EM PLUS 48x48 Plysch Grå Seat Coxit Int EM PLUS 48x48 Plush Grey
	3	<a href="#">ST232046</a> 161462	Sits Coxit Int EM PLUS 44x43 Plysch Grå Seat Coxit Int EM PLUS 44x43 Plush Grey
	4	<a href="#">ST232546</a> 161469	Sits Coxit Int EM PLUS 40x48 Plysch Grå Seat Coxit Int EM PLUS 40x48 Plush Grey
	5	<a href="#">ST233046</a> 161463	Sits Coxit Int EM PLUS 40x43 Plysch Grå Seat Coxit Int EM PLUS 40x43 Plush Grey
	6	<a href="#">ST233546</a> 161464	Sits Coxit Int EM PLUS 40x39 Plysch Grå Seat Coxit Int EM PLUS 40x39 Plush Grey

E01 Sits Coxit ErgoMedic PLUS Slow Recovery  
Seat Coxit ErgoMedic PLUS Slow Recovery



E01	1	<a href="#">ST241546</a> 166460	Sits Coxit Int EM PLUS Slow 44x48 Plysch Grå Seat Coxit Int EM PLUS Slow 44x48 Plush Grey
	2	<a href="#">ST241046</a> 166461	Sits Coxit Int EM PLUS Slow 48x48 Plysch Grå Seat Coxit Int EM PLUS Slow 48x48 Plush Grey
	3	<a href="#">ST242046</a> 166462	Sits Coxit Int EM PLUS Slow 44x43 Plysch Grå Seat Coxit Int EM PLUS Slow 44x43 Plush Grey
	4	<a href="#">ST242546</a> 166469	Sits Coxit Int EM PLUS Slow 40x48 Plysch Grå Seat Coxit Int EM Slow PLUS 40x48 Plush Grey
	5	<a href="#">ST243046</a> 166463	Sits Coxit Int EM PLUS Slow 40x43 Plysch Grå Seat Coxit Int EM PLUS Slow 40x43 Plush Grey
	6	<a href="#">ST243546</a> 166464	Sits Coxit Int EM PLUS Slow 40x39 Plysch Grå Seat Coxit Int EM PLUS Slow 40x39 Plush Grey

F01

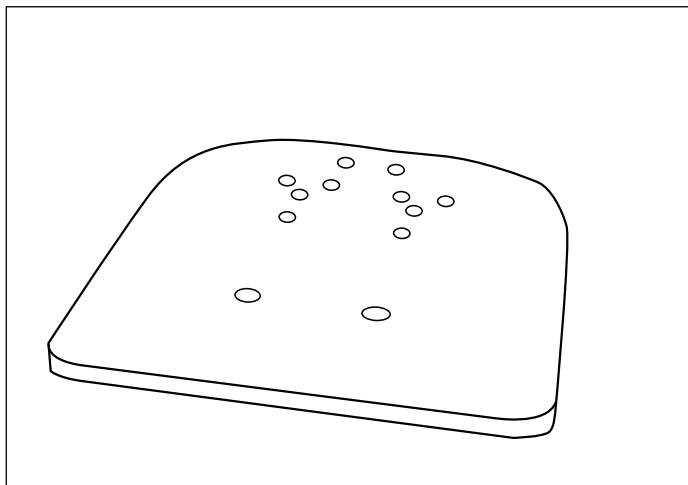


F01 [803269](#) Skruvsats f montering av sittplatta  
Screw kit for seat assembly

# Stycklista - Sittplatta

## Part list - Seat

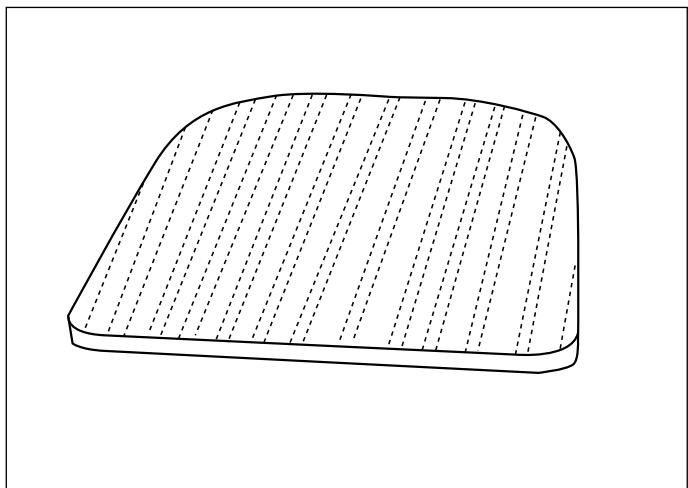
A01 Sittplatta endast träplatta  
Seat woodenplate whitout fabric



Pos Art.nr Benämning  
Pos Art.no Name

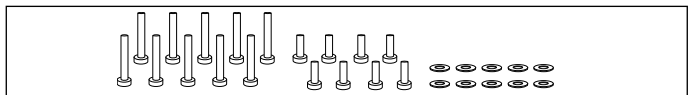
A01	1	ST101590 150900	Sits ErgoMedic 44x48 Träplatta u Stoppning Seat ErgoMedic 44x48 Woodenplate Without fabric
	2	ST101090 150901	Sits ErgoMedic 48x48 Träplatta u Stoppning Seat ErgoMedic 48x48 Woodenplate Without fabric
	3	ST102090 150902	Sits ErgoMedic 44x43 Träplatta u Stoppning Seat ErgoMedic 44x43 Woodenplate Without fabric
	4	ST102590 150909	Sits ErgoMedic 40x48 Träplatta u Stoppning Seat ErgoMedic 40x48 Woodenplate Without fabric
	5	ST103090 150903	Sits ErgoMedic 40x43 Träplatta u Stoppning Seat ErgoMedic 40x43 Woodenplate Without fabric
	6	ST103590 150904	Sits ErgoMedic 40x39 Träplatta u Stoppning Seat ErgoMedic 40x39 Woodenplate Without fabric
	7	ST104090 150907	Sits ErgoMedic 36x43 Träplatta u Stoppning Seat ErgoMedic 36x43 Woodenplate Without fabric
	8	ST104590 150905	Sits ErgoMedic 36x39 Träplatta u Stoppning Seat ErgoMedic 36x39 Woodenplate Without fabric
	9	ST105090 150906	Sits ErgoMedic 33x35 Träplatta u Stoppning Seat ErgoMedic 33x35 Woodenplate Without fabric
	10	ST105590 150908	Sits ErgoMedic 29x32 Träplatta u Stoppning Seat ErgoMedic 29x32 Woodenplate Without fabric

B01 Sittplatta Träplatta med antiglid  
Seat woodenplate with antiglide



B01	1	ST101561 150610	Sits ErgoMedic 44x48 Antiglid matta Seat ErgoMedic 44x48 Antiglide
	2	ST101061 150611	Sits ErgoMedic 48x48 Antiglid matta Seat ErgoMedic 48x48 Antiglide
	3	ST102061 150612	Sits ErgoMedic 44x43 Antiglid matta Seat ErgoMedic 44x43 Antiglide
	4	ST102561 150619	Sits ErgoMedic 40x48 Antiglid matta Seat ErgoMedic 40x48 Antiglide
	5	ST103061 150613	Sits ErgoMedic 40x43 Antiglid matta Seat ErgoMedic 40x43 Antiglide
	6	ST103561 150614	Sits ErgoMedic 40x39 Antiglid matta Seat ErgoMedic 40x39 Antiglide
	7	ST104061 150617	Sits ErgoMedic 36x43 Antiglid matta Seat ErgoMedic 36x43 Antiglide
	8	ST104561 150615	Sits ErgoMedic 36x39 Antiglid matta Seat ErgoMedic 36x39 Antiglide
	9	ST105061 150616	Sits ErgoMedic 33x35 Antiglid matta Seat ErgoMedic 33x35 Antiglide
	10	ST105561 150618	Sits ErgoMedic 29x32 Antiglid matta Seat ErgoMedic 29x32 Antiglide

C01



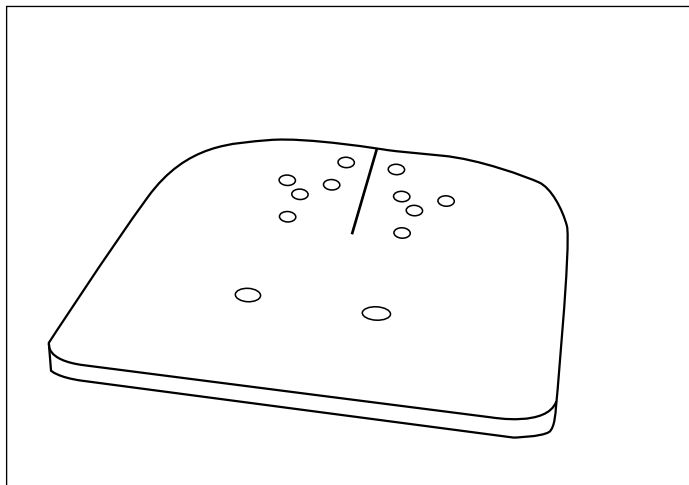
C01 803269 Skruvsats f montering av sittplatta  
Screw kit for seat assembly



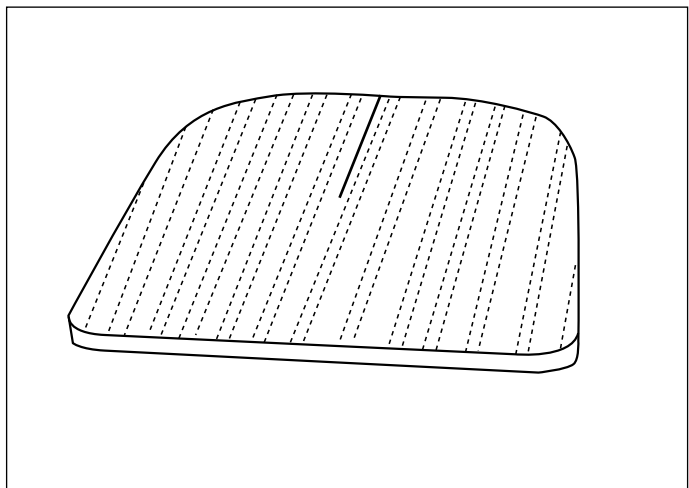
# Stycklista - Sittplatta Coxit

## Part list - Seat Coxit

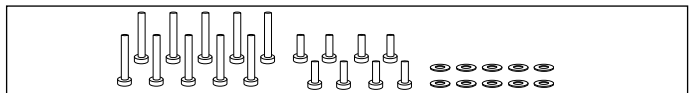
D01 Sittplatta Coxit endast träplatta  
Seat Coxit woodenplate whitout fabric



E01 Sittplatta Träplatta Coxit med antiglid  
Seat ErgoMedic Coxit with antiglide



F01



Pos Art.nr Benämning  
Pos Art.no Name

Pos	Art.nr	Benämning
D01 1	ST131590 160900	Sits ErgoM Coxit 44x48 Träplatta u Stopning Seat ErgoM Coxit 44x48 Woodenplate Without fabric
2	ST131090 160901	Sits ErgoM Coxit 48x48 Träplatta u Stopning Seat ErgoM Coxit 48x48 Woodenplate Without fabric
3	ST132090 160902	Sits ErgoM Coxit 44x43 Träplatta u Stopning Seat ErgoM Coxit 44x43 Woodenplate Without fabric
4	ST132590 160909	Sits ErgoM Coxit 40x48 Träplatta u Stopning Seat ErgoM Coxit 40x48 Woodenplate Without fabric
5	ST133090 160903	Sits ErgoM Coxit 40x43 Träplatta u Stopning Seat ErgoM Coxit 40x43 Woodenplate Without fabric
6	ST133590 160904	Sits ErgoM Coxit 40x39 Träplatta u Stopning Seat ErgoM Coxit 40x39 Woodenplate Without fabric

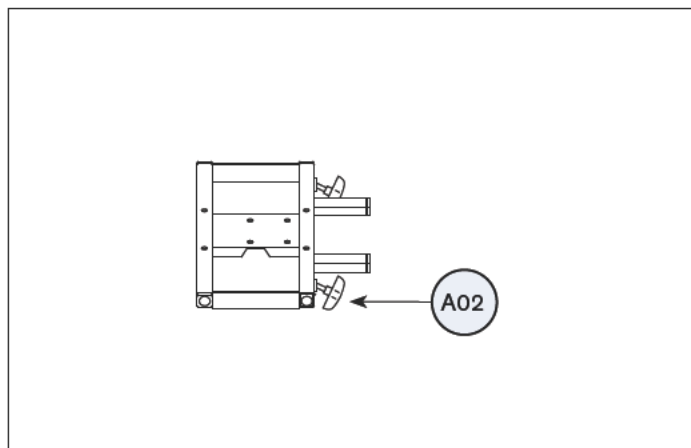
Pos	Art.nr	Benämning
E01 1	ST131561 160610	Sits ErgoMedic Coxit 44x48 Antiglid matta Seat ErgoMedic Coxit 44x48 Antiglide
2	ST131061 160611	Sits ErgoMedic Coxit 48x48 Antiglid matta Seat ErgoMedic Coxit 48x48 Antiglide
3	ST132061 160612	Sits ErgoMedic Coxit 44x43 Antiglid matta Seat ErgoMedic Coxit 44x43 Antiglide
4	ST132561 160619	Sits ErgoMedic Coxit 40x48 Antiglid matta Seat ErgoMedic Coxit 40x48 Antiglide
5	ST133061 160613	Sits ErgoMedic Coxit 40x43 Antiglid matta Seat ErgoMedic Coxit 40x43 Antiglide
6	ST133561 160614	Sits ErgoMedic Coxit 40x39 Antiglid matta Seat ErgoMedic Coxit 40x39 Antiglide

F01 803269 Skruvsats f montering av sittplatta  
Screw kit for seat assembly

# Stycklista - Sittkryss

## Part list - Seatframe

A01 Sittkryss vinkelfast  
Seatframe without angle adjustment

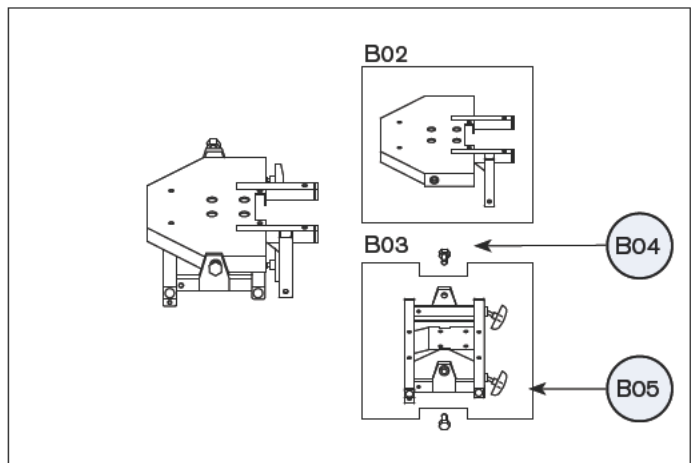


Pos Art.nr Benämning  
Pos Art.no Name

A01	1	800852	Sittkryssmekanism 9000/9100 Vf Br40-54 cm Seatframe 9000/9100 without angle adjustment 40-54 cm
	2	800853	Sittkryssmekanism 9100 Vf Br33-39 cm Seatframe 9100 without angle adjustment 33-39 cm

A02 803005 Stjärnratt Plus M8x40 (Braga gummerad)  
Gummed knob PLUS M8x40

B01 Sittkryss vinkelställbart  
Angle adjustable seatframe

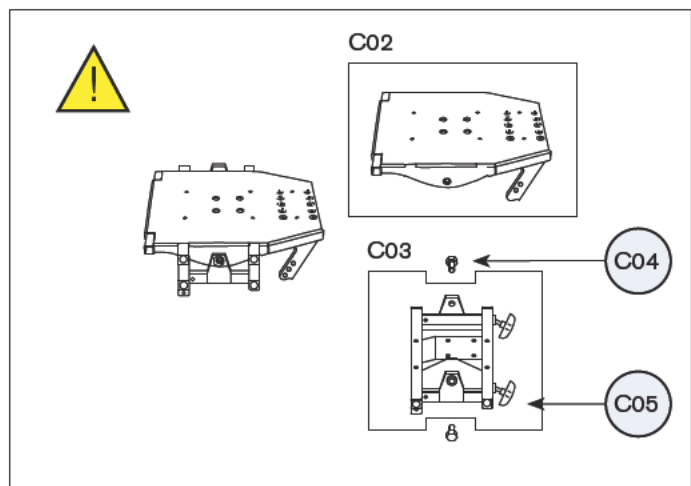


B01	1	801703	Sittkryssmekanism 9100 Vs Br40-54 cm (Vuxen) Seatframe 9100 angle adjustment width 40-54 cm
	2	801824	Sittkryssmekanism 9100 Vs Br33-39 cm Seatframe 9100 angle adjustment width 33-39 cm
B02		800857	Sittkryss Vs Övre 9000/9100 Br33-54 cm Seatframe 9000/9100 angle adj. upper sect. width 33-54 cm
B03	1	800855	Sittkryss Vs Undre 9100/9800 Br40-54 cm (Vuxen) Seatframe 9100/9800 angle adj. lower sect. width 40-54 cm
	2	800856	Sittkryss Vs Undre 9100/9800 Br33-39 cm (Barn) Seatframe 9100/9800 angle adj. lower sect. width 33-39 cm

B04 801224 Lagerskruv vinkelställb.  
Screw angle adjustable

B05 803005 Stjärnratt Plus M8x40 (Braga gummerad)  
Gummed knob PLUS M8x40

C01 Sittkryss allvinkel  
Allangle seatframe



C01	1	803070	Sittkryss 9000 Vs -15/+23 gr. Överdel/Underdel Br40-54 Vuxen Seatframe 9000 adj. angle 15-23° upper/lower width 40-54
	2	803071	Sittkryss 9000 Vs -15/+23 gr. Överdel/Underdel Br33-39 Barn Seatframe 9000 adj. angle 15-23° upper/lower width 33-39

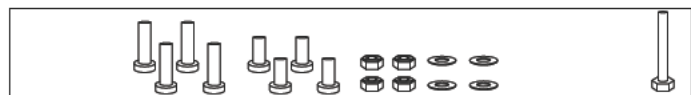
C02	1	802827	Sittkryss 9000 Vs -15/+23 gr. Överdel Br40-54 Vuxen Seatframe 9000 adj. angle 15/23° upperpart width 40-54
	2	802828	Sittkryss 9000 Vs -15/+23 gr. Överdel Br33-39 Barn Seatframe 9000 adj. angle 15/23° upperpart width 33-39

C03	1	800855	Sittkryss Vs Undre 9100/9800 Br40-54 (Vuxen) Seatframe 9100/9800 angle adj. lower section width 40-54
	2	800856	Sittkryss Vs Undre 9100/9800 Br33-39 (Barn) Seatframe 9100/9800 angle adj. lower section width 33-39

C04 801224 Lagerskruv vinkelställb.  
Screw angle adjustable

C05 803005 Stjärnratt Plus M8x40 (Braga gummerad)  
Gummed knob PLUS M8x40

D01 Skruvsats för lyftomat  
Screw kit for liftomat assembly

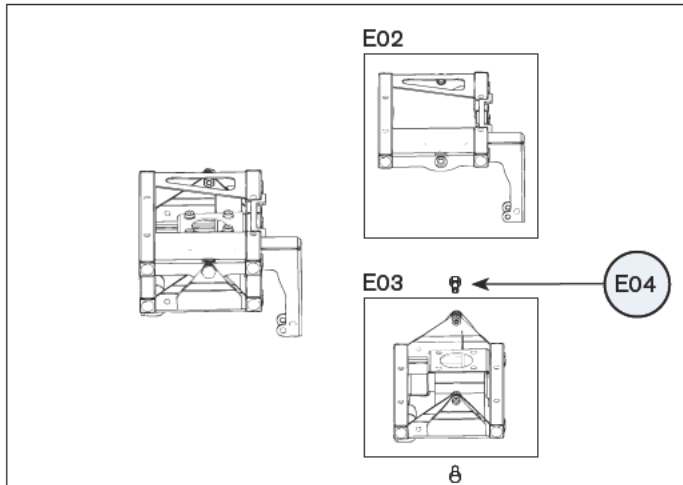


D01 803268 Skruvsats f montering av manuell eller el-lyftomat  
Screw kit for liftomat assembly or electric liftomat

# Stycklista - Sittkryss

## Part list - Seatframe

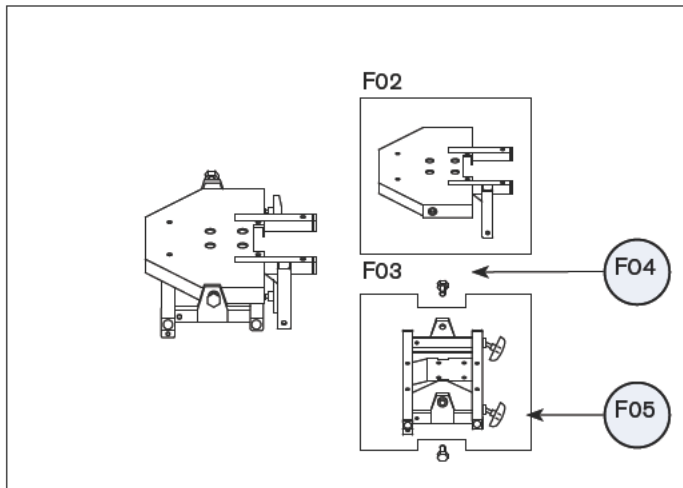
E01 Sittkryss vinkelställbart  
Angle adjustable seatframe



Pos Art.nr Benämning  
Pos Art.no Name

E01	803527	Sittkryssmek 9000/EL Vs-15/+15 Br29-39 Max brukarvikt 75kg Seatframe 9000/EL angle adj. -15/+15 width 29-39 cm max user weight 75 kg
E02	803577	Sittkryssunderdel 9000 B29-39 Vs -15/+15 9000 Max 75kg Seatframe 9000/EL angle adj. -15/+15 lower section width 29-39 cm max user weight 75 kg
E03	803576	Sittkryssöverdel 9000 B29-39 Vs -15/+15 9000 Max 75kg Seatframe 9000/EL angle adj. -15/+15 upper section width 29-39 cm max user weight 75 kg
E04	803578	Lagerskruv f vinkelställbara sittkryss M8 gänga Screw for angle adjustable seat frames M8

F01 Sittkryss vinkelställbart Mini  
Angle adjustable seatframe Mini



F01	802770	Sittkryss PLUS Mini kpl Seatframe PLUS Mini
F02	803164	Sittkryss Överdel PLUS Mini kpl Seatframe upper part PLUS Mini
F03	803163	Sittkryss Underdel Mini kpl Seatframe lower part PLUS Mini
F04	801224	Lagerskruv vinkelställbar Screw angle adjustable
F05	803005	Stjärnratt Plus M8x40 (Braga gummerad) Gummed knob PLUS M8x40

G01 Skruvsats för lyftomat  
Screw kit for liftomat assembly

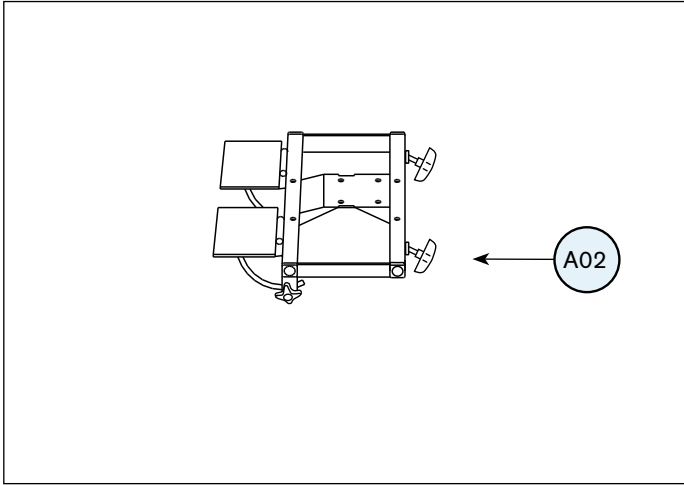


G01 803268 Skruvsats f montering av manuell eller el-lyftomat  
Screw kit for liftomat assembly or electric liftomat

# Stycklista - Sittkryss Coxit

## Part list - Seatframe Coxit

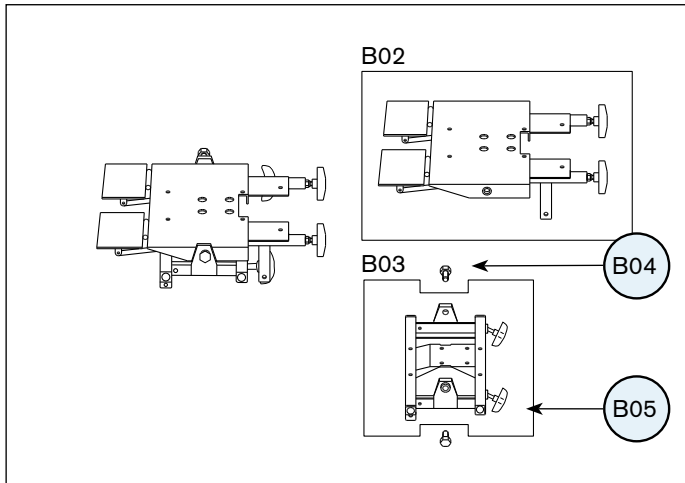
A01 Sittkryss vinkelfast coxit  
Seatframe coxit without angle adjustment



Pos	Art.nr	Benämning
Pos	Art.no	Name
A01	800854	Sittkryssmekanism 9800 Vf Br40-54 (Coxit) Seatframe 9800 without angle adjustment 40-54 cm

A02	803005	Stjärnratt Plus M8x40 (Braga gummerad) Gummed knob PLUS M8x40
-----	--------	------------------------------------------------------------------

B01 Sittkryss vinkelställbart coxit  
Angle adjustable coxit seatframe

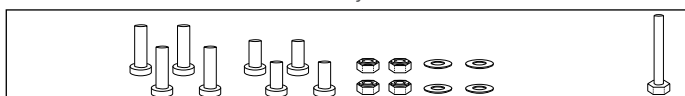


B01	801953	Sittkryssmekanism 9800 Vs Br40-54 cm (Coxit) Seatframe 9800 angle adjustment width 40-54 cm
B02	800858	Sittkryss Vs Övre 9700+9800 Br40-54 cm (Coxit) Seatframe 9700+9800 angle adjustment upper section width 40-54
B03	800855	Sittkryss Vs Undre 9100/9800 Br40-54 cm (Vuxen) Seatframe 9100/9800 angle adj. lower section width 40-54

B04	801224	Lagerskruv vinkelställb. Screw angle adjustable
-----	--------	----------------------------------------------------

B05	803005	Stjärnratt Plus M8x40 (Braga gummerad) Gummed knob PLUS M8x40
-----	--------	------------------------------------------------------------------

C01 Skruvsats för lyftomat  
Screw kit for liftomat assembly

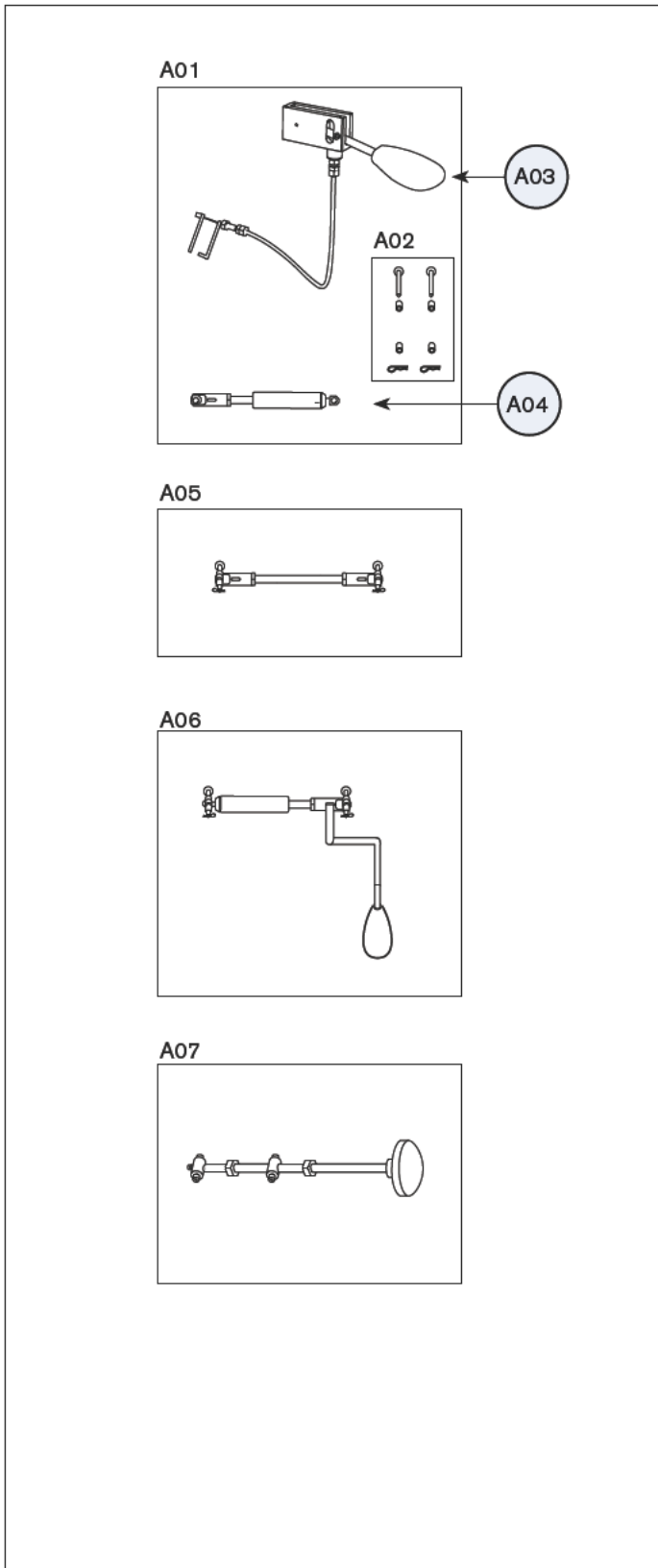


C01	803268	Skruvsats f monterng av manuell eller el-lyftomat Screw kit for liftomat assembly or electric liftomat
-----	--------	-----------------------------------------------------------------------------------------------------------

# Stycklista - Reglage för sitsvinkling

## Part list - Controls for seat angle adjustment

A



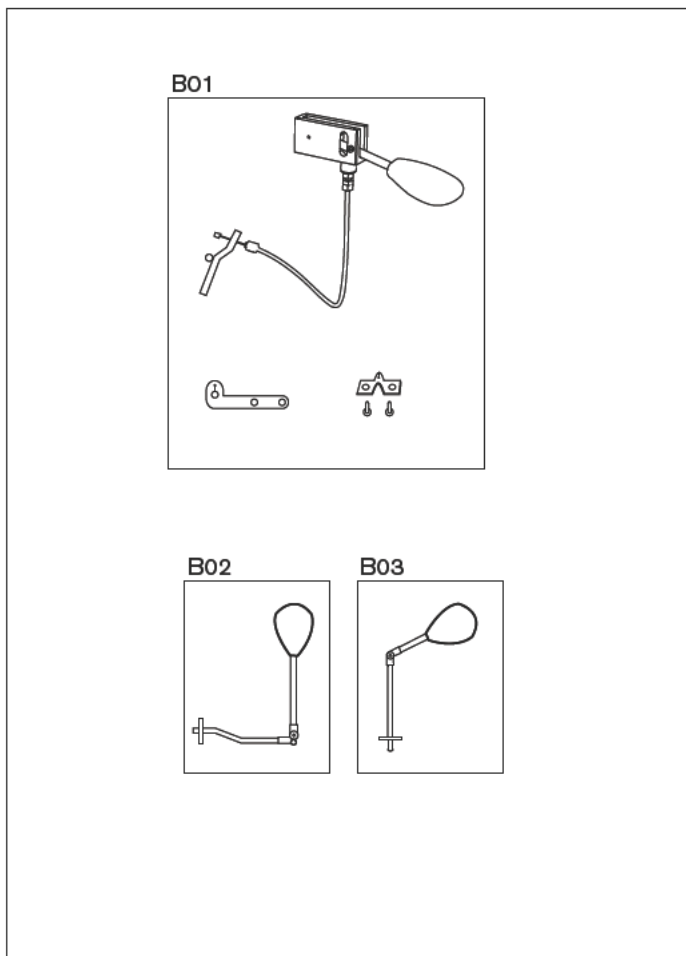
Pos	Art.nr	Benämning
Pos	Art.no	Name
A01	802767	Sitsvinkelreglage PLUS u armstöd inkl gasfjäder <i>Seat angle control PLUS under armrest including gasspring</i>
A02	803508	Cylindriskbult Låsnål Distans för sitsvinklingskolv <i>Cylindrical bolt, locking pin spacer for seat angle piston</i>
A03	803265	Sitsvinkelreglage PLUS u armstöd exklusive gasfjäder <i>Seat angle control excluding gas spring</i>
A04	801145	Gasfjäder 250 N/ 46 mm t Vinkelsits <i>Gasspring 250 N/ 46 mm for seat angle</i>
A05	802236	Sitsvinkelkit Vf f vinkelkruss ersätter vev/gas/elvinkel <i>Seat angle kit for seatframe with fixed angle, replaces crank/gasspring/electric angling</i>
A06	803267	Sitsvinkelreglage PLUS u sits inkl gasfjäder <i>Seat angle control PLUS under seat including gasspring</i>
A07	800829	Vevreglage sitsv. 9000 Komplet sats <i>Handlecontrol seat angle 9000 complete kit</i>

Reglage för elrelgerad sitsvinkling se sid 35.  
*Control for electric seat angle adjustment, view page 35.*

# Stycklista - Reglage för sitthöjd

## Part list - Controls for seat height

B



Pos	Art.nr	Benämning
Pos	Art.no	Name
B01 1	803116	Sitthöjdsreglage under armstöd f vf i PLUS-utförande <i>Seat height control under armrest for fixed seat angle</i>
2	803117	Sitthöjdsreglage under armstöd f vs i PLUS-utförande <i>Seat height control under armrest for seat angle adjustment</i>
3	803506	Sitthöjdsreglage under armstöd f vf/vs i PLUS-utförande <i>Seat height control under armrest for both fixed seat angle and seat angle adjustment</i>

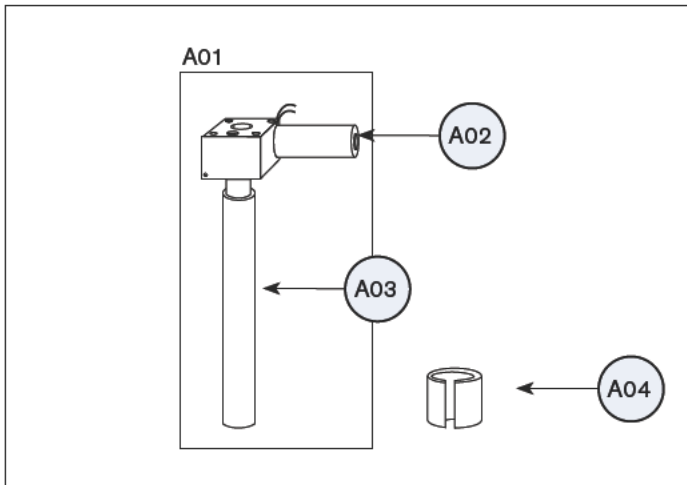
B02 1	802908	Sitthöjdsreglage u sits f Vs 9000 Vuxen PLUS Hø/Vä <i>Seat height control under seat for seat angle adjustment, Adult</i>
2	803016	Sitthöjdsreglage u sits f Vs 9000 Barn PLUS Hø/Vä <i>Seat height control under seat for seat angle adjustment, Child</i>
3	803017	Sitthöjdsreglage u sits f Vs 9000 Mini PLUS Hø/Vä <i>Seat height control under seat for seat angle adjustment, Mini</i>

B03 1	802974	Sitthöjdsreglage u sits f Vf 9000 Vuxen PLUS Hø/Vä <i>Seat height control under seat for fixed seat angle, Adult</i>
2	803033	Sitthöjdsreglage u sits f Vf 9000 Barn PLUS Hø/Vä <i>Seat height control under seat for fixed seat angle, Child</i>

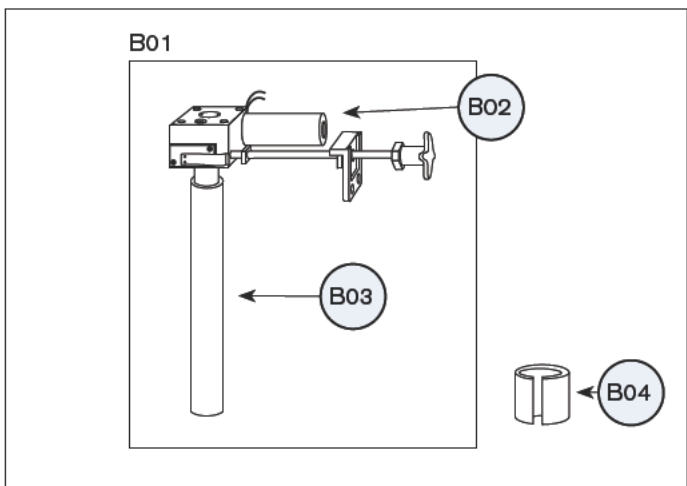
# Stycklista - Ellyftomat

## Part list - Ellyftomat

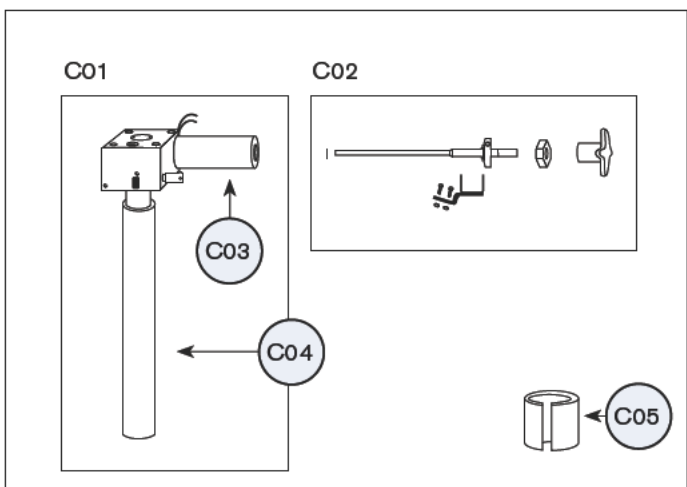
### A Utan rotation Without rotation



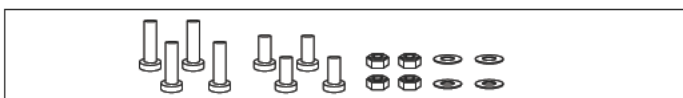
### B Rotation för vinkelfast sittkryss Rotation for non angle adjustable seatframe



### C Rotation för vinkelställt sittkryss Rotation for angle adjustable seatframe



### D01 Skruv sats för lyftomat Screw kit for liftomat assembly



Pos	Art.nr	Benämning
Pos	Art.no	Name
A01 1	801094	Ellyftomat 28 cm <i>Electric height adjustment 28 cm</i>
2	801106	Ellyftomat 20 cm <i>Electric height adjustment 20 cm</i>
A02	800271	Motor M48x50/l 12Vdc 6400rpm 6400rpm <i>Motor 6400 rpm</i>
A03 1	802524	Ytterrör+Spärrör+Kil linjärstyrning 280 <i>Outer tube+track tube 280</i>
2	802525	Ytterrör+Spärrör+Kil linjärstyrning 200 <i>Outer tube+track tube 200</i>
A04	801177	Plastinsats för Ellyftomat Klämförbandsinsats <i>Plastic inset for Electric liftomat clamps lining</i>

B01 1	801095	Ellyftomat 28 cm Rotation Höger <i>Electric height adjustment 28 cm Rotation right</i>
2	801101	Ellyftomat 28 cm Rotation Vänster <i>Electric height adjustment 28 cm Rotation left</i>
3	801107	Ellyftomat 20 cm Rotation Höger <i>Electric height adjustment 20 cm Rotation right</i>
4	801114	Ellyftomat 20 cm Rotation Vänster <i>Electric height adjustment 20 cm Rotation left</i>
5	801110	Ellyftomat 20 cm Rotation Höger t sits 40 cm och < <i>Electric height adjustment 20 cm Rot.right, to seat 40 cm or &lt;</i>
6	801097	Ellyftomat 20 cm Rotation Vänster t sits 40 cm och < <i>Electric height adjustment 20 cm Rot.left, to seat 40 cm or &lt;</i>
B02	800271	Motor M48x50/l 12Vdc 6400rpm 6400rpm <i>Motor 6400 rpm</i>
B03 1	802839	Ytterrör+Spärrör f rotation + Kil linjärstyrning 280 <i>Outer tube+track tube 280</i>
2	802840	Ytterrör+Spärrör f rotation + Kil linjärstyrning 200 <i>Outer tube+track tube 200</i>
B04	801177	Plastinsats för Ellyftomat Klämförbandsinsats <i>Plastic inset for Electric liftomat clamps lining</i>

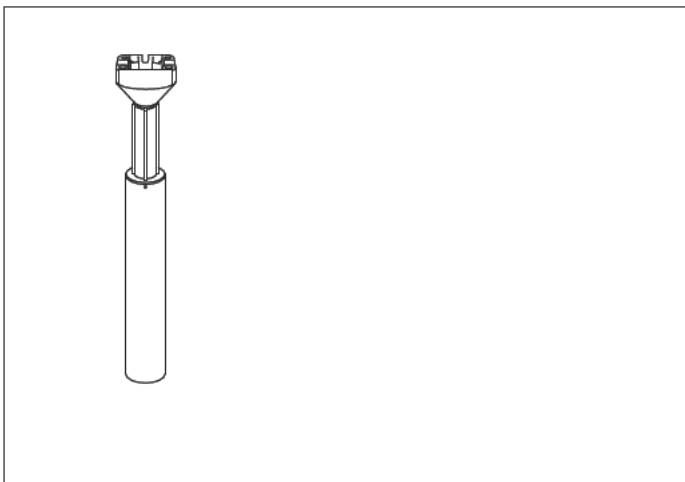
C01 1	801098	Ellyftomat 28 cm Rotation Höger f böjlig axel <i>Electric height adjustment 28 cm Rotation right f flexible axle</i>
2	801103	Ellyftomat 28 cm Rotation Vänster f böjlig axel <i>Electric height adjustment 28 cm Rotation left f flexible axle</i>
3	801111	Ellyftomat 20 cm Rotation Höger f böjlig axel <i>Electric height adjustment 20 cm Rotation right f flexible axle</i>
4	801117	Ellyftomat 20 cm Rotation Vänster f böjlig axel <i>Electric height adjustment 20 cm Rotation left f flexible axle</i>
C02	801133	Axel Rot.spärr Böjlig El- lyftomat kpl <i>Axis bendable</i>
C03	800271	Motor M48x50/l 12Vdc 6400rpm 6400rpm <i>Motor 6400 rpm</i>
C04 1	802839	Ytterrör+Spärrör f rot + Kil linjärstyrning 280 <i>Outer tube+track tube 280</i>
2	802840	Ytterrör+Spärrör f rot+Kil linjärstyrning 200 <i>Outer tube+track tube 200</i>
C05	801177	Plastinsats för Ellyftomat Klämförbandsinsats <i>Plastic inset for Electric liftomat clamps lining</i>

D01	803268	Skruvsats f montering av manuell eller el-lyftomat <i>Screw kit for liftomat assembly or electric liftomat</i>
-----	--------	-------------------------------------------------------------------------------------------------------------------

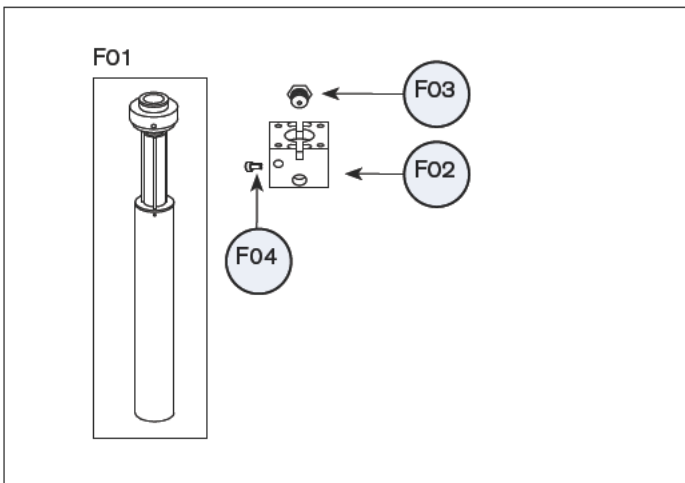
# Stycklista - Fixlyftomat

## Part list - Fixlyftomat

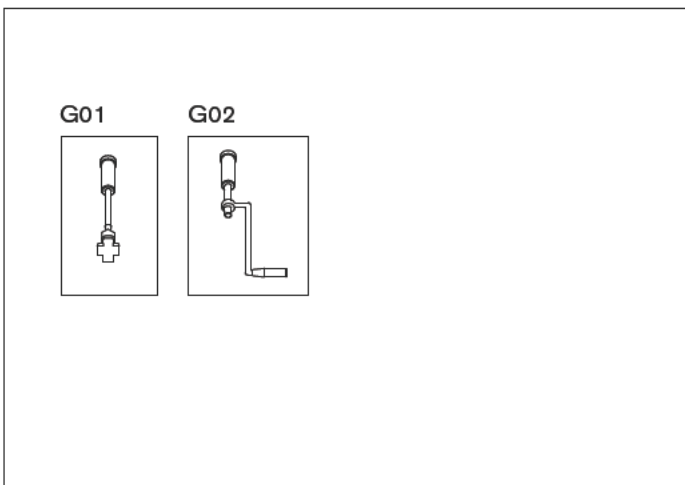
E01 Fixlyftomat  
Fixliftomat



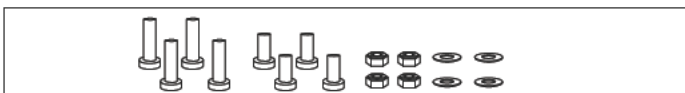
F Fixlyftomat med rotation  
Fixliftomat with rotation



G Spakar för rotation  
Levers for rotation



H01 Skruvsats för lyftomat  
Screw kit for liftomat assembly



Pos Art.nr Benämning  
Pos Art.no Name

E01	1	801025	Fixlyftomat 200mm 55-90 kg tryck m Alufäste Fixliftomat 200mm 55-90 kg with aluminium grip
	2	801029	Fixlyftomat 200mm <55-90 kg tryck m Alufäste Fixliftomat 200mm <55-90 kg with aluminium grip
	3	801033	Fixlyftomat 200mm 90-130 kg tryck m Alufäste Fixliftomat 200mm 90-130 kg with aluminium grip
	4	801037	Fixlyftomat 140mm 55-90 kg tryck m Alufäste Fixliftomat 140mm 55-90 kg with aluminium grip
	5	801041	Fixlyftomat 140mm <55-90 kg tryck m Alufäste Fixliftomat 140mm <55-90 kg with aluminium grip
	6	801045	Fixlyftomat 140mm 90-130 kg tryck m Alufäste Fixliftomat 140mm 90-130 kg with aluminium grip

F01	1	801026	Fixlyftomat 200mm 55-90 kg tryck m Rotation Fixliftomat 200mm 55-90 kg with rotation
	2	801030	Fixlyftomat 200mm <55-90 kg tryck m Rotation Fixliftomat 200mm <55-90 kg with rotation
	3	801034	Fixlyftomat 200mm 90-130 kg tryck m Rotation Fixliftomat 200mm 90-130 kg with rotation
	4	801038	Fixlyftomat 140mm 55-90 kg tryck m Rotation Fixliftomat 140mm 55-90 kg with rotation
	5	801042	Fixlyftomat 140mm 200N <55-90 kg tryck m Rotation Fixliftomat 140mm <55-90 kg with rotation
	6	801046	Fixlyftomat 140mm 90-130 kg tryck m Rotation Fixliftomat 140mm 90-130 kg with rotation
F02		801055	Hus Manuell Vs. std.+rot House
F03		801225	Låsskruv Fixlyft M18x1 Locking screw fixliftomat M18x1
F04		800414	MC6S M5x10 O.B.H 12.9 Insexskruv M5x10 MC6S M5x10 O.B.H 12.9 Insexskruv M5x10

G01		801151	Rotation låsspak t Vf. Sits manuell Rotationlock lever for non adjustable manual seat
G02		801545	Rotation låsspak kpl.Vs. Sits manuell Rotationlock lever for seat angle adjustment. Manual seat

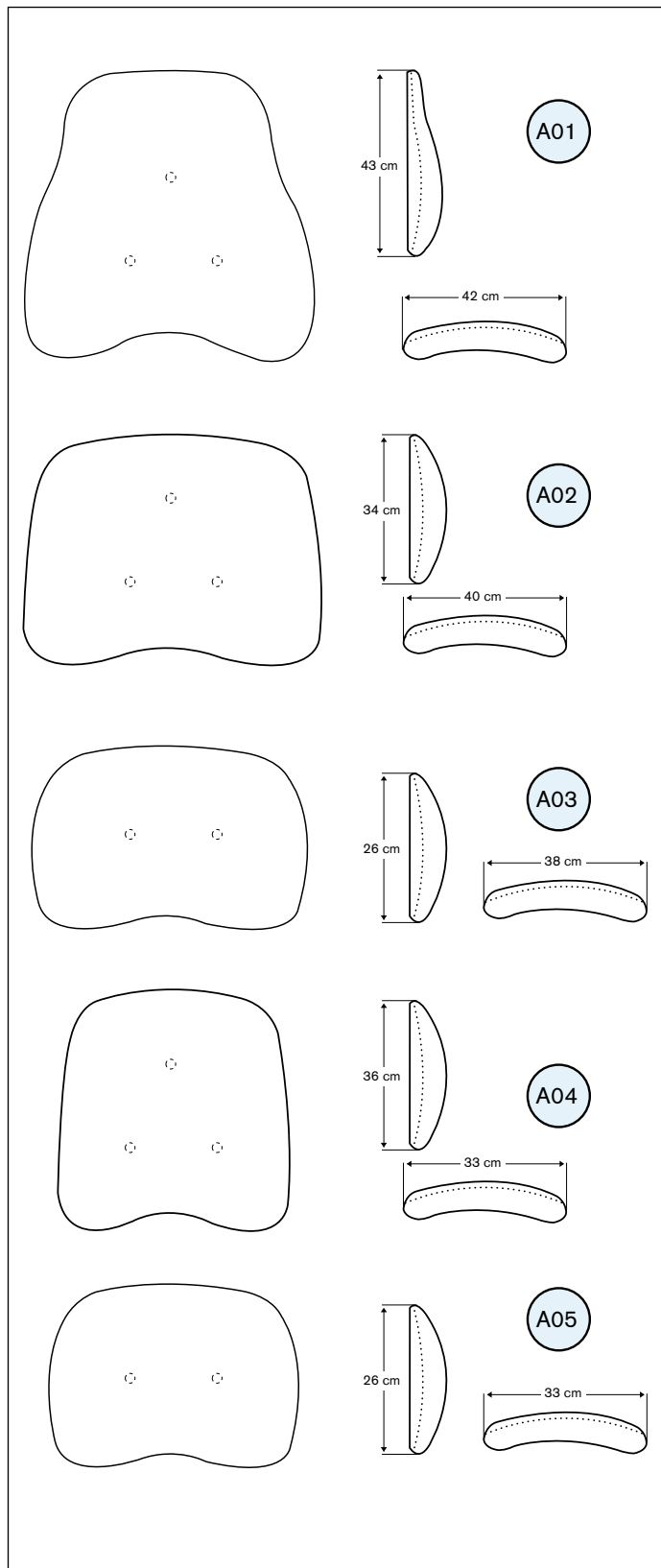
H01		803268	Skruvsats f montering av manuell eller el-lyftomat Screw kit for liftomat assembly or electric liftomat
-----	--	--------	------------------------------------------------------------------------------------------------------------



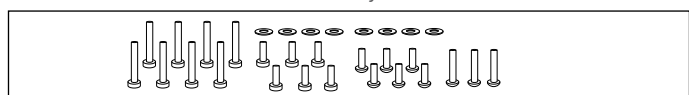
# Stycklista - Ryggplatta

## Part list - Backrest

A Ryggar ErgoMedic  
Backrest ErgoMedic



B01 Skruv sats för montering av rygg och ryggfällning  
Screw kit for backrest assembly



Pos Art.nr Benämning  
Pos Art.no Name

- | Pos   | Art.nr             | Benämning                                                                            |
|-------|--------------------|--------------------------------------------------------------------------------------|
| A01 1 | BR101546<br>210468 | Rygg ErgoMedic 42x43 Plysch Grå<br>Backrest ErgoMedic 42x43 Plush Grey               |
| 2     | BR111546<br>215468 | Rygg ErgoMedic 42x43 Plysch Grå Slowrec.<br>Back ErgoMedic 42x43 Plush Grey Slowrec. |

- |       |                    |                                                                                                    |
|-------|--------------------|----------------------------------------------------------------------------------------------------|
| A02 1 | BR103046<br>210461 | Rygg ErgoMedic 40x34 Plysch Grå<br>Backrest ErgoMedic 40x34 Plush Grey                             |
| 2     | BR303046<br>211461 | Rygg ErgoM. f bålstöd 40x34 Plysch Grå<br>Backr. ErgoM. trunks. 40x34 Plush Grey                   |
| 3     | BR113046<br>215461 | Rygg ErgoMedic 40x34 Plysch Grå Slowrec.<br>Back ErgoMedic 40x34 Plush Grey Slowrec.               |
| 4     | BR313046<br>216461 | Rygg ErgoM. f bålstöd 40x34 Plysch Grå Slowrec.<br>Backr. ErgoM. trunks. 40x34 Plush Grey Slowrec. |

- |       |                    |                                                                                      |
|-------|--------------------|--------------------------------------------------------------------------------------|
| A03 1 | BR105546<br>210460 | Rygg ErgoMedic 38x26 Plysch Grå<br>Backrest ErgoMedic 38x26 Plush Grey               |
| 2     | BR115546<br>215460 | Rygg ErgoMedic 38x26 Plysch Grå Slowrec.<br>Back ErgoMedic 38x26 Plush Grey Slowrec. |

- |       |                    |                                                                                      |
|-------|--------------------|--------------------------------------------------------------------------------------|
| A04 1 | BR102546<br>210463 | Rygg ErgoMedic 33x36 Plysch Grå<br>Backrest ErgoMedic 33x36 Plush Grey               |
| 2     | BR112546<br>215463 | Rygg ErgoMedic 33x36 Plysch Grå Slowrec.<br>Back ErgoMedic 33x36 Plush Grey Slowrec. |

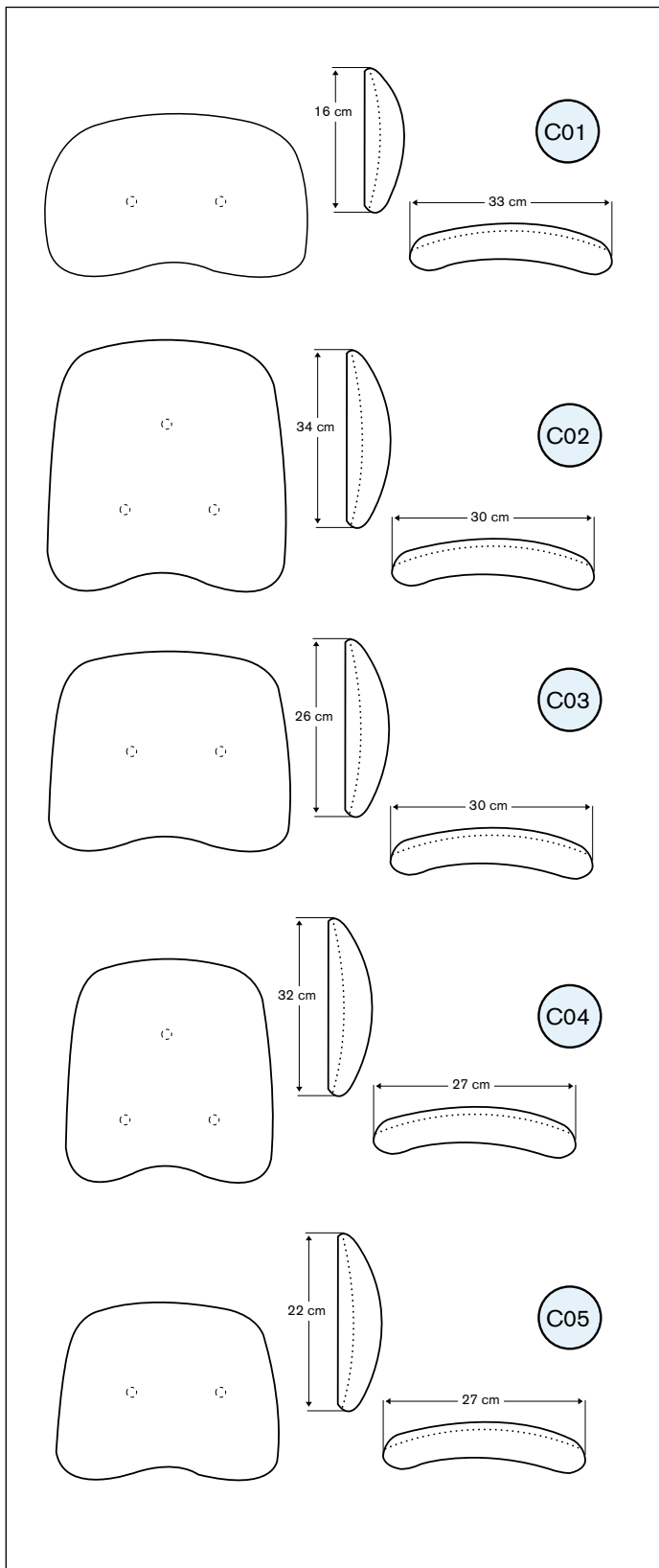
- |       |                    |                                                                                      |
|-------|--------------------|--------------------------------------------------------------------------------------|
| A05 1 | BR106046<br>210462 | Rygg ErgoMedic 33x26 Plysch Grå<br>Backrest ErgoMedic 33x26 Plush Grey               |
| 2     | BR116046<br>215462 | Rygg ErgoMedic 33x26 Plysch Grå Slowrec.<br>Back ErgoMedic 33x26 Plush Grey Slowrec. |

B01 803270 Skruvsats f montering av rygg och ryggfällning  
Screw kit for backrest assembly

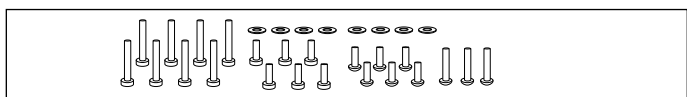
# Stycklista - Ryggplatta

## Part list - Backrest

C Ryggar ErgoMedic  
Backrest ErgoMedic



D01 Skruv sats för montering av rygg och ryggfällning  
Screw kit for backrest assembly



Pos Art.nr Benämning  
Pos Art.no Name

C01 [BR109046](#) Magplatta/Rygg Classic 33x16 Plysch Grå  
230461 Stomach support/Backrest Classic 33x16 Plush Grey

C02 1 [BR103546](#) Rygg ErgoMedic 30x34 Plysch Grå  
210465 Backrest ErgoMedic 30x34 Plush Grey  
2 [BR113546](#) Rygg ErgoMedic 30x34 Plysch Grå Slowrec.  
215465 Back ErgoMedic 30x34 Plush Grey Slowrec.

C03 1 [BR106546](#) Rygg ErgoMedic 30x26 Plysch Grå  
210464 Backrest ErgoMedic 30x26 Plush Grey  
2 [BR116546](#) Rygg ErgoMedic 30x26 Plysch Grå Slowrec.  
215464 Back ErgoMedic 30x26 Plush Grey Slowrec.

C04 1 [BR104546](#) Rygg ErgoMedic 27x32 Plysch Grå  
210467 Backrest ErgoMedic 27x32 Plush Grey  
2 [BR114546](#) Rygg ErgoMedic 27x32 Plysch Grå Slowrec.  
215467 Back ErgoMedic 27x32 Plush Grey Slowrec.

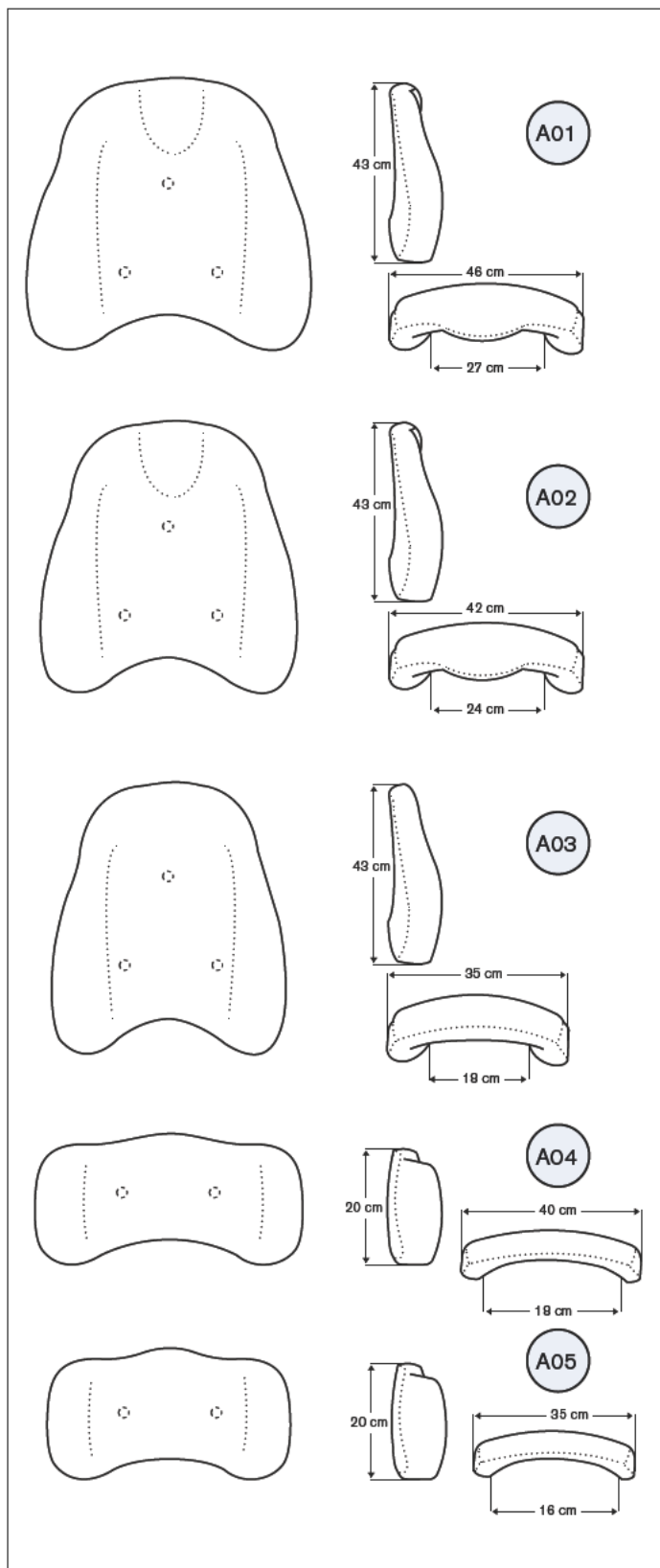
C05 1 [BR107046](#) Rygg ErgoMedic 27x22 Plysch Grå  
210466 Backrest ErgoMedic 27x22 Plush Grey  
2 [BR117046](#) Rygg ErgoMedic 27x22 Plysch Grå Slowrec.  
215466 Back ErgoMedic 27x22 Plush Grey Slowrec.

D01 [803270](#) Skruvsats f montering av rygg och ryggfällning  
Screw kit for backrest assembly

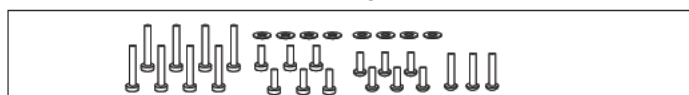
# Stycklista - Ryggplatta

## Part list - Backrest

### A Ryggar ErgoMedic PLUS Backrest ErgoMedic PLUS



### B01 Skruv sats för montering av rygg och ryggfällning Screw kit for backrest assembly



Pos	Art.nr	Benämning
Pos	Art.no	Name

A01	1	<a href="#">BR201046</a> Rygg ErgoMedic PLUS 46x43 Plysch Grå 251469 Backrest ErgoMedic PLUS 46x43 Plush Grey
	2	<a href="#">BR221046</a> Rygg ErgoMedic 46x43 Plysch Grå Slowrec. 256469 Back ErgoMedic 46x43 Plush Grey Slowrec.

A02	1	<a href="#">BR201546</a> Rygg ErgoMedic PLUS 42x43 Plysch Grå 251468 Backrest ErgoMedic PLUS 42x43 Plush Grey
	2	<a href="#">BR221546</a> Rygg ErgoMedic 42x43 Plysch Grå Slowrec. 256468 Back ErgoMedic 42x43 Plush Grey Slowrec.

A03	1	<a href="#">BR202046</a> Rygg ErgoMedic PLUS 35x43 Plysch Grå 251463 Backrest ErgoMedic PLUS 35x43 Plush Grey
	2	<a href="#">BR222046</a> Rygg ErgoMedic 35x43 Plysch Grå Slowrec. 256463 Back ErgoMedic 35x43 Plush Grey Slowrec.

A04	1	<a href="#">BR207546</a> Rygg ErgoMedic PLUS 40x20 Plysch Grå 251460 Backrest ErgoMedic PLUS 40x20 Plush Grey
	2	<a href="#">BR227546</a> Rygg ErgoMedic 40x20 Plysch Grå Slowrec. 256460 Back ErgoMedic 40x20 Plush Grey Slowrec.

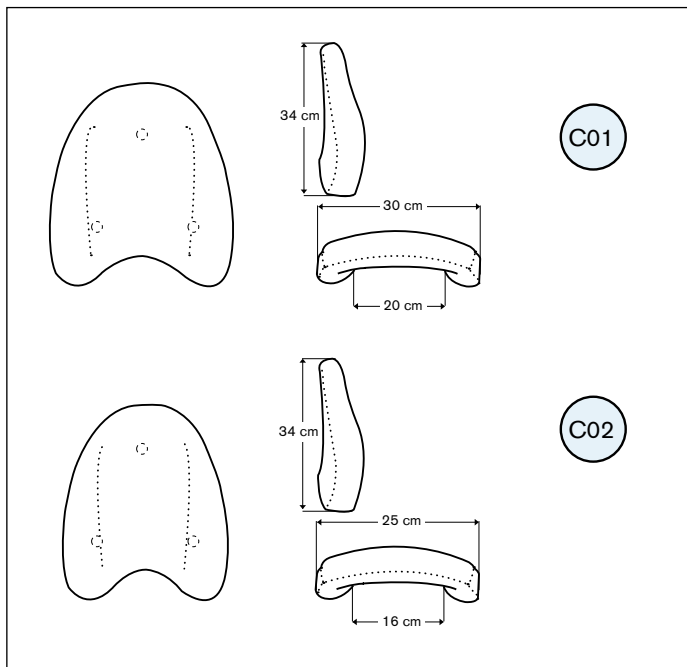
A05	1	<a href="#">BR208046</a> Rygg ErgoMedic PLUS 35x20 Plysch Grå 251462 Backrest ErgoMedic PLUS 35x20 Plush Grey
	2	<a href="#">BR228046</a> Rygg ErgoMedic 35x20 Plysch Grå Slowrec. 256462 Back ErgoMedic 35x20 Plush Grey Slowrec.

B01	<a href="#">803270</a>	Skruvsats f montering av rygg och ryggfällning Screw kit for backrest assembly
-----	------------------------	-----------------------------------------------------------------------------------

# Stycklista - Ryggplatta

## Part list - Backrest

C Ryggar ErgoMedic PLUS  
Backrest ErgoMedic PLUS



Pos	Art.nr	Benämning
Pos	Art.no	Name

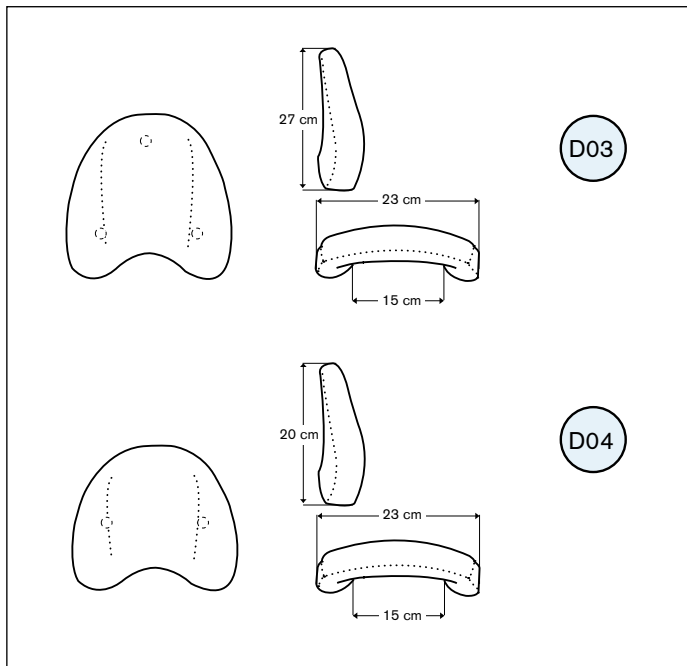
C01	1	<b>BR203546</b> Rygg ErgoMedic PLUS 30x34 Plysch Grå 251465 Backrest ErgoMedic PLUS 30x34 Plush Grey
	2	<b>BR223546</b> Rygg ErgoMedic 30x34 Plysch Grå Slowrec. 256465 Back ErgoMedic 30x34 Plush Grey Slowrec.

C02	1	<b>BR204046</b> Rygg ErgoMedic PLUS 25x34 Plysch Grå 251464 Backrest ErgoMedic PLUS 25x34 Plush Grey
	2	<b>BR224046</b> Rygg ErgoMedic 25x34 Plysch Grå Slowrec. 256464 Back ErgoMedic 25x34 Plush Grey Slowrec.

# Stycklista - Ryggplatta

## Part list - Backrest

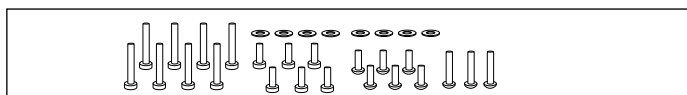
D Ryggar ErgoMedic  
Backrest ErgoMedic



D03	<b>BR105046</b> Rygg ErgoMedic 23x27 Plysch Grå 213461 Backrest ErgoMedic 23x27 Plush Grey
-----	-----------------------------------------------------------------------------------------------

D04	<b>BR108546</b> Rygg ErgoMedic 23x20 Plysch Grå 213460 Backrest ErgoMedic 23x20 Plush Grey
-----	-----------------------------------------------------------------------------------------------

E01 Skruv sats för montering av rygg och ryggfällning  
Screw kit for backrest assembly

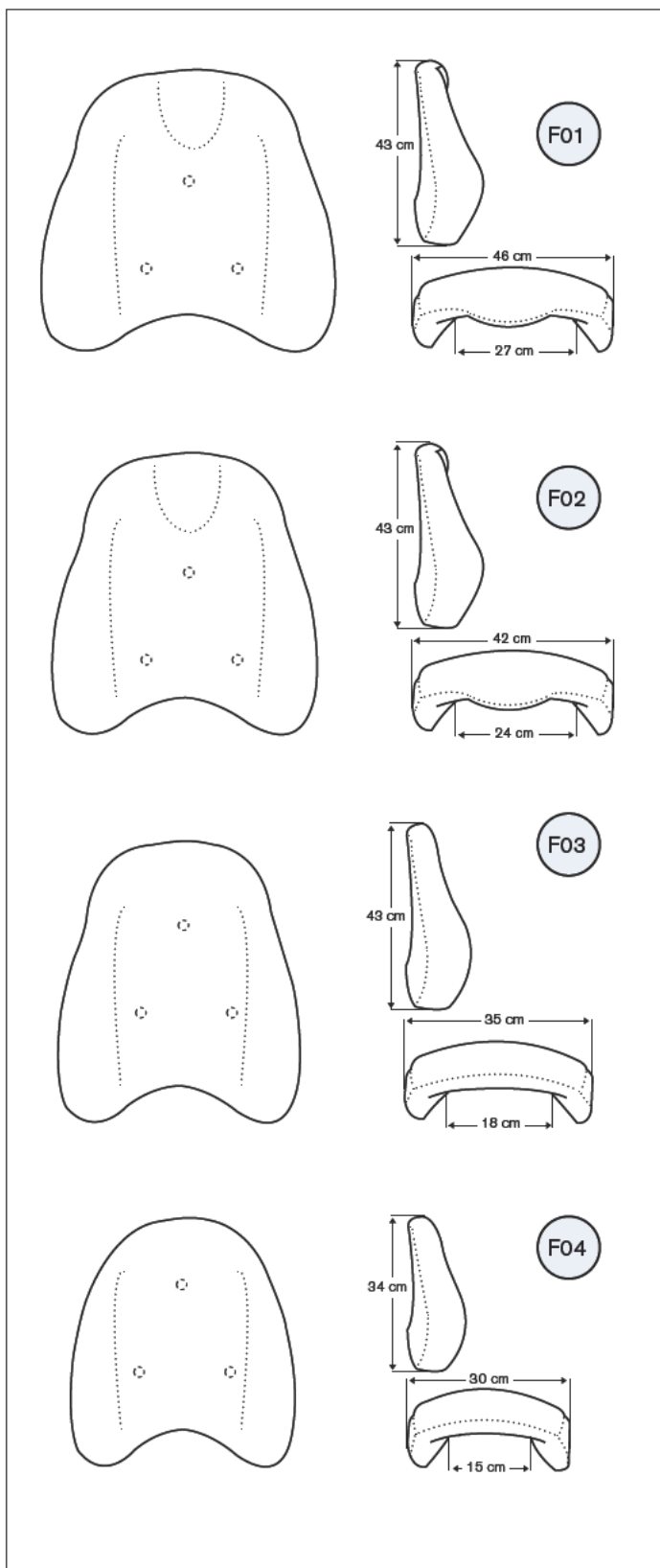


E01	<b>803270</b> Skruvsats f montering av rygg och ryggfällning Screw kit for backrest assembly
-----	-------------------------------------------------------------------------------------------------

# Stycklista - Ryggplatta

## Part list - Backrest

F Ryggar ErgoMedic PLUS med sidokil  
Backrest ErgoMedic PLUS with wedge



Pos Art.nr Benämning  
Pos Art.no Name

F01 1 **BR251046** Rygg EM PLUS m Sidokil 46x43 Plysch Grå  
252469 Backrest EM PLUS w sidewedge 46x43 Plush Grey  
2 **BR351046** Rygg EM PLUS med förstärkt Sidokil 46x43 cm Plysch Grå  
257469 Backrest EM PLUS w reinforced sidewedge 46x43 Plush Grey

F02 1 **BR251546** Rygg EM PLUS m Sidokil 42x43 Plysch Grå  
252468 Backrest EM PLUS w sidewedge 42x43 Plush Grey  
2 **BR351546** Rygg EM PLUS med förstärkt Sidokil 42x43 cm Plysch Grå  
257468 Backrest EM PLUS w reinforced sidewedge 42x43 Plush Grey

F03 1 **BR252046** Rygg EM PLUS m Sidokil 35x43 Plysch Grå  
252463 Backrest EM PLUS w sidewedge 35x43 Plush Grey  
2 **BR352046** Rygg EM PLUS med förstärkt Sidokil 35x43 cm Plysch Grå  
257463 Backrest EM PLUS w reinforced sidewedge 35x43 Plush Grey

F04 **BR253546** Rygg EM PLUS m Sidokil 30x34 Plysch Grå  
252465 Backrest EM PLUS w sidewedge 30x34 Plush Grey

G01 Skruv sats för montering av rygg och ryggfällning  
Screw kit for backrest assembly

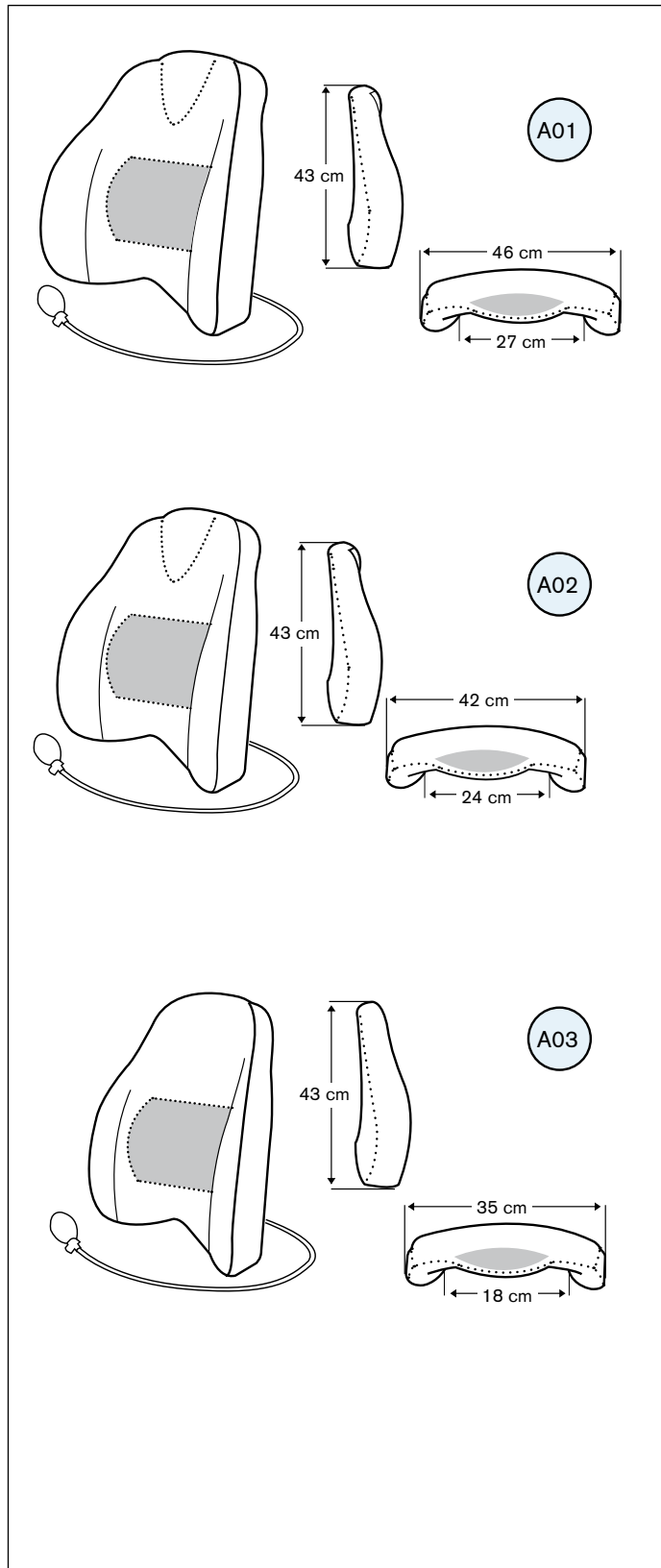


G01 **803270** Skruvsats f montering av rygg och ryggfällning  
Screw kit for backrest assembly

# Stycklista - Ryggplatta

## Part list - Backrest

A Ryggar ErgoMedic PLUS Comfort  
Backrest ErgoMedic PLUS comfort



Pos Art.nr Benämning  
Pos Art.no Name

A01 BR211046 Rygg ErgoMedic PLUS 46x43 Comfort Plysch Grå  
254469 Backrest ErgoMedic PLUS 46x43 Comfort Grey Plush

A02 BR211546 Rygg ErgoMedic PLUS 42x43 Comfort Plysch Grå  
254468 Backrest ErgoMedic PLUS 42x43 Comfort Grey Plush

A03 BR212046 Rygg ErgoMedic PLUS 35x43 Comfort Plysch Grå  
254463 Backrest ErgoMedic PLUS 35x43 Comfort Grey Plush

B01 Skruv sats för montering av rygg och ryggfällning  
Screw kit for backrest assembly

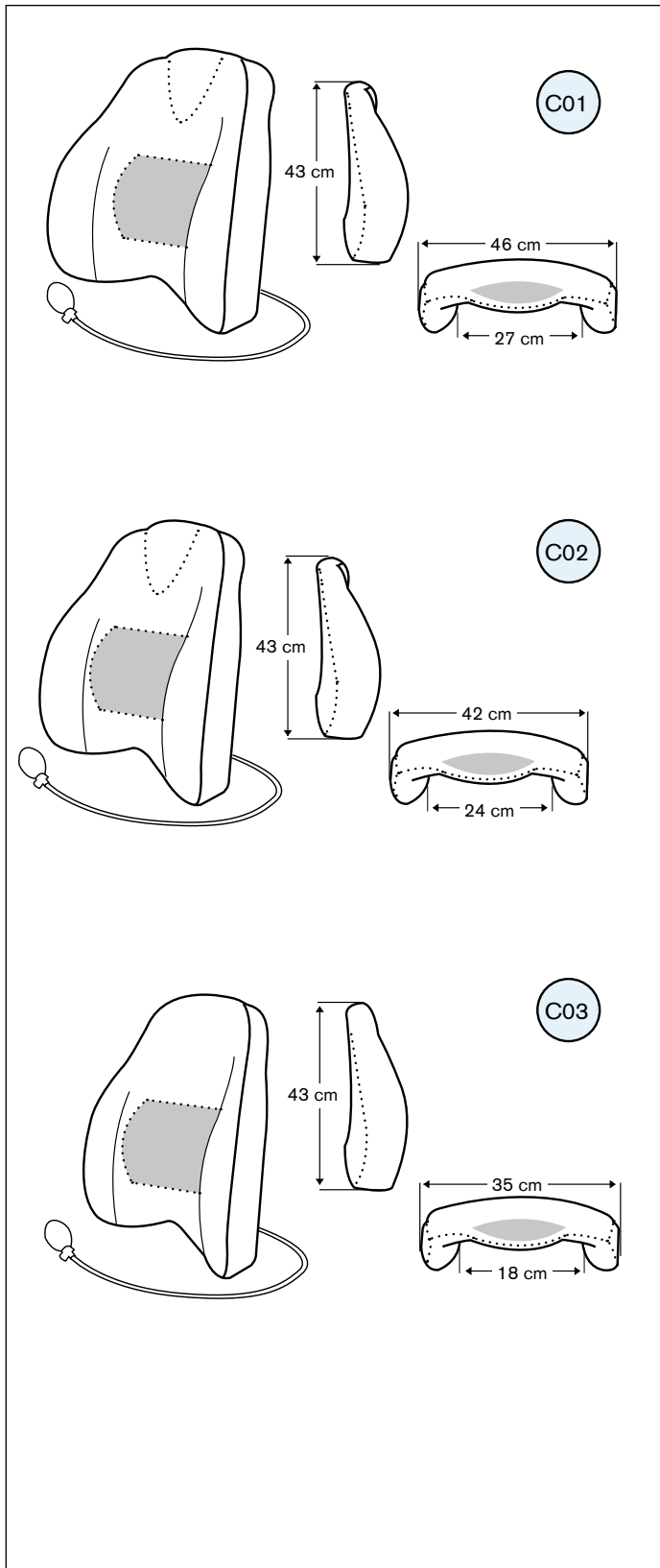


B01 803270 Skruvsats f montering av rygg och ryggfällning  
Screw kit for backrest assembly

# Stycklista - Ryggplatta

## Part list - Backrest

C Ryggar ErgoMedic PLUS Comfort med sidokil  
Backrest ErgoMedic PLUS Comfort with wedge



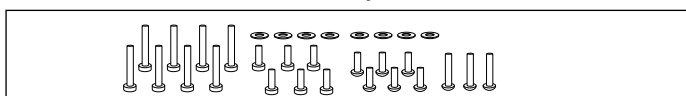
Pos Art.nr Benämning  
Pos Art.no Name

Pos	Art.nr	Benämning
C01 1	BR261046 255469	Rygg EM PLUS m Sidokil 46x43 Comfort Plysch Grå Backrest EM PLUS w Sidewedge 46x43 Comfort Grey Plush
2	BR361046 258469	Rygg EM PLUS med förstärkt Sidokil 46x43 cm Comfort Plysch Grå Backrest EM PLUS w reinforced wedge Comfort 46x43

C02 1	BR261546 255468	Rygg EM PLUS m Sidokil 42x43 Comfort Plysch Grå Backrest EM PLUS w Sidewedge 42x43 Comfort Grey Plush
2	BR361546 258468	Rygg EM PLUS med förstärkt Sidokil 42x43 cm Comfort Plysch Grå Backrest EM PLUS w reinforced wedge Comfort 42x43

C03 1	BR262046 255463	Rygg EM PLUS m Sidokil 35x43 Comfort Plysch Grå Backrest EM PLUS w Sidewedge 35x43 Comfort Grey Plush
2	BR362046 258463	Rygg EM PLUS med förstärkt Sidokil 35x43 cm Plysch Grå Backrest EM PLUS w reinforced wedge Comfort 35x43

D01 Skruv sats för montering av rygg och ryggfällning  
Screw kit for backrest assembly

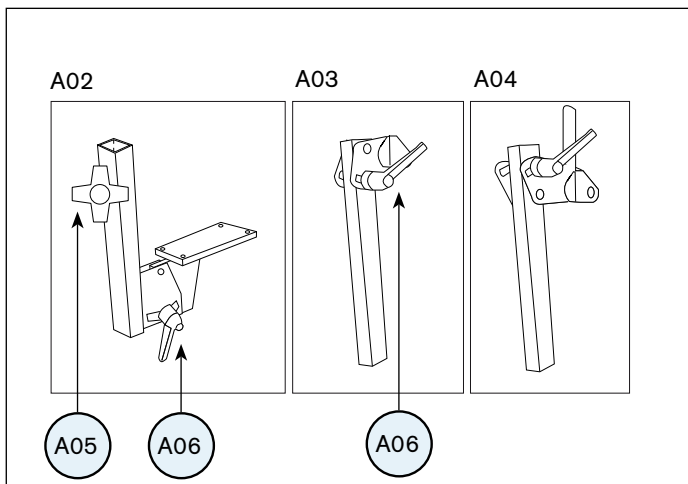


D01 803270 Skruvsats f montering av rygg och ryggfällning  
Screw kit for backrest assembly

# Stycklista - Ryggmekanism Standard, EL & Comfort

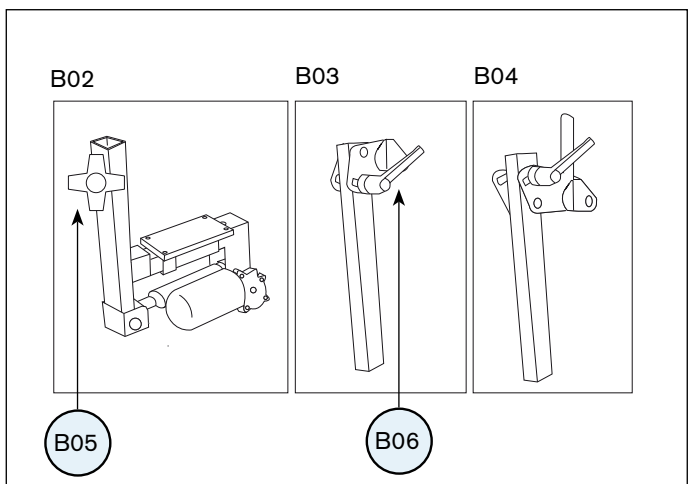
## Part list - Backrest mechanism

### A01 Standard ErgoMedic Standard ErgoMedic



Pos	Art.nr	Benämning
Pos	Art.no	Name
A01 1	801748	Ryggmekanism Standard ErgoMedic Låg rygg Backrest adjustment Standard ErgoMedic Low back
2	801747	Ryggmekanism Standard ErgoMedic Hög rygg Backrest adjustment Standard ErgoMedic High back
A02	800842	Ryggfällning Std. Cla/ErgoM Backrest mechanism Std.Cla/ErgoM
A03	801265	Ryggstolpe Standard. ErgoMedic Låg rygg Back pole Std Cla/ ErgoMedic Low back
A04	800841	Ryggstolpe Standard ErgoMedic Hög rygg Back pole Standard ErgoMedic High back
A05	803004	Stjärnratt Plus M8x20 (braga gummerad) Gummed knob M8x20 PLUS
A06	803006	Låsspak Plus M8 (inv gänga) (braga gummerad) Gummed handle M8 PLUS

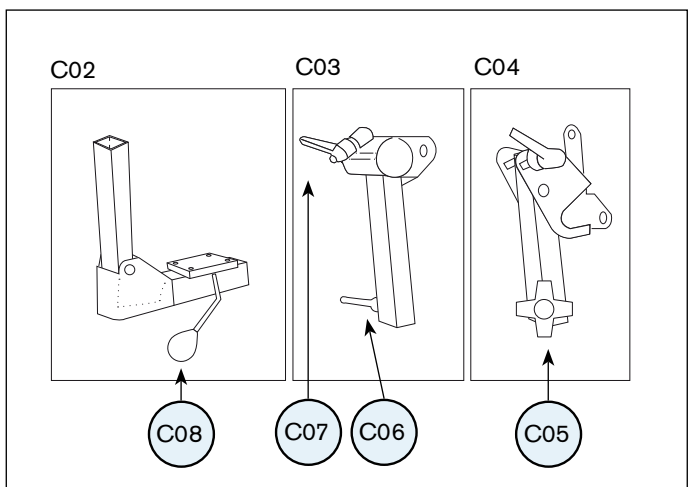
### B01 EL Electric



B01 1	801300	Ryggmekanism EL Låg rygg Electric backrest adjustment Low back
2	801817	Ryggmekanism EL Hög rygg Electric backrest adjustment High back
B02	802731	Eldonssats f ryggvinkel f reläkort Real 9000 Electric kit f. backrest angle
B03	801265	Ryggstolpe Std. ErgoM Låg rygg Back pole Std Cla/ Ergo Medic Low back
B04	800841	Ryggstolpe Std. ErgoM Hög rygg Back pole Std. Ergo Medic High back
B05	803004	Stjärnratt Plus M8x20 (braga gummerad) Gummed knob M8x20 PLUS
B06	803006	Låsspak Plus M8 (inv gänga) (braga gummerad) Gummed handle M8 PLUS

Se sid 36 för reglage

### C01 Comfort Comfort



C01 1	801743	Ryggmekanism Comfort ErgoM Grund Låg rygg Back adjustment Comfort ErgoM Shallow Low back
2	801742	Ryggmekanism Comfort ErgoM Grund Hög rygg Back adjustment Comfort ErgoM Shallow High back
C02	801770	Ryggfällning Comfort ErgoM Gru 350 N Grunt siddj Backrestmechanism Comfort ErgoM350N shallowed seatdeep
C03	801088	Ryggstolpe Medic/Comfort ErgoM Låg rygg Back pole Medic/Comfort ErgoM Low back
C04	801737	Ryggstolpe Medic/Comfort ErgoM Hög rygg Back pole Medic/Comfort ErgoM High back
C05	803004	Stjärnratt Plus M8x20 (braga gummerad) Plastic knob Plus M8x20
C06	803012	Låsspak Plus M6x10 (braga gummerad) Gummed handle M6x10 PLUS
C07	803013	Låsspak Plus M6x20 (braga gummerad) Gummed handle M6x20 PLUS
C08	803011	Spak till Comfortryggmekanism Plus Lever for backrest mechanism Comfort PLUS

### D01 Skruv sats för montering av rygg och ryggfällning Screw kit for backrest assembly



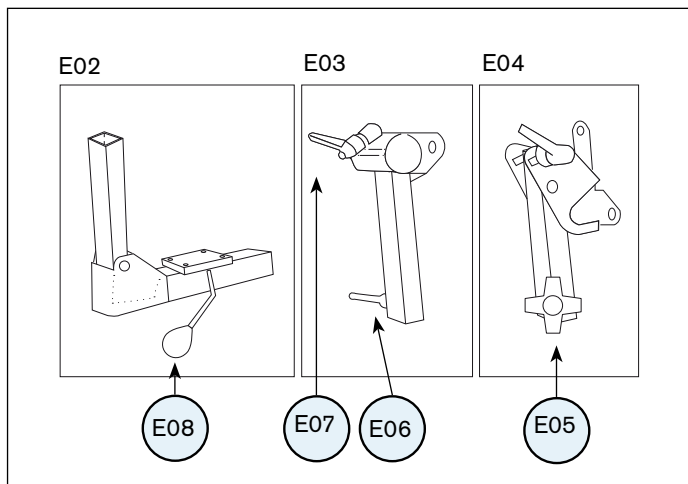
D01	803270	Skrivsats för montering av rygg och ryggfällning Screw kit for backrest assembly
-----	--------	-------------------------------------------------------------------------------------



# Stycklista - Ryggmekanism Comfort Coxit

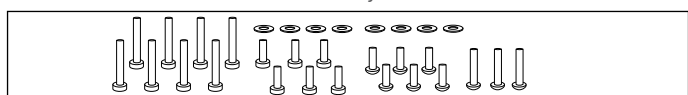
## Part list - Backrest mechanism

E01 Comfort Coxit  
Comfort Coxit



Pos	Art.nr	Benämning
Pos	Art.no	Name
E01 1	801745	Ryggmekanism Comfort ErgoMedic Djup Låg rygg <i>Backrest adjustment Comfort ErgoMedic Depth Low back</i>
2	801744	Ryggmekanism Comfort ErgoMedic Djup Hög rygg <i>Backrest adjustment Comfort ErgoMedic Depth High back</i>
E02	801770	Ryggfällning Comfort ErgoMedic Grund 350 N Grunt sittdjup <i>Backrest mechanism Comfort ErgoM350N shallowed seatdeep</i>
E03	801088	Ryggstolpe Medic/Comfort ErgoMedic Låg rygg <i>Back pole Medic/Comfort ErgoMedic Low back</i>
E04	801737	Ryggstolpe Medic/Comfort ErgoMedic Hög rygg <i>Back pole Medic/Comfort ErgoMedic High back</i>
E05	803004	Stjärnratt Plus M8x20 (braga gummerad) <i>Plastic knob Plus M8x20</i>
E06	803012	Låsspak Plus M6x10 (braga gummerad) <i>Gummed handle M6x10 PLUS</i>
E07	803013	Låsspak Plus M6x20 (braga gummerad) <i>Gummed handle M6x20 PLUS</i>
E08	803011	Spak till Comfortryggmekanism Plus <i>Lever for backrest mechanism Comfort PLUS</i>

F01 Skruv sats för montering av rygg och ryggfällning  
*Screw kit for backrest assembly*

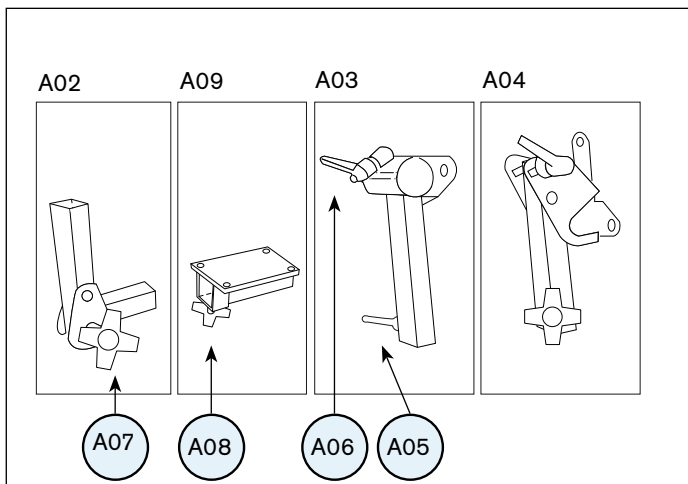


F01 803270 Skruvsats f montering av rygg och ryggfällning  
*Screw kit for backrest assembly*

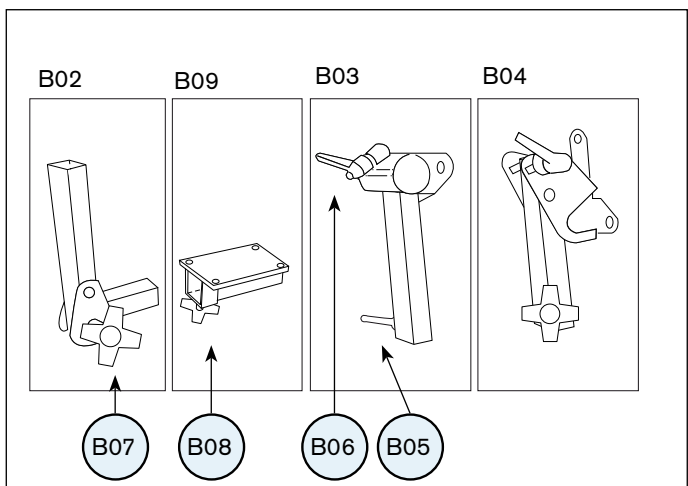
# Stycklista - Ryggmekanism Medic 112 Rygg

## Part list - Backrest mechanism

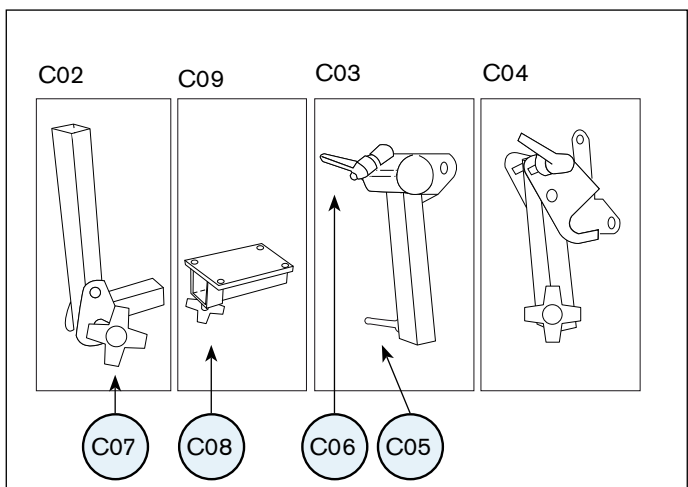
A01 200 x 112 mm (hxd)



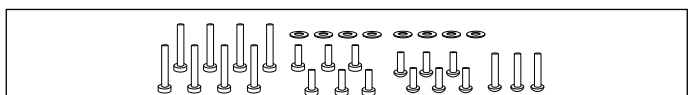
B01 240 x 112 mm (hxd)



C01 340 x 112 mm (hxd)



D01 Skruv sats för montering av rygg och ryggfällning  
Screw kit for backrest assembly

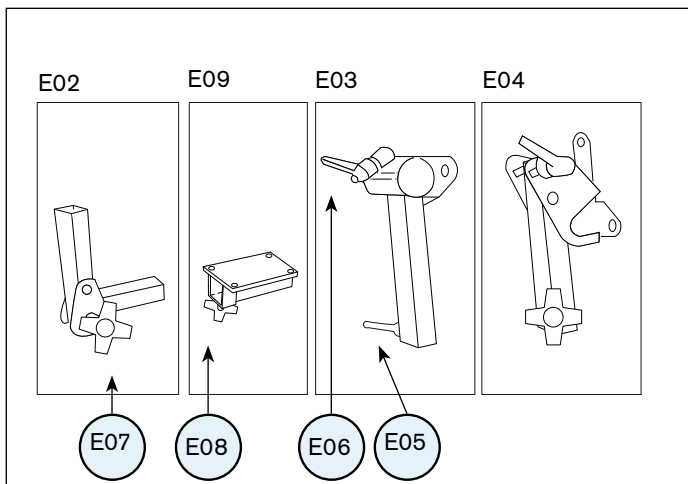


Pos	Art.nr	Benämning
Pos	Art.no	Name
A01 1	801930	Ryggmekanism Medic ErgoMedic S 112 Låg rygg Backrest adjustment Medic ErgoMedic S Low back 112 mm
2	801932	Ryggmekanism Medic ErgoMedic S 112 Hög rygg Backrest adjustment Medic ErgoMedic S High back 112 mm
A02	801923	Ryggfällning Medic 112mm S Cla/ErgoM 200mm Backrest mechanism Medic 112 mm S Cla/ErgoM 200 mm
A03	801928	Ryggstolpe Medic ErgoM S Låg rygg Back pole ErgoM S
A04	801737	Ryggstolpe Medic/Comfort ErgoMedic Hög rygg Back pole Medic/Comfort ErgoMedic High back
A05	803012	Låsspak PLUS M6x10 (braga gummerad) Gummed handle M6x10 PLUS
A06	803013	Låsspak PLUS M6x20 (braga gummerad) Gummed handle M6x20 PLUS
A07	803007	Stjärnratt PLUS M8x1 special (braga gummerad) Gummed knob M8x1
A08	803004	Stjärnratt PLUS M8x20 (braga gummerad) Gummed knob M8x20 PLUS
A09	800837	Ryggfällning fäste Medic Cla/ErgoM Backrestmechanism Medic hold
B01 1	801739	Ryggmekanism Medic ErgoMedic L 112 Låg rygg Backrest adjustment Medic ErgoMedic L Low back 112 mm
2	801741	Ryggmekanism Medic ErgoMedic L 112 Hög rygg Backrest adjustment Medic ErgoMedic L High back 112 mm
B02	801083	Ryggfällning Medic 112mm L Cla/ErgoM 240mm Backrest mechanism Medic 112 mm L Cla/ErgoM 240 mm
B03	801088	Ryggstolpe Medic/Comfort ErgoMedic Låg rygg Back pole Medic/Comfort ErgoMedic Low back
B04	801737	Ryggstolpe Medic/Comfort ErgoMedic Hög rygg Back pole Medic/Comfort ErgoMedic High back
B05	803012	Låsspak PLUS M6x10 (braga gummerad) Gummed handle M6x10 PLUS
B06	803013	Låsspak PLUS M6x20 (braga gummerad) Gummed handle M6x20 PLUS
B07	803007	Stjärnratt PLUS M8x1 special (braga gummerad) Gummed knob M8x1
B08	803004	Stjärnratt PLUS M8x20 (braga gummerad) Gummed knob M8x20 PLUS
B09	800837	Ryggfällning fäste Medic Cla/ErgoM Backrestmechanism Medic hold
C01 1	801934	Ryggmekanism Medic ErgoMedic XL 112 Låg rygg Backrest adjustment Medic ErgoMedic XL Low back 112 mm
2	801936	Ryggmekanism Medic ErgoMedic XL 112 Hög rygg Backrest adjustment Medic ErgoMedic XL High back 112 mm
C02	801085	Ryggfällning Medic 112mm XL Cla/ErgoM 340mm Backrest mechanism Medic 112 mm XL Cla/ErgoM 340 mm
C03	801088	Ryggstolpe Medic/Comfort ErgoMedic Låg rygg Back pole Medic/Comfort ErgoMedic Low back
C04	801737	Ryggstolpe Medic/Comfort ErgoMedic Hög rygg Back pole Medic/Comfort ErgoMedic High back
C05	803012	Låsspak PLUS M6x10 (braga gummerad) Gummed handle M6x10 PLUS
C06	803013	Låsspak PLUS M6x20 (braga gummerad) Gummed handle M6x20 PLUS
C07	803007	Stjärnratt PLUS M8x1 special (braga gummerad) Gummed knob M8x1
C08	803004	Stjärnratt PLUS M8x20 (braga gummerad) Gummed knob M8x20 PLUS
C09	800837	Ryggfällning fäste Medic Cla/ErgoM Backrestmechanism Medic hold
D01	803270	Skruvsats f montering av rygg och ryggfällning Screw kit for backrest assembly

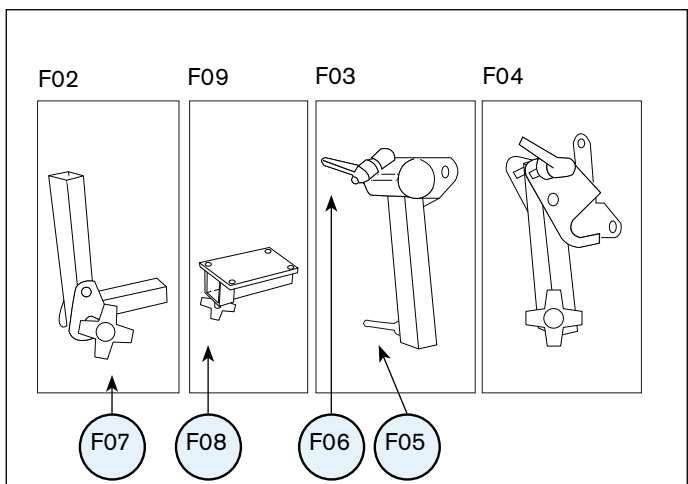
# Stycklista - Ryggmekanism Medic 155 Rygg

## Part list - Backrest mechanism

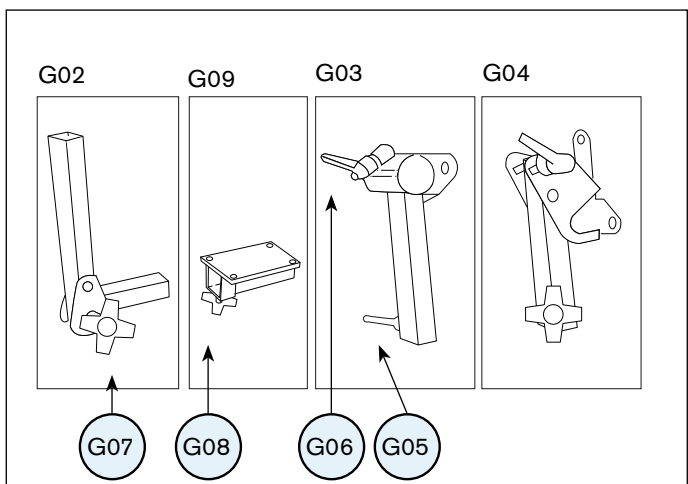
E01 200 x 155 mm (hxd)



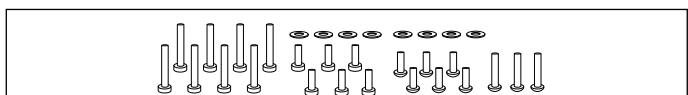
F01 240 x 155 mm (hxd)



G01 340 x 155 mm (hxd)



H01 Skruv sats för montering av rygg och ryggfällning  
Screw kit for backrest assembly

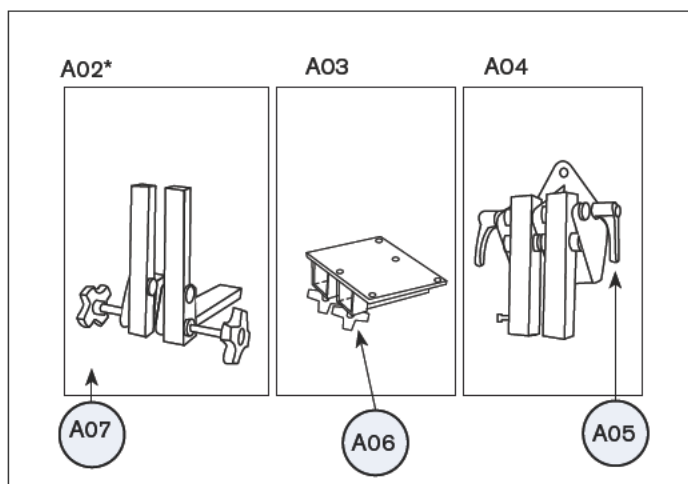


Pos	Art.nr	Benämning
Pos	Art.no	Name
E01	1	<a href="#">801929</a> Ryggmekanism Medic ErgoMedic S 155 Låg rygg Backrest adjustment Medic ErgoM S Low back 155 mm
	2	<a href="#">801931</a> Ryggmekanism Medic ErgoMedic S 155 Hög rygg Backrest adjustment Medic ErgoM S High back 155 mm
E02		<a href="#">801922</a> Ryggfällning Medic 155mm S Cla/ErgoM 200mm Backrest mechanism Medic 155 mm S Cla/ErgoM 200 mm
E03		<a href="#">801928</a> Ryggstolpe Medic ErgoM S Låg rygg Back pole ErgoM S
E03		<a href="#">801737</a> Ryggstolpe Medic/Comfort ErgoMedic Hög rygg Back pole Medic/Comfort ErgoM High back
E05		<a href="#">803012</a> Låsspak PLUS M6x10 (braga gummerad) Gummed handle M6x10 PLUS
E06		<a href="#">803013</a> Låsspak PLUS M6x20 (braga gummerad) Gummed handle M6x20 PLUS
E07		<a href="#">803007</a> Stjärnratt PLUS M8x1 special (braga gummerad) Gummed knob M8x1
E08		<a href="#">803004</a> Stjärnratt PLUS M8x20 (braga gummerad) Gummed knob M8x20 PLUS
E09		<a href="#">800837</a> Ryggfällning fäste Medic Cla/ErgoM Backrestmechanism Medic hold
F01	1	<a href="#">801738</a> Ryggmekanism Medic ErgoMedic L 155 Låg rygg Backrest adjustment Medic ErgoMedic L Low back 155 mm
	2	<a href="#">801740</a> Ryggmekanism Medic ErgoMedic L 155 Hög rygg Backrest adjustment Medic ErgoMedic L High back 155 mm
F02		<a href="#">801082</a> Ryggfällning Medic 155mm L Cla/ErgoM 240mm Backrest mechanism Medic 155 mm L Cla/ErgoM 240 mm
F03		<a href="#">801088</a> Ryggstolpe Medic/Comfort ErgoMedic Låg rygg Back pole Medic/Comfort ErgoMedic L Low back
F04		<a href="#">801737</a> Ryggstolpe Medic/Comfort ErgoMedic Hög rygg Back pole Medic/Comfort ErgoM High back
F05		<a href="#">803012</a> Låsspak PLUS M6x10 (braga gummerad) Gummed handle M6x10 PLUS
F06		<a href="#">803013</a> Låsspak PLUS M6x20 (braga gummerad) Gummed handle M6x20 PLUS
F07		<a href="#">803007</a> Stjärnratt PLUS M8x1 special (braga gummerad) Gummed knob M8x1
F08		<a href="#">803004</a> Stjärnratt PLUS M8x20 (braga gummerad) Gummed knob M8x20 PLUS
F09		<a href="#">800837</a> Ryggfällning fäste Medic Cla/ErgoM Backrestmechanism Medic hold
G01	1	<a href="#">801933</a> Ryggmekanism Medic ErgoM XL 155 Låg rygg Backrest adjustment Medic ErgoM XL Low back 155 mm
	2	<a href="#">801935</a> Ryggmekanism Medic ErgoM XL 155 Hög rygg Backrest adjustment Medic ErgoM XL High back 155 mm
G02		<a href="#">801084</a> Ryggfällning Medic 155mm XL Cla/ErgoM 340mm Backrest mechanism Medic 155 mm XL Cla/ErgoM 340 mm
G03		<a href="#">801088</a> Ryggstolpe Medic/Comfort ErgoM Låg rygg Back pole Medic/Comfort ErgoML Low back
G04		<a href="#">801737</a> Ryggstolpe Medic/Comfort ErgoM Hög rygg Back pole Medic/Comfort ErgoM High back
G05		<a href="#">803012</a> Låsspak PLUS M6x10 (braga gummerad) Gummed handle M6x10 PLUS
G06		<a href="#">803013</a> Låsspak PLUS M6x20 (braga gummerad) Gummed handle M6x20 PLUS
G07		<a href="#">803007</a> Stjärnratt PLUS M8x1 special (braga gummerad) Gummed knob M8x1
G08		<a href="#">803004</a> Stjärnratt PLUS M8x20 (braga gummerad) Gummed knob M8x20 PLUS
G09		<a href="#">800837</a> Ryggfällning fäste Medic Cla/ErgoM Backrestmechanism Medic hold
H01		<a href="#">803270</a> Skruvsats f montering av rygg och ryggfällning Screw kit for backrest assembly

# Stycklista - Ryggmekanism Dubbel Medic

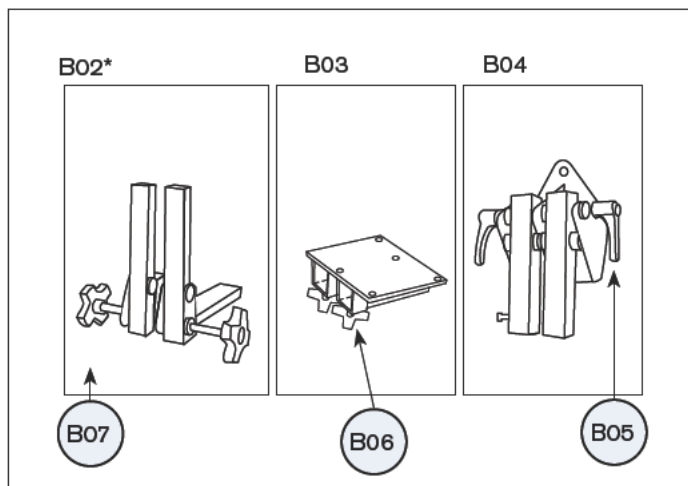
## Part list - Backrest mechanism Double Medic

A01 240 x 155 mm (hxd)



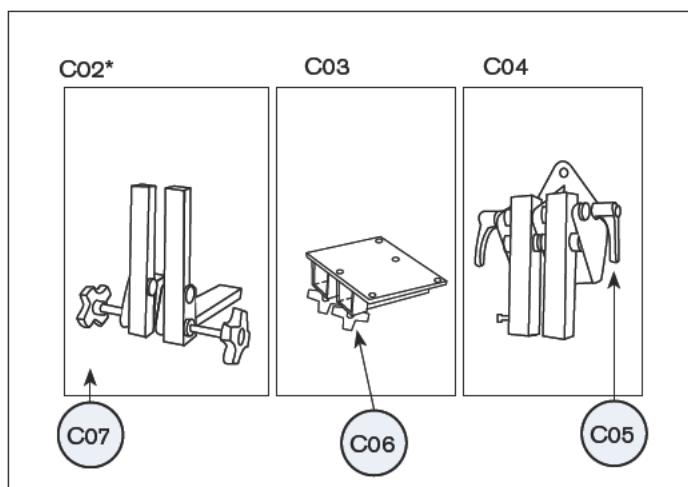
\* 2 st 801084 behövs för dubbel medic ryggmekanism

B01 340 x 155 mm (hxd)



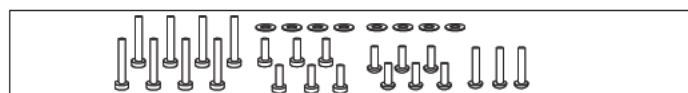
\* 2 st 801084 behövs för dubbel medic ryggmekanism

C01 340 x 300 mm (hxd)



\* 2 st 801084 behövs för dubbel medic ryggmekanism

D01 Skruv sats för montering av rygg och ryggfällning  
Screw kit for backrest assembly



Pos	Art.nr	Benämning
Pos	Art.no	Name
A01	803585	Ryggmekanism Dubbel Medic L DJ 155 Hj 240 Hög rygg Backrest adjustment Double Medic 240 mm high back
A02	801082	Ryggfällning Medic 155mm L Cla/ErgoM (Övrerör 240mm) Backrestmeca. Medic 155 mm L
A03	802859	Ryggfällning fäste Medic Dubbel ryggfällning Backrestmecanism Double Medic hold
A04	802860	Ryggstolpe Medic Dubbel ryggfälln plats f nackstöd Back pole Double Medic
A05	803006	Låsspak PLUS M8 (braga gummerad) Gummed handle M8 PLUS
A06	803004	Stjärnratt PLUS M8x20 (braga gummerad) Gummed knob M8x20 PLUS
A07	803007	Stjärnratt PLUS M8x1 special (braga gummerad) Gummed knob M8x1

B01	803586	Ryggmekanism Dubbel Medic XL DJ 155 Hj 340 Hög rygg Backrest adjustment Double Medic 340 mm high back
B02	801084	Ryggfällning Medic 155mm XL Cla/ErgoM (Övrerör 340mm) Backrestmeca. Medic 155 mm XL
B03	802859	Ryggfällning fäste Medic Dubbel ryggfällning Backrestmecanism Double Medic hold
B04	802860	Ryggstolpe Medic Dubbel ryggfälln plats f nackstöd Back pole Double Medic
B05	803006	Låsspak PLUS M8 (braga gummerad) Gummed handle M8 PLUS
B06	803004	Stjärnratt PLUS M8x20 (braga gummerad) Gummed knob M8x20 PLUS
B07	803007	Stjärnratt PLUS M8x1 special (braga gummerad) Gummed knob M8x1

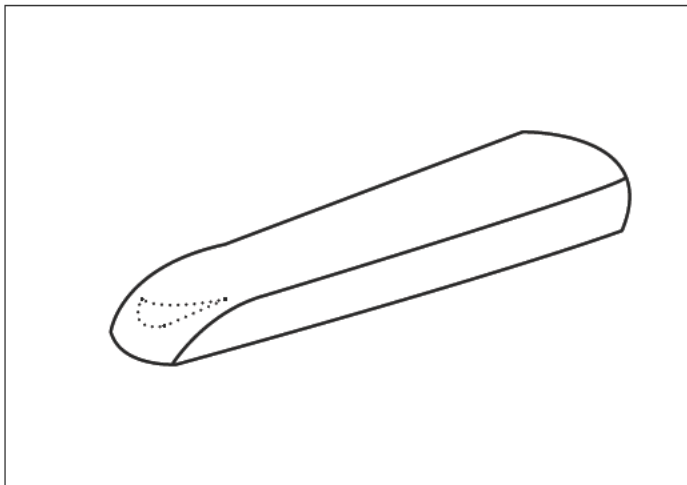
C01	803868	Ryggmekanism Dubbel Medic XL DJ 300 Hj 340 Hög rygg Backrest adj. Double Medic d 300mm h 340mm high back
C02	803867	Ryggfällning Medic 300mm XL Cla/ErgoM (Övrerör 340mm) Backrestmeca. Medic 300 mm XL
C03	802859	Ryggfällning fäste Medic Dubbel ryggfällning Backrestmecanism Double Medic hold
C04	802860	Ryggstolpe Medic Dubbel ryggfälln plats f nackstöd Back pole Double Medic
C05	803006	Låsspak PLUS M8 (braga gummerad) Gummed handle M8 PLUS
C06	803004	Stjärnratt PLUS M8x20 (braga gummerad) Gummed knob M8x20 PLUS
C07	803007	Stjärnratt PLUS M8x1 special (braga gummerad) Gummed knob M8x1

D01	803270	Skruvsats f montering av rygg och ryggfällning Screw kit for backrest assembly
-----	--------	-----------------------------------------------------------------------------------

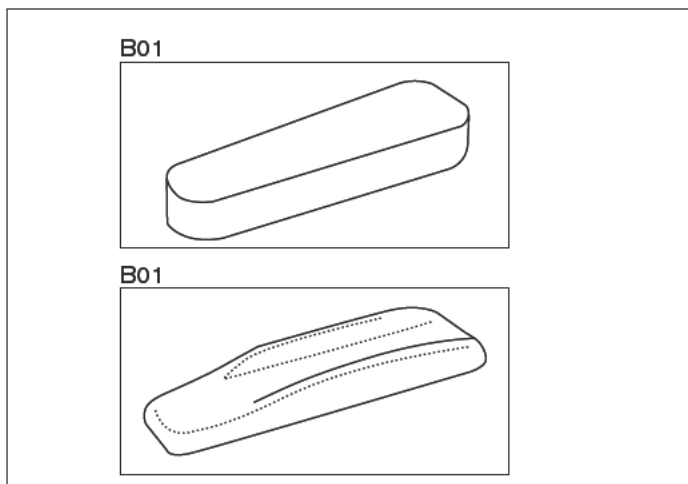
# Stycklista - Armstöd

## Part list - Armrests

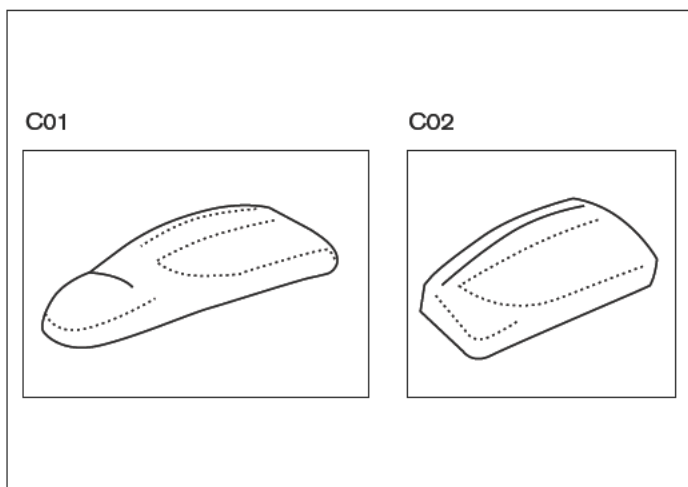
A01 ErgoMedic för armstödsmekanism PLUS  
ErgoMedic for armrest mechanism PLUS



B Mobil för mekanism fällbar & Hemiplegi  
Mobil for foldable armrest mechanism & Hemiplegi



C ErgoMedic PLUS för mekanism PLUS & mekanism fällbar  
ErgoMedic PLUS for PLUS and foldable armrest mechanism



D01 Skruv sats för montering av armstöd  
Screw kit for armrest assembly

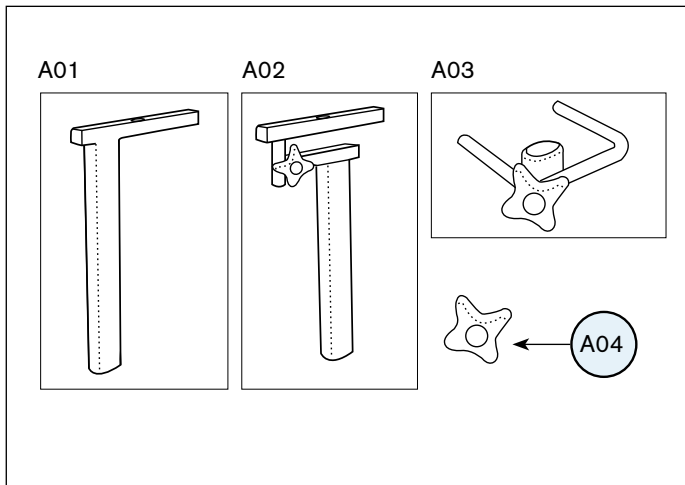


Pos	Art.nr	Benämning
Pos	Art.no	Name
A01 1	AR103038 240380	Armstöd platta ErgoMedic 35 cm Konstläder Svart Armrest Classic 35 cm Skai Black
2	AR102038 240381	Armstöd platta ErgoMedic 30 cm Konstläder Svart Armrest Classic 30 cm Skai Black
3	AR101038 240382	Armstöd platta ErgoMedic 25 cm Konstläder Svart Armrest Classic 25 cm Skai Black
4	AR104038 240383	Armstöd platta ErgoMedic 40 cm Konstläder Svart Armrest Classic 40 cm Skai Black
5	AR153038 246380	Armstöd platta EM f mob. 35 cm Konstläder Svart Armrest EM Mobile 35 cm Skai Black
6	AR152038 246381	Armstöd platta EM f mob. 30 cm Konstläder Svart Armrest EM Mobile 30 cm Skai Black
7	AR151038 246382	Armstöd platta EM f mob. 25 cm Konstläder Svart Armrest EM Mobile 25 cm Skai Black
8	AR112038 242381	Armstöd platta Mini 30 cm Konstläder Svart Armrest Mini 30 cm Skai Black
9	AR111038 242382	Armstöd platta Mini 25 cm Konstläder Svart Armrest Mini 25 cm Skai Black
B01 1	AR303038 245380	Armstöd platta Mobil 35 cm Konstläder Svart Armrest Mobile 35 cm Skai Black
2	AR302038 245381	Armstöd platta Mobil 30 cm Konstläder Svart Armrest Mobile 30 cm Skai Black
3	AR301038 245382	Armstöd platta Mobil 25 cm Konstläder Svart Armrest Mobile 25 cm Skai Black
4	AR304038 245383	Armstöd platta Mobil 40 cm Konstläder Svart Armrest Mobile 40 cm Skai Black
5	AR313038 248380	Armstöd platta Mobil 35 cm Konstläder Svart 9000 Borråd Armrest Mobile 35 cm Skai Black Drilled
6	AR312038 248381	Armstöd platta Mobil 30 cm Konstläder Svart 9000 Borråd Armrest Mobile 30 cm Skai Black Drilled
7	AR311038 248382	Armstöd platta Mobil 25 cm Konstläder Svart 9000 Borråd Armrest Mobile 25 cm Skai Black Drilled
B02	AR406038 244382	Armstöd platta Hemiplegi 45x12 cm Konstläder Svart Armrest Hemiplegi 45x12 cm Skai Black
C01 1	AR205138 243380	Armstöd platta ErgoM PLUS Hö 42 cm Konstläder Svart Armrest ErgoMedic PLUS Right 42 cm Skai Black
2	AR205238 243385	Armstöd platta ErgoM PLUS Vå 42 cm Konstläder Svart Armrest ErgoMedic PLUS Left 42 cm Skai Black
C02 1	AR202138 243381	Armstöd platta ErgoM PLUS Hö 30 cm Konstläder Svart Armrest ErgoMedic PLUS Right 30 cm Skai Black
2	AR202238 243386	Armstöd platta ErgoM PLUS Vå 30 cm Konstläder Svart Armrest ErgoMedic PLUS Left 30 cm Skai Black
D01	803271	Skrivsats f montering armstöd Screw kit for armrest assembly

# Stycklista - Armstödsmechanismer

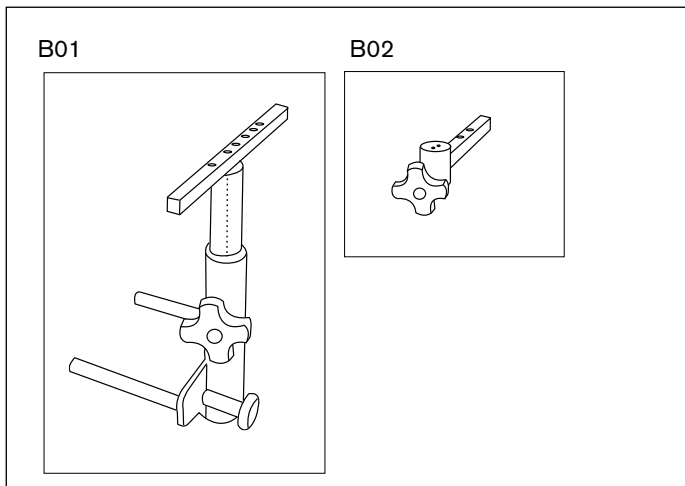
## Part list - Armrest mechanisms

### A Armstödsmekanism PLUS Armrest mechanism PLUS



Pos	Art.nr	Benämning
Pos	Art.no	Name
A01 1	802700	Armstöd PLUS Höger Höjd 32 <i>Armrest PLUS right, Height 32</i>
2	802702	Armstöd PLUS Vänster Höjd 32 <i>Armrest PLUS left, Height 32</i>
3	802701	Armstöd PLUS Höger Höjd 38 <i>Armrest PLUS right, Height 38</i>
4	802703	Armstöd PLUS Vänster Höjd 38 <i>Armrest PLUS left, Height 38</i>
5	802773	Armstöd Plus Mini Höger <i>Armrest PLUS Mini right</i>
6	802774	Armstöd Plus Mini Vänster <i>Armrest PLUS Mini left</i>
A02 1	802992	Armstöd Hemiplegi Höjd 32 PLUS armstöd Höger <i>Hemiplegic armrest Height 32 PLUS armrest right</i>
2	802993	Armstöd Hemiplegi Höjd 32 PLUS armstöd Vänster <i>Hemiplegic armrest Height 32 PLUS armrest left</i>
A03 1	802698	Armstöd Breddbåge PLUS Höger 9000/6100 <i>U-bar for width adjustment PLUS Right</i>
2	802699	Armstöd Breddbåge PLUS Vänster 9000/6100 <i>U-bar for width adjustment PLUS Left</i>
3	802771	Armstöd Breddbåge Plus Mini Höger <i>U-bar for width adjustment PLUS Mini Right</i>
4	802772	Armstöd Breddbåge Plus Mini Vänster <i>U-bar for width adjustment PLUS Mini Left</i>
A04	803004	Stjärnratt Plus M8x20 (Braga gummerad) <i>Gummed knob M8x20 PLUS</i>

### B Armstödsmekanism fällbar Foldable armrest mechanism

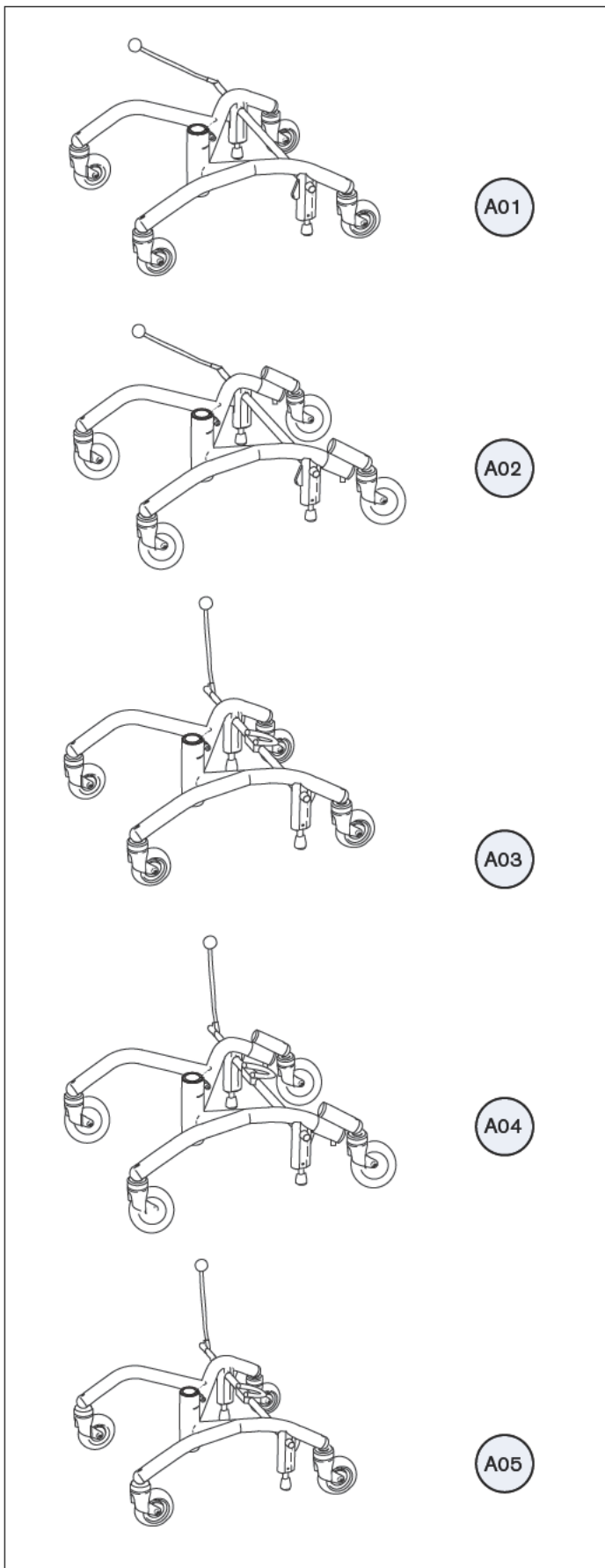


B01 1	600126	Armstöd mekanism 6100 kpl. Höger B >40 (Vuxen) <i>Armrest mechanism 6100 right Compl. &gt;40</i>
2	600125	Armstöd mekanism 6100 kpl. Vänster B >40 (Vuxen) <i>Armrest mechanism 6100 left Compl. &gt;40</i>
3	600170	Armstöd mekanism 6100 kpl. Vs Höger Br>40 (Vuxen) <i>Armrest mechanism 6100 right Compl. angle adjustable &gt;40</i>
4	600169	Armstöd mekanism 6100 kpl. Vs Vänster Br>40 (Vuxen) <i>Armrest mechanism 6100 left Compl. angle adjustable &gt;40</i>
B02 1	802991	Hemiplegi mekanism för fällbara armstöd Hö+Vä <i>Hemiplegic mechanism for foldable armrest Right+Left</i>
2	802989	Hemiplegi mekanism för fällbara armstöd Höger <i>Hemiplegic mechanism for foldable armrest Right</i>
3	802990	Hemiplegi mekanism för fällbara armstöd Vänster <i>Hemiplegic mechanism for foldable armrest Left</i>

# Stycklista - Stativ REAL 9000 PLUS

## Part list - Base REAL 9000 PLUS

A



A01

A02

A03

A04

A05

Pos	Art.nr	Benämning
Pos	Art.no	Name

A01	1	<a href="#">802659</a> Stativ 9000 PLUS 48 100 XL Svart <i>Base 9000 PLUS 48 100 XL Black</i>
	2	<a href="#">802660</a> Stativ 9000 PLUS 48 100 SL Svart <i>Base 9000 PLUS 48 100 SL Black</i>
	3	<a href="#">803500</a> Stativ 9000 PLUS 48 100 BXL Svart <i>Base 9000 PLUS 48 100 BXL Black</i>

A02	1	<a href="#">803292</a> Stativ 9000 PLUS 48 125 XL m Stativförlängare bak <i>Base 9000 PLUS 48 125 XL base extensions back</i>
	2	<a href="#">803293</a> Stativ 9000 PLUS 48 150 XL m Stativförlängare bak <i>Base 9000 PLUS 48 150 XL base extensions back</i>

A03	1	<a href="#">803090</a> Stativ 9000 PLUS 48 klinik Omvänd broms 100 XL Svart <i>Base 9000 PLUS reversed brake 48 100 XL Black</i>
	2	<a href="#">803290</a> Stativ 9000 PLUS 48 klinik Omvänd broms 100 SL Svart <i>Base 9000 PLUS reversed brake 48 100 SL Black</i>
	3	<a href="#">803501</a> Stativ 9000 PLUS 48 klinik Omvänd broms 100 BXL Svart <i>Base 9000 PLUS reversed brake 48 100 BXL Black</i>

A04	1	<a href="#">803294</a> Stativ 9000 PLUS Klinik 48 125 XL m Stativförlängare bak <i>Base 9000 PLUS Clinic 48 125 XL base extensions back</i>
	2	<a href="#">803295</a> Stativ 9000 PLUS Klinik 48 150 XL m Stativförlängare bak <i>Base 9000 PLUS Clinic 48 150 XL base extensions back</i>

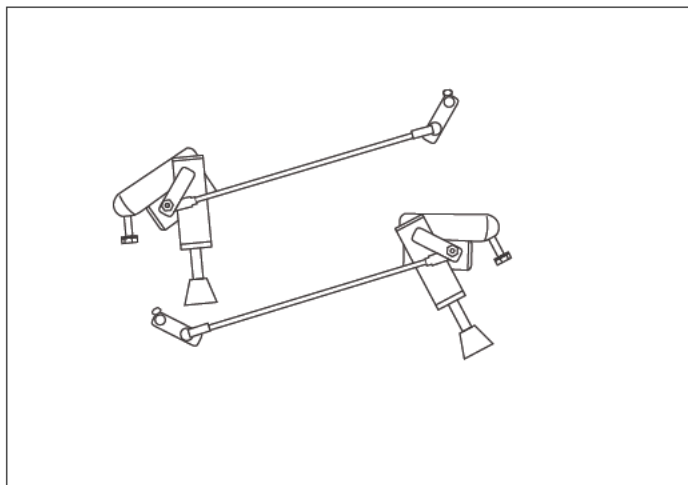
A05	1	<a href="#">802657</a> Stativ 9000 PLUS 43 100 XL <i>Base 9000 PLUS 43 100 XL</i>
	2	<a href="#">802658</a> Stativ 9000 PLUS 43 100 SL <i>Base 9000 PLUS 43 100 SL</i>
	3	<a href="#">803299</a> Stativ 9000 PLUS 43 100 BXL <i>Base 9000 PLUS 43 100 BXL</i>

	4	<a href="#">803085</a> Stativ 9000 PLUS 43 mini 100 XL Svart <i>Base 9000 PLUS 43 mini 100 XL Black</i>
	5	<a href="#">803086</a> Stativ 9000 PLUS 43 mini 100 SL Svart <i>Base 9000 PLUS 43 mini 100 SL Black</i>
	6	<a href="#">803087</a> Stativ 9000 Plus 43 mini 100 BXL Svart <i>Base 9000 PLUS 43 mini 100 BXL Black</i>

# Stycklista - Stativ och bromsar

## Part list - Base and brakes

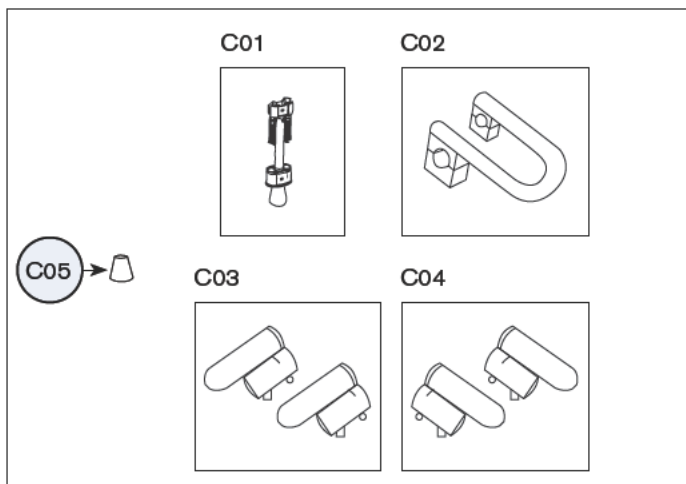
### B Fyrpunktsbroms Fourpoint brake



**Pos**   **Art.nr**   **Benämning**  
*Pos*   *Art.no*   *Name*

B01 1 803503 Fyrbroms kit till PLUS-stativ 43/48 inkl stativförlängare fram  
*Fourpoint brake for PLUS frame 48 incl. base extensions in front*

### C Bromsar och stativförlängare Brakes and base extenders



C01 1 802810 Bromsben 9000 f PLUS-stativ f 100mm hjul  
*Brake leg for PLUS base for castors 100 mm*

2 803504 Bromsben 9000 f PLUS-stativ f 125mm Hjul kpl m alla fästdet.  
*Brake leg for PLUS base for castors 125 mm*

3 803505 Bromsben 9000 f PLUS-stativ f 150mm Hjul kpl m alla fästdet.  
*Brake leg for PLUS base for castors 150 mm*

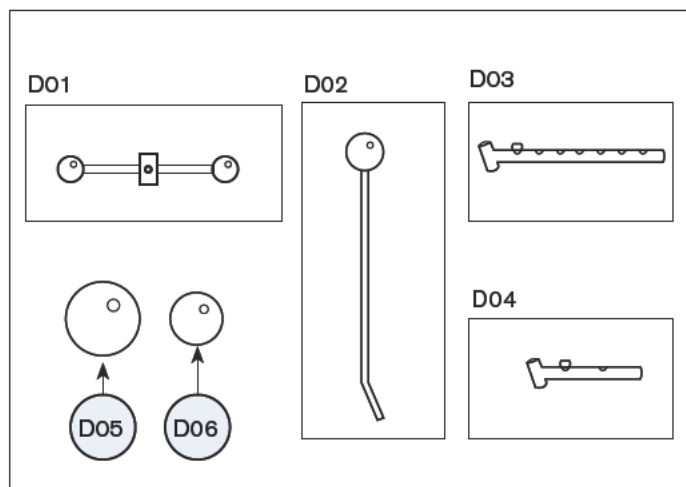
C02 802865 Bromspedal för PLUS-stativ 20mm bromsaxeldiameter  
*Brake pedal for PLUS base*

C03 802936 Stativförlängare fram f PLUS-stativ M12  
*Base extensions front*

C04 802871 Stativförlängare bak f PLUS-stativ M12  
*Base extensions back*

C05 801264 Bromsfot Diam 32 mm  
*Brake rubber 32 mm*

### D Broms Brake



D01 1 800785 Reumatikerkruss till Handbromsspak  
*Rheumatic cross for hand brake lever*

D02 1 800881 Handbromsspak 25 cm f PLUS-stativ  
*Brake lever 25 cm for PLUS-base*

2 802866 Handbromsspak 35 cm Vinklad f PLUS-stativ  
*Brake lever 35 cm, angled for PLUS-base*

3 802868 Handbromsspak 45 cm Vinklad f PLUS-stativ  
*Brake lever 45 cm, angled for PLUS-base*

4 800885 Handbromsspak 55 cm vinklad f PLUS-stativ  
*Brake lever 55 cm, angled for PLUS-base*

D03 802800 Bromsspaksfäste f PLUS-stativ justerbart (7 lägen)  
*Bracket for brake lever, 7 positions*

D04 802799 Bromsspaksfäste f PLUS-stativ justerbart (2 lägen)  
*Bracket for brake lever, 2 positions*

D05 801625 Kula handbromsspak diam 50mm  
*Large ball grip 50 mm for brake lever*

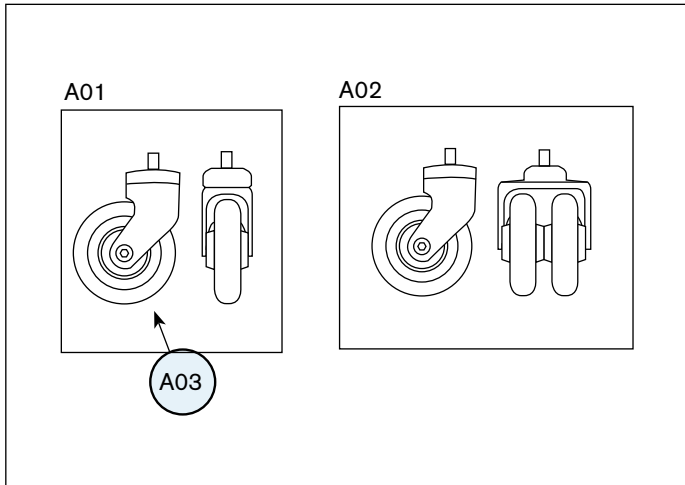
D06 801014 Kula Handbromsspak Diam 35mm  
*Large ball grip 35 mm for brake lever*



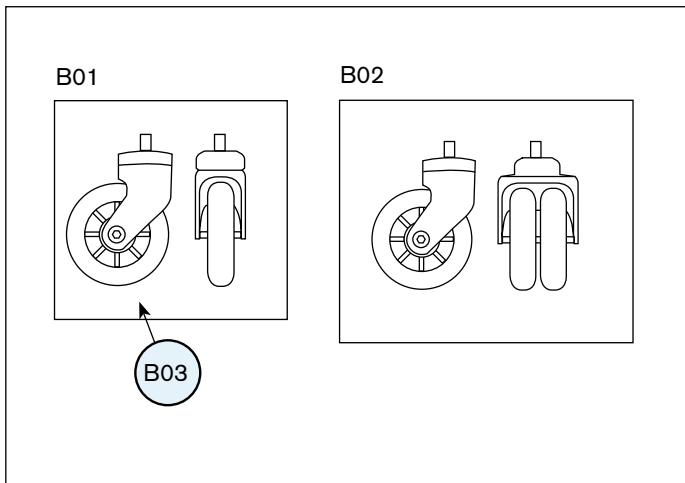
# Stycklista - Hjul

## Part list - Castors

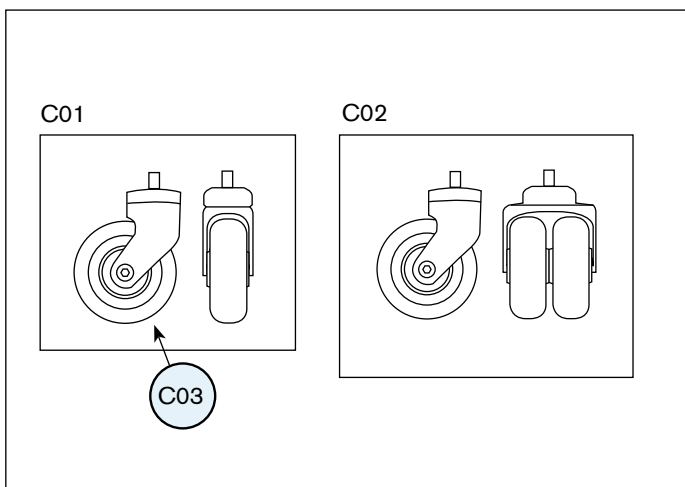
### A XL Hjul - Allround XL castor -Allround



### B SL Hjul - För hårda golv SL castor -Hard surfaces



### C BXL Hjul - För mjuka golv BXL castor -Soft surfaces

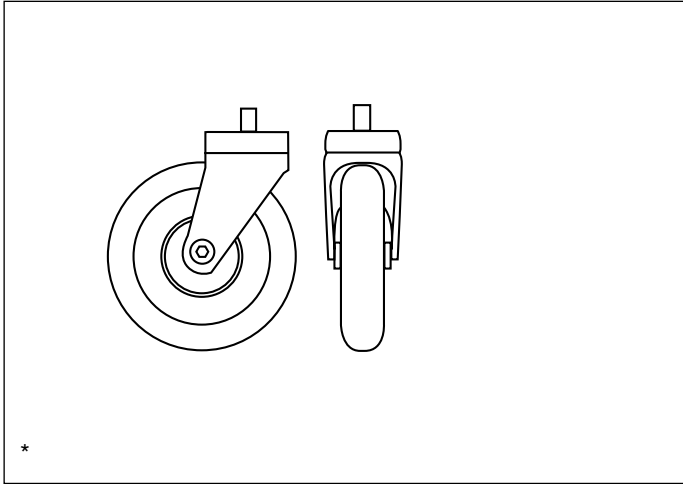


Pos	Art.nr	Benämning
Pos	Art.no	Name
A01	1 801213	Länkhjul 100 XL M12 Castor 100mm XL M12
	2 800903	Länkhjul 100 XL tröga M12 Castors 100mm XL stagnant M12
A02	802942	Länkhjul Dubbelt 100 XL M12 Castor double 100mm XL M12
A03	801360	Hjul 100 XL m kullager utan bygel Castors without fork 100 mm XL with SKF-Ball bearing
B01	801144	Länkhjul 100 SL M12 Castor 100mm SL M12
B02	802943	Länkhjul Dubbelt 100 SL M12 Castor double 100mm SL M12
B03	801638	Hjul 100 SL inklusive kullager utan bygel Castors without fork 100 mm SL with SKF-Ball bearing
C01	803162	Extra brett lätttrullat länkhjul, BXL 100 mm Extra wide easy-rolled castor
C02	803181	Extra brett lätttrullat dubbelt länkhjul, BXL 100 mm Extra wide easy-rolled double castor
C03	803161	Hjul 100 BXL Polyuretan Extra brett XL-hjul utan bygel Castors without fork 100 BXL polyurthane black

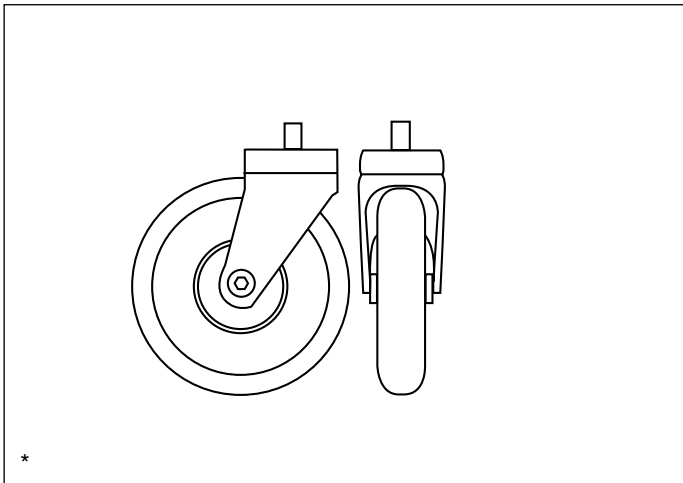
# Stycklista - Hjul

## Part list - Castors

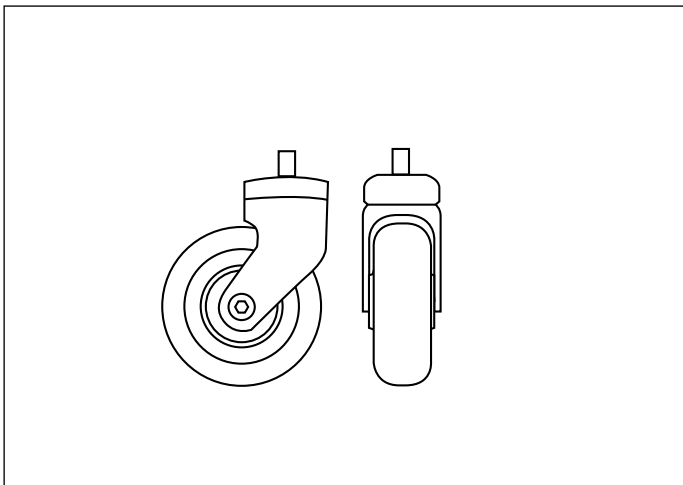
D01 Länkhjul 125 mm - För trösklar  
125 castor - Threshold



E01 Länkhjul 150 mm - För trösklar  
150 castor - Threshold



F01 ESD hjul  
ESD castor



Pos	Art.nr	Benämning
Pos	Art.no	Name

D01	800904	Länkhjul 125 mm XL Castor 125 mm M12
-----	--------	-----------------------------------------

E01	800905	Länkhjul 150 mm XL Castor 150 mm M12
-----	--------	-----------------------------------------

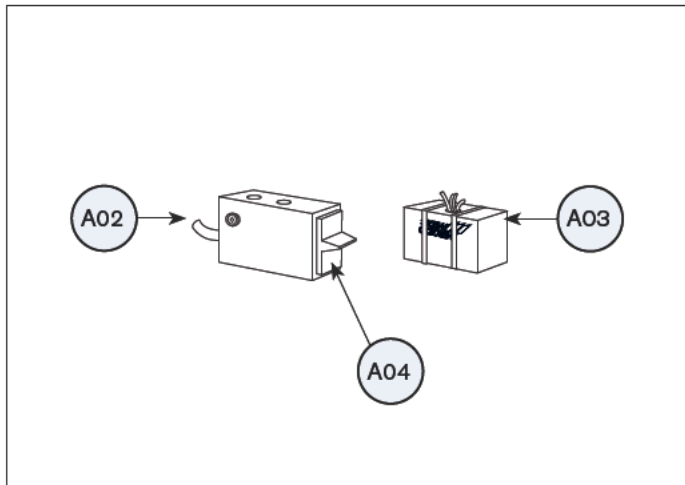
F01	802066	Länkhjul 100 mm ESD M12 kpl. m bygel. Extra bred bana Castor 100 mm ESD M12, extra wide wheel path
-----	--------	-------------------------------------------------------------------------------------------------------

\*Stativförlängare måste användas !  
\*Base extenders must be used !

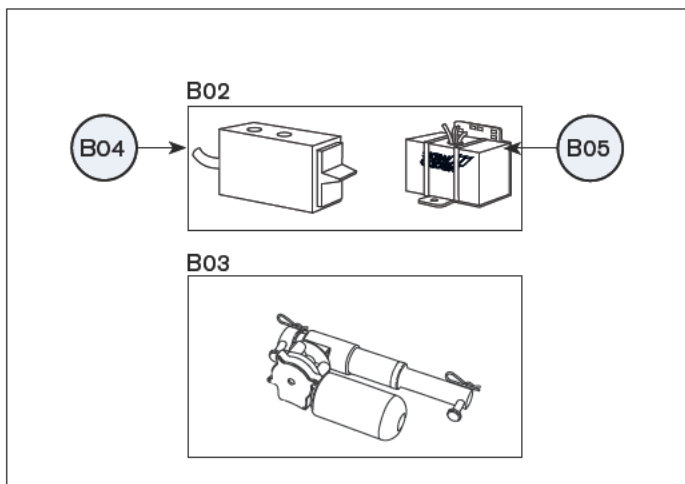
# Stycklista - EL manöverbox

## Part list - Electric remote

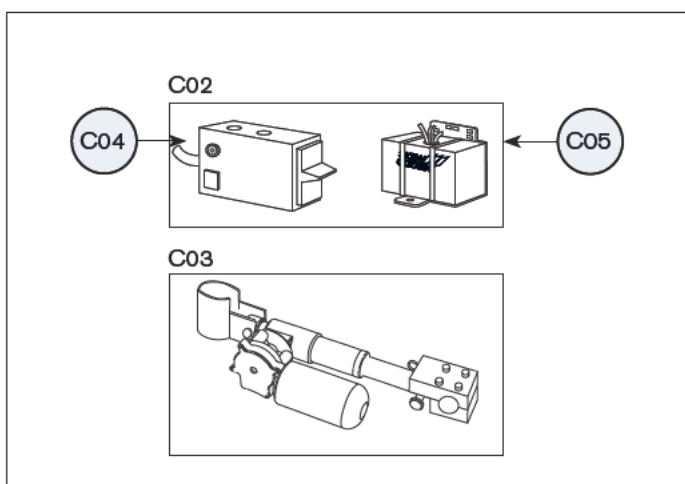
### A01 Elektronik för upp & ner Electronics for up & down



### B01 Elektronik för sitsvinkling Electronics for seat angle adjustment



### C01 Elektronik för broms Electronics for brake

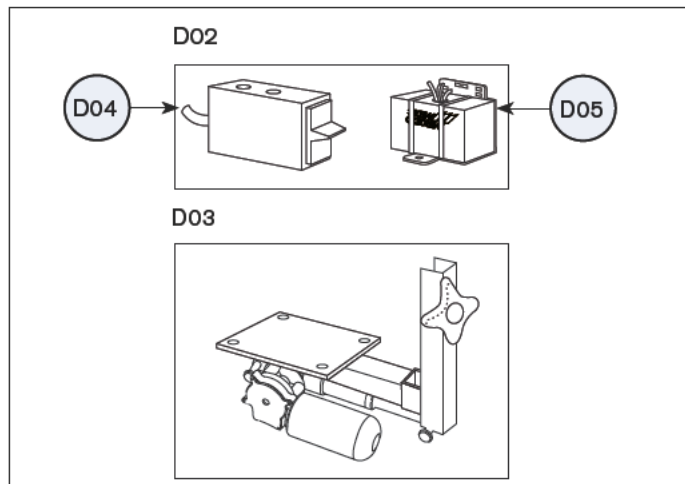


Pos	Art.nr	Benämning
Pos	Art.no	Name
A01	802998	Reläkortssats upp/ner+ladd kpl inkl manöverbox 9000 PLUS <i>Relaycardkit up/down,charg.cpl.incl.operatorbox 9000 PLUS</i>
A02	803034	Manöverbox PLUS f upp/ner +ladd kpl m kablage f reläkort <i>Maneuverbox PLUS for up/down +charger with cabling f relaycard</i>
A03	802546	Reläkort strömbegränsning Upp-Ner REAL 9000 <i>Relaycard current limiting up/down REAL 9000</i>
A04	802692	Manöverknapp med tunga f Reläkort (Röd knapp) <i>Red Button</i>
B01 1	803275	Eldon+Reläsats f sitsvinkel inkl manöverbox <i>Electric kit + relaycard f seat angle including maneuverbox</i>
2	803291	Eldonssats f elvinkel f manuell stol 9000 PLUS <i>Electric kit + relaycard f electric angling for manual chair</i>
3	803667	Eldon+Relä f sitsvink -15/+15 f reläkort Real 9000 PLUS <i>Electric kit + relaycard f seat -15/+15 f relaycard 9000 PLUS</i>
B02	803000	Reläkortssats sitsvinkel kpl inkl manöverbox 9000 PLUS <i>Relaycardkit seat angle compl. incl. maneuverbox 9000 PLUS</i>
B03 1	802730	Eldonssats f sitsvinkel <i>Electric kit for seat angle</i>
2	803666	Eldonssats f sitsvink -15/+15 f reläkort Real 9000 PLUS <i>Electric kit f seat -15/+15 f relaycard 9000 PLUS</i>
B04	803035	Manöverbox PLUS f rygg/sits vinkl kpl m kablage f reläkort <i>Maneuverbox PLUS f back/seat angle cpl. with cabling f relaycard</i>
B05	802578	Reläkort strömbegränsning Sits/Ryggvinkling 16 amp <i>Relaycard current limiting seat/back angle 16 amps</i>
C01 1	803276	Eldon+Reläsats f broms inkl manöverbox <i>Electric kit + relaycard for brake including maneuverbox</i>
2	803077	Eldonskit f elbroms f manuell stol 9000 PLUS inkl batteri <i>Electric kit for brake, for manual chair incl battery</i>
3	803522	Eldonskit f momentan broms f Plus inkl reläkort och manbox <i>Electric kit for momentary brake, for manual chair</i>
C02	803001	Reläkortssats broms kpl inkl manöverbox 9000 PLUS <i>Relaycardkit brake completeincl.operat.box 9000 PLUS</i>
C03	803037	Eldonssats f elbroms f PLUS <i>Electric kit for brake, for PLUS</i>
C04	803036	Manöverbox PLUS f upp/ner & broms kpl m kablage f reläkort <i>Maneuverbox PLUS for up/downbrake cpl.w. cabl. f relaycard</i>
C05	802600	Reläkort strömbegränsning Broms 8 amp <i>Relaycard current limiting spec.brake 8 amp(dement)</i>

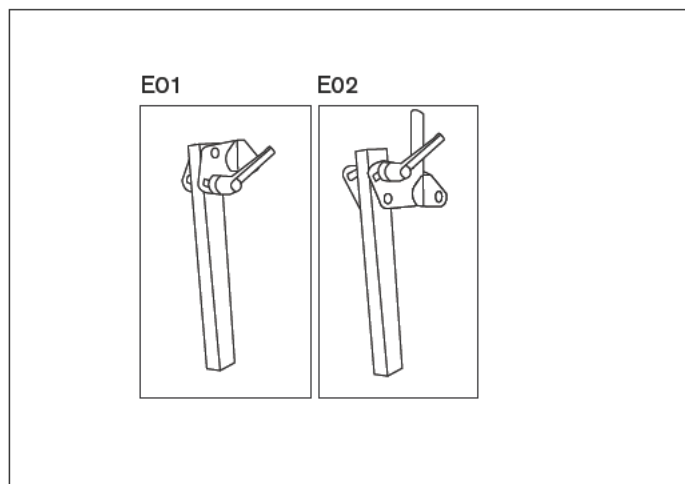
# Stycklista - EL manöverbox

## Part list - Electric remote

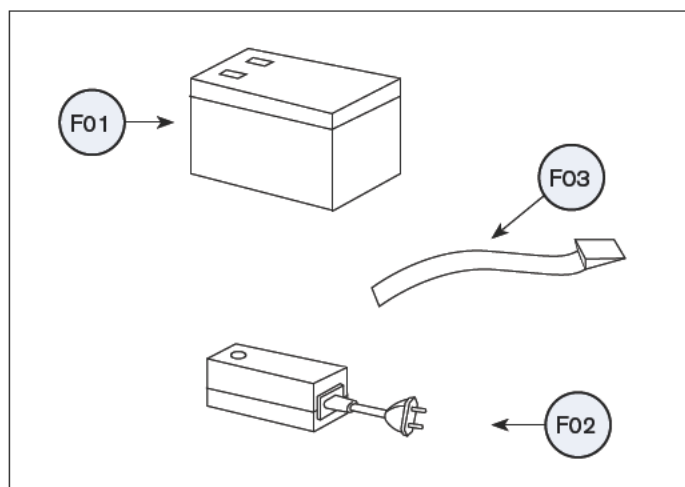
### D01 Elektronik för ryggvinkling Electronics for backrest angle



### E Ryggstolpe för Elygg Back pole for electric backrest



### F Batteri och laddare Battery and charger



Pos	Art.nr	Benämning
Pos	Art.no	Name
D01	803277	Eldon+Reläsats f ryggvinkel inkl manöverbox Electric kit + relaycard for backrest angling incl. maneuverbox
D02	802999	Reläkortssats ryggvinkel kpl inkl manöverbox 9000 PLUS Relaycardkit back angle compl. incl. operatorbox 9000 PLUS
D03	802731	Eldonssats f ryggvinkel f reläkort Real 9000 Electric kit for backrest angle for relaycard REAL 900
D04	803035	Manöverbox PLUS f rygg/sits vinkl kpl m kablage f reläkort Maneuverbox PLUS f back/seat angle cpl.with cabling f relaycard
D05	802578	Reläkort strömbegränsning Sits/Ryggvinkling 16 amp Relaycard current limitingseat/back angle 16 amps

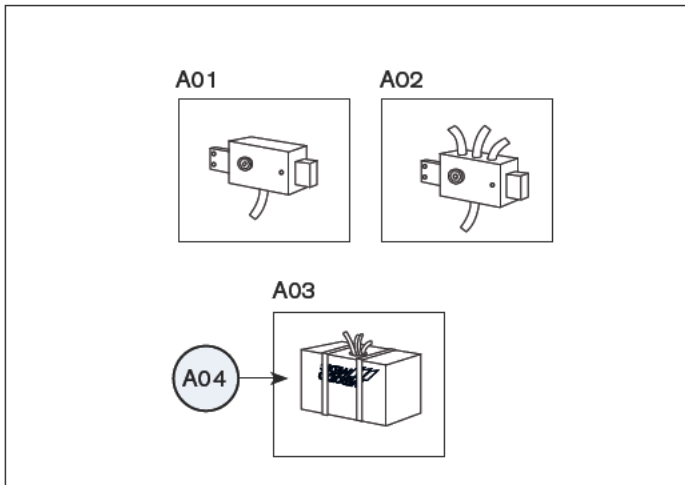
E01	801265	Ryggstolpe Standard. ErgoMedic Låg rygg Back pole Std Cla/ ErgoMedic Low back
E02	800841	Ryggstolpe Standard ErgoMedic Hög rygg Back pole Standard ErgoMedic High back

F01	1	801134	Batteri REAL Elstol Vuxen 12V 7.2Ah Battery 12V 7.2Ah
	2	801135	Batteri REAL Elstol 12 V 3.4 Ah f Br 33-39 Battery 12V 3.4Ah
F02	1	802289	Batteriladdare REAL 9000 12V Battery charger 12V REAL 9000 12V
	2	802935	Batteriladdare REAL 9000 12V för England Battery charger 12V for UK
F03		801258	Fästband Batteri längd 700 mm bredd 18mm för Elstol Cord for battery length 700 mm width 18 mm

# Stycklista - EL laddbox

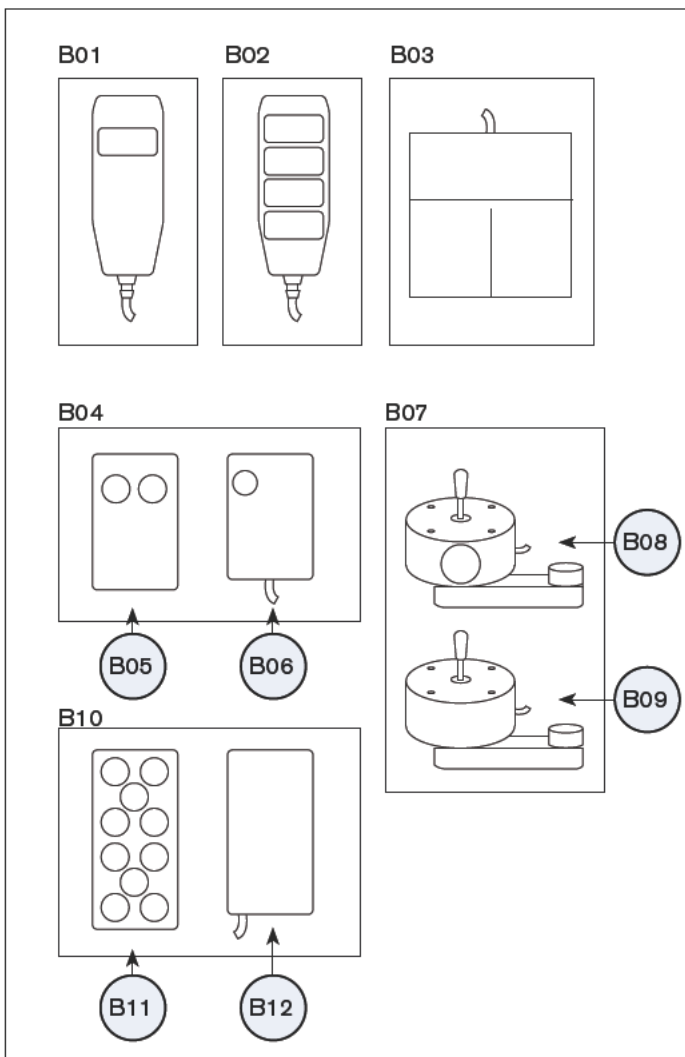
## Part list - Chargerbox

### A Elektronik för upp & ner för laddbox Electronics for up & down with chargerbox



Pos	Art.nr	Benämning
Pos	Art.no	Name
A01	803029	Laddbox Hand Fjärr Joystick upp/ner <i>Chargerbox handcontrol 1-function up/down</i>
A02	803030	Laddbox Hand Fjärr Joystick Multi <i>Chargerbox handcontrol Multi</i>
A03	802748	Reläkortssats upp/ner+ladd 9000 kpl exkl laddbox <i>Relaycardkit up/down + charger 9000 compl. excl. chargerbox</i>
A04	802546	Reläkort strömbegränsning upp/ner REAL 9000 <i>Relaycard current limiting up/down REAL 9000</i>

### B Manöver alternativ Maneuver alternative

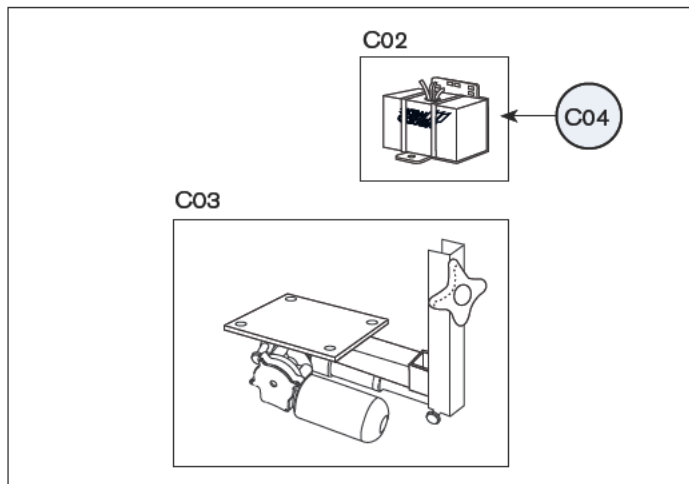


B01	802739	Handkontroll 1-funktion u/n m sladd o kontakt för reläkort <i>Handcontrol 1-function up/downcord and contact for relaycard</i>
B02	802740	Handkontroll 4-funktion multi m sladd o kontakt för reläkort <i>Handcontrol 4-function multicord and contact for relaycard</i>
B03	802688	Fotkontakt elreglage h/s 9000 f REAL 9000 EI för reläkort <i>Foot pedal for electric raising/lowering</i>
B04	802686	Sladdlös höjdregering för REAL 9000 EI för reläkort <i>Remote control Kit Up/Down</i>
B05	801806	Fjärrkontroll Manöverdosa f Upp/Ner IR 9000 EI <i>Remote control Up/Down</i>
B06	802737	Fjärrkontroll Mottagare f Upp/Ner IR 9000 EI för reläkort <i>Remote control Receiver Up/Down</i>
B07	802743	Joystick 3-funktioner + broms m kontakt för reläkort <i>Joystick 3 function + brake</i>
B08	802742	Joystick 2-funktioner + broms m kontakt för reläkort <i>Joystick 2 function + brake</i>
B09	802741	Joystick 2-funktioner ej broms m kontakt för reläkort <i>Joystick 2 function no brake</i>
B10	802687	Sladdlös multireglering för REAL 9000 EI för reläkort <i>Remote control Kit Multi</i>
B11	801808	Fjärrkontroll Manöverdosa för Multi IR 9000 EI <i>Remote control Transmitt Multi</i>
B12	802738	Fjärrkontroll Mottagare för Multi IR 9000 EI för reläkort <i>Remote control Receiver Multi</i>

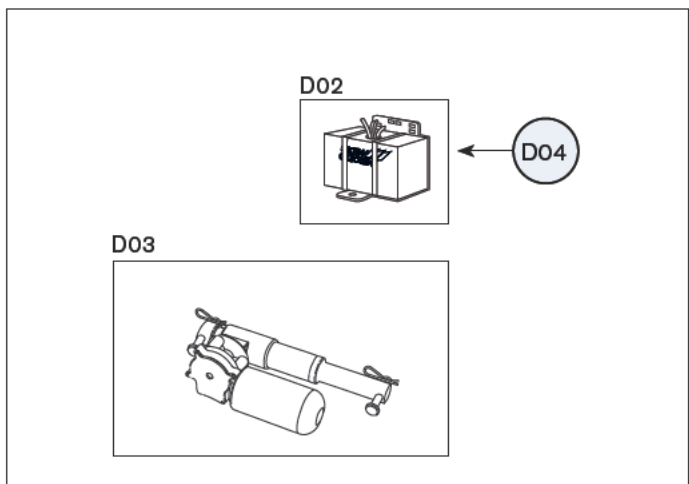
# Stycklista - EL laddbox

## Part list - Chargerbox

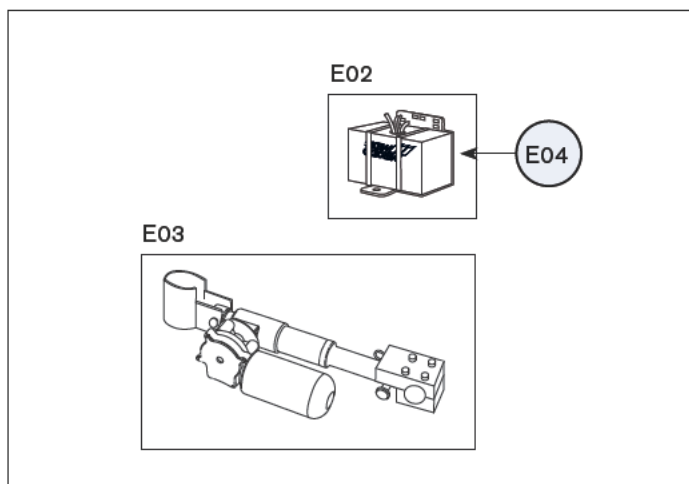
C01 Elektronik för ryggvinkling för laddbox  
Electronics for backrest angle with chargerbox



D01 Elektronik för sitsvinkling för laddbox  
Electronics for seat angle adjustment with chargerbox



E01 Elektronik för broms för laddbox  
Electronics for brake with chargerbox



Pos	Art.nr	Benämning
Pos	Art.no	Name
C01	803274	Eldon+Reläsats för ryggvinkel exkl laddbox Electric kit + relaycard for backrest angling excl. chargerbox
C02	802750	Reläkortssats ryggvinkel komplett exkl laddbox Relaycardkit back angle compl. excluding chargerbox
C03	802731	Eldonssats för ryggvinkel för reläkort Real 9000 Electric kit for backrest angle
C04	802578	Reläkort strömbegränsning Sits/Ryggvinkling 16 amp Relaycard current limiting seat/back angle 16 amps
D01	803272	Eldon+Reläsats f sitsvinkling exkl laddbox Electric kit + relaycard for electric seat angling excl. chargerbox
D02	802749	Reläkortssats sitsvinkel kpl exkl laddbox Relaycardkit seatangle compl. excluding chargerbox
D03	802730	Eldonssats för sitsvinkel Electric kit for seat angle adjustment
D04	802578	Reläkort strömbegränsning Sits/Ryggvinkling 16 amp Relaycard current limiting seat/back angle 16 amps
E01	803273	Eldon+Reläsats f broms exkl laddbox Electric kit + relaycard for electric brake excluding chargerbox
E02	802751	Reläkortssats broms kpl exkl laddbox Relaycardkit brake complete excluding chargerbox
E03	803037	Eldonssats för elbroms för PLUS Electric kit for seat electric brake for PLUS
E04	802600	Reläkort strömbegränsning Broms 8 amp Relaycard current limiting brake 8 ampere





## MERCADO SVERIGE

**Mercado Medic AB**  
Tryffelslingan 14  
181 57 Lidingö

**Telefon & Fax**  
Tel 08 555 143 00  
Fax 08 555 143 99

**Email & Internet**  
Email [info@mercado.se](mailto:info@mercado.se)  
Internet [www.mercado.se](http://www.mercado.se)



## MERCADO NETHERLANDS

**Mercado Medic Nederland BV**  
Nobelweg 22  
3899 BN Zeewolde

**Phone & Fax**  
Tel +31 (0) 36 521 99 95  
Fax +31 (0) 36 521 99 90

**Email & Internet**  
Email [info@mercado-medic.nl](mailto:info@mercado-medic.nl)  
Internet [www.mercado-medic.nl](http://www.mercado-medic.nl)



## MERCADO UK

**Mercado Medic UK Ltd**  
PO Box 4818  
Warwick, CV34 9GB

**Phone & Fax**  
Ph +44-(0)844 561 6874  
Fax +44-(0)844 561 6875

**Email & Internet**  
Email [info@mercado-medic.co.uk](mailto:info@mercado-medic.co.uk)  
Internet [www.mercado-medic.co.uk](http://www.mercado-medic.co.uk)

## MERCADO NORGE



**Handicare**  
Postboks 5043  
1503 Moss

**Telefon & Telefaks**  
Telefon: 69 24 44 00  
Telefaks: 69 24 45 00

**Epost & internett**  
Epost: [post@handicare.no](mailto:post@handicare.no)  
Internet: [www.handicare.no](http://www.handicare.no)