



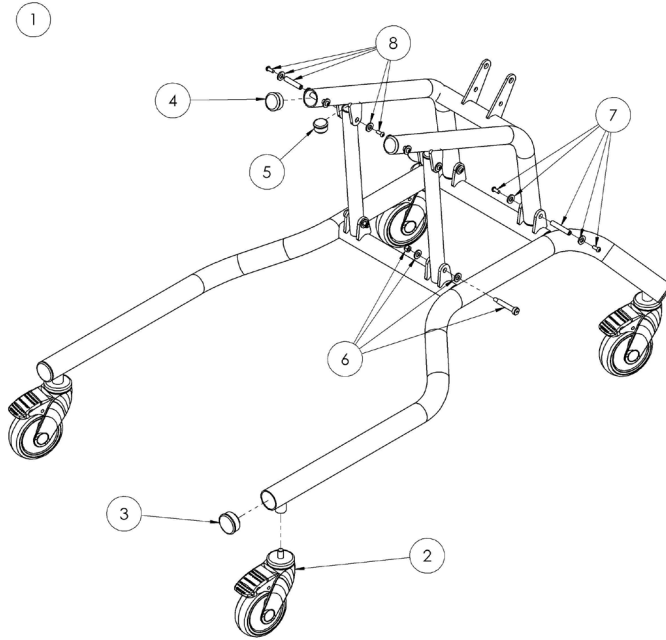
Mygo Stander

Spare Parts Catalogue



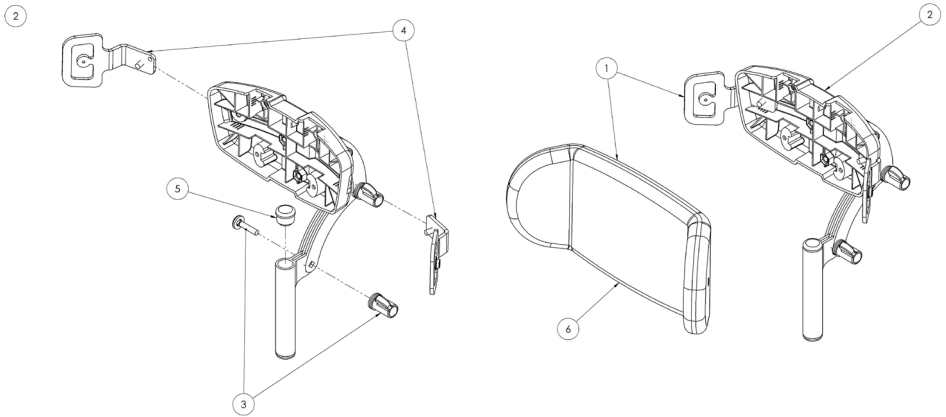
Supporting
Children

Mygo Stander Spare Parts - Chassis



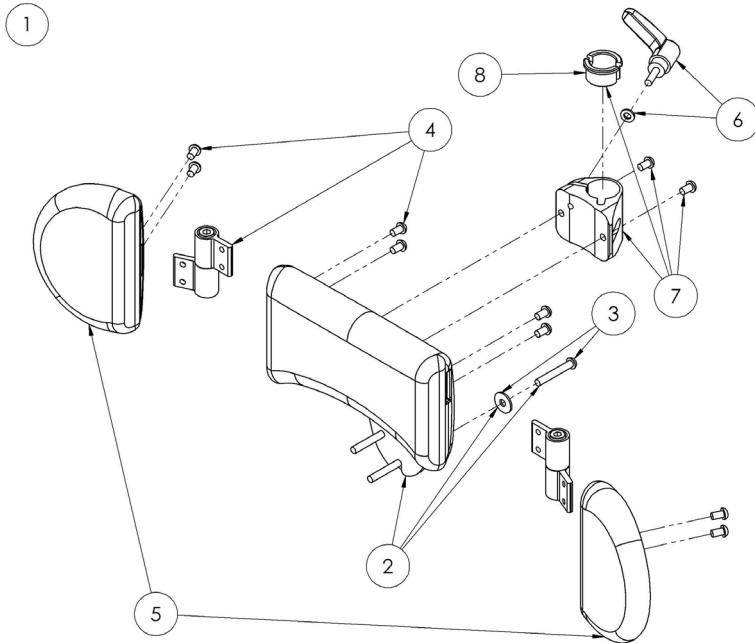
Pos.	Leckey Sales Code	Description	Min. Order Qty
1	143-1627	Chassis - Size 1	1
	143-2627	Chassis - Size 2	1
2	IA13	Black Castor	1
3	SF56	1-1/2" Ribbed Tube Inserts (Pack of 4)	1
4	SH62	1 1/4" Round Black Insert (Pack of 4)	1
5	SF68	1" Round Ribbed Tube Insert (Pack of 2)	1
6	143-9001	Support Arm Fixing Kit	1
7	143-9075	Base/Welded Arm Fixing Kit	1
8	143-9076	Support/Welded Arm Fixing Kit	1

Mygo Stander Spare Parts - Contoured Head Support & Cushion



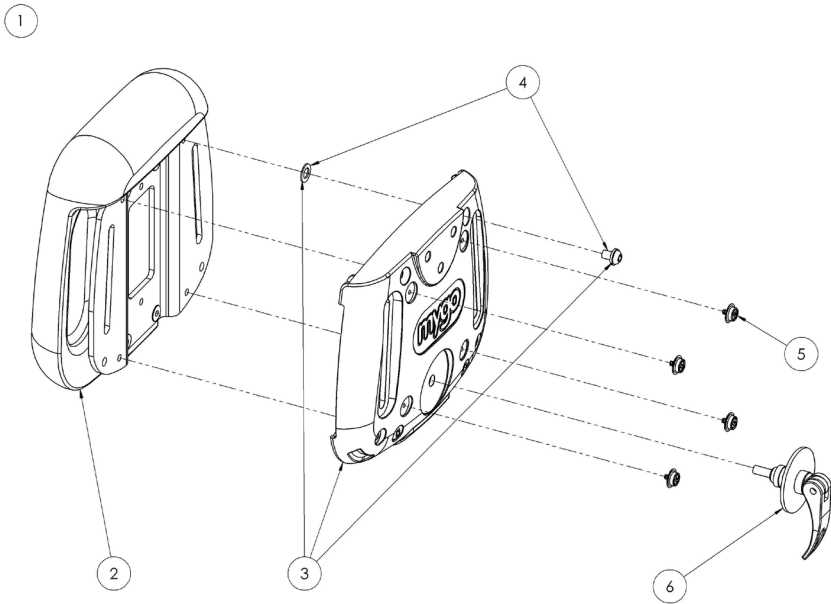
Pos.	Leckey Sales Code	Description	Min. Order Qty
1	137-699-05	Contoured Headrest Support & Cushion - Black	1
	137-699-05VIN	Contoured Headrest Support & Cushion - Black Vinyl	1
	143-1662	Contoured Headrest with Infection Control Cushion	1
2	120-859	Contoured Headrest (Hardware)	1
3	137-9056	Wing Nut Kit	1
4	120-880	Headrest Laterals (Pair)	1
5	SF53	7/8" Dia Ribbed Tube Insert (Single)	2
6	143-1787	Contoured Headrest Cushion - Infection Control	1
	137-800-05	Contoured Headrest Cushion - Black	1
	137-800-05VIN	Contoured Headrest Cushion - Black Vinyl	1

Mygo Stander Spare Parts - **Shoulder**



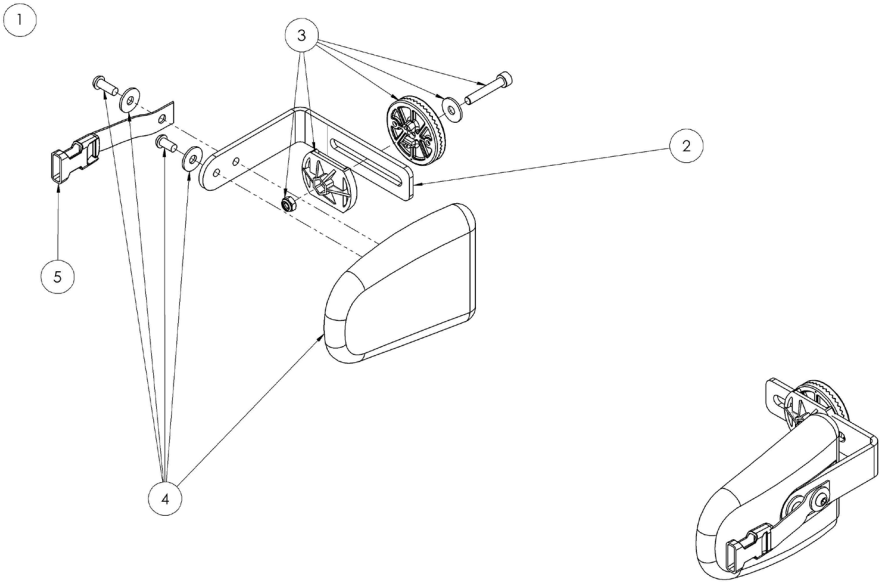
Pos.	Leckey Sales Code	Description	Min. Order Qty
1	143-1638	Shoulder Assembly	1
2	143-9035	Shoulder PU Assembly	1
3	143-9077	Shoulder PU Kit	1
4	143-9036	Lateral Attachment Kit	1
5	143-1637	Shoulder Lateral PU	2
6	143-9039	Handle Assembly	2
7	143-9040	Head Support Attachment Assembly	1
8	118-166	Head Support Collar	1

Mygo Stander Spare Parts - Chest Pad



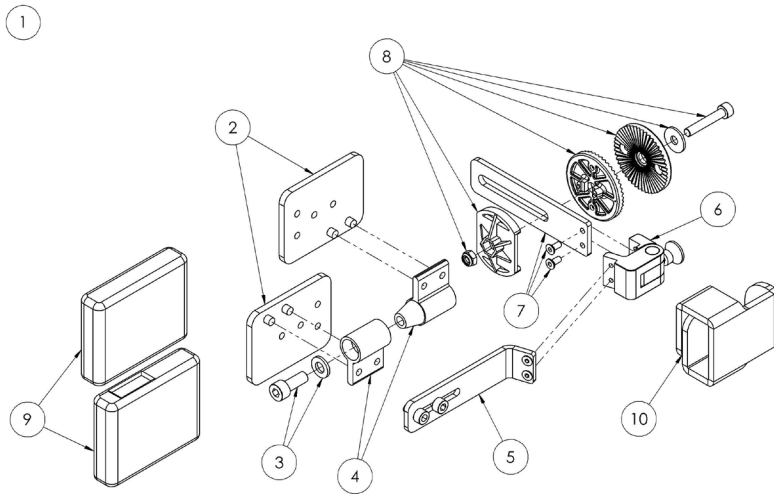
Pos.	Leckey Sales Code	Description	Min. Order Qty
1	143-1626	Chest Pad Assembly - Size 1	1
	143-2626	Chest Pad Assembly - Size 2	1
2	143-9031	Chest Pad Assembly - Size 1	1
	143-9033	Chest Pad Assembly - Size 2	1
3	143-9030	Chest Shroud Assembly - Size 1	1
	143-9032	Chest Shroud Assembly - Size 2	1
4	143-9078	Chest Shroud Fixing Kit	1
5	143-9029	Upholstery Fixing Stud Kit	1
6	143-9028	Chest Height Adjust Fixing Kit	1

Mygo Stander Spare Parts - Chest Lateral



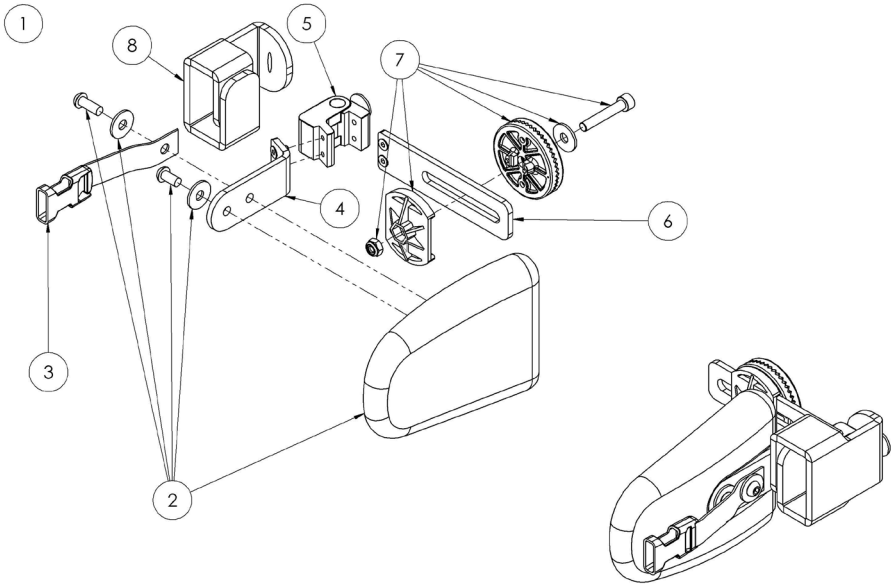
Pos.	Leckey Sales Code	Description	Min. Order Qty
1	143-1619	Chest Lateral (Pair) - Size 1	1
	143-2619	Chest Lateral (Pair) - Size 2	1
2	143-1144	Chest Lateral Brackets (Pair) - Size 1	1
	143-1270	Chest Lateral Brackets (Pair) - Size 2	1
3	143-9041	Angle Adjust Fixing Kit (Pair)	1
4	143-9042	Lateral Assembly Kit (Pair)	1
5	143-1800	25mm Buckle Assembly (Pair)	1

Mygo Stander Spare Parts - Complex Chest Lateral



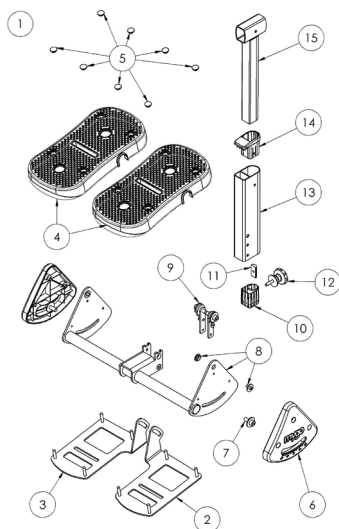
Pos.	Leckey Sales Code	Description	Min. Order Qty
1	143-1673	Complex Chest Lateral Ass. (RHS)	1
	143-1674	Complex Chest Lateral Ass. (LHS)	1
2	143-9048	Complex Chest Lateral Plate Ass.	1
3	143-9049	Fixing Kit	1
4	143-9050	Taperlock Assembly	1
5	143-9051	Lateral Attachment Assembly	1
6	117-824	Flip Away Lateral (Pair)	1
7	143-9053	Angle Adjust Bracket Assembly	1
8	143-9052	Angle Adjust Fixing Kit	1
9	137-295	Foam Pocket w. Spacer Foam	
10	133-726	Lateral & Bracket Covers (Single)	1

Mygo Stander Spare Parts - Flip Away Chest Lateral



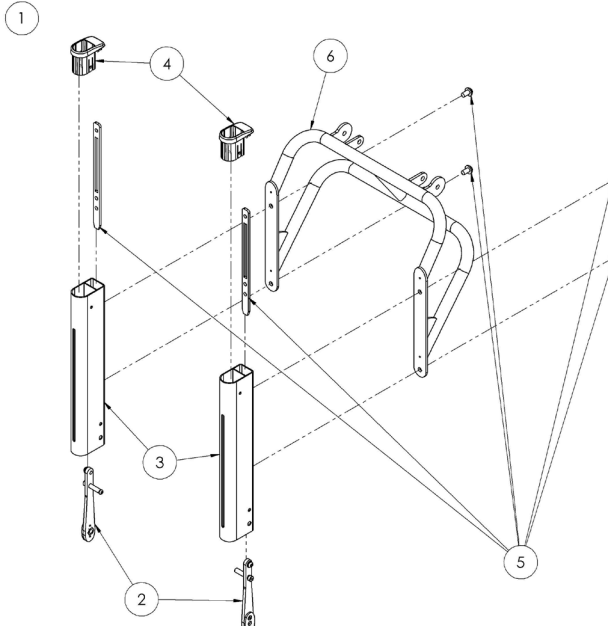
Pos.	Leckey Sales Code	Description	Min. Order Qty
1	143-1675	Flip Away Lateral Assembly (Pair)	1
2	143-9044	Lateral Assembly Kit (Pair)	1
3	143-1800	25mm Buckle Assembly (Pair)	1
4	143-9045	Lateral Attachment Kit (Pair)	1
5	117-824	Flip Away Lateral (Pair)	1
6	143-9046	Angle Adjust Bracket Assembly (Pair)	1
7	143-9047	Angle Adjust Fixing Kit (Pair)	1
8	133-726	Lateral & Bracket Covers (Single)	2

Mygo Stander Spare Parts - Footplate



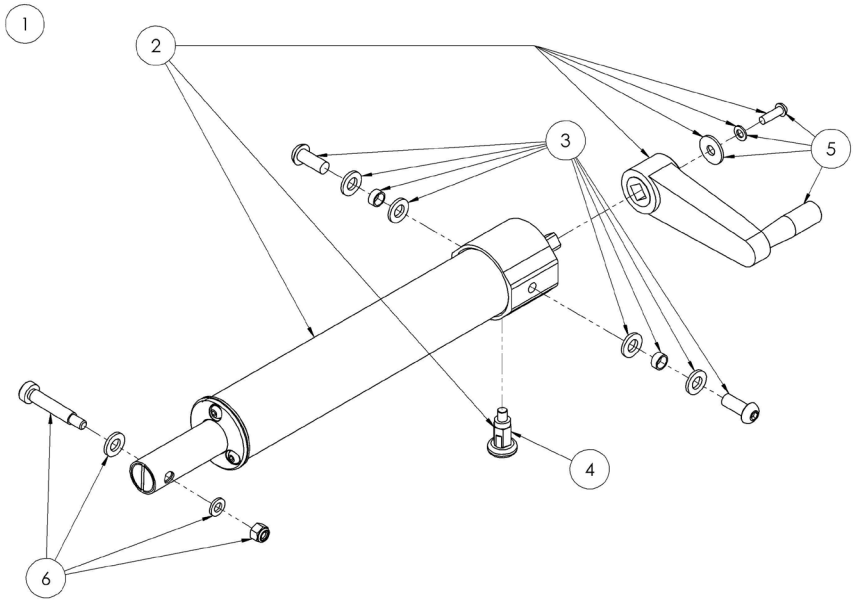
Pos.	Leckey Sales Code	Description	Min. Order Qty
1	143-1607	Footplate Assembly - Size 1	1
	143-2607	Footplate Assembly - Size 2	1
2	143-9003	Footplate Angle Assembly (LHS)	1
3	143-9004	Footplate Angle Assembly (RHS)	1
4	143-9005	Footplates (Pair)	1
5	118-153	Orb Knob Cap (Pack of 8)	1
6	143-9006	Footplate Shroud Assembly (Pair)	1
7	143-9007	Footplate Angle Adjust Fixing Kit	1
8	143-9008	Footplate Support Assembly - Size 1	1
	143-9011	Footplate Support Assembly - Size 2	1
9	143-9009	Footplate Support Fixing Kit	1
10	143-1189	Hip Tube Bottom Bush	1
11	120-235	Calf Locking Plate	1
12	143-9010	Knee Height Adjustment Fixing Kit	1
13	143-1115	Knee Post Outer - Size 1	1
	142-2115	Knee Post Outer - Size 2	1
14	143-1110	Extrusion Top & Bush	1
15	143-1616	Knee Post Assembly	1

Mygo Stander Spare Parts - **Stander Frame**



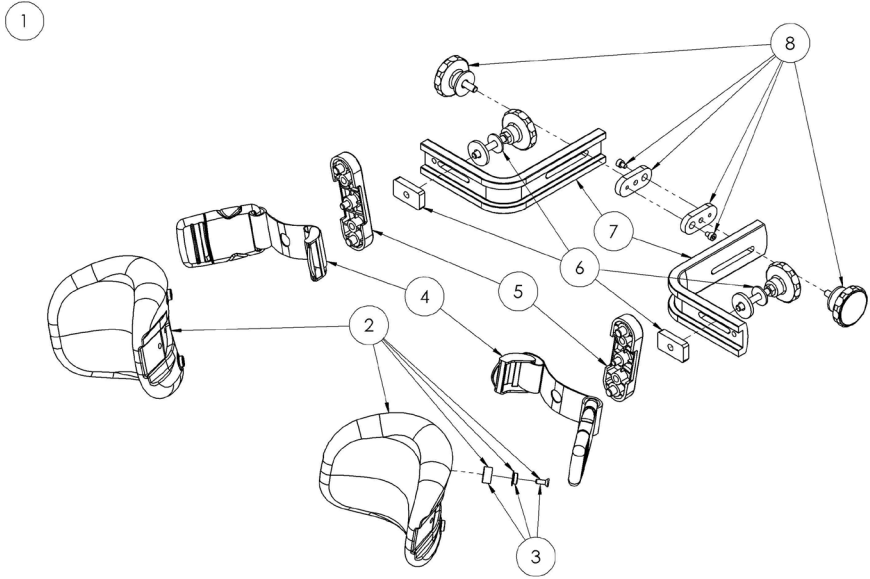
Pos.	Leckey Sales Code	Description	Min. Order Qty
1	143-1608	Stander Frame Assembly - Size 1	1
	143-2608	Stander Frame Assembly - Size 2	1
2	143-9012	Footplate Hinge Fixing Kit	1
3	143-1108	Side Extrusion - Size 1	1
	143-2108	Side Extrusion - Size 2	1
4	143-1110	Extrusion Top & Bush	1
5	143-9013	Frame Assembly Fixing Kit	1
6	143-1612	Cross Bar Weld Assembly - Size 1	1
	143-2612	Cross Bar Weld Assembly - Size 2	1

Mygo Stander Spare Parts - Linear Drive



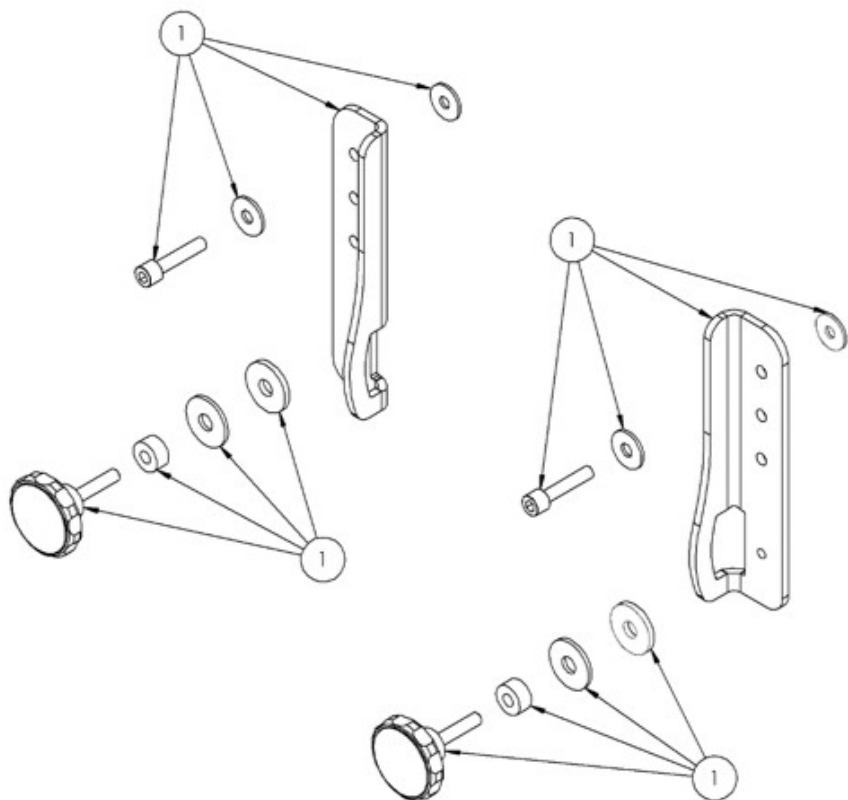
Pos.	Leckey Sales Code	Description	Min. Order Qty
1	143-1640	Linear Drive Assembly	1
2	143-9014	Linear Drive Part	1
3	143-9015	Pivot Fixing Kit	1
4	IA56	Pull Pin	1
5	143-9016	Handle Assembly	1
6	143-9017	Chassis Interface Fixing Kit	1

Mygo Stander Spare Parts - Knee



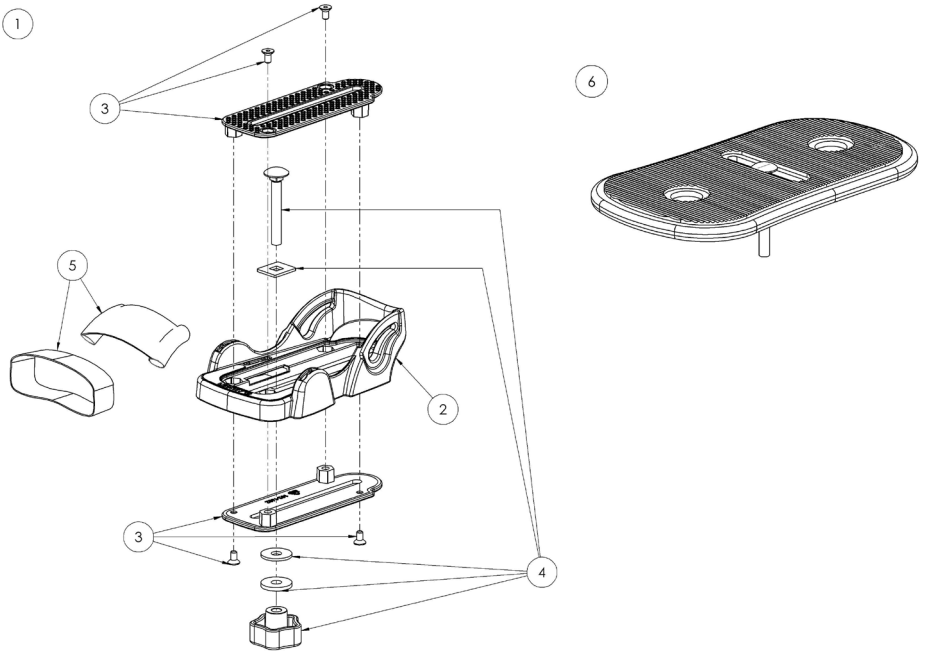
Pos.	Leckey Sales Code	Description	Min. Order Qty
1	143-1608	Stander Frame Assembly - Size 1	1
	143-2608	Stander Frame Assembly - Size 2	1
2	143-9012	Footplate Hinge Fixing Kit	1
3	143-1108	Side Extrusion - Size 1	1
	143-2108	Side Extrusion - Size 2	1
4	143-1110	Extrusion Top & Bush	1
5	143-9013	Frame Assembly Fixing Kit	1
6	143-1612	Cross Bar Weld Assembly - Size 1	1
	143-2612	Cross Bar Weld Assembly - Size 2	1

Mygo Stander Spare Parts - Knee Height Extensions



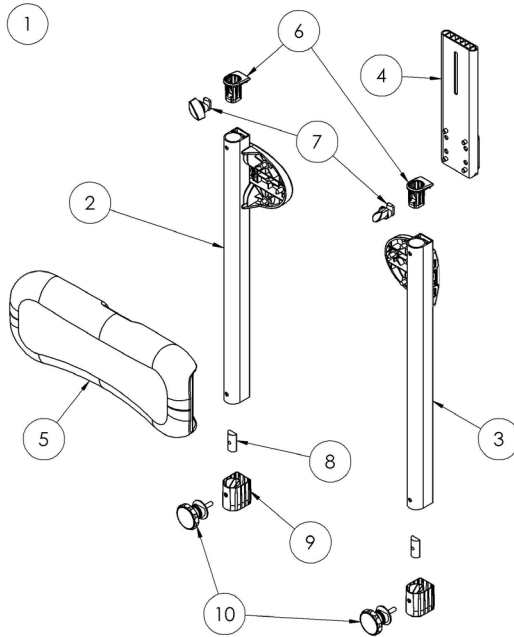
Pos.	Leckey Sales Code	Description	Min. Order Qty
1	143-1690	Knee Height Extension (Pair)	1

Mygo Stander Spare Parts - Sandals



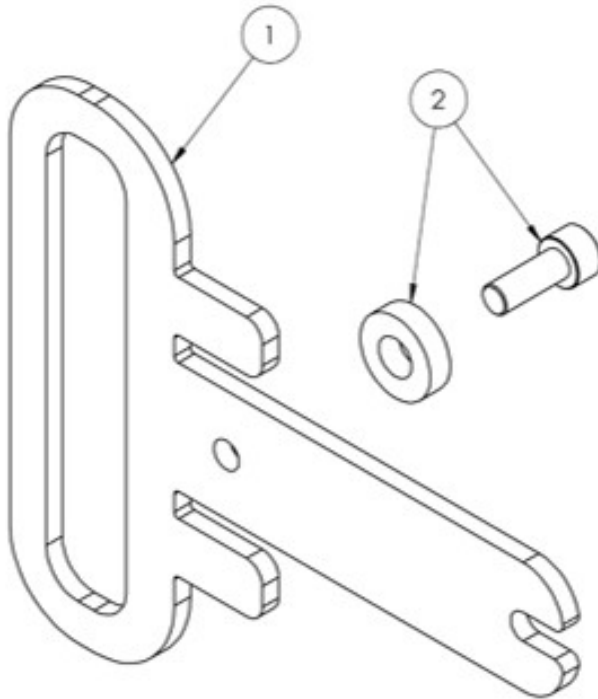
Pos.	Leckey Sales Code	Description	Min. Order Qty
1	152-1600	Sandal Assembly (Pair) - Size 1	1
	152-2600	Sandal Assembly (Pair) - Size 2	1
	152-3600	Sandal Assembly (Pair) - Size 3	1
2	152-1700	Sandal Moulding (Single) - Size 1	1
	152-2700	Sandal Moulding (Single) - Size 2	1
	152-3700	Sandal Moulding (Single) - Size 3	1
3	152-1701	Sandal Lid & Screws (Single)	2
4	152-1702	Sandal Attachment Kit (Single)	2
5	152-1703	Sandal Straps (Single) - Size 1	1
	152-2703	Sandal Straps (Single) - Size 2	1
	152-3703	Sandal Straps (Single) - Size 3	1
6	143-1615	Sandal Raiser (Single)	1

Mygo Stander Spare Parts - Hip



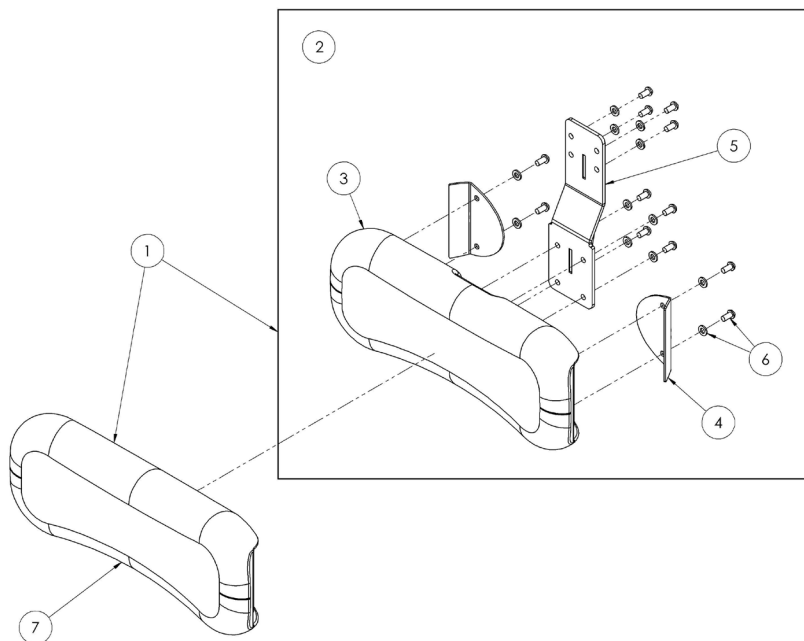
Pos.	Leckey Sales Code	Description	Min. Order Qty
1	143-1620	Hip Assembly - Size 1	1
	143-2620	Hip Assembly - Size 2	1
2	143-9023	Hip Height Adjust Assembly - RHS	1
3	143-9024	Hip Height Adjust Assembly - LHS	1
4	143-9025	Chest Height Adjust Assembly	1
5	143-1611	Hip Pad PU - Size 1	1
	143-2611	Hip Pad PU - Size 2	1
6	143-1193	Tray Tube Bush (Pair)	1
7	143-9026	Tray Height Adjust Fixing Kit	1
8	120-235	Calf Locking Plate (Single)	2
9	143-1189	Hip Tube Bottom Bush (Single)	2
10	143-9027	Hip Height Adjust Fixing Kit (Pair)	1

Mygo Stander Spare Parts - Hip Derotation Belt



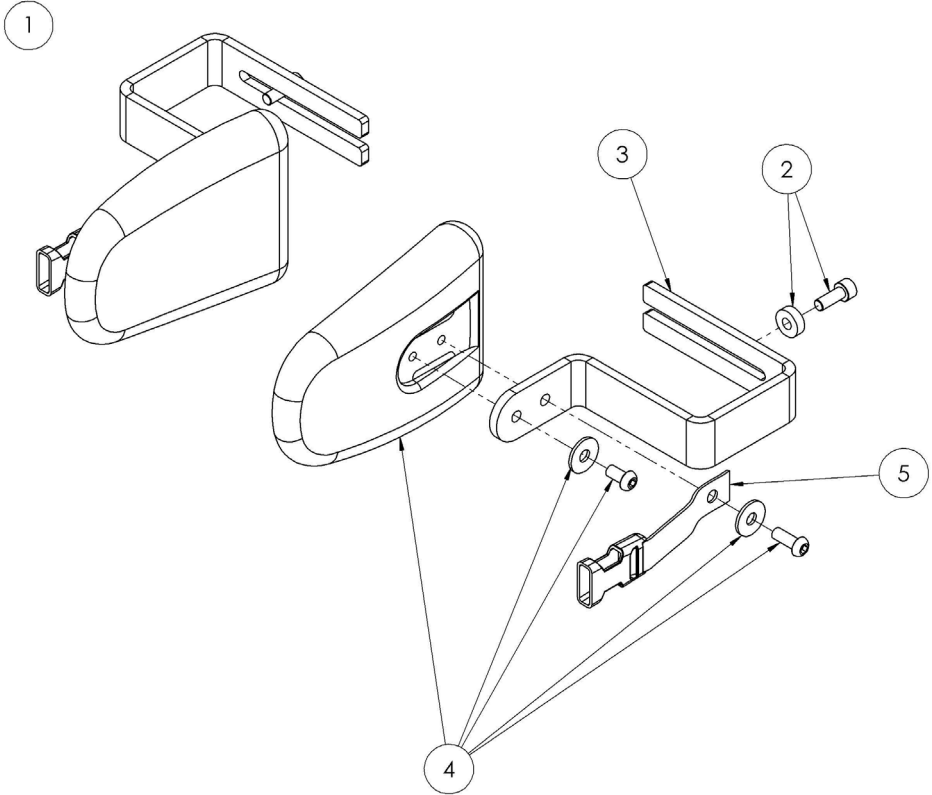
Pos.	Leckey Sales Code	Description	Min. Order Qty
1	143-1229	Hip Belt Bracket	1
	143-9054	Attachment Kit	1

Mygo Stander Spare Parts - Hip Infill Pad



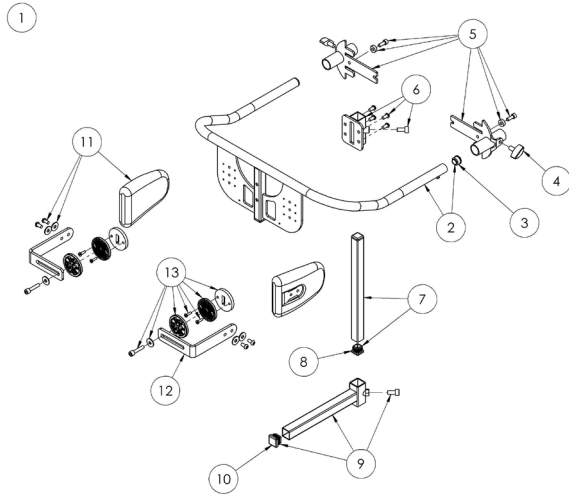
Pos.	Leckey Sales Code	Description	Min. Order Qty	Colour Options			Compatible with	
				Orange	Blue	Pink	Size 1	Size 2
[Replace XX with colour]				Orange	Blue	Pink	Size 1	Size 2
1	143-1666-XX	Hip Infill Pad (Size 1)	1	-07	-08	-09	●	
1	143-2666-XX	Hip Infill Pad (Size 2)	1	-07	-08	-09		●
2	143-1666	Hip Infill Pad (Hardware Only)(Size 1)	1				●	
2	143-1667	Hip Infill Pad (Hardware Only) (Size 2)	1					●
3	143-1611	Hip Pad PU (Size 1)	1				●	
3	143-2611	Hip Pad PU (Size 2)	1					●
4	143-1276	Hip Pad Cover Bracket [Single]	1				●	●
5	143-1667	Hip Infill Support [Single]	1				●	●
6	143-9084	Hip Infill Screw Kit	1				●	●
7	143-1799-XX	Hip Infill Cover (Size 1)	1	-07	-08	-09	●	
7	143-2799-XX	Hip Infill Cover (Size 2)	1	-07	-08	-09		●

Mygo Stander Spare Parts - Hip Lateral



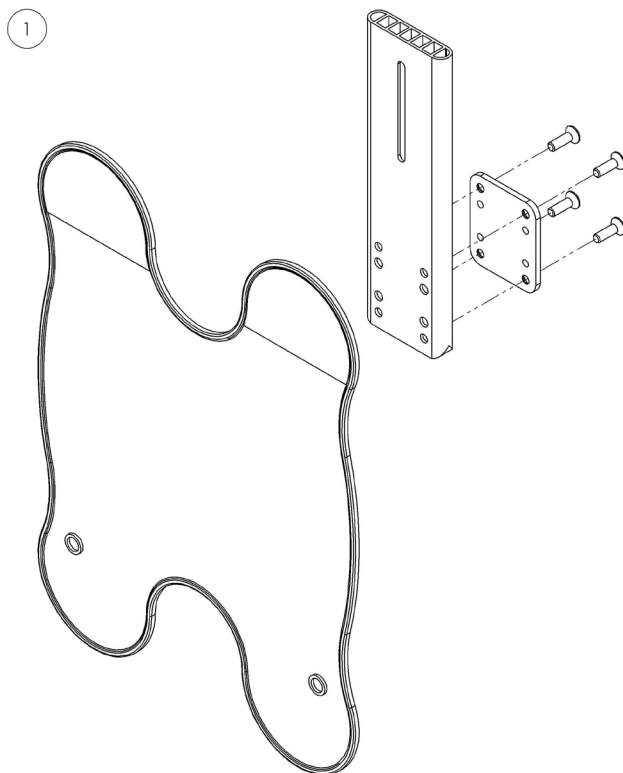
Pos.	Leckey Sales Code	Description	Min. Order Qty	Compatible with	
				Size 1	Size 2
1	143-1663	Hip Lateral Assembly [Pair]	1	●	●
2	143-9054	Attachment Kit [Pair]	1	●	●
3	143-1181	Hip Lateral Bracket [Pair]	1	●	●
4	143-9055	Lateral Attachment Assembly [Pair]	1	●	●
5	143-1800	25mm Buckle Assembly [Pair]	1	●	●

Mygo Stander Spare Parts - Posterior Support



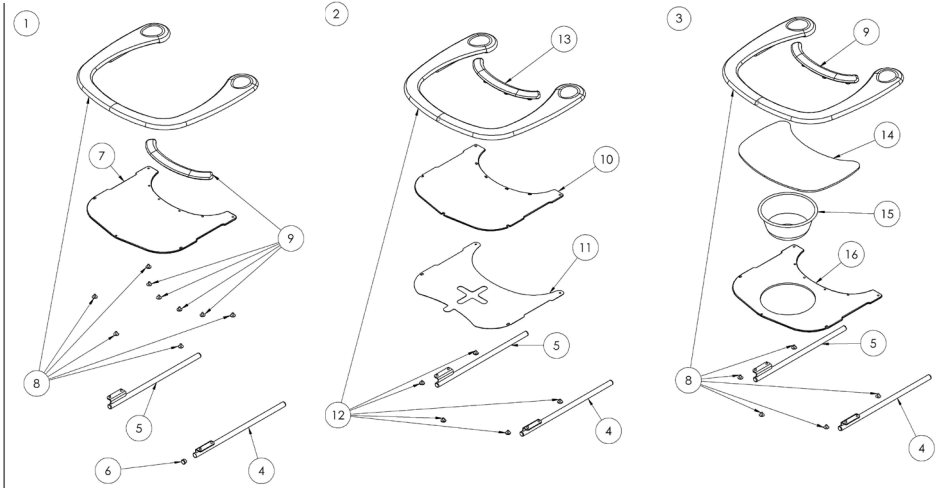
Pos.	Leckey Sales Code	Description	Min. Order Qty	Colour Options				Compatible with	
				Orange	Blue	Pink	Infection Control [Black]	Size 1	Size 2
		(Replace XX with colour)							
1	143-1624	Posterior Support Assembly [Size 1]	1					●	
1	143-2624	Posterior Support Assembly [Size 2]	1						●
2	143-9059	Posterior Support [Size 1]	1					●	
2	143-9063	Posterior Support [Size 2]	1						●
3	SF52	3/4" Dia Ribbed Tube Insert [Single]	2					●	●
4	SF19	Locking Key [Single]	2					●	●
5	143-9056	Attachment Kit	1					●	●
6	143-9090	Pommel Attachment Kit	1					●	●
7	143-9091	Pommel Vertical Bar [Size 1]	1					●	
7	143-9092	Pommel Vertical Bar [Size 2]	1						●
8	SH83	3/4" Black Insert [Single]	2					●	●
9	143-9060	Pommel Assembly	1					●	●
10	SF60	7/8" Square Ribbed Insert [Single]	1					●	●
11	143-9061	Lateral Attachment Assembly [Pair]	1					●	●
12	143-1226	Lateral Bracket [Pair]	1					●	●
13	143-9062	Angle Adjust Fixing Kit [Pair]	1					●	●
14	143-1250	Pommel Foam (Not Shown)	1					●	●
15	143-1790-XX	Posterior Support Cover (not shown)	1	-07	-08	-09	-14	●	●
16	143-1792-XX	Pommel Support Cover (not shown)	1	-07	-08	-09	-14	●	●

Mygo Stander Spare Parts - Pommel Retrofit Kit



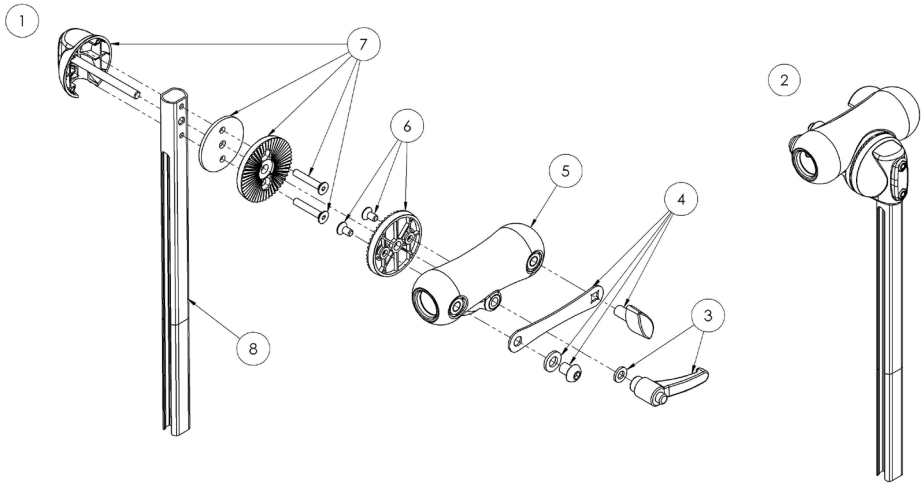
Pos.	Leckey Sales Code	Description	Min. Order Qty	Colour Options			Compatible with	
[Replace XX with colour]				Orange	Blue	Pink	Size 1	Size 2
1	143-1699-XX	Pommel Interface Retrofit Kit (Size 1)	1	-07	-08	-09	●	
1	143-2699-XX	Pommel Interface Retrofit Kit (Size 2)	1	-07	-08	-09		●

Mygo Stander Spare Parts - Tray



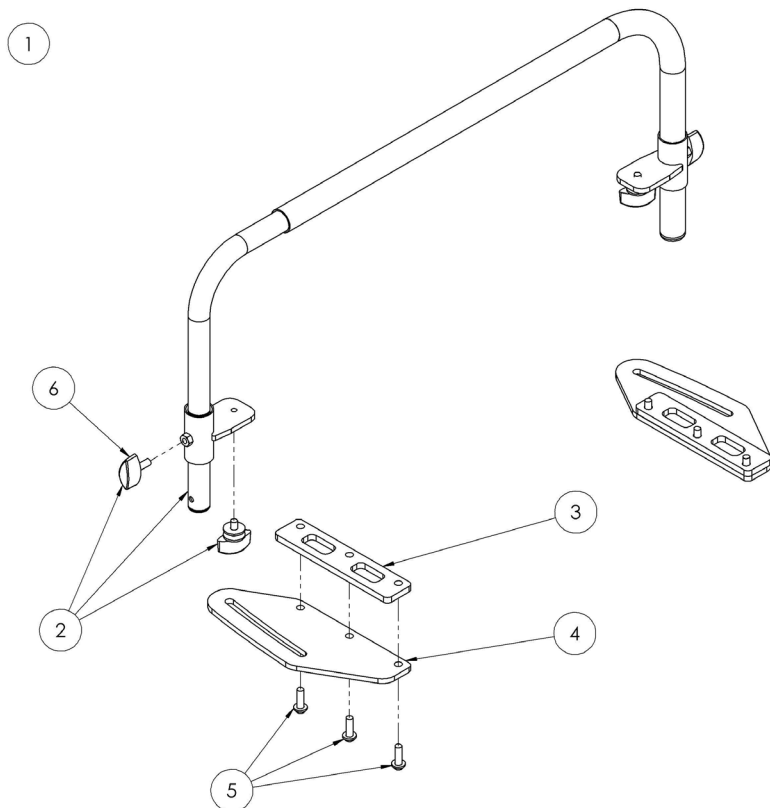
Pos.	Leckey Sales Code	Description	Min. Order Qty	Compatible with	
				Size 1	Size 2
1	143-1609	Standard Tray [Size 1]	1	●	
1	143-2609	Standard Tray [Size 2]	1		●
2	143-1610	Tray with Clear Insert [Size 1]	1	●	
2	143-2610	Tray with Clear Insert [Size 2]	1		●
3	143-1633	Tray with Bowl [Size 1]	1	●	
3	143-2633	Tray with Bowl [Size 2]	1		●
4	143-9068	Tray Tube Assembly - LHS	1	●	●
5	143-9069	Tray Tube Assembly - RHS	1	●	●
6	SF52	3/4" Dia Ribbed Tube Insert [Single]	2	●	●
7	143-1200	Prone Tray Insert	1	●	●
8	143-9070	Tray PU Assembly	1	●	●
9	143-9071	Tray Protection PU Assembly	1	●	●
10	143-1242	Clear Tray Insert	1	●	●
11	143-1243	Secondary Tray Insert	1	●	●
12	143-9081	Clear Tray PU Assembly	1	●	●
13	143-9082	Clear Tray Protection PU Assembly	1	●	●
14	143-9072	Bowl Cover Assembly	1	●	●
15	SG41	Empee 8" Lotion Bowl	1	●	●
16	143-9073	Tray Insert with Bowl Assy	1	●	●

Mygo Stander Spare Parts - Tray Receiver



Pos.	Leckey Sales Code	Description	Min. Order Qty	Compatible with	
				Size 1	Size 2
1	143-1647	Tray Receiver - LHS	1	●	●
2	143-1634	Tray Receiver - RHS	1	●	●
3	143-9064	Handle Assembly [Single]	1	●	●
4	143-9065	Knob Assembly [Single]	1	●	●
5	143-1653	Tray Receiver PU [Single]	1	●	●
6	143-9066	Tray Angle Assembly	1	●	●
7	143-9067	Tray Angle Moulding Assembly	1	●	●
8	143-1680	Tray Height Extrusion Assembly	1	●	●

Mygo Stander Spare Parts - **Grab Rail**



Pos.	Leckey Sales Code	Description	Min. Order Qty	Compatible with	
				Size 1	Size 2
1	143-1649	Grab Rail Assembly	1	●	●
2	117-769	Grab Rail	1	●	●
3	143-1244	Grab Rail Spacer [Pair]	1	●	●
4	143-1245	Grab Rail Sliding Plate [Pair]	1	●	●
5	143-9083	Grab Rail Screw Kit	1	●	●
6	SF48	Elsa Locking Key M6 [Single]	2	●	●

Mygo Stander Spare Parts - Upholstery



Pos.	Lecley Sales Code	Description	Min. Order Qty	Colour Options						Compatible with	
				Orange	Blue	Pink	Black	Black Vinyl	Infection Control [Black]	Size 1	Size 2
		[Replace XX with colour]									
1	137-699-XX	Contoured Headrest Cushion & Cover with Hardware	1				-05	-05VIN		●	●
1	143-1662	Contoured Headrest Cushion & Cover with Hardware - Infection Control Black	1						[No Extension Req.]	●	●
1	137-800-XX	Contoured Headrest Cushion & Cover	1				-05	-05VIN		●	●
1	143-1787	Contoured Headrest Cushion - Infection Control	1						[No Extension Req.]	●	●
2	143-1768-XX	Shoulder Pad Cover	1	-07	-08	-09				●	●
3	143-1780-XX	Chest/Hip Lateral Wraparound Harness (Size 1)	1	-07	-08	-09				●	
3	143-2780-XX	Chest/Hip Lateral Wraparound Harness (Size 2)	1	-07	-08	-09					●
3	143-3780-XX	Chest/Hip Lateral Wraparound Harness (Size 3)	1	-07	-08	-09					●
3	143-1775-14	Chest/Hip Lateral Wraparound Harness - Infection Control Black (Size 1)	1						[No Extension Req.]	●	
3	143-2775-14	Chest/Hip Lateral Wraparound Harness - Infection Control Black (Size 2)	1						[No Extension Req.]		●
3	143-3775-14	Chest/Hip Lateral Wraparound Harness - Infection Control Black (Size 3)	1						[No Extension Req.]		●
4	143-1798-XX	Prone Derotation Hip Belt with Hardware (Size 1)	1	-07	-08	-09				●	
4	143-2798-XX	Prone Derotation Hip Belt with Hardware (Size 2)	1	-07	-08	-09					●
4	143-1783-XX	Supine Derotation Hip Belt with Hardware (Size 1)	1	-07	-08	-09				●	
4	143-2783-XX	Supine Derotation Hip Belt with Hardware (Size 2)	1	-07	-08	-09					●
5	143-1776-XX	Basic Knee Straps (Size 1)	1	-07	-08	-09			-14	●	
5	143-2776-XX	Basic Knee Straps (Size 2)	1	-07	-08	-09			-14		●
5	143-1784-XX	Split Knee Straps	1	-07	-08	-09				●	●
6	143-1790-XX	Posterior Support Cover (not shown)	1	-07	-08	-09			-14	●	●
7	143-1792-XX	Pommel Support Cover (not shown)	1	-07	-08	-09			-14	●	●



Leckey
19c Ballinderry Road
Lisburn BT28 2SA
Northern Ireland

{+44} 28 9260 0750
hello@leckey.com

LS832-01

leckey.com

