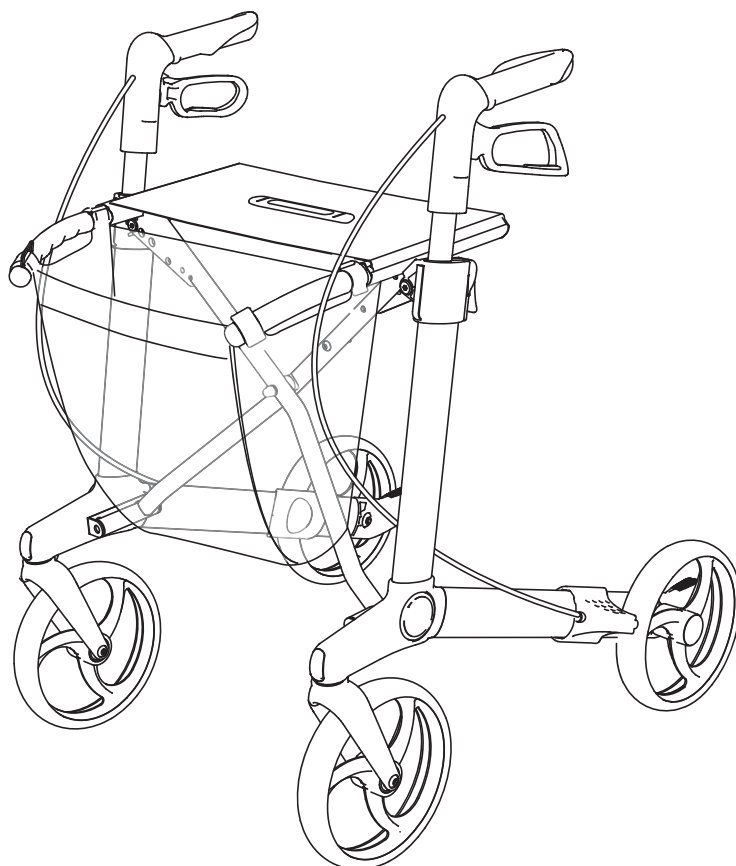


ASSEMBLY INSTRUCTION

Service kit cross brace



Description

Article number

Service kit cross brace Gemino 30, Gemino 20



7102907

Service kit cross brace Gemino 30 M, Gemino 20 M



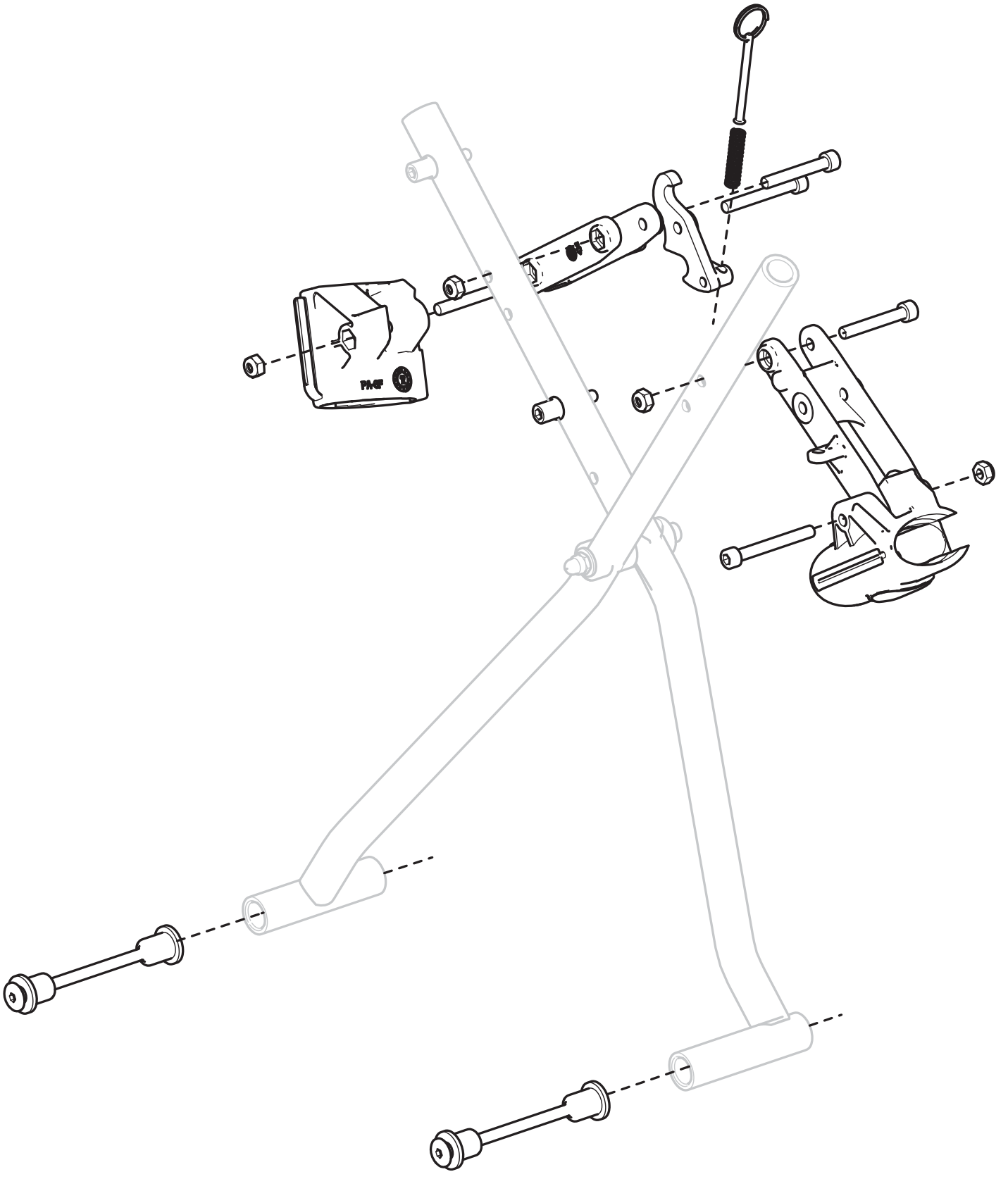
7102908

Service kit cross brace Gemino 30 S, Gemino 20 S



7102909

GEMINO





Sunrise Medical HCM B.V.
Vossenbeemd 104
5705 CL Helmond
The Netherlands

T: +31 (0)492 593 888
customerservice@sunrisemedical.nl
www.SunriseMedical.eu