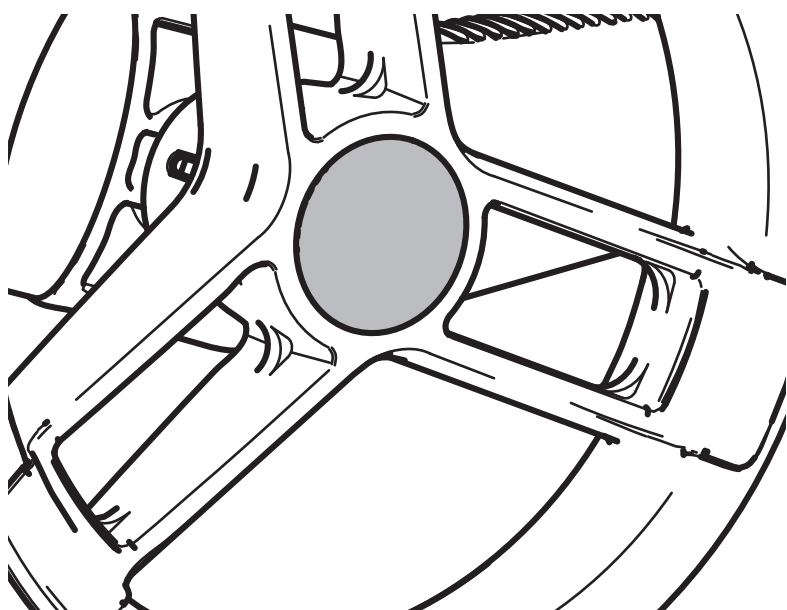


## ASSEMBLY INSTRUCTION

# Plastic cover



---

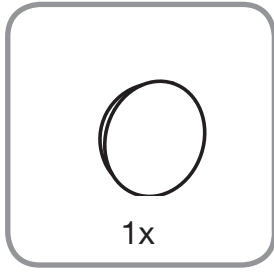
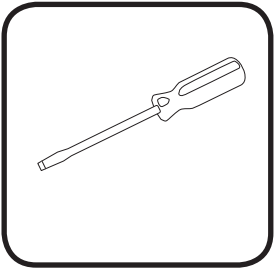
**Description**

Plastic cover, Gemino 60/60M models and Gemino 30/30M Comfort

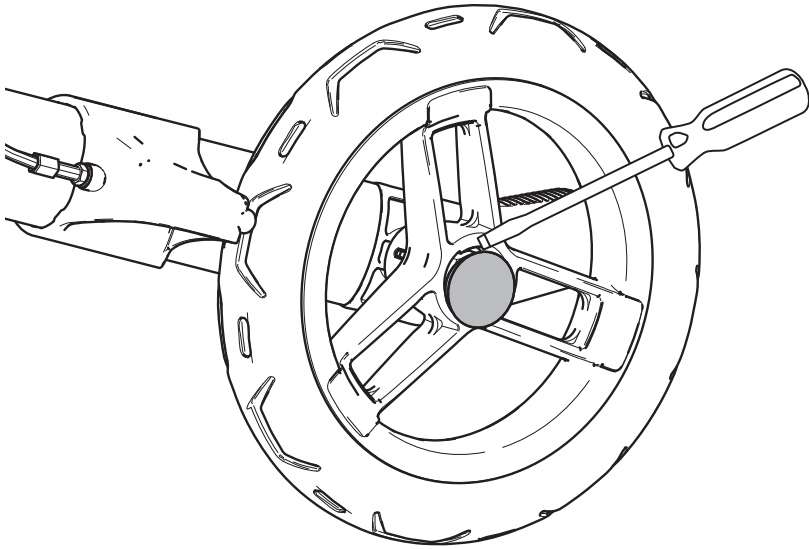
**Article number**

7167101

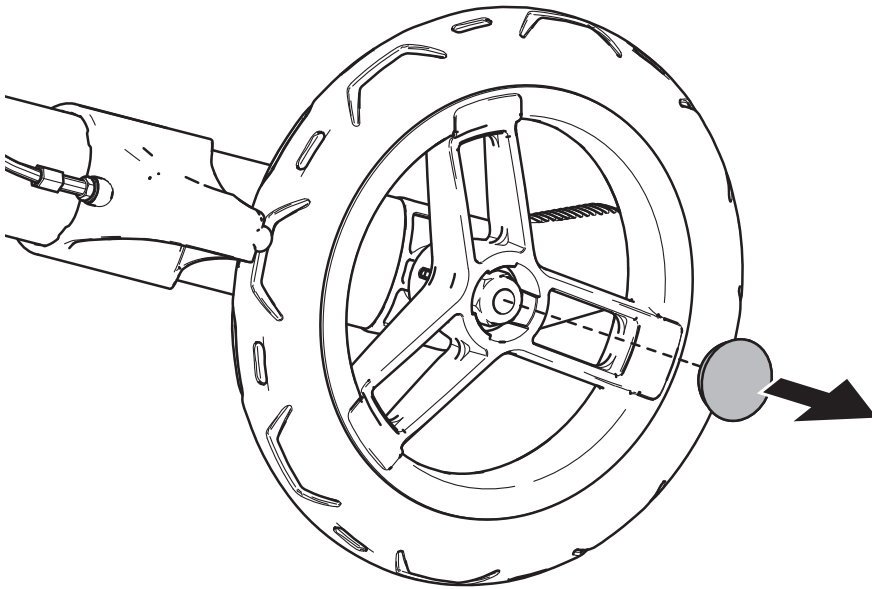
# GEMINO



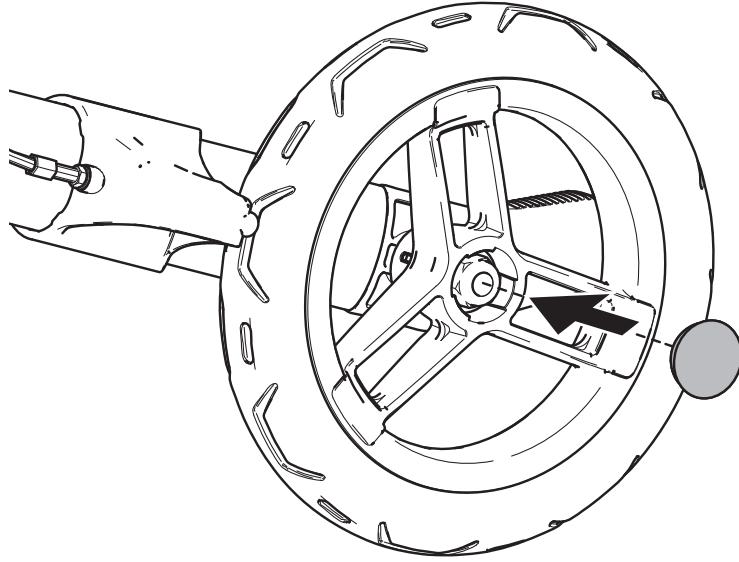
1



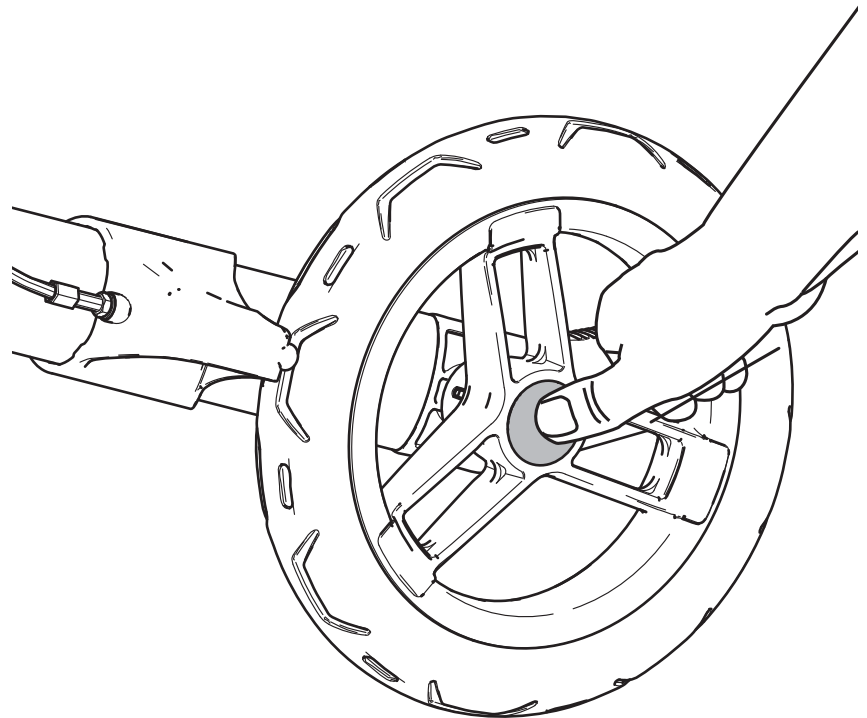
2



3



4





Sunrise Medical HCM B.V.  
Vossenbeemd 104  
5705 CL Helmond  
The Netherlands

T: +31 (0)492 593 888  
[customerservice@sunrisemedical.nl](mailto:customerservice@sunrisemedical.nl)  
[www.SunriseMedical.eu](http://www.SunriseMedical.eu)