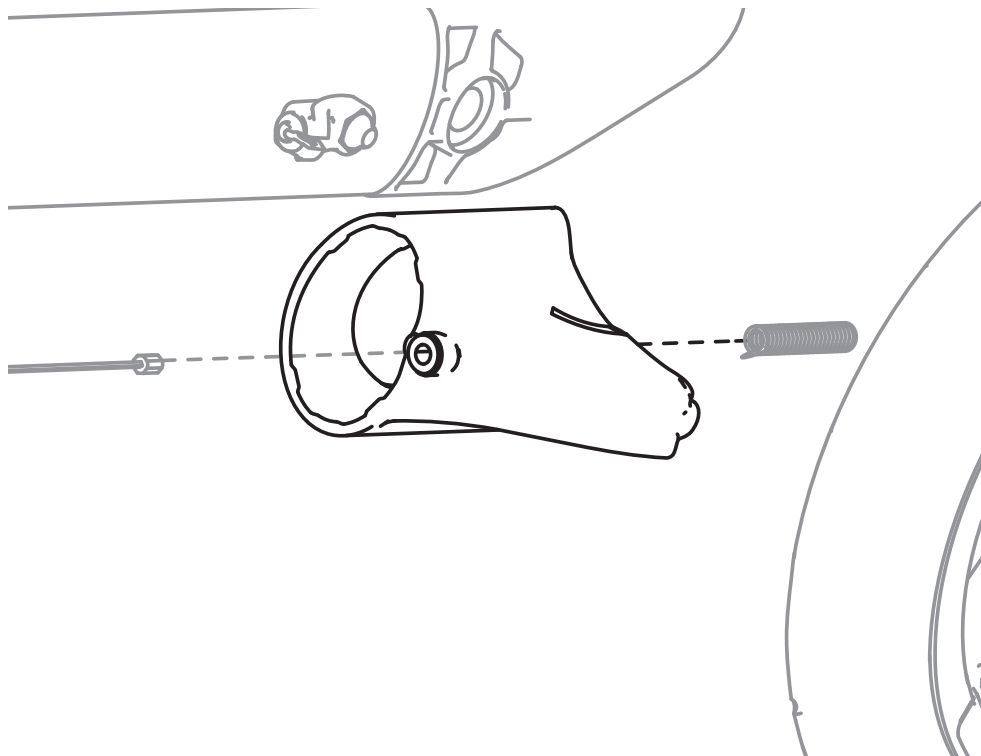


# ASSEMBLY INSTRUCTION

## Brake block



### Description

Brake block Gemino 60/60M models

### Article number

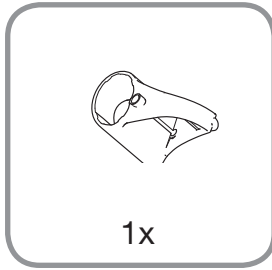
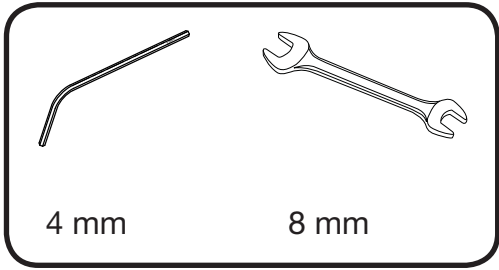
Right

7168221

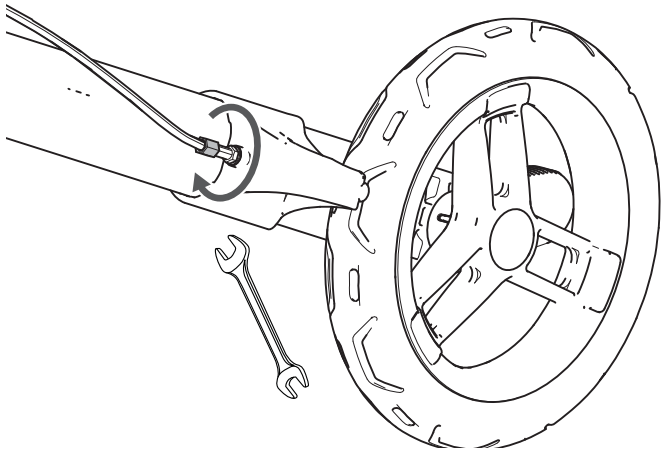
Left

7168222

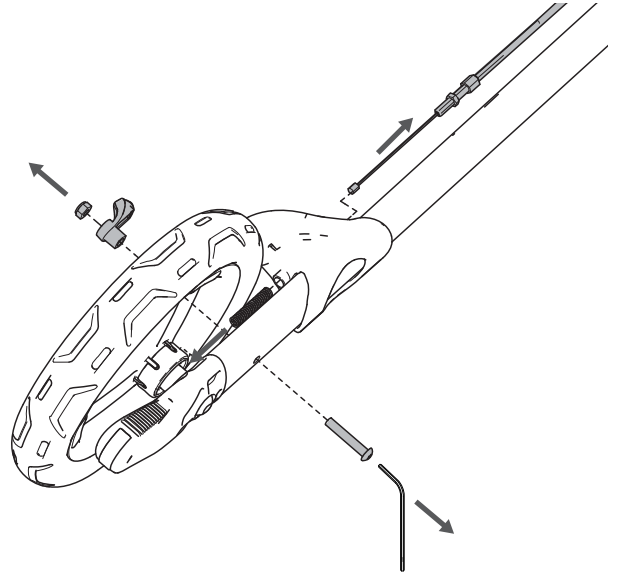
# GEMINO



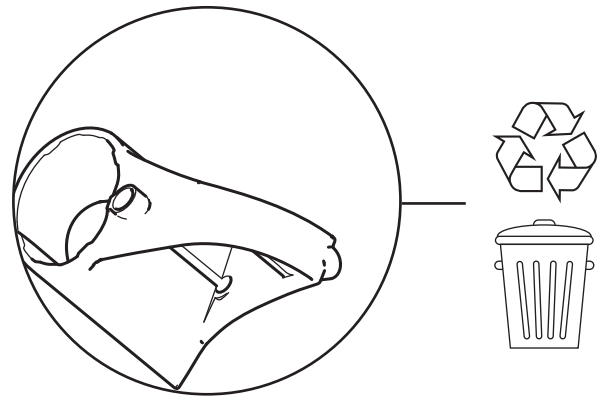
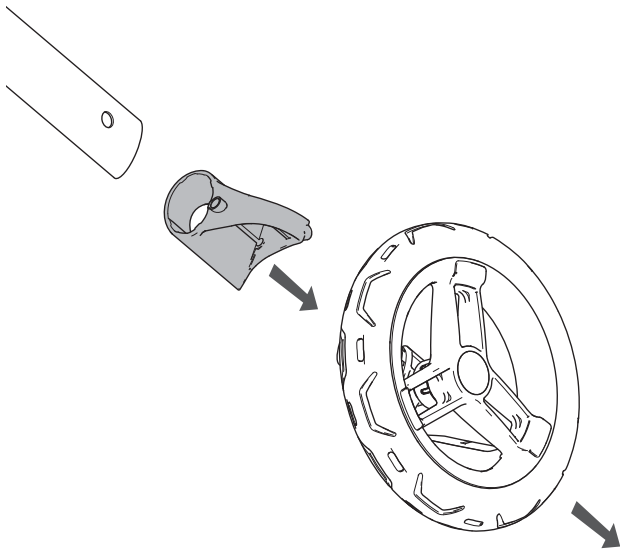
**1**



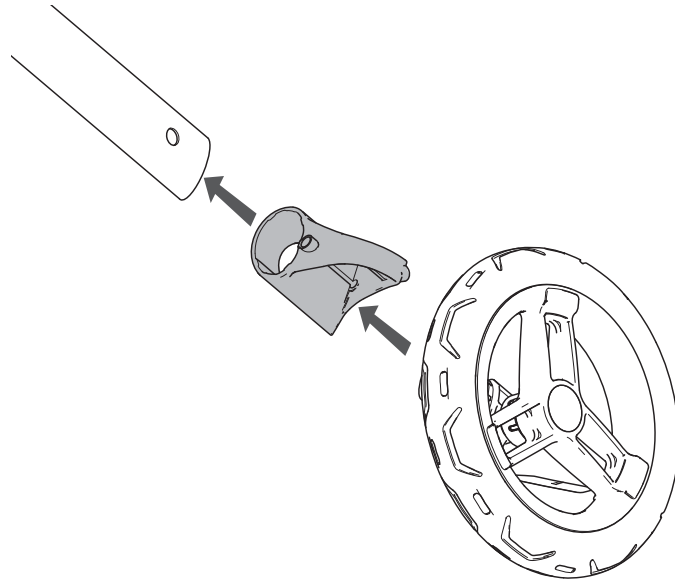
**2**



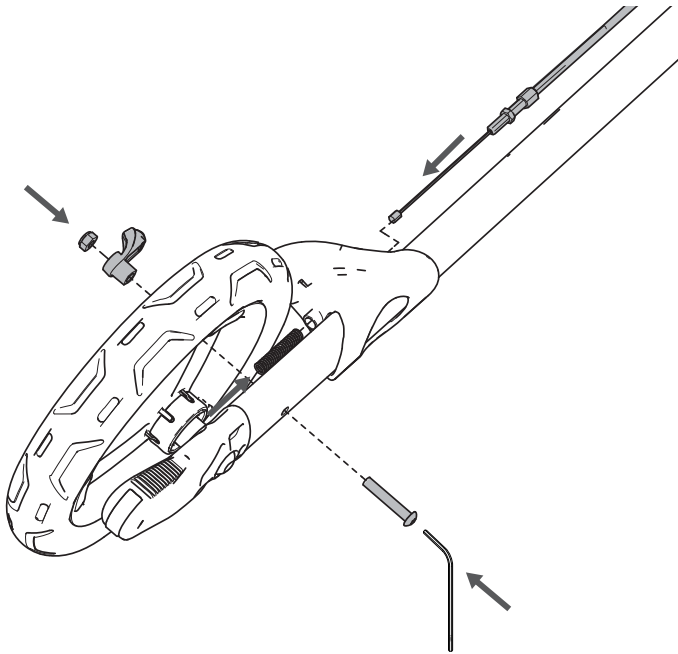
**3**



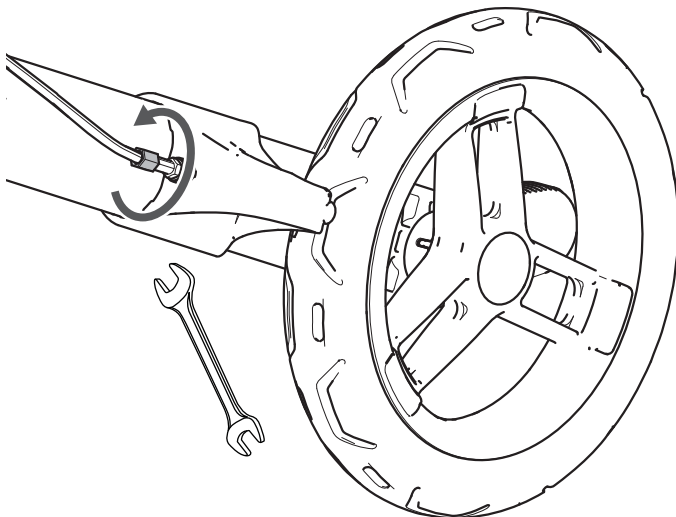
4



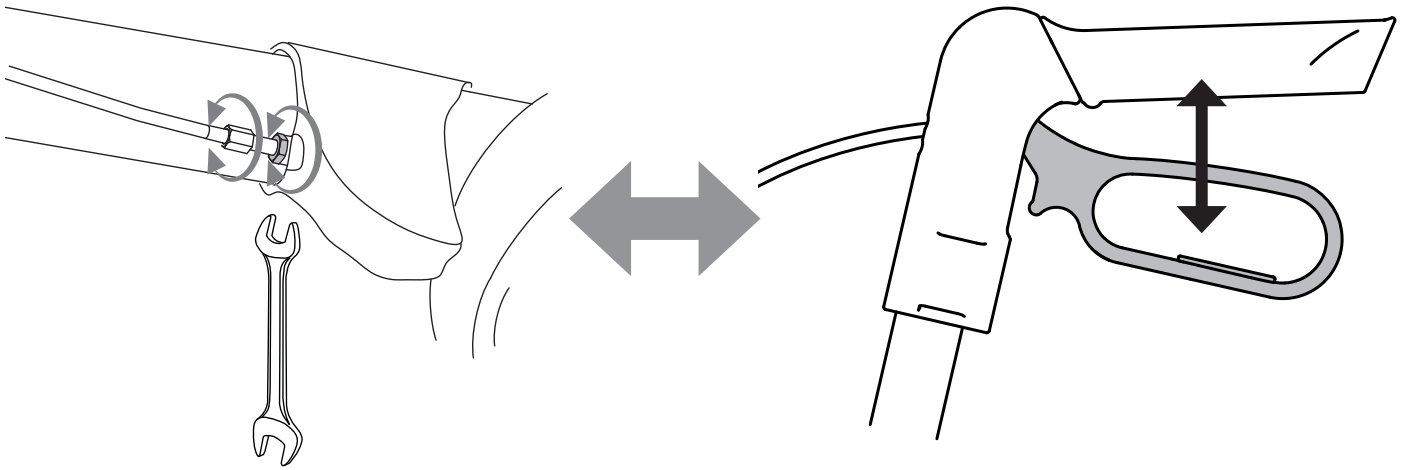
5



6



7



Sunrise Medical HCM B.V.  
Vossenbeemd 104  
5705 CL Helmond  
The Netherlands

T: +31 (0)492 593 888  
customerservice@sunrisemedical.nl  
www.SunriseMedical.eu