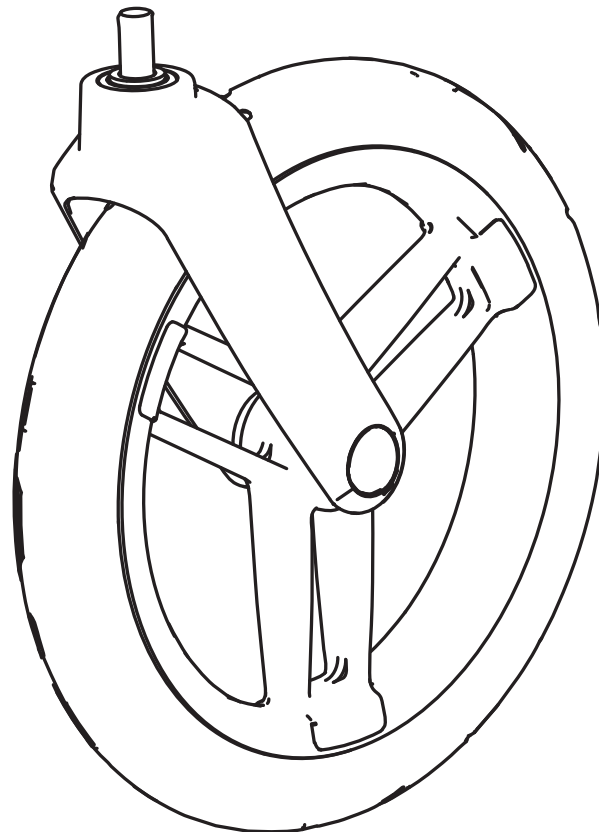


ASSEMBLY INSTRUCTION
Fork with wheel



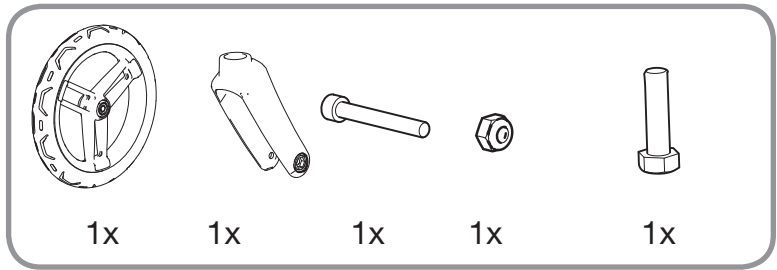
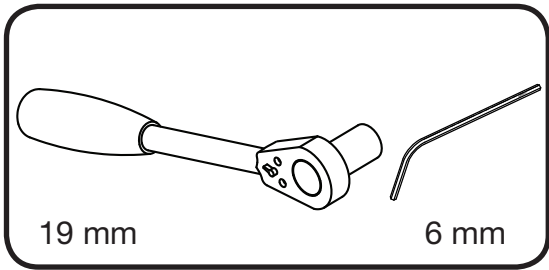
Description

Gemino Fork with wheel , Gemino 60/60M models

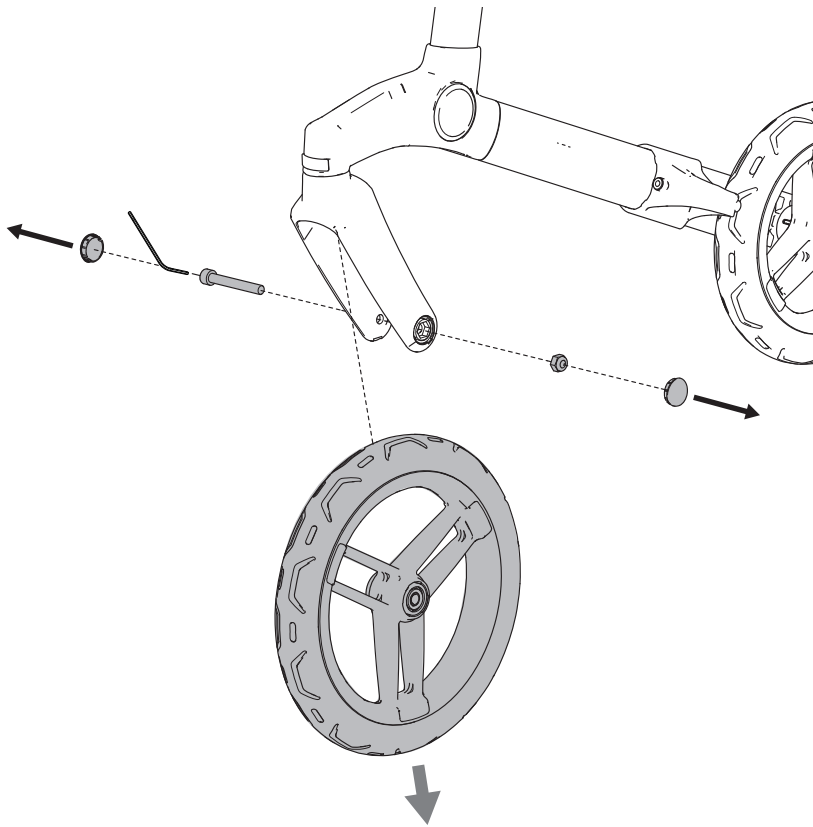
Article number

7167015

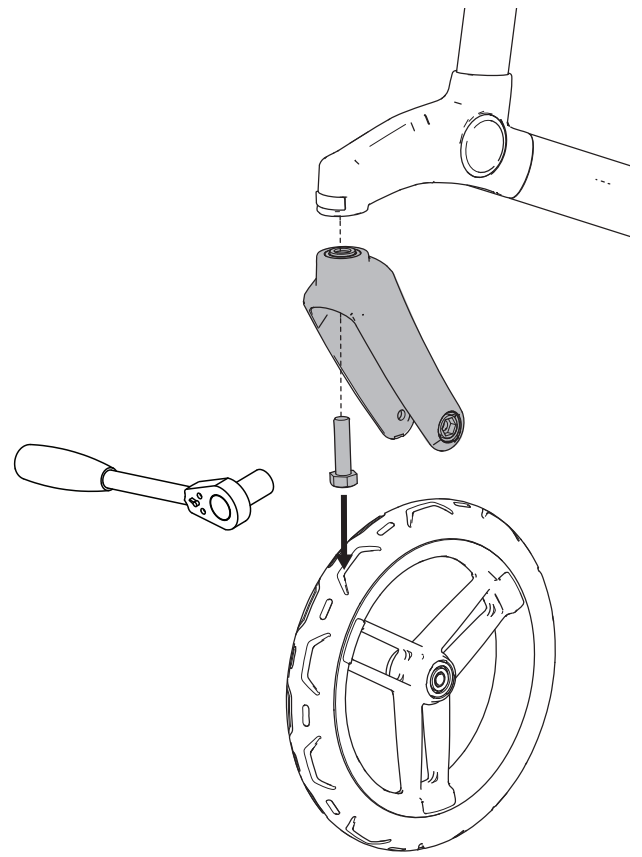
GEMINO



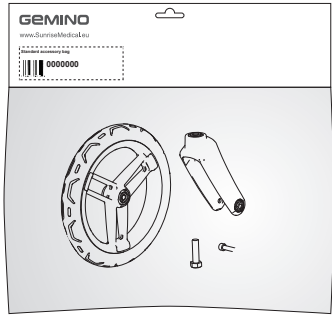
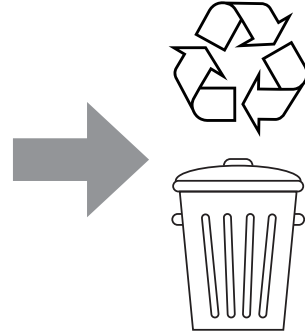
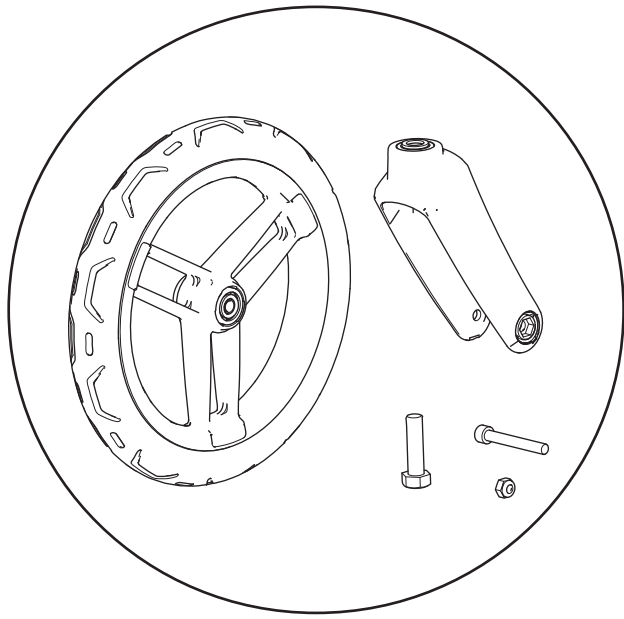
1



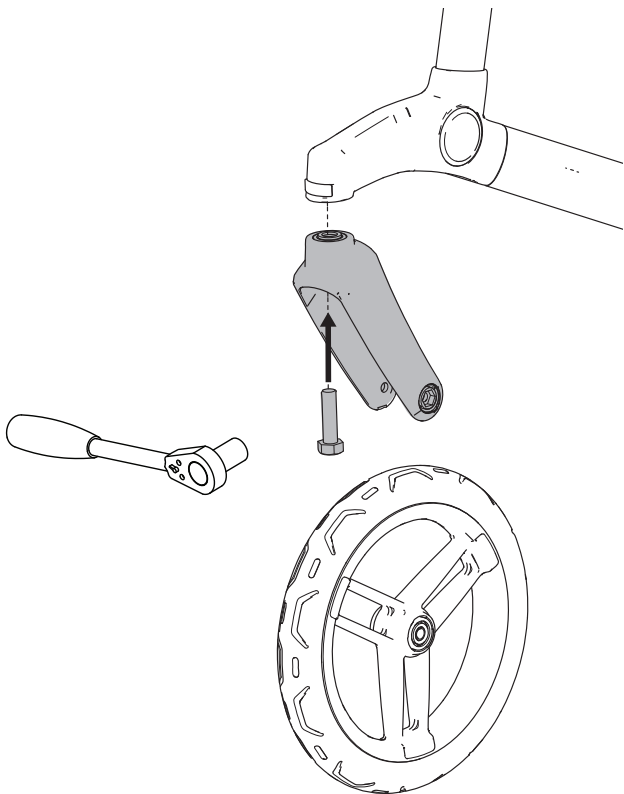
2



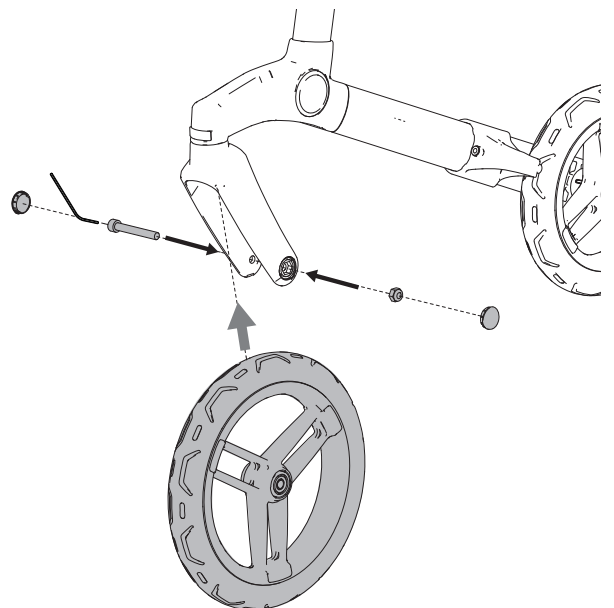
4



5



6





Sunrise Medical HCM B.V.
Vossenbeemd 104
5705 CL Helmond
The Netherlands

T: +31 (0)492 593 888
customerservice@sunrisemedical.nl
www.SunriseMedical.eu