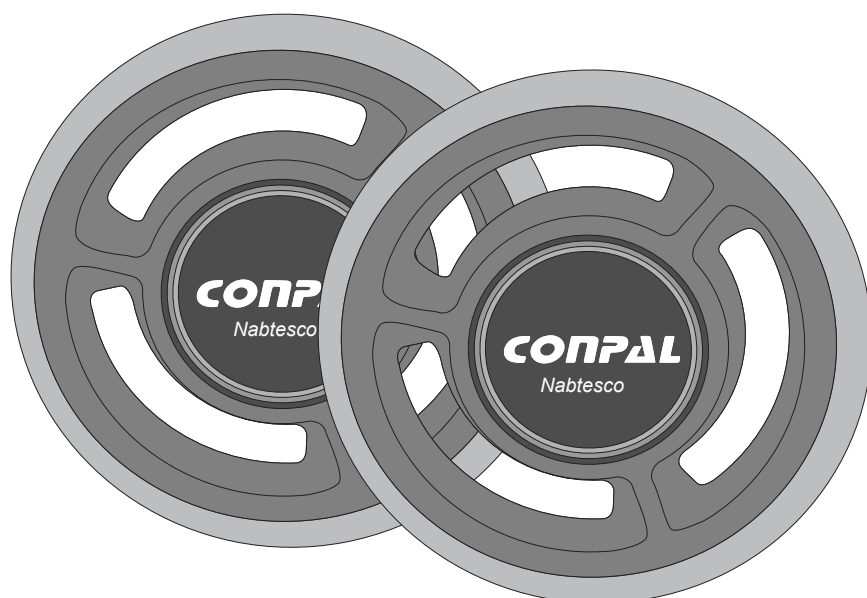


ASSEMBLY INSTRUCTION

SpeedControl



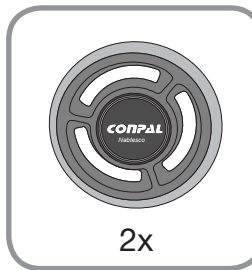
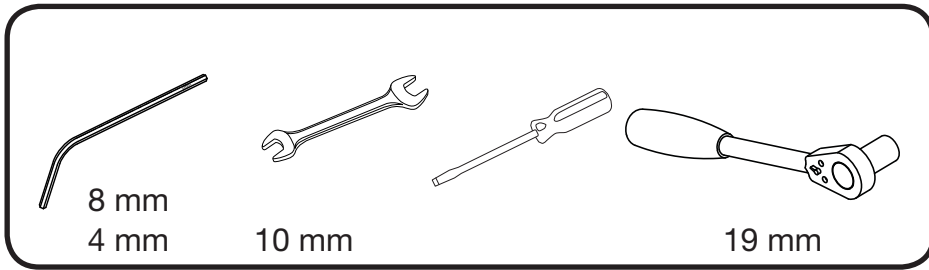
Description

SpeedControl RHS+LHS, Gemino all models except Gemino 60/60M models
and Gemino 30/30M Comfort models

Article number

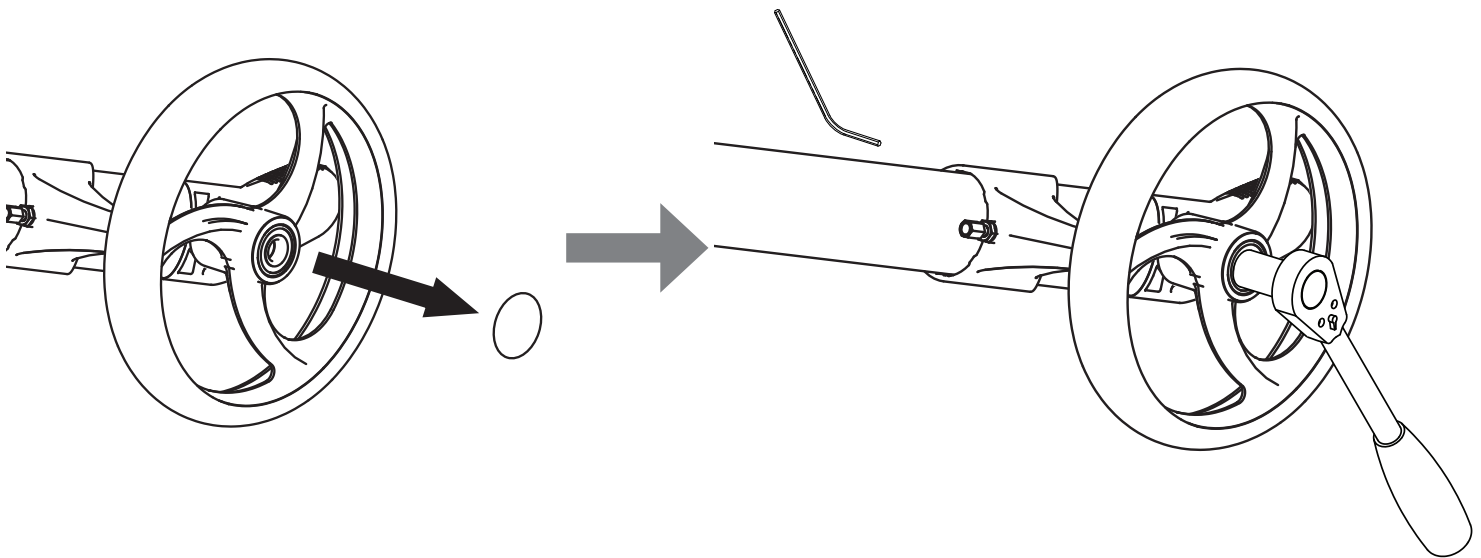
9009329

GEMINO

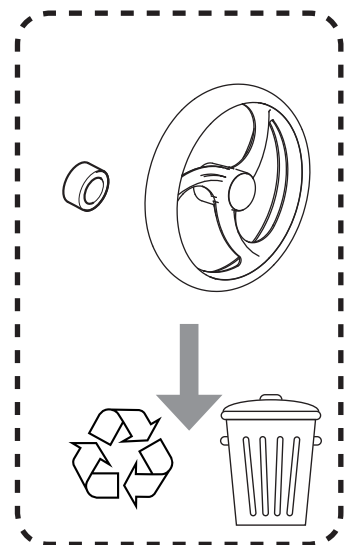
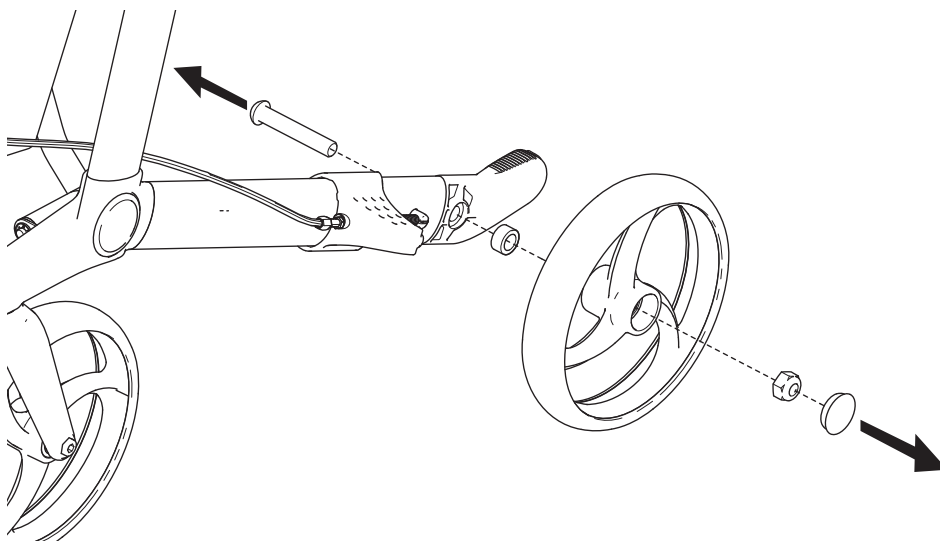


⚠ Assembly of the SpeedControl must be made by qualified specialists.

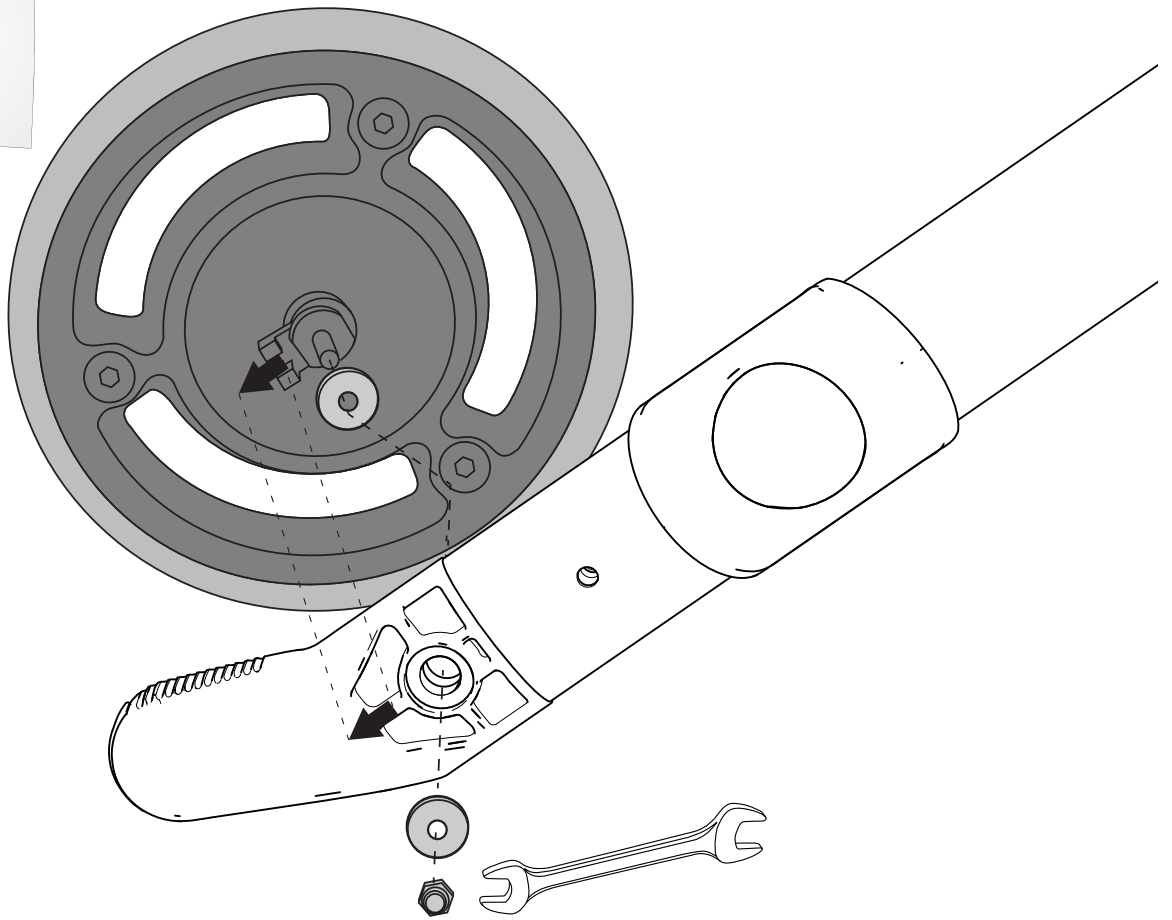
1



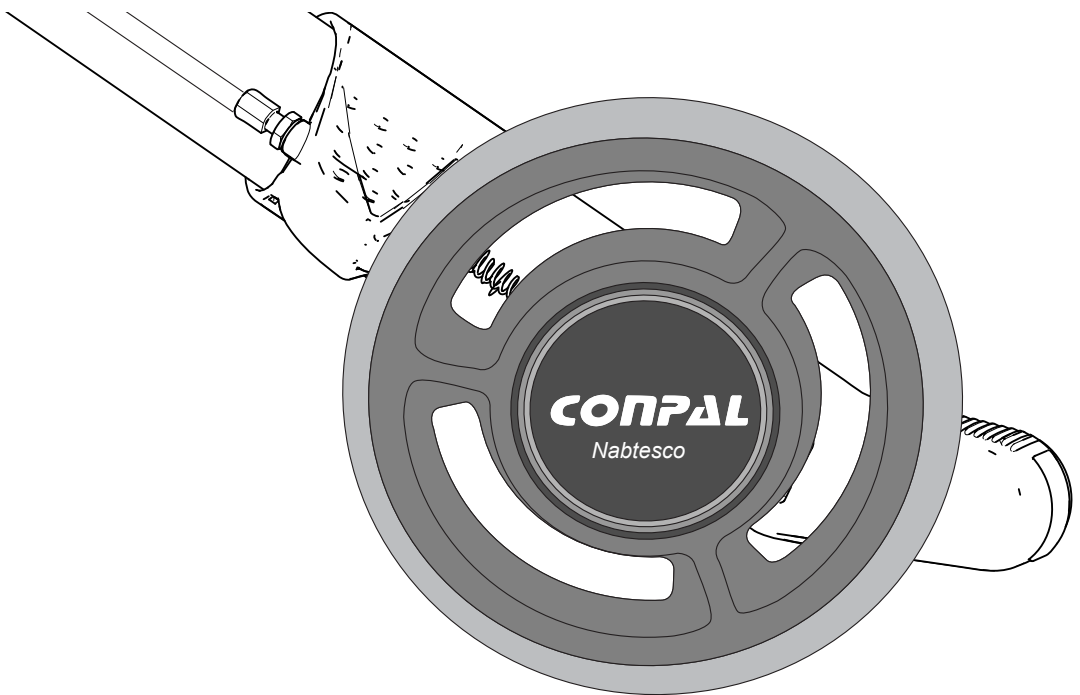
2



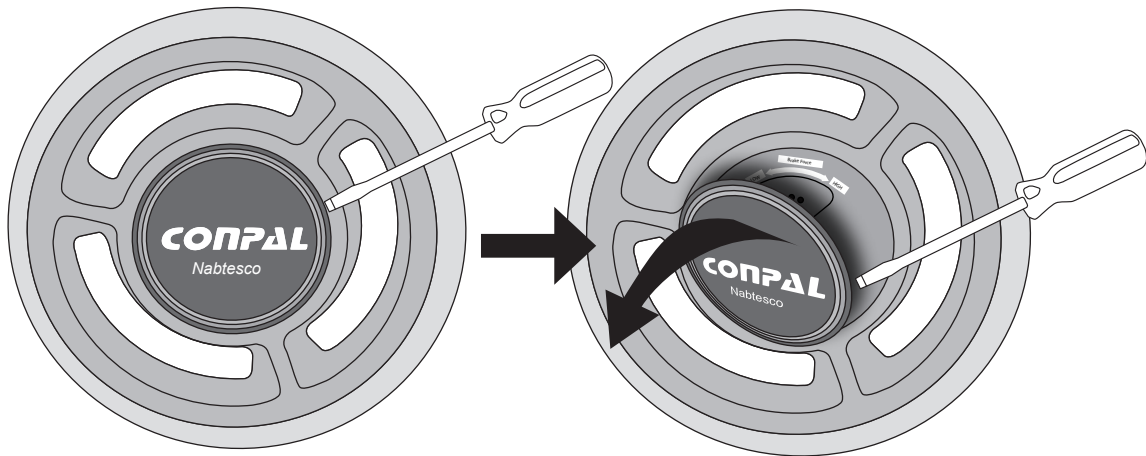
3



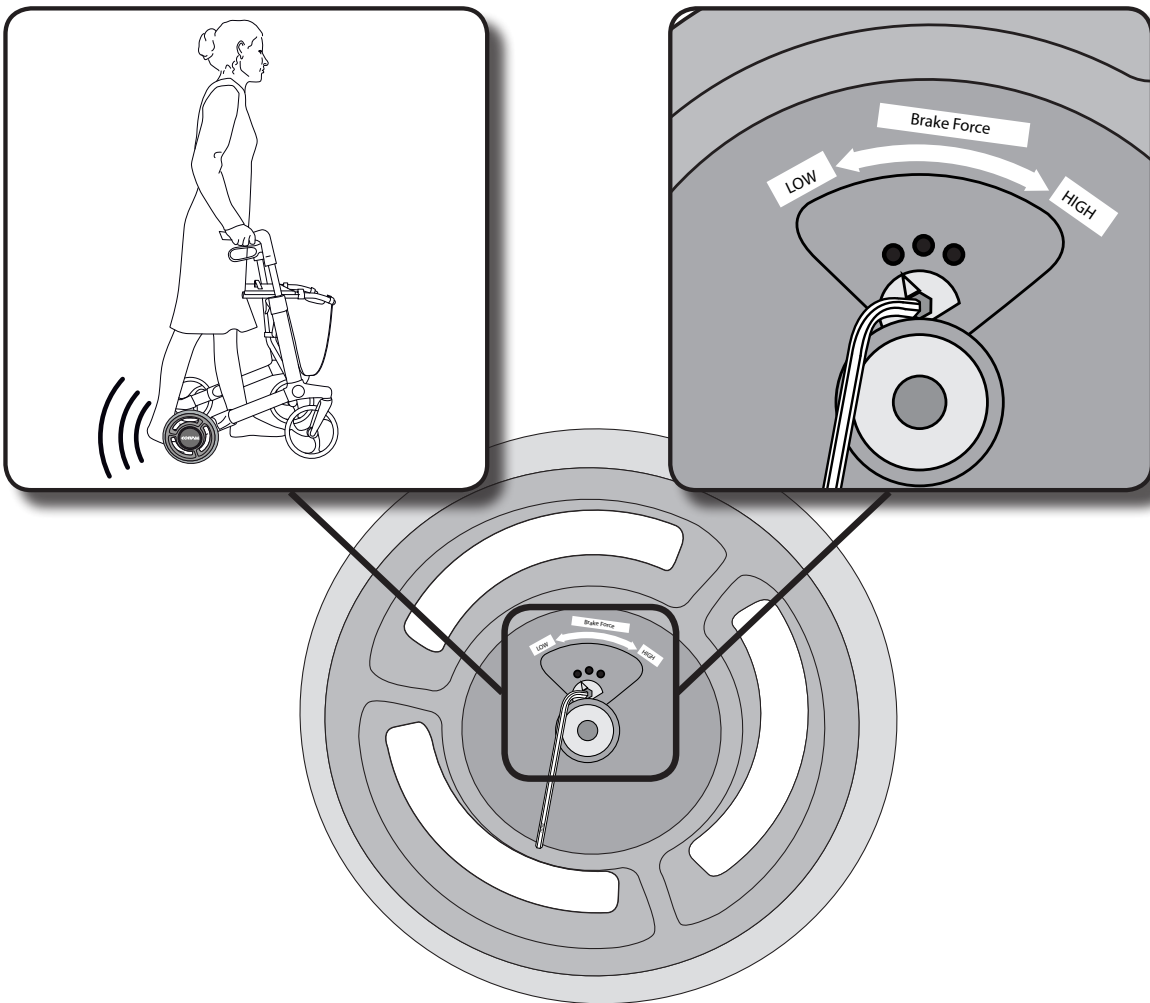
4



5



6



Sunrise Medical HCM B.V.
Vossenbeemd 104
5705 CL Helmond
The Netherlands

T: +31 (0)492 593 888
customerservice@sunrisemedical.nl
www.SunriseMedical.eu