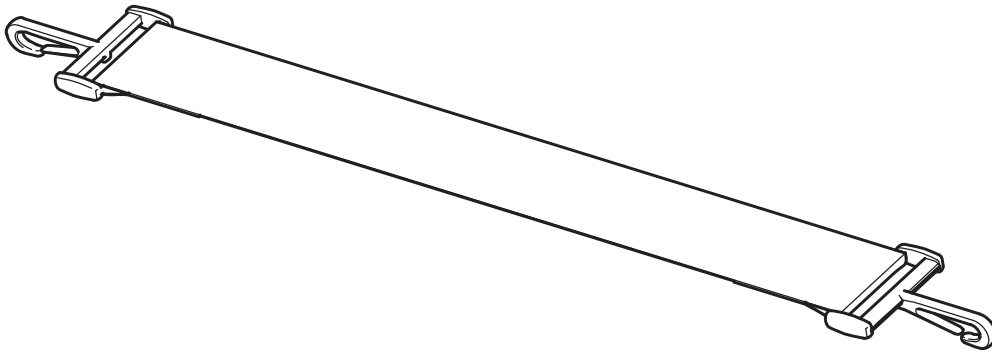


## ASSEMBLY INSTRUCTION

# Stabilizer strap



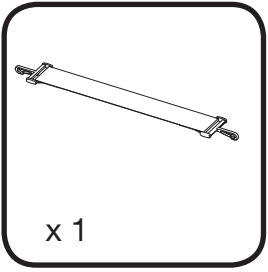
### Description

Stabilizer strap, Gemino 30/30M Walker, Gemino 60/60M Walker

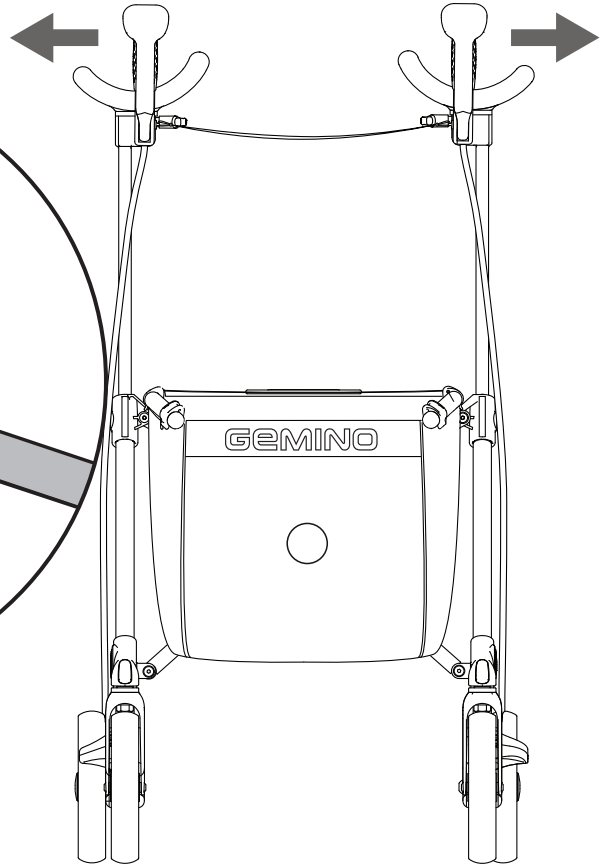
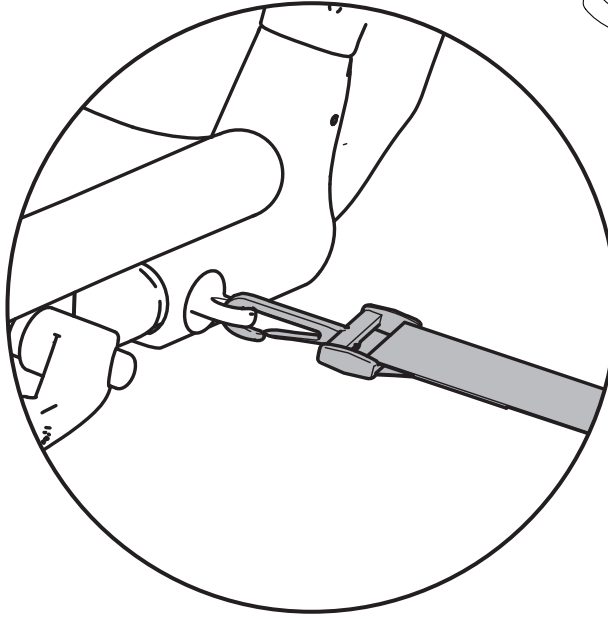
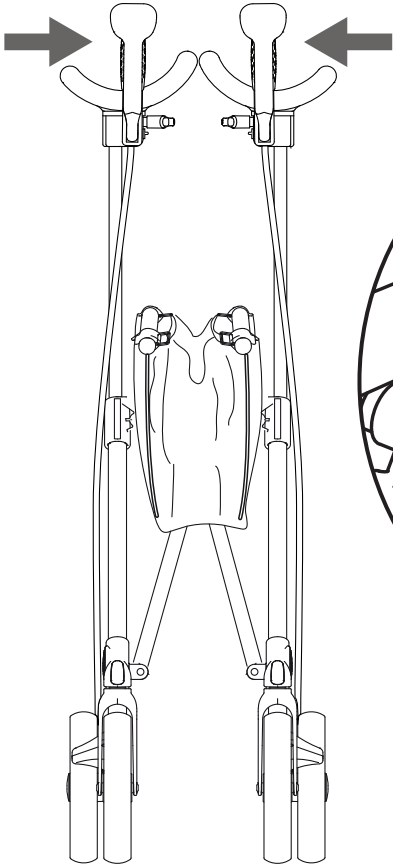
### Article number

7106109

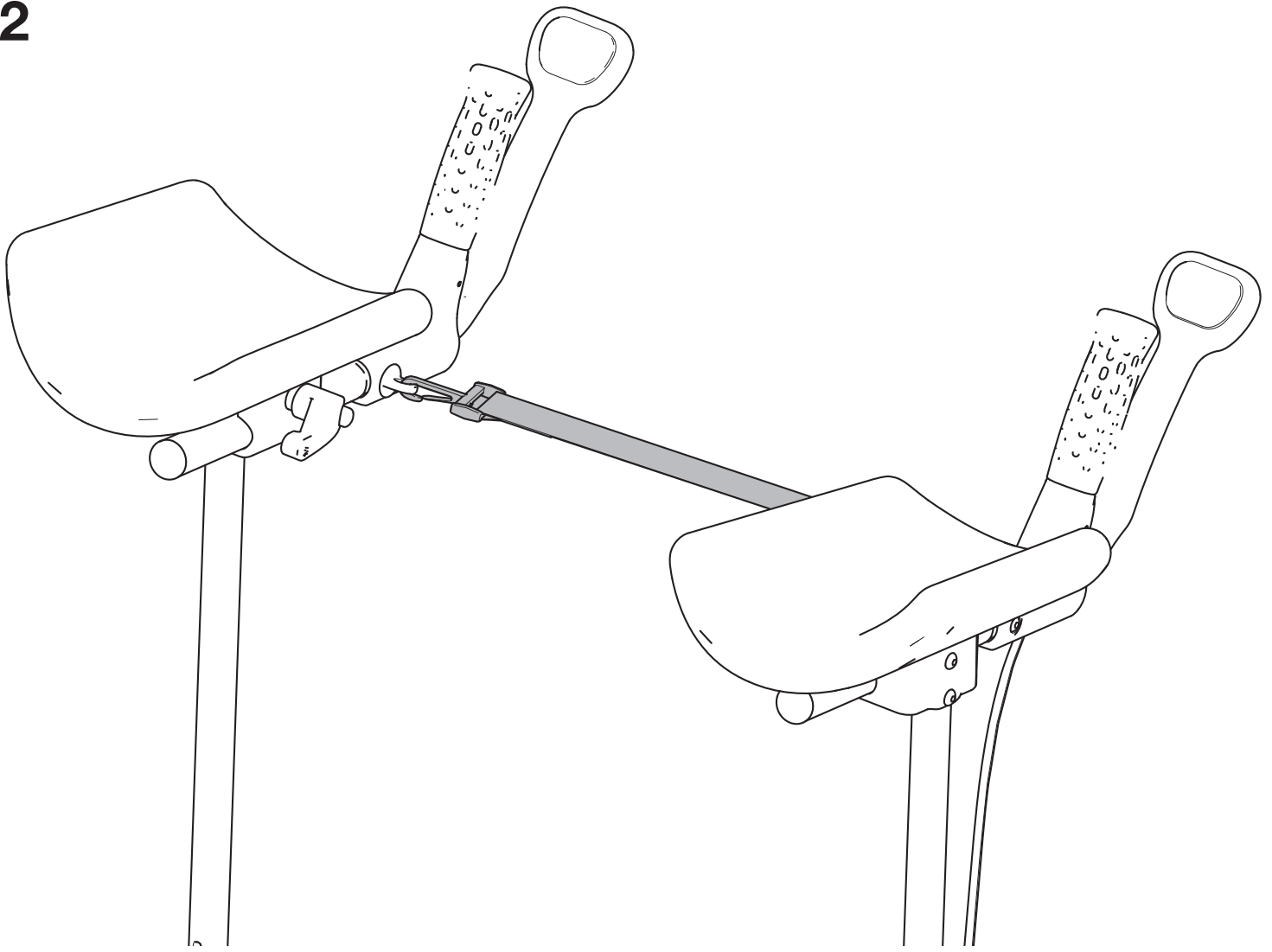
# GEMINO



1



2





Sunrise Medical HCM B.V.  
Vossenbeemd 104  
5705 CL Helmond  
The Netherlands

T: +31 (0)492 593 888  
[customerservice@sunrisemedical.nl](mailto:customerservice@sunrisemedical.nl)  
[www.SunriseMedical.eu](http://www.SunriseMedical.eu)