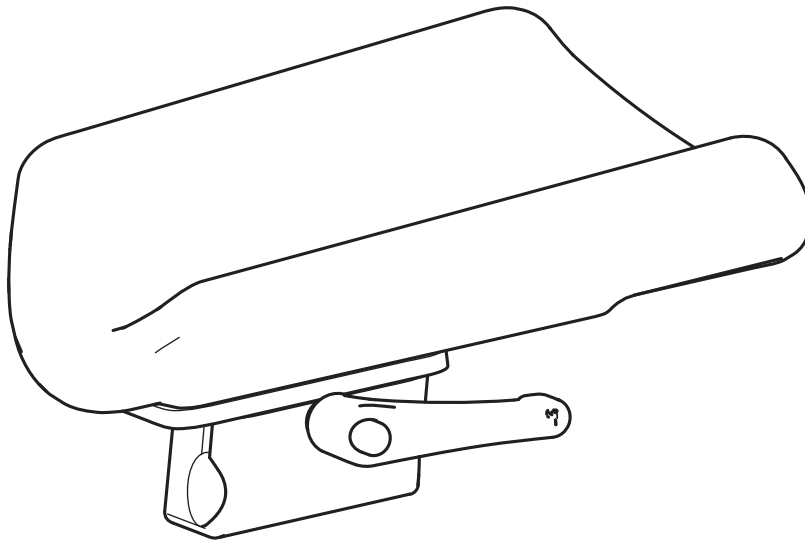


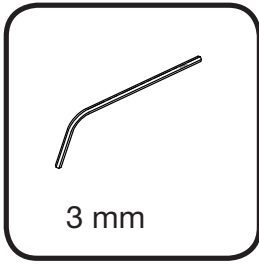
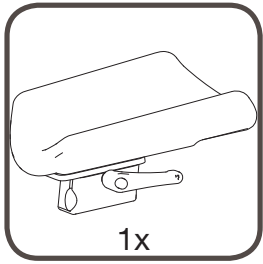
## ASSEMBLY INSTRUCTION

# Pad for underarm support, with fixation

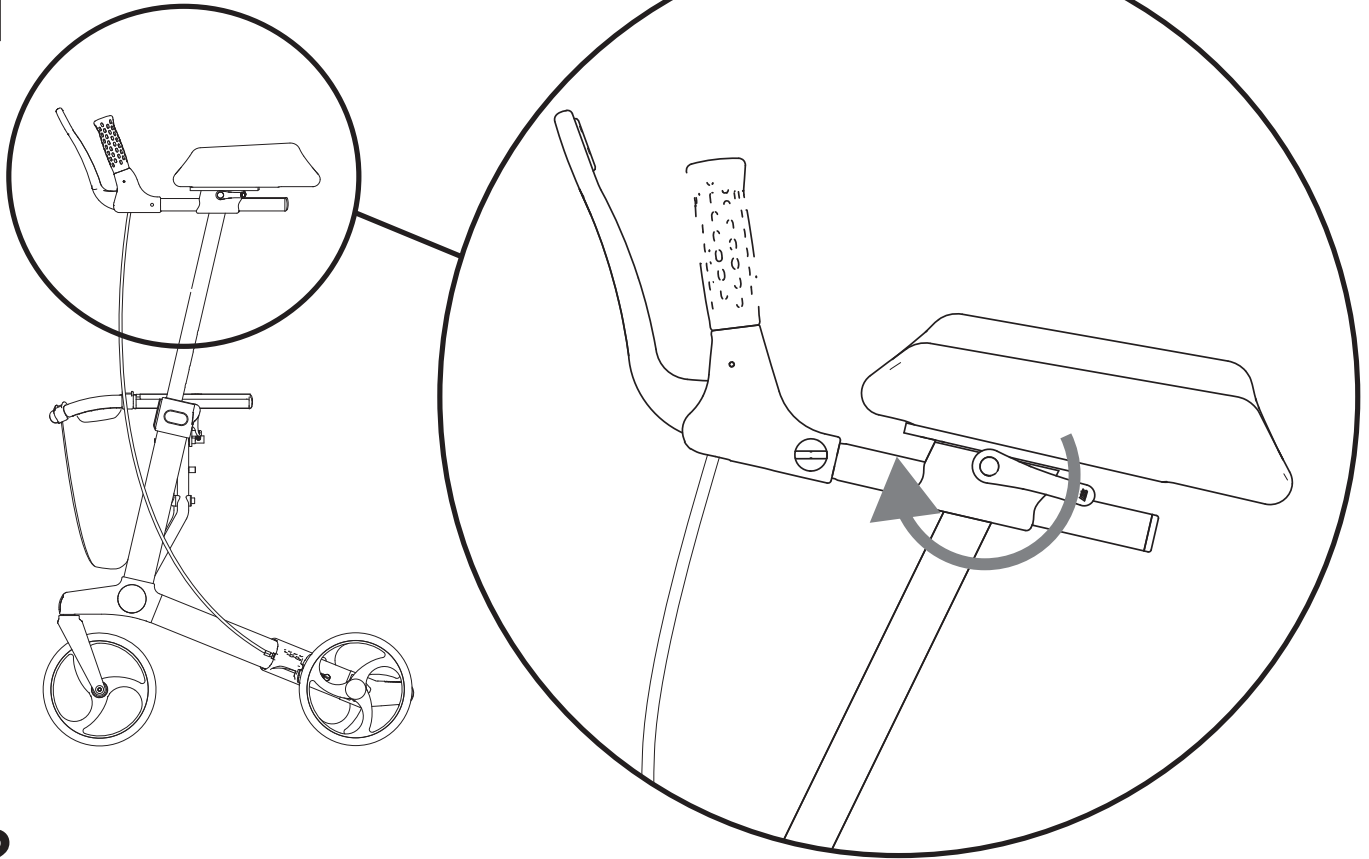


Description	Article number
Pad for underarm support with fixation RHS, Gemino 30/30M Walker	<input type="checkbox"/> 7106201
Pad for underarm support with fixation LHS, Gemino 30/30M Walker	<input type="checkbox"/> 7106202

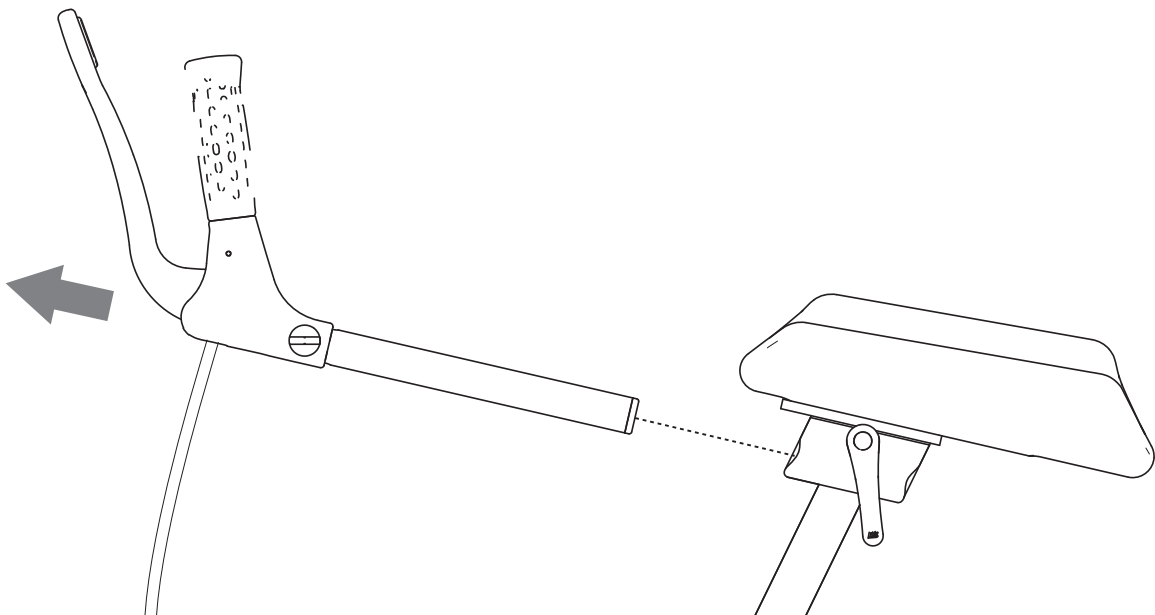
# GEMINO



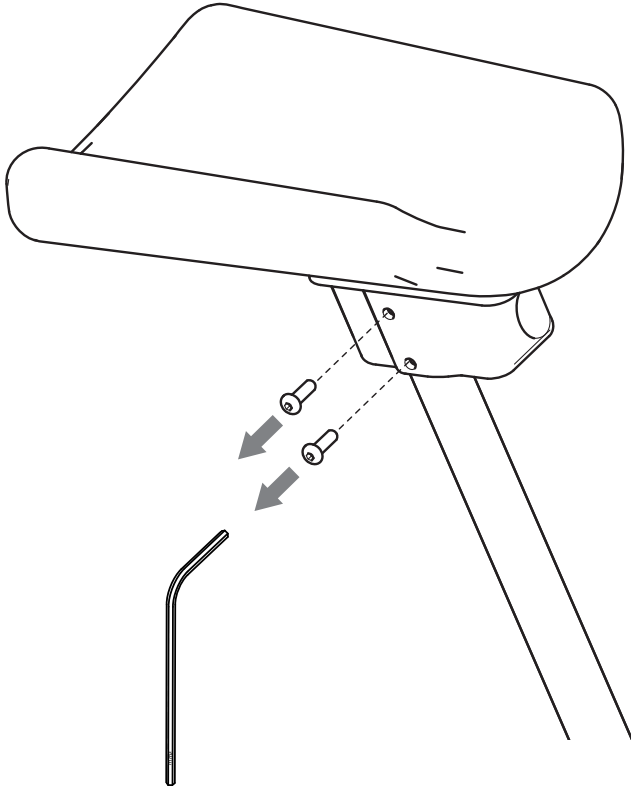
1



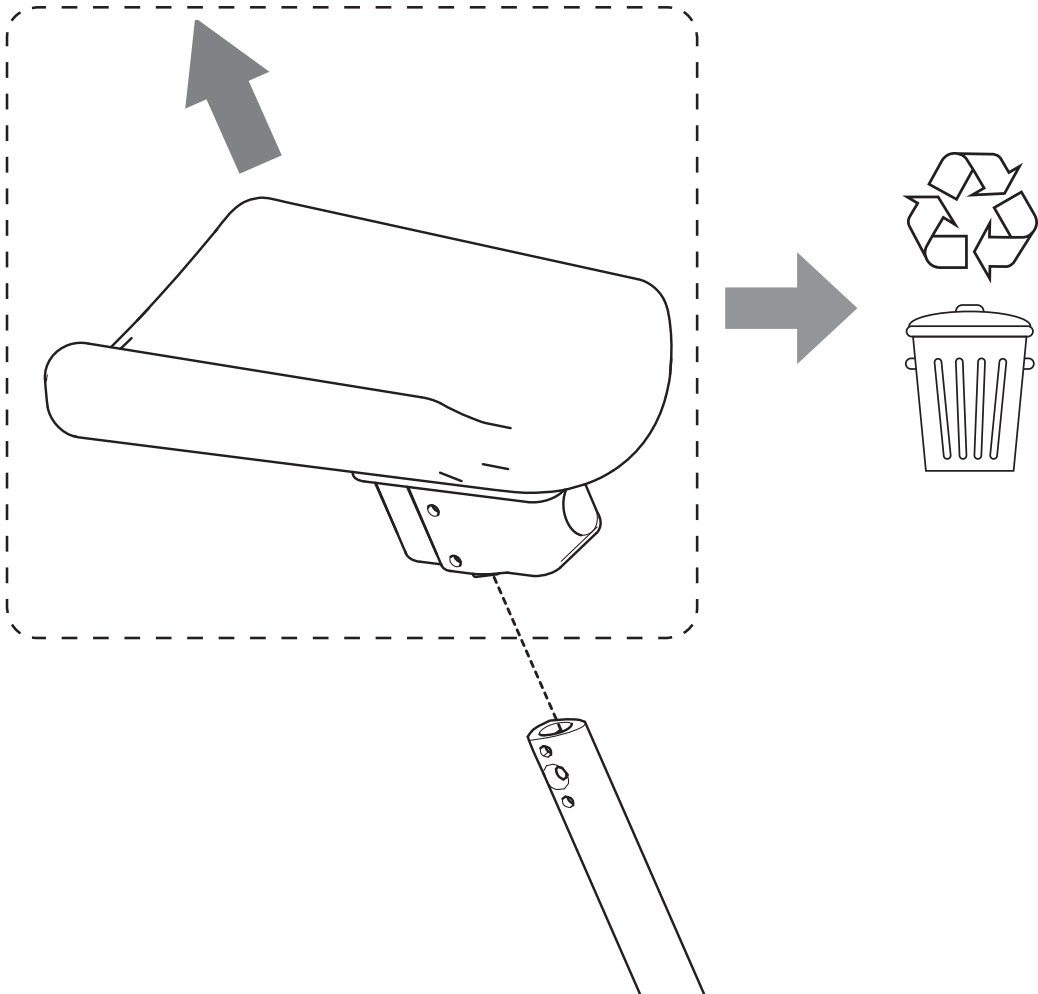
2



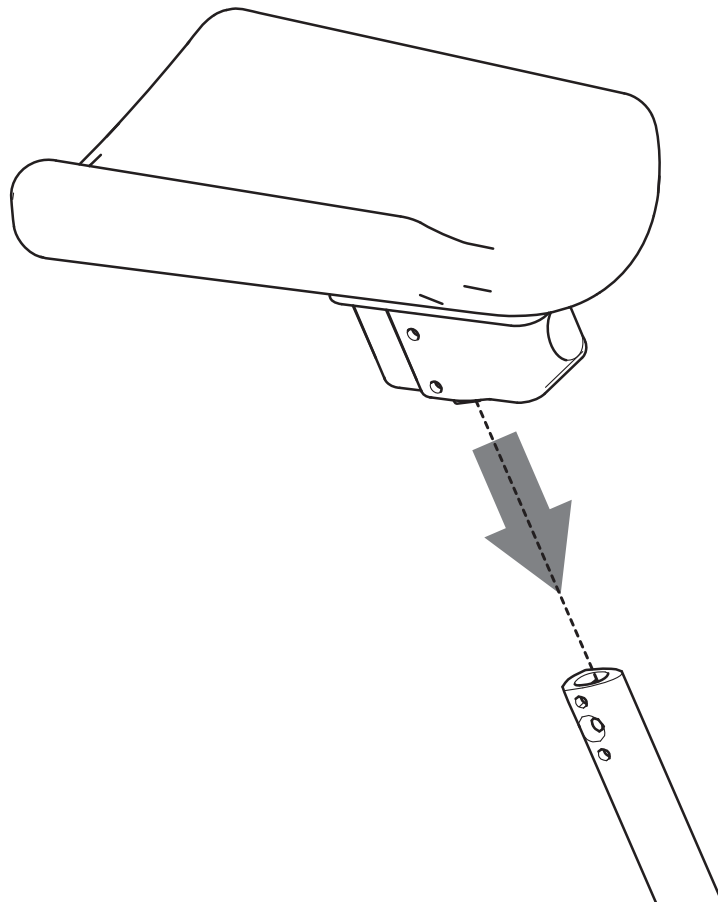
3



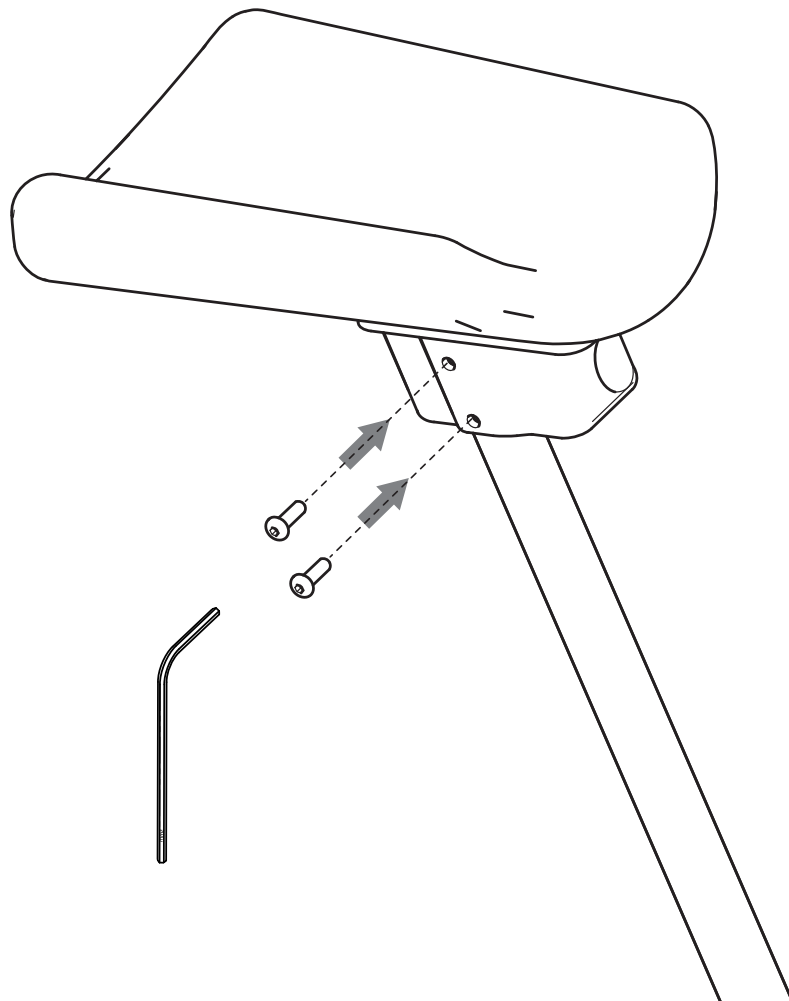
4



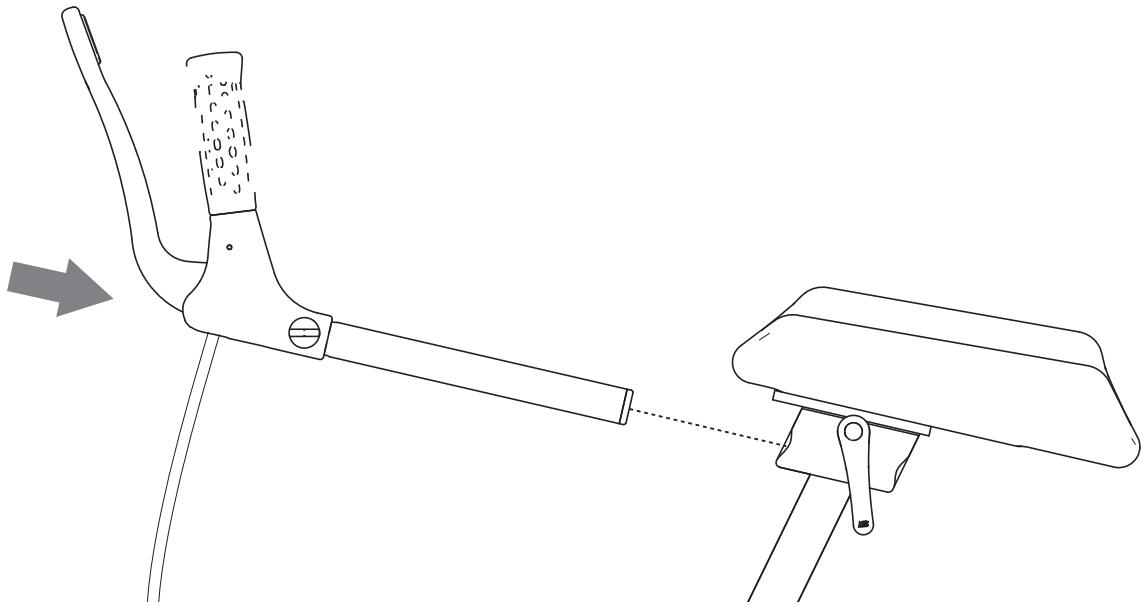
5



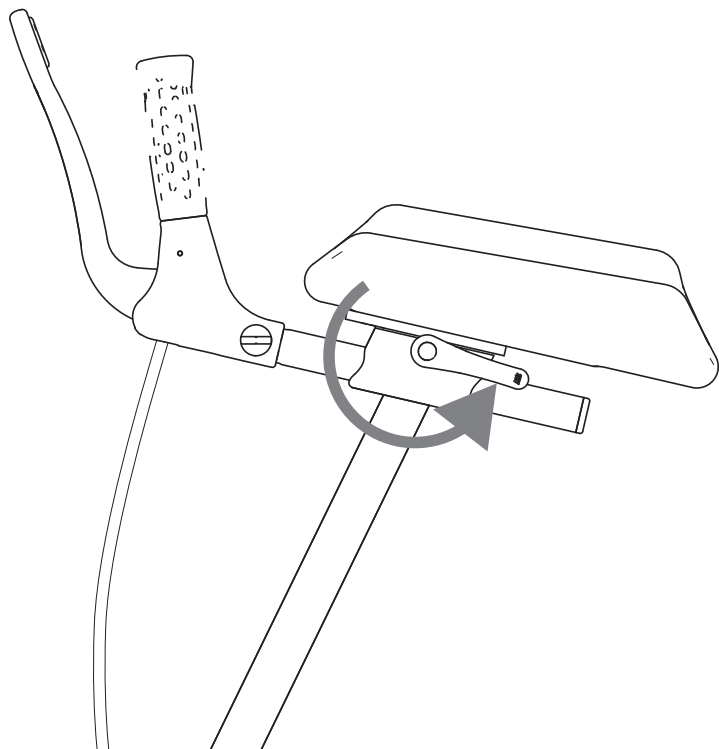
6

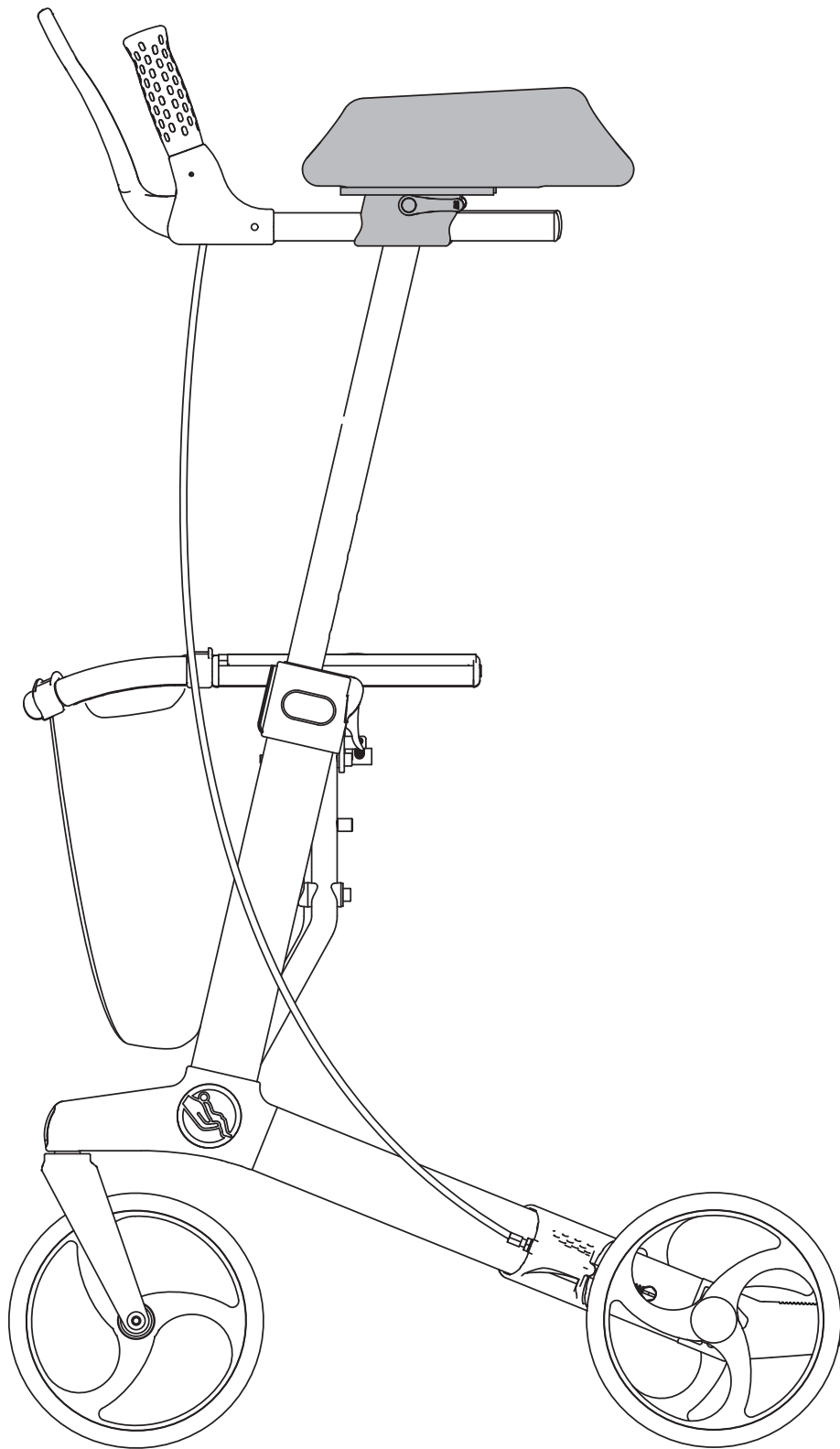


7



8









Sunrise Medical HCM B.V.  
Vossenbeemd 104  
5705 CL Helmond  
The Netherlands

T: +31 (0)492 593 888  
[customerservice@sunrisemedical.nl](mailto:customerservice@sunrisemedical.nl)  
[www.SunriseMedical.eu](http://www.SunriseMedical.eu)