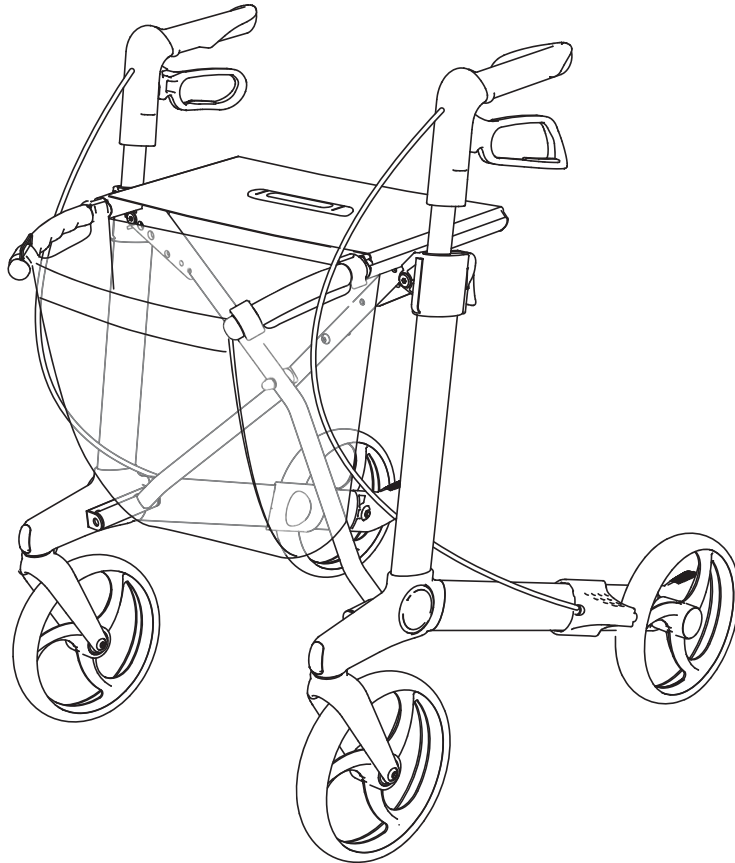


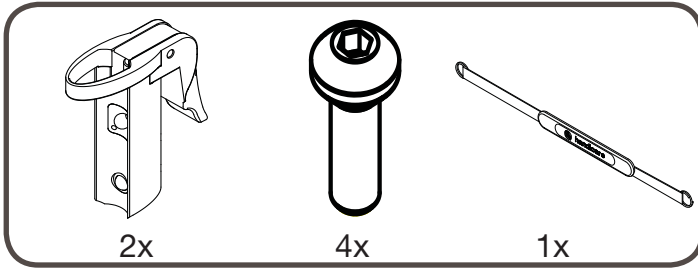
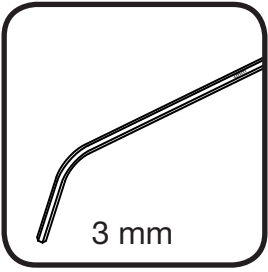
## ASSEMBLY INSTRUCTION

# Service kit - seat and push handles

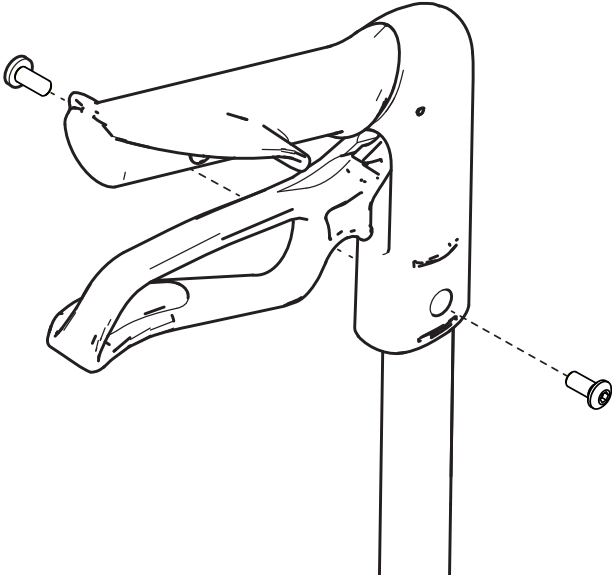


Description	Article number
Service kit, Gemino 30 models, Gemino 20	<input type="checkbox"/> 7109802
Service kit, Gemino 30M models, Gemino 20M	<input type="checkbox"/> 7109804
Service kit, Gemino 30S, Gemino 20S	<input type="checkbox"/> 7109805

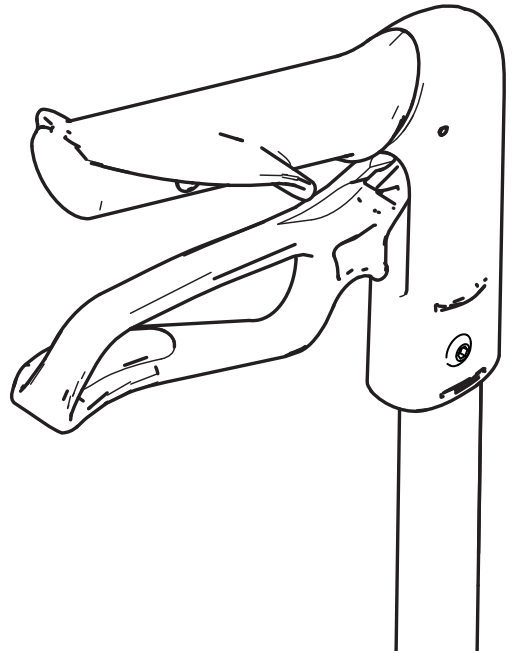
# GEMINO



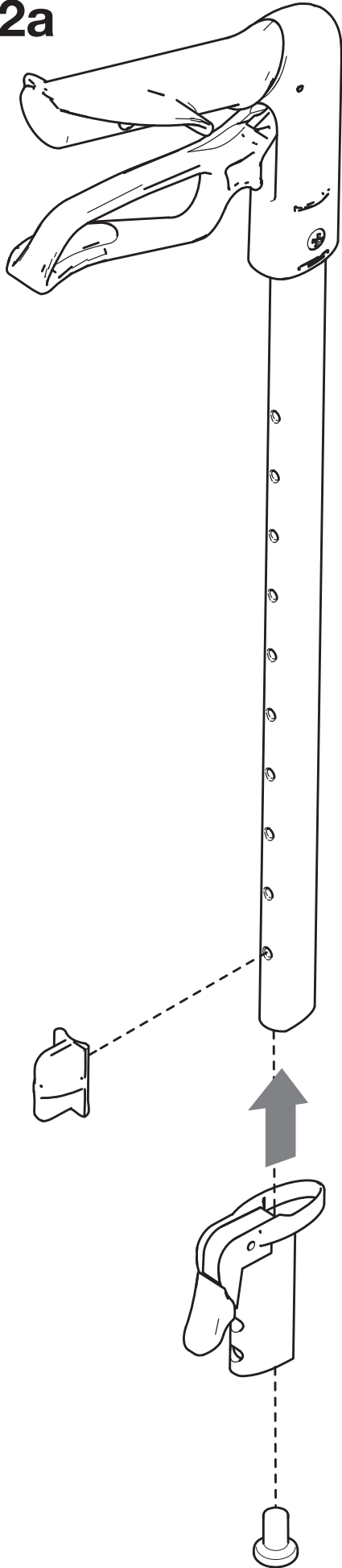
**1a**



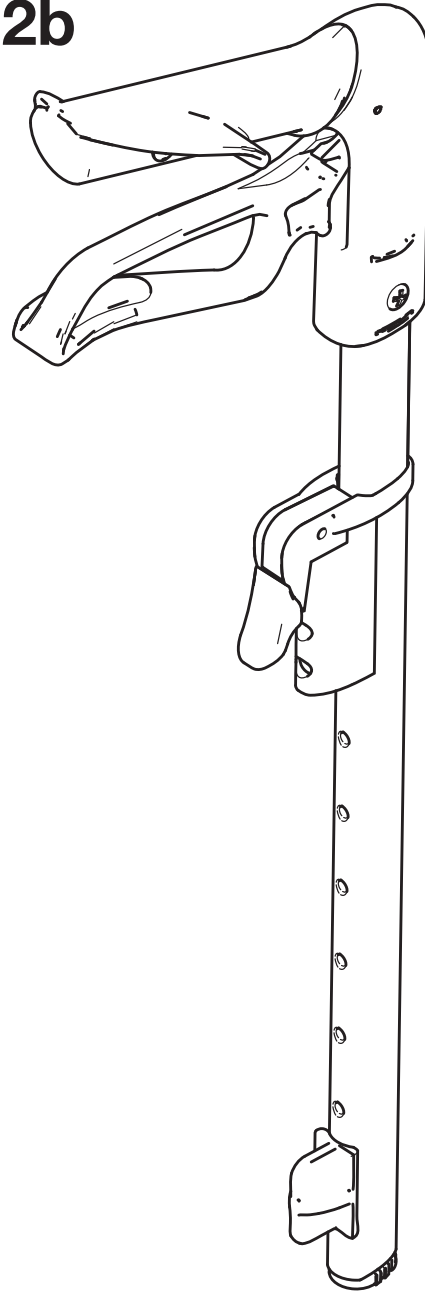
**1b**



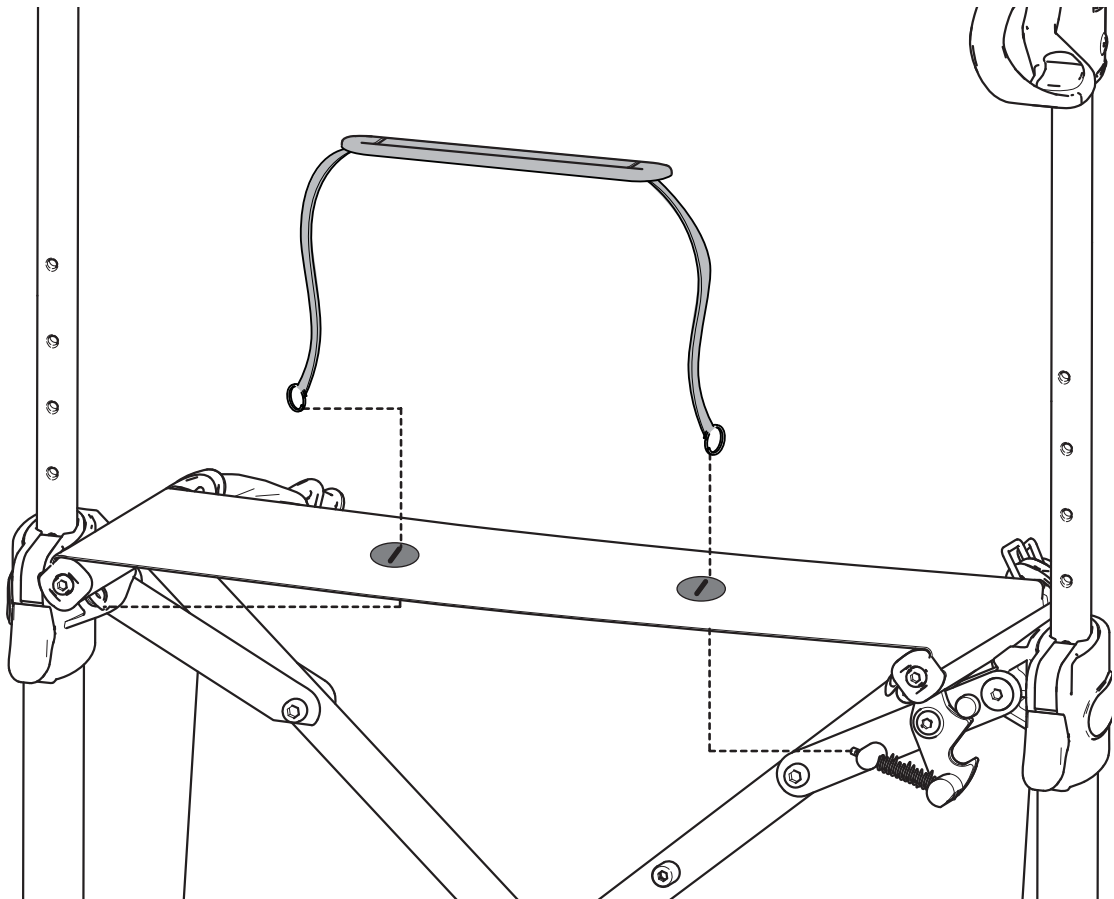
2a



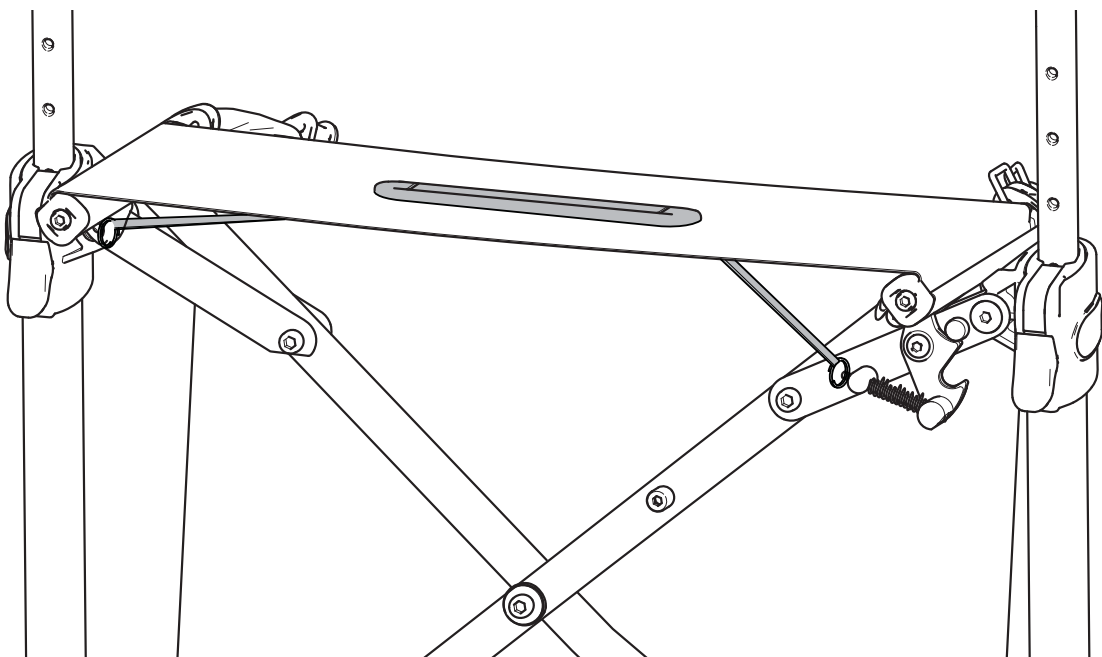
2b



**3a**



**3b**



Sunrise Medical HCM B.V.  
Vossenbeemd 104  
5705 CL Helmond  
The Netherlands

T: +31 (0)492 593 888  
customerservice@sunrisemedical.nl  
www.SunriseMedical.eu