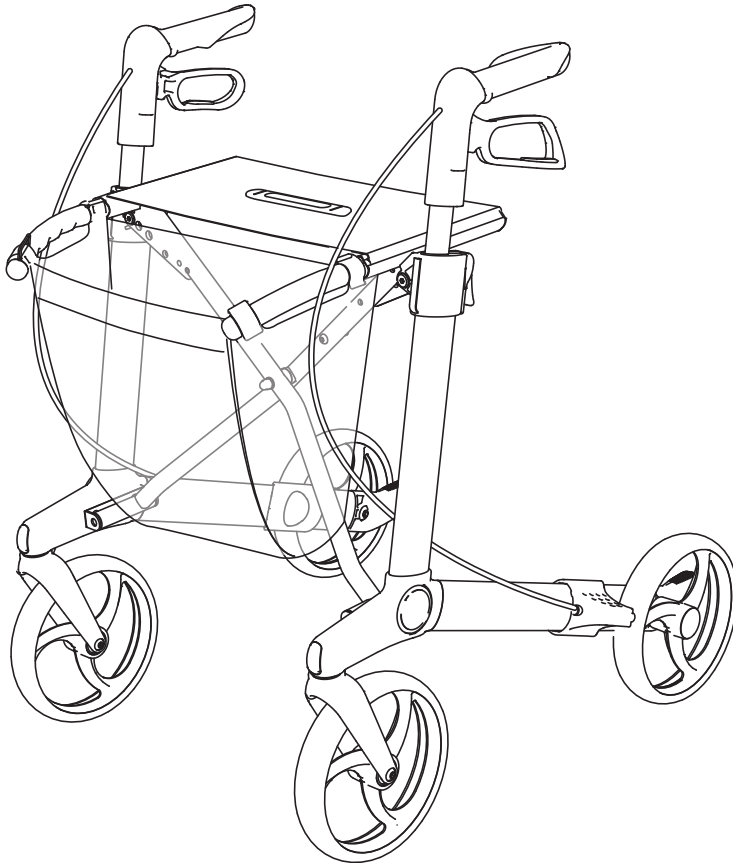


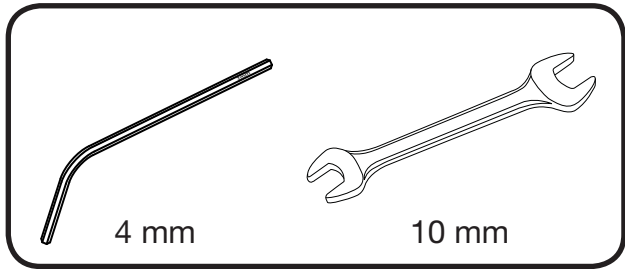
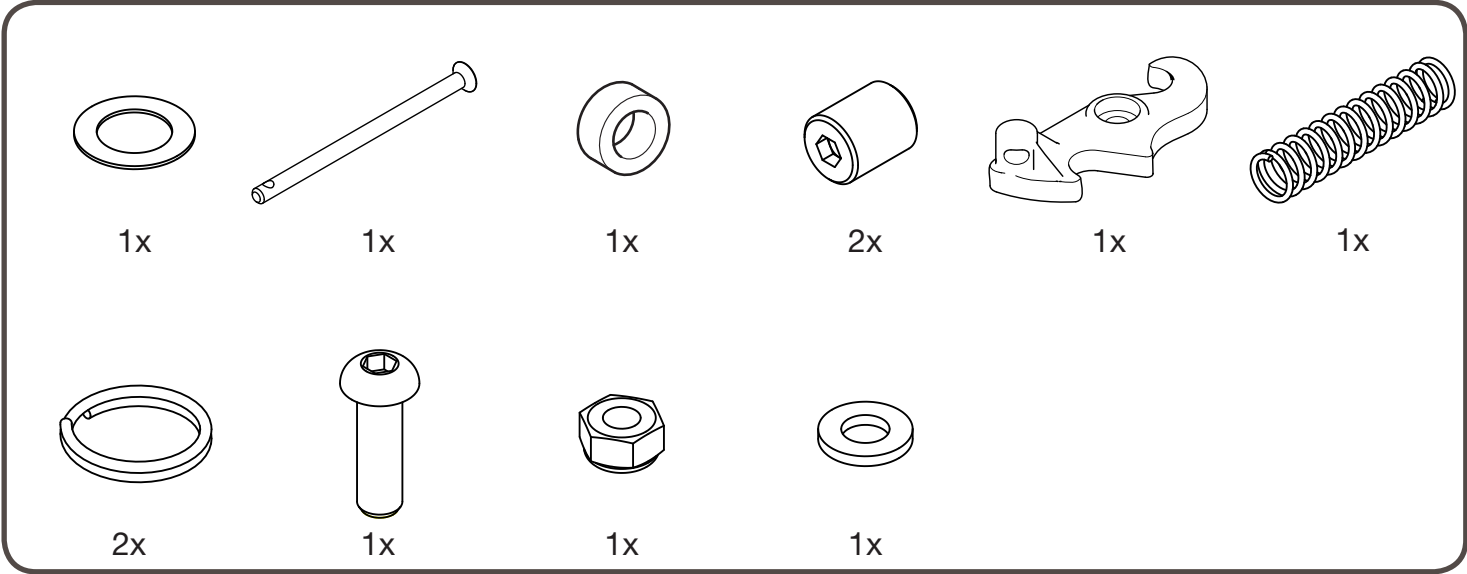
## ASSEMBLY INSTRUCTION

# Service kit for locking system

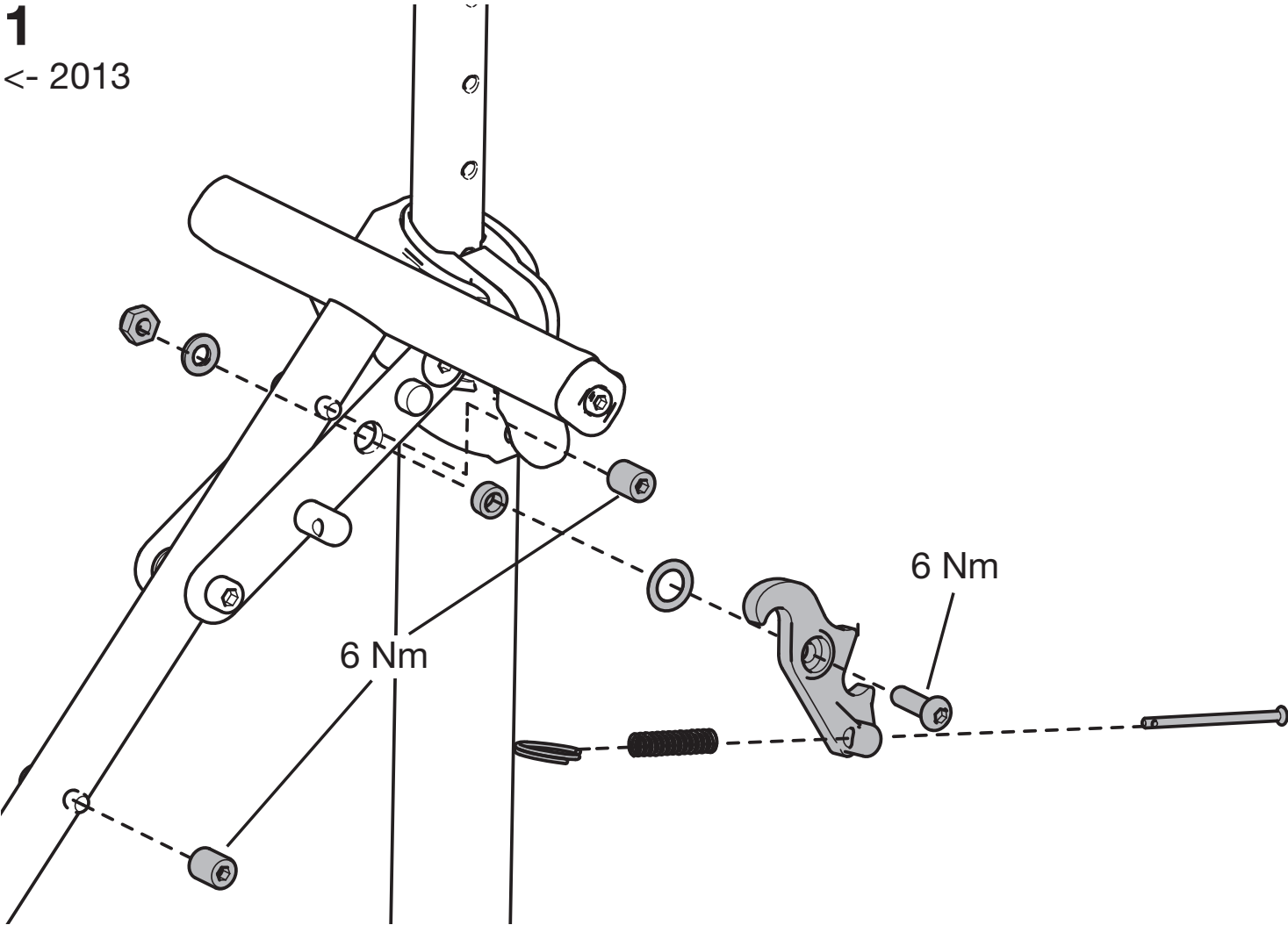


Description	Article number
Service kit for locking system, Gemino 30, Gemino 30 M, Gemino 20, Gemino 30 M	<input type="checkbox"/> 7109801
Service kit for locking system, Gemino 30 S, Gemino 20 S	<input type="checkbox"/> 7109803

# GEMINO



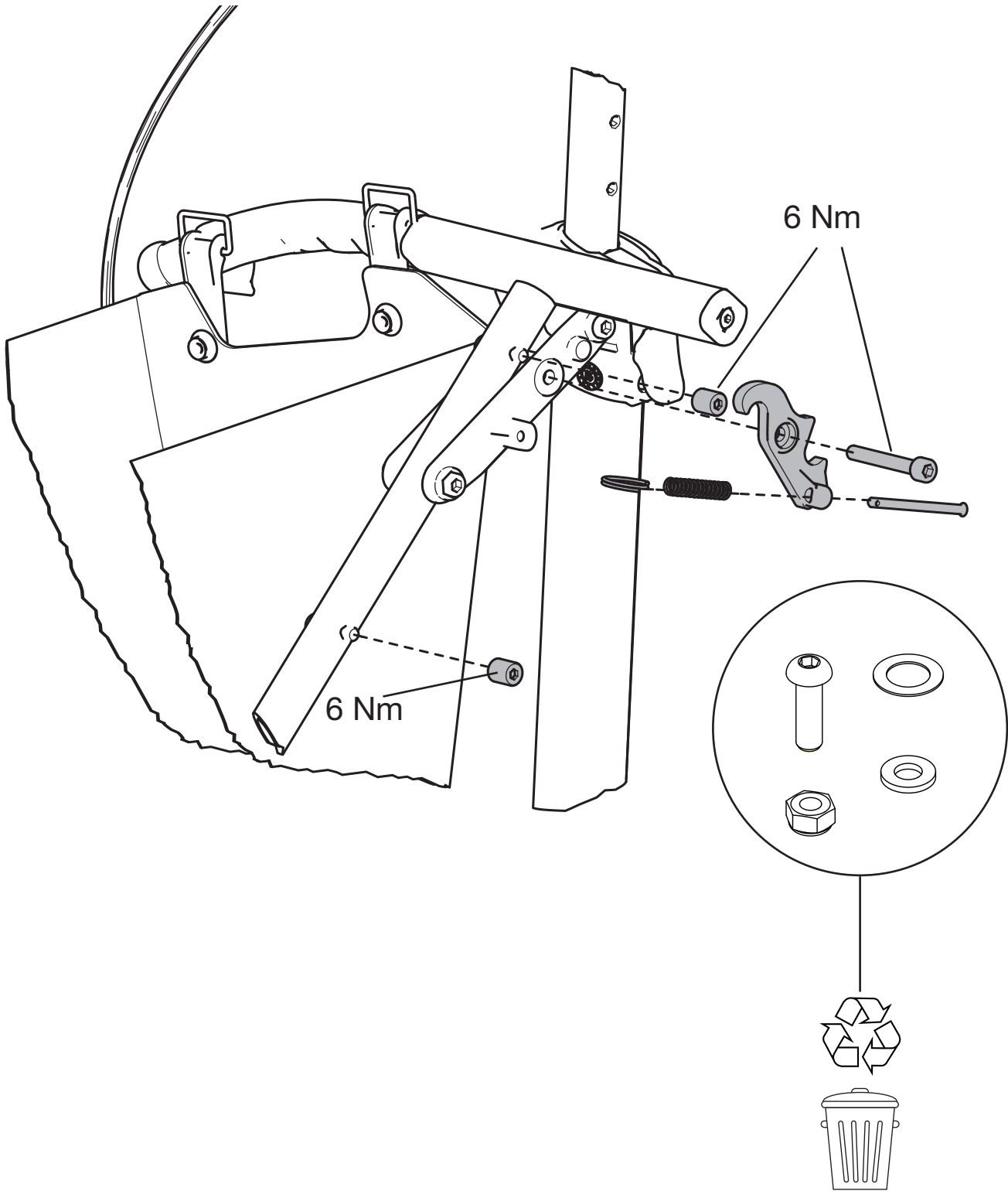
**1**  
<- 2013



# 2

2013 ->

For Gemino with serial number starting with HG-R





Sunrise Medical HCM B.V.  
Vossenbeemd 104  
5705 CL Helmond  
The Netherlands

T: +31 (0)492 593 888  
[customerservice@sunrisemedical.nl](mailto:customerservice@sunrisemedical.nl)  
[www.SunriseMedical.eu](http://www.SunriseMedical.eu)