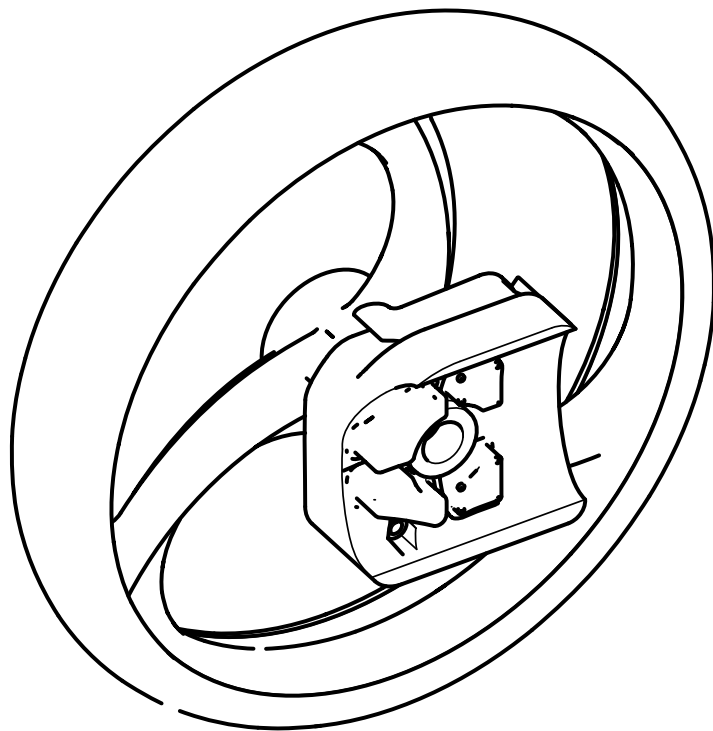


ASSEMBLY INSTRUCTION

Slow down brake



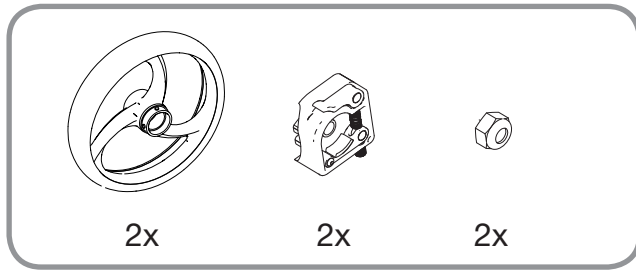
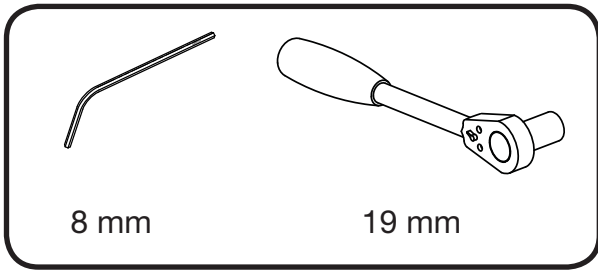
Description

Slow down brake, Gemino all models, except Gemino 60 models
and Gemino 30/30M Comfort

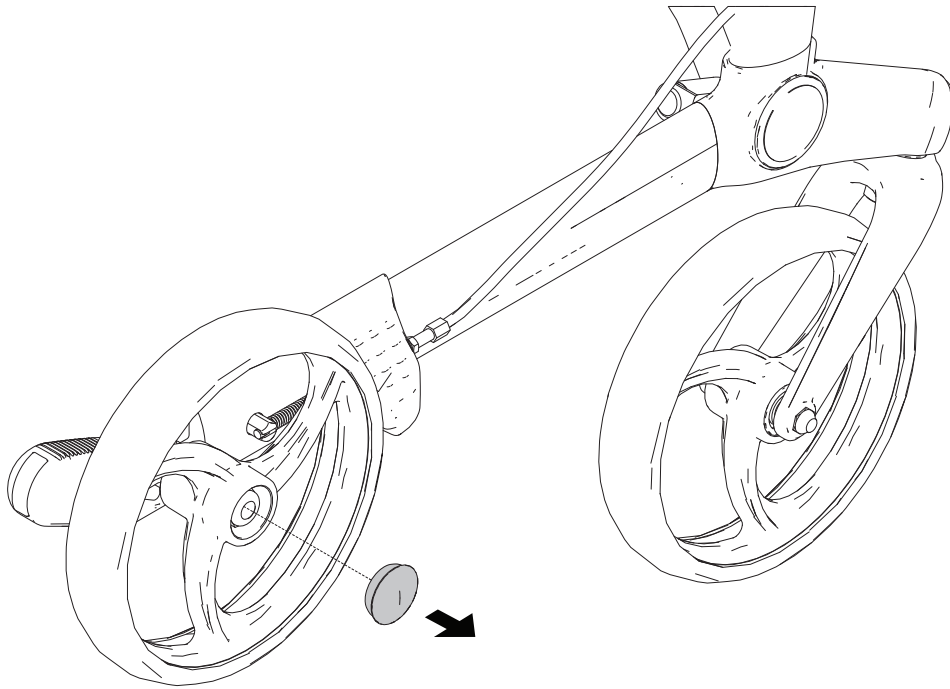
Article number

7109080

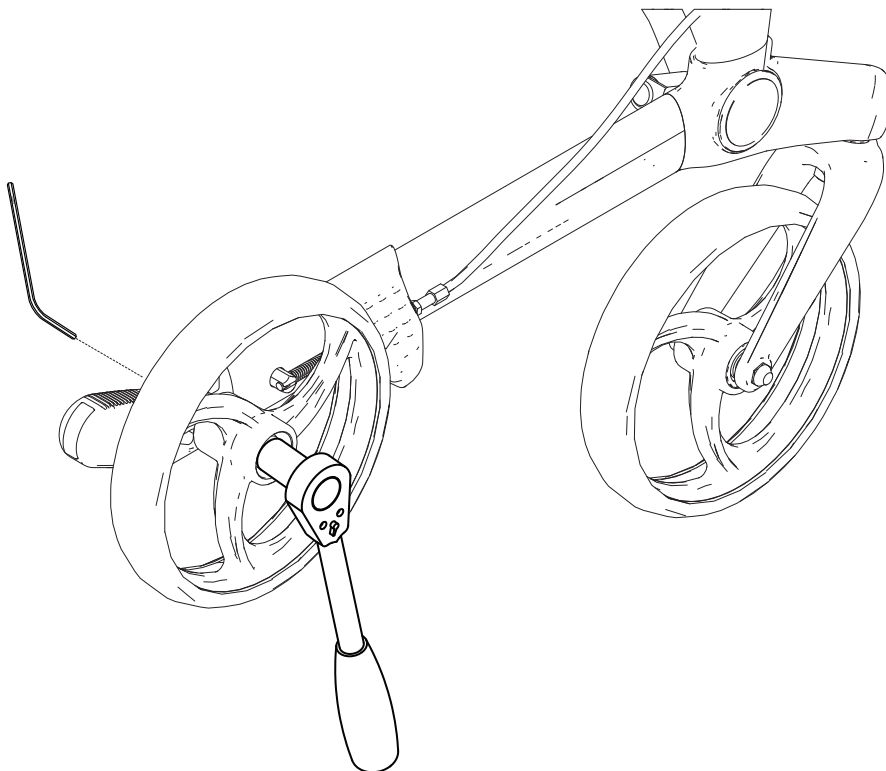
GEMINO



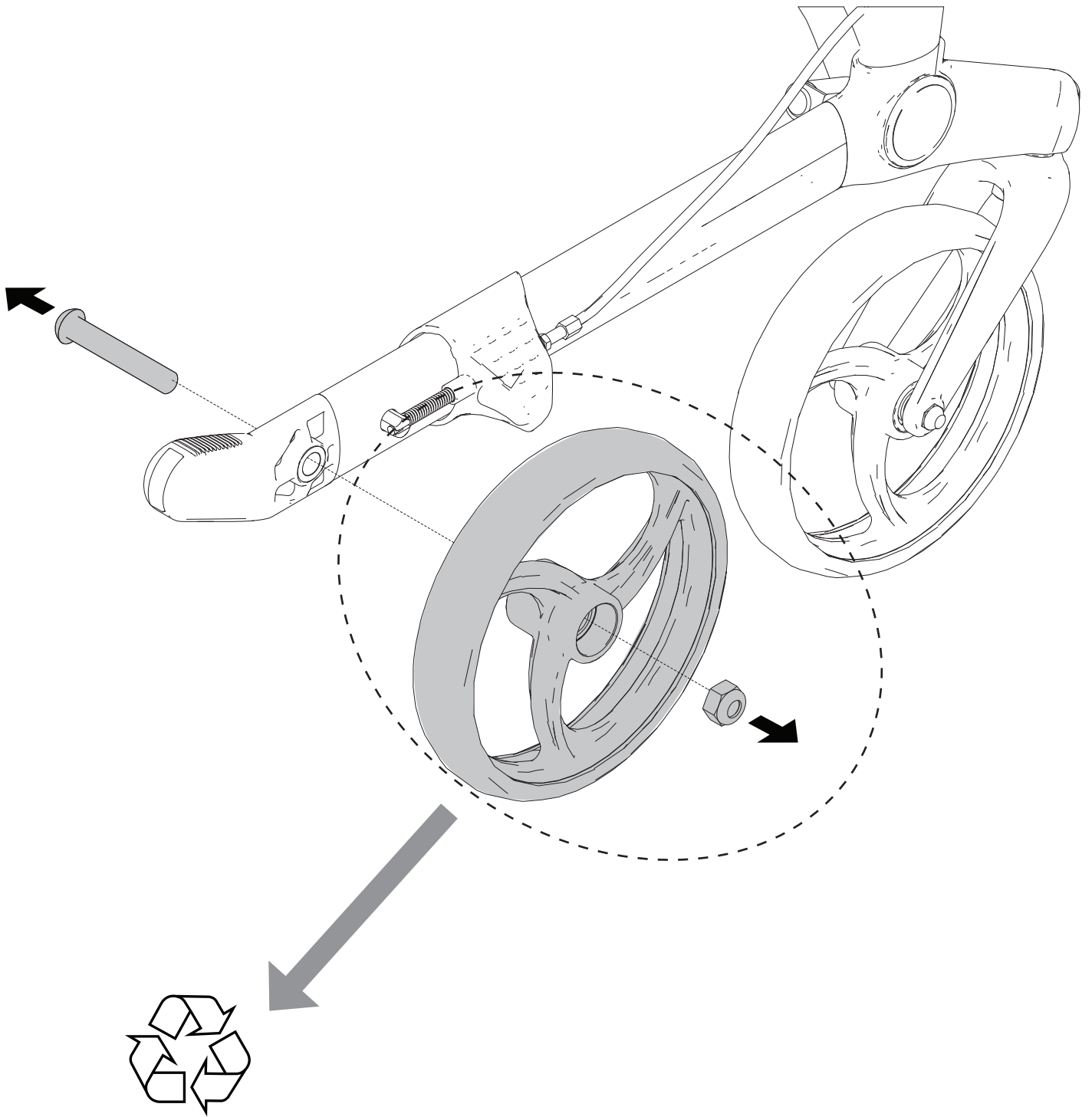
1



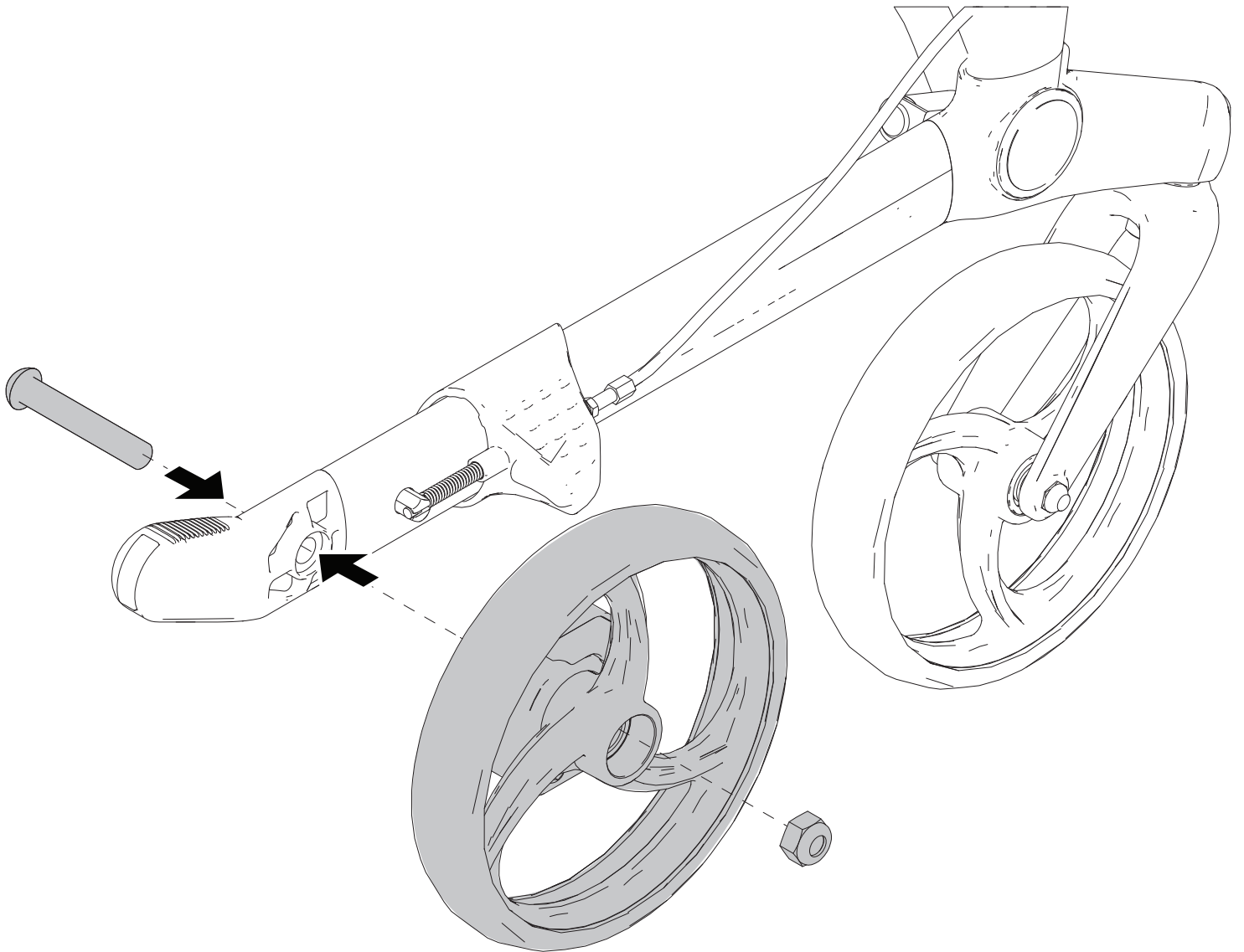
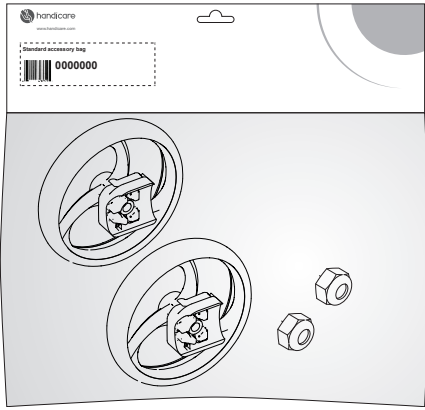
2

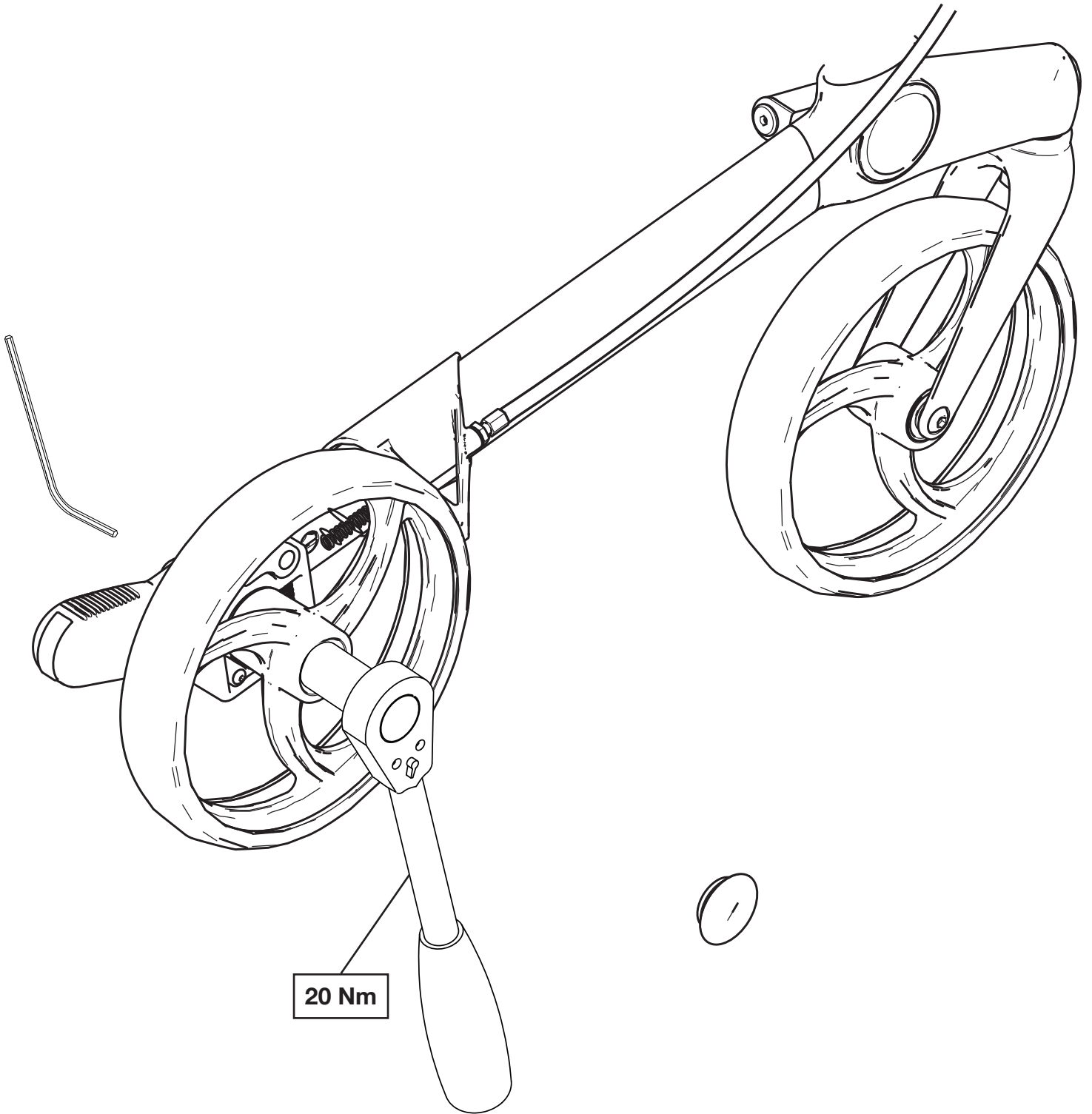


3

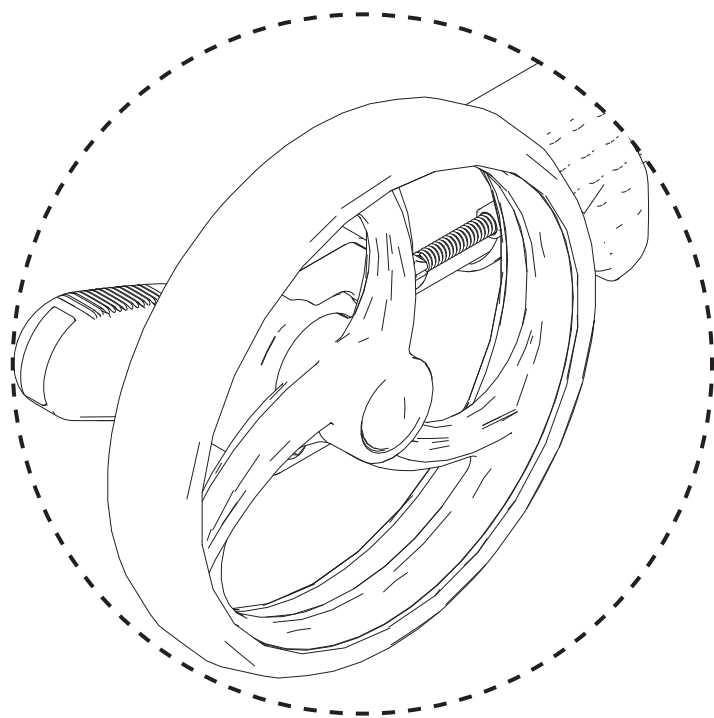
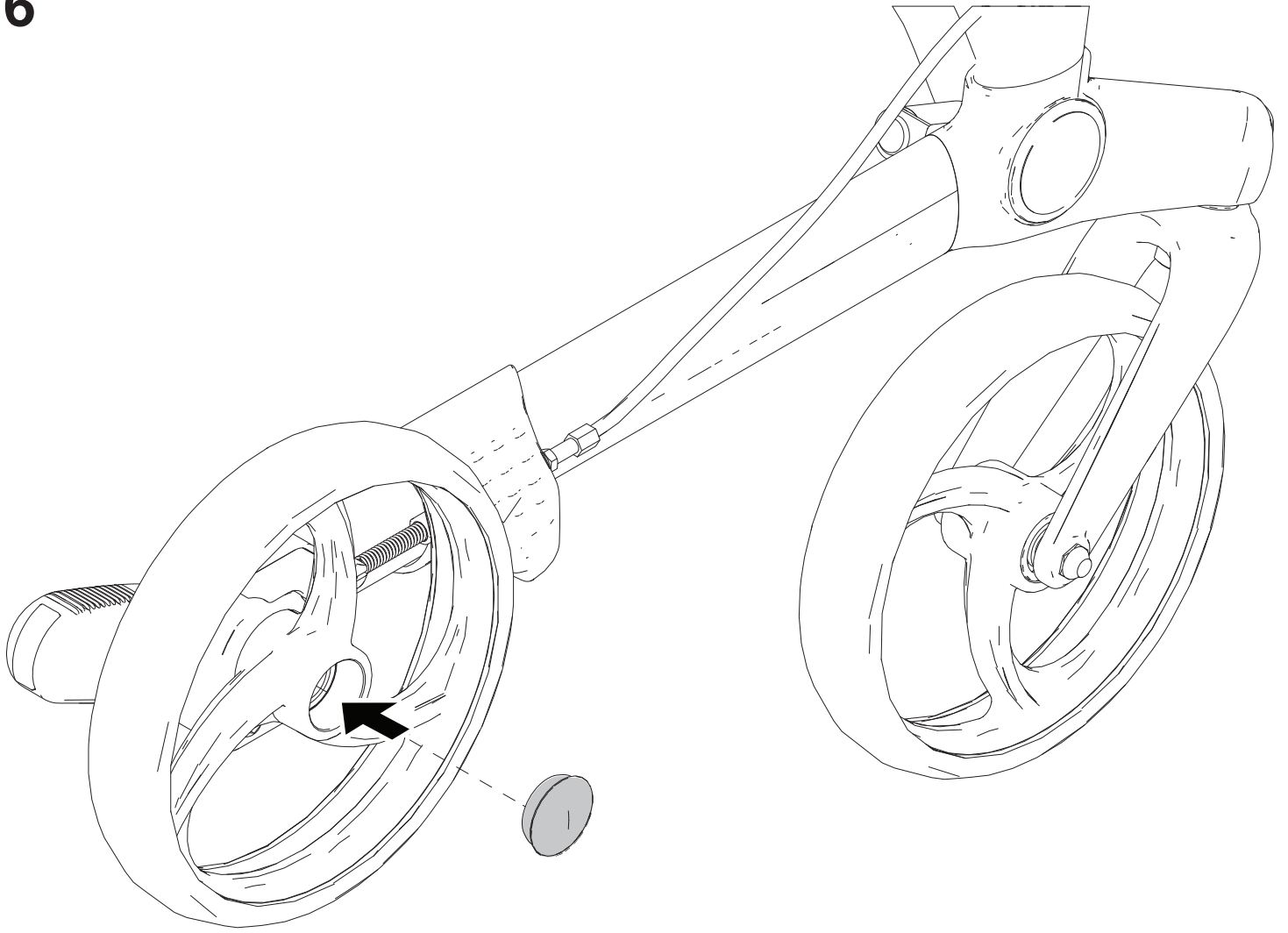


4

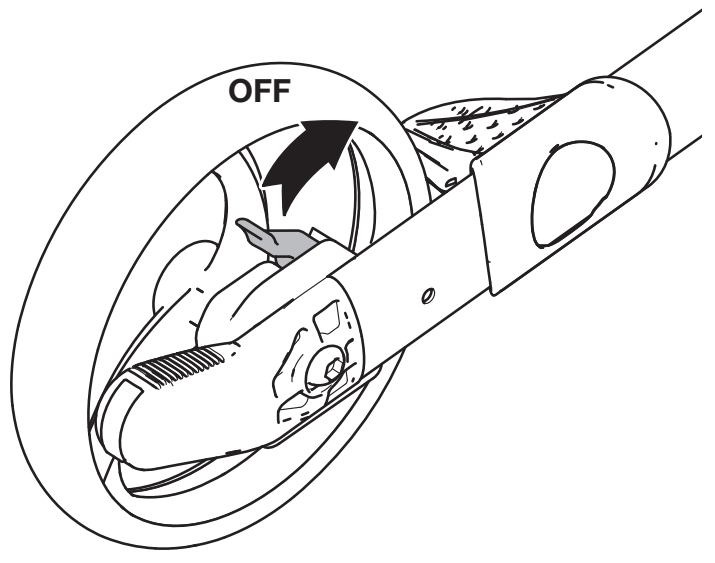
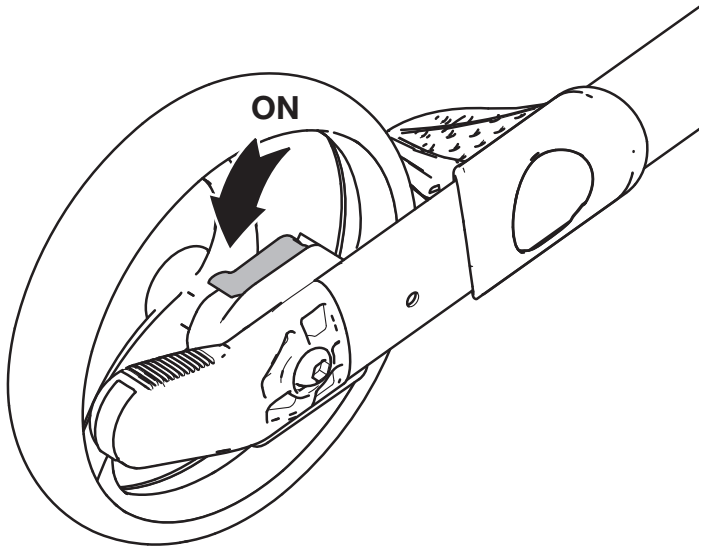
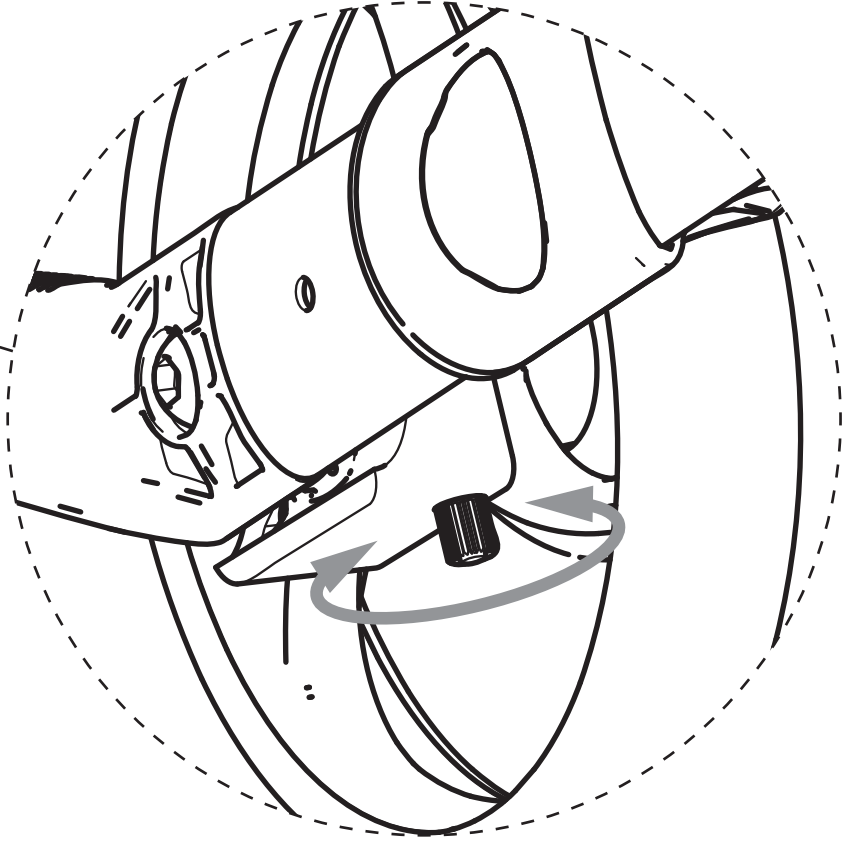
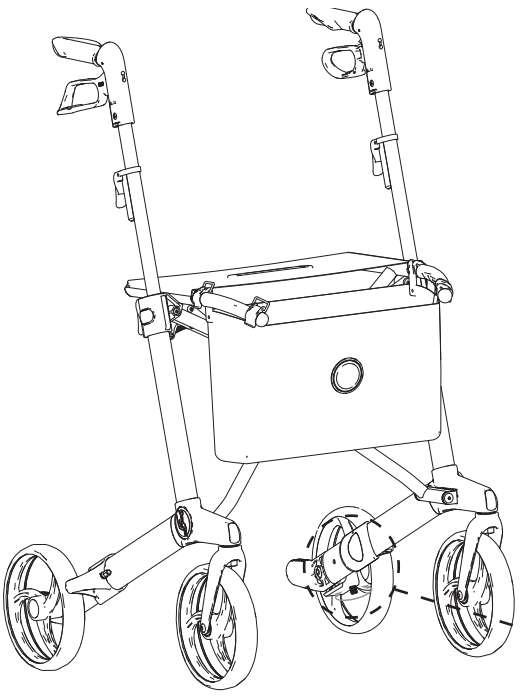




6



7





Sunrise Medical HCM B.V.
Vossenbeemd 104
5705 CL Helmond
The Netherlands

T: +31 (0)492 593 888
customerservice@sunrisemedical.nl
www.SunriseMedical.eu