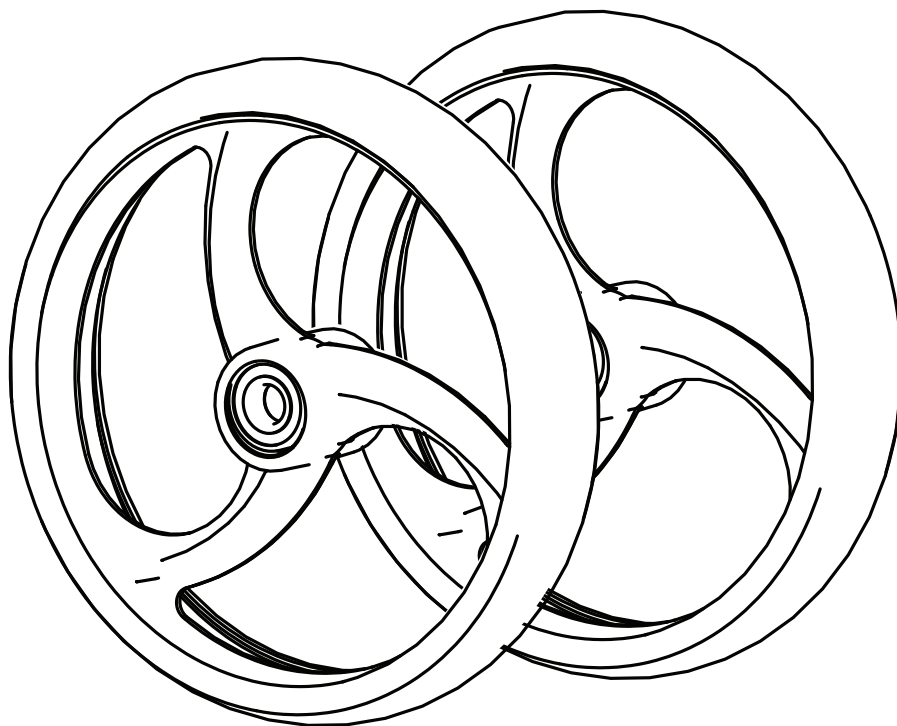


## ASSEMBLY INSTRUCTION

# Front wheel



---

**Description**

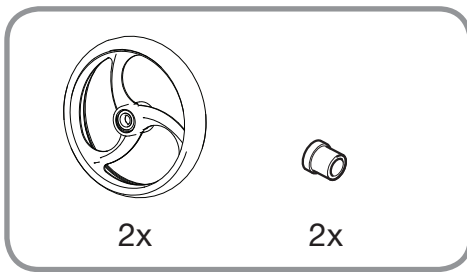
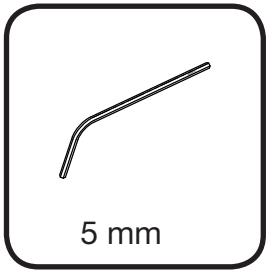
Front wheel - set of two, Gemini all models,  
except Gemini 60 models and Gemini 30/30M Comfort

**Article number**

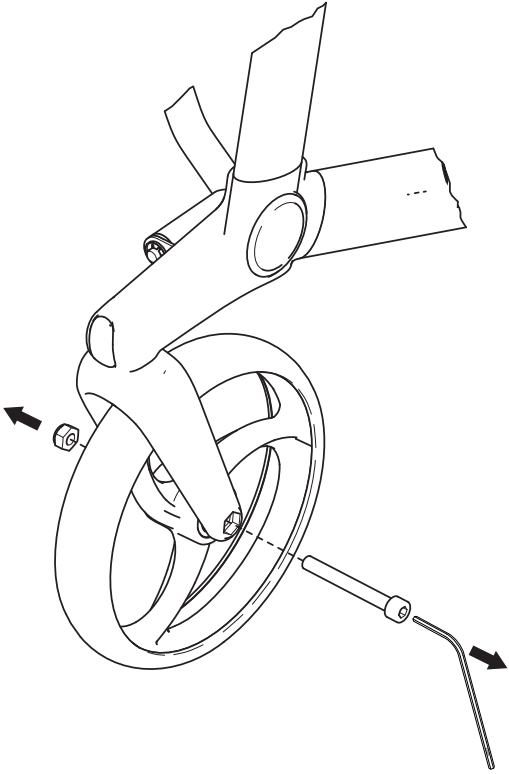
7107036

---

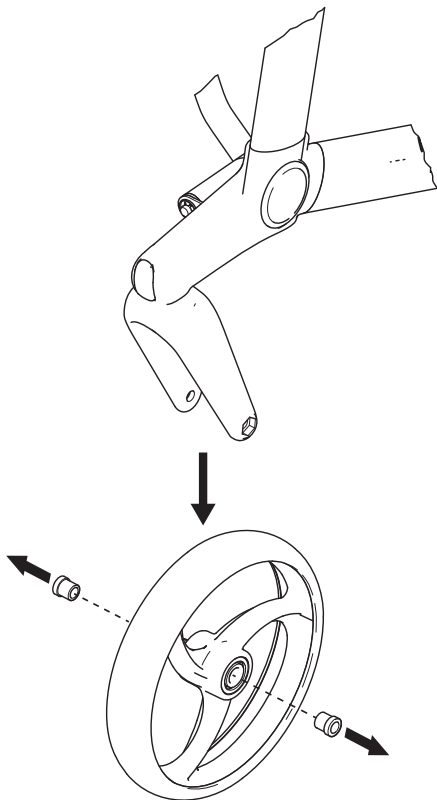
# GEMINO



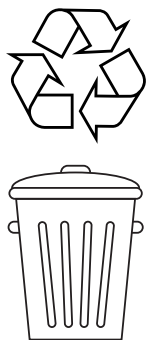
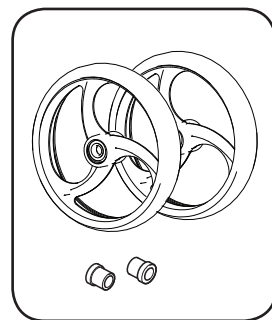
1



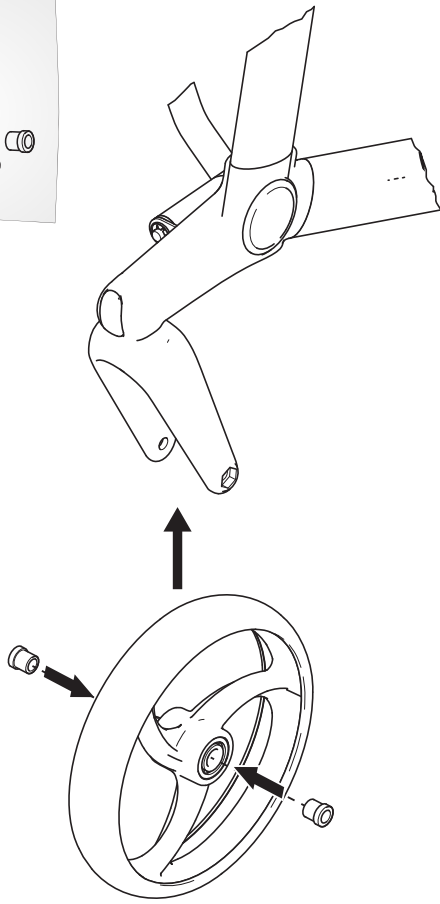
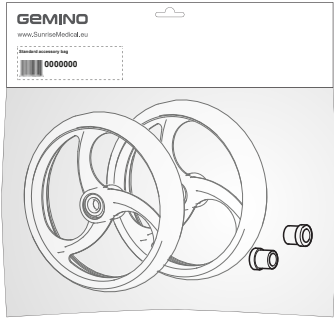
2



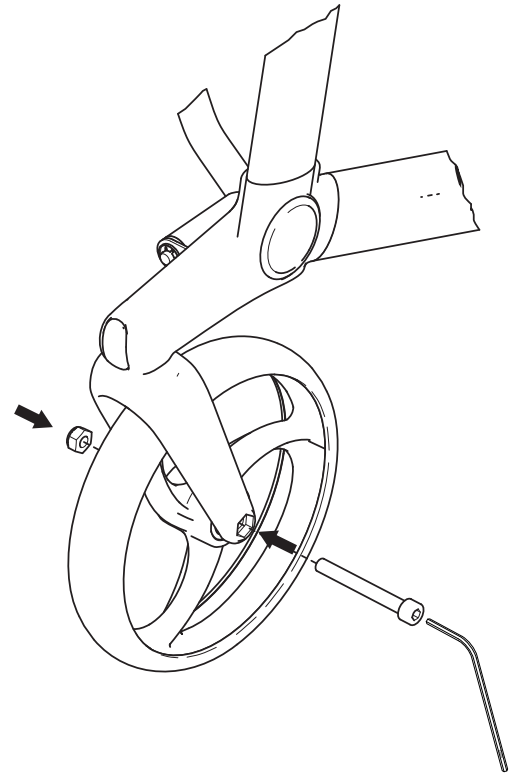
3



4



5





Sunrise Medical HCM B.V.  
Vossenbeemd 104  
5705 CL Helmond  
The Netherlands

T: +31 (0)492 593 888  
[customerservice@sunrisemedical.nl](mailto:customerservice@sunrisemedical.nl)  
[www.SunriseMedical.eu](http://www.SunriseMedical.eu)