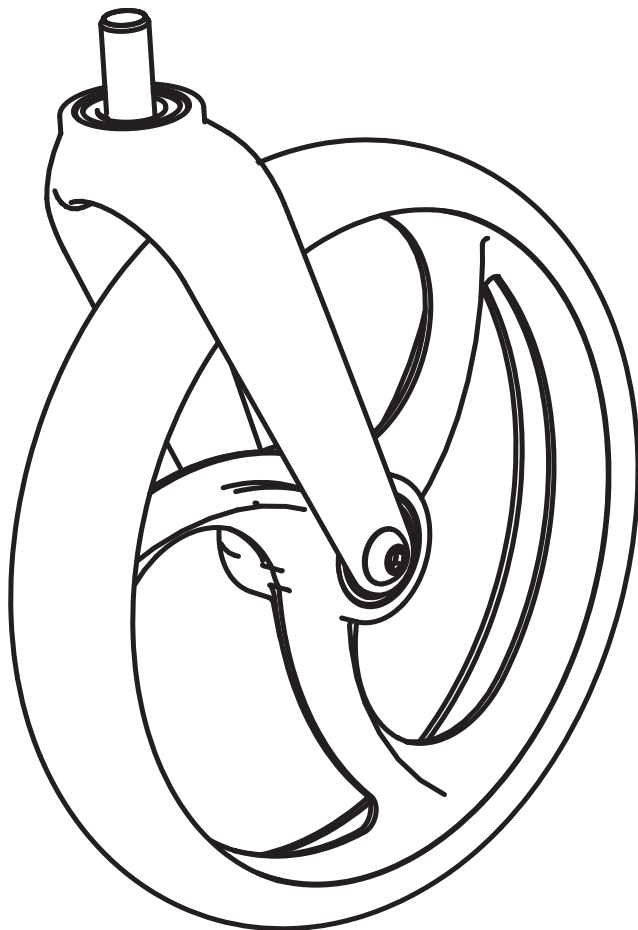


ASSEMBLY INSTRUCTION
Fork with wheel



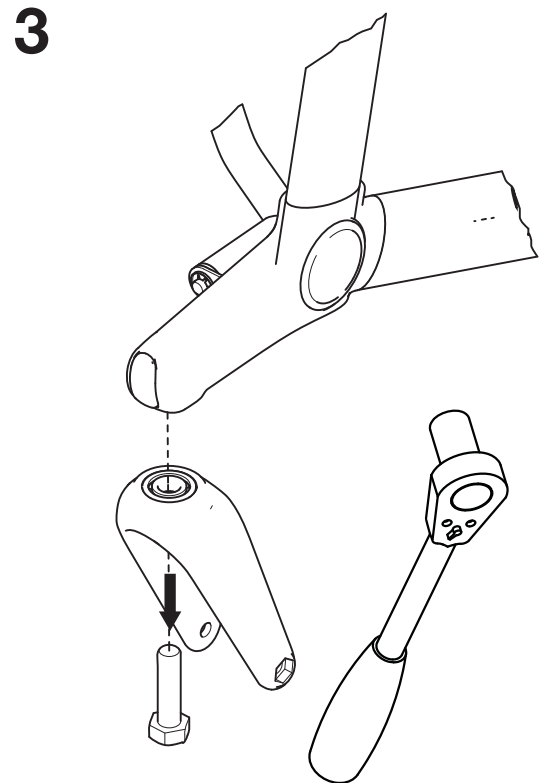
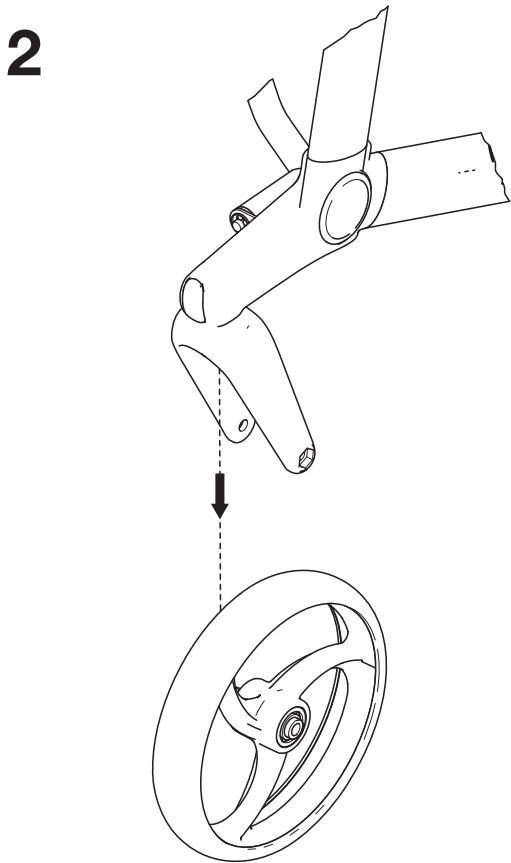
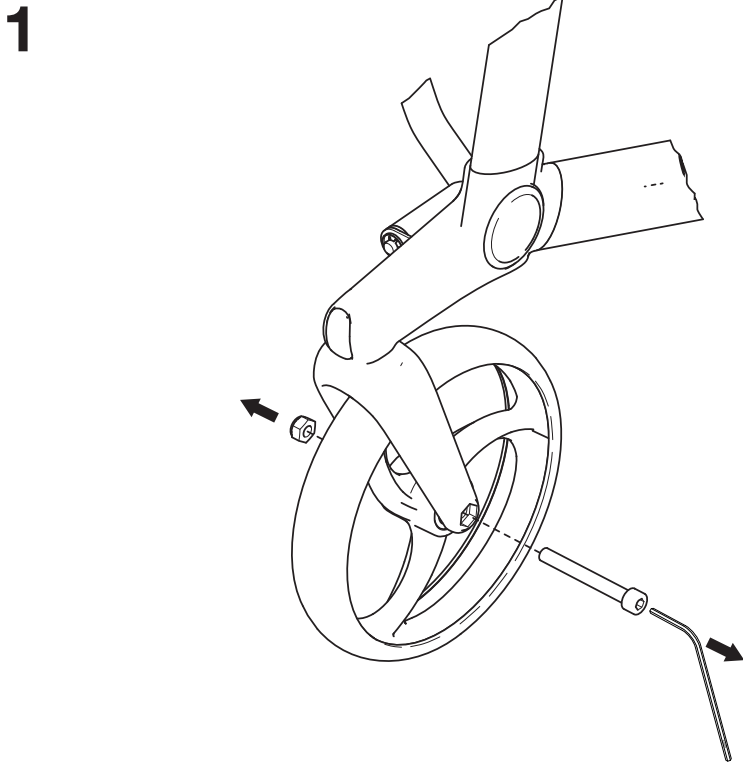
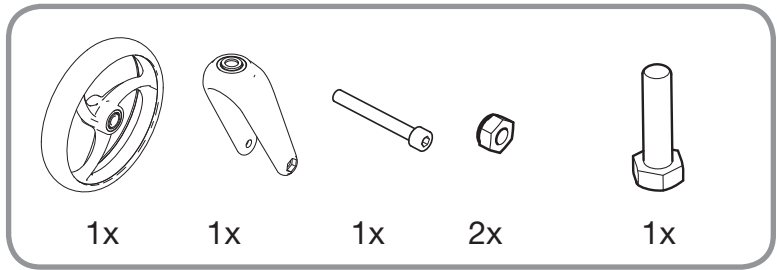
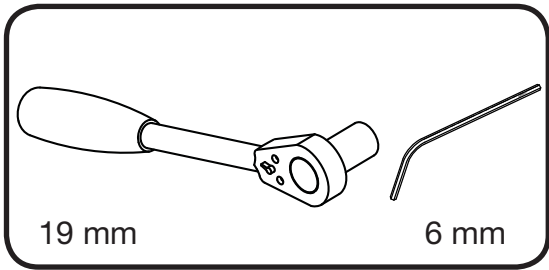
Description

Fork with wheel, Gemino all models,
except Gemino 60 models and Gemino 30/30M Comfort

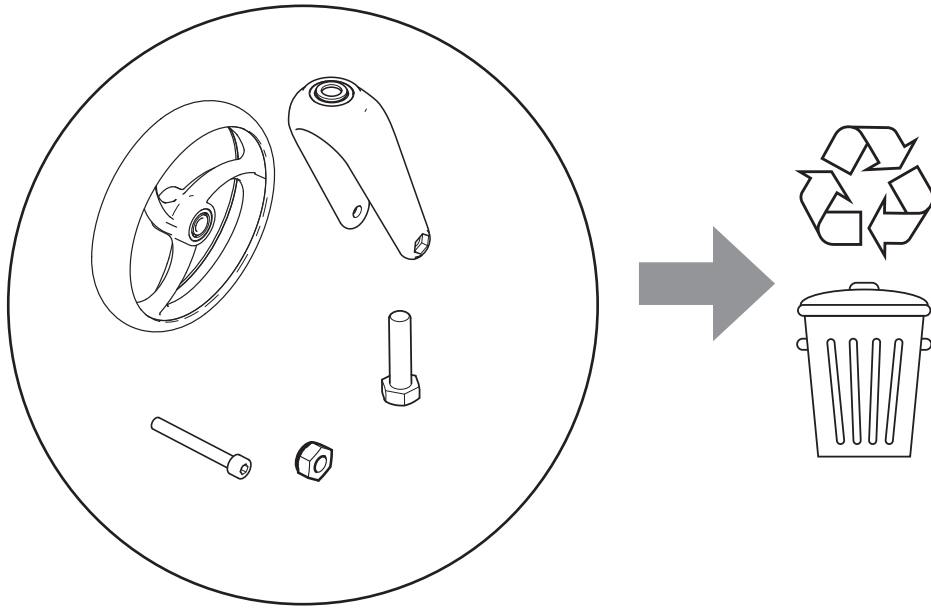
Article number

7107013

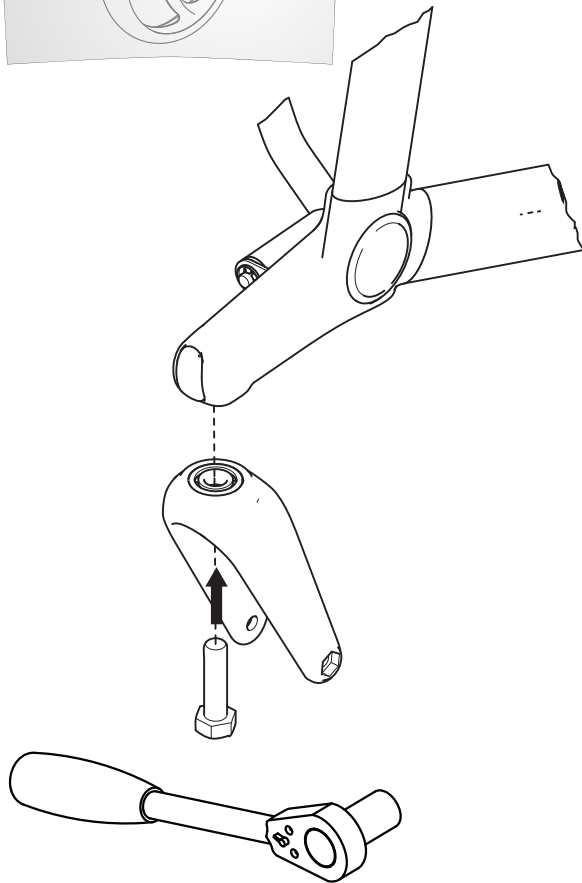
GEMINO



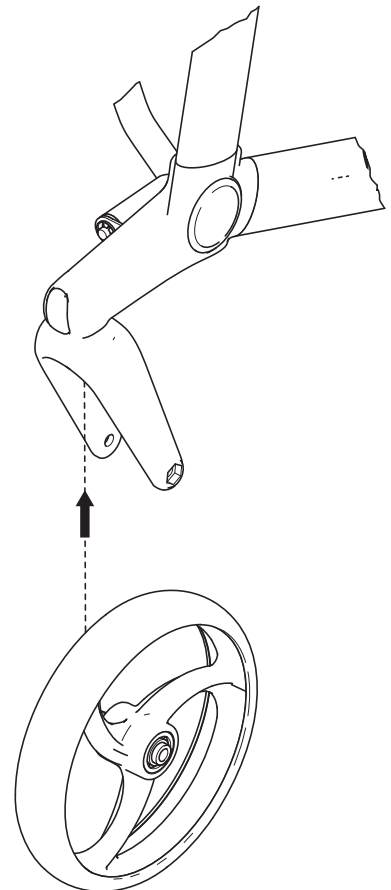
4



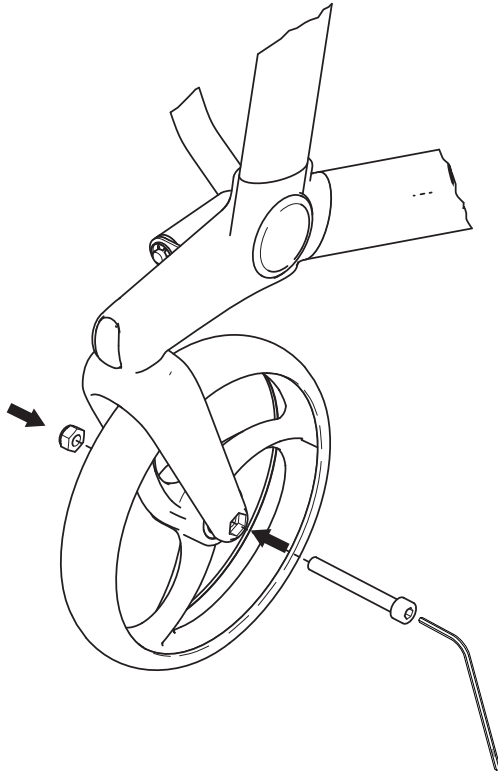
5



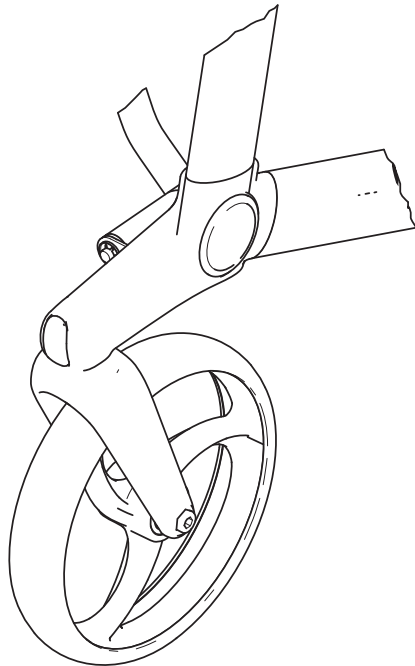
6



7



8



Sunrise Medical HCM B.V.
Vossenbeemd 104
5705 CL Helmond
The Netherlands

T: +31 (0)492 593 888
customerservice@sunrisemedical.nl
www.SunriseMedical.eu