



Life

**Spare Parts
Catalogue**


QUICKIE®

**INNOVATE.
BUILD FOR THE FUTURE**



This product is manufactured to comply with the Medical Device Directive 93/42/EEC.

Use of Illustrations & Text:

The illustrations and accompanying text set out in this document are the property of Sunrise Medical Limited and must not be copied or used for manufacturing, tendering or any other purpose without written consent from Sunrise Medical.

Ordering:

Item numbers shown as N/A are for reference purposes only and should not be used when ordering replacement parts. Always quote the correct serial number and part number.

Quality Management Systems:

Sunrise Medical Limited is accredited to ISO 9001: 2008, which is the internationally recognised standard for quality management systems, as well as ISO 13485: 2012, which specially governs Medical Devices. These approvals ensure that we provide quality in all areas of our business from development through to final delivery.

Parts Disclaimer:

It is potentially hazardous to fit or use any parts other than genuine Sunrise Medical parts. The company disclaims all liability for the consequences of such use, which in addition voids the product warranty.

This product is for the carriage of one person and must not under any circumstances be used for any other purpose.

Queries:

Should you have any queries then please contact Sunrise Medical Ltd on

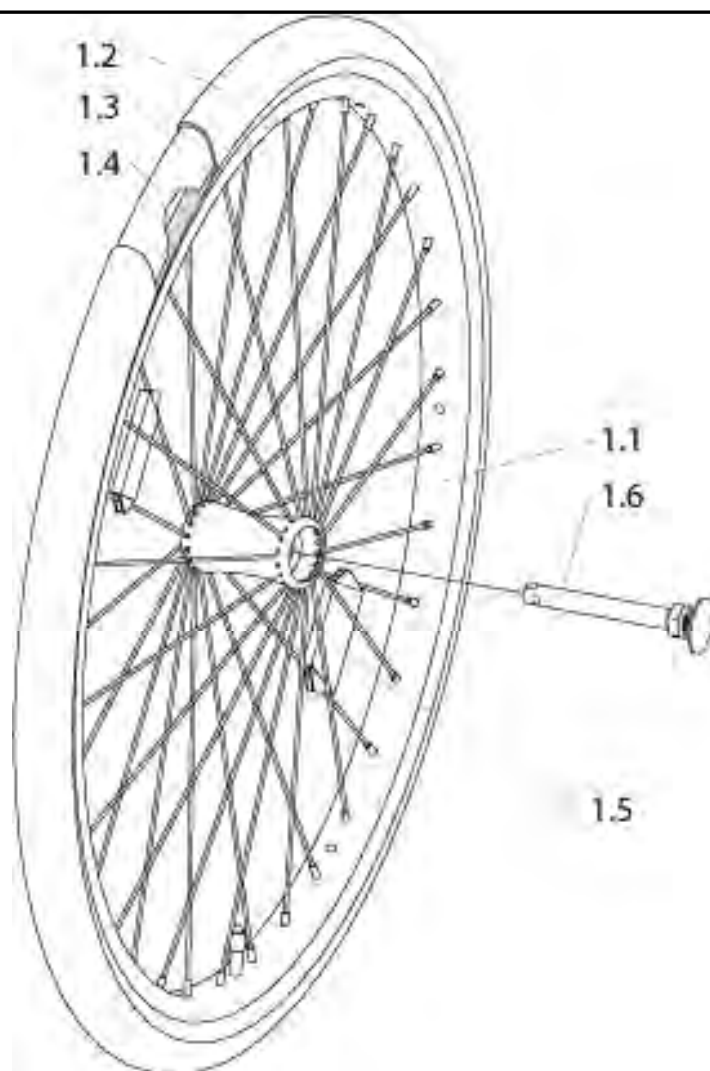
Tel +44(0) 845 605 6688
Fax +44(0) 845 605 6689

QUICKIE Life T	5
Rear wheel.....	5
Design Rear Wheel.....	5
Universal Rear Wheel (Alu hub).....	7
Lightweight Rear wheel.....	9
Spinergy Wheel.....	11
Drum brakes Rear wheel with brake	13
Max Grepp Ergo Para hand rim	15
Spoke guards.....	16
Spoke guards, kids	18
Spoke guards, teens	20
Spoke guards, adults	22
Screw in adapter	24
One-arm drive, connecting shaft.....	26
One arm drive	27
Handrim	29
Brake.....	31
Knee lever wheel lock with frame fitting.....	31
Brake Lever Extension.....	33
Compact Brake	34
Integrated sideguard brake - Safari brake.....	35
Integrated sideguard brake - Safari brake -, Attendant.....	38
One arm brake	40
Activation for Drum brake/ Quick release axle	42
Footrest.....	43
Footrest Aluminum Version.....	43
Footrest Plastic Version 80°	46
Footrest Plastic Version 70°.....	49
Elevating legrest (ELR) Lower Leg Length 30-34 cm	52
Elevating Leg Rest (ELR) > Lower Leg Length 34 cm.....	54
Stump Pad	56
Plastic Footplate	57
Divided footplate, angle and depth adj., aluminium	59
Divided Footrest, metal	61
Divided footboard, metal, for short LLL.....	63
Continuous Footboard metal.....	65
Continuous footboard, metal, for short LLL.....	67
Footrest, continuous, angle and depth adjustable, folding upwards, plastic /carbon/ aluminium.....	68
Platform footplate, angle and depth adj., aluminium.....	70
Platform footplate lightweight, composite, flip-up.....	72
Castor	73
Fork for fixed frame , Aluminium	73
Fork for fixed frame, Carbotecture	76
Fork for swing away frame , Aluminium	78
Fork for swing away frame , Carbotecture	81
Castors.....	83

Table of contents

Frame.....	85
Front Frame for Swing Away Footrest	85
Front Frame for Fixed Footrest	87
Connection Profil.....	89
Back Frame.....	91
Backrest	93
Crash Test Option.....	93
Half Folding Back.....	94
Back Angle Adjustable	96
Back tubes for standard back	99
Height Adjustable Push Handle	102
Stabilising Bar	104
Headrest with height adjustable push handles.....	105
Backrest, STD with head rest for SW46-50	107
Headrest with height adjustable push handles for SW46-50	110
EXO Backrest upholstery, with long and fold down pushhandles	112
EXO Backrest upholstery, with height adjustable pushhandles or without pushhandles	114
Sideguard.....	116
Sideguard, aluminium with fender.....	116
Single Post Sideguard with Armpad.....	118
Plastic Sideguard, detachable	120
Single post tool height adjustable armrest	121
Desk sideguard	123
Armpad for Desk Sideguard.....	125
Armrest height adjustable, left/right.....	126
Carbon Sideguard with Fender & Aluminium Sideguard without Fender.....	127
Seat.....	129
Cross Brace	129
Seat Sling.....	133
Accessories.....	139
Caddy.....	139
Tool kit	140
Wheelchair Backback	141
Lap Belt with Fastener	142
Mobile Phone Case.....	143
Frame adapter for accessories	144
Transit Wheel.....	145
Upholstery	147
Anti-tip tube.....	148
Anti tip tubes swing away, aluminium lightweight	150
Tipping tube	152
Therapy table swingaway	153
Therapy table	155
Accessories.....	156
Tray table, used from SW 22 to 36 cm.....	157
Docking Attitude.....	158

Design Rear Wheel

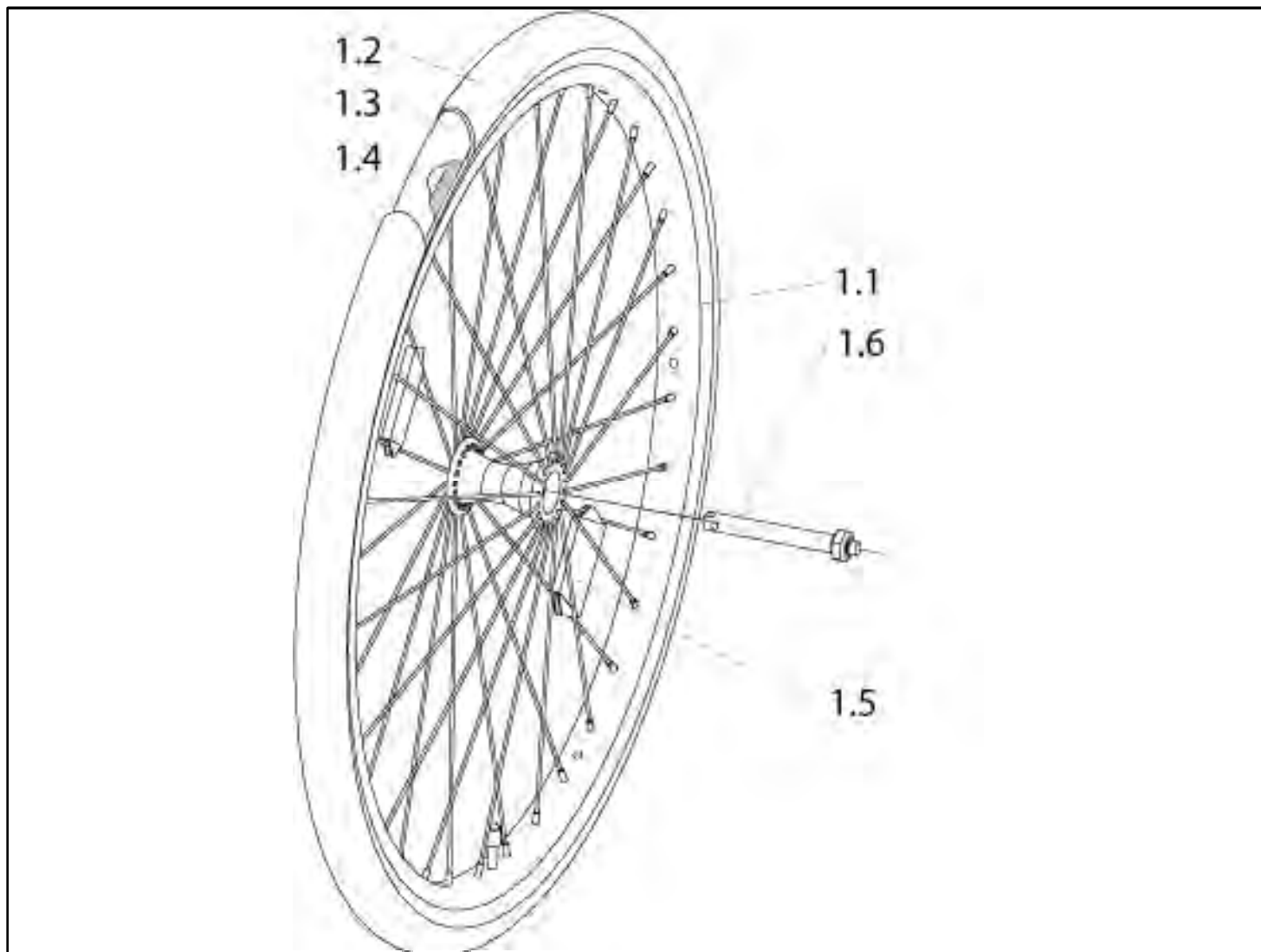


Pos	Item number	Description	Comment
1.1, 1.5-1.6	000851315	24in rear wheel design, clear anodised with quick-release axle (without tyres)	
1.2-1.4	000857224.01	24in x 1in tyre cpl., Right Run (tyre, tube and tube protector)	
1.2-1.4	000857130.01	24in x 1in tyre, Schwalbe one (tyre, tube and tube protector)	
1.2-1.4	000857424	24in x 1in Downtown - Two grip tyre, complete	
1.2	000857130	24in x 1in tyre, Schwalbe one	
1.2	000283014.01	24inx1in tyre, Right Run	
1.2	000283037	24in Downtown - Two grip tyre	
-	000283017	24 inch x 1 inch, soft tyre, puncture proofed, black	
-	000283036	24in tyre, Marathon Plus Evo, puncture resistance, rugged tread	
-	0002832560.01	26in tyre, Marathon Plus Evo, puncture resistance, rugged tread	
1.3	000283113	24in x 1in inner tube	
1.3	000283111-ET	24in Inner tube, for Downtown - Two grip	Pack of 10
1.4	000283160-ET	24in Tube protector	Pack of 10

Design Rear Wheel

Pos	Item number	Description	Comment
1.4	000283160-ET	24in tube protector for Downtown - Two grip (19 mm)	Pack of 10
1.6	000220299	Quick-release axle for rear wheel design	
-	000280001-ET	Spoke reflector	10 pcs./pack
-	000283124-ET	26in x 1in inner tube, ETRTO 25-590	10 pcs./pack
-	000283153-ET	26in tube protector	10 pcs./pack
-	84607002	Quick Release for Design, Spinergy and Lightweight wheel with 6° Camber	

Universal Rear Wheel (Alu hub)

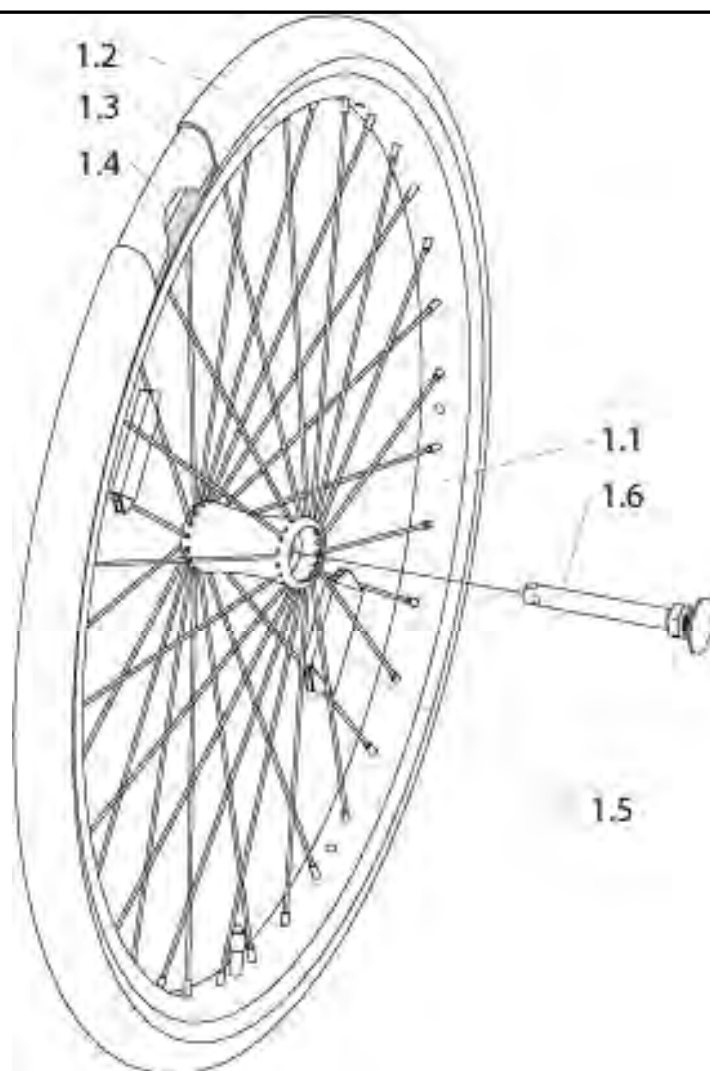


Pos	Item number	Description	Comment
1.1, 1.5-1.6	000851262	22in Universal wheel, coated, with cross-spokes and quick-release axle (without tyre)	
1.1, 1.5-1.6	000851262.01	22in Universal wheel, coated, with straight spokes and quick-release axle (without tyre)	
1.1, 1.5-1.6	000851264	24in Universal wheel, coated, with cross-spokes and quick-release axle (without tyre)	
1.1, 1.5-1.6	000850262	22in Universal wheel, with quick-release axle, with cross spokes	
1.1, 1.5-1.6	000850262.01	22in Universal wheel, with quick-release axle, with straight spokes	
1.2-1.4	000857225	22in x 1in complete tyre, Right Run (tyre, tube and rim tape)	
1.2	000283016.01	Tyre 22inx1in, Right Run	
1.3	000 283 114-ET	22in x 1in pneumatic inner tube	Pack of 10
1.3	000283114-ET	22in x 1in inner tube	Pack of 10
1.4	000283151-ET	22in rim tape	Pack of 10

Universal Rear Wheel (Alu hub)

Pos	Item number	Description	Comment
1.1,1.5-1.6	000850264	24in Universal rear wheel, cross-spoked, clear anodized, with quick-release axle (without tyre, without handrim) (5172)	
1.2-1.4	000857224.01	24in x 1in tyre cpl., Right Run (tyre, tube and tube protector)	
1.2-1.4	000857424	24in x 1in Downtown - Two grip tyre	
-	000283015.01	24in x 1 3/8in solid tyre	
-	000283017	24 inch x 1 inch, soft tyre, puncture proofed, black	
1.2	000283014.01	24inx1in tyre, Right Run	
1.2	000283037	24in Downtown - Two grip tyre	
-	000283036	24in tyre, Marathon Plus Evo, puncture resistance, rugged tread	
-	0002832560.01	26in tyre, Marathon Plus Evo, puncture resistance, rugged tread	
1.3	000283113	24in x 1in pneumatic inner tube	
1.3	000283111-ET	24in pneumatic inner tube for Downtown - Two grip	Pack of 10
-	000283124-ET	26in x 1in inner tube, ETRTO 25-590	10 pcs./pack
1.4	000283160-ET	24in Tube protector	Pack of 10
-	000283153-ET	26in tube protector	10 pcs./pack
1.5	000280001-ET	Spoke reflector	Pack of 10
1.6	000220253	Quick-release axle for Universal wheel and Active wheel	
-	84607003	Quick Release for Universalwheel with 6° Camber	

Lightweight Rear wheel



Pos	Item number	Description	Comment
1.1, 1.5-1.6	000850281.01	22in lightweight rear wheel, anodized finish, with quick-release axle and handrim (without tyre)	
1.1, 1.5-1.6	000850270.01	24in lightweight rear wheel, anodized finish, with quick-release axle (without tyre)	
1.1, 1.5-1.6	000850273.01	25 inch light weight wheel, black anodized, with quick-release axle (without tyre)	
1.2-1.4	000857130.01	24in x 1in tyre, Schwalbe one (tyre, tube and tube protector)	
1.2-1.4	000857225	22in x 1in complete tyre, Right Run (tyre, tube and rim tape)	
1.2-1.4	000857224.01	24in x 1in tyre, rugged tread, complete	
1.2	000283016.01	Tyre 22inx1in, Right Run	
1.2-1.4	000857424	24in x 1in Downtown - Two grip tyre	
1.2	000857130	24in x 1in tyre, Schwalbe one	
1.2	000283014.01	24in tyre, rugged tread	
1.2	000283037	24in Downtown - Two grip tyre	

Lightweight Rear wheel

Pos	Item number	Description	Comment
-	000283036	24in wheel, marathon plus, solid, rugged tread	
1.2	000857127	25in tyre, Marathon Plus, puncture resistance, rugged tread	
1.2	000857131	25in tyre, Schwalbe one	
1.3	000283113	24in x 1in pneumatic inner tube	10 pcs./pack
1.3	000283111-ET	24in pneumatic inner tube used with Downtown - Two grip	10 pcs./pack
1.4	000283165-ET	24in tube protector used with lightweight wheel	10 pcs./pack
1.4	000283160-ET	24in tube protector used with Downtown - Two grip (19 mm)	10 pcs./pack
1.6	000220299	Quick-release axle for Design rear wheel	
1.5	000280009-ET	Spoke reflector, orange (used with lightweight and Proton rear wheel)	10 pcs./pack
-	84607002	Quick Release for Design, Spinergy and Lightweight wheel with 6° Camber	

Spinergy Wheel

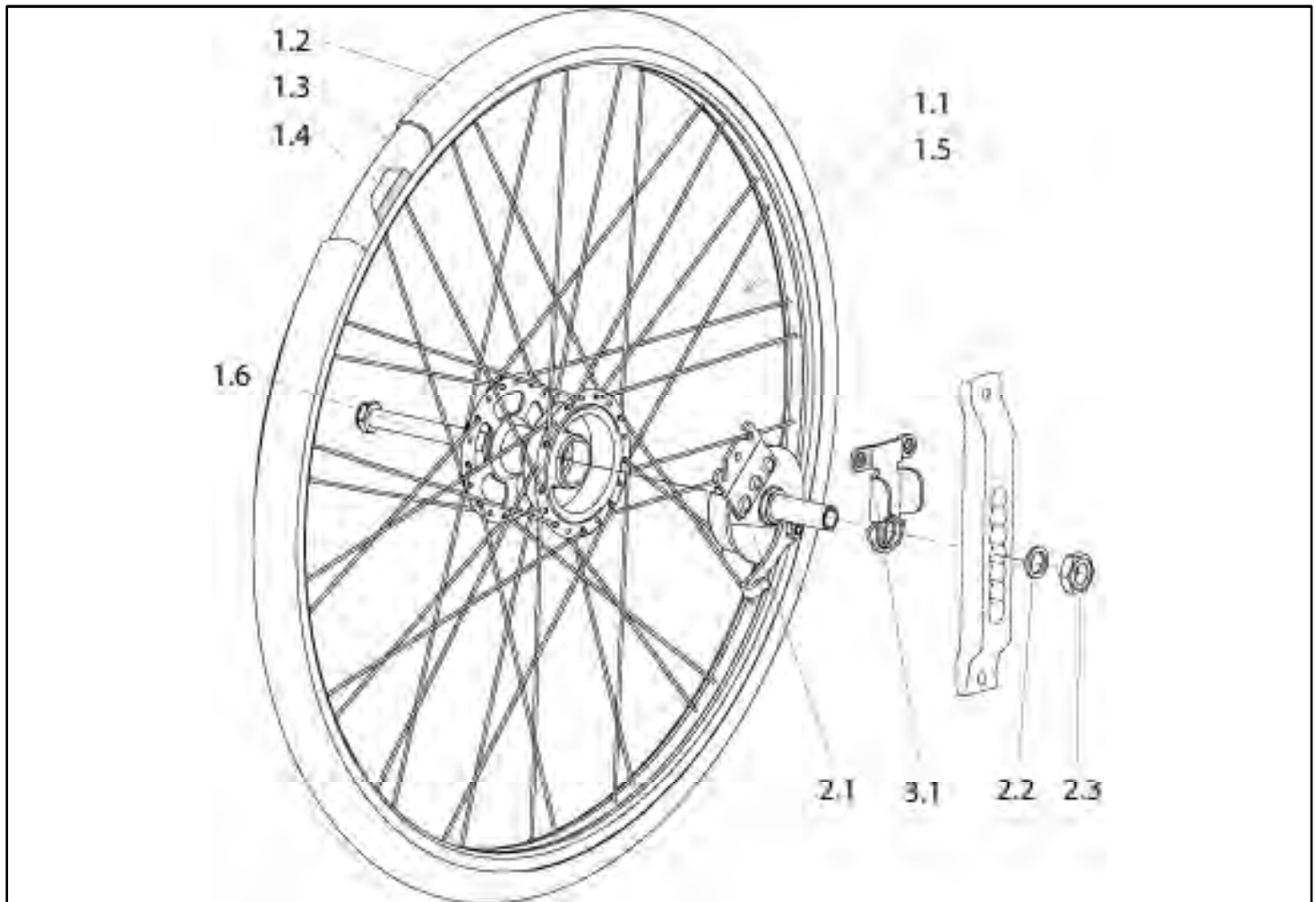


Pos	Item number	Description	Comment
1.1+1.6	762459.01	24 inch Spinergy rear wheel, 18 spokes (black) (without tyre and handrim)	
1.1+1.6	762461.01	25 inch Spinergy rear wheel, 18 spokes (black) (without tyre and handrim)	
1.2-1.4	000857224.01	24in x 1in tyre cpl., Right Run (tyre, tube and tube protector)	
1.2	000857131	25in tyre, Schwalbe one	
1.2-1.4	000857424	Quick-release axle for mountain bike rear wheel	
1.2	000283037	24in pneumatic inner tube	Pack of 10
1.2	000283036	24in tyre, Marathon Plus Evo, puncture resistance, rugged tread	
1.2	000283014.01	Tyre 24in x 1in, Right Run	
1.2	000283017	24 inch x 1 inch, soft tyre, puncture proofed, black	
1.2	000857130	24in x 1in tyre, Schwalbe one	
1.3	000283113	24in x 1in inner tube	

Spinergy Wheel

Pos	Item number	Description	Comment
1.2	000857127	25in tyre, Marathon Plus, puncture resistance, rugged tread	
1.3	000283111-ET	24in inner tube	Pack of 10
1.4	000283160-ET	24in Tube protector	Pack of 10
1.3	066555-002	25-26 in inner tube, extra light, ETRTO 25-559	
1.5	000280001-ET	Spoke reflector	Pack of 10
1.6	000220228	Quick-release axle Spinergy 109 mm	used with 24" until cw 50/2010, used with 25" until cw 12/2011
-	000220299	Quick-release axle spinergy, design and light weight wheel, 99 mm	
	84607002	Quick Release for Design, Spinergy and Lightweight wheel with 6° Camber	

Drum brakes Rear wheel with brake



Pos	Item number	Description	Comment
1.1,1.5-2.3	000851412	22in complete drum brake wheel with brake holder and quick-release axle (tyre and torque supports must be ordered separately)	right
1.1,1.5-2.3	000751412	22in complete drum brake wheel with brake holder and quick-release axle (tyre and torque supports must be ordered separately)	left
1.1,1.5-1.6	000851368.02	22in spoke wheel with quick-release axle	
1.2-1.4	000857225	22in x 1in tyre, Right Run	
1.2	000283016.01	Tyre 22inx1in, Right Run	
1.3	000283114-ET	22in x 1in inner tube	Pack of 10
1.4	000283151-ET	22in rim tape	Pack of 10
1.1,1.5-2.3	000851414	24in complete drum brake wheel with brake holder and quick-release axle (tyre and torque supports must be ordered separately)	right
1.1,1.5-2.3	000751414	24in complete drum brake wheel with brake holder and quick-release axle (tyre and torque supports must be ordered separately)	left
1.1,1.5-1.6	000851369.02	24in spoke wheel with quick-release axle	
1.2-1.4	000857224.01	24in x 1in tyre cpl., Right Run (tyre, tube and tube protector)	

Drum brakes Rear wheel with brake

Pos	Item number	Description	Comment
1.2-1.4	000857424	24in x 1in Downtown - Two grip tyre	
o.B.	000283015.01	24in x 1 3/8in solid tyre	
o.B.	000283017	24 inch x 1 inch, soft tyre, puncture proofed, black	
1.2	000283014.01	Tyre 24in x 1in, Right Run	
1.2	000283037	24in Downtown - Two grip tyre	
o.B.	000283036	24in tyre, Marathon Plus Evo, puncture resistance, rugged tread	
-	0002832560.01	26in tyre, Marathon Plus Evo, puncture resistance, rugged tread	
1.3	000283113	24in x 1in pneumatic inner tube	
1.3	000283111-ET	24in pneumatic inner tube for Downtown - Two grip	Pack of 10
1.4	000283160-ET	24in rim tape for Downtown - Two grip (19 mm)	Pack of 10
1.6	000220230	Design quick-release axle for drum brakes (from manufacturing week 49/2000)	
2.1-2.3	000961080	Brake holder, grey coated (from manufacturing week 49/2000)	Pair
2.2	000138002-ET	Lock washer VS 16	Pack of 10
3.1	760861025	Torque supports	can be used right and left
1.5	000280001-ET	Spoke reflector	Pack of 10
3.1	760850033	Torque support for rear wheel extension	RH
3.1	760750033	Torque support for rear wheel extension	LH

Max Grepp Ergo Para hand rim



Pos	Item number	Description	Comment
1 - 2	062542	Handrim 22in Max Grepp Ergo Para hand rim, used for Universal rear wheel cpl. with mounting accessories	
1 - 2	062543	Handrim 22in Max Grepp Ergo Para hand rim, used for Proton- or Lightweight Rear Wheel cpl. with mounting accessories	
1 - 2	062544	Handrim 24in Max Grepp Ergo Para hand rim, used for Universal wheel cpl. with mounting accessories	
1 - 2	062545	Handrim 24in Max Grepp Ergo Para hand rim, used for Proton- or Lightweight Rear Wheel cpl. with mounting accessories	
2	062546	Mounting accessories for Max Grepp Ergo Para hand rim, used for Universal rear wheel	
2	062547	Mounting accessories for Max Grepp Ergo Para hand rim, used for Proton- or Lightweight Rear Wheel	

Spoke guards



Pos	Item number	Description	Comment
1.1	062551-027	22 inch spoke guard, Bibbo, cpl.	incl. Fasteners
1.2	062551-031	22 inch spoke guard, Cheese, cpl.	incl. Fasteners
1.3	062551-032	22 inch spoke guard, Galactica, cpl.	incl. Fasteners
1.4	062551-028	22 inch spoke guard, Graphic, cpl.	incl. Fasteners
1.5	062551-029	22 inch spoke guard, Fantasy, cpl.	incl. Fasteners
1.6	062551-030	22 inch spoke guard, Rotation, cpl.	incl. Fasteners
1.7	062551-033	22 inch spoke guard, transparent, cpl.	incl. Fasteners
1.1	062553-027	24 inch spoke guard, Bibbo, cpl.	incl. Fasteners

Spoke guards

Pos	Item number	Description	Comment
1.2	062553-031	24 inch spoke guard, Cheese, cpl.	incl. Fasteners
1.3	062553-032	24 inch spoke guard, Galactica, cpl.	incl. Fasteners
1.4	062553-028	24 inch spoke guard, Graphic, cpl.	incl. Fasteners
1.5	062553-029	24 inch spoke guard, Fantasy, cpl.	incl. Fasteners
1.6	062553-030	24 inch spoke guard, Rotation, cpl.	incl. Fasteners
1.7	062553-033	24 inch spoke guard, transparent, cpl.	incl. Fasteners
-	000118004-ET	Fastener for spoke guard	25 pcs./pack

Spoke guards, kids



Pos	Item number	Description	Comment
1	062551-001	Spoke guard 22in cpl., Princess	incl. Fasteners
2	062551-002	Spoke guard 22in cpl., Dancing Bear	incl. Fasteners
3	062551-003	Spoke guard 22in cpl., Jungle Fever	incl. Fasteners
4	062551-004	Spoke guard 22in cpl., Superhero	incl. Fasteners
5	062551-005	Spoke guard 22in cpl., Happy Lions	incl. Fasteners
6	062551-006	Spoke guard 22in cpl., Water World	incl. Fasteners
7	062551-007	Spoke guard 22in cpl., Randolph	incl. Fasteners
8	062551-008	Spoke guard 22in cpl., Monkeys	incl. Fasteners

Pos	Item number	Description	Comment
9	062551-009	Spoke guard 22in cpl., Pirates	incl. Fasteners
10	062551-010	Spoke guard 22in cpl., Tiger	incl. Fasteners
11	062551-011	Spoke guard 22in cpl., Zebra	incl. Fasteners
1	062553-001	Spoke guard 24in cpl., Princess	incl. Fasteners
2	062553-002	Spoke guard 24in cpl., Dancing Bear	incl. Fasteners
3	062553-003	Spoke guard 24in cpl., Jungle Fever	incl. Fasteners
4	062553-004	Spoke guard 24in cpl., Superhero	incl. Fasteners
5	062553-005	Spoke guard 24in cpl., Happy Lions	incl. Fasteners
6	062553-006	Spoke guard 24in cpl., Water World	incl. Fasteners
7	062553-007	Spoke guard 24in cpl., Randolph	incl. Fasteners
8	062553-008	Spoke guard 24in cpl., Monkeys	incl. Fasteners
9	062553-009	Spoke guard 24in cpl., Pirates	incl. Fasteners
10	062553-010	Spoke guard 24in cpl., Tiger	incl. Fasteners
11	062553-011	Spoke guard 24in cpl., Zebra	incl. Fasteners
-	000118004-ET	Fastener used with spoke guards	Pack of 25

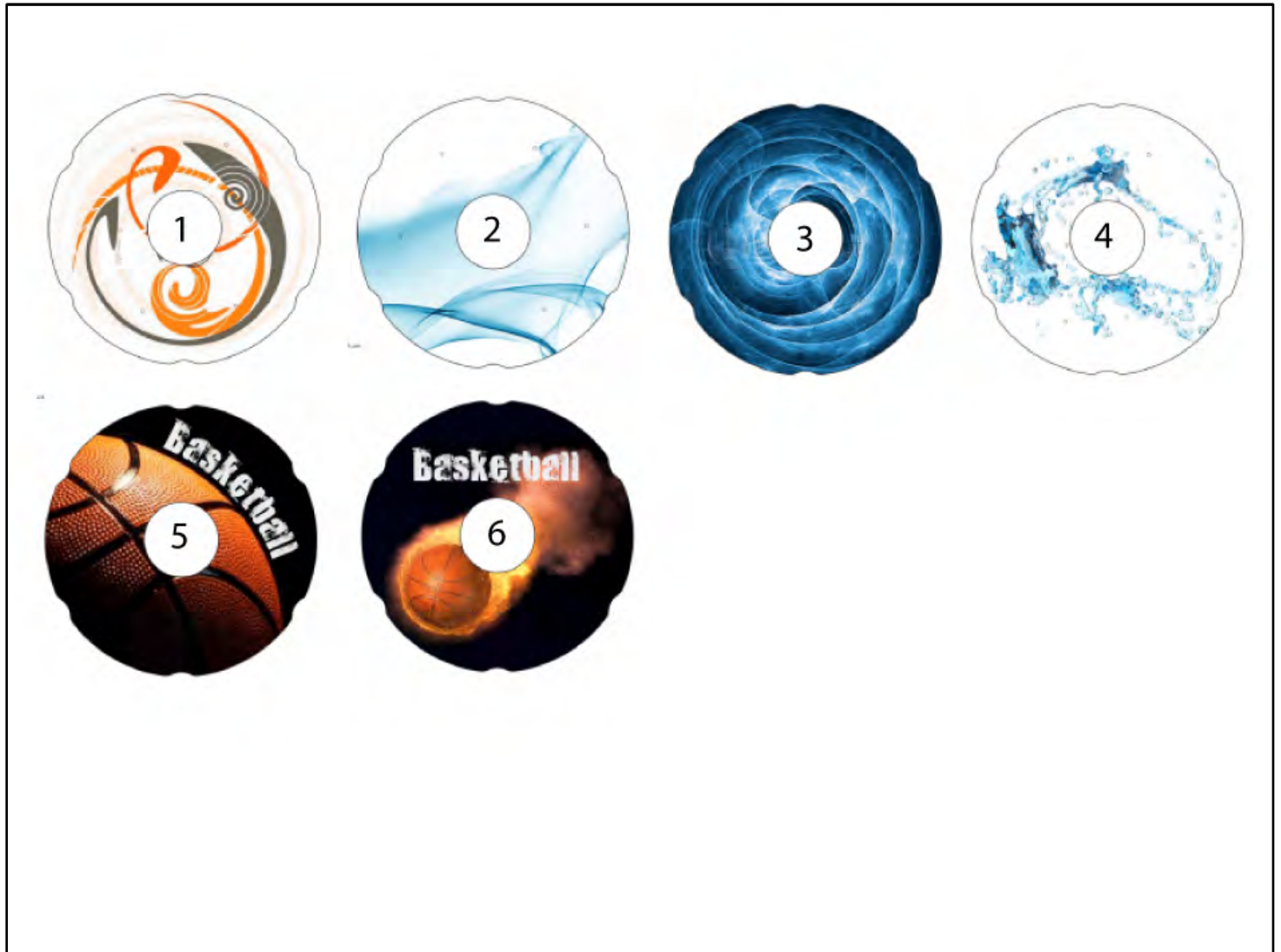
Spoke guards, teens



Pos	Item number	Description	Comment
1	062551-012	Spoke guard 22in cpl., Abstract	incl. Fasteners
2	062551-013	Spoke guard 22in cpl., Racing	incl. Fasteners
3	062551-014	Spoke guard 22in cpl., Pool	incl. Fasteners
4	062551-015	Spoke guard 22in cpl., Oriental	incl. Fasteners
5	062551-016	Spoke guard 22in cpl., Dirt Race	incl. Fasteners
6	062551-017	Spoke guard 22in cpl., Feather	incl. Fasteners
7	062551-018	Spoke guard 22in cpl., Hot Wheels	incl. Fasteners
8	062551-019	Spoke guard 22in cpl., Chrome Wheel	incl. Fasteners

Pos	Item number	Description	Comment
9	062551-020	Spoke guard 22in cpl., Graffiti	incl. Fasteners
1	062553-012	Spoke guard 24in cpl., Abstract	incl. Fasteners
2	062553-013	Spoke guard 24in cpl., Racing	incl. Fasteners
3	062553-014	Spoke guard 24in cpl., Pool	incl. Fasteners
4	062553-015	Spoke guard 24in cpl., Oriental	incl. Fasteners
5	062553-016	Spoke guard 24in cpl., Dirt Race	incl. Fasteners
6	062553-017	Spoke guard 24in cpl., Feather	incl. Fasteners
7	062553-018	Spoke guard 24in cpl., Hot Wheels	incl. Fasteners
8	062553-019	Spoke guard 24in cpl., Chrome Wheel	incl. Fasteners
9	062553-020	Spoke guard 24in cpl., Graffiti	incl. Fasteners
-	000118004-ET	Fastener used with spoke guards	Pack of 25
-	062553-033	Spoke guard 24in cpl., transparent	incl. Fasteners
-	062551-033	Spoke guard 22in cpl., transparent	incl. Fasteners

Spoke guards, adults

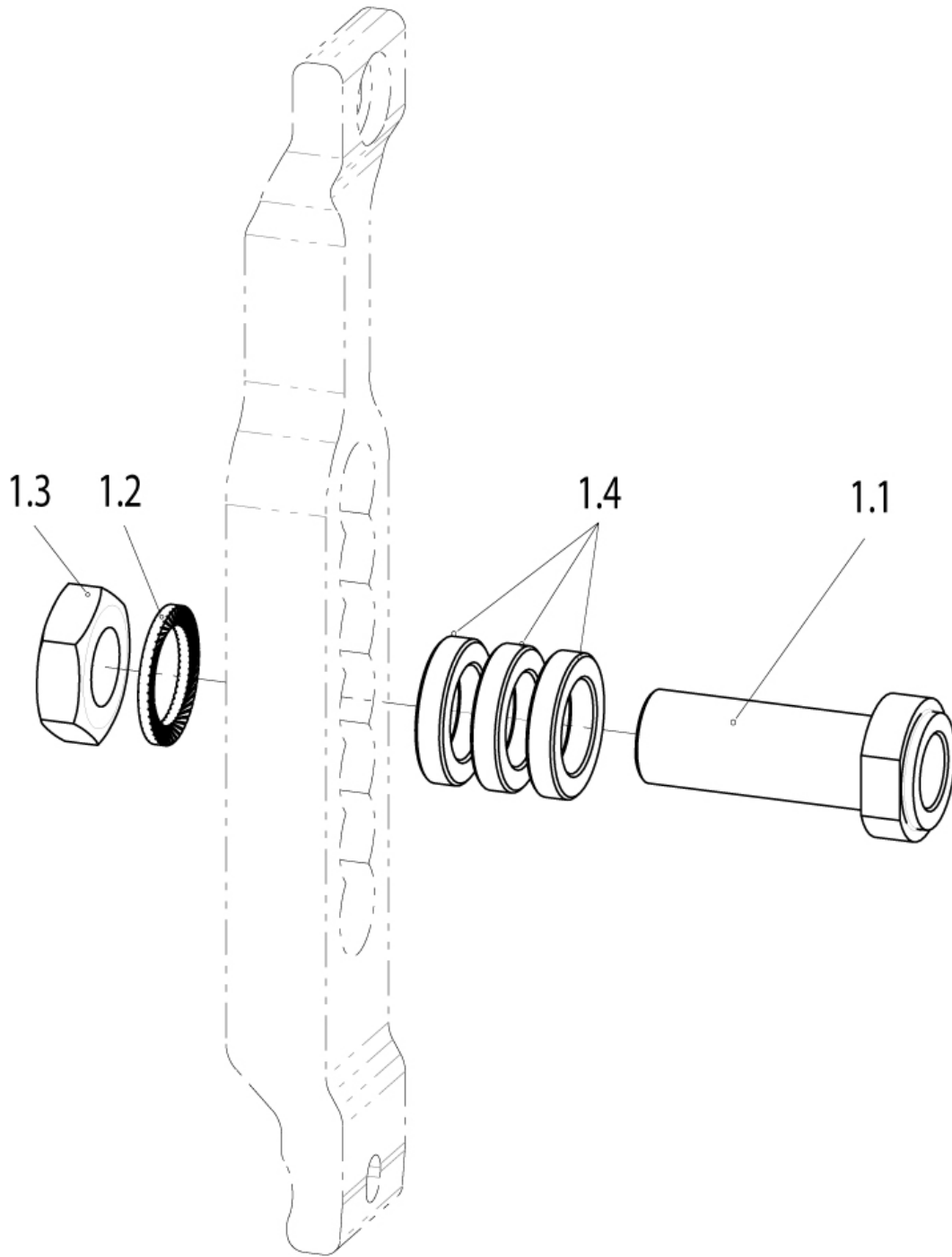


Pos	Item number	Description	Comment
1	062551-021	Spoke guard 22in cpl., Creative	incl. Fasteners
2	062551-022	Spoke guard 22in cpl., Silk	incl. Fasteners
3	062551-023	Spoke guard 22in cpl., Space	incl. Fasteners
4	062551-024	Spoke guard 22in cpl., Flying Water	incl. Fasteners
5	062551-025	Spoke guard 22in cpl., Basketball	incl. Fasteners
6	062551-026	Spoke guard 22in cpl., Basketball 2	incl. Fasteners
1	062553-021	Spoke guard 24in cpl., Creative	incl. Fasteners
2	062553-022	Spoke guard 24in cpl., Silk	incl. Fasteners

Pos	Item number	Description	Comment
3	062553-023	Spoke guard 24in cpl., Space	incl. Fasteners
4	062553-024	Spoke guard 24in cpl., Flying Water	incl. Fasteners
5	062553-025	Spoke guard 24in cpl., Basketball	incl. Fasteners
6	062553-026	Spoke guard 24in cpl., Basketball 2	incl. Fasteners
-	000118004-ET	Fastener used with spoke guards	Pack of 25

Screw in adapter

Screw in adapter

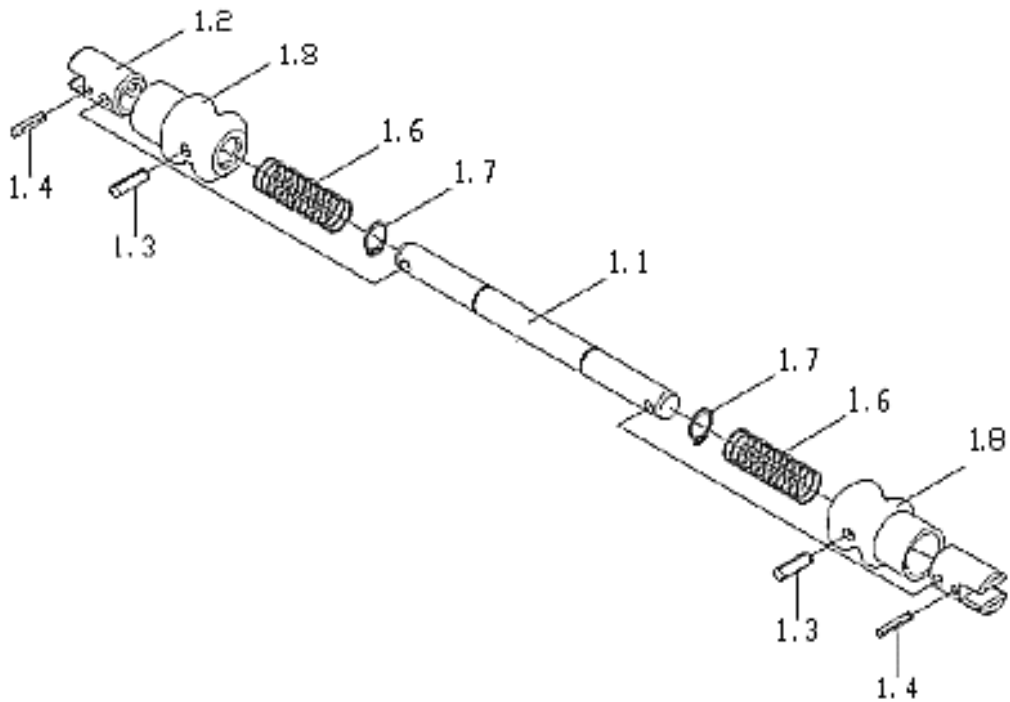


Pos	Item number	Description	Comment
1.1-1.4	000853013	Screw-in adapter, long, cpl. (with 3 spacer rings: 5 mm)	for 0 - 4deg camber
1.1-1.4	84607001-ET	Screw-in adapter, long, cpl. (with 3 spacer rings: 5 mm)	for 5+6deg camber
1.2	000138002-ET	Lock washer VS 16	Pack of 10

Pos	Item number	Description	Comment
1.3	000220256-ET	Hex nut M 16 x 1	Pack of 10
1.4	000851071-ET	Spacer ring 5 mm	Pack of 10
-	000210004-ET	Grooved ball bearing DIN 625	Pack of 10

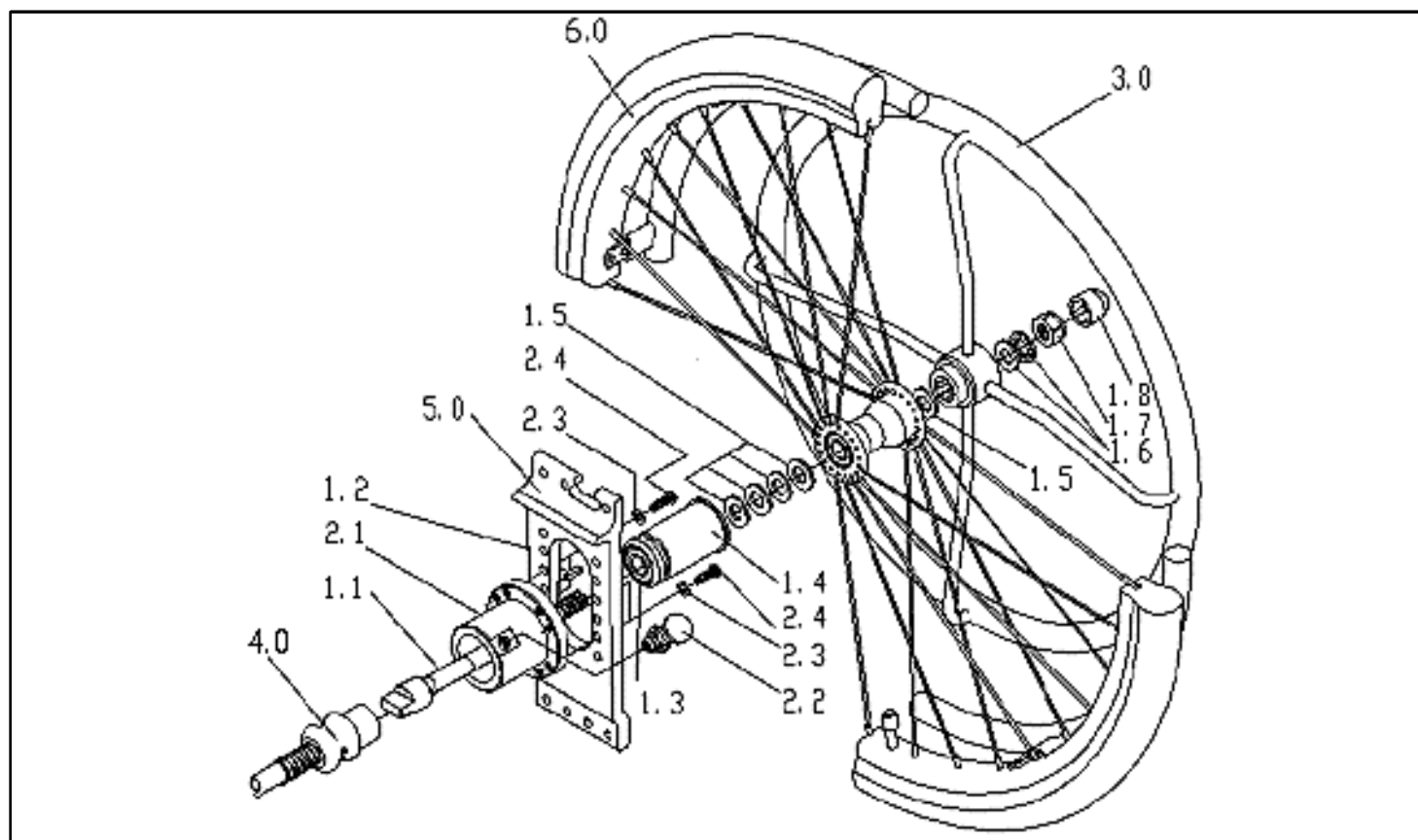
One-arm drive, connecting shaft

One-arm drive, connecting shaft



Pos	Item number	Description	Comment
1.1 - 1.8	000851125	Connecting shaft for one-arm drive, rigid, complete	
1.3	000154051-ET	Cylindrical grooved pin 6 x 20 DIN 1473	Pack of 10
1.4	000156016-ET	Clamping pin 6 x 20 DIN 7343	Pack of 10
1.6	000242027	Compression spring	
1.7	000180004-ET	Locking ring 14 x 1 DIN 471	Pack of 10
1.8	000851122	Stop sleeve for one-arm drive for rigid connecting shaft	

One arm drive

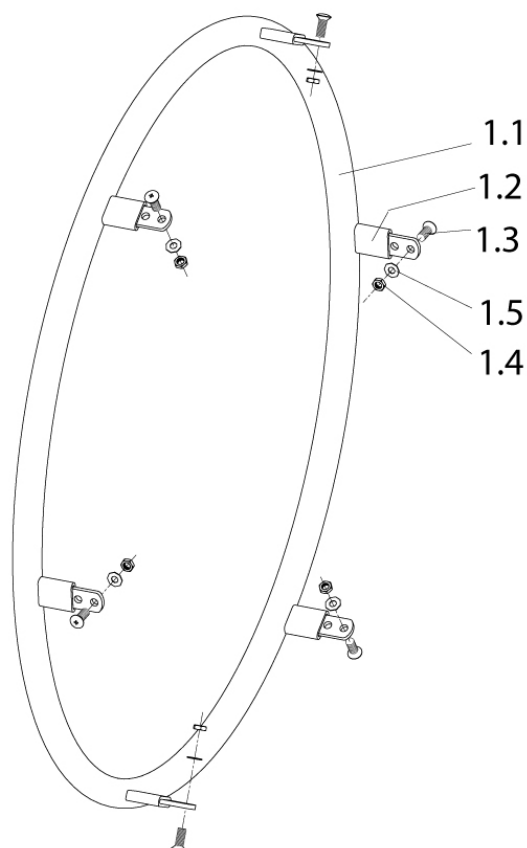


Pos	Item number	Description	Comment
1.1 - 6.0	763950022	22in one-arm drive, complete. Includes rear wheel unit, revolving wheel unit, connecting shaft, axles, hubs, perforated plates and fitting accessories (without tyres)	right / left
1.1 - 6.0	763950024	24in one-arm drive, complete. Includes rear wheel unit, revolving wheel unit, connecting shaft, axles, hubs, perforated plates and fitting accessories. (without tyres)	right / left
1.1 - 3.0 6.0	000851130	22in rear wheel unit for one-arm drive, complete. With spoke wheel, double handrim, one-arm drive axle, long and one-arm drive hub. (without tyre or perforated plate)	
1.1-3.0 6.0	000851131	24in rear wheel unit for one-arm operation, complete. With spoke wheel, double handrim, one-arm drive axle, long and one-arm drive hub. (without tyre or perforated plate)	
	000851132	22in revolving wheel unit for one-arm drive, complete. With spoke wheel, one-arm drive axle, short, one-arm drive hub and fitting accessories (without tyre or perforated plate)	
	000851133	24in revolving wheel unit for one-arm drive, complete. With spoke wheel, one-arm drive axle, short, one-arm drive hub and fitting accessories (without tyre or perforated plate)	
1.1	000851123	Short one-arm drive axle, 153.0 mm on revolving wheel side	
1.1	000851124	Long one-arm drive axle, 168.5 on rear wheel side	
1.2	000170002-ET	5 x 5 x 20 key, shape A DIN 6885	Pack of 5
1.2	000170001-ET	5 x 5 x 16 key, shape A DIN 6885	Pack of 5
1.3	000210004-ET	Grooved ball bearing DIN 625	Pack of 10

One arm drive

Pos	Item number	Description	Comment
1.4	000851107	One-arm drive hub	
1.5	000858006-ET	Washer Ø 18 / 13 x 3 mm	Pack of 25
1.6	000138004-ET	Lock washer VS 12 (jagged washer)	Pack of 25
1.7	000128024-ET	Hex nut M 12 DIN 985	Pack of 25
1.8	000282071-ET	Hex protective cap SW 19 plastic, black	Pack of 10
2.1-2.4	000851109	One-arm drive hub receiver, complete	
2.2	000232003-ET	Snap bolts with nuts	Pack of 5
2.3	000130107-ET	A 6.4 washer DIN 125	Pack of 25
2.4	000102307.01-ET	Oval-head screw M 6 x 20 with Torx drive	Pack of 25
3.0	000854109	Handrim for one-arm drive	
5.0	760850038	Perforated plate for one-arm drive with fitting accessories, complete	right
5.0	760750038	Perforated plate for one-arm drive with fitting accessories, complete	left
4.0		Shaft for one-arm drive (see connecting shaft)	
	000851102	24in spoke wheel for one-arm drive with revolving wheel (without tyre)	
	000851117	22in spoke wheel for one-arm drive with revolving wheel (without tyre)	

Handrim

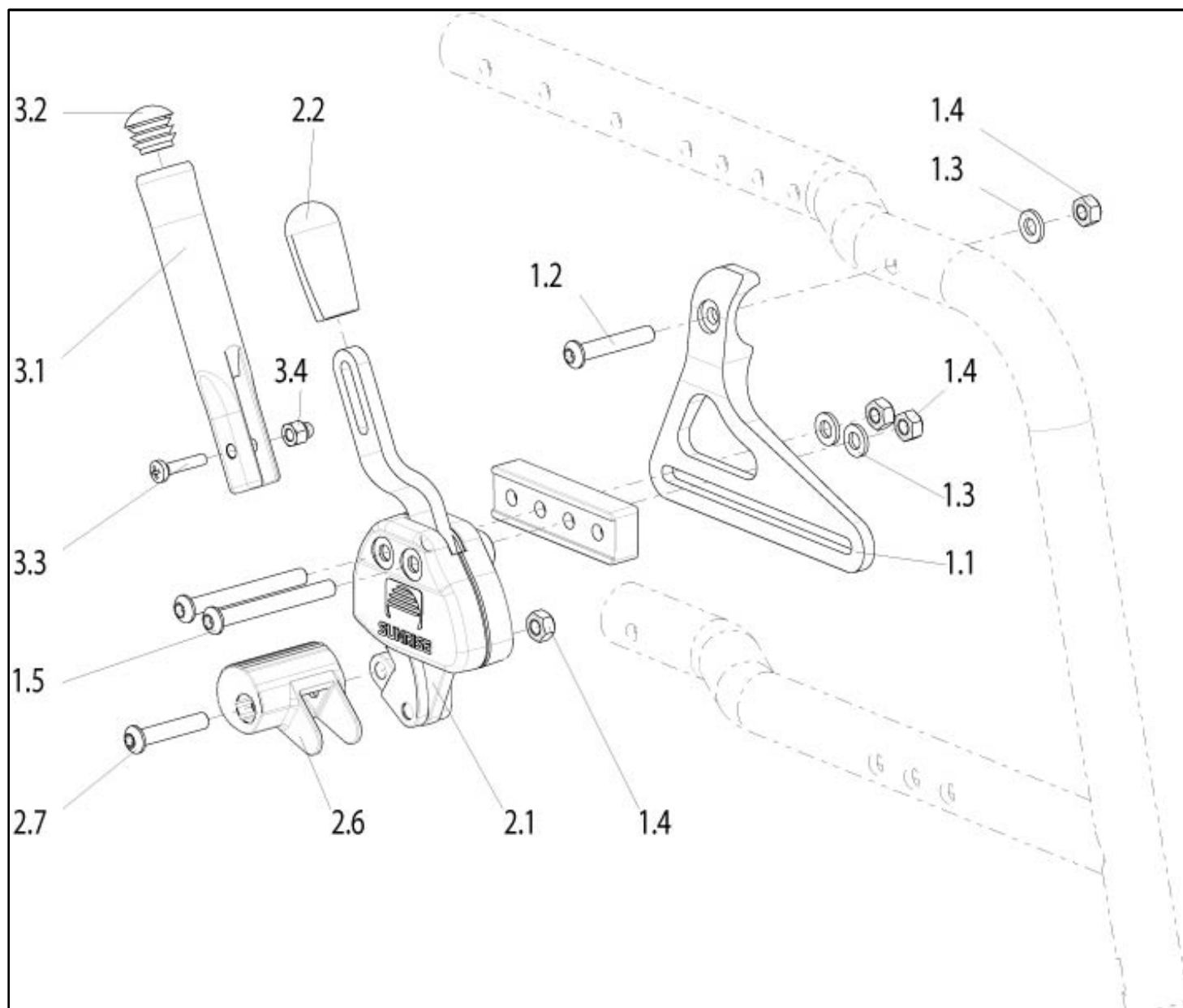


Pos	Item number	Description	Comment
1.1-1.5	000854035.24	24in aluminium handrim, coloured	
1.1-1.5	000854024.22	22in handrim, stainless steel	
1.1-1.5	000854742	22in handrim, high supergrip	
1.1-1.5	066550-003	Lightweight handrim 24in, aluminium, clear coated, incl. mounting accessories	only close mountable
1.1-1.5	066516-003-ET	Lightweight-handrim 24in, Aluminium, anodized, incl. mounting accessories	only close mountable
1.1-1.5	000854024.24	24in handrim, stainless steel	
1.1-1.5	000854624.24	24in handrim, stainless steel, for extra close mount	
1.1-1.5	000854044	24 in handrim, stainless steel, electro polished, middle, incl. mounting accessories, cpl.	
1.1-1.5	000854054	24in handrim, titanium for Universal wheel	
1.1-1.5	000854055	24in handrim, titanium, for Active wheel and lightweight wheel	
1.1-1.5	000854064	24in handrim, titanium, clear varnished for Universal wheel	

Handrim

Pos	Item number	Description	Comment
1.1-1.5	000854065	24in handrim, titanium, clear varnished for Active wheel and lightweight wheel	
1.1-1.5	000854026.28	24in handrim alu, silver anodised (from CW 33/07)	
1.1-1.5	000854026.30	24in handrim alu, silver anodised, clear coated (from CW 33/07)	
1.1-1.5	000854534	24in handrim, central Supergrip	must not be used with Proton and lightweight wheels
1.1-1.5	066551-003	Lightweight handrim 24in, colour coated	only for lightweight wheel
1.1-1.5	000854900	Handrim 24 inch, Supergrip, black incl. mounting accessories	for Spinergy-, Proton- and lightweight wheel
1.1-1.5	000854901	Handrim 25 inch, Titan, blank, incl. mounting accessories	for Spinergy-, Proton- and lightweight wheel
1.1-1.5	000854902	Handrim 25 inch, Titan, clear coated, incl. mounting accessories	for Spinergy-, Proton- and lightweight wheel
1.1-1.5	000854903	Handrim 25 inch, Supergrip, black incl. mounting accessories	for Spinergy-, Proton- and lightweight wheel
1.1-1.5	000854904	Handrim 25 inch, stainless steel, incl. mounting accessories	for Spinergy-, Proton- and lightweight wheel
1.2-1.5	000959906-ET	Fitting accessories for close mount handrim, for 1 wheel	
1.2-1.5	000959913	Fitting accessories for extra close mount handrim, for 1 wheel	
1.2-1.5	000959908-ET	Fitting accessories for wide mount handrim, for 1 wheel	
1.3	000102061-ET	Oval-head screw M 5 x 12 DIN 7985	Pack of 25
1.4	000128005.01-ET	Hex nut M 5 DIN 985	Pack of 25
1.5	000130111-ET	A 5.3 washer DIN 125	Pack of 25
-	000854513	22in handrim cover black	
-	000854514	24in handrim cover black	

Knee lever wheel lock with frame fitting

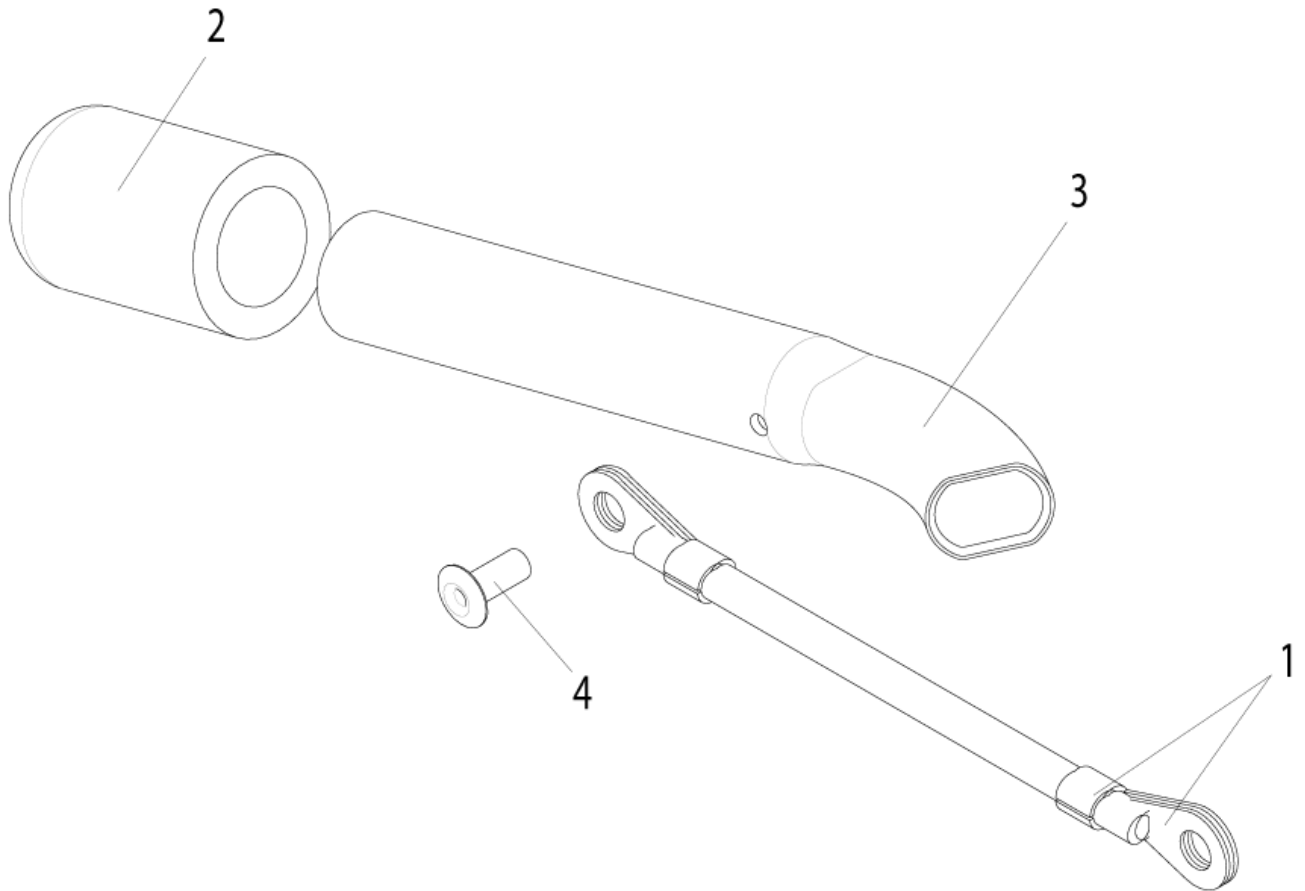


Pos	Item number	Description	Comment
1.1-1.5	84606112	Frame fitting for brake, cpl. for abdu frame	Pair, for abdu frame only
1.1-2.7	84606113	Knee lever brake with frame fitting, complete for abdu frame	Pair, for abdu frame only
1.1-1.5	84406121	Frame fitting for brake, cpl. for abdu frame	Pair, for all frames excl. abdu frame
1.1-2.7	84406120	Knee lever brake with frame fitting, complete for abdu frame	Pair, for all frames excl. abdu frame
1.2	000102304.01-ET	Button head cap screw M 6 x 35 Torx-drive	25 pcs./pack
1.3	000130007-ET	A 6.4 washer DIN 125	25 pcs./pack

Knee lever wheel lock with frame fitting

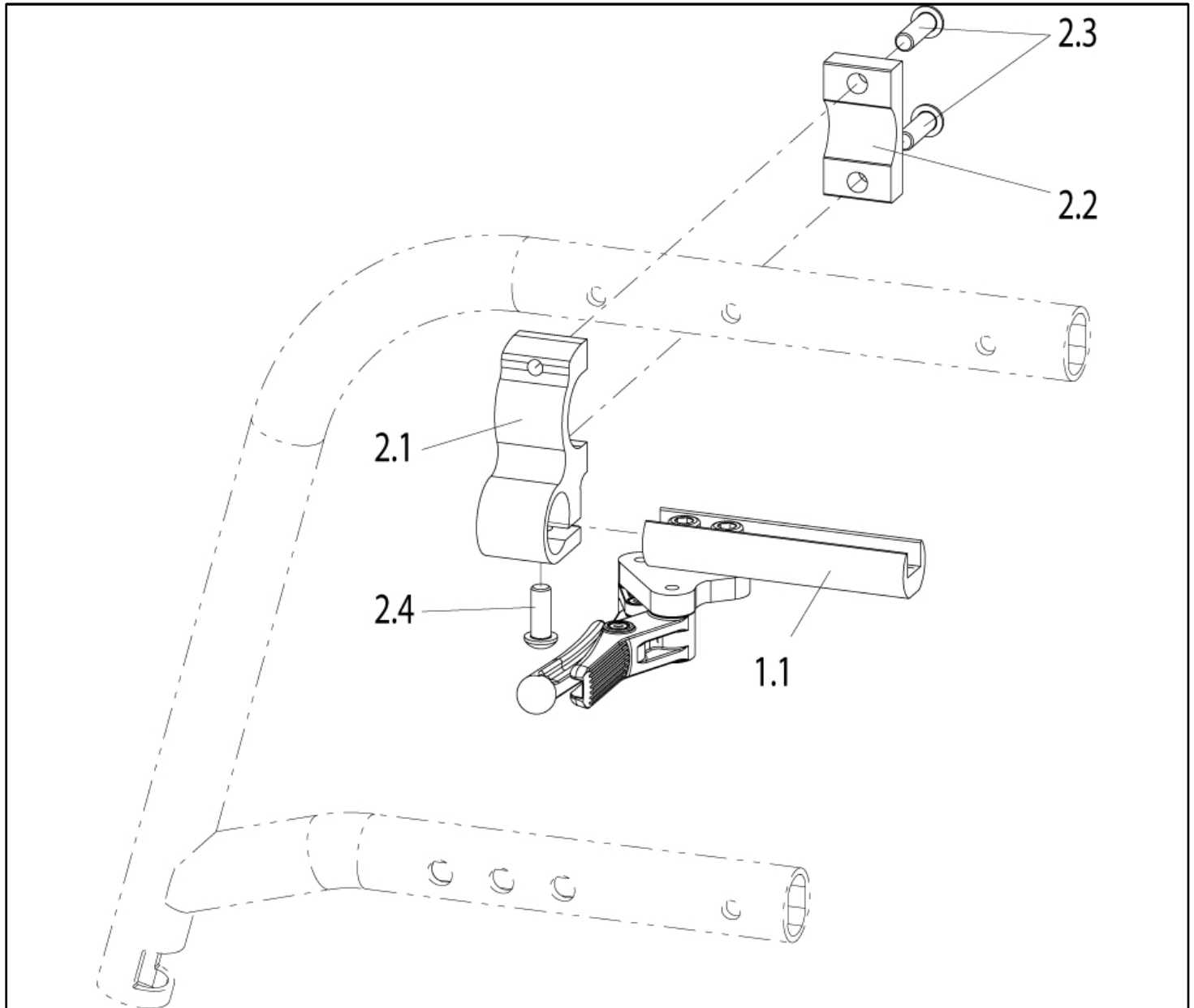
Pos	Item number	Description	Comment
1.4	000128007-ET	Hex nut M 6 DIN 985	25 pcs./pack
1.5	000102314.01-ET	Oval-head screw M 6 x 55 with Torx drive	25 pcs./pack
2.1, 2.6- 2.8	000761250	Knee lever brake	left
2.1, 2.6- 2.8	000861250	Knee lever brake	right
2.1, 2.6- 2.8	000961250	Knee lever brakes	Pair
2.2	000861156-ET	Cover cap for brake lever, black	5 pcs./pack
2.6-2.8	000861252	Brake bolts cpl.	left/right useable
2.7	000102312.01-ET	oval-head screw M 6 x 32 with Torx drive	25 pcs./pack
3.1- 3.3+1.4	000861253	Brake lever extension cpl.	Pair
3.3	000102066-ET	Oval-head screw M 5 x 20 DIN 7985	12 pcs./pack
3.4	000128006-ET	Cap nut M5 DIN 986	25 pcs./pack

Brake Lever Extension



Pos	Item number	Description	Comment
1-4	104325-ET	Brake lever extension, complete	2 pcs./pack

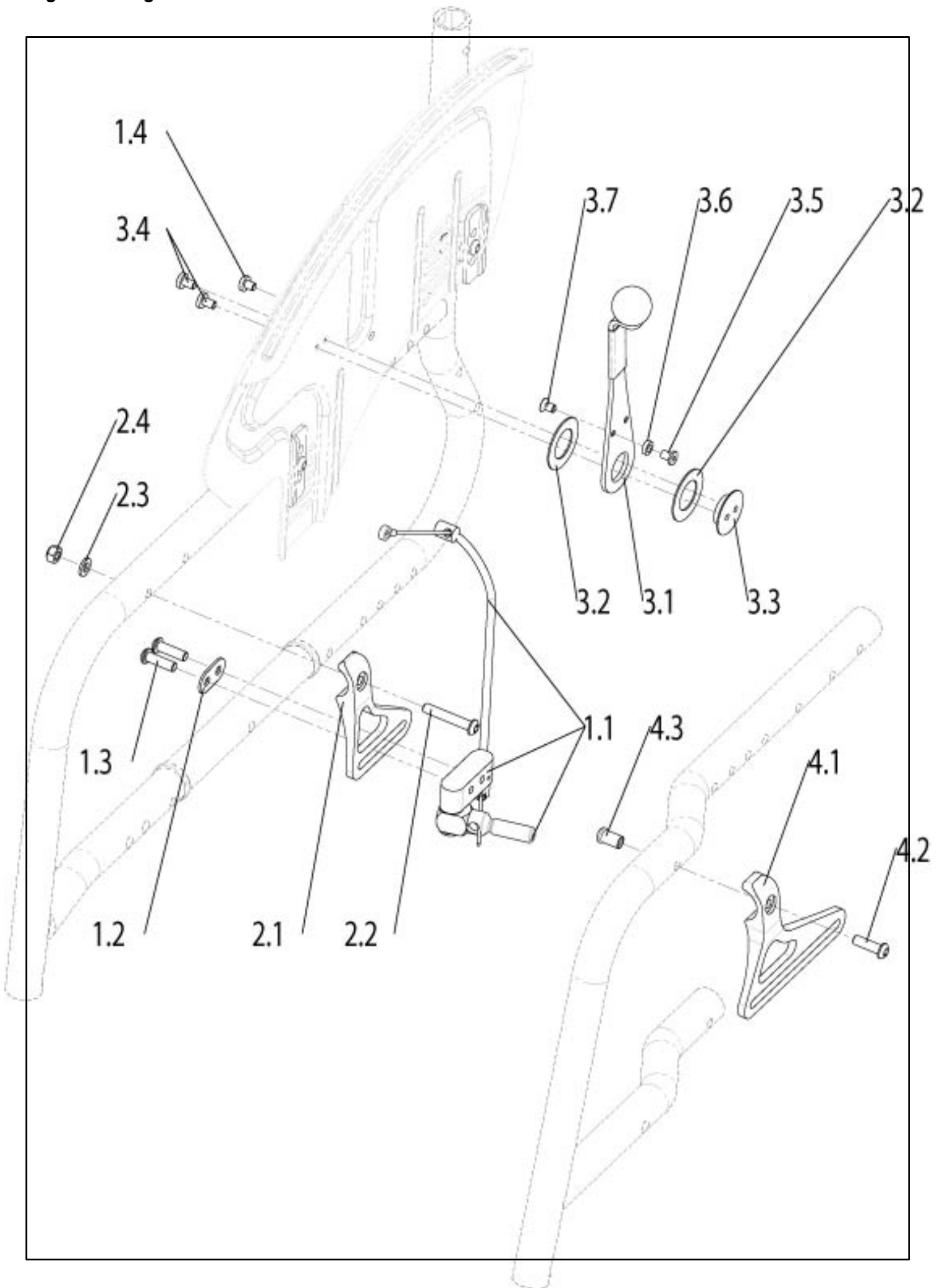
Compact Brake



Pos	Item number	Description	Comment
1.1-2.4	072607	Compact Brake with Fitting accessories complete	Pair
1.1-2.4	072608	Compact Brake with Fitting accessories complete	LH, starting week 15/2012
1.1-2.4	072609	Compact Brake with Fitting accessories complete	RH, starting week 15/2012
1.1	066608-001	Compact brake	LH
1.1	066608-002	Compact brake	RH
2.2-2.4	072606-ET	Fitting accessories for Brake	can be used right & left
2.3	000102307.01-ET	Lens head screw M 6 x 20 with Tuflock, Torx	Pack of 25
2.4	000102309.01-ET	Lens head screw M 6 x 16 with Tuflock, Torx	Pack of 25

Integrated sideguard brake - Safari brake

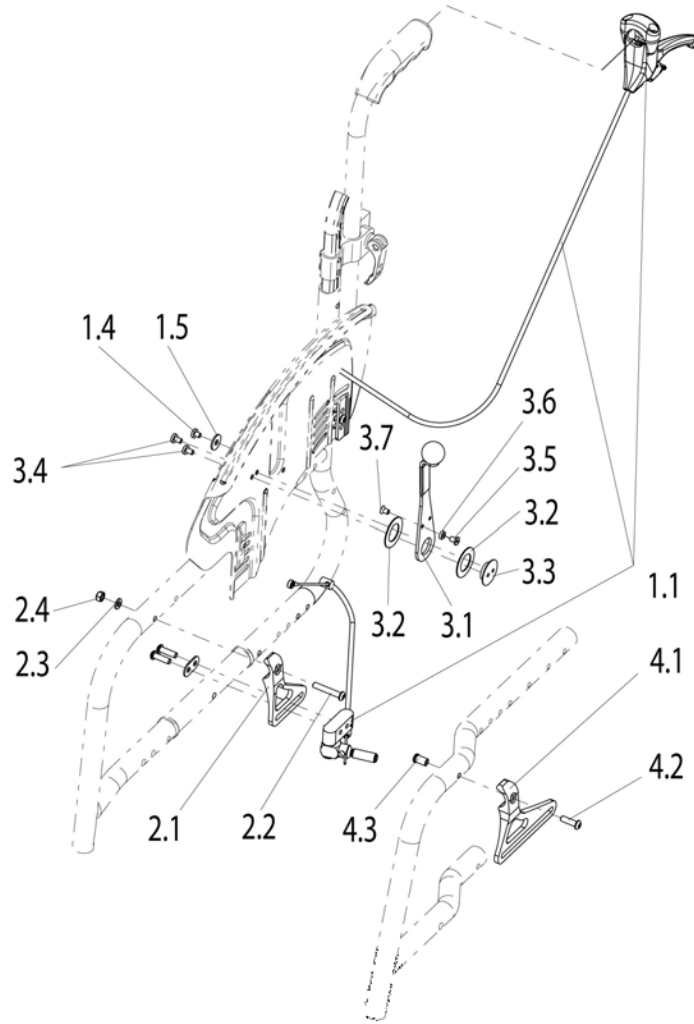
Integrated sideguard brake - Safari brake



Integrated sideguard brake - Safari brake

Pos	Item number	Description	Comment
1.1, 1.4	062634-002	Wheel lock mechanism with bowden cable	LH
-	062634-001	Wheel lock mechanism with bowden cable	RH
1.1-2.4	84606006-000	Safari wheel lock (integrated into side guard) incl. frame attachment (for FF Frame/SA Frame)	Pair
1.1-2.4	84606006-001	Safari wheel lock (integrated into side guard) incl. frame attachment (for FF Frame/SA Frame)	LH
1.1-2.4	84606006-002	Safari wheel lock (integrated into side guard) incl. frame attachment (for FF Frame/SA Frame)	RH
1.1-1.4,4.1-.4.3	84606005-000	Safari wheel lock (integrated into side guard) incl. frame attachment (forAbdu Frame)	Pair
1.1-1.4,4.1-.4.3	84606005-001	Safari wheel lock (integrated into side guard) incl. frame attachment (forAbdu Frame)	LH
1.1-1.4,4.1-.4.3	84606005-002	Safari wheel lock (integrated into side guard) incl. frame attachment (forAbdu Frame)	RH
1.3	058901-001-ET	Socket head cap screw M 6 x 20 - ISO 7380	25 pcs./pack
1.4	103184-001-ET	Socket head cap screw M 5 x 8 - ISO 7380	10 pcs./pack
4.1-4.3	84606114	Frame adaptor incl. mounting accessories for Abdu frame	Pair
2.1-2.4	84606115	Frame adaptor incl. mounting accessories for FF Frame /SA Frame	Pair
2.2	000102304.01-ET	Lense Screw M6x35 Torx	25 pcs./pack
1.3/2.3	000130007-ET	Washer A6,4 DIN125	10 pcs./pack
2.4	000128007-ET	Nut M6 - DIN985	25 pcs./pack
3.1-3.7	062635	Wheel lock lever with pivot parts cpl.	LH/RH useable
3.1	062626-ET	Wheel lock lever cpl.	LH/RH useable
3.4-3.7	062636	Pivot for bowden cable attachment	LH/RH useable
3.7	000104130-ET	Counter sunk screw M 4 x 10 - DIN 7991	10 pcs./pack
3.4	000104129-ET	Socket head cap screw M 5 x 6 - ISO 7380	10 pcs./pack
4.2	000102307.01-ET	Oval-head screw M6x20 with Torx drive	25 pcs./pack
4.3	840826007-ET	Lense screw M6x20	25 pcs./pack
1.2	054435	double washer	

Integrated sideguard brake - Safari brake -, Attendant

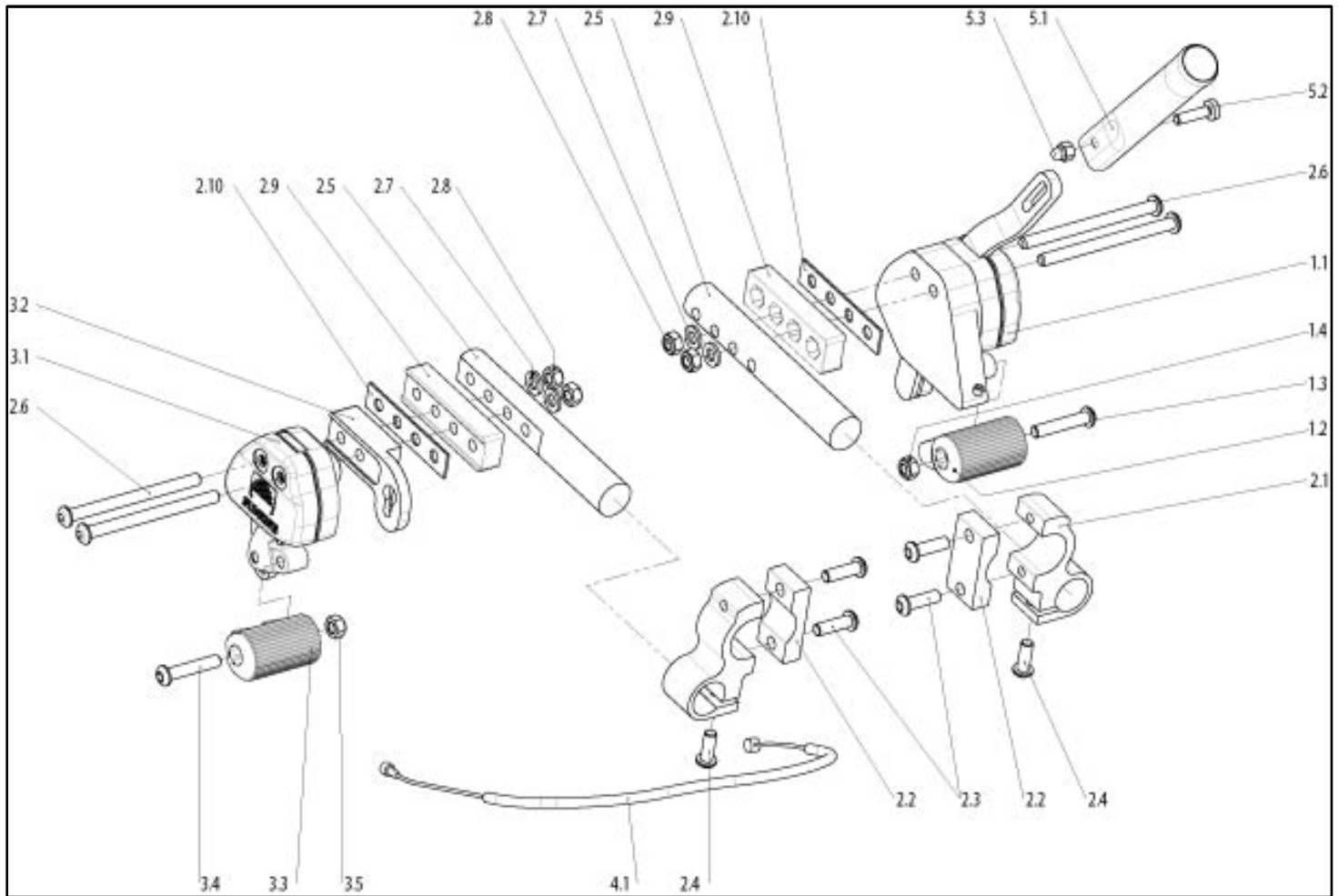


Pos	Item number	Description	Comment
1.1, 1.4-1.5	062643-002	Attendant Safari wheel lock mechanism with cable cpl.	LH
-	062643-001	Attendant Safari wheel lock mechanism with cable cpl.	RH
1.3	058901-001-ET	Socket head cap screw M 6 x 20 - ISO 7380	25 pcs./pack
1.5	103184-001-ET	Washer A 6,4 - DIN 9021	25 pcs./pack
1.4, 3.4	103184-001-ET	Socket head cap screw M 5 x 8 - ISO 7380	10 pcs./pack
4.1-4.3	84606114	Frame adaptor incl. mounting accessories for Abdu frame	Pair
2.1-2.4	84606115	Frame adaptor incl. mounting accessories for FF Frame /SA Frame	Pair
2.2	000102304.01-ET	Lense Screw M6x35 Torx	25 pcs./pack
2.3	000130007-ET	Washer A6,4 DIN125	10 pcs./pack
2.4	000128007-ET	Nut M6 - DIN985	25 pcs./pack
3.1-3.7	062635	Wheel lock lever with pivot parts cpl.	LH/RH useable

Pos	Item number	Description	Comment
3.1	062626-ET	Wheel lock lever cpl.	LH/RH useable
3.4-3.7	062636	Pivot for bowden cable attachment	LH/RH useable
3.7	000104130-ET	Counter sunk screw M 4 x 10 - DIN 7991	10 pcs./pack
4.3	840826007-ET	Sleeve nut M6 x 15.2	10 pcs./pack

One arm brake

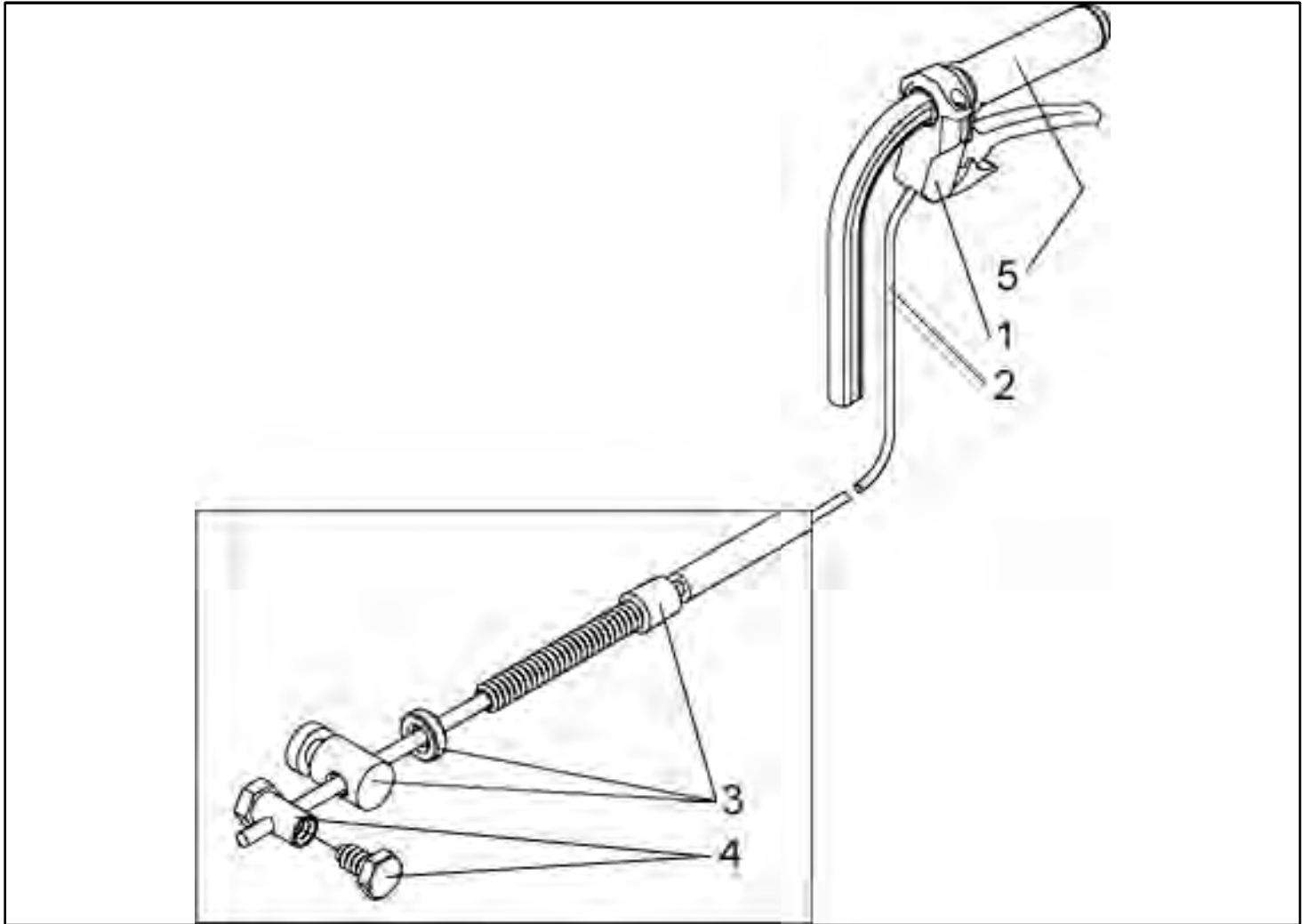
One arm brake



Pos	Item number	Description	Comment
5.1-5.3	000861253	Brake lever extension, complete	2 pcs/pack
5.2	000102066-ET	Oval-head screw M 5 x 20 DIN 7985	Pack of 12
5.3	000128006-ET	Hex nut M5 DIN 985	Pack of 25
1.2-1.4, 3.3-3.5	000861252	Brake bolts, complete	
1.3, 3.4	000102312.01-ET	Oval-head screw M 6 x 32 with Torx drive	Pack of 25
1.4, 3.5	000128007-ET	Hex nut M6 DIN 985	Pack of 25
2.3	000102307.01-ET	Oval-head screw M 6 x 20 with Torx drive	Pack of 25
4.1	000862223.01	Cables for one-arm brake, short, complete	SW 24-30
4.1	000862223.02	Cables for one-arm brake, medium, complete	SW 32-40
4.1	000862223.03	Cables for one-arm brake, long, complete	SW 42-50
1.1- 2.10+5.1- 5.3	84606200-001	One arm brake, activation side, cpl.	right
1.1- 2.10+5.1- 5.3	84606200-002	One arm brake, activation side, cpl.	left

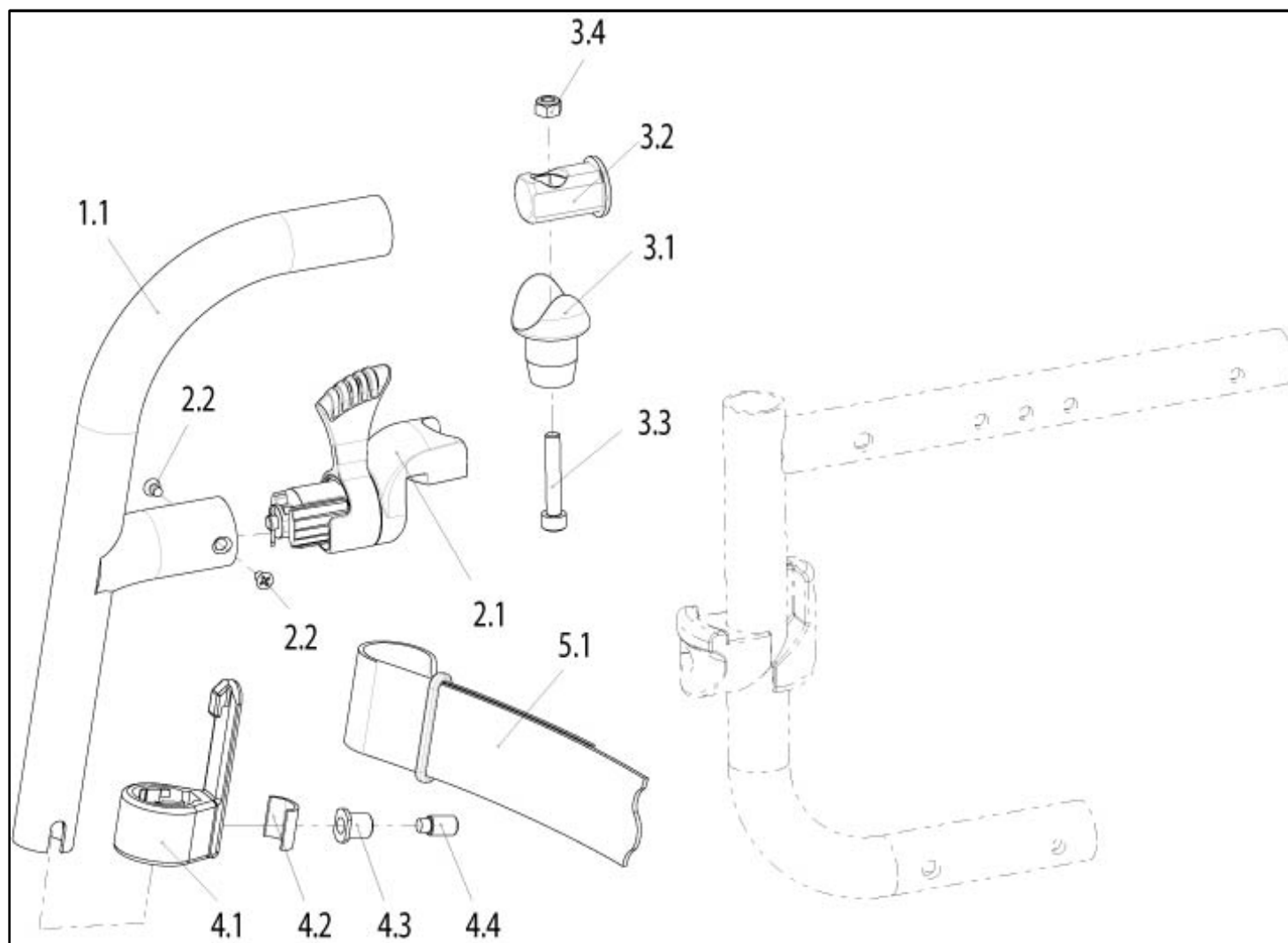
Pos	Item number	Description	Comment
2.1-3.5	84606200-003	One arm brake, revolving side, cpl.	left
2.1-3.5	84606200-004	One arm brake, revolving side, cpl.	right
2.1-2.4	072606-ET	Mounting accessories for one arm brake	2 pcs/pack
2.1-2.10	84606201	Assambly kit for one arm brake	
2.4	000102309.01-ET	Oval-head screw M 6 x 16 with Torx drive	Pack of 25
2.6	000104021-ET	Round head screw M8X80 10.9DAC	Pack of 25
2.7	000130106-ET	Washer A 6,4 DIN 125	Pack of 25
2.8	000128007-ET	Hex nut M6 DIN 985	Pack of 25

Activation for Drum brake/ Quick release axle



Pos	Item number	Description	Comment
1-4	000861012-ET	Activation for drum brakes/quick-release axle, complete (standard back tube)	2 pcs./pack
1-4	000861014-ET	Activation for drum brake	2 pcs./pack
3-4	000228031	Accessories for cables	
1	000228022	Activation lever	
2	000228030	Cables	
4	760861017-ET	Sleeve nut with screw	pack of 10
5	71104051-001-ET	Handgrip used with drum brake push handle	pack of 10

Footrest Aluminum Version



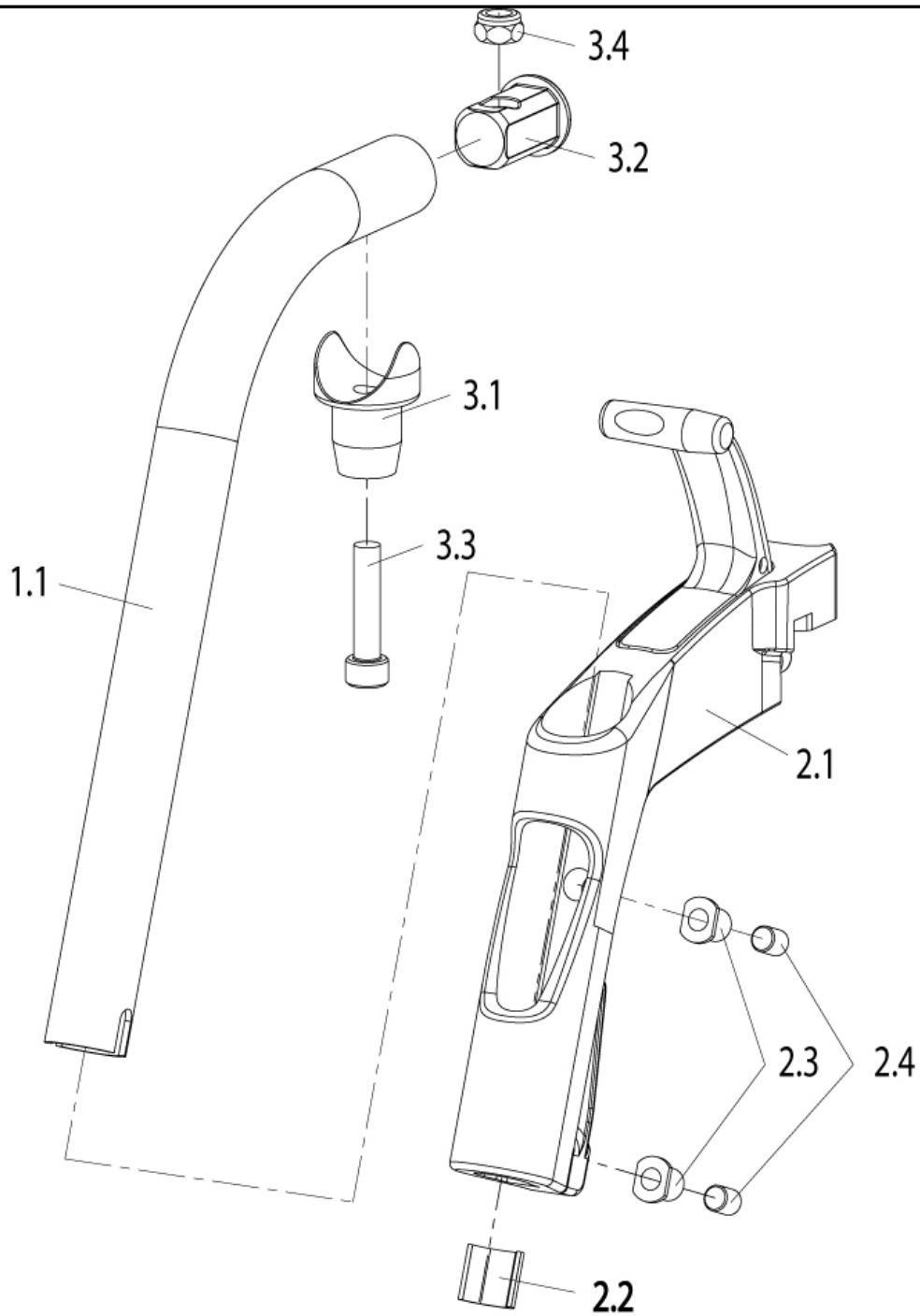
Pos	Item number	Description	Comment
2.2	000114007-ET	Countersunk screw 3,5x8 10.9	25 pcs./pack
3.1-3.4	76705022	Swing Away equipment cpl.	left/right useable
3.3	103496-007-ET	Cheese Head Screw DIN 912 M8 x 30	25 pcs./pack
3.4	000128018-ET	Hex nut - DIN 985 - M8	25 pcs./pack
4.1 - 4.4	76705023	Calf strap Bracket with Footrestclamp complete (1Side)	
4.2	064918	Push joint for footrest assembly	10 pcs./pack
4.3	76705024	Nut for footrest assembly	2 pcs./pack
4.4	066903-001-ET	Headless screw M8 x 16 DIN 915	25 pcs./pack
5.1	000813004	Calf strap SW 30 - 36 cm, complete	
5.1	000813006	Calf strap SW 38 - 54 cm, complete	
2.1-2.2	76705021	Locking mechanism complete	
1.1-4.4	07202001-001	Hanger Alu 70 Degree cpl. Mattsilver 450 (1 Side)	
1.1-4.4	07202001-002	Hanger Alu 80 Degree cpl. Mattsilver 450 (1 Side)	

Footrest Aluminum Version

Pos	Item number	Description	Comment
1.1-4.4	07202002-001	Hanger Alu 70 Degree cpl. Silver (475) (1 Side)	
1.1-4.4	07202002-002	Hanger Alu 80 Degree cpl. Silver (475) (1 Side)	
1.1-4.4	07202003-001	Hanger Alu 70 Degree cpl. Sun Yellow 1018 (1 Side)	
1.1-4.4	07202003-002	Hanger Alu 80 Degree cpl. Sun Yellow 1018 (1 Side)	
1.1-4.4	07202004-001	Hanger Alu 70 Degree cpl. Matt lime (456) (1 Side)	
1.1-4.4	07202004-002	Hanger Alu 80 Degree cpl. Matt lime (456) (1 Side)	
1.1-4.4	07202005-001	Hanger Alu 70 Degree cpl. Blue (5005) (1 Side)	
1.1-4.4	07202005-002	Hanger Alu 80 Degree cpl. Blue (5005) (1 Side)	
1.1-4.4	07202006-001	Hanger Alu 70 Degree cpl. Brillant marine (426) (1 Side)	
1.1-4.4	07202006-002	Hanger Alu 80 Degree cpl. Brillant marine (426) (1 Side)	
1.1-4.4	07202007-001	Hanger Alu 70 Degree cpl. Ruby Red (3003) (1 Side)	
1.1-4.4	07202007-002	Hanger Alu 80 Degree cpl. Ruby Red (3003) (1 Side)	
1.1-4.4	07202008-001	Hanger Alu 70 Degree cpl. Brillant Red (420) (1 Side)	
1.1-4.4	07202008-002	Hanger Alu 80 Degree cpl. Brillant Red (420) (1 Side)	
1.1-4.4	07202009-001	Hanger Alu 70 Degree cpl. Silver Texture (300) (1 Side)	
1.1-4.4	07202009-002	Hanger Alu 80 Degree cpl. Silver Texture (300) (1 Side)	
1.1-4.4	07202010-001	Hanger Alu 70 Degree cpl. Graphitmetallic 414 (1 Side)	
1.1-4.4	07202010-002	Hanger Alu 80 Degree cpl. Graphitmetallic 414 (1 Side)	
1.1-4.4	07202011-001	Hanger Alu 70 Degree cpl. Platinmetallic 314 (1 Side)	
1.1-4.4	07202011-002	Hanger Alu 80 Degree cpl. Platinmetallic 314 (1 Side)	
1.1-4.4	07202012-001	Hanger Alu 70 Degree cpl. Matt black (9105) (1 Side)	
1.1-4.4	07202012-002	Hanger Alu 80 Degree cpl. Matt black (9105) (1 Side)	
1.1-4.4	07202013-001	Hanger Alu 70 Degree cpl. Signal white (9003) (1 Side)	
1.1-4.4	07202013-002	Hanger Alu 80 Degree cpl. Signal white (9003) (1 Side)	
1.1-4.4	07202014-001	Hanger Alu 70 Degree cpl. Pink (4010) (1 Side)	
1.1-4.4	07202014-002	Hanger Alu 80 Degree cpl. Pink (4010) (1 Side)	
1.1-4.4	07202015-001	Hanger Alu 70 Degree cpl. Sky Blue (319) (1 Side)	
1.1-4.4	07202015-002	Hanger Alu 80 Degree cpl. Sky Blue (319) (1 Side)	
1.1-4.4	07202016-001	Hanger Alu 70 Degree cpl. Capuccino (320) (1 Side)	
1.1-4.4	07202016-002	Hanger Alu 80 Degree cpl. Capuccino (320) (1 Side)	
1.1-4.4	07202017-001	Hanger Alu 70 Degree cpl. Kiwi (321) (1 Side)	
1.1-4.4	07202017-002	Hanger Alu 80 Degree cpl. Kiwi (321) (1 Side)	
1.1-4.4	07202018-001	Hanger Alu 70 Degree cpl. Flamingo-Glitter (322) (1 Side)	
1.1-4.4	07202018-002	Hanger Alu 80 Degree cpl. Flamingo-Glitter (322) (1 Side)	
1.1-4.4	07202019-001	Hanger Alu 70 Degree cpl. Azuri Blue 424 (1 Side)	
1.1-4.4	07202019-002	Hanger Alu 80 Degree cpl. Azuri Blue 424 (1 Side)	
1.1-4.4	072240-001	Hanger Alu 70 Degree cpl. Brillant Silver (205) (1 Side)	
1.1-4.4	072240-001	Hanger Alu 70 Degree cpl. Brillant Silver (205) (1 Side)	
1.1-4.4	072240-002	Hanger Alu 80 Degree cpl. Brillant Silver (205) (1 Side)	

Pos	Item number	Description	Comment
1.1-4.4	072240-002	Hanger Alu 80 Degree cpl. Brillant Silver (205) (1 Side)	
1.1-4.4	072241-001	Hanger Alu 70 Degree cpl. Tutti Frutti Orange (2009) (1 Side)	
1.1-4.4	072241-001	Hanger Alu 70 Degree cpl. Tutti Frutti Orange (2009) (1 Side)	
1.1-4.4	072241-002	Hanger Alu 80 Degree cpl. Tutti Frutti Orange (2009) (1 Side)	
1.1-4.4	072241-002	Hanger Alu 80 Degree cpl. Tutti Frutti Orange (2009) (1 Side)	
1.1-4.4	072242-001	Hanger Alu 70 Degree cpl. Matt marine (455) (1 Side)	
1.1-4.4	072242-001	Hanger Alu 70 Degree cpl. Matt marine (455) (1 Side)	
1.1-4.4	072242-002	Hanger Alu 80 Degree cpl. Matt marine (455) (1 Side)	
1.1-4.4	072242-002	Hanger Alu 80 Degree cpl. Matt marine (455) (1 Side)	
1.1-4.4	072243-001	Hanger Alu 70 Degree cpl. Matt Red (451) (1 Side)	
1.1-4.4	072243-001	Hanger Alu 70 Degree cpl. Matt Red (451) (1 Side)	
1.1-4.4	072243-002	Hanger Alu 80 Degree cpl. Matt Red (451) (1 Side)	
1.1-4.4	072243-002	Hanger Alu 80 Degree cpl. Matt Red (451) (1 Side)	
1.1-4.4	072244-001	Hanger Alu 70 Degree cpl. Black (9005) (1 Side)	
1.1-4.4	072244-001	Hanger Alu 70 Degree cpl. Black (9005) (1 Side)	
1.1-4.4	072244-002	Hanger Alu 80 Degree cpl. Black (9005) (1 Side)	
1.1-4.4	072244-002	Hanger Alu 80 Degree cpl. Black (9005) (1 Side)	
1.1-4.4	072245-001	Hanger Alu 70 Degree cpl. White (9010) (1 Side)	
1.1-4.4	072245-001	Hanger Alu 70 Degree cpl. White (9010) (1 Side)	
1.1-4.4	072245-002	Hanger Alu 80 Degree cpl. White (9010) (1 Side)	
1.1-4.4	072245-002	Hanger Alu 80 Degree cpl. White (9010) (1 Side)	
1.1-4.4	072250-001	Hanger Alu 70 Degree cpl. Mars Red (318) (1 Side)	
1.1-4.4	072250-001	Hanger Alu 70 Degree cpl. Mars Red (318) (1 Side)	
1.1-4.4	072250-002	Hanger Alu 80 Degree cpl. Mars Red (318) (1 Side)	
1.1-4.4	072250-002	Hanger Alu 80 Degree cpl. Mars Red (318) (1 Side)	
1.1-4.4	072251-001	Hanger Alu 70 Degree cpl. Dark Chocolate Metallic (315) (1 Side)	
1.1-4.4	072251-001	Hanger Alu 70 Degree cpl. Dark Chocolate Metallic (315) (1 Side)	
1.1-4.4	072251-002	Hanger Alu 80 Degree cpl. Dark Chocolate Metallic (315) (1 Side)	
1.1-4.4	072252-001	Hanger Alu 70 Degree cpl. Brillant lime (427) (1 Side)	
1.1-4.4	072252-002	Hanger Alu 80 Degree cpl. Brillant lime (427) (1 Side)	
1.1-4.4	072253-001	Hanger Alu 70 Degree cpl. Matt-Anthracite (323) (1 Side)	
1.1-4.4	072253-002	Hanger Alu 80 Degree cpl. Matt-Anthracite (323) (1 Side)	
1.1-4.4	072254-001	Hanger Alu 70 Degree cpl. Cyan-Metallic (317) (1 Side)	
1.1-4.4	072254-002	Hanger Alu 80 Degree cpl. Cyan-Metallic (317) (1 Side)	
1.1-4.4	07202021-002	Hanger Alu 80 Degree cpl. Brilliantpurple (423) (1 Seite)	
1.1-4.4	07202020-002	Hanger Alu 80 Degree cpl. Mattpurple (454) (1 Seite)	
1.1-4.4	07202021-001	Hanger Alu 70 Degree cpl. Brilliantpurple (423) (1 Seite)	
1.1-4.4	07202020-001	Hanger Alu 70 Degree cpl. Mattpurple (454) (1 Seite)	

Footrest Plastic Version 80°



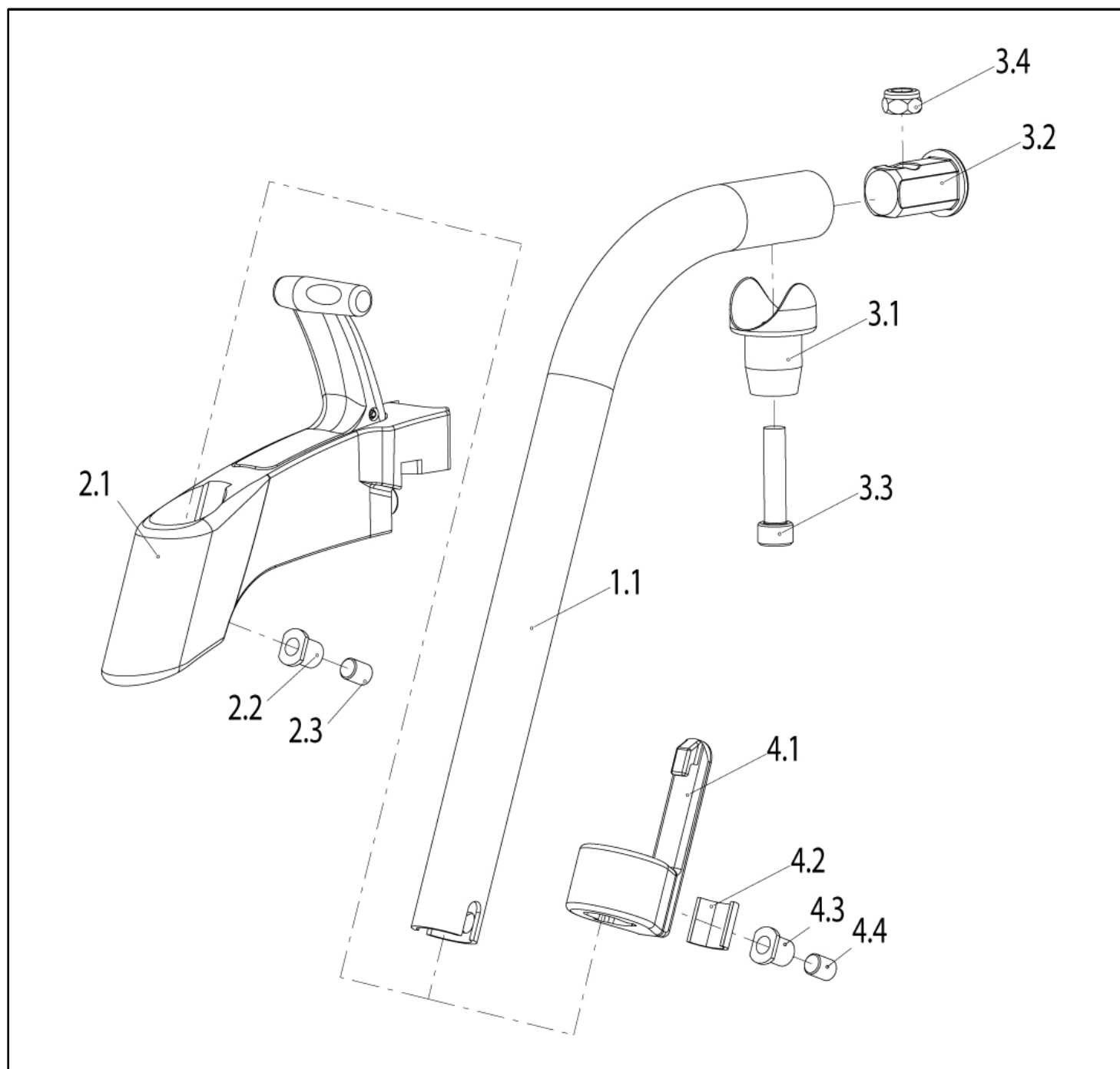
Pos	Item number	Description
2.1-2.4	065205-001	Hanger Housing 80° complete right
2.1-2.4	065205-002	Hanger Housing 80° complete left
3.1-3.4	072208	Hanger Pin complete
1.1-3.4	07202119-001	Hanger Plastic 100 ° cpl. LH, Azuri Blue 424
1.1-3.4	07202105-001	Hanger Plastic 100 ° cpl. LH, blue (5005)
1.1-3.4	072292-001	Hanger Plastic 100 ° cpl. LH, Brillant Lime (427)

Pos	Item number	Description
1.1-3.4	07202106-001	Hanger Plastic 100 ° cpl. LH, Brillant marine
1.1-3.4	07202108-001	Hanger Plastic 100 ° cpl. LH, Brillant red (420)
1.1-3.4	072270-001	Hanger Plastic 100 ° cpl. LH, Brillant silver (205)
1.1-3.4	07202116-001	Hanger Plastic 100 ° cpl. LH, Capuccino (320)
1.1-3.4	072294-001	Hanger Plastic 100 ° cpl. LH, Cyan-Metallic (317)
1.1-3.4	072294-001	Hanger Plastic 100 ° cpl. LH, Cyan-Metallic (317)
1.1-3.4	072291-001	Hanger Plastic 100 ° cpl. LH, Dark Chocolate Metallic(315)
1.1-3.4	07202118-001	Hanger Plastic 100 ° cpl. LH, FlamingoGlitter322
1.1-3.4	07202110-001	Hanger Plastic 100 ° cpl. LH, Graphitmetallic414
1.1-3.4	07202109-001	Hanger Plastic 100 ° cpl. LH, Silver texture (300)
1.1-3.4	07202115-001	Hanger Plastic 100 ° cpl. LH, Sky Blue (319)
1.1-3.4	07202117-001	Hanger Plastic 100 ° cpl. LH, Kiwi (321)
1.1-3.4	072290-001	Hanger Plastic 100 ° cpl. LH, Mars red (318)
1.1-3.4	072293-001	Hanger Plastic 100 ° cpl. LH, Matt-Anthracite (323)
1.1-3.4	07202104-001	Hanger Plastic 100 ° cpl. LH, Matt lime (456)
1.1-3.4	072272-001	Hanger Plastic 100 ° cpl. LH, Matt marine (455)
1.1-3.4	072273-001	Hanger Plastic 100 ° cpl. LH, Matt red (451)
1.1-3.4	07202112-001	Hanger Plastic 100 ° cpl. LH, Matt black(9005)
1.1-3.4	07202101-001	Hanger Plastic 100 ° cpl. LH, MattSilver (450)
1.1-3.4	07202114-001	Hanger Plastic 100 ° cpl. LH, Pink (4010)
1.1-3.4	07202111-001	Hanger Plastic 100 ° cpl. LH, Platinmetallic 314
1.1-3.4	07202107-001	Hanger Plastic 100 ° cpl. LH, Ruby red (3003)
1.1-3.4	072274-001	Hanger Plastic 100 ° cpl. LH, Black (9005)
1.1-3.4	07202113-001	Hanger Plastic 100 ° cpl. LH, Signal withe(9003)
1.1-3.4	07202102-001	Hanger Plastic 100 ° cpl. LH, Silver (475)
1.1-3.4	07202103-001	Hanger Plastic 100 ° cpl. LH, Sun Yellow 1018
1.1-3.4	072271-001	Hanger Plastic 100 ° cpl. LH, Tutti Frutti Orange (2009)
1.1-3.4	072275-001	Hanger Plastic 100 ° cpl. LH, White (9010)
1.1-3.4	072275-001	Hanger Plastic 100 ° cpl. LH, White (9010)
1.1-3.4	07202119-002	Hanger Plastic 100 ° cpl. RH, Azuri Blue 424
1.1-3.4	07202105-002	Hanger Plastic 100 ° cpl. RH, blue (5005)
1.1-3.4	072292-002	Hanger Plastic 100 ° cpl. RH, Brillant Lime (427)
1.1-3.4	07202106-002	Hanger Plastic 100 ° cpl. RH, Brillant marine
1.1-3.4	07202108-002	Hanger Plastic 100 ° cpl. RH, Brillant red(420)
1.1-3.4	072270-002	Hanger Plastic 100 ° cpl. RH, Brillant silver (205)
1.1-3.4	07202116-002	Hanger Plastic 100 ° cpl. RH, Capuccino (320)
1.1-3.4	072294-002	Hanger Plastic 100 ° cpl. RH, Cyan-Metallic (317)
1.1-3.4	072291-002	Hanger Plastic 100 ° cpl. RH, Dark Chocolate Metallic (315)
1.1-3.4	07202118-002	Hanger Plastic 100 ° cpl. RH, FlamingoGlitter322

Footrest Plastic Version 80°

Pos	Item number	Description
1.1-3.4	07202110-002	Hanger Plastic 100 ° cpl. RH, Graphitmetallic414
1.1-3.4	07202109-002	Hanger Plastic 100 ° cpl. RH, Silver texture(300)
1.1-3.4	07202115-002	Hanger Plastic 100 ° cpl. RH, Sky Blue (319)
1.1-3.4	07202117-002	Hanger Plastic 100 ° cpl. RH, Kiwi (321)
1.1-3.4	072290-002	Hanger Plastic 100 ° cpl. RH, Mars red (318)
1.1-3.4	072293-002	Hanger Plastic 100 ° cpl. RH, Matt-Anthracite (323)
1.1-3.4	07202104-002	Hanger Plastic 100 ° cpl. RH, Matt lime (456)
1.1-3.4	07202112-002	Hanger Plastic 100 ° cpl. RH, Matt black(9005)
1.1-3.4	07202101-002	Hanger Plastic 100 ° cpl. RH, MattSilver (450)
1.1-3.4	07202114-002	Hanger Plastic 100 ° cpl. RH, Pink (4010)
1.1-3.4	07202111-002	Hanger Plastic 100 ° cpl. RH, Platinmetallic 314
1.1-3.4	07202107-002	Hanger Plastic 100 ° cpl. RH, Ruby red (3003)
1.1-3.4	072274-002	Hanger Plastic 100 ° cpl. RH, Black (9005)
1.1-3.4	07202113-002	Hanger Plastic 100 ° cpl. RH, Signal withe(9003)
1.1-3.4	07202102-002	Hanger Plastic 100 ° cpl. RH, Silver (475)
1.1-3.4	07202103-002	Hanger Plastic 100 ° cpl. RH, Sun Yellow 1018
1.1-3.4	072275-002	Hanger Plastic 100 ° cpl. RH, White (9010)
1.1-3.4	072272-002	Hanger Plastic 100 ° cpl. RH, Matt marine (455)
1.1-3.4	072273-002	Hanger Plastic 100 ° cpl. RH, Matt red (451)
1.1-3.4	072271-002	Hanger Plastic 100 ° cpl. RH, Tutti Frutti Orange (2009)
1.1-3.4	07202120-001	Hanger Plastic 100 ° cpl. LH, Mattpurple(454)
1.1-3.4	07202120-002	Hanger Plastic 100 ° cpl. RH, Mattpurple(454)
1.1-3.4	07202121-001	Hanger Plastic 100 ° cpl. LH Brilliantpurple (423)
1.1-3.4	07202121-002	Hanger Plastic 100 ° cpl. RH, Brilliantpurple (423)

Footrest Plastic Version 70°



Pos	Item number	Description	Comment
2.1-2.3	067929-001	Hanger Housing 70° complete left	
2.1-2.3	067929-002	Hanger Housing 70° complete right	
3.1-3.4	072208	Hanger Pin complete	
4.1-4.4	76705023	Calf strap Bracket with Footrestclamp complete (1Side)	
1.1-3.4	07202219-001	Hanger Plastic 110 ° cpl. LH, Azuri Blue 424	
1.1-3.4	07202205-001	Hanger Plastic 110 ° cpl. LH, blue (5005)	

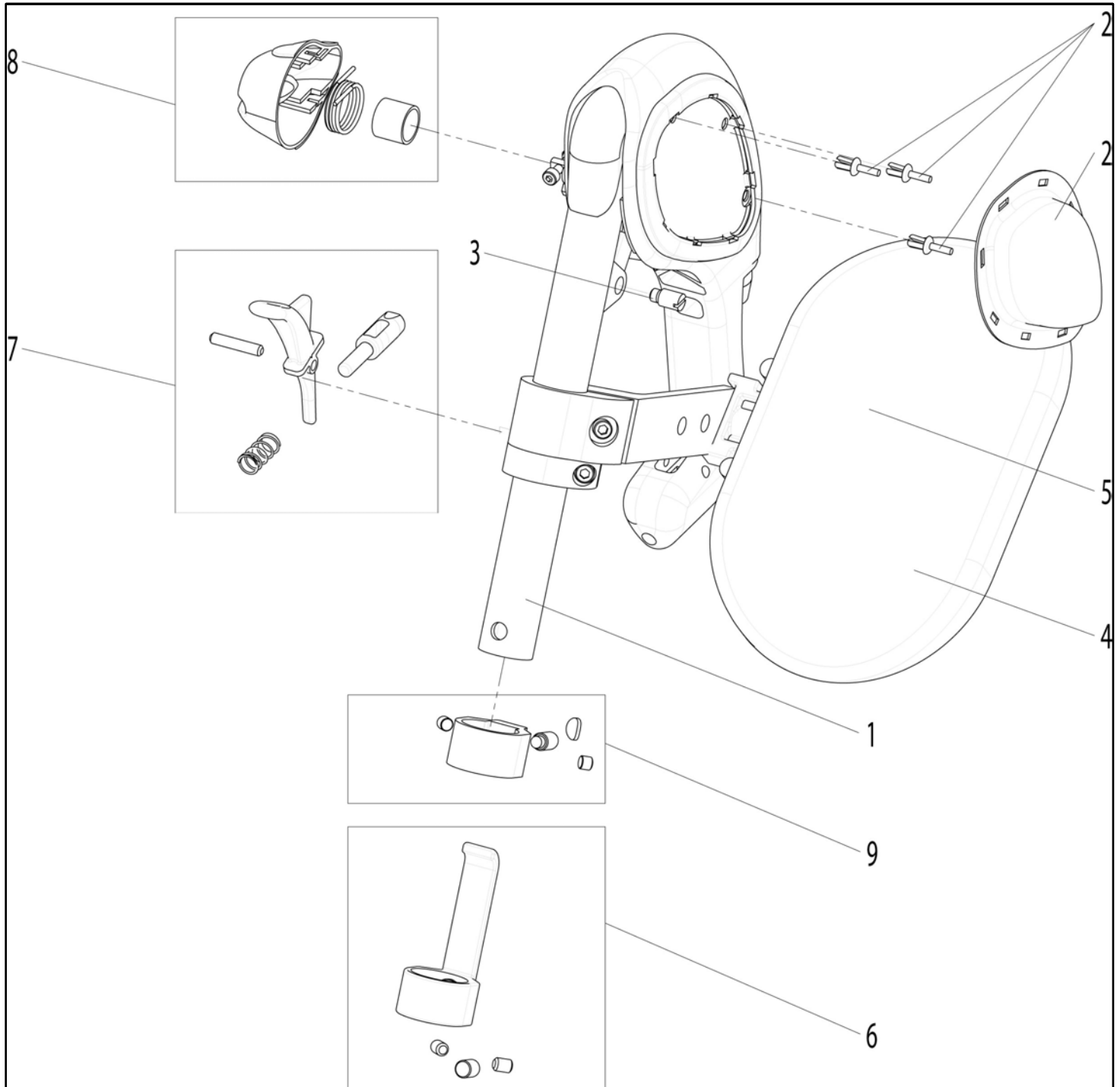
Footrest Plastic Version 70°

Pos	Item number	Description	Comment
1.1-3.4	072282-001	Hanger Plastic 110 ° cpl. LH, Brillant Lime (427)	
1.1-3.4	07202206-001	Hanger Plastic 110 ° cpl. LH, Brillant marine	
1.1-3.4	07202208-001	Hanger Plastic 110 ° cpl. LH, Brillant red(420)	
1.1-3.4	072260-001	Hanger Plastic 110 ° cpl. LH, Brillant silver (205)	
1.1-3.4	07202216-001	Hanger Plastic 110 ° cpl. LH, Capuccino (320)	
1.1-3.4	072284-001	Hanger Plastic 110 ° cpl. LH, Cyan-Metallic (317)	
1.1-3.4	072281-001	Hanger Plastic 110 ° cpl. LH, Dark Chocolate Metallic(315)	
1.1-3.4	07202218-001	Hanger Plastic 110 ° cpl. LH, FlamingoGlitter322	
1.1-3.4	07202210-001	Hanger Plastic 110 ° cpl. LH, Graphitmetallic414	
1.1-3.4	07202209-001	Hanger Plastic 110 ° cpl. LH, Silver texture(300)	
1.1-3.4	07202215-001	Hanger Plastic 110 ° cpl. LH, Sky Blue (319)	
1.1-3.4	07202217-001	Hanger Plastic 110 ° cpl. LH, Kiwi (321)	
1.1-3.4	072280-001	Hanger Plastic 110 ° cpl. LH, Mars red (318)	
1.1-3.4	072283-001	Hanger Plastic 110 ° cpl. LH, Matt-Anthracite (323)	
1.1-3.4	07202204-001	Hanger Plastic 110 ° cpl. LH, Matt lime (456)	
1.1-3.4	072262-001	Hanger Plastic 110 ° cpl. LH, Matt marine (455)	
1.1-3.4	072263-001	Hanger Plastic 110 ° cpl. LH, Matt red (451)	
1.1-3.4	07202212-001	Hanger Plastic 110 ° cpl. LH, Matt black(9005)	
1.1-3.4	07202201-001	Hanger Plastic 110 ° cpl. LH, MattSilver (450)	
1.1-3.4	07202214-001	Hanger Plastic 110 ° cpl. LH, Pink (4010)	
1.1-3.4	07202211-001	Hanger Plastic 110 ° cpl. LH, Platinmetallic 314	
1.1-3.4	07202207-001	Hanger Plastic 110 ° cpl. LH, Ruby red (3003)	
1.1-3.4	072264-001	Hanger Plastic 110 ° cpl. LH, Black (9005)	
1.1-3.4	07202213-001	Hanger Plastic 110 ° cpl. LH, Signal withe(9003)	
1.1-3.4	07202202-001	Hanger Plastic 110 ° cpl. LH, Silver (475)	
1.1-3.4	07202203-001	Hanger Plastic 110 ° cpl. LH, Sun Yellow 1018	
1.1-3.4	072261-001	Hanger Plastic 110 ° cpl. LH, Tutti Frutti Orange (2009)	
1.1-3.4	072265-001	Hanger Plastic 110 ° cpl. LH, White (9010)	
1.1-3.4	07202219-002	Hanger Plastic 110 ° cpl. RH, Azuri Blue 424	
1.1-3.4	07202205-002	Hanger Plastic 110 ° cpl. RH, blue (5005)	
1.1-3.4	072282-002	Hanger Plastic 110 ° cpl. RH, Brillant Lime (427)	
1.1-3.4	07202206-002	Hanger Plastic 110 ° cpl. RH, Brillant marine	
1.1-3.4	07202208-002	Hanger Plastic 110 ° cpl. RH, Brillant red(420)	
1.1-3.4	072260-002	Hanger Plastic 110 ° cpl. RH, Brillant silver (205)	
1.1-3.4	07202216-002	Hanger Plastic 110 ° cpl. RH, Capuccino (320)	
1.1-3.4	072284-002	Hanger Plastic 110 ° cpl. RH, Cyan-Metallic (317)	
1.1-3.4	072281-002	Hanger Plastic 110 ° cpl. RH, Dark Chocolate Metallic(315)	
1.1-3.4	07202218-002	Hanger Plastic 110 ° cpl. RH, FlamingoGlitter322	
1.1-3.4	07202210-002	Hanger Plastic 110 ° cpl. RH, Graphitmetallic414	

Pos	Item number	Description	Comment
1.1-3.4	07202209-002	Hanger Plastic 110 ° cpl. RH, Silver texture(300)	
1.1-3.4	07202215-002	Hanger Plastic 110 ° cpl. RH, Sky Blue (319)	
1.1-3.4	07202217-002	Hanger Plastic 110 ° cpl. RH, Kiwi (321)	
1.1-3.4	072280-002	Hanger Plastic 110 ° cpl. RH, Mars red (318)	
1.1-3.4	072283-002	Hanger Plastic 110 ° cpl. RH, Matt-Anthracite (323)	
1.1-3.4	07202204-002	Hanger Plastic 110 ° cpl. RH, Matt lime (456)	
1.1-34.	072262-002	Hanger Plastic 110 ° cpl. RH, Matt marine (455)	
1.1-3.4	072263-002	Hanger Plastic 110 ° cpl. RH, Matt red (451)	
1.1-3.4	07202212-002	Hanger Plastic 110 ° cpl. RH, Matt black(9005)	
1.1-3.4	07202201-002	Hanger Plastic 110 ° cpl. RH, MattSilver (450)	
1.1-3.4	07202214-002	Hanger Plastic 110 ° cpl. RH, Pink (4010)	
1.1-3.4	07202211-002	Hanger Plastic 110 ° cpl. RH, Platinmetallic 314	
1.1-3.4	07202207-002	Hanger Plastic 110 ° cpl. RH, Ruby red (3003)	
1.1-3.4	072264-002	Hanger Plastic 110 ° cpl. RH, Black (9005)	
1.1-3.4	07202213-002	Hanger Plastic 110 ° cpl. RH, Signal withe(9003)	
1.1-3.4	07202202-002	Hanger Plastic 110 ° cpl. RH, Silver (475)	
1.1-3.4	07202203-002	Hanger Plastic 110 ° cpl. RH, Sun Yellow 1018	
1.1-3.4	072261-002	Hanger Plastic 110 ° cpl. RH, Tutti Frutti Orange (2009)	
1.1-3.4	072265-002	Hanger Plastic 110 ° cpl. RH, White (9010)	
1.1-3.4	07202221-002	Hanger Plastic 110 ° cpl. RH, Brilliantpurple (423)	
1.1-3.4	07202220-002	Hanger Plastic 110 ° cpl. RH, Mattpurple (454)	
1.1-3.4	07202221-001	Hanger Plastic 110 ° cpl. LH, Brilliantpurple (423)	
1.1-3.4	07202220-001	Hanger Plastic 110 ° cpl. LH, Mattpurple (454)	
4.4	000105005-ET	Headless screw M8x10, DIN913	10 pcs/pack

Elevating legrest (ELR) Lower Leg Length 30-34 cm

Elevating legrest (ELR) Lower Leg Length 30-34 cm

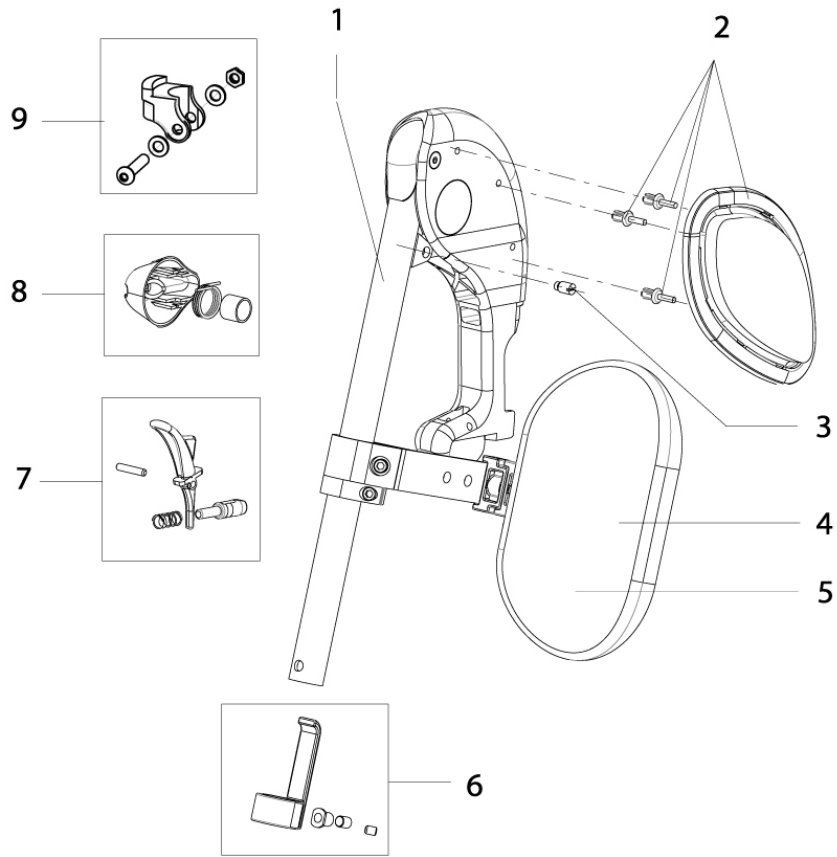


Pos	Item number	Description	Comment
1-8	82005040-001	Elevating legrest (w/o footboard)	left
1-8	82005040-002	Elevating legrest (w/o footboard)	right
1-8	82005040-000	Elevating legrest (w/o footboard)	pair
2	064766-000-ET	Knee pad	pair
3	064855-ET	Headless screw	10 pcs./pack
4-5	064924	Calf pad with cover	

Elevating legrest (ELR) Lower Leg Length 30-34 cm

Pos	Item number	Description	Comment
5	064927	Calf pad cover	
6	069942	Clamp used with footrest (incl. mounting accessories)	pair
7	069940	Release lever cpl.	
8	069941	Release mechanism	
1-7,9	84605001-000	Elevating legrest (w/o footboard)	left
1-7,9	84605001-001	Elevating legrest (w/o footboard)	right
1-7,9	84605001-002	Elevating legrest (w/o footboard)	pair

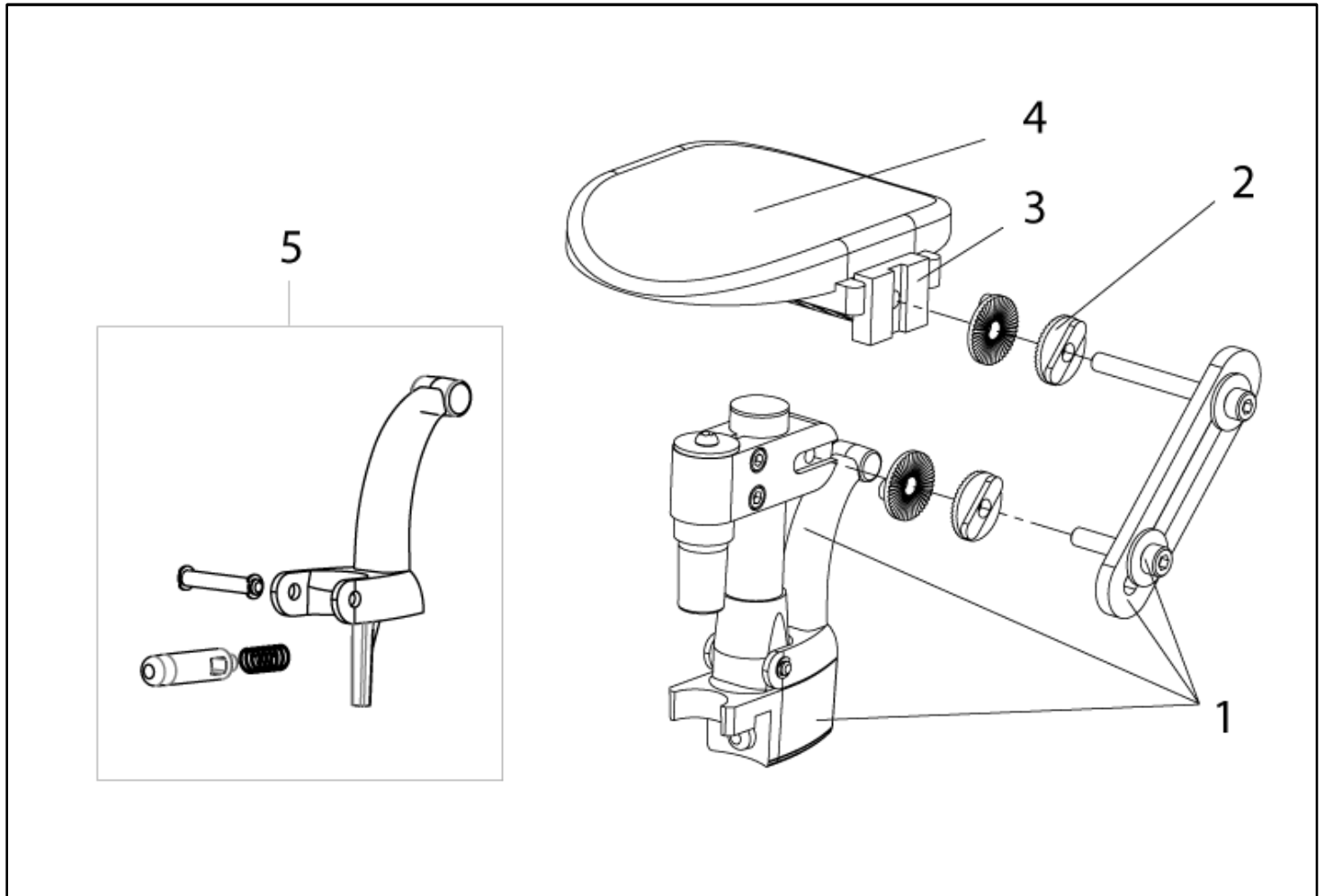
Elevating Leg Rest (ELR) > Lower Leg Length 34 cm



Pos	Item number	Description	Comment
-	072230	ELR-Footrest (w/o footplate)	Pair
-	072231	ELR-Footrest (w/o footplate)	LH, note: due to a production change one must order for wheelchairs manufactured prior 2012-03-20 a pair of ELR
1 - 9	072232	ELR-Footrest (w/o footplate)	RH, note: due to a production change one must order for wheelchairs manufactured prior 2012-03-20 a pair of ELR

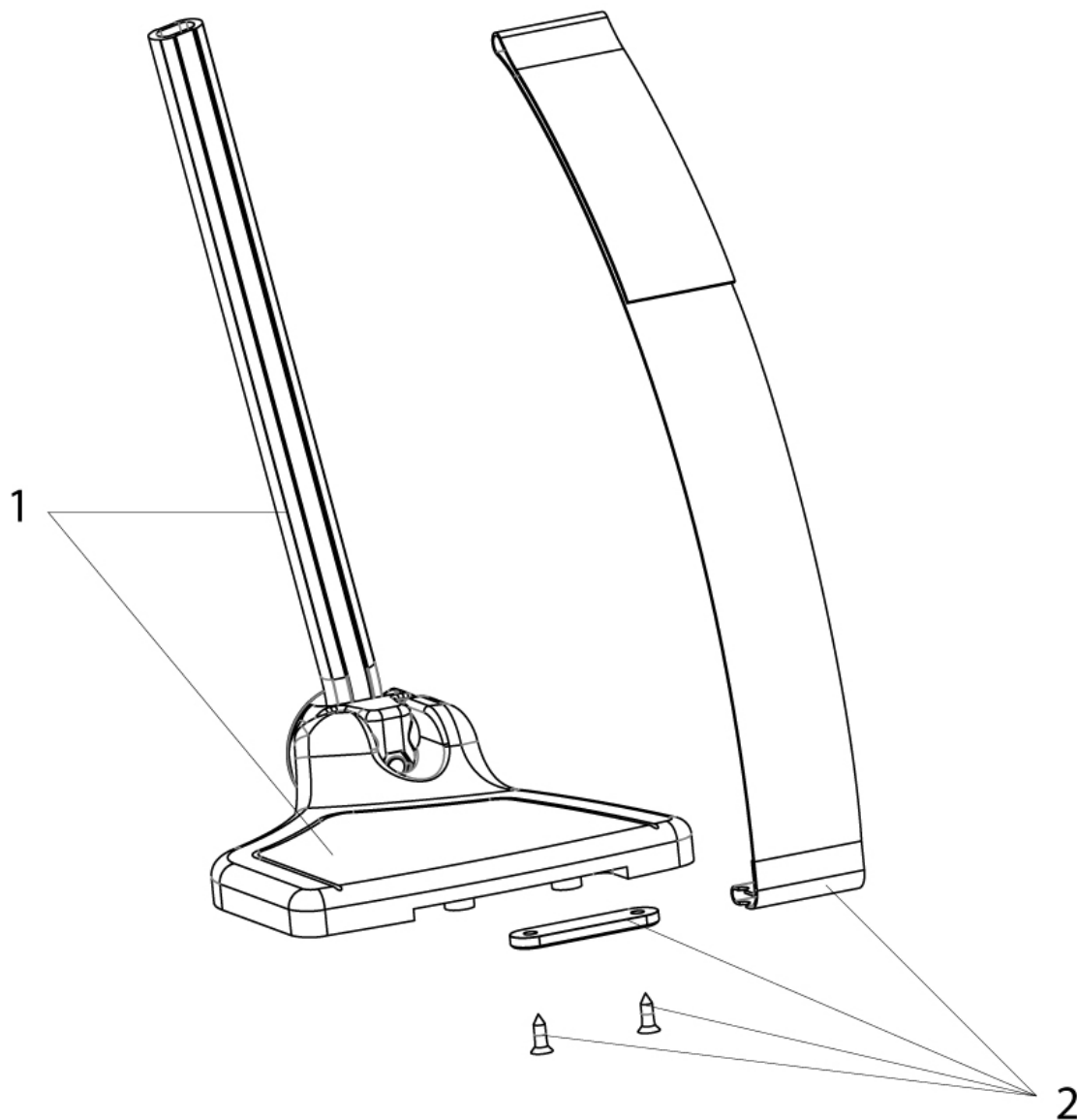
Pos	Item number	Description	Comment
2	064766-000-ET	Knee pad	Pair
3	064855-ET	Headless screw	10 pcs./pack
4 - 5	064924	Calf pad with cover	
4	064927	Calf pad cover	
6	069942	Clamp used with footrest (incl. mounting accessories)	Pair
7	069940	Release lever cpl.	
8	069941	Release mechanism	
9	072126	Mounting accessories used with ELR	LH/RH useable

Stump Pad



Pos	Item number	Description	Comment
-	064280-000	Stump pad cpl.	Pair
-	064280-002	Stump pad cpl.	LH
1 - 4	064280-001	Stump pad cpl.	RH
2	064905	Detent washer set	20 pcs./pack
3 - 4	064924	Calf pad with cover	
4	064927	Calf pad cover	
5	064999-ET	Release lever cpl.	10 pcs./pack

Plastic Footplate

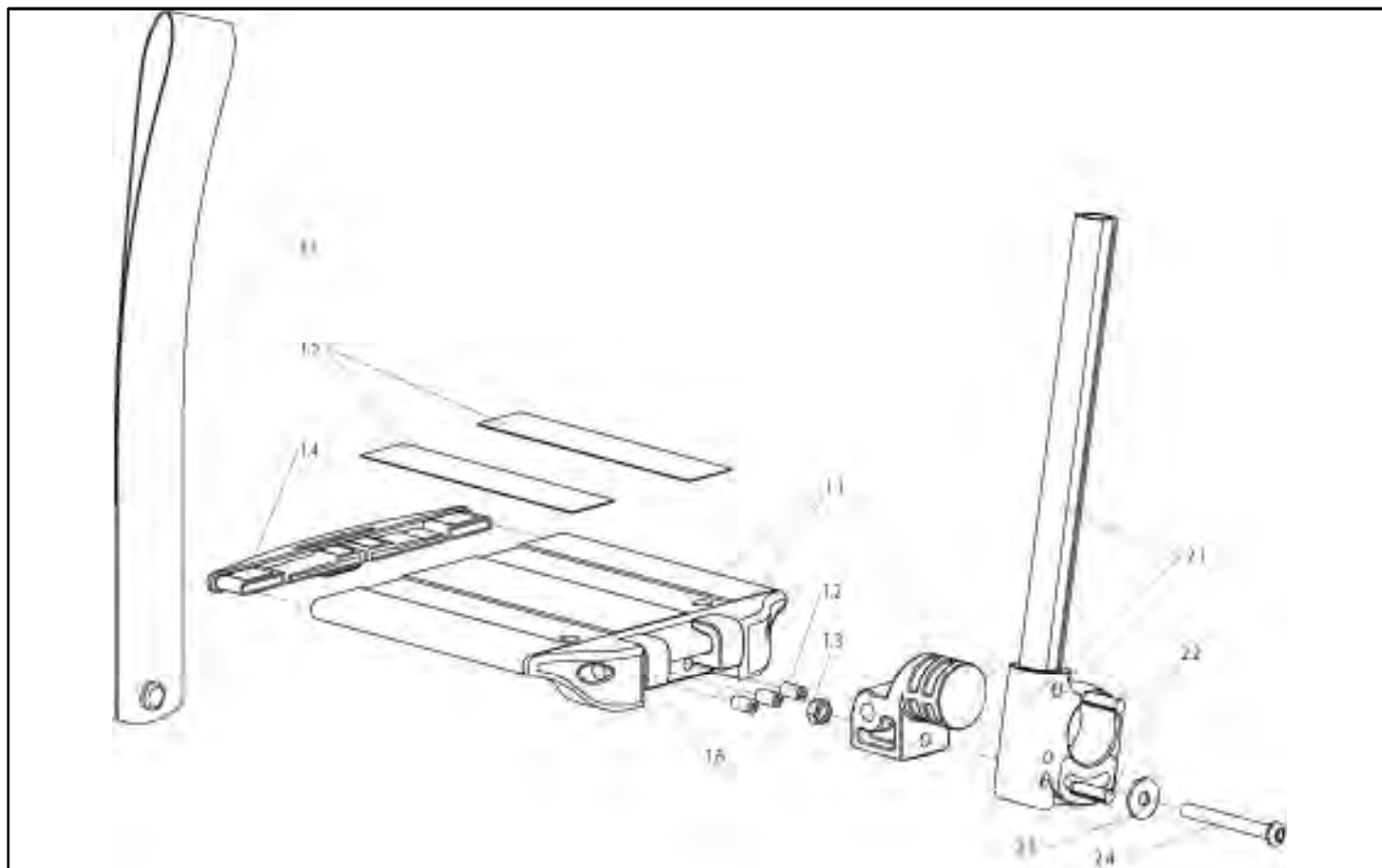


Pos	Item number	Description	Comment
-	064871-101	Plastic footplate 157 mm (with heel band & extention tube - SW 38 - 40.5 cm)	Pair
-	064871-011	Plastic footplate 157 mm (with heel band & extention tube - SW 38 - 40.5 cm)	LH
1 - 2	064871-021	Plastic footplate 157 mm (with heel band & extention tube - SW 38 - 40.5 cm)	RH
-	064871-102	Plastic footplate 182 mm (with heel band & extention tube - SW 43 - 45.5 cm)	Pair

Plastic Footplate

Pos	Item number	Description	Comment
-	064871-012	Plastic footplate 182 mm (with heel band & extention tube - SW 43 - 45.5 cm)	LH
1 - 2	064200-122	Plastic footplate 182 mm (with heel band & extention tube - SW 43 - 45.5 cm)	RH
-	064871-103	Plastic footplate 207 mm (with heel band & extention tube - SW 48 - 60 cm)	Pair
-	064871-013	Plastic footplate 207 mm (with heel band & extention tube - SW 48 - 60 cm)	LH
1 - 2	064871-023	Plastic footplate 207 mm (with heel band & extention tube - SW 48 - 60 cm)	RH
2	064914	Heel loop cpl.	

Divided footplate, angle and depth adj., aluminium

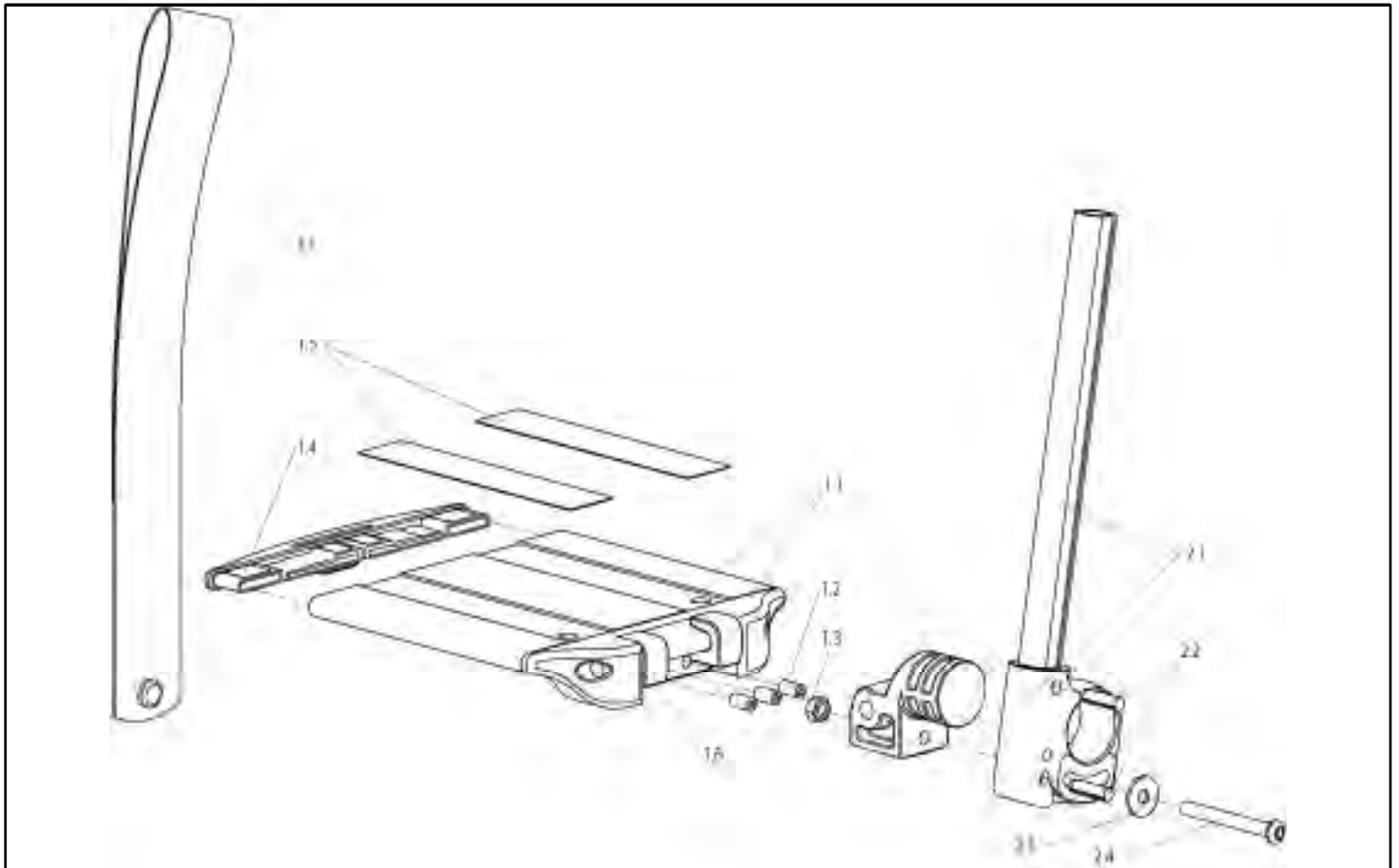


Pos	Item number	Description	Comment
1.1-3.1	762920110	Divided footrest with metal footplate and calf strap, complete, angle-adjustable	Pair
1.1-3.1	762820110	Divided footrest with metal footplate and calf strap, complete, angle-adjustable	RH
1.1-3.1	762720110	Divided footrest with metal footplate and calf strap, complete, angle-adjustable	LH
1.1-1.5	760824150	Divided Footboard without tube	
1.2	000105003-ET	Stud bolt M 6 x 12 DIN 916	Pack of 12
1.3	000128007-ET	Hex nut M 6 DIN 985	Pack of 25
1.4	054212	Tube Cap	
1.5	000821167	Slip resistant coating (only available by the meter. Please indicate quantity)	per meter
1.6	760824032-ET	Clamp for footboard adjustment	Pack of 12
2.1-2.4	054200-312	Footrest tube with receiver cpl.	can be used right & left
2.2	000154012-ET	Pin 6 x 22 DIN 1473	Pack of 10
2.3	000130121-ET	Washer A 6,4 DIN 7349	Pack of 25
2.4	000102314.01-ET	Oval-head screw M 6 x 55 with Torx drive	Pack of 25

Divided footplate, angle and depth adj., aluminium

Pos	Item number	Description	Comment
3.1	760824031	Calf strap	can be used right & left

Divided Footrest, metal

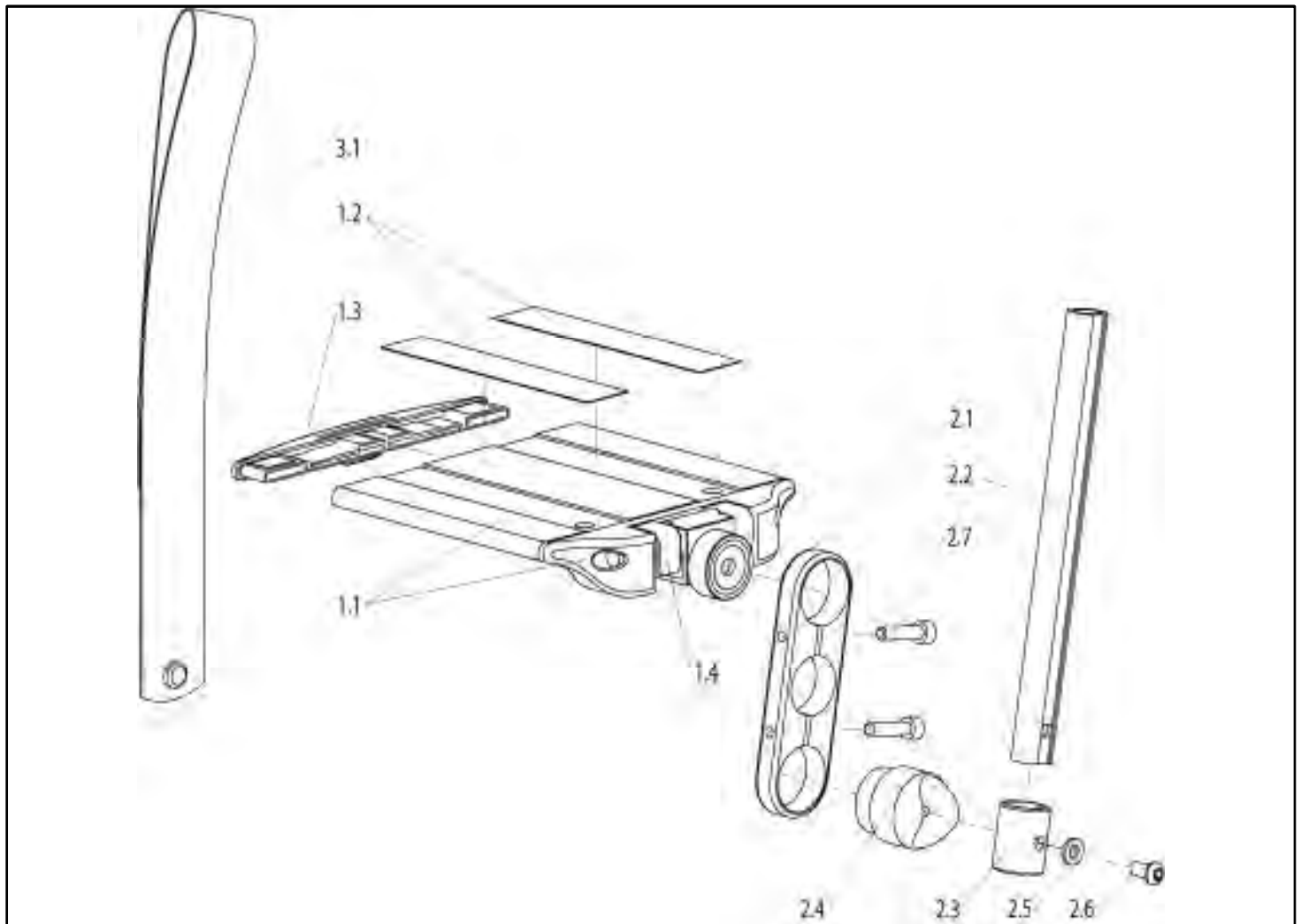


Pos	Item number	Description	Comment
1.1-3.1	762920110	Divided footrest with metal footplate and calf strap, complete, angle-adjustable	Pair
1.1-3.1	762820110	Divided footrest with metal footplate and calf strap, complete, angle-adjustable	RH
1.1-3.1	762720110	Divided footrest with metal footplate and calf strap, complete, angle-adjustable	LH
1.1-1.5	760824150	Divided Footboard without tube	
1.2	000105003-ET	Stud bolt M 6 x 12 DIN 916	Pack of 12
1.3	000128007-ET	Hex nut M 6 DIN 985	Pack of 25
1.4	054212	Tube Cap	
1.5	000821167	Slip resistant coating (only available by the meter. Please indicate quantity)	per meter
1.6	760824032-ET	Clamp for footboard adjustment	Pack of 12
2.1-2.4	054200-312	Footrest tube with receiver cpl.	can be used right & left
2.2	000154012-ET	Pin 6 x 22 DIN 1473	Pack of 10
2.3	000130121-ET	Washer A 6,4 DIN 7349	Pack of 25
2.4	000102314.01-ET	Oval-head screw M 6 x 55 with Torx drive	Pack of 25

Divided Footrest, metal

Pos	Item number	Description	Comment
3.1	760824031	Calf strap	can be used right & left

Divided footboard, metal, for short LLL

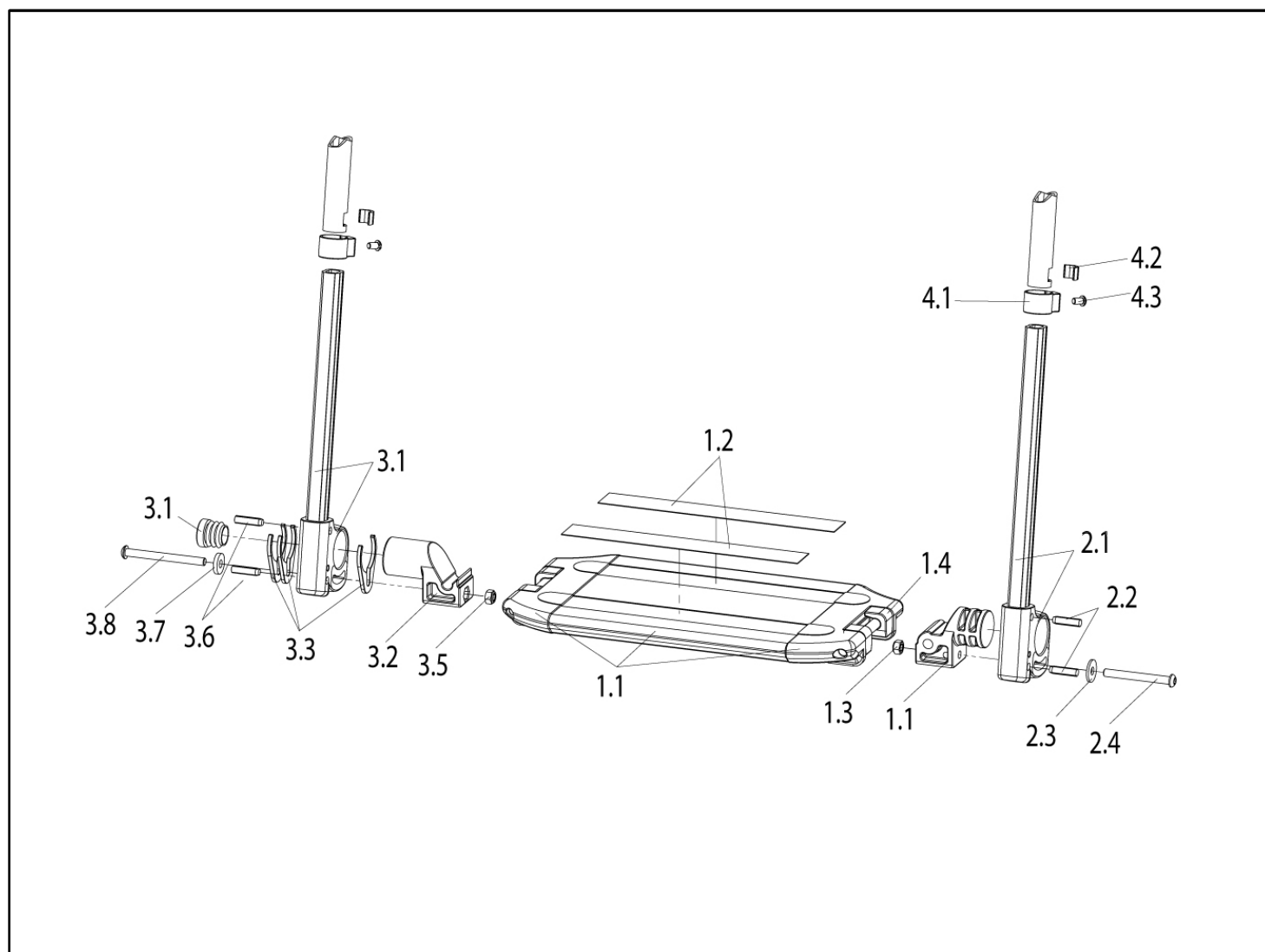


Pos	Item number	Description	Comment
1.1-3.1	762920210	Divided footboards for short LLL cpl.	Pair
1.1, 3.1	762820210	Divided footboard for short LLL cpl.	RH
1.1, 3.1	762720210	Divided footboard for short LLL cpl.	LH
1.2	000821167	Slip resistant coating (Only available by the metre. Please indicate quantity)	
1.3	054212	End plug	
1.4	760824032-ET	Clamp for footrest adjustment	Pack of 12
2.1-2.7	054200-313	Footrest bracket for short LLL	LH & RH suitable
2.5	000130107-ET	Washer A 6.4 DIN 125	Pack of 25
2.6	000102317.01-ET	Button head cap screw M 6 x 37 Torx drive	Pack of 25
2.7	000102006-ET	Cyl head screw M 6 x 25 DIN 912	Pack of 25
3.1	760824031	Heelloop for divided footplate	
1.1-1.3	762820209-005	Divided footplate for short LLL SW: 36	LH & RH suitable

Divided footboard, metal, for short LLL

Pos	Item number	Description	Comment
1.1-1.3	762820209-001	Divided footplate for short LLL SW: 38-40	LH & RH suitable
1.1-1.3	762820209-002	Divided footplate for short LLL SW: 42-44	LH & RH suitable
1.1-1.3	762820209-003	Divided footplate for short LLL SW: 46	LH & RH suitable
1.1-1.3	762820209-004	Divided footplate for short LLL SW: 54	LH & RH suitable

Continous Footboard metal

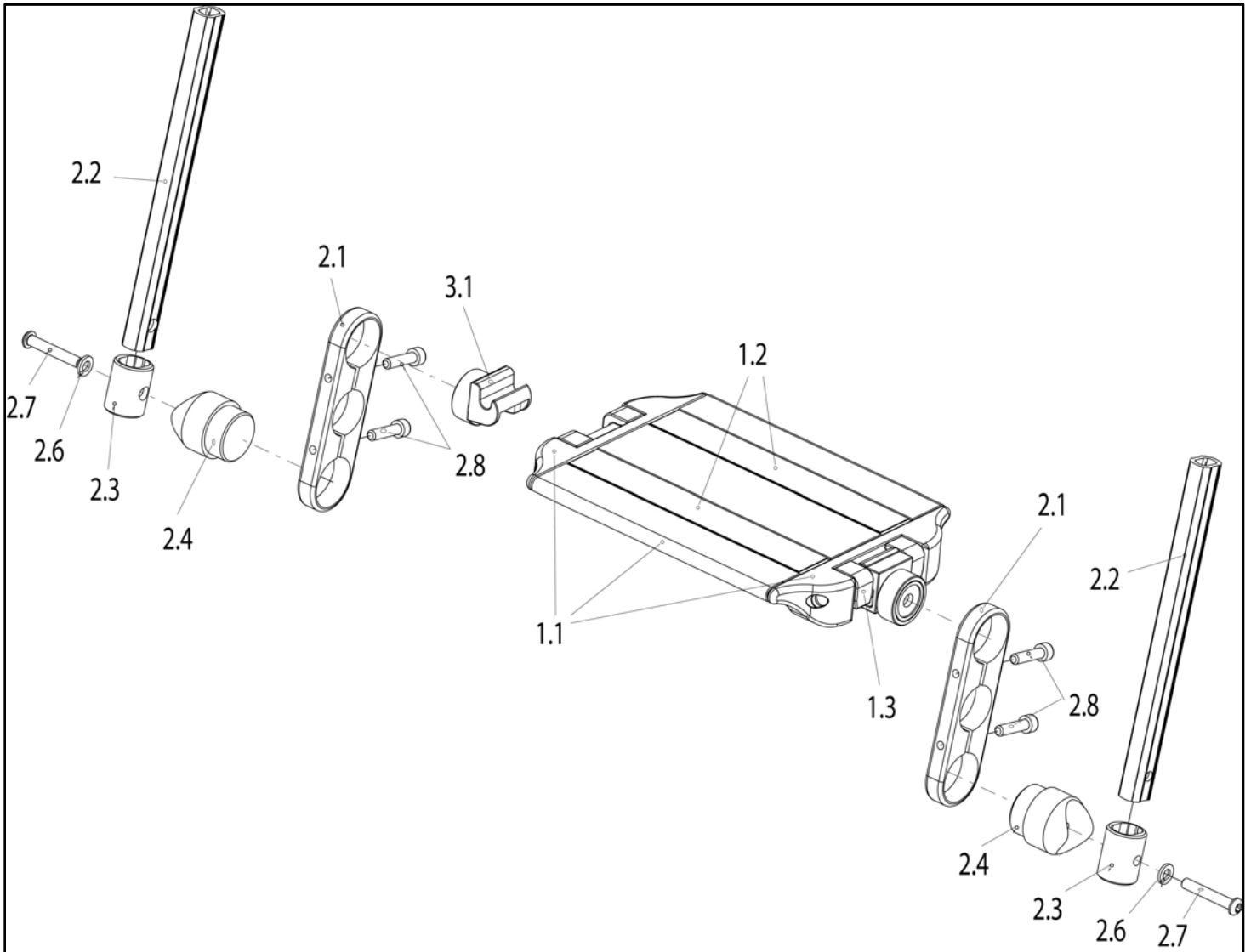


Pos	Item number	Description	Comment
-	054200-006	Calf strap SW: 38 - 50	
1.1-1.4	84605002-100	Footplate continous,angle adjustable, Metal	
1.1-3.8	84605003-100	Footplate continous,angle adjustable, Metal, cpl.	
1.2	000821167	Slip resistant coating (Only available by the metre. Please indicate quantity)	
1.4	760824032-ET	Clamp for footrest adjustment	
2.1-2.4	054200-312	Footrest tube with receiver cpl.	
2.2	000154012-ET	Pin 6 x 22 DIN 1473	
2.3	000130121-ET	Washer A 6,4 DIN 7349	
2.4	000102314.01-ET	Button head cap screw M 6 x 55 Torx drive	
3.2	000128007-ET	Hex nut M 6 DIN 985	
3.2	760824024	Saddle for footplate	
4.1-4.3	750826006	Fitting accessoires for footplate	

Continous Footboard metal

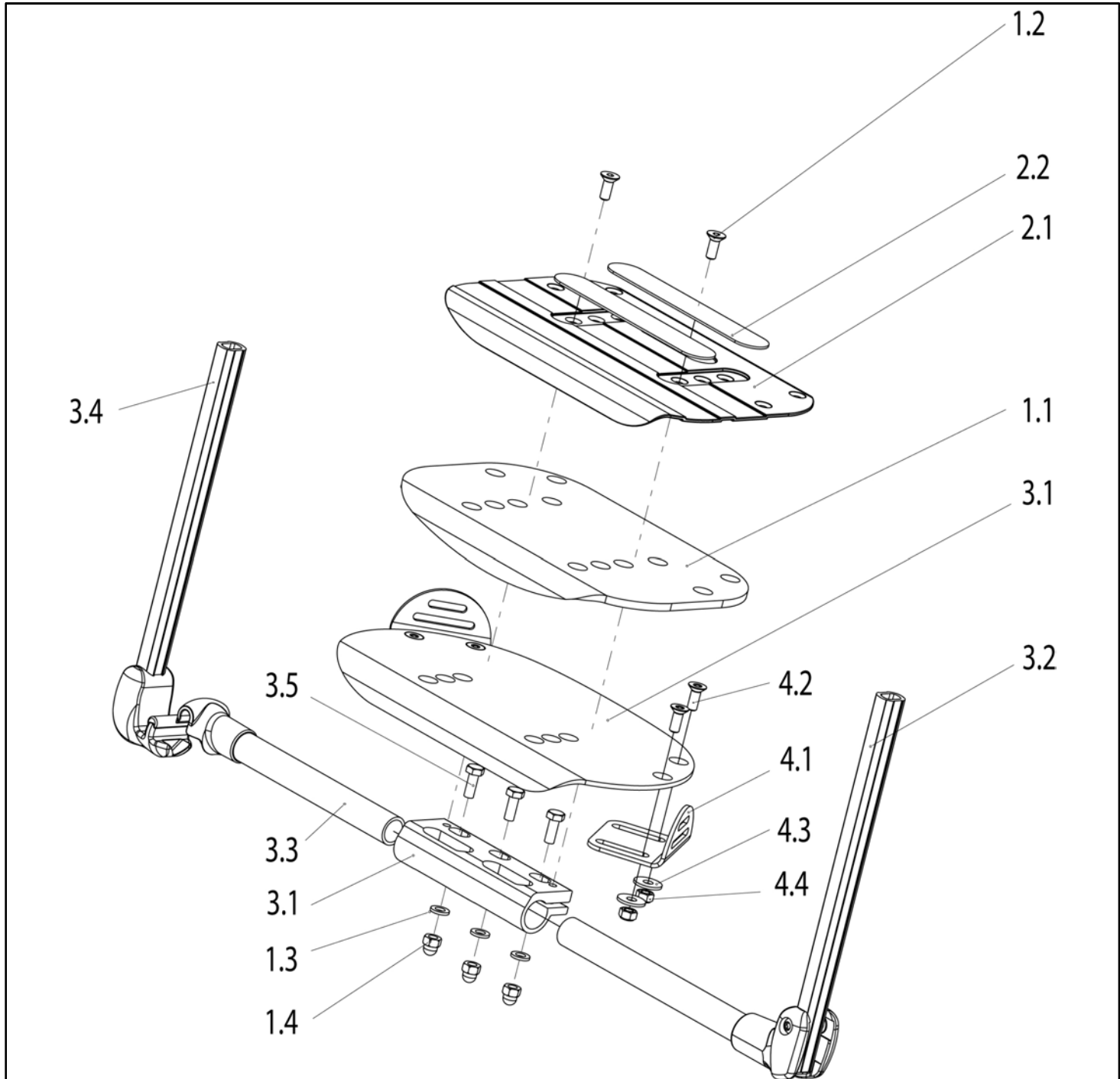
Pos	Item number	Description	Comment
4.2	760827002-ET	Pressure piece	
4.3	000102308.01-ET	Button head cap screw M 6 x 12 Torx drive	
5.1-5.2	054234-500	Footrest extension tube with swing-away mechanism cpl.	
5.2	000282097-ET	Cap PVC	

Continuous footboard, metal, for short LLL



Pos	Item number	Description	Comment
1.1-3.1	84605005-100	Single footplate complete short LLL cpl.	
1.1-1.3	84605004-100	Single footplate complete short LLL	
1.2	000821167	Slip resistant coating	per meter
1.3	760824032-ET	Clamp for footboard adjustment	Pack of 12
2.1-2.8	054200-313	Continuous footboard bracket for short LLL	
2.6	000130107-ET	Washer A 6.4, DIN 125	
2.7	000102317.01-ET	Lens head screw M6 x 37, Trx	
2.8	000102006-ET	Cylindrical head socket screw M 6 x 25, DIN 912	
3.1	840824006-ET	Support for footboard	

Footrest, continuous, angle and depth adjustable, folding upwards, plastic /carbon/ aluminium

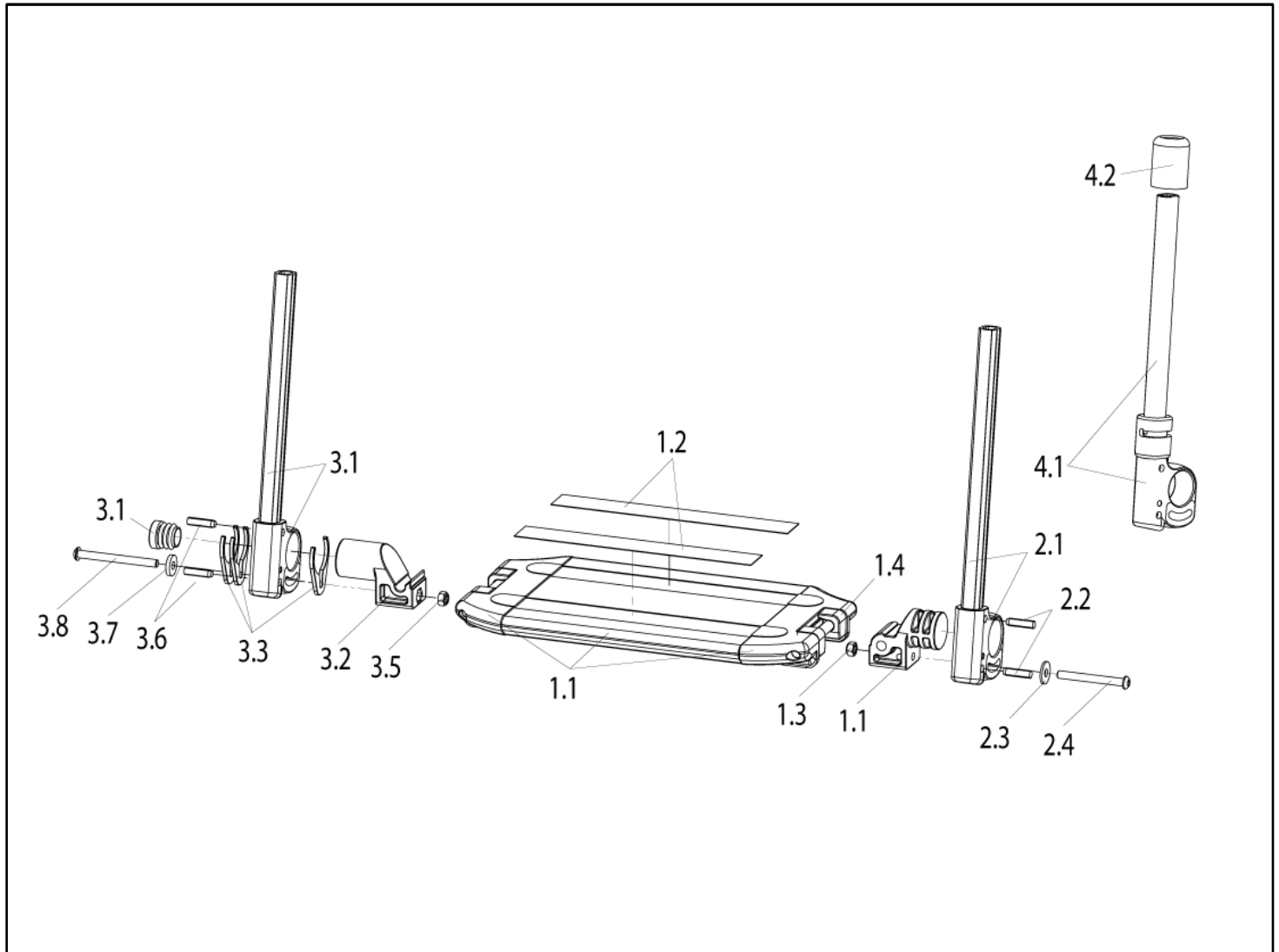


Pos	Item number	Description	Comment
2.2	000821167	Slip resistant coating - Please indicate quantity -	per meter
1.1-1.4, 3.1-3.4	068200-040	Platform footrest depth adj. footplate, composite plate	
1.3-1.4 2.1-3.4	068200-020	Platform footrest depth adj. footplate, carbon plate	
1.1-1.4	068813-000	Composite plate with mounting parts and anti slip sticker	

Footrest, continuous, angle and depth adjustable, folding upwards, plastic /carbon/ aluminium

Pos	Item number	Description	Comment
2.1-2.2, 1.2-1.4	068814-000	Carbon plate with mounting parts and anti slip sticker	
2.2	068226-030	Anti slip sticker carbon foot plate cpl., large: SW40 - 46 with 0 inset, SW44 - 46 with 1 inset	1 kit
2.2	068226-010	Antislipsticker Carbonfootplate cpl. small: SW32 + 40 with 0 inset, SW32 - 38 with 1 inset	1 kit
2.2	068226-020	Antislipsticker Carbonfootplate cpl. medium: SW36 + 38 with 0 inset, SW40 + 42 with 1 inset	1 kit
3.1-3.4	068817-000	Footrest angle adj., without footplate	
1.2 - 1.4, 3.1	06802227	Clamp for footplate, cpl.	
3.2	068207-000	Footrest pivot, left side	
3.3 - 3.4	068205-100	Fork and receiver for cross tube, right side	
4.1-4.4	068890	Footrest Positioning Plate	2 pcs./pack
4.2	066902-001-ET	Counter sunk screw M 6 x 16 - DIN 7991	25 pcs./pack
4.3	058904-ET	Washer A 6.4 - DIN 9021	25 pcs./pack

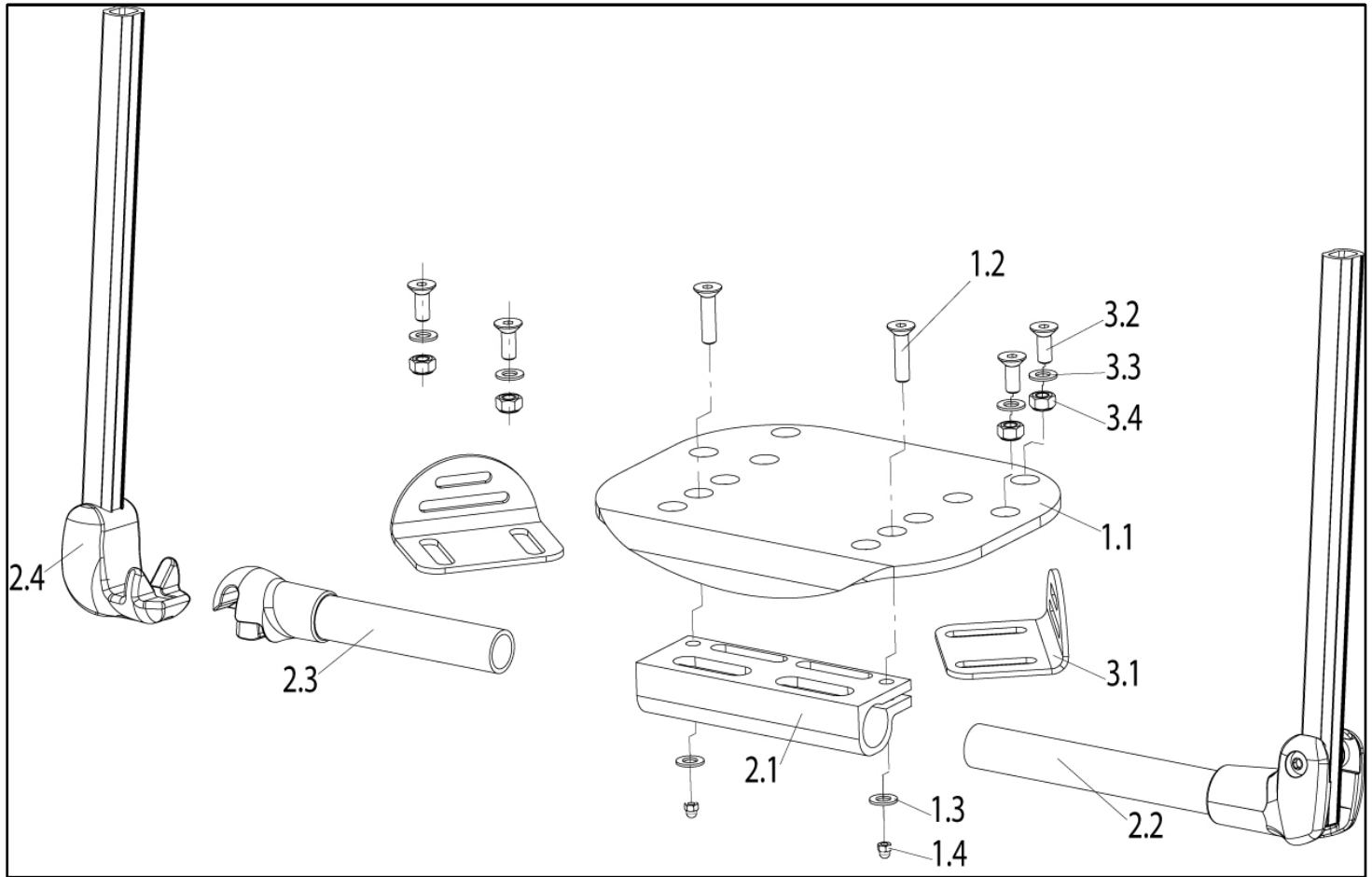
Platform footplate, angle and depth adj., aluminium



Pos	Item number	Description	Comment
1.1-3.8	84405110-000	Continuous Footboard, angle adjustable, aluminium cpl.	
1.1-1.4	762824147	Continuous Footboard, angle adjustable , metal	
1.2	000821167	Slip resistant coating (Only available by the metre. Please indicate quantity)	by meter
1.3	000128007-ET	Hex nut M 6 DIN 985	Pack of 25
1.4	760824032-ET	Clamp for footboard adjustment	Pack of 12
2.1-2.4	054200-312	Footrest tube with receiver cpl.	can be used right & left
2.2	000154012-ET	Pin 6 x 22 DIN 1473	Pack of 10
2.3	000130121-ET	Washer A 6,4 DIN 7349	Pack of 25
2.4	000104019-ET	Lens head screw M6 x 55, ISO 7380	25 pieces/pack
3.1-3.8	068200-110	Tube with adapter cpl.	
3.2-3.8	068833	Adapter kpl.	

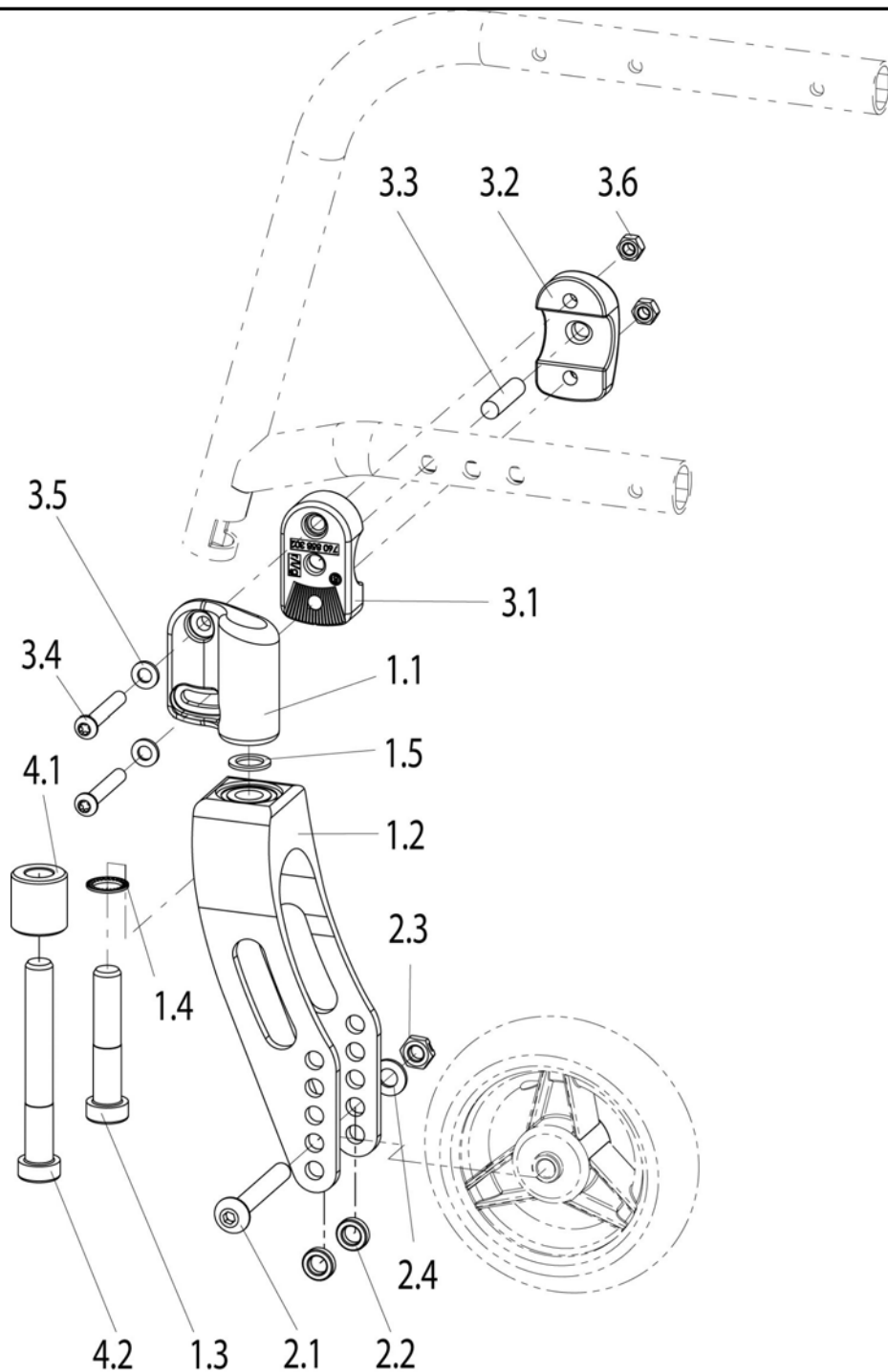
Pos	Item number	Description	Comment
3.3	068233-ET	Distance for length adjustment	6 pcs/pack
3.5	000128007-ET	Nut M6 DIN 985	
3.6	000154012-ET	Pin 6 x 22 DIN 1473	Pack of 6
3.7	000130121-ET	Washer A6,4 DIN 7349	Pack of 25
3.8	066900-011	Screw M6x65 - ISO7380	Pack of 25
4.1-4.2	054234-500	Footrest extension tube with swing-away mechanism cpl.	Paq. de 6
4.2	000282097-ET	PVC cover cap	6 pcs./pack

Platform footplate lightweight, composite, flip-up



Pos	Item number	Description	Comment
1.1-2.4	068200-040	Platform footrest depth adj. footplate, composite plate	
1.1-1.5	068813-000	Composite plate with mounting parts and anti slip sticker	
1.2 - 1.5, 2.1	06802227	Clamp for footplate	
2.1 - 2.4	068817-000	Platform footrest depth adj., without footplate	
2.2	068207-000	Footrest pivot, left side	
2.3 - 2.4	068205-100	Fork and receiver for cross tube, right side	
3.1 - 3.4	068890	Footrest Positioning Plate	2 pcs./pack
3.2	066902-001-ET	Counter sunk screw M 6 x 16 - DIN 7991	25 pcs./pack
3.3	058904-ET	Washer A 6,4 DIN 125	25 pcs./pack
3.4	058903-ET	Hex nut M 6 DIN 985	25 pcs./pack
	000821167	Slip resistant coating (only available by the metre. Please indicate quantity)	(per metres)

Fork for fixed frame , Aluminium



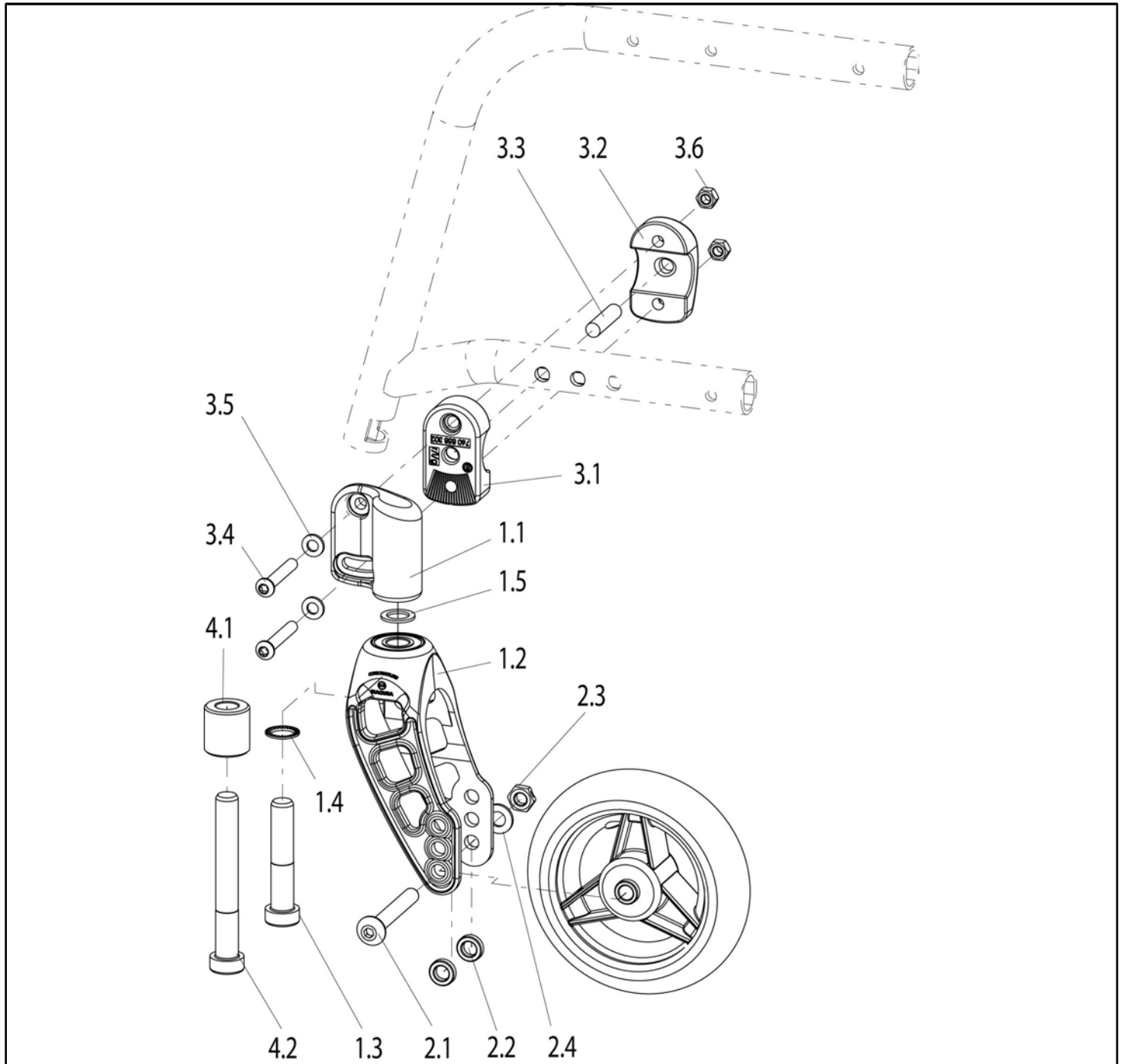
Pos	Item number	Description	Comment
1.1	760858304	Castor adapter, black coated	RH
1.1	760758304	Castor adapter, black coated	LH
1.1- 1.5,4.1- 4.2	760858330	Castor, round fork, black 168 x 39 with castor adapter, complete	RH

Fork for fixed frame , Aluminium

Pos	Item number	Description	Comment
1.1- 1.5,4.1- 4.2	760758330	Castor, round fork, black 168 x 39 with castor adapter, complete	LH
1.1- 1.5,4.1- 4.2	072506-001	Castor, round fork, silver 168 x 39 with castor adapter, complete	RH
1.1- 1.5,4.1- 4.2	072506-002	Castor, round fork, silver 168 x 39 with castor adapter, complete	LH
1.1- 1.5,4.1- 4.2	072507-001	Castor, round fork, gold orange 168 x 39 with castor adapter, complete	RH
1.1- 1.5,4.1- 4.2	072507-002	Castor, round fork, gold orange 168 x 39 with castor adapter, complete	LH
1.1- 1.5,4.1- 4.2	760858331	Castor, round fork, black 168 x 45 with castor adapter, complete	RH
1.1- 1.5,4.1- 4.2	760758331	Castor, round fork, black 168 x 45 with castor adapter, complete	LH
1.1- 1.5,4.1- 4.2	072508-001	Castor, round fork, silver 168 x 45 with castor adapter, complete	RH
1.1- 1.5,4.1- 4.2	072508-002	Castor, round fork, silver 168 x 45 with castor adapter, complete	LH
1.1- 1.5,4.1- 4.2	072509-001	Castor, round fork, gold orange 168 x 45 with castor adapter, complete	RH
1.1- 1.5,4.1- 4.2	072509-002	Castor, round fork, gold orange 168 x 45 with castor adapter, complete	LH
1.1- 1.5,4.1- 4.2	760858332	Castor, round fork, black 143 x 39 with castor adapter, complete	RH
1.1- 1.5,4.1- 4.2	760758332	Castor, round fork, black 143 x 39 with castor adapter, complete	LH
1.1- 1.5,4.1- 4.2	072510-001	Castor, round fork, silver 143 x 39 with castor adapter, complete	RH
1.1- 1.5,4.1- 4.2	072510-002	Castor, round fork, silver 143 x 39 with castor adapter, complete	LH
1.1- 1.5,4.1- 4.2	072511-001	Castor, round fork, gold orange 143 x 39 with castor adapter, complete	RH
1.1- 1.5,4.1- 4.2	072511-002	Castor, round fork, gold orange 143 x 39 with castor adapter, complete	LH
1.1- 1.5,4.1- 4.2	760758335.01	Castor, round fork, coloured with castor adapter, complete	LH

Pos	Item number	Description	Comment
1.1- 1.5,4.1- 4.2	760858335.01	Castor, round fork, coloured with castor adapter, complete	RH
1.3	000102151-ET	Screw M 12 x 60 mm DIN 6912	
1.4	000138010-ET	Lock Washer 13	Pack of 10
1.5	000131087-ET	Locating disc 12 x 18 x 1.5 DIN 988	Pack of 25
2.1	000104112-ET	Oval-head screw M 8 x 55 ISO 7380 for round fork 143 x 39 and 168 x 39	Pack of 10
2.1	000104113-ET	Oval head screw M8 x 60 ISO 7380	Pack of 10
2.3	000128020-ET	Hex nut M8 Trelock, half height	Pack of 25
2.4	000130108-ET	A 8.4 washer DIN 125	Pack of 25
3.1-3.6	760858350	Fitting accessories for castor fitting, complete. (Frame mount)	-
3.3	000154205-ET	Cylindrical pin 8 x 32 DIN 7	Pack of 25
3.4	000102305.01-ET	Lens head screw M 6 x 40, 8.8 , Tufloc, Trx	Pack of 10
3.5	000130107-ET	Washer A6.4 DIN 125	Pack of 25
3.6	000128007-ET	Hex nut M 6 DIN 985	Pack of 25
1.3-1.5 + 5.1- 5.2	84407103	Castor fixation kit	
-	000101066	Mounting accessories for 6 Inch Castor Soft and 7 Inch Solid and Pneumatic	
-	000101067	Mounting accessories for 3,4,5, 6 Inch Castor Solid and Pneumatic	
2.2	066556-ET	Washer for Castor 2mm	
2.2	71105005-001-ET	Distance for Castoraxle 4mm, Alu	
2.2	71105005-005-ET	Distance for Castoraxle 10mm, Alu	
2.2	058512-ET	Washer for Castor 3,5mm	
-	066522-001	Castor fork, aluminium, 123 x 45 mm, with bearing, black	
-	066522-002	Castor fork, aluminium, 123 x 45 mm, with bearing, silver	
-	066522-003	Castor fork, aluminium, 123 x 45 mm, with bearing, orange	

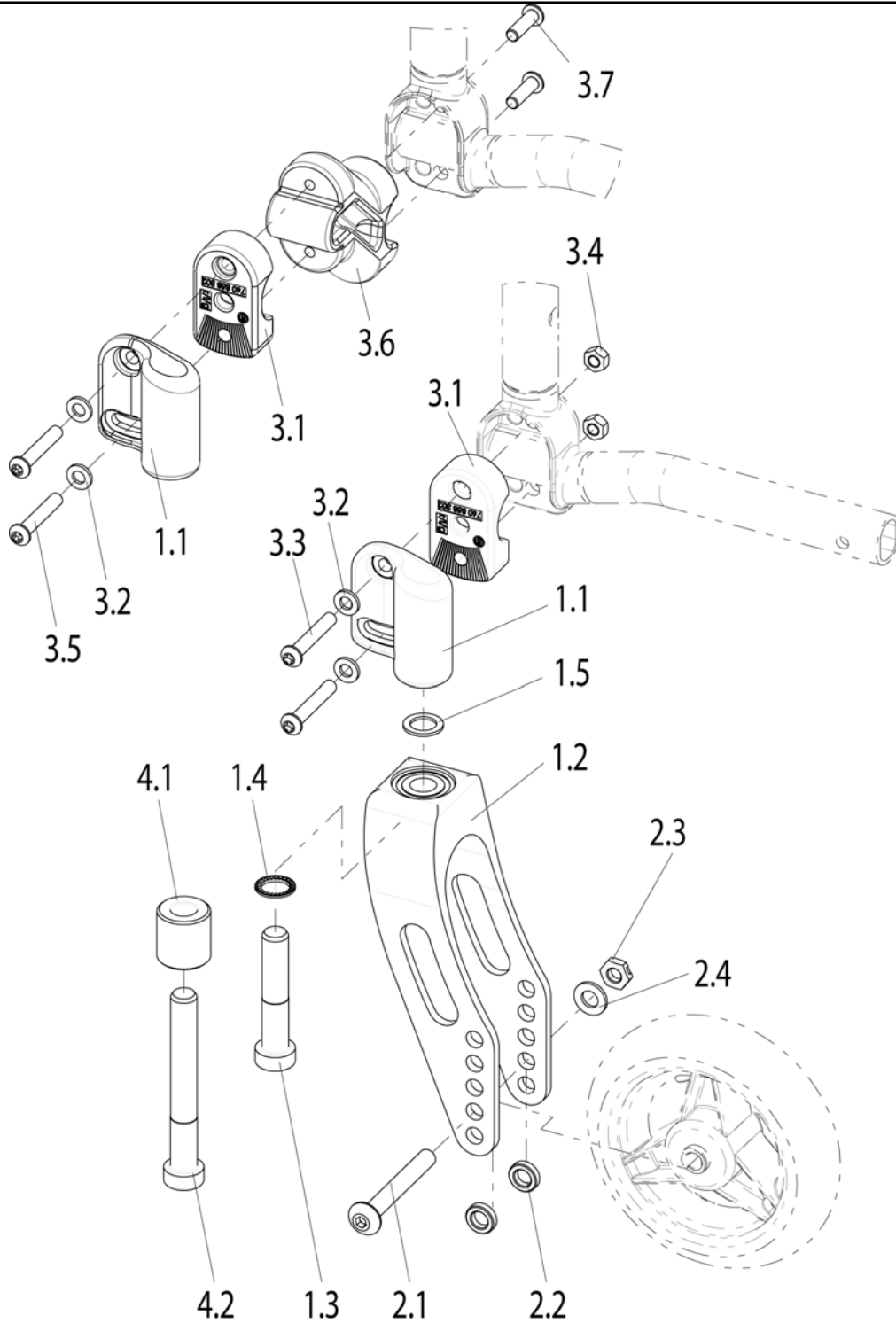
Fork for fixed frame, Carbotecture



Pos	Item number	Description	Comment
1.1	760858304	Castor adapter, black coated	RH
1.1	760758304	Castor adapter, black coated	LH
1.3	000102151-ET	Screw M 12 x 60 mm DIN 6912	
1.4	000138010-ET	Lock Washer 13	Pack of 10
1.5	000131087-ET	Locating disc 12 x 18 x 1.5 DIN 988	Pack of 25
2.1	000104112-ET	Oval-head screw M 8 x 55 ISO 7380 for round fork 143 x 39 and 168 x 39	Pack of 10

Pos	Item number	Description	Comment
2.1	000104113-ET	Oval head screw M8 x 60 ISO 7380	Pack of 10
2.1	068571	Cator axle for 32 fork cpl.	
2.3	000128020-ET	Hex nut M8 Trelock, half height	Pack of 25
2.4	000130108-ET	A 8.4 washer DIN 125	Pack of 25
3.1-3.6	760858350	Fitting accessories for castor fitting, complete. (Frame mount)	-
3.3	000154205-ET	Cylindrical pin 8 x 32 DIN 7	Pack of 25
3.4	000102305.01-ET	Lens head screw M 6 x 40, 8.8 , Tufloc, Trx	Pack of 10
3.5	000130107-ET	Washer A6.4 DIN 125	Pack of 25
3.6	000128007-ET	Hex nut M 6 DIN 985	Pack of 25
1.3-1.5 + 5.1- 5.2	84407103	Castor fixation kit	
-	000101066	Mounting accessories for 6 Inch Castor Soft and 7 Inch Solid and Pneumatic	
-	000101067	Mounting accessories for 3,4,5, 6 Inch Castor Solid and Pneumatic	
2.2	066556-ET	Washer for Castor 2mm	
2.2	71105005-001-ET	Distance for Castoraxle 4mm, Alu	
2.2	71105005-005-ET	Distance for Castoraxle 10mm, Alu	
2.2	058512-ET	Washer for Castor 3,5mm	
1.1- 1.5,4.1- 4.2	066581-001	Carbotecture ® Fork 111x45 black	
1.1- 1.5,4.1- 4.2	066581-002	Carbotecture ® Fork 111x45 silver	
1.1- 1.5,4.1- 4.2	066581-003	Carbotecture ® Fork 111x45 orange	
1.1- 1.5,4.1- 4.2	066582-001	Carbotecture ® Fork 111x32 black	
1.1- 1.5,4.1- 4.2	066582-002	Carbotecture ® Fork 111x32 silver	
1.1- 1.5,4.1- 4.2	066582-003	Carbotecture ® Fork 111x32 orange	
4.1- 4.2,1.3- 1.5	84609002	Rebuilding Kit (Seatheight)	

Fork for swing away frame , Aluminium



Pos	Item number	Description	Comment
1.1	760858304	Castor adapter, black coated	RH
1.1	760758304	Castor adapter, black coated	LH
1.1- 1.5,4.1- 4.2	760858330	Castor, round fork, black 168 x 39 with castor adapter, complete	RH

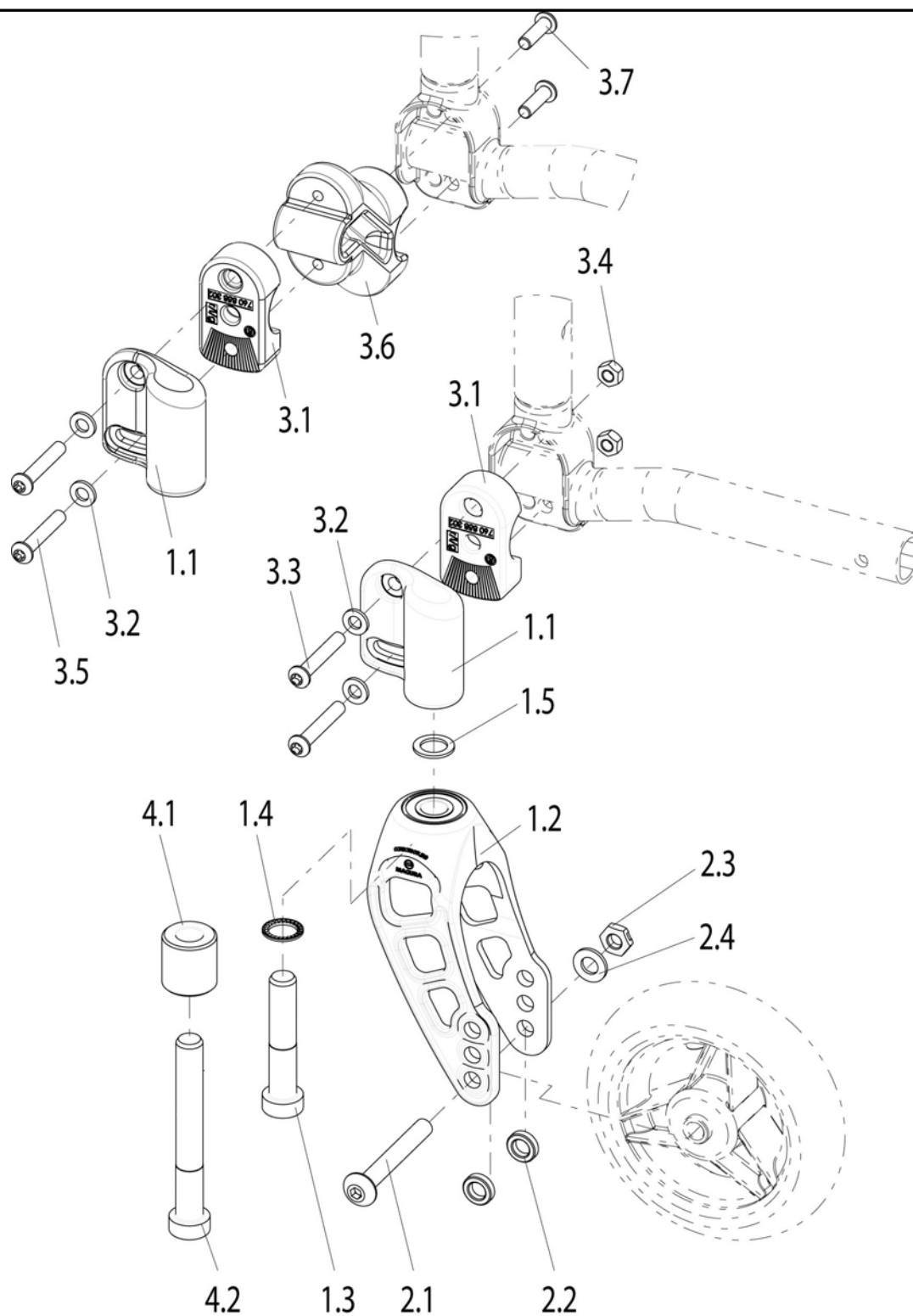
Fork for swing away frame , Aluminium

Pos	Item number	Description	Comment
1.1- 1.5,4.1- 4.2	760758330	Castor, round fork, black 168 x 39 with castor adapter, complete	LH
1.1- 1.5,4.1- 4.2	072506-001	Castor, round fork, silver 168 x 39 with castor adapter, complete	RH
1.1- 1.5,4.1- 4.2	072506-002	Castor, round fork, silver 168 x 39 with castor adapter, complete	LH
1.1- 1.5,4.1- 4.2	072507-001	Castor, round fork, gold orange 168 x 39 with castor adapter, complete	RH
1.1- 1.5,4.1- 4.2	072507-002	Castor, round fork, gold orange 168 x 39 with castor adapter, complete	LH
1.1- 1.5,4.1- 4.2	760858331	Castor, round fork, black 168 x 45 with castor adapter, complete	RH
1.1- 1.5,4.1- 4.2	760758331	Castor, round fork, black 168 x 45 with castor adapter, complete	LH
1.1- 1.5,4.1- 4.2	072508-001	Castor, round fork, silver 168 x 45 with castor adapter, complete	RH
1.1- 1.5,4.1- 4.2	072508-002	Castor, round fork, silver 168 x 45 with castor adapter, complete	LH
1.1- 1.5,4.1- 4.2	072509-001	Castor, round fork, gold orange 168 x 45 with castor adapter, complete	RH
1.1- 1.5,4.1- 4.2	072509-002	Castor, round fork, gold orange 168 x 45 with castor adapter, complete	LH
1.1- 1.5,4.1- 4.2	760858332	Castor, round fork, black 143 x 39 with castor adapter, complete	RH
1.1- 1.5,4.1- 4.2	760758332	Castor, round fork, black 143 x 39 with castor adapter, complete	LH
1.1- 1.5,4.1- 4.2	072510-001	Castor, round fork, silver 143 x 39 with castor adapter, complete	RH
1.1- 1.5,4.1- 4.2	072510-002	Castor, round fork, silver 143 x 39 with castor adapter, complete	LH
1.1- 1.5,4.1- 4.2	072511-001	Castor, round fork, gold orange 143 x 39 with castor adapter, complete	RH
1.1- 1.5,4.1- 4.2	072511-002	Castor, round fork, gold orange 143 x 39 with castor adapter, complete	LH
1.1- 1.5,4.1- 4.2	760758335.01	Castor, round fork, coloured with castor adapter, complete	LH

Fork for swing away frame , Aluminium

Pos	Item number	Description	Comment
1.1- 1.5,4.1- 4.2	760858335.01	Castor, round fork, coloured with castor adapter, complete	RH
1.3	000102151-ET	Screw M 12 x 60 mm DIN 6912	
1.4	000138010-ET	Lock Washer 13	Pack of 10
1.5	000131087-ET	Locating disc 12 x 18 x 1.5 DIN 988	Pack of 25
2.1	000104112-ET	Oval-head screw M 8 x 55 ISO 7380 for round fork 143 x 39 and 168 x 39	Pack of 10
2.1	000104113-ET	Oval head screw M8 x 60 ISO 7380	Pack of 10
2.3	000128020-ET	Hex nut M8 Trelock, half height	Pack of 25
2.4	000130108-ET	A 8.4 washer DIN 125	Pack of 25
3.1-3.6	760858350	Fitting accessories for castor fitting, complete. (Frame mount)	-
3.3	000102317.01-ET	Lense head screw M6x37, Torx	Pack of 25
3.4	000130107-ET	Washer A6.4 DIN 125	Pack of 25
1.3-1.5 + 5.1- 5.2	84407103	Castor fixation kit	
3.2,3.5- 3.7	072552	HEMI Bracket complete can be used right and left	
-	000101066	Mounting accessories for 6 Inch Castor Soft and 7 Inch Solid and Pneumatic	
-	000101067	Mounting accessories for 3,4,5, 6 Inch Castor Solid and Pneumatic	
2.2	066556-ET	Washer for Castor 2mm	
2.2	71105005-001-ET	Distance for Castoraxle 4mm, Alu	
2.2	71105005-005-ET	Distance for Castoraxle 10mm, Alu	
2.2	058512-ET	Washer for Castor 3,5mm	
3.1-3.4	072551	Mounting accessories for Forkmounting cpl.	LH/RH usable
4.1- 4.2,1.3- 1.5	84609002	Rebuilding Kit (Seatheight)	

Fork for swing away frame , Carbotecture

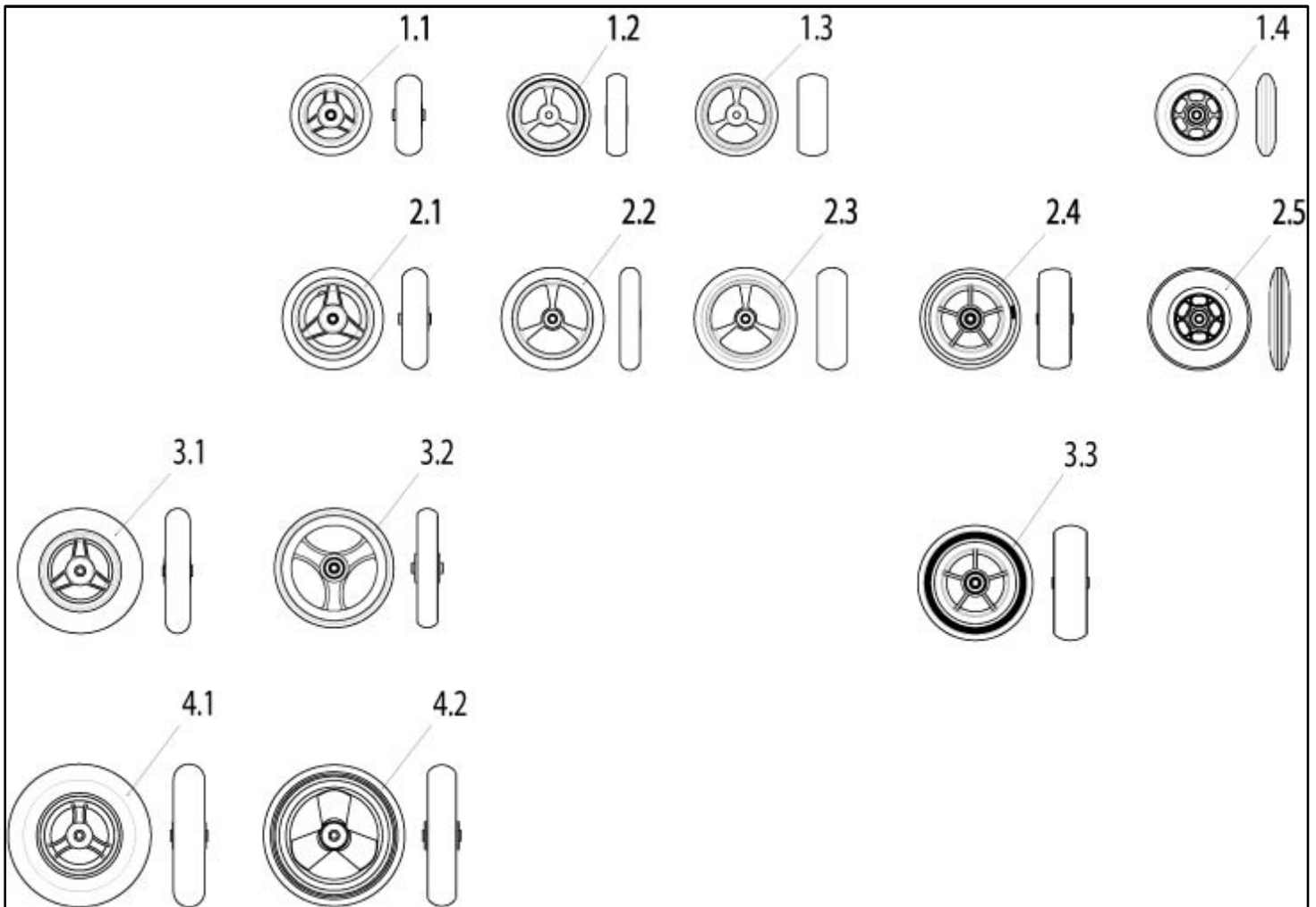


Pos	Item number	Description	Comment
1.1	760858304	Castor adapter, black coated	RH
1.1	760758304	Castor adapter, black coated	LH
1.3	000102151-ET	Screw M 12 x 60 mm DIN 6912	

Fork for swing away frame , Carbotecture

Pos	Item number	Description	Comment
1.4	000138010-ET	Lock Washer 13	Pack of 10
1.5	000131087-ET	Locating disc 12 x 18 x 1.5 DIN 988	Pack of 25
2.1	000104112-ET	Oval-head screw M 8 x 55 ISO 7380 for round fork 143 x 39 and 168 x 39	Pack of 10
2.1	000104113-ET	Oval head screw M8 x 60 ISO 7380	Pack of 10
2.1	068571	Castor Axle for 32mm Fork cpl.	
2.3	000128020-ET	Hex nut M8 Trelock, half height	Pack of 25
2.4	000130108-ET	A 8.4 washer DIN 125	Pack of 25
3.1-3.6	760858350	Fitting accessories for castor fitting, complete. (Frame mount)	-
3.3	000102317.01-ET	Lense head screw M6x37, Torx	Pack of 25
3.4	000130107-ET	Washer A6.4 DIN 125	Pack of 25
1.3-1.5 + 5.1- 5.2	84407103	Castor fixation kit	
3.2,3.5- 3.7	072552	HEMI Bracket complete can be used right and left	
-	000101066	Mounting accessories for 6 Inch Castor Soft and 7 Inch Solid and Pneumatic	
-	000101067	Mounting accessories for 3,4,5, 6 Inch Castor Solid and Pneumatic	
2.2	066556-ET	Washer for Castor 2mm	
2.2	71105005-001-ET	Distance for Castoraxle 4mm, Alu	
2.2	71105005-005-ET	Distance for Castoraxle 10mm, Alu	
2.2	058512-ET	Washer for Castor 3,5mm	
3.1-3.4	072551	Mounting accessories for Fork mounting cpl.	LH/RH usable
1.1- 1.5,4.1- 4.2	066581-001	Carbotecture ® Fork 111x45 black	
1.1- 1.5,4.1- 4.2	066581-002	Carbotecture ® Fork 111x45 silver	
1.1- 1.5,4.1- 4.2	066581-003	Carbotecture ® Fork 111x45 orange	
1.1- 1.5,4.1- 4.2	066582-001	Carbotecture ® Fork 111x32 black	
1.1- 1.5,4.1- 4.2	066582-002	Carbotecture ® Fork 111x32 silver	
1.1- 1.5,4.1- 4.2	066582-003	Carbotecture ® Fork 111x32 orange	
4.1- 4.2,1.3- 1.5	84609002	Rebuilding Kit (Seatheight)	

Castors

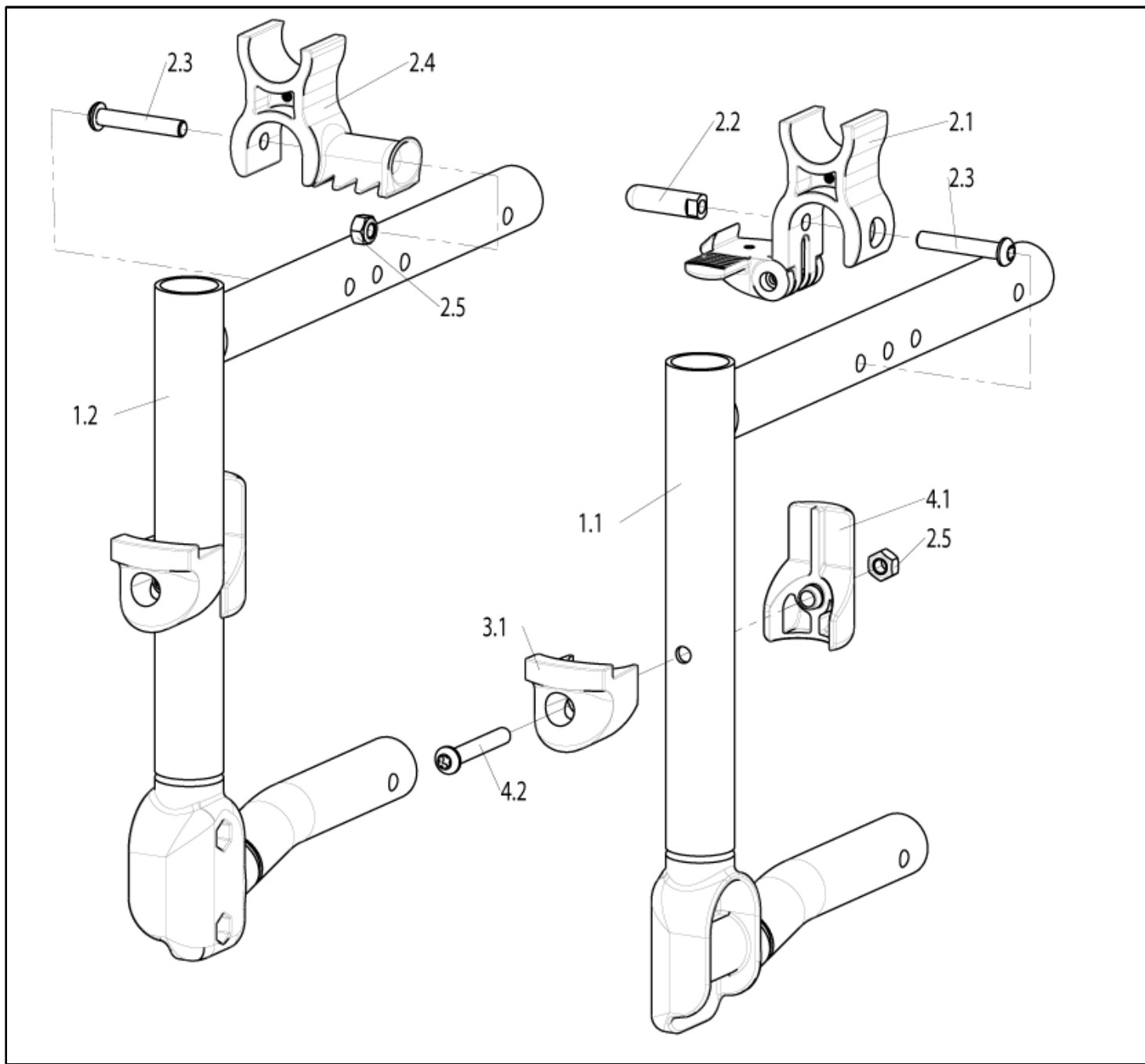


Pos	Item number	Description	Comment
1.1	000221034	Castor 4 Inch Solid	
1.2	066542	Castor 4 Inch Aluminium Solid	
1.3	066544	Castor 4 Inch Aluminium Soft	
1.4	000221036	Castor 4 Inch Light up	
2.1	000221035	Castor 5 Inch Solid	
2.2	066546	Castro 5 Inch Aluminium Solid	
2.3	066548	Castor 5 Inch Aluminium Soft	
2.4	000221005	Castor 5 Inch Soft	
2.5	Q052129-ET	Castor 5 Inch Light up	2 pcs./pack, Note: Design change starting week 08/2015
3.1	000221013	Castor 6 Inch Pneumatic	
3.2	000858046	Castor 6 Inch Solid	
3.3	000221016	Castor 6 Inch Soft	

Castors

Pos	Item number	Description	Comment
4.1	000221015.01	Castor 7 Inch Pneumatic	
4.2	000858150	Castor 7 Inch Solid	

Front Frame for Swing Away Footrest

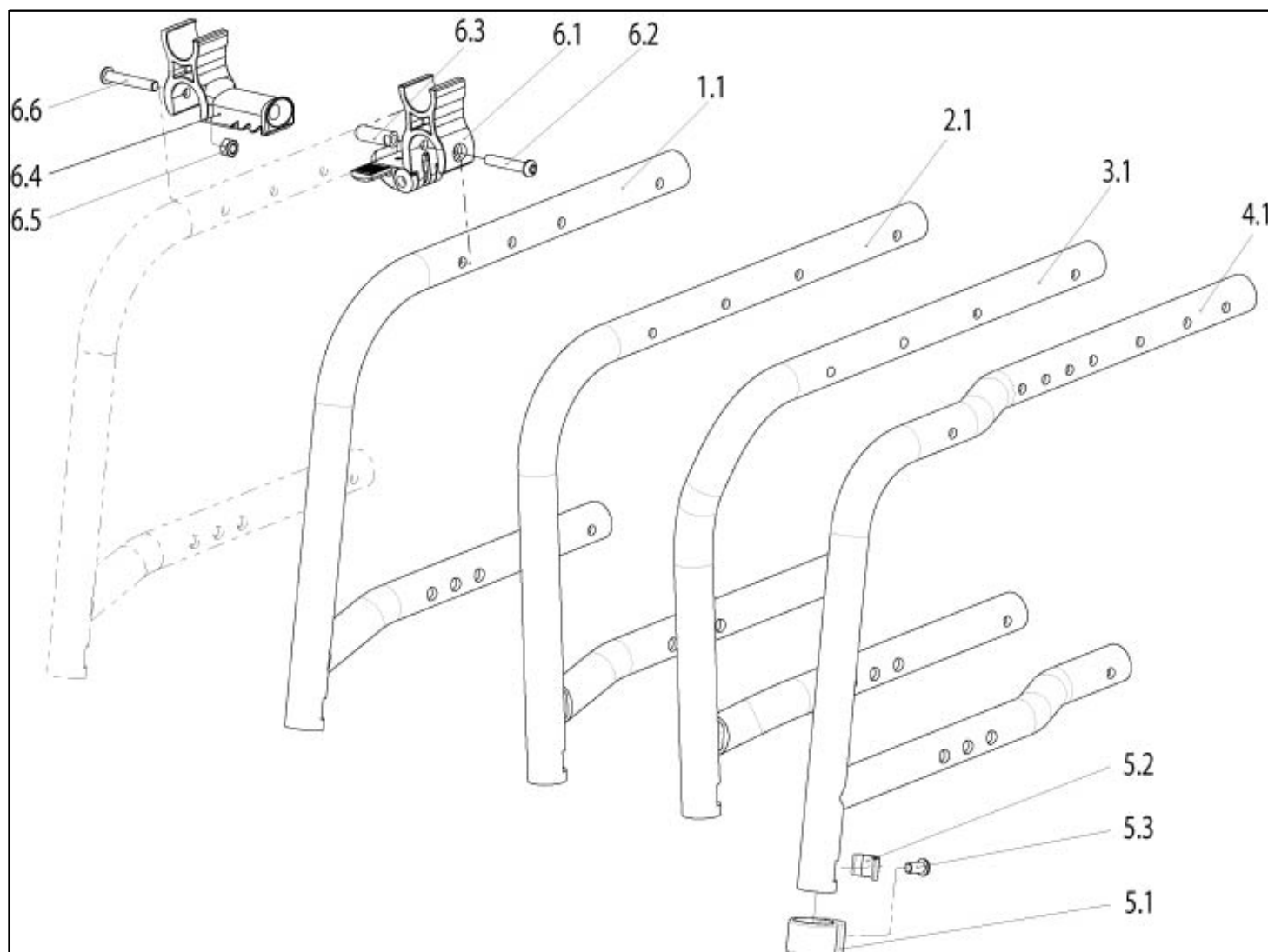


Pos	Item number	Description	Comment
1.1	072141-001	SWINGAWAY FRAME, LH SD36-40, COLORED	
1.1	072141-002	SWINGAWAY FRAME, LH SD42-44, COLORED	
1.1	072141-003	SWINGAWAY FRAME, LH SD46-50, COLORED	
1.2	072142-001	SWINGAWAY FRAME, RH SD36-40, COLORED	
1.2	072142-002	SWINGAWAY FRAME, RH SD42-44, COLORED	
1.2	072142-003	SWINGAWAY FRAME, RH SD46-50, COLORED	
2.1-2.5	71101020-000	Automatical Folding Fixation complete	all SW

Front Frame for Swing Away Footrest

Pos	Item number	Description	Comment
2.3	000102304.01-ET	Lens head screw M 6 x 35, 8.8 , Tufloc, Trx	25 pcs./pack
2.5	000128007-ET	Hex nut M 6 DIN 985	25 pcs./pack
3.1+4.1- 4.2+2.5	072134	Mounting accessory for plastic material footrest (starting week 24/2013)	
4.2	000102305.01-ET	Oval head screw M6 x 40 with Torx drive	25 pcs./pack
	000412.6307-ET	Sticker - Fixation point -, white	4 pcs./pack
	000412.6309-ET	Sticker - Fixation point -, black	4 pcs./pack
	84609020-000	Easy Life T Label (all Colours)	
-	71102019-ET	Hanger stop	2 pcs./pack
2.1-2.5	765812015	Folding Fixation complete	

Front Frame for Fixed Footrest

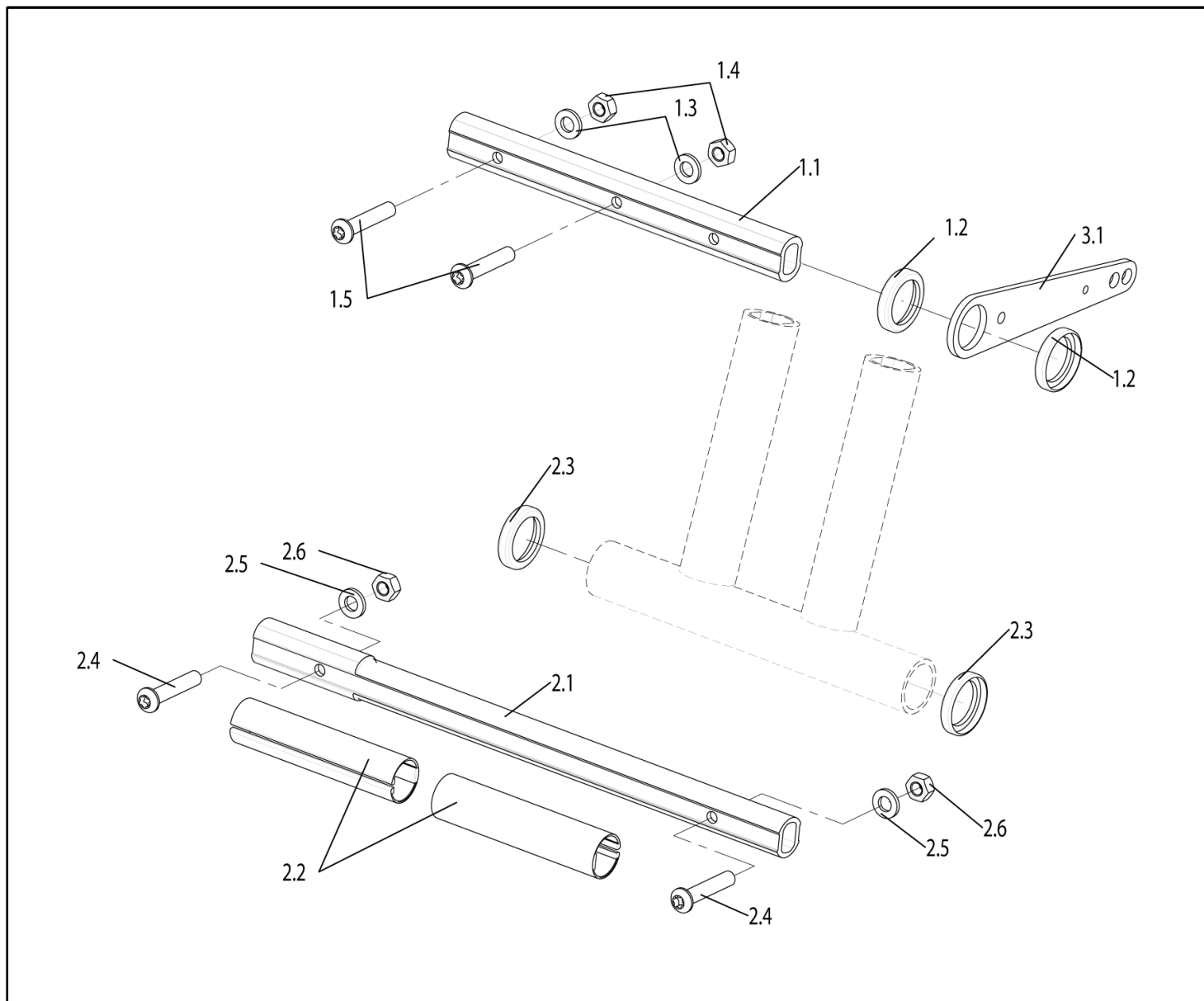


Pos	Item number	Description	Comment
1.1	072127-001	FIXED FRAME 75°, SD36-40, COLORED	LH&RH useable
1.1	072127-002	FIXED FRAME 75°, SD42-44, COLORED	LH&RH useable
1.1	072127-003	FIXED FRAME 75°, SD46-48, COLORED	LH&RH useable
2.1	84401006-001-ET	FIXED FRAME 85°, SD36-40, COLORED	LH&RH useable
2.1	84401006-002-ET	FIXED FRAME 85°, SD42-44, COLORED	LH&RH useable
2.1	84401006-003-ET	FIXED FRAME 85°, SD46-48, COLORED	LH&RH useable
3.1	84401009-101-ET	FIXED FRAME 85°, 2cm inset, SD36-40, COLORED	LH
3.1	84401009-102-ET	FIXED FRAME 85°, 2cm inset, SD42-44, COLORED	LH
3.1	84401009-103-ET	FIXED FRAME 85°, 2cm inset, SD46-48, COLORED	LH

Front Frame for Fixed Footrest

Pos	Item number	Description	Comment
3.1	84401009-201-ET	FIXED FRAME 85°, 2cm inset, SD36-40, COLORED	RH
3.1	84401009-202-ET	FIXED FRAME 85°, 2cm inset, SD42-44, COLORED	RH
3.1	84401009-203-ET	FIXED FRAME 85°, 2cm inset, SD46-48, COLORED	RH
5.3	000102304.01-ET	Lens head screw M 6 x 35, 8.8 , Tufloc, Trx	Pack of 25
5.5	000128007-ET	Hex nut M 6 DIN 985	Pack of 25
5.1-5.3	750826006	Fitting accesories for footplate	
6.1-6.6	71101020-000	Automatical Folding Fixation complete	all SW
-	765812015	Folding Fixation complete	
4.1	84601310-201-ET	FIXED FRAME 85°, ABDU, SD32-34; COLORED	RH
4.1	84601310-202-ET	FIXED FRAME 85°, ABDU, SD36-38; COLORED	RH
4.1	84601310-203-ET	FIXED FRAME 85°, ABDU, SD40-46; COLORED	RH
4.1	84601310-211-ET	FIXED FRAME 85°, ABDU, SD32-34; COLORED	LH
4.1	84601310-212-ET	FIXED FRAME 85°, ABDU, SD36-38; COLORED	LH
4.1	84601310-213-ET	FIXED FRAME 85°, ABDU, SD40-46; COLORED	LH
-	84609020-000	Easy Life T Label (all Colours)	

Connection Profil



Pos	Item number	Description	Comment
1.1-1.5	84606004	Upper Connetion tube cpl. for FF/SA/Insert Frame	
1.1-1.5	84606002	Upper Connetion tube cpl. for Abdu Frame	
2.1-2.6	84606003	Lower Connetion tube cpl. for FF/SA/Insert Frame	
2.1-2.6	84606001	Lower Connetion tube cpl. for Abdu Frame	
1.5	000102312.01-ET	Oval-head screw M 6 x 32 with Torx drive	Pack of 25
1.2	760812002-ET	Distance washer	Pack of 10
1.3	000130107-ET	Washer A6.4 DIN 125	Pack of 25
1.4	000128007-ET	Hex nut M 6 DIN 985	Pack of 25
2.2	760831004-ET	Spilt bearing	Pack of 10
2.3	760812002-ET	Distance washer	Pack of 10

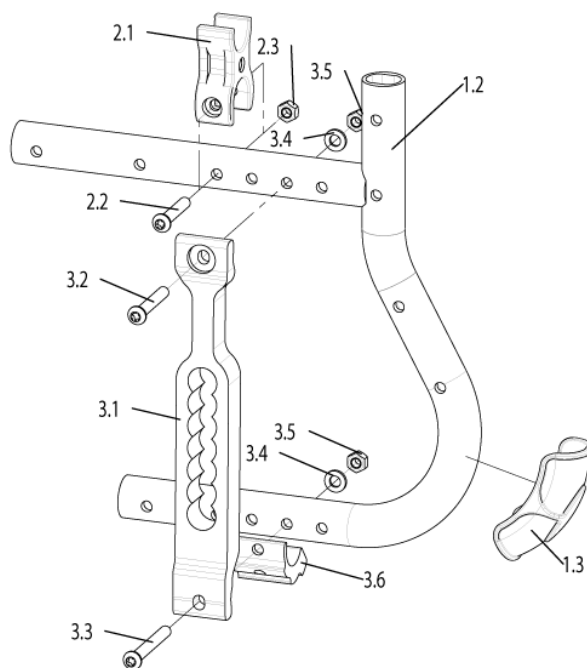
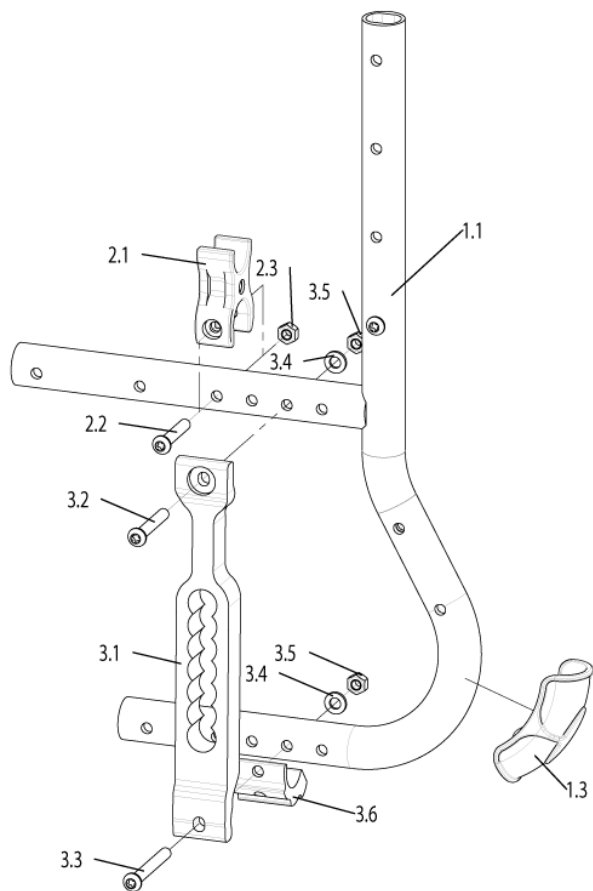
Connection Profil

Pos	Item number	Description	Comment
2.4	000102312.01-ET	Oval-head screw M 6 x 32 with Torx drive	Pack of 25
2.5	000130107-ET	Washer A6.4 DIN 125	Pack of 25
2.6	000128007-ET	Hex nut M 6 DIN 985	Pack of 25
3.1	760831005.02	Cross-brace bracket for SW: 36/38	
3.1	760831005.03	Cross-brace bracket for SW: 40	
3.1	760831005.04	Cross-brace bracket for SW: 44-46	
3.1	760831006	Cross-brace bracket for SW: 48-50	
3.1	760831005.01	Cross-brace bracket for SW: 32/34	
3.1	84602201	Cross-brace bracket for SW: 28/30	

Back Frame

Rahmen für Rücken STD / Rücken abklappbar
 Frame used with STD backrest / swing away backrest

Rahmen für Rücken winkeleinstellbar
 Frame used with angle adjustable backrest

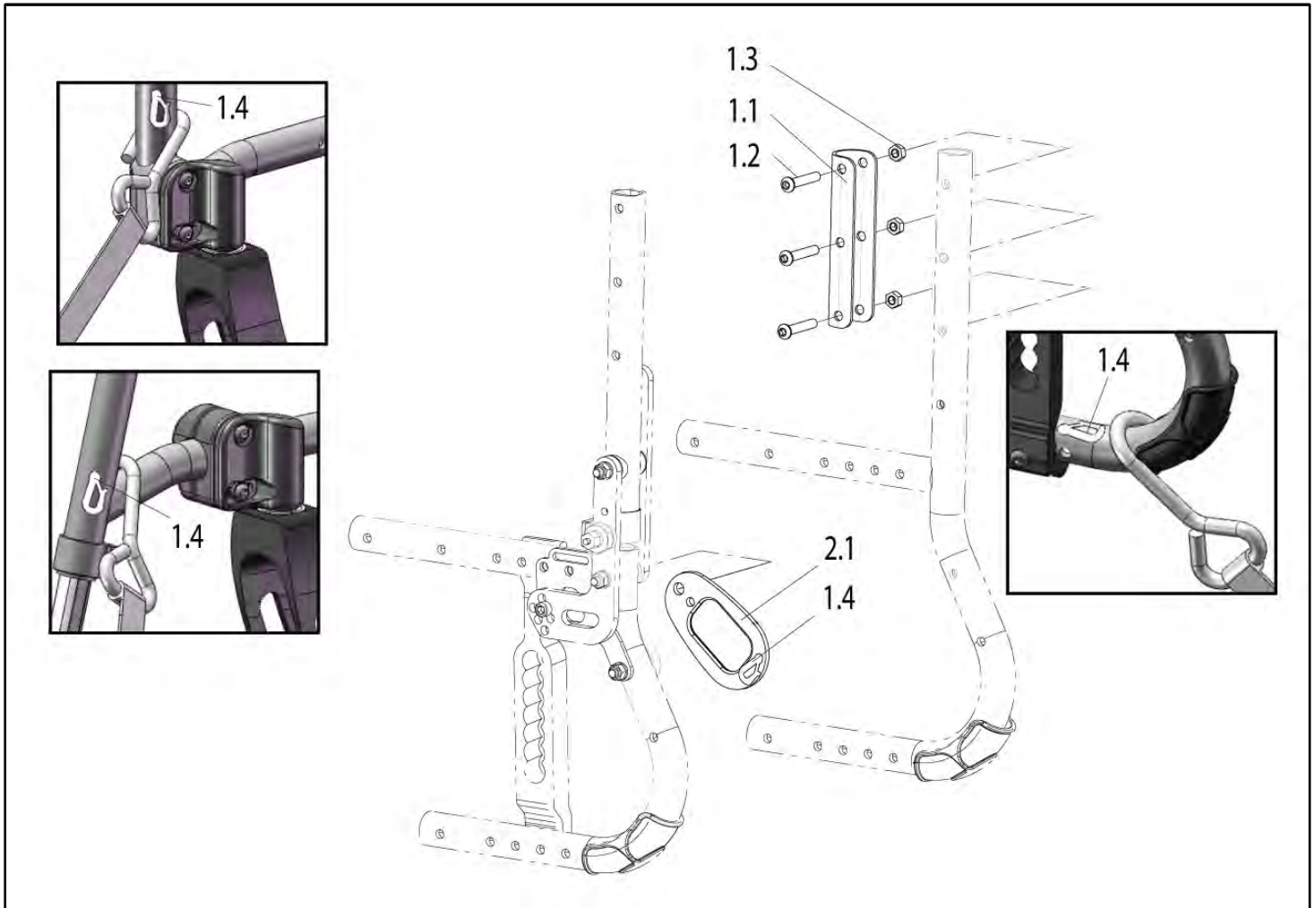


Pos	Item number	Description	Comment
1.1,1.3	072128-001	Rear Frame standard, colored left	
1.1,1.3	072128-002	Rear Frame standard, colored right	
1.2,1.3	072128-003	Rear Frame angle adjustable back, colored	
1.3	072110-ET	Rear Frame Cover	Pack of 2
2.1-2.3	760812001.01	Support with fitting accessories, complete	2 pcs./pack
2.2	000102304.01-ET	Lens head screw M 6 x 35, 8.8 , Tufloc, Trx	Pack of 25
2.3	000128007-ET	Hex nut M 6 DIN 985	Pack of 25
3.1-3.5	072129-001	Axleplate 7-Holes complete, black anodized	
3.1-3.5	072129-002	Axleplate 7-Holes complete, silver anodized	
3.1-3.5	072129-003	Axleplate 7-Holes complete, gold orange anodized	
3.2	000102305.01-ET	Lens head screw M 6 x 40, 8.8 , Tufloc, Trx	Pack of 25
3.3	000102313.01-ET	Oval head screw M6 x 50 with Torx drive	Pack of 25

Back Frame

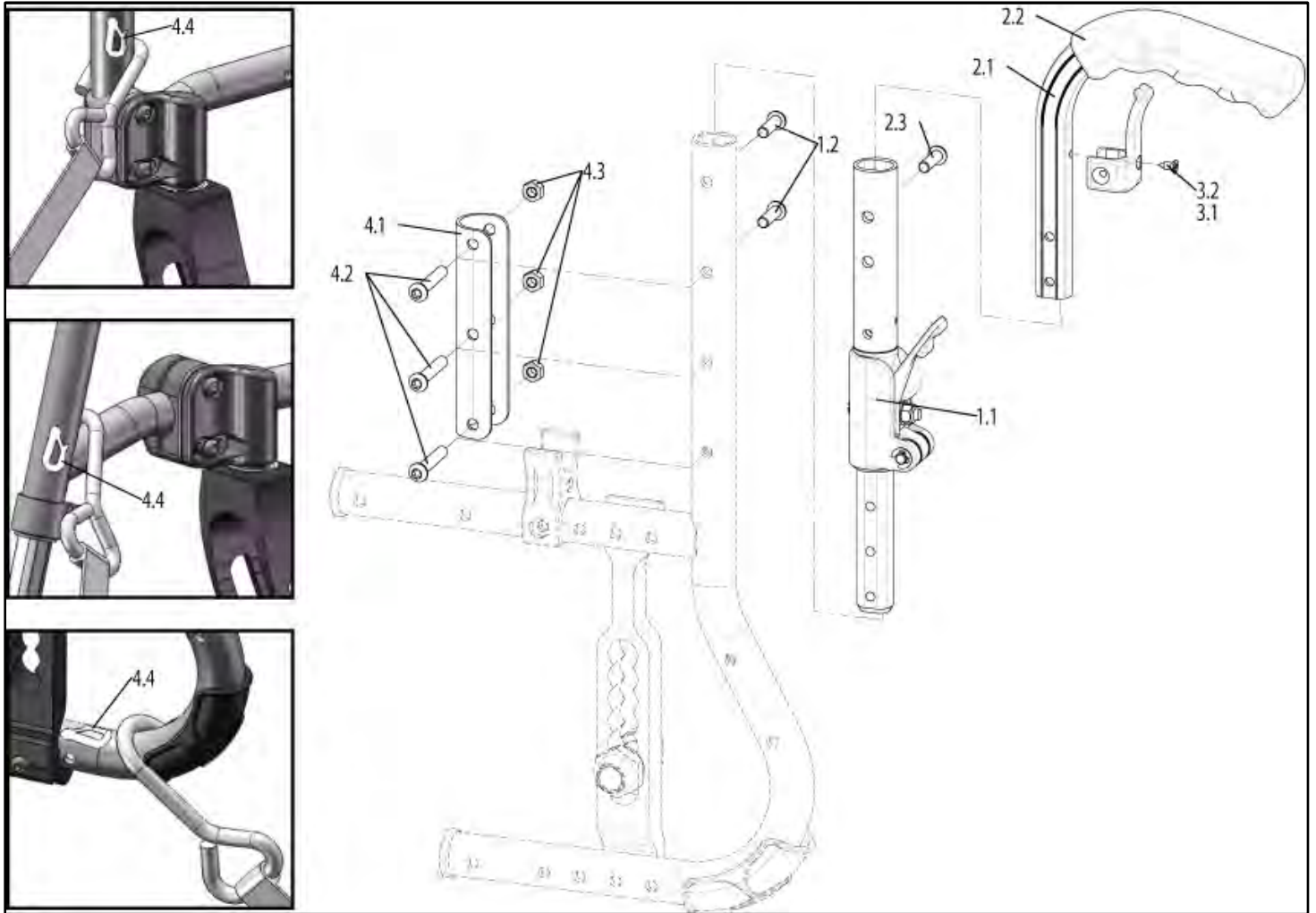
Pos	Item number	Description	Comment
3.4	000130107-ET	Washer A6.4 DIN 125	Pack of 25
3.5	000128007-ET	Hex nut M 6 DIN 985	Pack of 25
3.3-3.6	072130	Wheel Camber Bracket complete, silver anodized	
3.3-3.6	072131	Wheel Camber Bracket complete, black anodized	
3.3-3.6	072132	Wheel Camber Bracket complete, gold orange anodized	
3.3	000102313.01-ET	Oval head screw M6 x 50 with Torx drive	Pack of 25
3.4	000130107-ET	Washer A6.4 DIN 125	Pack of 25
3.5	000128007-ET	Hex nut M 6 DIN 985	Pack of 25
1.1,1.3	84601150-101	Rear Frame for standard back, coloured RH	only for andu frame SD32- 42
1.1,1.3	84601150-200-ET	Rear Frame for standard back, coloured 1side	only for andu frame SD32- 42
1.1,1.3	84601150-102	Rear Frame for standard back, coloured LH	only for andu frame SD32- 42

Crash Test Option



Pos	Item number	Description	Comment
1.1-1.4	072467	Transport lock cpl. (1Pack for RH and LH)	
1.2	000102304.01-ET	Button head cap screw M 6 x 35 Torx-drive	25 Pc/Pac.
1.3	000128007-ET	Hex nut M 6 DIN 985	25 pcs./pack
1.4	000412.6309-ET	Label - Tie down point -, black	4 pcs./pack
1.4	000412.6307-ET	Label - Tie down point -, white	4 pcs./pack
2.1+1.4	84409100	Transport lock for angle adj. backrest incl. mounting accessories and tie down labels	2 pcs./pack

Half Folding Back

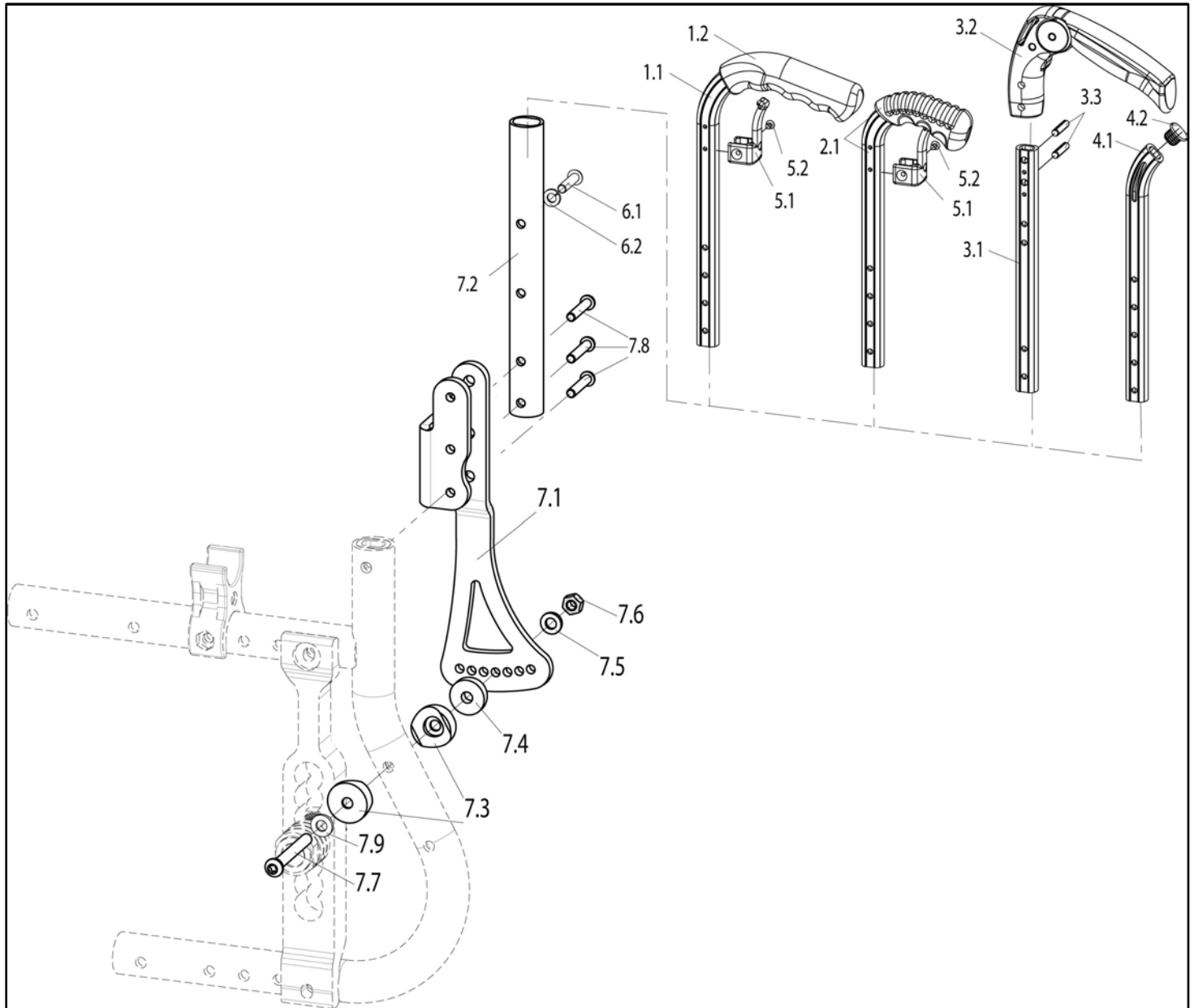


Pos	Item number	Description	Comment
1.1-3.2	072427-001	Half Folding Back complete BH40	can be used right & left
1.1-3.2	072427-002	Half Folding Back complete BH45	can be used right & left
1.1-1.2	072428	Half Folding Back Mech complete	
1.2	000102307.01-ET	Button head cap screw M 6 x 20 Torx drive	Pack of 25
2.1-2.4	072429-001-ET	Backtube for Half Folding Back BH40	2 pcs./pack
2.1-2.4	072429-002-ET	Backtube for Half Folding Back BH45	2 pcs./pack
2.2	71104052-ET	Grip for back tube (incl. glue)	10 pcs./pack
-	000050005	Superglue used with hand grips, 10 g	
2.3	066900-005-ET	Button head cap screw M6 x 25 - ISO 7380	Pack of 25
3.1-3.2	760949901	Accessories back upholstery adjustable (gebogener clamp) cpl.	Pair
3.2	000114005-ET	Countersunk screw ST 3,9 x 16 - DIN 7982	Pack of 25
4.1-4.4	072467	Transport lock cpl. (1Pack for RH and LH)	
4.2	000102304.01ET	Oval head screw M6 x 37 with Torx drive	Pack of 25

Pos	Item number	Description	Comment
4.3	000128007-ET	Hex nut M 6 DIN 985	Pack of 25
4.4	000412.6307-ET	Label - Tie down point -, white	4 pcs./pack
4.4	000412.6309-ET	Label - Tie down point -, black	4 pcs./pack
2.4	000133013-ET	Spring washer B6, DIN 127	25 pcs./pack

Back Angle Adjustable

Back Angle Adjustable



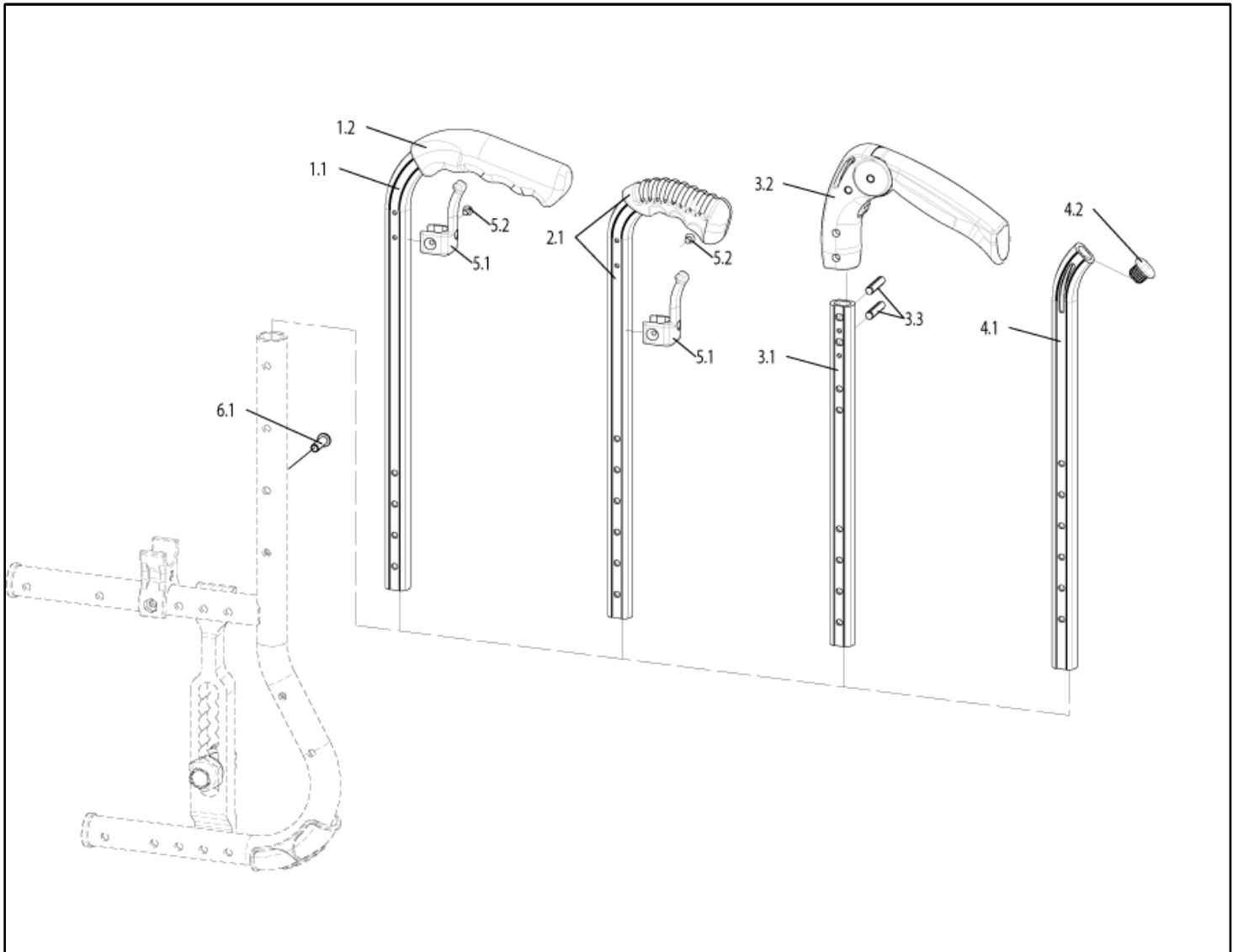
Pos	Item number	Description	Comment
1.1-1.2, 5.1-5.2, 6.1 - 6.2	072430-001	Rigid back tube Long Push Handles, Angle adj. BH30	
1.1-1.2, 5.1-5.2, 6.1 - 6.2	072430-002	Rigid back tube Long Push Handles, Angle adj. BH35	
1.1-1.2, 5.1-5.2, 6.1 - 6.2	072430-003	Rigid back tube Long Push Handles, Angle adj. BH40	
1.1-1.2, 5.1-5.2, 6.1 - 6.2	072430-004	Rigid back tube Long Push Handles, Angle adj. BH45	
1.2	71104052-ET	Grip for back tube (incl. glue)	10 pcs./pack

Pos	Item number	Description	Comment
-	000050005	Superglue used with hand grips, 10 g	
2.1, 5.1- 5.2, 6.1- 6.2	072431-001	Back tube with short push handle, Angle adj. BH25	
2.1, 5.1- 5.2, 6.1- 6.2	072431-002	Back tube with short push handle, Angle adj. BH30	
2.1, 5.1- 5.2, 6.1- 6.2	072431-003	Back tube with short push handle, Angle adj. BH35	
2.1, 5.1- 5.2, 6.1- 6.2	072431-004	Back tube with short push handle, Angle adj. BH40	
2.1, 5.1- 5.2, 6.1- 6.2	072431-005	Back tube with short push handle, Angle adj. BH45	
3.1-3.3, 6.1-6.2	072432-001	Back tube with Folding push handle, Angle adj. BH35	
3.1-3.3, 6.1-6.2	072432-002	Back tube with Folding push handle, Angle adj. BH40	
3.1-3.3, 6.1-6.2	072432-003	Back tube with Folding push handle, Angle adj. BH45	
4.1-4.2, 6.1-6.2	072433-001	Back tube without push handle, Angle adj. BH25	
4.1-4.2, 6.1-6.2	072433-002	Back tube without push handle, Angle adj. BH30	
4.1-4.2, 6.1-6.2	072433-003	Back tube without push handle, Angle adj. BH35	
4.1-4.2, 6.1-6.2	072433-004	Back tube without push handle, Angle adj. BH40	
4.1-4.2, 6.1-6.2	072433-005	Back tube without push handle, Angle adj. BH45	
-	072469-001	Back tube for Drumbrake angle adj. BH30	
-	072469-002	Back tube for Drumbrake angle adj. BH35	
-	072469-003	Back tube for Drumbrake angle adj. BH40	
-	072469-004	Back tube for Drumbrake angle adj. BH45	
4.2	760841001-ET	End stoppers for profile tube	Pack of 10
5.1-5.2	760949901	Accessories back upholstery adjustable (gebogener clamp) cpl.	Pair
5.2	000114005-ET	Countersunk screw ST 3,9 x 16 - DIN 7982	Pack of 25
7.1-7.9	07204001	Angle adjustable back cpl.	left
7.1-7.9	07204002	Angle adjustable back cpl.	right
7.1-7.9	07204003	Angle adjustable back cpl.	pair
7.3	000831232-ET	Half-liner for brake holder	Pack of 10
7.4	000130103-ET	Washer 20 x 6.4 x 5	pack of 4
7.5	000130107-ET	Washer 6,4 DIN 9021	Pack of 25
7.6	000128007-ET	Hex nut M 6 DIN 985	Pack of 25
7.7	000102313.01-ET	Oval head screw M6 x 50 with Torx drive	Pack of 25

Back Angle Adjustable

Pos	Item number	Description	Comment
7.8	000102312.01-ET	Oval-head screw M 6 x 32 with Torx drive	Pack of 25
7.9	066947-001-ET	Washer A6,4 DIN9021	Pack of 25
-	07204001	Angle adjustable back cpl. for alu and carbon sideguard	right
-	07204002	Angle adjustable back cpl. for alu and carbon sideguard	left
-	07204003	Angle adjustable back cpl. for alu and carbon sideguard	pair
-	07204001	Angle adjustable back cpl. for safari sieguard	right
-	07204002	Angle adjustable back cpl. for safari sieguard	left
-	07204003	Angle adjustable back cpl. for safari sieguard	pair
6.1	066900-005-ET	Button head cap screw M6 x 25 - ISO 7380	25 pcs./pack
6.2	000133013-ET	Spring washer B6, DIN 127	25 pcs./pack

Back tubes for standard back



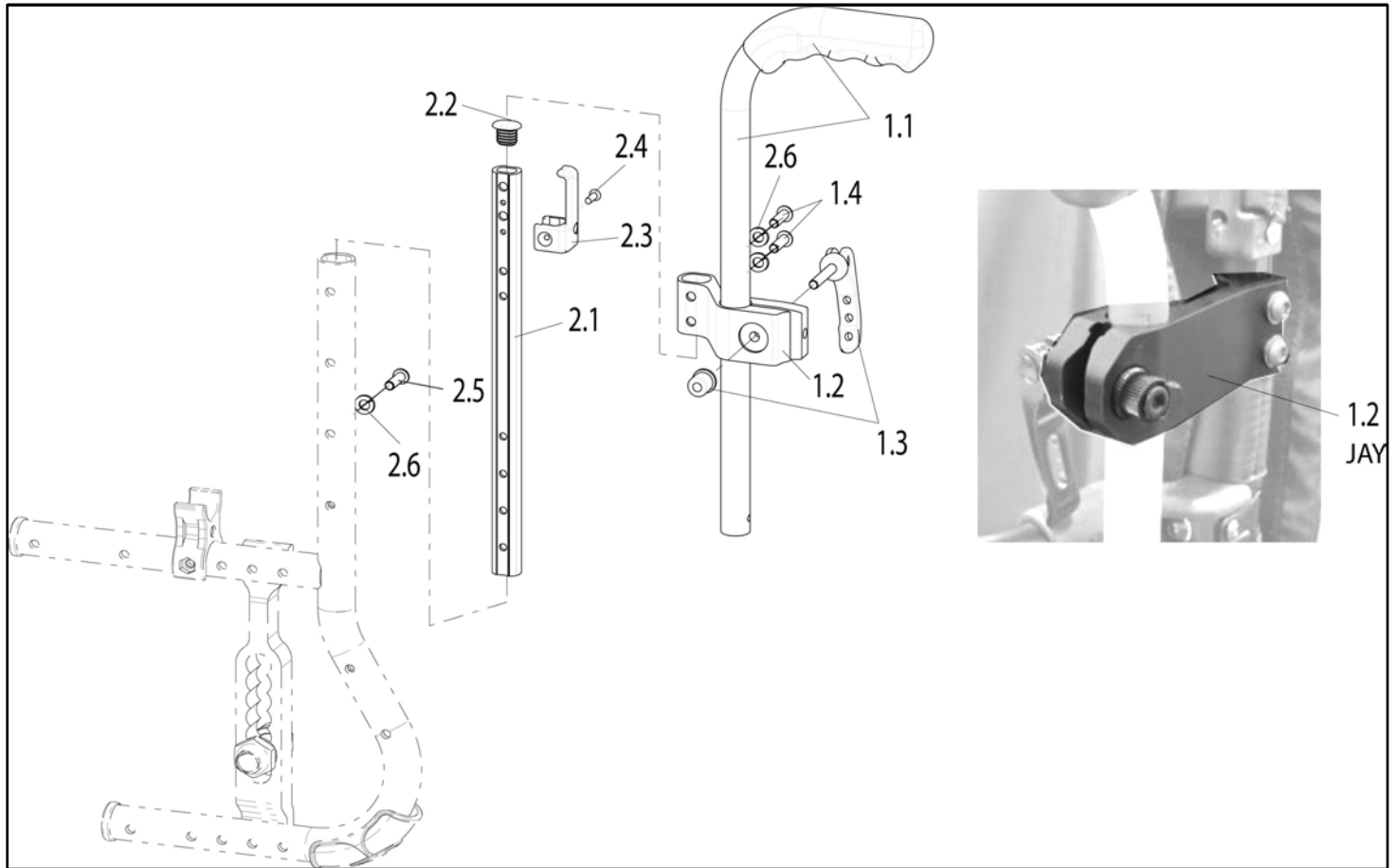
Pos	Item number	Description	Comment
1.1-1.2, 5.1-5.2, 6.1-6.2	072423-001-ET	Rigid back tube Long Push Handles BH25	2 pcs./pack
1.1-1.2, 5.1-5.2, 6.1-6.2	072423-002-ET	Rigid back tube Long Push Handles BH30	2 pcs./pack
1.1-1.2, 5.1-5.2, 6.1-6.2	072423-003-ET	Rigid back tube Long Push Handles BH35	2 pcs./pack
1.1-1.2, 5.1-5.2, 6.1-6.2	072423-004-ET	Rigid back tube Long Push Handles BH40	2 pcs./pack
1.1-1.2, 5.1-5.2, 6.1-6.2	072423-005-ET	Rigid back tube Long Push Handles BH45	2 pcs./pack
1.2	71104052-ET	Grip for back tube (incl. glue)	10 pcs./pack

Back tubes for standard back

Pos	Item number	Description	Comment
-	000050005	Superglue used with hand grips, 10 g	
2.1, 5.1- 5.2, 6.1- 6.2	072424-001	Back tube with short push handle, complete BH25	
2.1, 5.1- 5.2, 6.1- 6.2	072424-002	Back tube with short push handle, complete BH30	
2.1, 5.1- 5.2, 6.1- 6.2	072424-003	Back tube with short push handle, complete BH35	
2.1, 5.1- 5.2, 6.1- 6.2	072424-004	Back tube with short push handle, complete BH40	
2.1, 5.1- 5.2, 6.1- 6.2	072424-005	Back tube with short push handle, complete BH45	
3.1-3.3, 6.1-6.2	072425-001	Back tube with Folding push handle, complete BH30	
3.1-3.3, 6.1-6.2	072425-002	Back tube with Folding push handle, complete BH35	
3.1-3.3, 6.1-6.2	072425-003	Back tube with Folding push handle, complete BH40	
3.1-3.3, 6.1-6.2	072425-004	Back tube with Folding push handle, complete BH45	
4.1-4.2, 6.1-6.2	072426-001	Back tube without push handle, complete BH25	
4.1-4.2, 6.1-6.2	072426-002	Back tube without push handle, complete BH30	
4.1-4.2, 6.1-6.2	072426-003	Back tube without push handle, complete BH35	
4.1-4.2, 6.1-6.2	072426-004	Back tube without push handle, complete BH40	
4.1-4.2, 6.1-6.2	072426-005	Back tube without push handle, complete BH45	
4.2	760841001-ET	End stoppers for profile tube	Pack of 10
5.1-5.2	760949901	Accessories back upholstery adjustable (gebogener clamp) cpl.	Pair
5.2	000114005-ET	Countersunk screw ST 3,9 x 16 - DIN 7982	Pack of 25
6.1	066900-005-ET	Button head cap screw M6 x 25 - ISO 7380	Pack of 25
-	072423-006-ET	Back tube, STD, rigid, used with drum brake wheel, BH 25 cm	2 pcs./pack
-	072423-007-ET	Back tube, STD, rigid, used with drum brake wheel, BH 30 cm	2 pcs./pack
-	072423-008-ET	Back tube, STD, rigid, used with drum brake wheel, BH 35 cm	2 pcs./pack
-	072423-009-ET	Back tube, STD, rigid, used with drum brake wheel, BH 40 cm	2 pcs./pack
-	072423-010-ET	Back tube, STD, rigid, used with drum brake wheel, BH 45 cm	2 pcs./pack
-	072430-005	Back tube, STD, angle adjustable, used with drum brake wheel, BH 30 cm	
-	072430-006	Back tube, STD, angle adjustable, used with drum brake wheel, BH 35 cm	
-	072430-007	Back tube, STD, angle adjustable, used with drum brake wheel, BH 40 cm	

Pos	Item number	Description	Comment
-	072430-008	Back tube, STD, angle adjustable, used with drum brake wheel, BH 45 cm	
6.2	000133013-ET	Spring washer B6, DIN 127	25 pcs./pack

Height Adjustable Push Handle

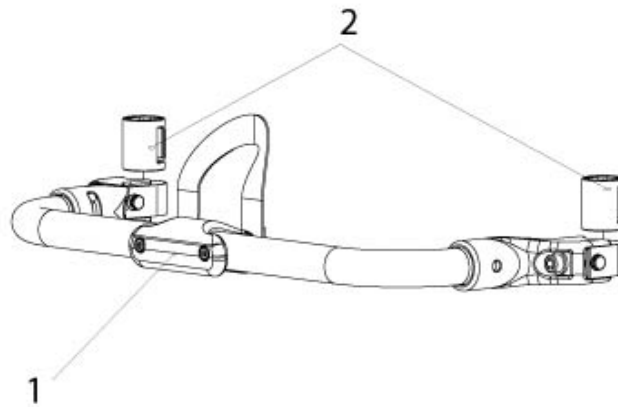


Pos	Item number	Description	Comment
1.1-2.6	072435-001	Height-adjustable push handle and Backtube BH30 used with JAY backrest and autofolding stabilizer bar	LH/RH useable
1.1-2.6	072435-002	Height-adjustable push handle and Backtube BH35 used with JAY backrest and autofolding stabilizer bar	LH/RH useable
1.1-2.6	072435-003	Height-adjustable push handle and Backtube BH40 used with JAY backrest and autofolding stabilizer bar	LH/RH useable
1.1-2.6	072435-004	Height-adjustable push handle and Backtube BH45 used with JAY backrest and autofolding stabilizer bar	LH/RH useable
1.1-2.6	072435-006	Height-adjustable push handle and Backtube BH30 used with standard backrest and angle adjustable backrest	LH/RH useable
1.1-2.6	072435-007	Height-adjustable push handle and Backtube BH35 used with standard backrest and angle adjustable backrest	LH/RH useable
1.1-2.6	072435-008	Height-adjustable push handle and Backtube BH40 used with standard backrest and angle adjustable backrest	LH/RH useable
1.1-2.6	072435-009	Height-adjustable push handle and Backtube BH45 used with standard backrest and angle adjustable backrest	LH/RH useable
1.1	000841264-ET	Height-Adjustable push handle, BH 25 - 27.5 cm, black anodized	2 pcs./pack
1.1	000841265-ET	Height-adjustable push handle, BH 30 - 37.5 cm, black anodized	2 pcs./pack
1.1	000841266-ET	Height-adjustable push handle, BH 40 - 50 cm, black anodized	2 pcs./pack

Height Adjustable Push Handle

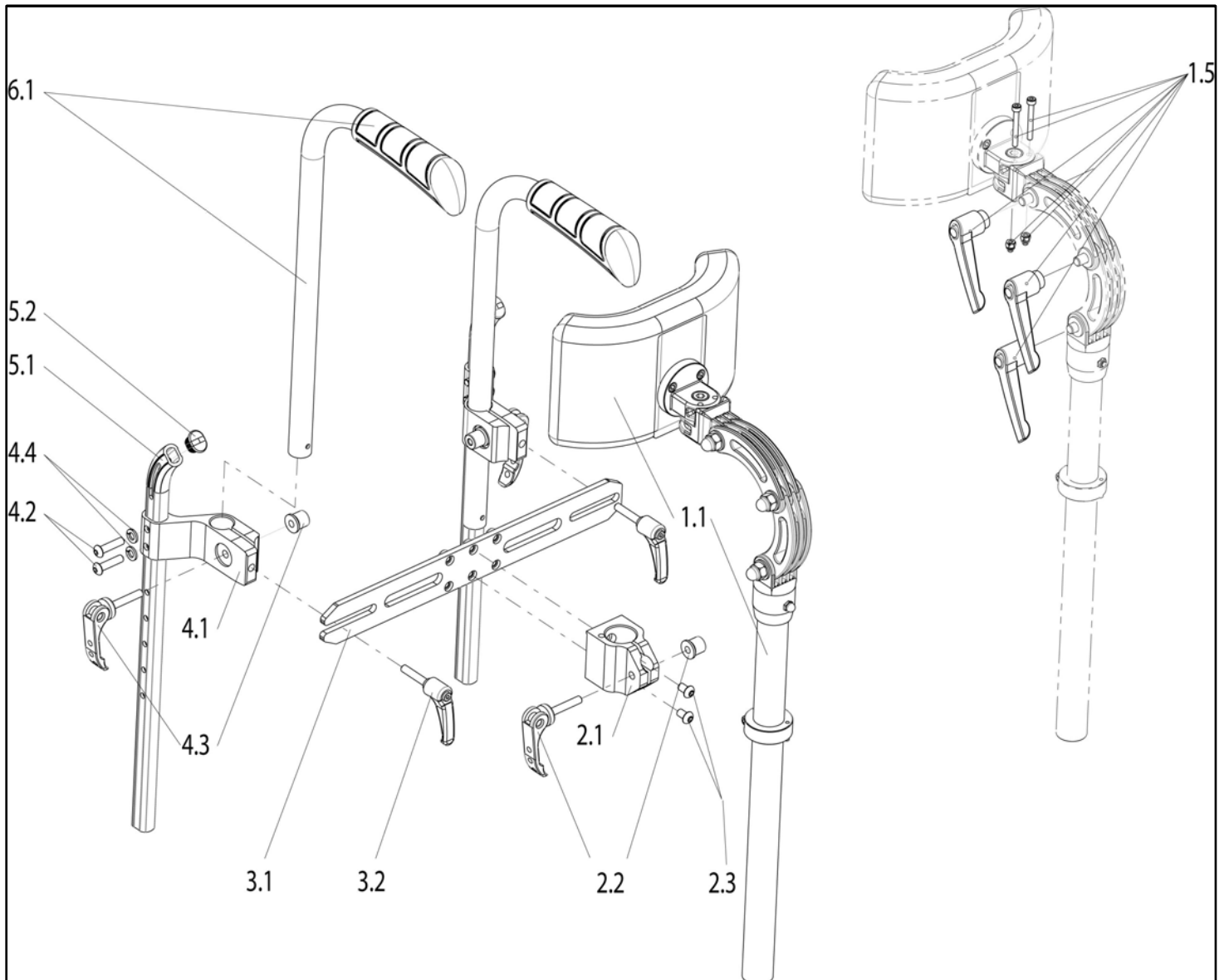
Pos	Item number	Description	Comment
-	000 841 268	Height-adjustable push handle used with drum brakes, complete BH: 30 - 37.5 Length approx. 350 mm	
-	000 841 269	Height-adjustable push handle used with drum brakes, complete BH: 40 - 47.5 Length approx. 270 mm	
1.2-1.4	065432	Push handle holder with quick tensioner used with JAY backrest and autofolding stabilizer bar complete	Pair
1.2-1.4	051456	Push handle holder with quick tensioner used with standard backrest and angle adjustable backrest complete	LH/RH useable
1.4	000102307.01-ET	Button head cap screw M 6 x 20 Torx drive	Pack of 25
2.1-2.6	072436-001	Backtube and Fitting accessories for back sling BH30	LH/RH useable
2.1-2.6	072436-002	Backtube and Fitting accessories for back sling BH35	LH/RH useable
2.1-2.6	072436-003	Backtube and Fitting accessories for back sling BH40	LH/RH useable
2.1-2.6	072436-004	Backtube and Fitting accessories for back sling BH45	LH/RH useable
2.3-2.4	760949902	Accessories back upholstery adjustable (straight line clamp) cpl.	Pair
2.4	000114005-ET	Countersunk screw ST 3,9 x 16 - DIN 7982	Pack of 25
2.5	066900-005-ET	Button head cap screw M6 x 25 - ISO 7380	Pack of 25
2.6	000133013-ET	Spring washer B6, DIN 127	25 pcs./pack

Stabilising Bar



Pos	Item number	Description
1.1	064720-001	Stabilising bar autofolding SW36
1.1	064720-002	Stabilising bar autofolding SW38
1.1	064720-003	Stabilising bar autofolding SW40
1.1	064720-004	Stabilising bar autofolding SW42
1.1	064720-005	Stabilising bar autofolding SW44
1.1	065720-007	Stabilising bar autofolding SW46
1.1	065720-008	Stabilising bar autofolding SW48
1.1	065720-009	Stabilising bar autofolding SW50
1.2	065725	Mountingkit for Stabilisingbar

Headrest with height adjustable push handles

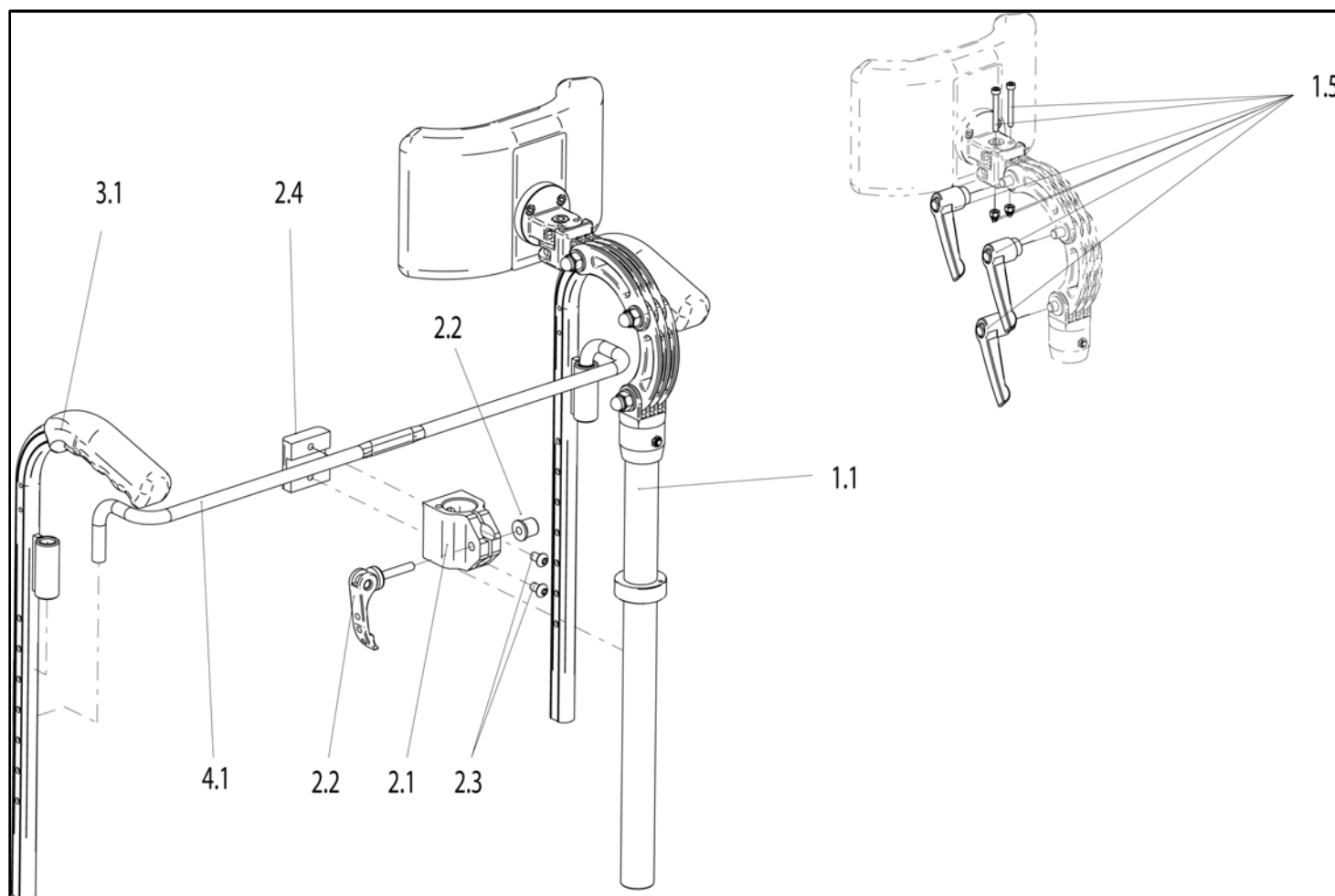


Pos	Item number	Description	Comment
1.1	84303012-001	Head rest padded - medium - (20 x 11 cm)	
1.1	84303012-002	Head rest padded - large - (23 x 11 cm)	
1.5	84303015	Mounting accessories, cpl.	
-	84303002-ET	Friction washer used with head rest hinge	10 pcs./pack, Note: use only with wheelchairs with headrest manufactured until week 35/2015
2.1-2.3	84310034	Head rest adapter with quick release lever	
2.2, 4.3	000233027	Rapid tensioner	
2.3	000102308.01-ET	Lens head screw M 6 x 12, Torx	25 pcs./pack

Headrest with height adjustable push handles

Pos	Item number	Description	Comment
3.1-4.4	84310035-000	Stabilizer bar (used as head rest adaptor)	
3.2	000233001-ET	Rapid tensioner stbailizer bar	5 pcs./pack
4.1-4.4	84310036	Height adj. push handle adapter with quick release lever cpl.	LH/RH useable
4.2	000102307.01-ET	Lens head screw M 6 x 20, Torx	25 St./Pkg.
5.1-5.2	84310037-001	Backrest tube for backrest w/o push handle and backrest with height adj. push handle used with BH 25 cm	LH/RH useable
5.1-5.2	84310037-002	Backrest tube for backrest w/o push handle and backrest with height adj. push handle used with BH 30 cm	LH/RH useable
5.1-5.2	84310037-003	Backrest tube for backrest w/o push handle and backrest with height adj. push handle used with BH 35 cm	LH/RH useable
5.1-5.2	84310037-004	Backrest tube for backrest w/o push handle and backrest with height adj. push handle used with BH 40 cm	LH/RH useable
-	84310032-001	Backrest tube for angle adj. backrest w/o push handle and backrest with height adj. push handle used with BH 25 cm	LH/RH useable
-	84310032-002	Backrest tube for angle adj. backrest w/o push handle and backrest with height adj. push handle used with BH 30 cm	LH/RH useable
-	84310032-003	Backrest tube for angle adj. backrest w/o push handle and backrest with height adj. push handle used with BH 35 cm	LH/RH useable
-	84310032-004	Backrest tube for angle adj. backrest w/o push handle and backrest with height adj. push handle used with BH 40 cm	LH/RH useable
5.2	760841001-ET	End plug for back tube	10 pcs./pack
6.1	000841264-ET	Height-Adjustable push handle, BH 25 - 27.5 cm, black anodized	2 pcs./pack
6.1	000841265-ET	Height-adjustable push handle, BH 30 - 37.5 cm, black anodized	2 pcs./pack
6.1	000841266-ET	Height-adjustable push handle, BH 40 - 50 cm, black anodized	2 pcs./pack
-	71104051-001-ET	Handgrip used with drum brake push handle	10 pcs./pack
-	71104051-002-ET	Handgrip with glue	10 pcs./pack

Backrest, STD with head rest for SW46-50



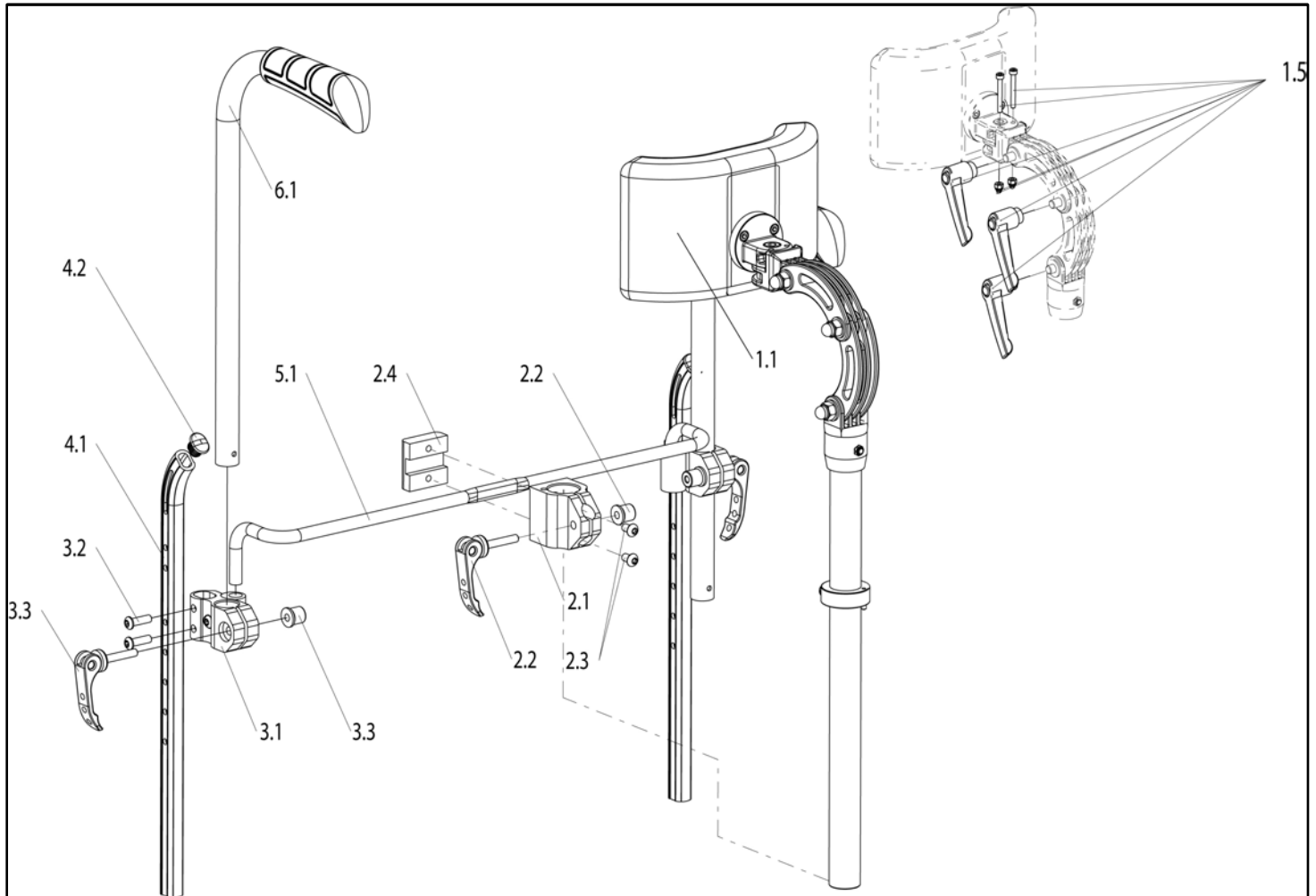
Pos	Item number	Description	Comment
1.1-4.1	000841500	Headrest, complete	
1.1	84303012-001	Head rest padded - medium - (20 x 11 cm)	
1.1	84303012-002	Head rest padded - large - (23 x 11 cm)	
1.5	84303015	Mounting accessories, cpl.	
-	84303002-ET	FRICITION WASHER USED WITH HEAD REST HINGE	10 pcs./pack, Note: use only with wheelchairs with headrest manufactured until week 35/2015
2.1- 2.4,4.1	000841504.01	Headrest bracket, complete for metric tube (from CW 10)	
4.1	000841510	Receiver tube for headrest	
2.2	000233027	Quick tension lever	
2.3	000102040-ET	Saucer head screw M 6 x 16 with internal hex	Pack of 25
3.1	760841049.01-ET	Back tube for headrest, complete BH: 30	2 pcs./pack
3.1	760841049.02-ET	Back tube for headrest, complete BH: 35	2 pcs./pack

Backrest, STD with head rest for SW46-50

Pos	Item number	Description	Comment
3.1	760841049.03-ET	Back tube for headrest, complete BH: 40	2 pcs./pack
3.1	760841049.04-ET	Back tube for headrest, complete BH: 45	2 pcs./pack
3.1	760841049.11	Back tube for headrest, complete, for angle-adjustable backrest BH: 30	
3.1	760841049.12	Back tube for headrest, complete, for angle-adjustable backrest BH: 35	
3.1	760841049.13	Back tube for headrest, complete, for angle-adjustable backrest BH: 40	
3.1	760841049.14	Back tube for headrest, complete, for angle-adjustable backrest BH: 45	
3.1	760841045.03	Back tube for headrest, complete with 5° front-facing lumbar support BH: 40	
3.1	760841045.04	Back tube for headrest, complete with 5° front-facing lumbar support BH: 45	
3.1	760841046.02	Back tube for headrest, complete with 5° rear-facing lumbar support BH: 35	
3.1	760841046.03	Back tube for headrest, complete with 5° rear-facing lumbar support BH: 40	
3.1	760841046.04	Back tube for headrest, complete with 5° rear-facing lumbar support BH: 45	
3.1	760841045.13	Back tube for headrest, complete with 5° front-facing lumbar support, angle-adjustable backrest BH: 40	
3.1	760841045.14	Back tube for headrest, complete with 5° front-facing lumbar support, angle-adjustable backrest BH: 45	
3.1	760841046.12	Back tube for headrest, complete with 5° rear-facing lumbar support, angle-adjustable backrest BH: 35	
3.1	760841046.13	Back tube for headrest, complete with 5° rear-facing lumbar support, angle-adjustable backrest BH: 40	
3.1	760841046.14	Back tube for headrest, complete with 5° rear-facing lumbar support, angle-adjustable backrest BH: 45	
3.1	760841605.01	Back tube (drum brakes) for headrest, complete BH: 30	
3.1	760841605.02	Back tube (drum brakes) for headrest, complete BH: 35	
3.1	760841605.03	Back tube (drum brakes) for headrest, complete BH: 40	
3.1	760841605.04	Back tube (drum brakes) for headrest, complete BH: 45	
3.1	760841605.11	Back tube (drum brakes) for headrest, complete for angle-adjustable backrest BH: 30	
3.1	760841605.12	Back tube (drum brakes) for headrest, complete for angle-adjustable backrest BH: 35	
3.1	760841605.13	Back tube (drum brakes) for headrest, complete for angle-adjustable backrest BH: 40	
3.1	760841605.14	Back tube (drum brakes) for headrest, complete for angle-adjustable backrest BH: 45	
3.1	760841590.03	Back tube (drum brakes) for headrest, complete with 5° front-facing lumbar support BH: 40	
3.1	760841590.04	Back tube (drum brakes) for headrest, complete with 5° front-facing lumbar support BH: 45	
3.1	760841591.02	Back tube (drum brakes) for headrest, complete with 5° rear-facing lumbar support BH: 35	

Pos	Item number	Description	Comment
3.1	760841591.03	Back tube (drum brakes) for headrest, complete with 5° rear-facing lumbar support BH: 40	
3.1	760841591.04	Back tube (drum brakes) for headrest, complete with 5° rear-facing lumbar support BH: 45	
3.1	760841590.13	Back tube (drum brakes) for headrest, complete with 5° front-facing lumbar support, angle-adjustable backrest BH: 40	
3.1	760841590.14	Back tube (drum brakes) for headrest, complete with 5° front-facing lumbar support, angle-adjustable backrest BH: 45	
3.1	760841591.12	Back tube (drum brakes) for headrest, complete with 5° rear-facing lumbar support, angle-adjustable backrest BH: 35	
3.1	760841591.13	Back tube (drum brakes) for headrest, complete with 5° rear-facing lumbar support, angle-adjustable backrest 40	
3.1	760841591.14	Back tube (drum brakes) for headrest, complete with 5° rear-facing lumbar support, angle-adjustable backrest 45	
-	000050005	Superglue used with hand grips, 10 g	

Headrest with height adjustable push handles for SW46-50

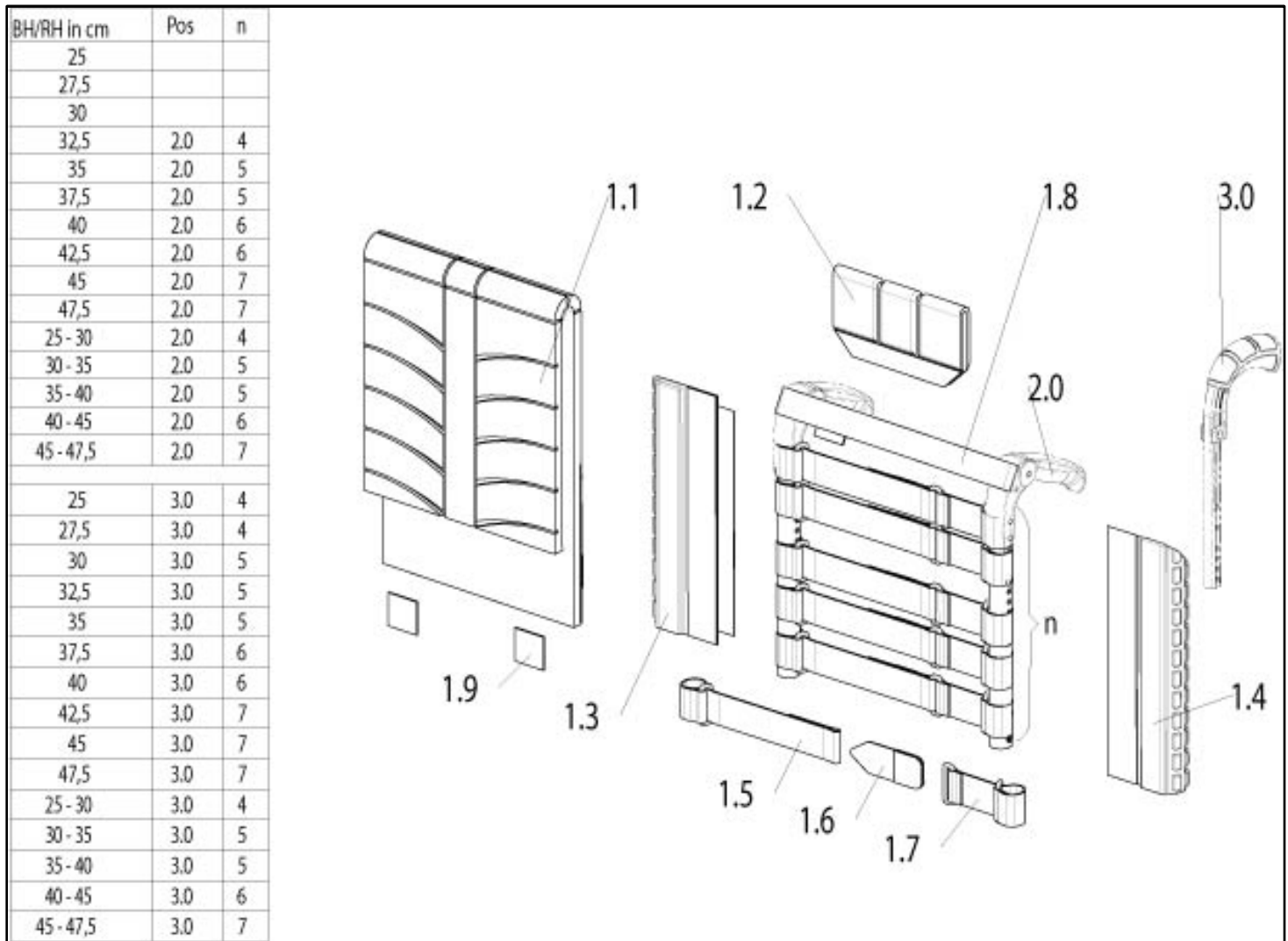


Pos	Item number	Description	Comment
1.1	84303012-001	Head rest padded - medium - (20 x 11 cm)	
1.1	84303012-002	Head rest padded - large - (23 x 11 cm)	
1.5	84303015	Mounting accessories, cpl.	
-	84303002-ET	Friction washer used with head rest hinge	10 pcs./pack, Note: use only with wheelchairs with headrest manufactured until week 35/2015
2.1-2.3	84310034	Head rest adapter with quick release lever	
2.2, 3.3	000233027	Rapid tensioner	
2.3	000102308.01-ET	Lens head screw M 6 x 12, Torx	25 pcs./pack
3.1-3.3	753841056	Height adj. push handle adapter with quick release lever cpl.	LH/RH useable
3.2	000102311.01-ET	Lens head screw M 6 x 27, Torx	25 St./Pkg.

Headrest with height adjustable push handles for SW46-50

Pos	Item number	Description	Comment
5.1-5.2	84310037-001	Backrest tube for backrest w/o push handle and backrest with height adj. push handle used with BH 25 cm	LH/RH useable
5.1-5.2	84310037-002	Backrest tube for backrest w/o push handle and backrest with height adj. push handle used with BH 30 cm	LH/RH useable
5.1-5.2	84310037-003	Backrest tube for backrest w/o push handle and backrest with height adj. push handle used with BH 35 cm	LH/RH useable
5.1-5.2	84310037-004	Backrest tube for backrest w/o push handle and backrest with height adj. push handle used with BH 40 cm	LH/RH useable
-	84310032-001	Backrest tube for angle adj. backrest w/o push handle and backrest with height adj. push handle used with BH 25 cm	LH/RH useable
-	84310032-002	Backrest tube for angle adj. backrest w/o push handle and backrest with height adj. push handle used with BH 30 cm	LH/RH useable
-	84310032-003	Backrest tube for angle adj. backrest w/o push handle and backrest with height adj. push handle used with BH 35 cm	LH/RH useable
-	84310032-004	Backrest tube for angle adj. backrest w/o push handle and backrest with height adj. push handle used with BH 40 cm	LH/RH useable
5.2	760841001-ET	End plug for back tube	10 pcs./pack
6.1	000841264-ET	Height-Adjustable push handle, BH 25 - 27.5 cm, black anodized	2 pcs./pack
6.1	000841265-ET	Height-adjustable push handle, BH 30 - 37.5 cm, black anodized	2 pcs./pack
6.1	000841266-ET	Height-adjustable push handle, BH 40 - 50 cm, black anodized	2 pcs./pack
-	71104051-001-ET	Handgrip used with drum brake push handle	10 pcs./pack
-	71104051-002-ET	Handgrip with glue	10 pcs./pack
2.1-2.3	000841517.01	Headrest bracket, used with metric tube, complete	used with height adj. push handles
5.1	000841516	Receiver tube for headrest	
4.2	066900-005-ET	Button head cap screw M6 x 25 - ISO 7380	25 pcs./pack
4.4	000133013-ET	Spring washer B6, DIN 127	25 pcs./pack

EXO Backrest upholstery, with long and fold down pushhandles



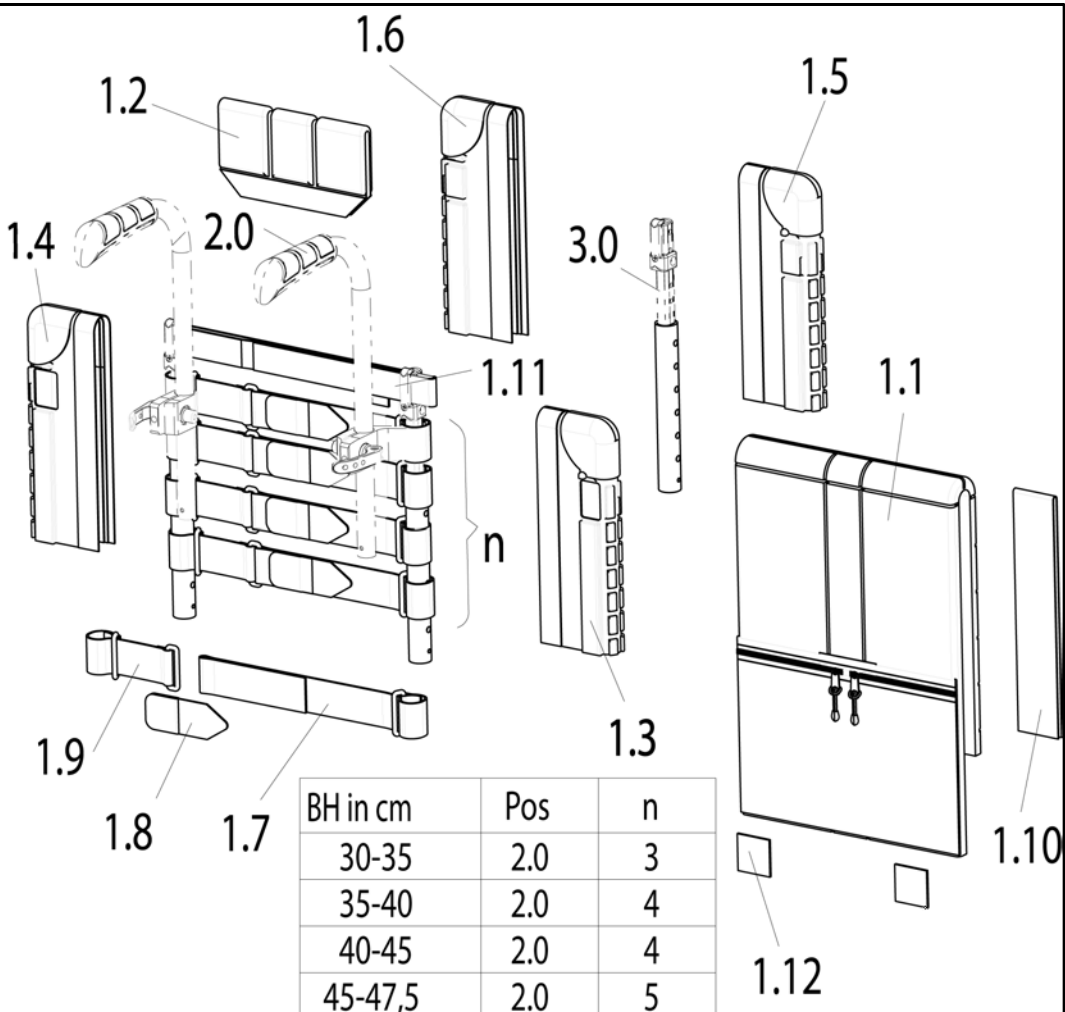
Pos	Item number	Description	Comment
1.1	06804022-001	EXO Backrest sling, synthetic fibre, padded, adjustable, 1 accessory bag, black, SW 20 - 42 with BH 20 - 40	Please order back belts, side and backrest pads separately
1.1	06804022-002	EXO Backrest sling, synthetic fibre, padded, adjustable, 1 accessory bag, black, SW 20 - 42 with BH 42,5 - 47,5 or SW 44 - 60 with BH 20 - 47,5	Please order back belts, side and backrest pads separately
1.1	06804023-001	EXO PRO Backrest sling, adjustable, breathable, 1 accessory bag, black, SW 20 - 42 with BH 20 - 40	Please order back belts, side and backrest pads separately
1.1	06804023-002	EXO PRO Backrest sling, adjustable, breathable, 1 accessory bag, black, SW 20 - 42 with BH 42,5 - 47,5 or SW 44 - 60 with BH 20 - 47,5	Please order back belts, side and backrest pads separately

EXO Backrest upholstery, with long and fold down pushhandles

Pos	Item number	Description	Comment
1.2	06804070-000	Back rest pad	
1.3-1.4	06804010-100	Side pad - used with long, short and fold down pushhandles	2 pcs.
1.5-1.7	06804031-001	Back belt cpl. SW22-42 (quantity needed see alongside chart)	1 pc
1.5-1.7	06804031-002	Back belt cpl. SW44-48 (quantity needed see alongside chart)	1 pc
1.5-1.7	06804031-003	Back belt cpl. SW50-60 (quantity needed see alongside chart)	1 pc
1.8	066877	Top backrest belt	
1.9	000069323-ET	Hook strap	2 pcs.
-	000849042	Shopping net	
1.10	06804110	Hook strap for mounting new upholstery on existing back belts	2m

EXO Backrest upholstery, with height adjustable pushhandles or without pushhandles

BH in cm	Pos	n
25	3.0	3
27,5	3.0	3
30	3.0	4
32,5	3.0	4
35	3.0	5
37,5	3.0	5
40	3.0	5
42,5	3.0	6
45	3.0	6
47,5	3.0	6
25-30	3.0	3
30-35	3.0	4
35-40	3.0	5
40-45	3.0	5
45-47,5	3.0	6



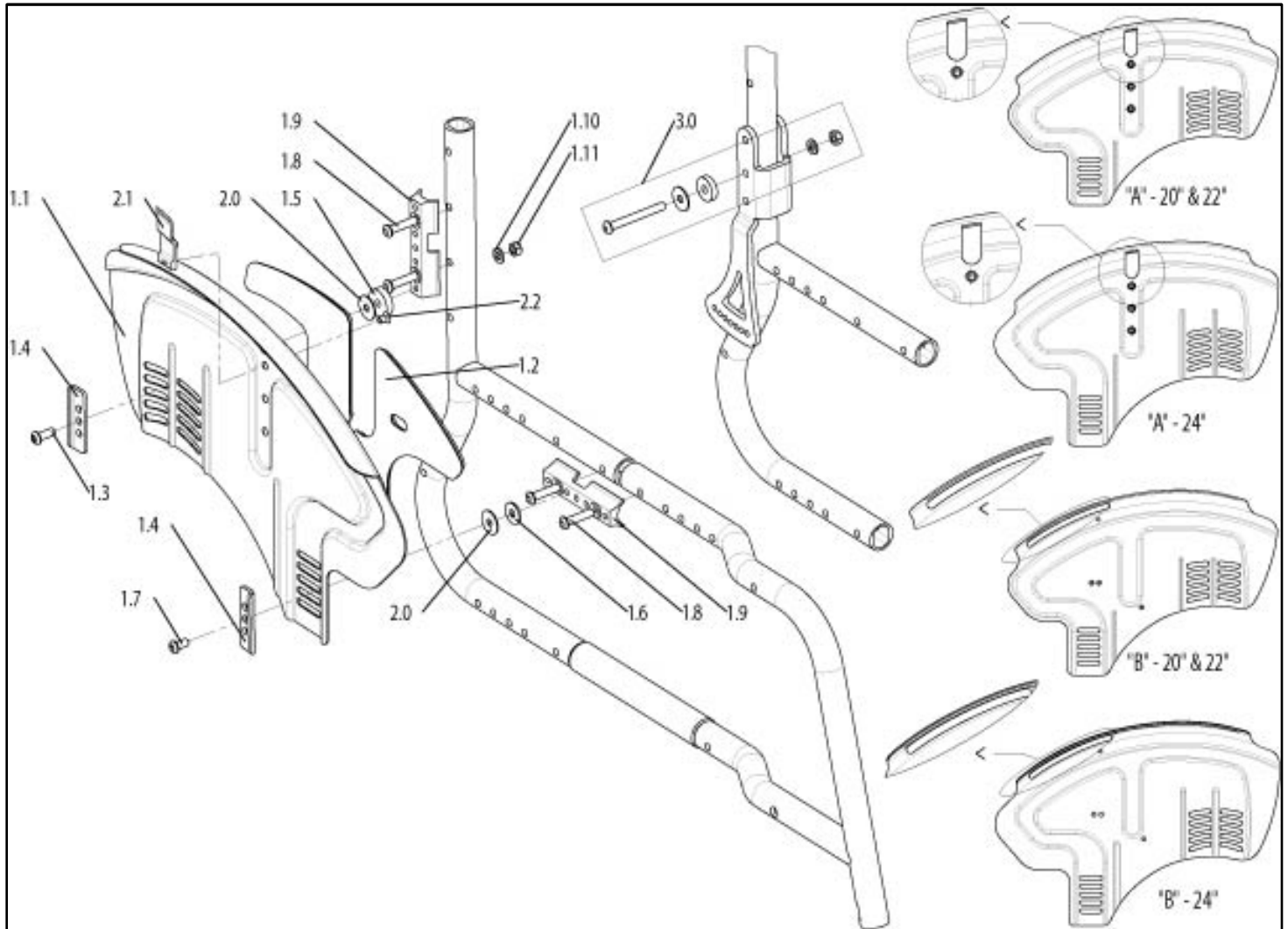
BH in cm	Pos	n
30-35	2.0	3
35-40	2.0	4
40-45	2.0	4
45-47,5	2.0	5

Pos	Item number	Description	Comment
1.1	06804022-001	EXO Backrest sling, synthetic fibre, padded, adjustable, 1 accessory bag, black, SW 20 - 42 with BH 20 - 40	Please order back belts, side and backrest pads separately
1.1	06804022-002	EXO Backrest sling, synthetic fibre, padded, adjustable, 1 accessory bag, black, SW 20 - 42 with BH 42,5 - 47,5 or SW 44 - 60 with BH 20 - 47,5	Please order back belts, side and backrest pads separately
1.1	06804023-001	EXO PRO Backrest sling, adjustable, breathable, 1 accessory bag, black, SW 20 - 42 with BH 20 - 40	Please order back belts, side and backrest pads separately
1.1	06804023-002	EXO PRO Backrest sling, adjustable, breathable, 1 accessory bag, black, SW 20 - 42 with BH 42,5 - 47,5 or SW 44 - 60 with BH 20 - 47,5	Please order back belts, side and backrest pads separately

EXO Backrest upholstery, with height adjustable pushhandles or without pushhandles

Pos	Item number	Description	Comment
1.2	06804070-000	Back rest pad	
1.3- 1.4	06804075- 020	Side pad - used with height adjustable pushhandles	pair
1.5- 1.6	06804075- 010	Side pad - used without pushhandles	2 pcs.
1.7-1.9	06804031-001	Back belt cpl. SW22-42 (quantity needed see alongside chart)	1 pc
1.7-1.9	06804031-002	Back belt cpl. SW44-48 (quantity needed see alongside chart)	1 pc
1.7-1.9	06804031-003	Back belt cpl. SW50-60 (quantity needed see alongside chart)	1 pc
1.10	06804110	Hook strap for mounting new upholstery on existing back belts	2m
1.11	066877	Top backrest belt	
1.12	000069323-ET	Hook strap	2 pcs.
-	000849042	Shopping net	

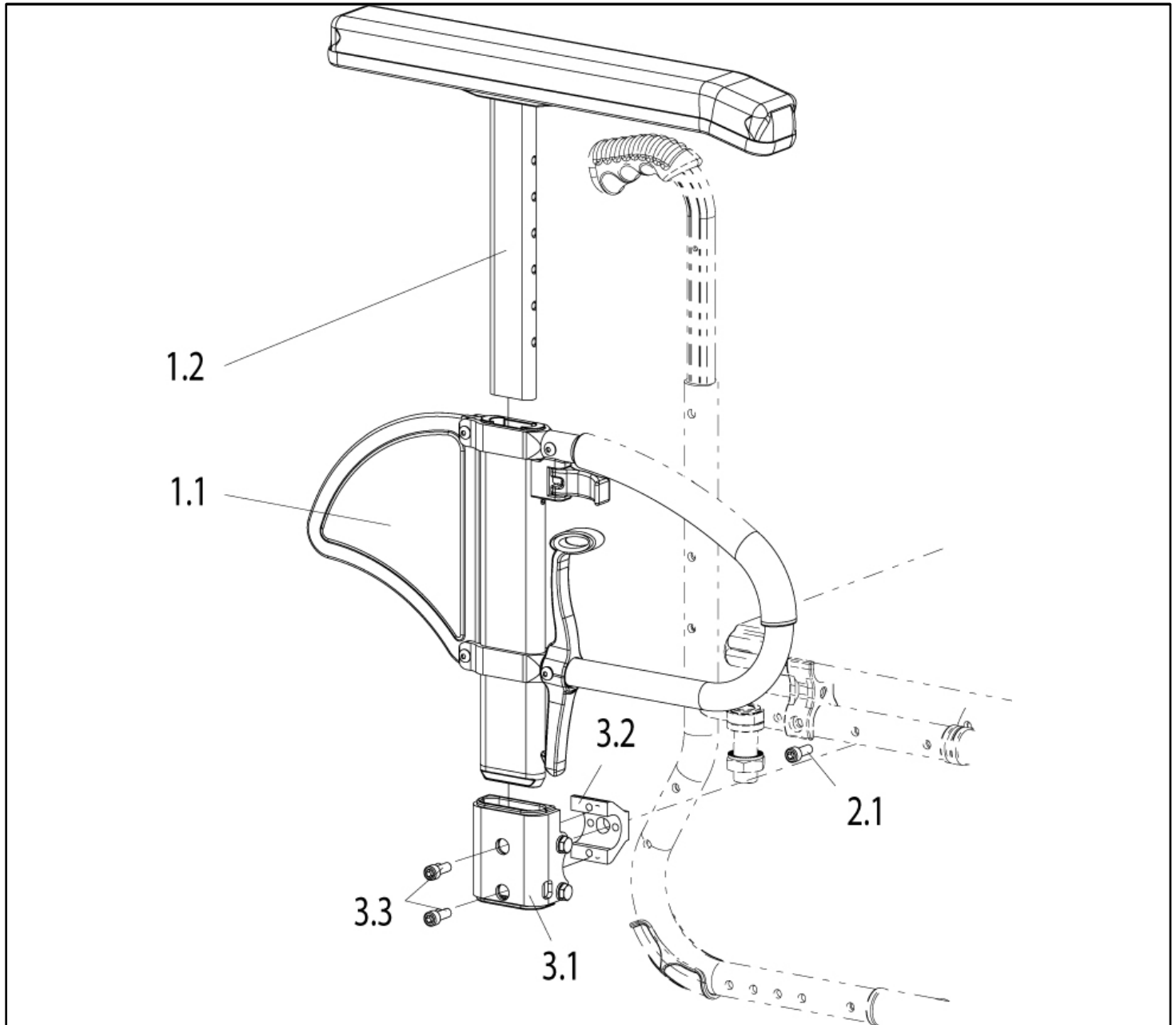
Sideguard, aluminium with fender



Pos	Item number	Description	Comment
-	84310039-000	Fender sideguard for 20 inch / 22 inch with cold protection (version - A -) cpl.	Pair
-	84310039-002	Fender sideguard for 20 inch / 22 inch with cold protection (Version - A -) cpl.	RH
-	84310039-001	Fender sideguard for 20 inch / 22 inch with cold protection (Version - A -) cpl.	LH
-	84310040-000	Fender sideguard for 20 inch / 22 inch with cold protection (Version - B - used with Safari brake) cpl.	Pair
-	84310040-002	Fender sideguard for 20 inch / 22 inch with cold protection (Version - B - used with Safari brake) cpl.	RH
-	84310040-001	Fender sideguard for 20 inch / 22 inch with cold protection (Version - B - used with Safari brake) cpl.	LH
-	84310041-000	Fender sideguard for 24 inch with cold protection (Version - A -) cpl.	Pair
1.1-1.11	84310041-002	Fender sideguard for 24 inch with cold protection (Version - A -) cpl.	RH
-	84310041-001	Fender sideguard for 24 inch with cold protection (Version - A -) cpl.	LH

Pos	Item number	Description	Comment
-	84310042-000	Fender sideguard for 24 inch with cold protection (Version - B - used with Safari brake) cpl.	Pair
-	84310042-002	Fender sideguard for 24 inch with could protection (Version - B - used with Safari brake) cpl.	RH
-	84310042-001	Fender sideguard for 24 inch with could protection (Version - B - used with Safari brake) cpl.	LH
1.3-1.11	84310066	Fitting accessories for sideguard	Pair
1.2	062440	Cold protection used with sideguard version -A- and -B-	Pair
1.3	000102309.01-ET	Button head cap screw M 6 x 50 Torx drive	25 pcs./pack
1.5	622842003-ET	Washer 23 x 6.2 x 6 POM, black	4 pcs./pack
1.6	066947-001-ET	Washer M6 DIN9021	10 pcs./pack
1.7	000102308.01-ET	Button head screw M 6 x 12 Torx drive	25 pcs./pack
1.10	000130007-ET	Washer A 6,4 - DIN 125	25 pcs./pack
1.11	000128007-ET	Hex nut M 6 DIN 985	25 pcs./pack
2.1-2.2	062441	Cover for side guard without arm pad	Pair
2.2	000104044-ET	Countersunk head screw M 5 x 8 DIN 965	25 pcs./pack
1.8	000102311.01-ET	Lense screw M6x27, Torx	
1.9	072401	Bracket for aluminium sideguard	
1.2-2.0	84604001	Mounting Kit kpl. for sideguard (1 side)	
2.0	051469-ET	PTFE Washer D=20	10 pcs./pack
3.0	07204006	Mounting kit used with angle adj. backrest and Safari brake	

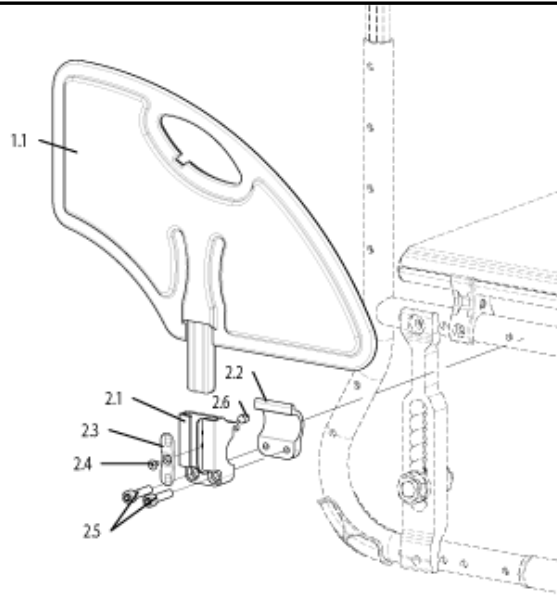
Single Post Sideguard with Armpad



Pos	Item number	Description	Comment
1.1-3.3	072447-001	Single Post Sideguard with Armpad large (36 cm) and Fixation Bracket cpl.	Pair
1.1-3.3	072448-001	Single Post Sideguard with Armpad large (36 cm) and Fixation Bracket cpl.	can be used right & left
1.1-3.3	072447-002	Single Post Sideguard with Armpad short (25 cm) and Fixation Bracket cpl.	Pair
1.1-3.3	072448-002	Single Post Sideguard with Armpad short (25 cm) and Fixation Bracket cpl.	can be used right & left
1.2	072460-001	Armpad short (25 cm) cpl.	can be used right & left

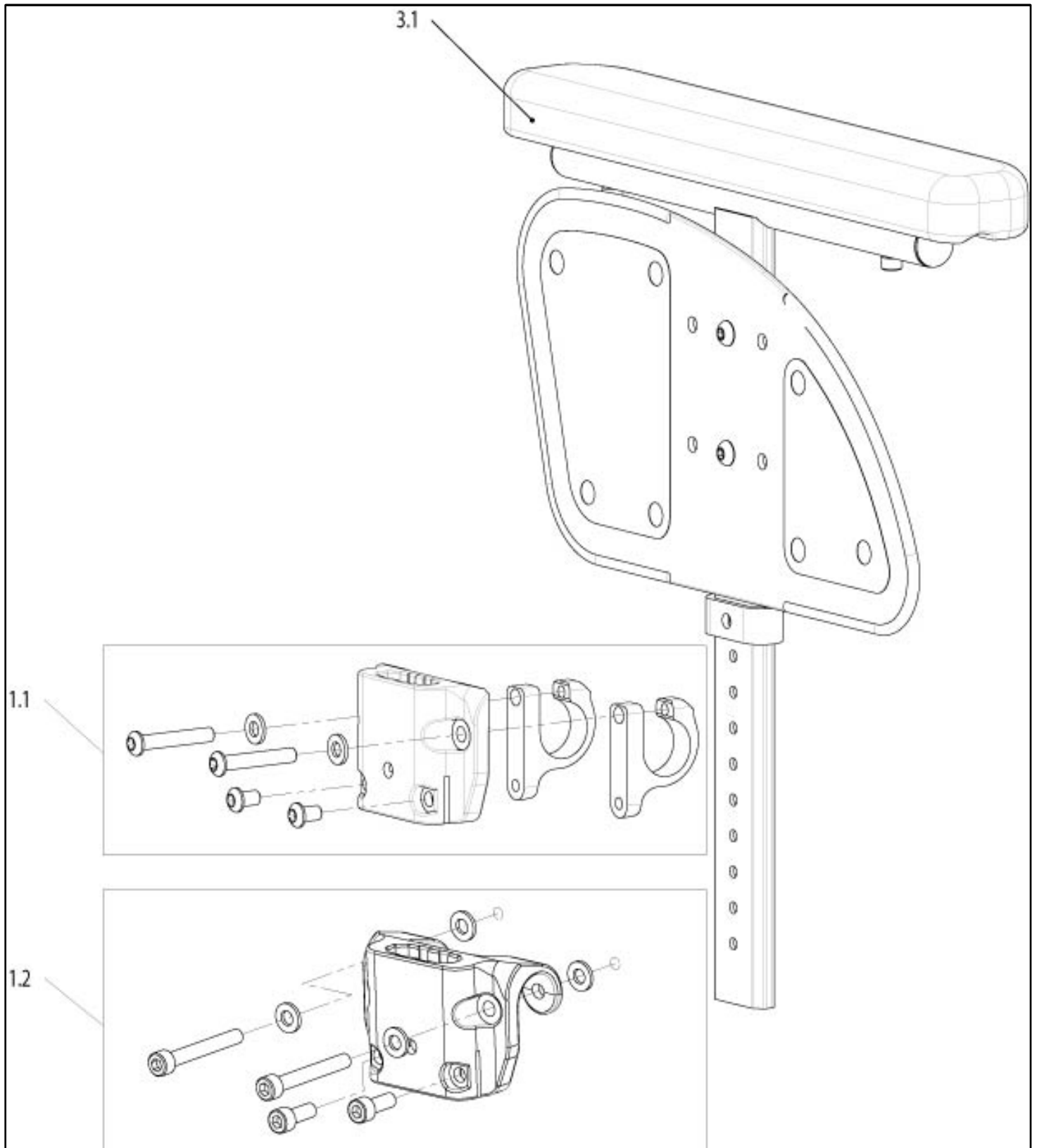
Pos	Item number	Description	Comment
1.2	072460-002	Armpad large (36 cm} cpl.	can be used right & left
2.1-3.3	072450	Fixation Bracket cpl.	can be used right & left
3.2	760861002	Bracket for brake	
3.3	058900-003-ET	Socket head screw M 6 x 16 - DIN 912	Pack of 25
/	000102231-ET	Set screw M 6 x 10 DIN 551	25 Pcs.

Plastic Sideguard, detachable



Pos	Item number	Description	Comment
1.1-2.6	072444	Plastic Sideguard regular, detachable with Fixation Bracket cpl.	Pair
1.1-2.6	072445	Plastic Sideguard regular, detachable with Fixation Bracket cpl.	can be used right & left
1.1	104164-001	Quickie Sidegurad plastic, removeable	can be used right & left
2.1-2.6	072446	Fixation Bracket for Plastic Sideguard cpl.	
2.5	058900-005-ET	Socket button head screw M 6 x 25 - DIN 912	Pack of 25

Single post tool height adjustable armrest

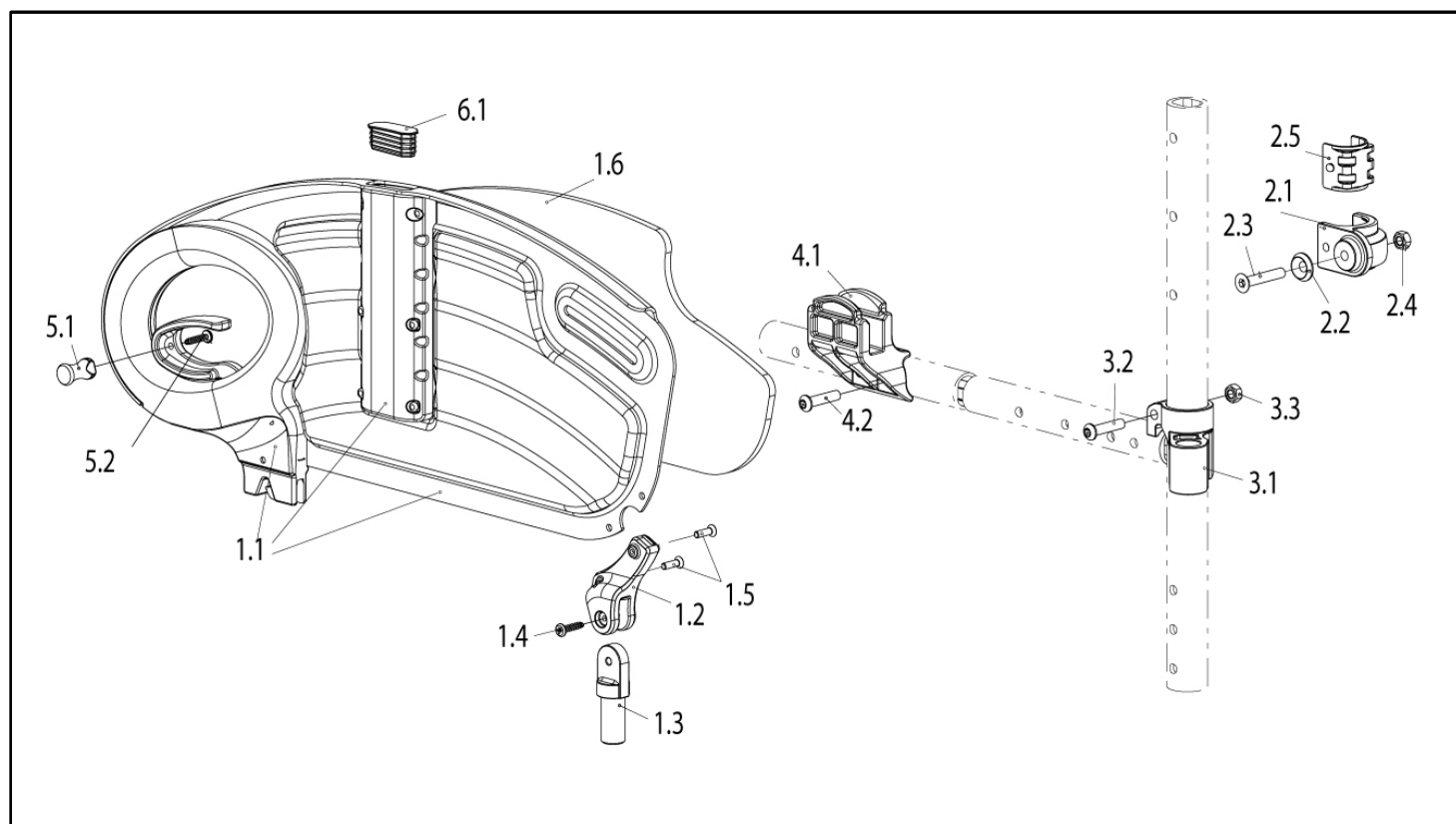


Pos	Item number	Description	Comment
3.1	067870-001	Tool height adjustable armrest	left

Single post tool height adjustable armrest

Pos	Item number	Description	Comment
3.1	067870-002	Tool height adjustable armrest	right
1.1	84606007	Bracket for Sideguard tool height adjustable cpl.	used with abuction frame at SD32-42 cm
1.2	84606008	Bracket for Sideguard tool height adjustable cpl.	used with FF105/95°, FF95° with Inset, SA, FF105° and abuction at SD44-46 cm
-	067925	Armpad cpl. with mounting accessories	LH/RH usable

Desk sideguard

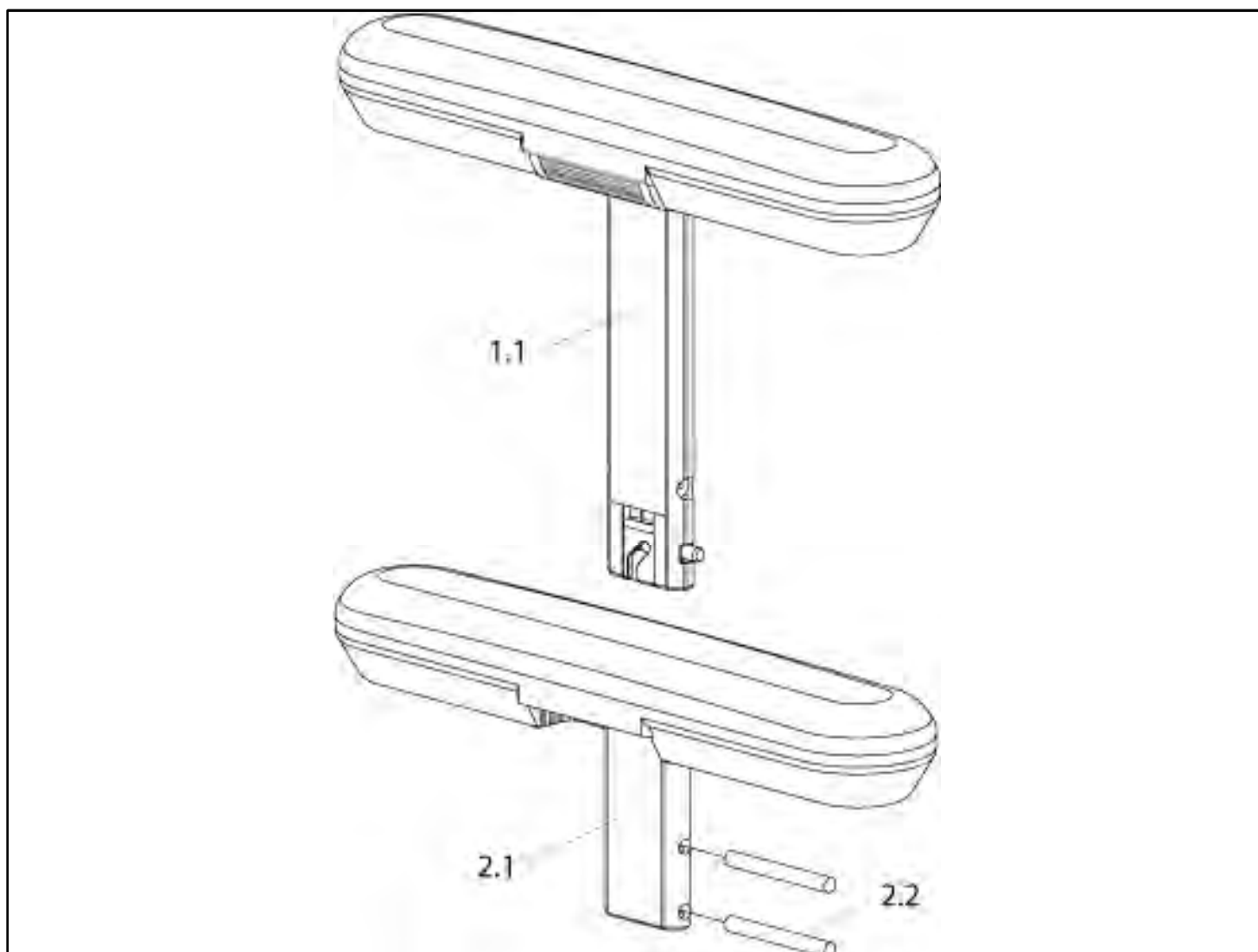


Pos	Item number	Description	Comment
1.1-4.1	71104033-001	Desk sideguard complete (standard and angle adjustable backrest)	LH
1.1-4.1	71104033-002	Desk sideguard complete (standard and angle adjustable backrest)	RH
1.1-4.1	71104033-003	Desk sideguard complete (standard and angle adjustable backrest)	pair
1.1-1.6	71104043-001	Desk sideguard plate with hinge (w/o cold protection)	LH
1.1-1.6	71104043-002	Desk sideguard plate with hinge (w/o cold protection)	RH
1.2-1.5	71104035-001	Rear hinge complete	LH
1.2-1.5	71104035-002	Rear hinge complete	RH
1.5	000104139-ET	Countersunk head screw for plastic - D4x16 - A2	Pack of 25
-	71104032-001	Cold protection	RH
1.6	71104032-002	Cold protection	LH
2.1-2.5	71104036-002	Saddle used with desk side guard, rear, frame tube diameter d = 23 mm (standard and angle adj. backrest)	
2.2	000138017-ET	Countersunk washer for M 6	Pack of 25
2.3	000104073-ET	Countersunk head screw DIN 7991 - M6 x 35 - A2-70	Pack of 25
2.4	000128007-ET	Hex nut M 6, DIN 985	Pack of 25
3.1-3.3	760742054	Hinge receiver back tube cpl. (used with tube diameter d = 23 mm)	LH
3.1-3.3	760842054	Hinge receiver back tube cpl. (used with tube diameter d = 23 mm)	RH
3.2	000102311.01-ET	Lens head screw M 6 x 27 with Torx drive	Pack of 25
3.3	000128007-ET	Hex nut M 6, DIN 985	Pack of 25

Desk sideguard

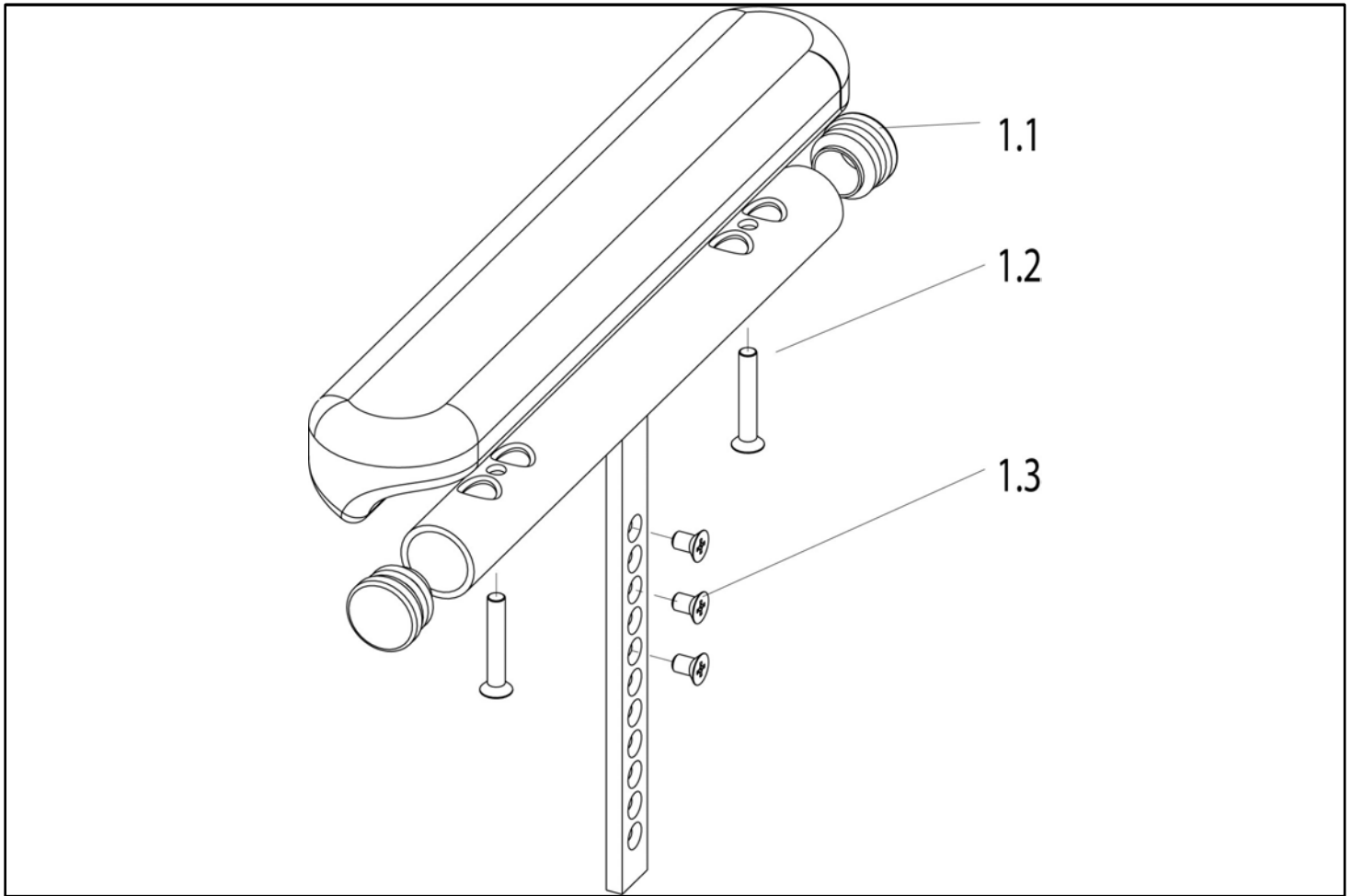
Pos	Item number	Description	Comment
4.1-4.2	71104038-001	Side guard receiver, front cpl.	LH
4.1-4.2	71104038-002	Side guard receiver, front cpl.	RH
4.1	000102311.01-ET	Lens head screw M 6x27 with Torx drive	Pack of 25
5.1-5.2	054493-010	Tetra handle bar used with desk side guard	
6.1	054430	Cap used with desk side guard	
-	000102223	Set screw M6x5 - Poly	10 pcs./pack

Armpad for Desk Sideguard



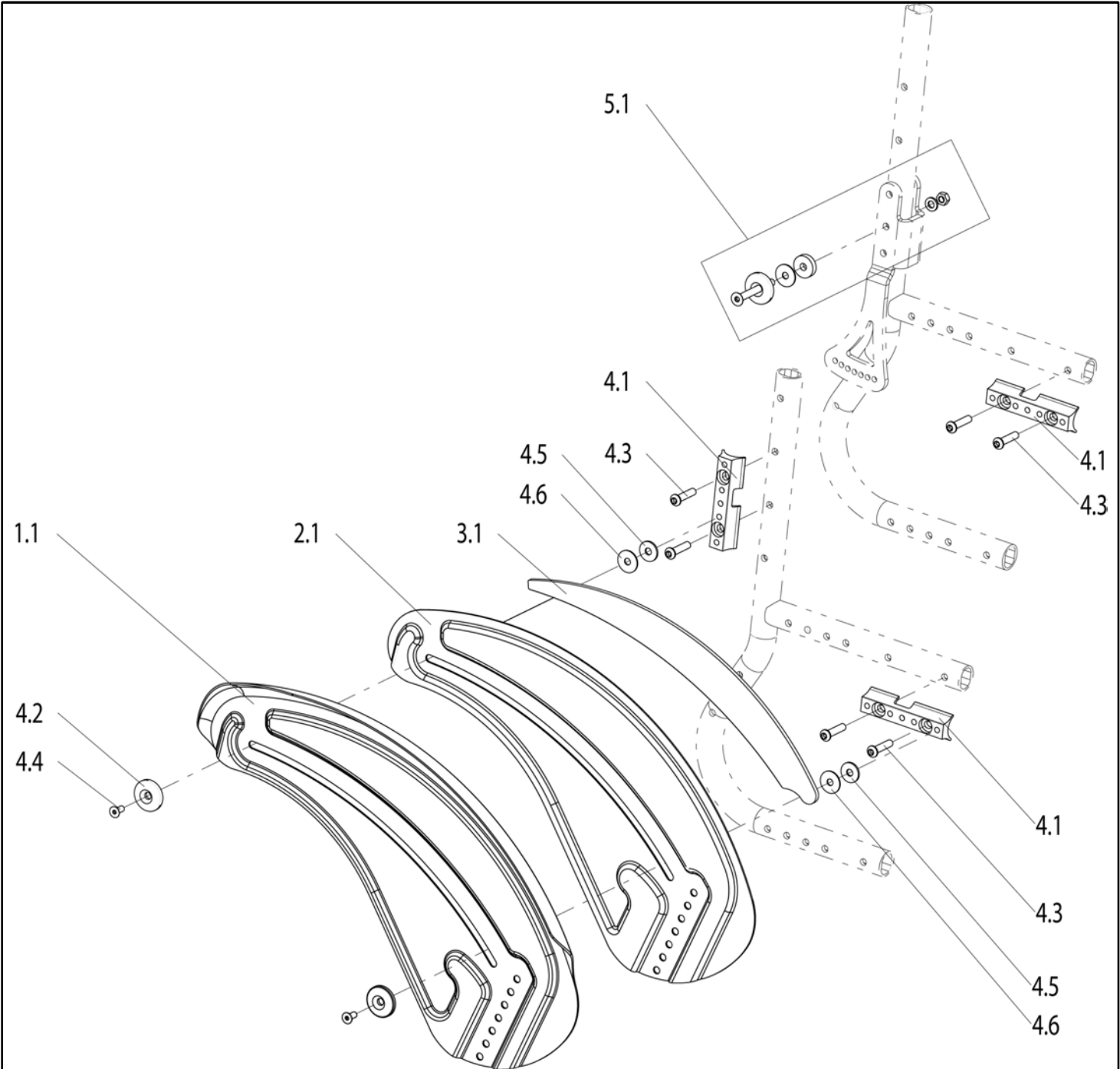
Pos	Item number	Description	Comment
1.1	054449-001	Short armpad, height-adjustable, complete	Pair
1.1	054449	Short armpad, height-adjustable, complete	can be used right and left
1.1	054449-002	Long armpad, height-adjustable, complete	Pair
1.1	054449-003	Long armpad, height-adjustable, complete	right
1.1	054449-004	Long armpad, height-adjustable, complete	left
2.1-2.2	054428-001	Short armpad, fixed, complete	Pair
2.1-2.2	054428-007	Short armpad, fixed, complete	can be used right and left
2.1-2.2	054428-002	Long armpad, fixed, complete	Pair
2.1-2.2	054428-003	Long armpad, fixed, complete	right
2.1-2.2	054428-005	Long armpad, fixed, complete	left
2.2	000156014-ET	split pin 5x45	10 Pce/Pg.

Armrest height adjustable, left/right



Pos	Item number	Description	Comment
1.1-2.1	840842055	Armrest - height-adjustable, complete. Is screwed onto the sideguard	Pc for use on left and right side
1.2, 2.1	840842056	Arm padding, short, for aluminium sideguard, complete. Is screwed onto the sideguard.	
1.1	000282061-ET	Black laminated cap	Pack of 10
1.2	000104082-ET	Lens head screw M 5 x 30 DIN 966	Pack of 10
1.3	000104044-ET	Screw M 5 x 8 DIN 965	Pack of 25

Carbon Sideguard with Fender & Aluminium Sideguard without Fender

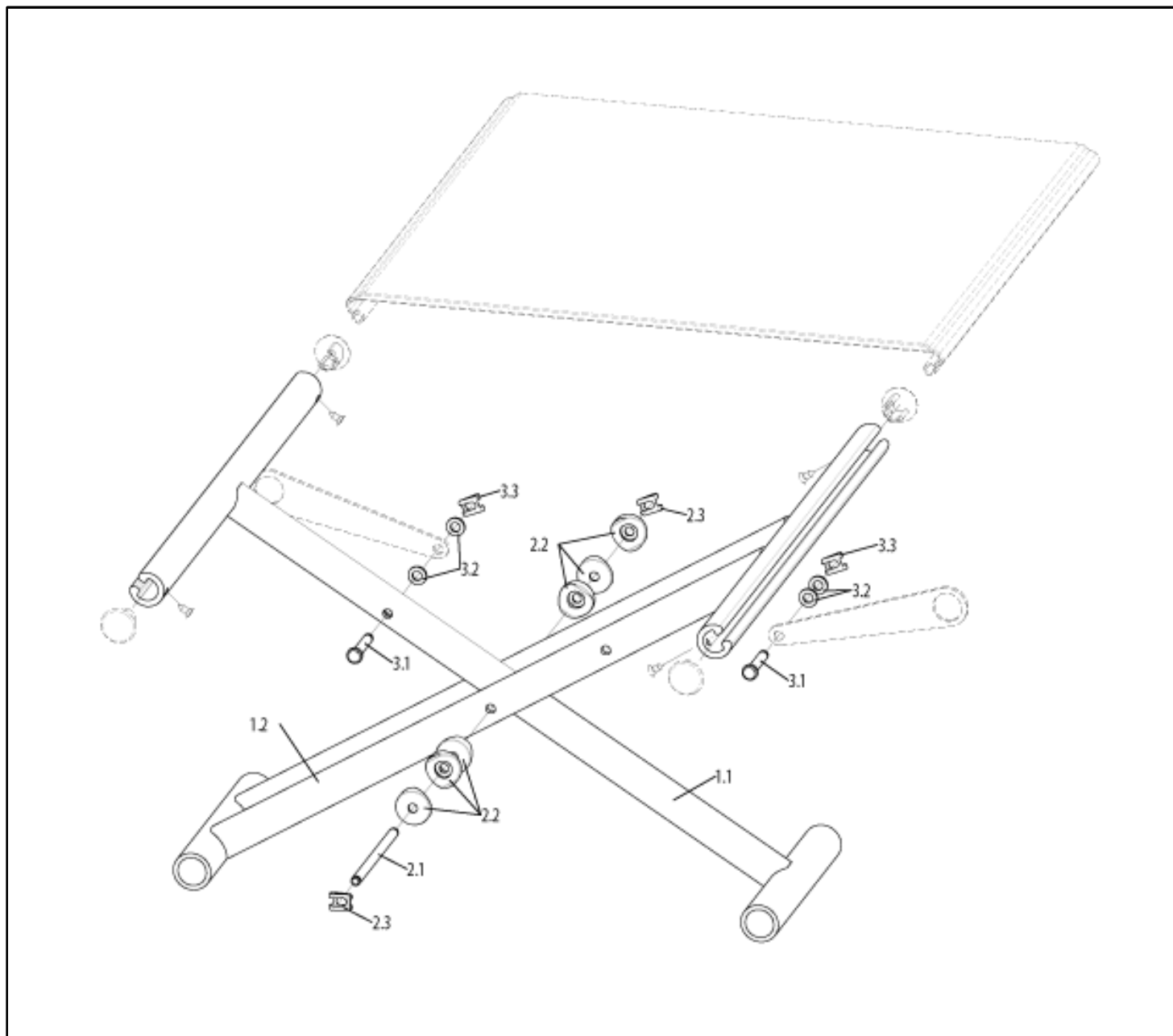


Pos	Item number	Description	Comment
1.1,3.1,4.1,4.4	71104044-001	Carbon Sideguard with Fender and cold Protection complete	Pair
1.1,3.1,4.4	71104044-002	Carbon Sideguard with Fender and cold Protection complete	left
1.1,3.1,4.1,4.4	71104044-003	Carbon Sideguard with Fender and cold Protection complete	right
1.1	066943-001	Carbon Sideguard powder coated	left
1.1	066943-002	Carbon Sideguard powder coated	right

Carbon Sideguard with Fender & Aluminium Sideguard without Fender

Pos	Item number	Description	Comment
2.1,3.1,4.1,4.4	072440	Aluminum Sideguard with cold Protection complete	Pair
2.1,3.1,4.4	072441	Aluminum Sideguard with cold Protection complete	left
2.1,3.1,4.1,4.4	072442	Aluminum Sideguard with cold Protection complete	right
2.1	072463	Aluminium Sideguard powder coated	left
2.1	072464	Aluminium Sideguard powder coated	right
3.1	066435-001	cold protection	left
3.1	066435-002	cold protection	right
4.1-4.4	072443	Fitting accessories for Sideguard	
4.2	066458-ET	Rosette for sideguard	10 pcs./pack
4.3	000102311.01-ET	Oval-head screw M 6 x 27 with Torx drive	25 pcs./pack
4.4	066902-001-ET	Counter sunk screw M 6 x 16 - DIN 7991	25 pcs./pack
5.1	07204005	Mounting Kit for Sideguard Mounting low (alu and carbon sideguard) with angle adjustable back	

Cross Brace



Pos	Item number	Description	Comment
1.1-3.3	072304-001	X-Brace complete, black SW36 / SD36-38	
1.1-3.3	072304-002	X-Brace complete, black SW36 / SD40	
1.1-3.3	072304-003	X-Brace complete, black SW36 / SD42	
1.1-3.3	072304-004	X-Brace complete, black SW36 / SD44	
1.1-3.3	072304-005	X-Brace complete, black SW36 / SD46	
1.1-3.3	072304-006	X-Brace complete, black SW36 / SD48	
1.1-3.3	072304-007	X-Brace complete, black SW36 / SD50	
1.1-3.3	072304-008	X-Brace complete, black SW38 / SD36-38	
1.1-3.3	072304-009	X-Brace complete, black SW38 / SD40	

Cross Brace

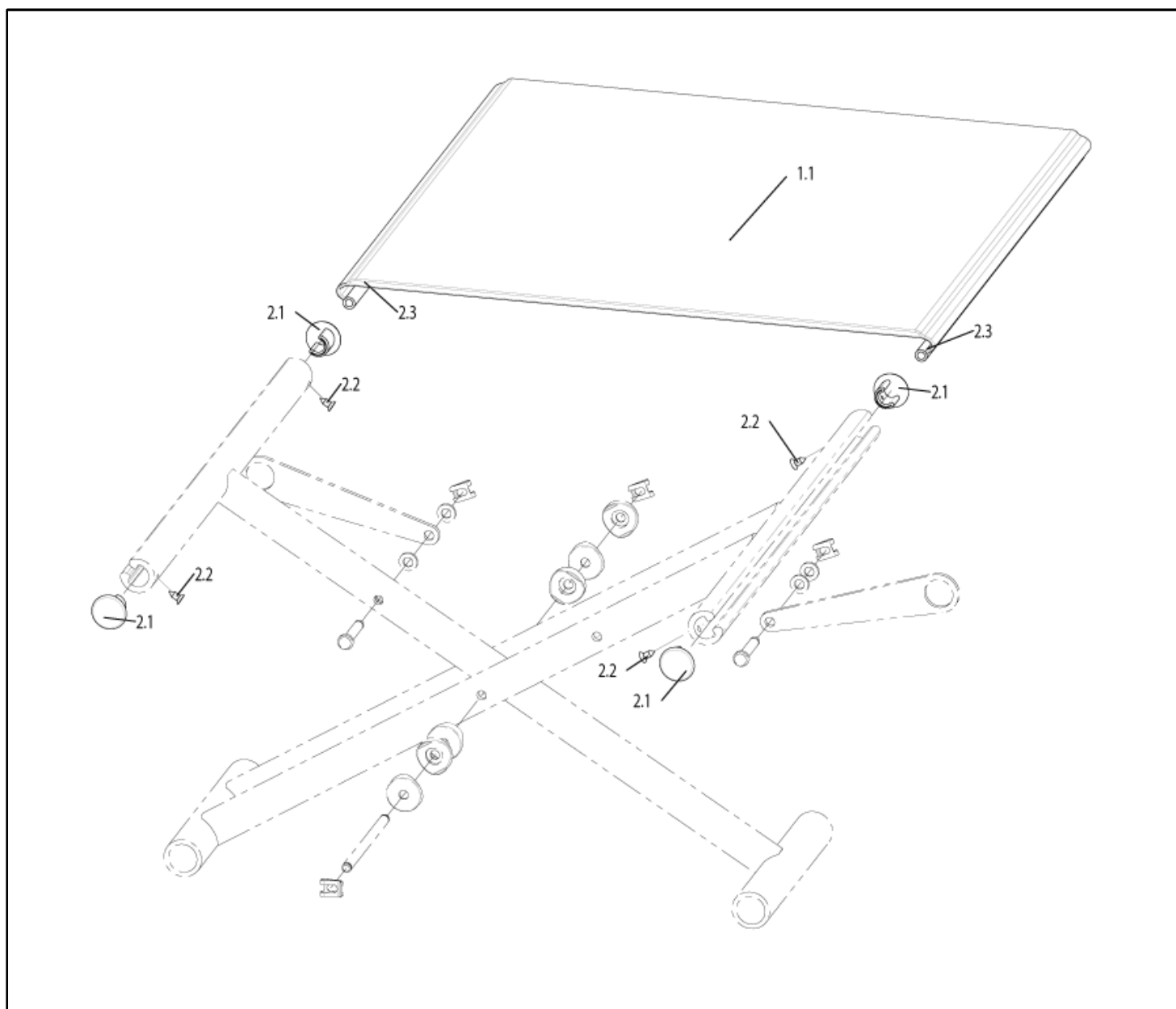
Pos	Item number	Description	Comment
1.1-3.3	072304-010	X-Brace complete, black SW38 / SD42	
1.1-3.3	072304-011	X-Brace complete, black SW38 / SD44	
1.1-3.3	072304-012	X-Brace complete, black SW38 / SD46	
1.1-3.3	072304-013	X-Brace complete, black SW38 / SD48	
1.1-3.3	072304-014	X-Brace complete, black SW38 / SD50	
1.1-3.3	072304-015	X-Brace complete, black SW40 / SD36-38	
1.1-3.3	072304-016	X-Brace complete, black SW40 / SD40	
1.1-3.3	072304-017	X-Brace complete, black SW40 / SD42	
1.1-3.3	072304-018	X-Brace complete, black SW40 / SD44	
1.1-3.3	072304-019	X-Brace complete, black SW40 / SD46	
1.1-3.3	072304-020	X-Brace complete, black SW40 / SD48	
1.1-3.3	072304-021	X-Brace complete, black SW40 / SD50	
1.1-3.3	072304-022	X-Brace complete, black SW42 / SD36-38	
1.1-3.3	072304-023	X-Brace complete, black SW42 / SD40	
1.1-3.3	072304-024	X-Brace complete, black SW42 / SD42	
1.1-3.3	072304-025	X-Brace complete, black SW42 / SD44	
1.1-3.3	072304-026	X-Brace complete, black SW42 / SD46	
1.1-3.3	072304-027	X-Brace complete, black SW42 / SD48	
1.1-3.3	072304-028	X-Brace complete, black SW42 / SD50	
1.1-3.3	072304-029	X-Brace complete, black SW44 / SD36-38	
1.1-3.3	072304-030	X-Brace complete, black SW44 / SD40	
1.1-3.3	072304-031	X-Brace complete, black SW44 / SD42	
1.1-3.3	072304-032	X-Brace complete, black SW44 / SD44	
1.1-3.3	072304-033	X-Brace complete, black SW44 / SD46	
1.1-3.3	072304-034	X-Brace complete, black SW44 / SD48	
1.1-3.3	072304-035	X-Brace complete, black SW44 / SD50	
1.1-3.3	072304-036	X-Brace complete, black SW46 / SD36-38	
1.1-3.3	072304-037	X-Brace complete, black SW46 / SD40	
1.1-3.3	072304-038	X-Brace complete, black SW46 / SD42	
1.1-3.3	072304-039	X-Brace complete, black SW46 / SD44	
1.1-3.3	072304-040	X-Brace complete, black SW46 / SD46	
1.1-3.3	072304-041	X-Brace complete, black SW46 / SD48	
1.1-3.3	072304-042	X-Brace complete, black SW46 / SD50	
1.1-3.3	072304-043	X-Brace complete, black SW48 / SD36-38	
1.1-3.3	072304-044	X-Brace complete, black SW48 / SD40	
1.1-3.3	072304-045	X-Brace complete, black SW48 / SD42	
1.1-3.3	072304-046	X-Brace complete, black SW48 / SD44	
1.1-3.3	072304-047	X-Brace complete, black SW48 / SD46	
1.1-3.3	072304-048	X-Brace complete, black SW48 / SD48	

Pos	Item number	Description	Comment
1.1-3.3	072304-049	X-Brace complete, black SW48 / SD50	
1.1-3.3	072304-050	X-Brace complete, black SW50 / SD36-38	
1.1-3.3	072304-051	X-Brace complete, black SW50 / SD40	
1.1-3.3	072304-052	X-Brace complete, black SW50 / SD42	
1.1-3.3	072304-053	X-Brace complete, black SW50 / SD44	
1.1-3.3	072304-054	X-Brace complete, black SW50 / SD46	
1.1-3.3	072304-055	X-Brace complete, black SW50 / SD48	
1.1-3.3	072304-056	X-Brace complete, black SW50 / SD50	
2.1-2.3	84502017	Support with fitting, X-Brace center Hole	
2.2	84502001-ET	Half shell for cross-brace - black POM	
2.3	000185002-ET	SL safety nut, black	Pack of 25
3.1-3.3	072305	Support with fitting, X-Brace outer Hole	
3.2	000130106-ET	Washer A 6.4 DIN 125 PA-clear	Pack of 10
3.3	000185002-ET	SL safety nut, black	Pack of 25
1.1-3.3	072304-057	X-Brace complete, black SW34 /SD 50	
1.1-3.3	072304-058	X-Brace complete, black SW34 /SD 48	
1.1-3.3	072304-059	X-Brace complete, black SW34 /SD 46	
1.1-3.3	072304-060	X-Brace complete, black SW34 /SD 44	
1.1-3.3	072304-061	X-Brace complete, black SW34 /SD 42	
1.1-3.3	072304-062	X-Brace complete, black SW34 /SD 40	
1.1-3.3	072304-063	X-Brace complete, black SW34 /SD 36/38	
1.1-3.3	072304-064	X-Brace complete, black SW28 /SD 50	
1.1-3.3	072304-065	X-Brace complete, black SW30 /SD 50	
1.1-3.3	072304-066	X-Brace complete, black SW32 /SD 50	
1.1-3.3	072304-067	X-Brace complete, black SW28 /SD 48	
1.1-3.3	072304-068	X-Brace complete, black SW30 /SD 48	
1.1-3.3	072304-069	X-Brace complete, black SW32 /SD 48	
1.1-3.3	072304-070	X-Brace complete, black SW28 /SD 46	
1.1-3.3	072304-071	X-Brace complete, black SW30 /SD 46	
1.1-3.3	072304-072	X-Brace complete, black SW32 /SD 46	
1.1-3.3	072304-073	X-Brace complete, black SW28 /SD 44	
1.1-3.3	072304-074	X-Brace complete, black SW30 /SD 44	
1.1-3.3	072304-075	X-Brace complete, black SW32 /SD 44	
1.1-3.3	072304-076	X-Brace complete, black SW28 /SD 42	
1.1-3.3	072304-077	X-Brace complete, black SW30 /SD 42	
1.1-3.3	072304-078	X-Brace complete, black SW32 /SD 42	
1.1-3.3	072304-079	X-Brace complete, black SW28 /SD 40	
1.1-3.3	072304-080	X-Brace complete, black SW30 /SD 40	
1.1-3.3	072304-081	X-Brace complete, black SW32 /SD 40	

Cross Brace

Pos	Item number	Description	Comment
1.1-3.3	072304-082	X-Brace complete, black SW28 /SD 36/38	
1.1-3.3	072304-083	X-Brace complete, black SW30 /SD 36/38	
1.1-3.3	072304-084	X-Brace complete, black SW32 /SD 36/38	
1.1-3.3	072304-085	X-Brace complete, black SW28 /SD 34	
1.1-3.3	072304-086	X-Brace complete, black SW30 /SD 34	
1.1-3.3	072304-087	X-Brace complete, black SW32 /SD 34	
1.1-3.3	072304-088	X-Brace complete, black SW34 //SD 34	
1.1-3.3	072304-089	X-Brace complete, black SW36/ SD 34	
1.1-3.3	072304-090	X-Brace complete, black SW38/ SD 34	
1.1-3.3	072304-091	X-Brace complete, black SW40/ SD 34	
1.1-3.3	072304-092	X-Brace complete, black SW42/ SD 34	
1.1-3.3	072304-093	X-Brace complete, black SW44/ SD 34	
1.1-3.3	072304-094	X-Brace complete, black SW46/ SD 34	
1.1-3.3	072304-095	X-Brace complete, black SW48/ SD 34	
1.1-3.3	072304-096	X-Brace complete, black SW50/ SD 34	
1.1-3.3	072304-097	X-Brace complete, black SW28 /SD 32	
1.1-3.3	072304-098	X-Brace complete, black SW30 /SD 32	
1.1-3.3	072304-099	X-Brace complete, black SW32 /SD 32	
1.1-3.3	072304-100	X-Brace complete, black SW34 /SD 32	
1.1-3.3	072304-101	X-Brace complete, black SW36/ SD 32	
1.1-3.3	072304-102	X-Brace complete, black SW38/ SD 32	
1.1-3.3	072304-103	X-Brace complete, black SW40/ SD 32	
1.1-3.3	072304-104	X-Brace complete, black SW42/ SD 32	
1.1-3.3	072304-105	X-Brace complete, black SW44/ SD 32	
1.1-3.3	072304-106	X-Brace complete, black SW46/ SD 32	
1.1-3.3	072304-107	X-Brace complete, black SW48/ SD 32	
1.1-3.3	072304-108	X-Brace complete, black SW50/ SD 32	

Seat Sling



Pos	Item number	Description	Comment
2.2	000114000-ET	Countersunk screw SD 3.9 x 9.5 DIN 7982	Pack of 25
1.1,2.1-2.3	072302-001	Seat sling with utensil bag complete SW36 / SD36-38	
1.1,2.1-2.3	072302-002	Seat sling with utensil bag complete SW36 / SD40	
1.1,2.1-2.3	072302-003	Seat sling with utensil bag complete SW36 / SD42	
1.1,2.1-2.3	072302-004	Seat sling with utensil bag complete SW36 / SD44	
1.1,2.1-2.3	072302-005	Seat sling with utensil bag complete SW36 / SD46	

Seat Sling

Pos	Item number	Description	Comment
1.1,2.1-2.3	072302-006	Seat sling with utensil bag complete SW36 / SD48	
1.1,2.1-2.3	072302-007	Seat sling with utensil bag complete SW36 / SD50	
1.1,2.1-2.3	072302-008	Seat sling with utensil bag complete SW38 / SD36-38	
1.1,2.1-2.3	072302-009	Seat sling with utensil bag complete SW38 / SD40	
1.1,2.1-2.3	072302-010	Seat sling with utensil bag complete SW38 / SD42	
1.1,2.1-2.3	072302-011	Seat sling with utensil bag complete SW38 / SD44	
1.1,2.1-2.3	072302-012	Seat sling with utensil bag complete SW38 / SD46	
1.1,2.1-2.3	072302-013	Seat sling with utensil bag complete SW38 / SD48	
1.1,2.1-2.3	072302-014	Seat sling with utensil bag complete SW38 / SD50	
1.1,2.1-2.3	072302-015	Seat sling with utensil bag complete SW40 / SD36-38	
1.1,2.1-2.3	072302-016	Seat sling with utensil bag complete SW40 / SD40	
1.1,2.1-2.3	072302-017	Seat sling with utensil bag complete SW40 / SD42	
1.1,2.1-2.3	072302-018	Seat sling with utensil bag complete SW40 / SD44	
1.1,2.1-2.3	072302-019	Seat sling with utensil bag complete SW40 / SD46	
1.1,2.1-2.3	072302-020	Seat sling with utensil bag complete SW40 / SD48	
1.1,2.1-2.3	072302-021	Seat sling with utensil bag complete SW40 / SD50	
1.1,2.1-2.3	072302-022	Seat sling with utensil bag complete SW42 / SD36-38	
1.1,2.1-2.3	072302-023	Seat sling with utensil bag complete SW42 / SD40	
1.1,2.1-2.3	072302-024	Seat sling with utensil bag complete SW42 / SD42	
1.1,2.1-2.3	072302-025	Seat sling with utensil bag complete SW42 / SD44	
1.1,2.1-2.3	072302-026	Seat sling with utensil bag complete SW42 / SD46	
1.1,2.1-2.3	072302-027	Seat sling with utensil bag complete SW42 / SD48	
1.1,2.1-2.3	072302-028	Seat sling with utensil bag complete SW42 / SD50	
1.1,2.1-2.3	072302-029	Seat sling with utensil bag complete SW44 / SD36-38	
1.1,2.1-2.3	072302-030	Seat sling with utensil bag complete SW44 / SD40	

Pos	Item number	Description	Comment
1.1,2.1-2.3	072302-031	Seat sling with utensil bag complete SW44 / SD42	
1.1,2.1-2.3	072302-032	Seat sling with utensil bag complete SW44 / SD44	
1.1,2.1-2.3	072302-033	Seat sling with utensil bag complete SW44 / SD46	
1.1,2.1-2.3	072302-034	Seat sling with utensil bag complete SW44 / SD48	
1.1,2.1-2.3	072302-035	Seat sling with utensil bag complete SW44 / SD50	
1.1,2.1-2.3	072302-036	Seat sling with utensil bag complete SW46 / SD36-38	
1.1,2.1-2.3	072302-037	Seat sling with utensil bag complete SW46 / SD40	
1.1,2.1-2.3	072302-038	Seat sling with utensil bag complete SW46 / SD42	
1.1,2.1-2.3	072302-039	Seat sling with utensil bag complete SW46 / SD44	
1.1,2.1-2.3	072302-040	Seat sling with utensil bag complete SW46 / SD46	
1.1,2.1-2.3	072302-041	Seat sling with utensil bag complete SW46 / SD48	
1.1,2.1-2.3	072302-042	Seat sling with utensil bag complete SW46 / SD50	
1.1,2.1-2.3	072302-043	Seat sling with utensil bag complete SW48 / SD36-38	
1.1,2.1-2.3	072302-044	Seat sling with utensil bag complete SW48 / SD40	
1.1,2.1-2.3	072302-045	Seat sling with utensil bag complete SW48 / SD42	
1.1,2.1-2.3	072302-046	Seat sling with utensil bag complete SW48 / SD44	
1.1,2.1-2.3	072302-047	Seat sling with utensil bag complete SW48 / SD46	
1.1,2.1-2.3	072302-048	Seat sling with utensil bag complete SW48 / SD48	
1.1,2.1-2.3	072302-049	Seat sling with utensil bag complete SW48 / SD50	
1.1,2.1-2.3	072302-050	Seat sling with utensil bag complete SW50 / SD36-38	
1.1,2.1-2.3	072302-051	Seat sling with utensil bag complete SW50 / SD40	
1.1,2.1-2.3	072302-052	Seat sling with utensil bag complete SW50 / SD42	
1.1,2.1-2.3	072302-053	Seat sling with utensil bag complete SW50 / SD44	
1.1,2.1-2.3	072302-054	Seat sling with utensil bag complete SW50 / SD46	
1.1,2.1-2.3	072302-055	Seat sling with utensil bag complete SW50 / SD48	

Seat Sling

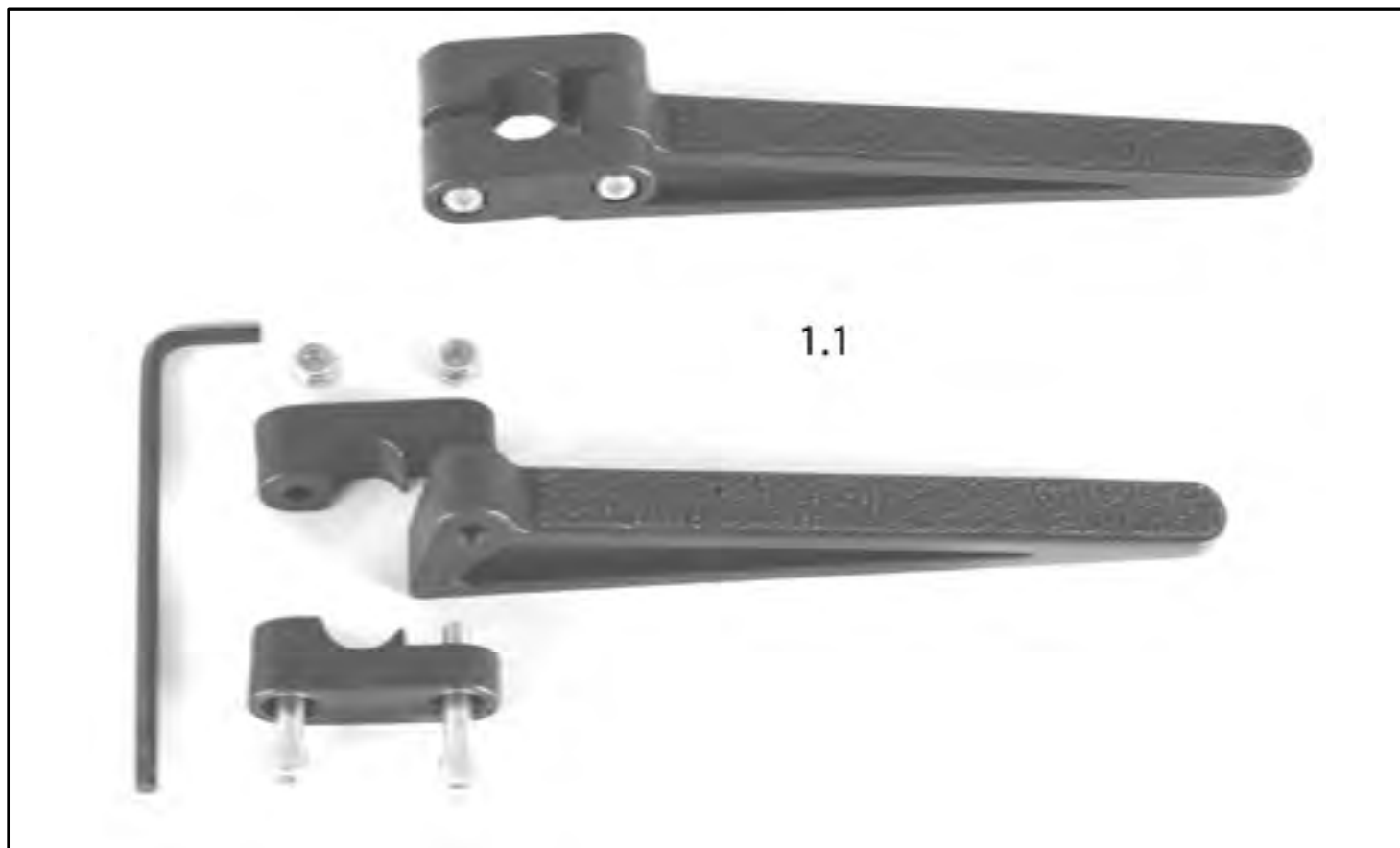
Pos	Item number	Description	Comment
1.1,2.1-2.3	072302-056	Seat sling with utensil bag complete SW50 / SD50	
1.1,2.1-2.3	072302-094	Seat sling with utensil bag complete SW36 / SD36	
1.1,2.1-2.3	072302-098	Seat sling with utensil bag complete SW38 / SD36	
1.1,2.1-2.3	072302-102	Seat sling with utensil bag complete SW40 / SD36	
1.1,2.1-2.3	072302-106	Seat sling with utensil bag complete SW42 / SD36	
1.1,2.1-2.3	072302-110	Seat sling with utensil bag complete SW44 / SD36	
1.1,2.1-2.3	072302-114	Seat sling with utensil bag complete SW46 / SD36	
1.1,2.1-2.3	072302-118	Seat sling with utensil bag complete SW48 / SD36	
1.1,2.1-2.3	072302-122	Seat sling with utensil bag complete SW50 / SD36	
1.1,2.1-2.3	072302-123	Seat sling with utensil bag complete SW50 / SD52	
1.1,2.1-2.3	072302-124	Seat sling with utensil bag complete SW50 / SD54	
1.1,2.1-2.3	072302-125	Seat sling with utensil bag complete SW52 / SD34	
1.1,2.1-2.3	072302-126	Seat sling with utensil bag complete SW52 / SD36	
1.1,2.1-2.3	072302-127	Seat sling with utensil bag complete SW52 / SD52	
1.1,2.1-2.3	072302-128	Seat sling with utensil bag complete SW52 / SD54	
1.1,2.1-2.3	072302-129	Seat sling with utensil bag complete SW54 / SD34	
1.1,2.1-2.3	072302-130	Seat sling with utensil bag complete SW54 / SD36	
1.1,2.1-2.3	072302-131	Seat sling with utensil bag complete SW54 / SD52	
1.1,2.1-2.3	072302-132	Seat sling with utensil bag complete SW54 / SD54	
1.1,2.1-2.3	072302-133	Seat sling with utensil bag complete SW28 SD32 cpl.	
1.1,2.1-2.3	072302-134	Seat sling with utensil bag complete SW28 SD34 cpl.	
1.1,2.1-2.3	072302-135	Seat sling with utensil bag complete SW28 SD36 cpl.	
1.1,2.1-2.3	072302-136	Seat sling with utensil bag complete SW28 SD38 cpl.	
1.1,2.1-2.3	072302-137	Seat sling with utensil bag complete SW28 SD40 cpl.	
1.1,2.1-2.3	072302-138	Seat sling with utensil bag complete SW28 SD42 cpl.	

Pos	Item number	Description	Comment
1.1,2.1-2.3	072302-139	Seat sling with utensil bag complete SW28 SD44 cpl.	
1.1,2.1-2.3	072302-140	Seat sling with utensil bag complete SW28 SD46 cpl.	
1.1,2.1-2.3	072302-141	Seat sling with utensil bag complete SW28 SD48 cpl.	
1.1,2.1-2.3	072302-142	Seat sling with utensil bag complete SW28 SD50 cpl.	
1.1,2.1-2.3	072302-143	Seat sling with utensil bag complete SW30 SD32 cpl.	
1.1,2.1-2.3	072302-144	Seat sling with utensil bag complete SW30 SD34 cpl.	
1.1,2.1-2.3	072302-145	Seat sling with utensil bag complete SW30 SD36 cpl.	
1.1,2.1-2.3	072302-146	Seat sling with utensil bag complete SW30 SD38 cpl.	
1.1,2.1-2.3	072302-147	Seat sling with utensil bag complete SW30 SD40 cpl.	
1.1,2.1-2.3	072302-148	Seat sling with utensil bag complete SW30 SD42 cpl.	
1.1,2.1-2.3	072302-149	Seat sling with utensil bag complete SW30 SD44 cpl.	
1.1,2.1-2.3	072302-150	Seat sling with utensil bag complete SW30 SD46 cpl.	
1.1,2.1-2.3	072302-151	Seat sling with utensil bag complete SW30 SD48 cpl.	
1.1,2.1-2.3	072302-152	Seat sling with utensil bag complete SW30 SD50 cpl.	
1.1,2.1-2.3	072302-153	Seat sling with utensil bag complete SW32 SD32 cpl.	
1.1,2.1-2.3	072302-154	Seat sling with utensil bag complete SW34 SD32 cpl.	
1.1,2.1-2.3	072302-155	Seat sling with utensil bag complete SW36 SD32 cpl.	
1.1,2.1-2.3	072302-156	Seat sling with utensil bag complete SW38 SD32 cpl.	
1.1,2.1-2.3	072302-157	Seat sling with utensil bag complete SW40 SD32 cpl.	
1.1,2.1-2.3	072302-158	Seat sling with utensil bag complete SW42 SD32 cpl.	
1.1,2.1-2.3	072302-159	Seat sling with utensil bag complete SW44 SD32 cpl.	
1.1,2.1-2.3	072302-160	Seat sling with utensil bag complete SW46 SD32 cpl.	
1.1,2.1-2.3	072302-161	Seat sling with utensil bag complete SW48 SD32 cpl.	
1.1,2.1-2.3	072302-162	Seat sling with utensil bag complete SW50 SD32 cpl.	
2.1-2.3	072303-001	Fitting accessories for seat sling SD36	one side only
2.1-2.3	072303-002	Fitting accessories for seat sling SD38	one side only

Seat Sling

Pos	Item number	Description	Comment
2.1-2.3	072303-003	Fitting accessories for seat sling SD40	one side only
2.1-2.3	072303-004	Fitting accessories for seat sling SD42	one side only
2.1-2.3	072303-005	Fitting accessories for seat sling SD44	one side only
2.1-2.3	072303-006	Fitting accessories for seat sling SD46	one side only
2.1-2.3	072303-007	Fitting accessories for seat sling SD48	one side only
2.1-2.3	072303-008	Fitting accessories for seat sling SD50	one side only
2.1-2.3	072303-009	Fitting accessories for seat sling SD34	one side only
2.1-2.3	072303-012	Fitting accessories for seat sling SD32	one side only
2.1	720831606-ET	End stoppers	Pack of 10

Caddy



Pos	Item number	Description	Comment
1.1	L902350	Caddy, bag carrier, cpl.	Pair

Tool kit

Tool kit



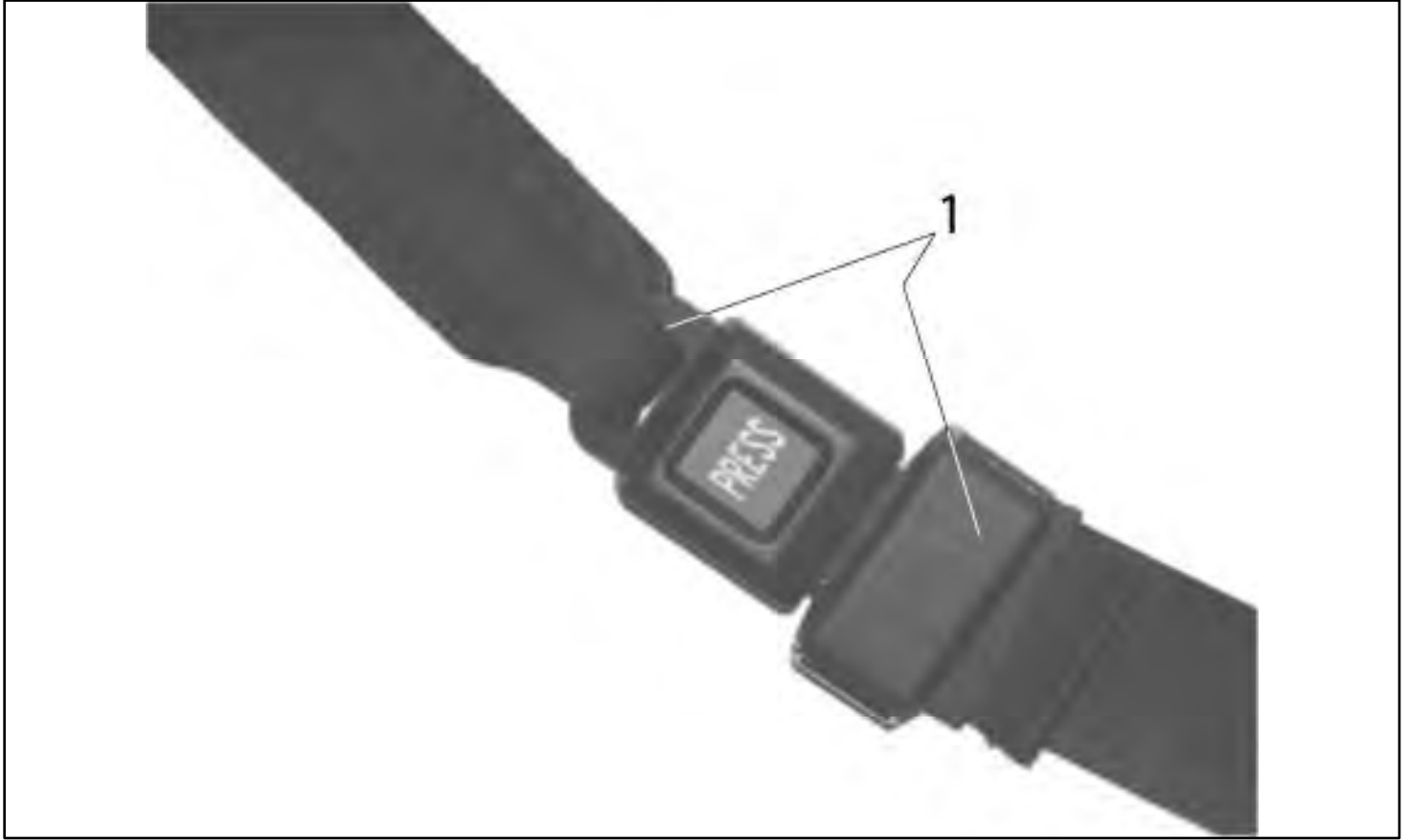
Pos	Item number	Description
1	000604270	Tools kit

Wheelchair Backback



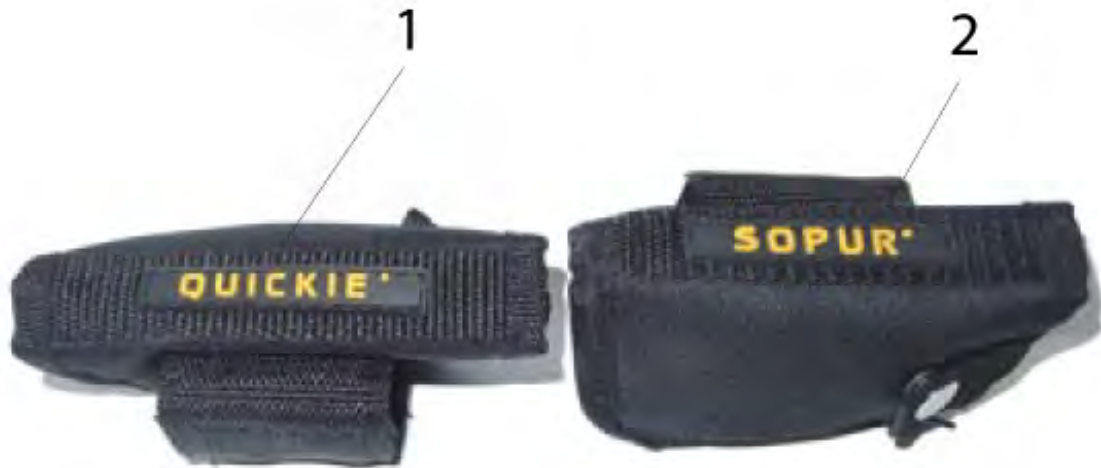
Pos	Item number	Description
1.1	000670001	Wheelchair backpack, black

Lap Belt with Fastener



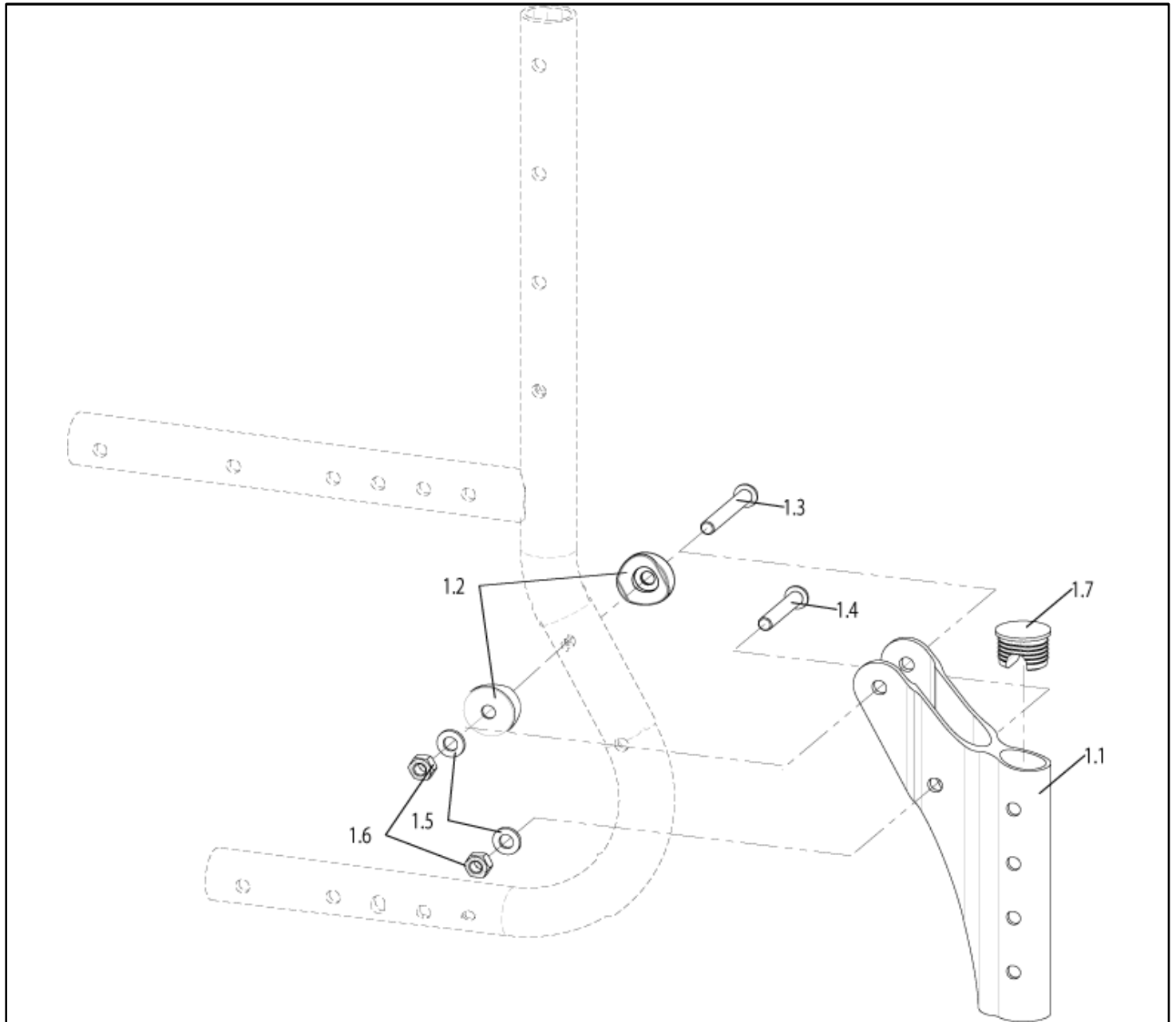
Pos	Item number	Description
1	069939	Lap belt with fastener up to SW: 40
1	069935	Lap belt with fastener from SW: 42

Mobile Phone Case



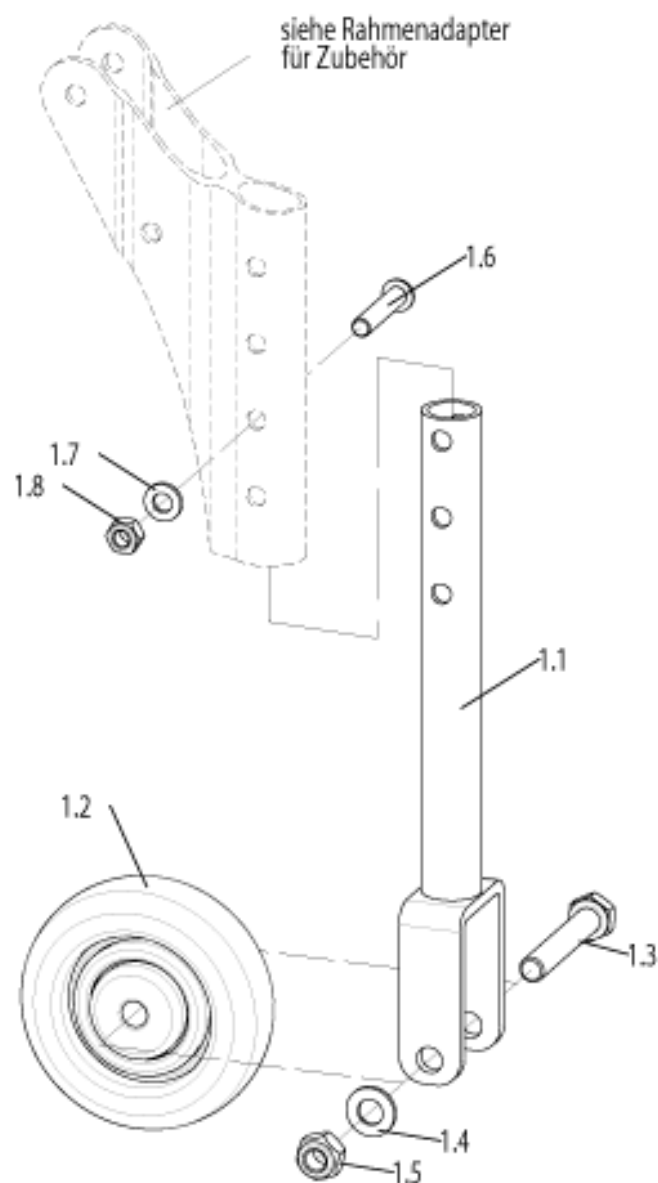
Pos	Item number	Description	Comment
1	000670006	Mobile phone case QUICKIE	Für alle Stuhltypen passend
2	000670005	Mobile phone case SOPUR	Für alle Stuhltypen passend

Frame adapter for accessories



Pos	Item number	Description	Comment
1.1-1-7	072705	Accessories fixation complete	can be used right & left
1.2	000831232-ET	Half shell for cross-brace - black POM	Pack of 10
1.3	000102056.01-ET	Screw M 6 x 45 mit Torx-Antrieb	Pack of 25
1.4	000102317.01-ET	Screw M 6 x 37 mit Torx-Antrieb	Pack of 25
1.5	000130107-ET	Washer A6.4 DIN 125	Pack of 25
1.6	000128007-ET	Hex nut M 6 DIN 985	Pack of 25
1.7	760827007-ET	End stoppers	Pack of 10

Transit Wheel



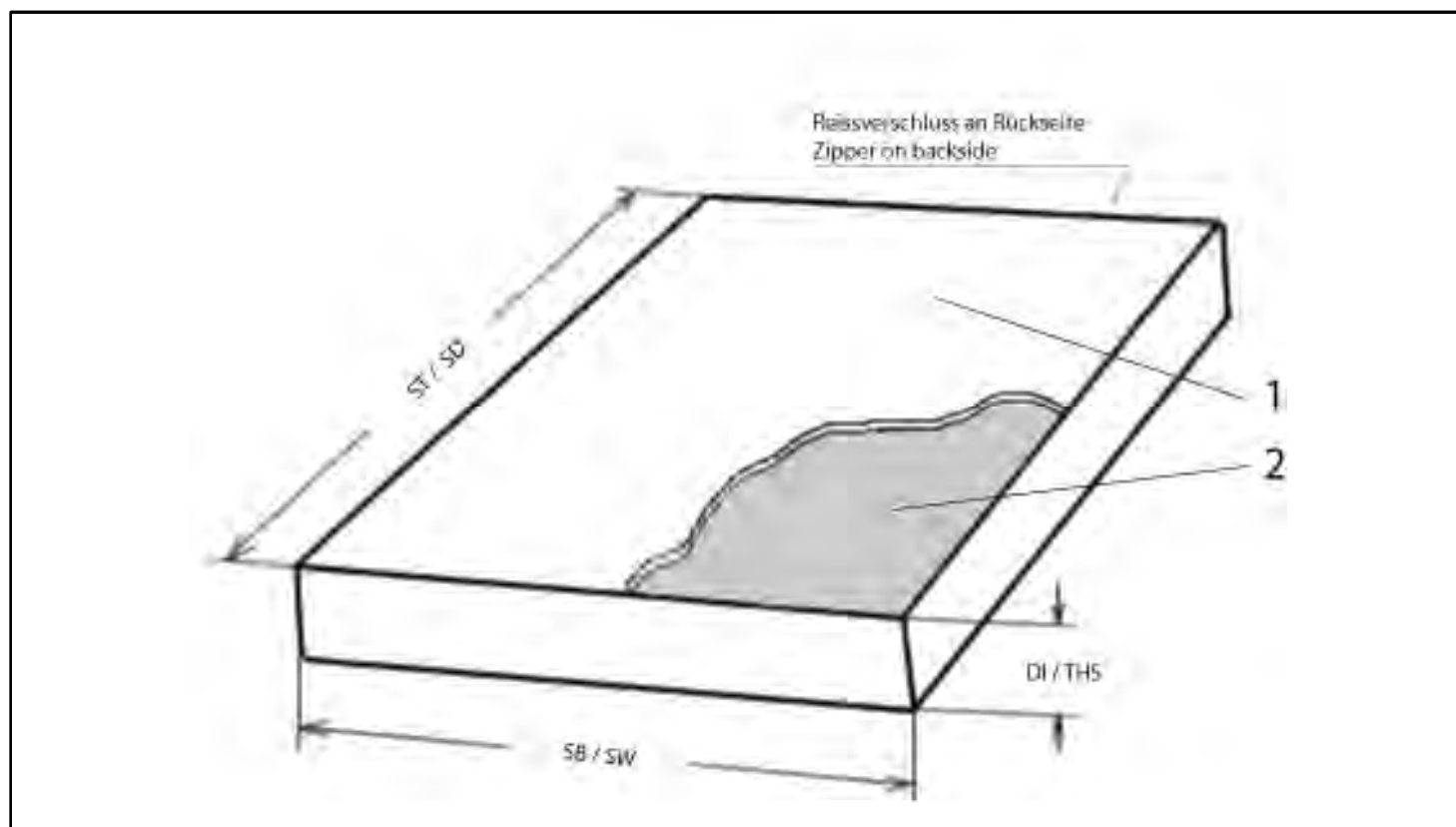
Pos	Item number	Description	Comment
1.1-1-8	760858020	Transit wheel, cpl.	can be used right & left
1.3	000100016-ET	Hex screw M 8 x 50 DIN 931	Pack of 25
1.4	000130108-ET	A 8.4 washer DIN 125	Pack of 25
1.5	000128018-ET	Hex nut M 8 DIN 985	Pack of 25
1.6	000102312.01-ET	Oval-head screw M 6 x 32 with Torx drive	Pack of 25
1.7	000130107-ET	Washer A6.4 DIN 125	Pack of 25

Transit Wheel

Pos	Item number	Description	Comment
1.8	000128007-ET	Hex nut M 6 DIN 985	Pack of 25

Upholstery

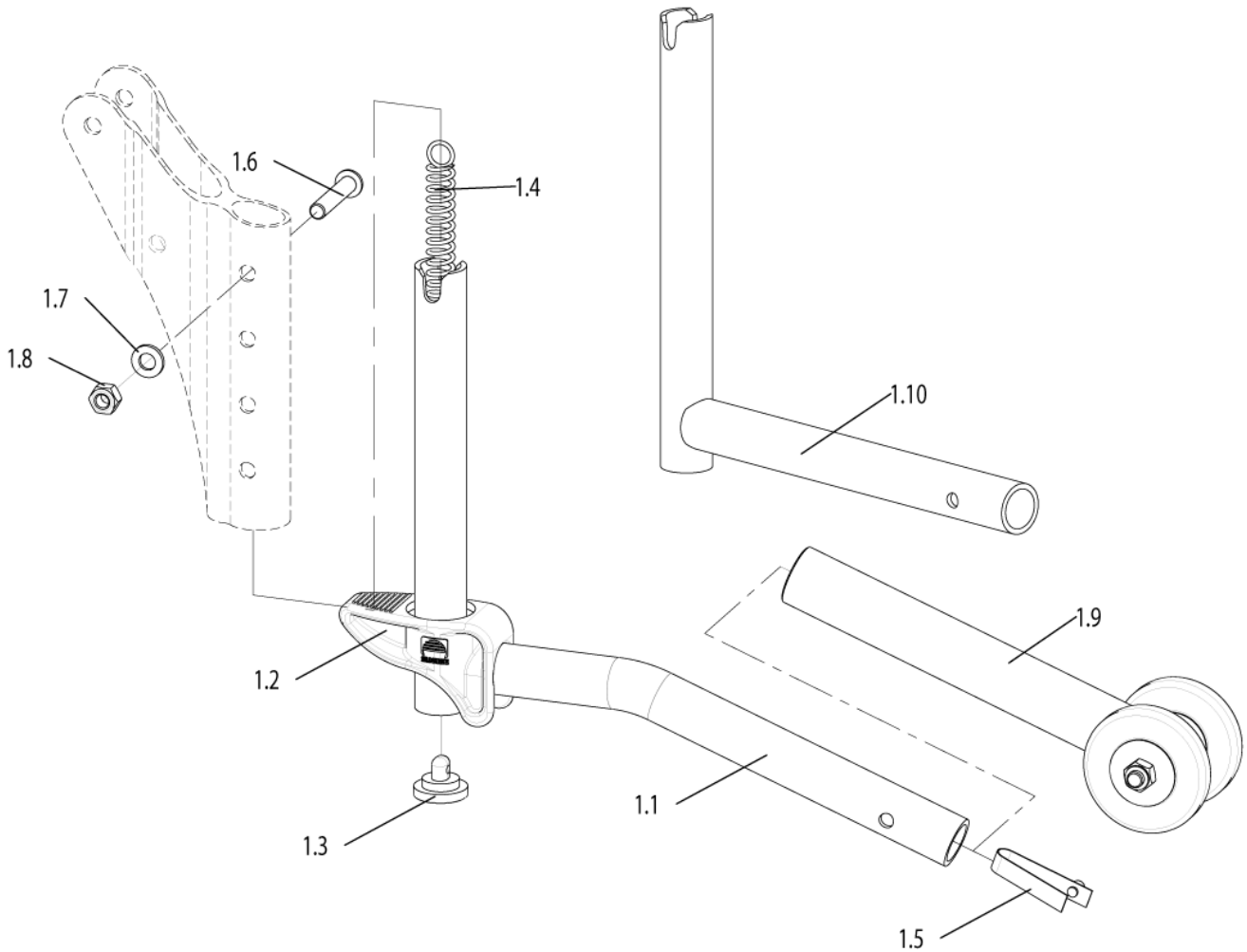
Seat- and Backslings are customized manufactured and excluded from replacements!



Pos	Item number	Description	Comment
1-2	000835002	Seat cushion and cover, black complete, cushion filling: Composite foam = 92	
1-2	000835003	Seat cushion and cover, black complete, cushion filling: Latex = 55	
1-2	000898063	KLIMA-TEX seat cushion and cover, black complete, cushion filling: Latex = 55	
1-2	000898060	KLIMA-TEX seat cushion and cover, black, cpl. Cushion filling: foam = 92	Only 3 or 5 cm thick
2	000835810	Seat cushion, filling composite foam	
2	000835820	Seat cushion, filling Latex	
1	000836002	Seat cushion cover, black	
-	000845010	Back cushion 3 cm. Black cover	

Anti-tip tube

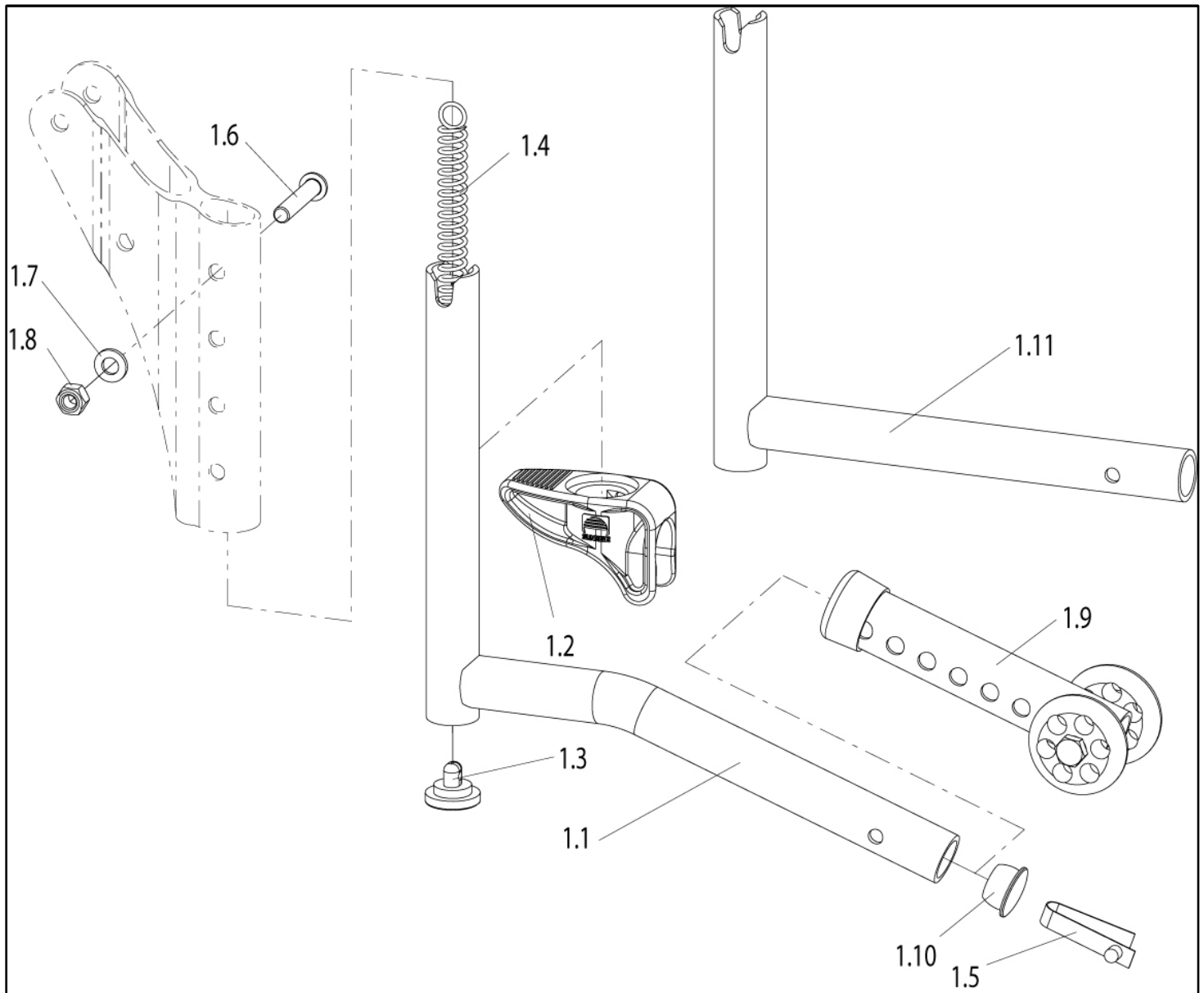
Anti-tip tube



Pos	Item number	Description	Comment
1.1-1.9	000859202	Swingaway anti-tip tubes for 24Inch and 26Inch cpl. (without frame adapter)	can be used right & left
1.2-1.10	000859212	Swingaway anti-tip tube, complete. For 20Inch and 22Inch rear wheels	can be used right & left
1.1-1.8	000859201	Anti-tip tube adapter 24Inch and 26Inch cpl.	
1.2-1.8,1.10	000859203	Anti-tip tube adapter 20Inch and 22Inch cpl.	
1.1	000859205	Anti-tip tube adapter 24Inch and 26Inch	
1.2	000859001	Pedal for anti-tip tube	
1.3	000859204	Bracket for tension spring	
1.4	000242024	Tension spring for anti-tip tube	
1.5	064711-ET	Support spring with bolt d = 5 mm	5 pcs./pack
1.6	000102312.01-ET	Oval-head screw M 6 x 32 with Torx drive	Pack of 25

Pos	Item number	Description	Comment
1.7	000130107-ET	Washer A6.4 DIN 125	Pack of 25
1.8	000128007-ET	Hex nut M 6 DIN 985	Pack of 25
1.9	000859208	Holder for anti-tip tube, complete	
1.10	000859207	Anti-tip tube adapter 20Inch / 22Inch	

Anti tip tubes swing away, aluminium lightweight



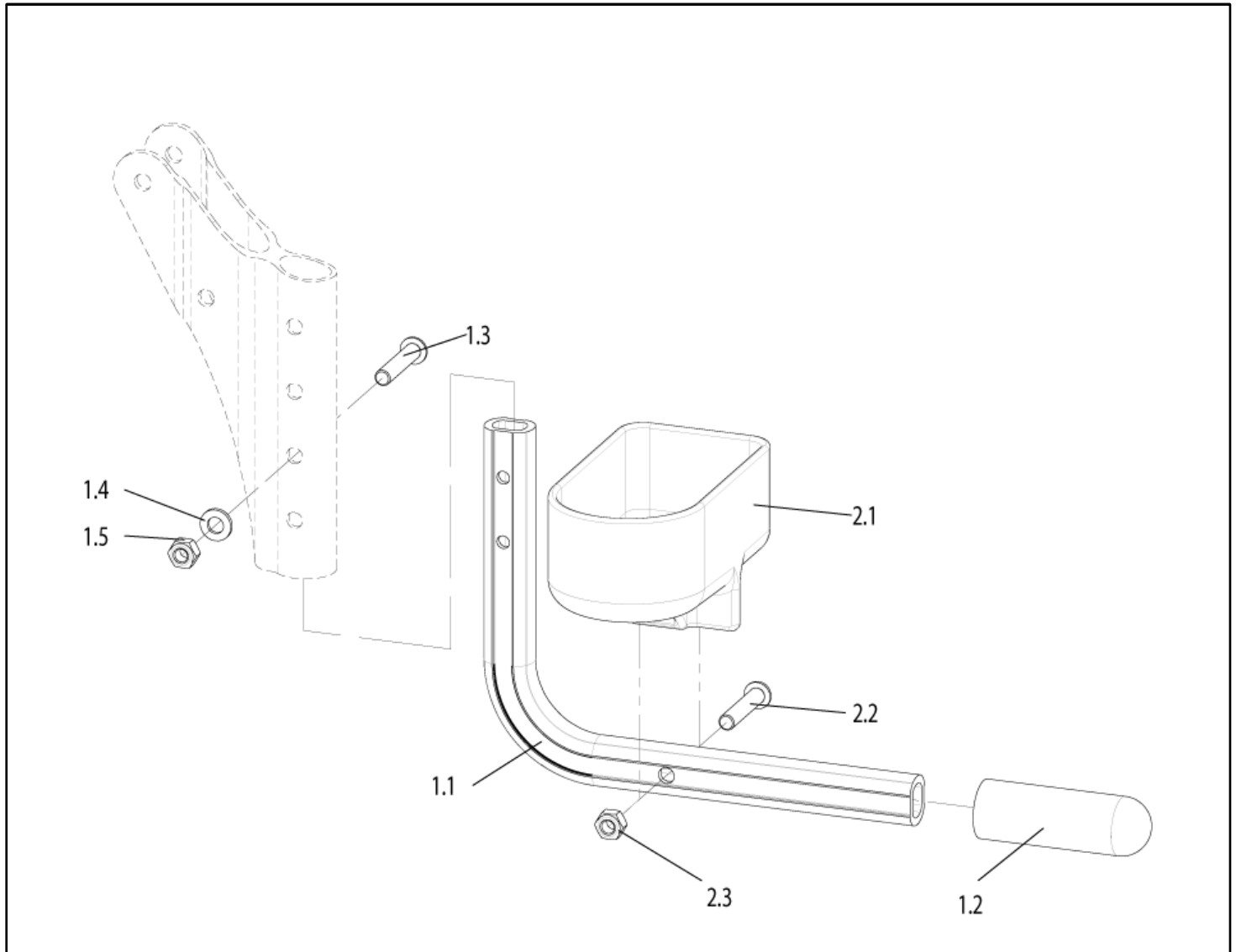
Pos	Item number	Description	Comment
1.1-1.10	072714-002	Swingaway anti-tip tubes for 24Inch and 26Inch cpl. (without frame adapter)	Pair
1.1+1.5+	84307005	Anti-tip tube adapter, aluminium lightweight, 24in and 26in	
1.2-1.11	072714-001	Swingaway anti-tip tubes for 20Inch and 22Inch cpl. (without frame adapter)	Pair
1.2-1.8	069934	Bracket incl. mounting accessories used with slide-on thrapy table	
1.2	000859001	Pedal for anti-tip tube	
1.3	000859204	Bracket for tension spring	
1.4	000242024	Tension spring for anti-tip tubes	
1.5	064711-ET	Support spring with bolt d = 5 mm	
1.6	000102312.01-ET	oval-head screw M 6 x 32 with Torx drive	25 pcs./pack

Anti tip tubes swing away, aluminium lightweight

Pos	Item number	Description	Comment
1.7	000130107-ET	Washer A 6.4 DIN 125	25 pcs./pack
1.8	000128007-ET	Hex nut M 6 DIN 985	25 pcs./pack
1.10	756841055-ET	Plastic plug	10 pcs./pack
1.11+1.5	84307009	Anti-tip tube adapter, aluminium lightweight, 20Inch and 22Inch	

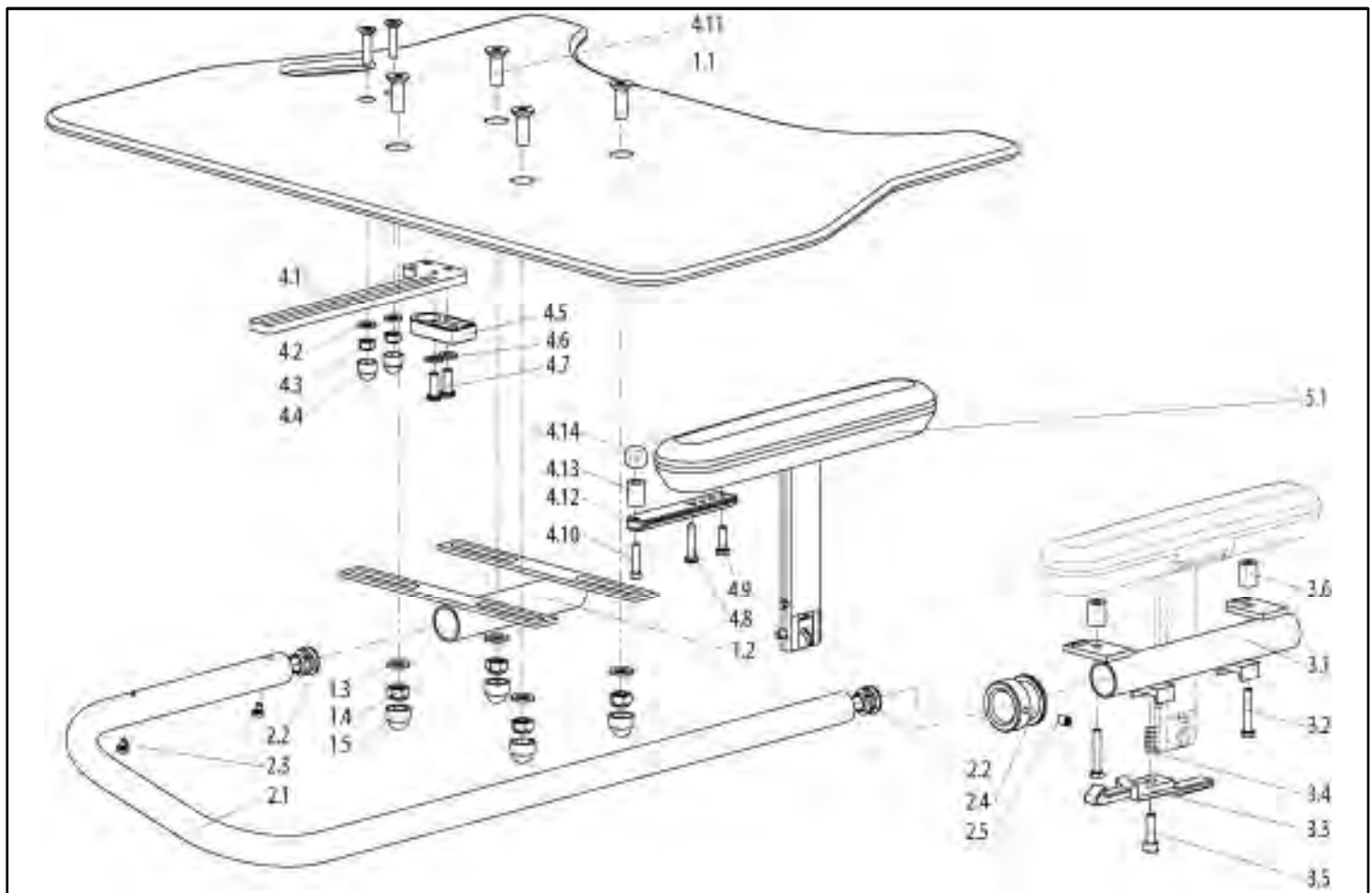
Tipping tube

Tipping tube



Pos	Item number	Description	Comment
1.1-1.5	740815115	Tipping tube cpl.	can be used right & left
1.2	000282041-ET	Cap 18 x 28, black PVC	Pack of 10
1.3	000102312.01-ET	Oval-head screw M 6 x 32 with Torx drive	Pack of 25
1.4	000130107-ET	Washer A6.4 DIN 125	Pack of 25
1.5	000128007-ET	Hex nut M 6 DIN 985	Pack of 25
2.1-2.3	740815120	Crutch Holder with Velcro cpl.	
2.2	000102312.01-ET	Oval-head screw M 6 x 32 with Torx drive	Pack of 25
2.3	000128007-ET	Hex nut M 6 DIN 985	Pack of 25

Therapy table swingaway

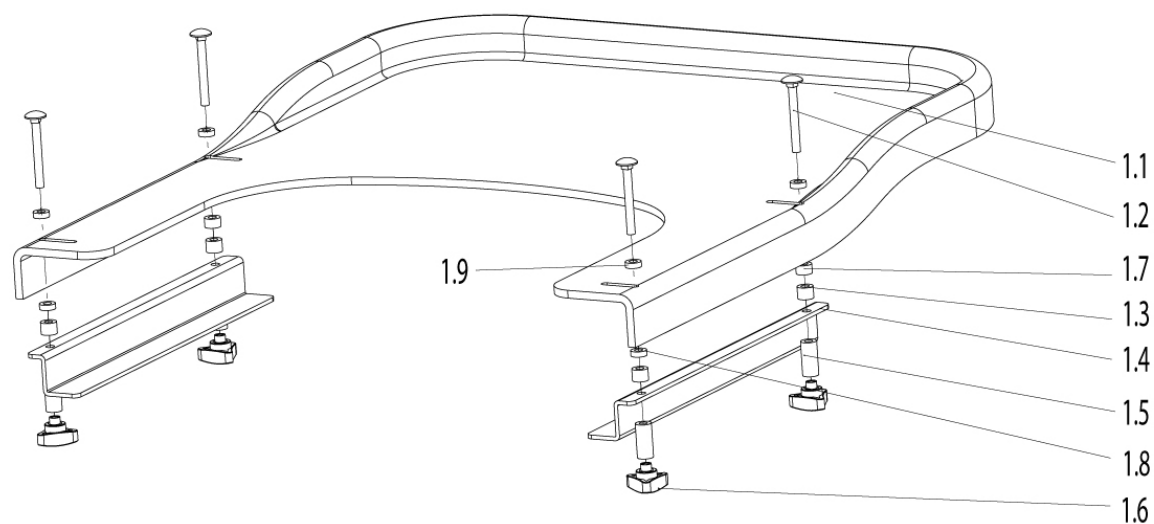


Pos	Item number	Description	Comment
1.1-4.14	054427-001	Therapy table, swingaway complete. For Desk-III - sideguard, without armrests, swingaway to the right	right, Note: use only with desk sideguard and long/height adj. arm pad or std sideguard, aluminium
1.1-4.14	054427-002	Therapy table, swingaway complete. For Desk-III - sideguard, without armrests, swingaway to the left	left, Note: use only with desk sideguard and long/height adj. arm pad or std sideguard, aluminium
1.2-4.14	054427-003	Therapy table, swingaway for Desk-III sideguard, without armrests, without table top, swingaway to the right	right, Note: use only with desk sideguard and long/height adj. arm pad or std sideguard, aluminium

Therapy table swingaway

Pos	Item number	Description	Comment
1.2-4.14	054427-004	Therapy table, swingaway for Desk-III sideguard, without armrests, without table top, swingaway to the left	left, Note: use only with desk sideguard and long/height adj. arm pad or std sideguard, aluminium
1.1-2.5	760848006	Table top for standard therapy table, swingaway, complete. With swingaway mechanism (without plug-in bracket)	
1.3	000130108-ET	A 8.4 washer DIN 125	Pack of 25
1.4	000128018-ET	Hex nut M 8 DIN 985	Pack of 25
1.5	000282062-ET	Hex protective cap for M 8 plastic, black	Pack of 25
1.6	000104033-ET	Countersunk head screw M 8 x 25 DIN 7991	Pack of 10
2.1	760847104	Swing bar for SW: 34 to 40	
2.1	410847012	Swing bar for SW: 42 to 50	
2.2	000282038-ET	Laminated cap for swing bar	
2.3	000102065-ET	Oval-head screw M 4 x 6 DIN 7985	Pack of 50
3.1-3.6	760748005	Plug-in bracket for therapy table left, complete. Swingaway to the left	left
3.1-3.6	760848005	Plug-in bracket for therapy table right, complete. Swingaway to the right	right
3.2	000100045-ET	Hex screw M 5 x 30 DIN 933	Pack of 10
3.3	750842099.01	Interlock lever, curved	
3.4	000242030-ET	Compression spring	Pack of 10
3.5	000102199-ET	Cheese head screw M 6 x 20 DIN 84	Pack of 25
4.1-4.14	760848007	Fitting on the free side for therapy table, complete	
4.2/4.6	000130107-ET	A 6.4 washer DIN 125	Pack of 25
4.3	000128007-ET	Hex nut M 6 DIN 985	Pack of 25
4.4	000282063-ET	Hex protective cap for M 6 plastic, black	Pack of 10
4.7	000102309.01-ET	Oval-head screw M 6 x 16 with Torx drive	Pack of 25
4.8	000100028-ET	Hex screw M 5 x 16/8.8 DIN 558	Pack of 25
4.9	000100027-ET	Hex screw M 5 x 16 DIN 558	Pack of 25
4.10	000102153-ET	Hex screw M 4 x 12 DIN 933	Pack of 50
4.11	000104053-ET	Countersunk head screw M 6 x 35 DIN 7991	Pack of 25
4.13	000281016	Spacer roll, black - 12 / 16.2 / 16	
4.14	000281018	Dome head DIN 319 - KU-16-M4-E	
4.8-5.1	054449-005	Long armpad, height-adjustable, swing away for tray	right
4.8-5.1	054449-006	Long armpad, height-adjustable, swing away for tray	left

Therapy table



Pos	Item number	Description	Comment
1.1-1.9	760848050.01	Therapy table for SW: 38 -40 complete	
1.1-1.9	760848050.02	Therapy table for SW: 42 -44 complete	
1.1-1.9	760848050.03	Therapy table for SW: 46 - 48 complete	
1.2-1.9	069934	Bracket incl. mounting accessories used with slide-on thrapy table	

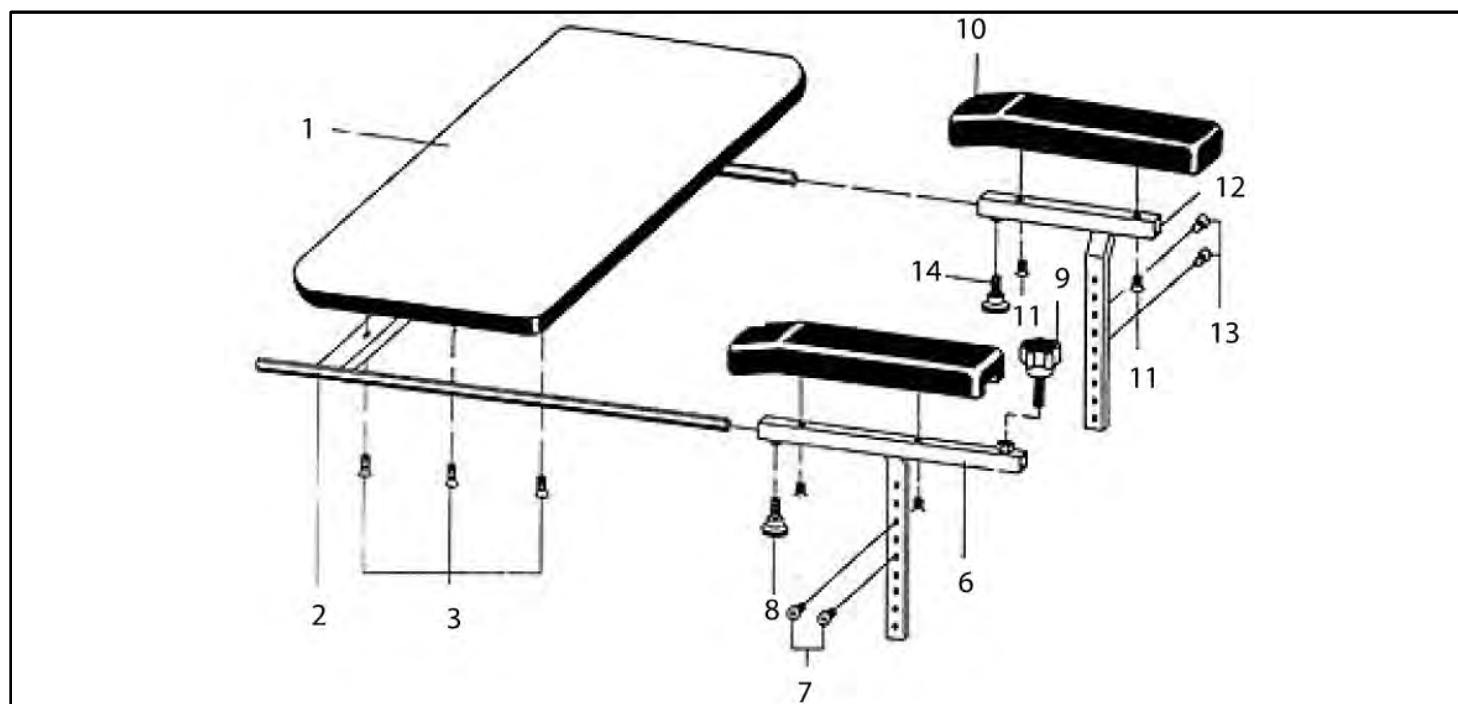
Accessories

Accessories

Kein Bild vorhanden
no image available

Pos	Item number	Description	Comment
	000859104	Air pump with mounting	
	000228005	High Pressure Pump	

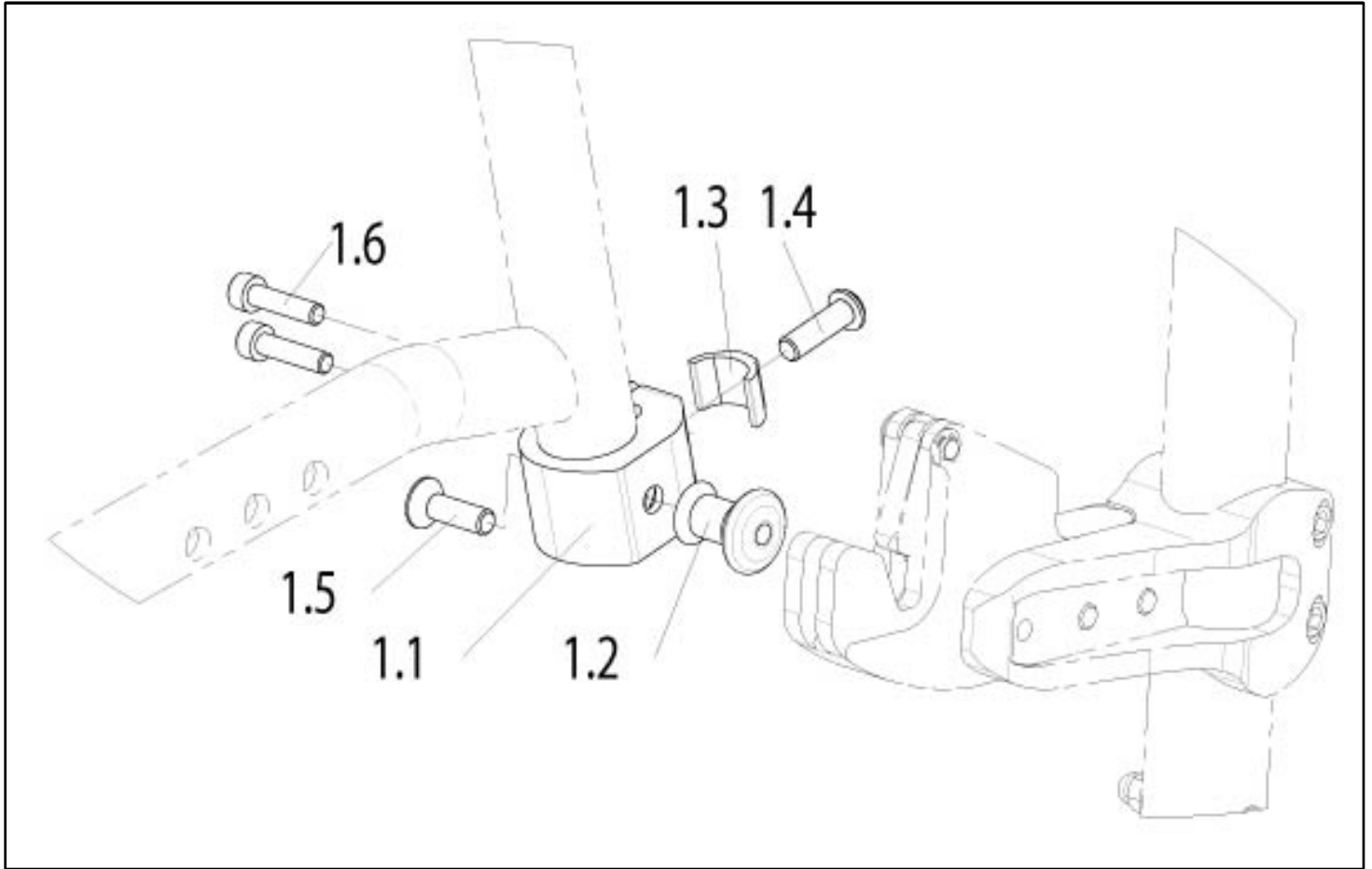
Tray table, used from SW 22 to 36 cm



Pos	Item number	Description	Comment
1 - 14	810848001	Tray table with armrests, complete	
1 - 3	810848002	Tray table with bracket	
2	810848004	Bracket for tray table	
6 - 14	810948008	Armrests for tray table, complete	Pair
10 - 14	810848008	Armrest for tray table, complete	right
6 - 9	810748008	Armrest for tray table, complete	left
12 - 14	810848011	Armrest bracket	right
6 - 9	810748011	Armrest bracket	left
10 - 11	000848009	Arm pad, complete	right
7, 13	000104044-ET	Countersunk head screw M 5 x 8 DIN 965	pack of 25
8, 14	000107016-ET	Knurled screw M 6 x 16 DIN 464	pack of 4
9	000841079	Star wheel screw M 8 x 28	
3	000114004-ET	Countersunk head screw M 4.8 x 13 DIN 7982	pack of 25
11	000104000-ET	Countersunk head screw M 5 x 12 DIN 965	pack of 25

Docking Attitude

Docking Attitude



Pos	Item number	Description	Comment
1.1-1.6	47301036	Clamp docking Attitude for Easy tube cpl.	
1.6	066901-001-ET	Socket head cap screw M5 x 20 DIN 912	25 pcs./pack
1.4	000102307.01-ET	Button head cap screw M 6 x 20 Torx drive	25 pcs./pack
1.3	760827002-ET	Pressure piece	10 pcs./pack