



Life R

**Spare Parts
Catalogue**


QUICKIE®

**INNOVATE.
BUILD FOR THE FUTURE**



This product is manufactured to comply with the Medical Device Directive 93/42/EEC.

Use of Illustrations & Text:

The illustrations and accompanying text set out in this document are the property of Sunrise Medical Limited and must not be copied or used for manufacturing, tendering or any other purpose without written consent from Sunrise Medical.

Ordering:

Item numbers shown as N/A are for reference purposes only and should not be used when ordering replacement parts. Always quote the correct serial number and part number.

Quality Management Systems:

Sunrise Medical Limited is accredited to ISO 9001: 2008, which is the internationally recognised standard for quality management systems, as well as ISO 13485: 2012, which specially governs Medical Devices. These approvals ensure that we provide quality in all areas of our business from development through to final delivery.

Parts Disclaimer:

It is potentially hazardous to fit or use any parts other than genuine Sunrise Medical parts. The company disclaims all liability for the consequences of such use, which in addition voids the product warranty.

This product is for the carriage of one person and must not under any circumstances be used for any other purpose.

Queries:

Should you have any queries then please contact Sunrise Medical Ltd on

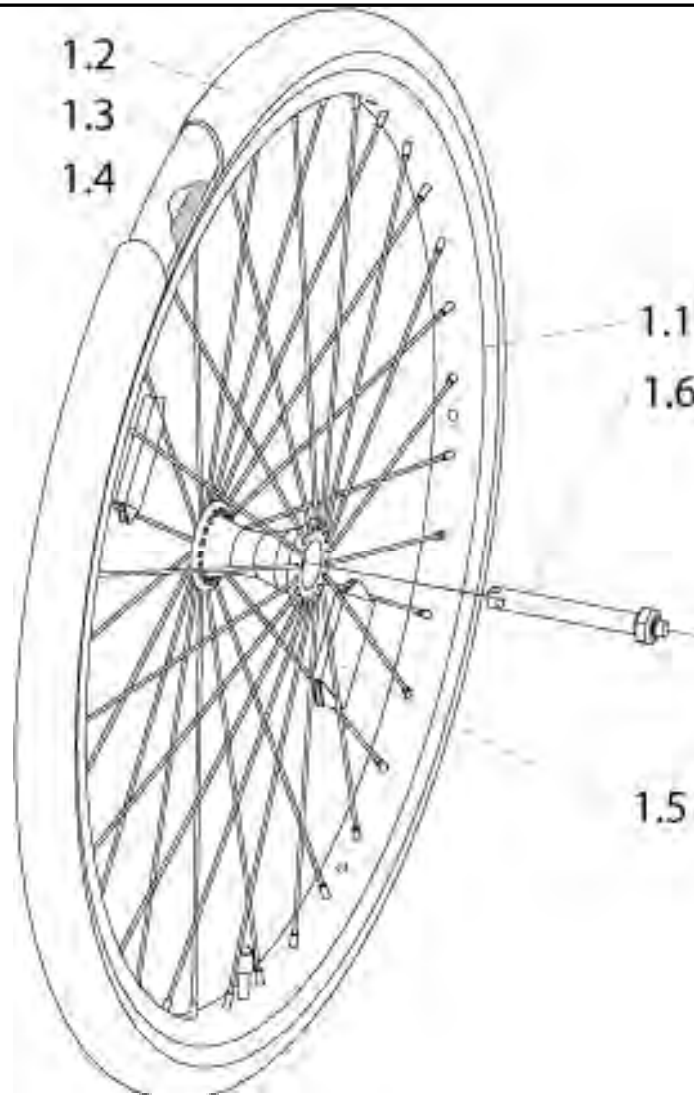
Tel +44(0) 845 605 6688
Fax +44(0) 845 605 6689

QUICKIE Life R	5
Rear wheels	5
Universal Rear Wheel (alu hub)	5
Design Rear Wheel	7
Lightweight Rear Wheel	9
Drum brakes Rear wheel with brake	11
Screw-in Adapter	13
Handrim	14
Max Grepp Ergo Para hand rim	16
Spoke guards, adults	17
Spoke guards, teens	19
Spinergy wheel / handrim	21
Brake	23
Push-to-Lock wheel lock	23
Standard wheel lock	25
Knee lever wheel lock with frame fitting	27
Compact wheel lock	29
Activation for Drum brake/ Quick release axle	31
Footrest	32
Footrest measuring overview	32
Aluminium hanger	33
Composite hanger version 70°	36
Composite hanger Version 80°	39
Elevating Leg Rest ELR	42
Divided angle adjustable footplate, composite	43
Divided footplate, angle and depth adj., aluminium	45
Platform footplate, angle and depth adj., aluminium	47
Platform footplate lightweight, composite, flip-up	49
Platform footplate lightweight, composite or aluminium	50
Castor	52
Castor for fixed frame	52
Castor for swing away frame (starting week 28/2014)	55
Castor for swing away frame (until week 27/2014)	58
Frame	61
Front frame for fixed legrest	61
Front frame for swing away legrest (starting week 28/2014)	63
Front frame for swing away legrest (until week 27/2014)	65
Back Frame	66
Frame connections	68
Backrest	69
Back tubes for standard back	69
Height Adjustable Push Handle	71
Angle Adjustable back	73
Crash Test Option	76
EXO Backrest upholstery, with long and fold down pushhandles	77
EXO Backrest upholstery, with height adjustable pushhandles or without pushhandles	79
Sideguard	81

Table of contents

Single Post Sideguard with Armpad.....	81
Single post tool height adjustable armrest	83
Plastic Sideguard, detachable	85
Aluminium Sideguard without/with Clothes Protector	86
Seat.....	88
Seat Sling.....	88
Accessories.....	89
Seat cushion	89
Lap Belt with Fastener	90
Handbike axle	91
Frame adapter for accessories	92
Transit Wheel.....	93
Tip assist	95
Anti-tip tube.....	96
Anti tip tubes swing away, aluminium lightweight	98
Tool kit	100
Caddy.....	101
Wheelchair Backback	102
Mobile Phone Case.....	103
Accessories.....	104
Docking Attitude.....	105

Universal Rear Wheel (alu hub)

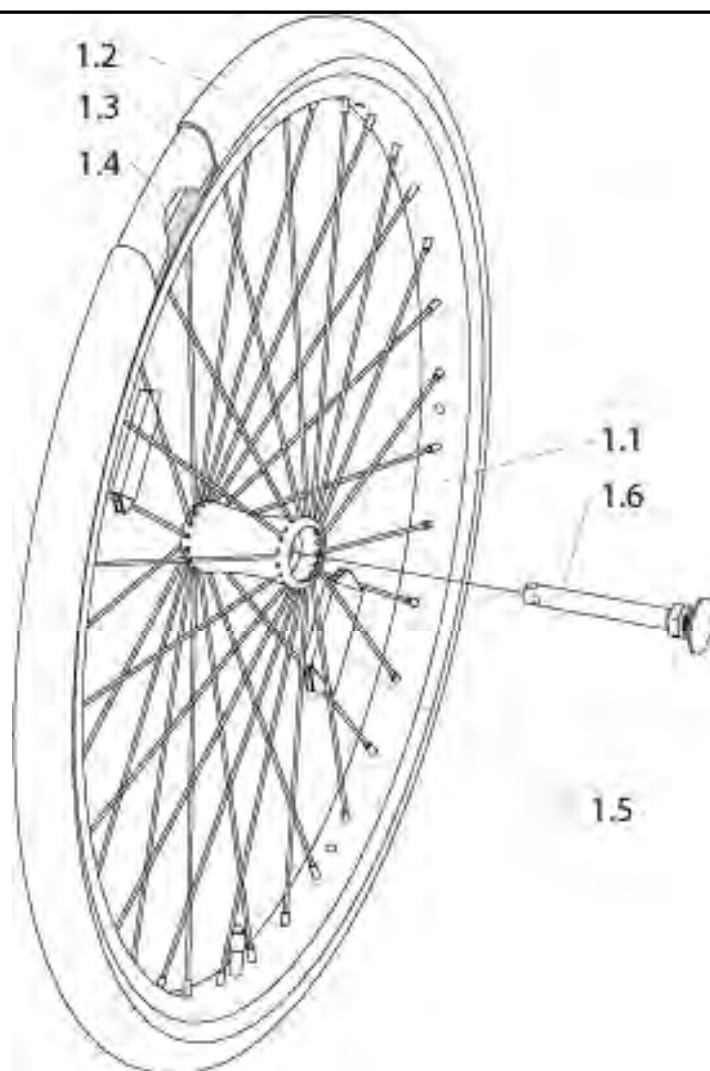


Pos	Item number	Description	Comment
1.1,1.5-1.6	000850262	22Inch Universal rear wheel, with cross spokes and quick-release axle (without tyre)	
1.1,1.5-1.6	000850262.01	22Inch Universal wheel, with straight spokes and quick-release axle (without tyre)	
1.1,1.5-1.6	000851262	22Inch Universal wheel, coated, with cross-spokes and quick-release axle (without tyre)	
1.1,1.5-1.6	000851262.01	22Inch Universal rear wheel, coated, with straight spokes and quick-release axle (without tyre)	
1.1,1.5-1.6	000850264	24" Universal rear wheel, clear anodised with cross spokes and quick-release axle (without tyres, without handrim)	
1.1,1.5-1.6	000851264	24Inch Universal wheel, coated, with cross-spokes and quick-release axle (without tyre)	
1.2-1.4	000857225	22Inch tyre, grey, rugged tread cpl. (tyre, tube and tube protector)	
1.2	000283016.01	Tyre 22Inch, Right Run	
1.2	000283002	Tyre 24Inch	

Universal Rear Wheel (alu hub)

Pos	Item number	Description	Comment
1.3	000283114-ET	22Inch pneumatic inner tube	10 pcs./pack
1.4	000283151-ET	22Inch tube protector	10 pcs./pack
1.2-1.4	000857224.01	24Inch tyre cpl., Right Run (tyre, tube and tube protector)	
1.2-1.4	000857424	24Inch Downtown - Two grip tyre, complete (tyre, tube & tube protector)	
-	000283015.01	24 inch x 1 3/8 inch, soft tyre, puncture proofed, grey	not initially mounted
-	000283017	24 inch x 1 inch, soft tyre, puncture proofed, black	
1.2	000283014.01	Tyre 24Inch , Right Run	
1.2	000283037	24Inch Downtown - Two grip tyre	
-	000283036	24Inch tyre, Marathon Plus Evo, puncture resistance, rugged tread	
1.3	000283113	24Inch inner tube	
1.3	000283102	Tyre 24Inch Autoventil, 8 mm	
1.4	000283160-ET	24Inch Tube protector	10 pcs./pack
1.5	000280001-ET	Spoke reflector	10 pcs./pack
1.6	000220253	Quick-release axle for Universal rear wheel	

Design Rear Wheel

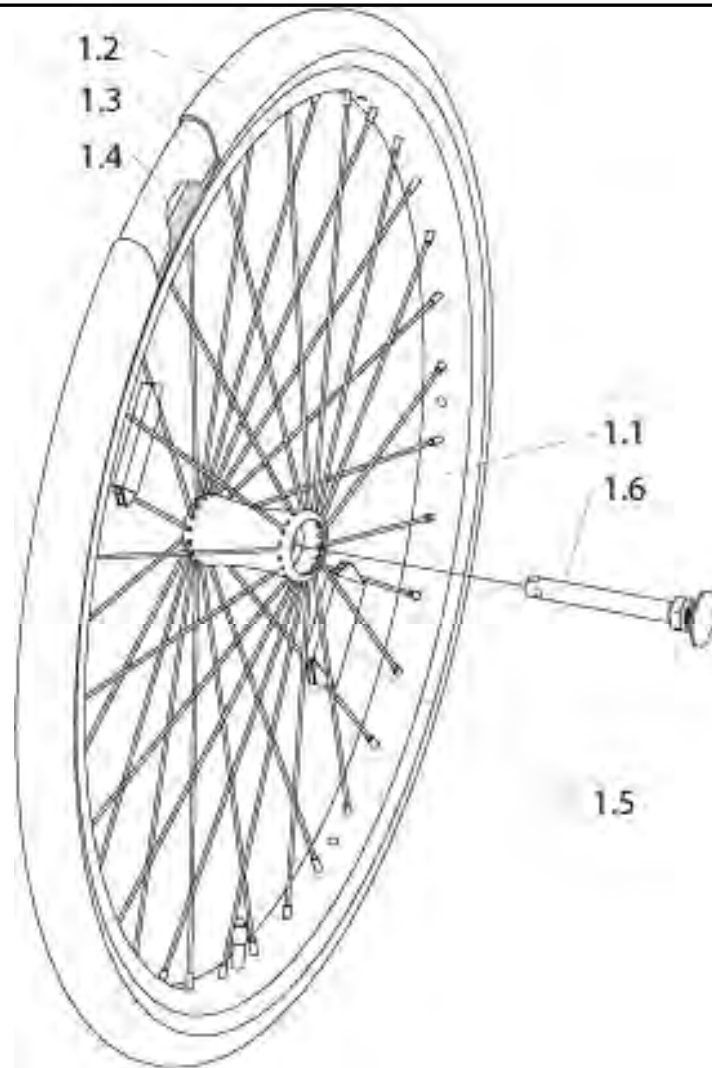


Pos	Item number	Description	Comment
1.1, 1.5-1.6	000851315	24Inch Design rear wheel, clear anodised with quick-release axle (without tyres)	
1.2-1.4	000857224.01	24Inch tyre cpl., Right Run (tyre, tube and tube protector)	
1.2-1.4	000857130.01	24Inch tyre, Schwalbe one cpl. (tyre, tube and tube protector)	
1.2-1.4	000857424	24Inch Inch Downtown - Two grip tyre, cpl. (tyre, tube & tube protector)	
1.2	000857130	24Inch tyre, Schwalbe one	
1.2	000283014.01	Tyre 24Inch Right Run	
1.2	000283037	24Inch Downtown - Two grip tyre	
-	000283017	24 inch x 1 inch, soft tyre, puncture proofed, black	
-	000283036	24Inch tyre, Marathon Plus Evo, puncture resistance, rugged tread	
1.3	000283113	24Inch inner tube	
1.3	000283111-ET	24Inch Inner tube, for Downtown - Two grip	10 pcs./pack
1.4	000283160-ET	24Inch Tube protector	10 pcs./pack

Design Rear Wheel

Pos	Item number	Description	Comment
1.6	000220299	Quick-release axle spinergy, design and light weight wheel, 99 mm	
-	000280001-ET	Spoke reflector	10 pcs./pack

Lightweight Rear Wheel

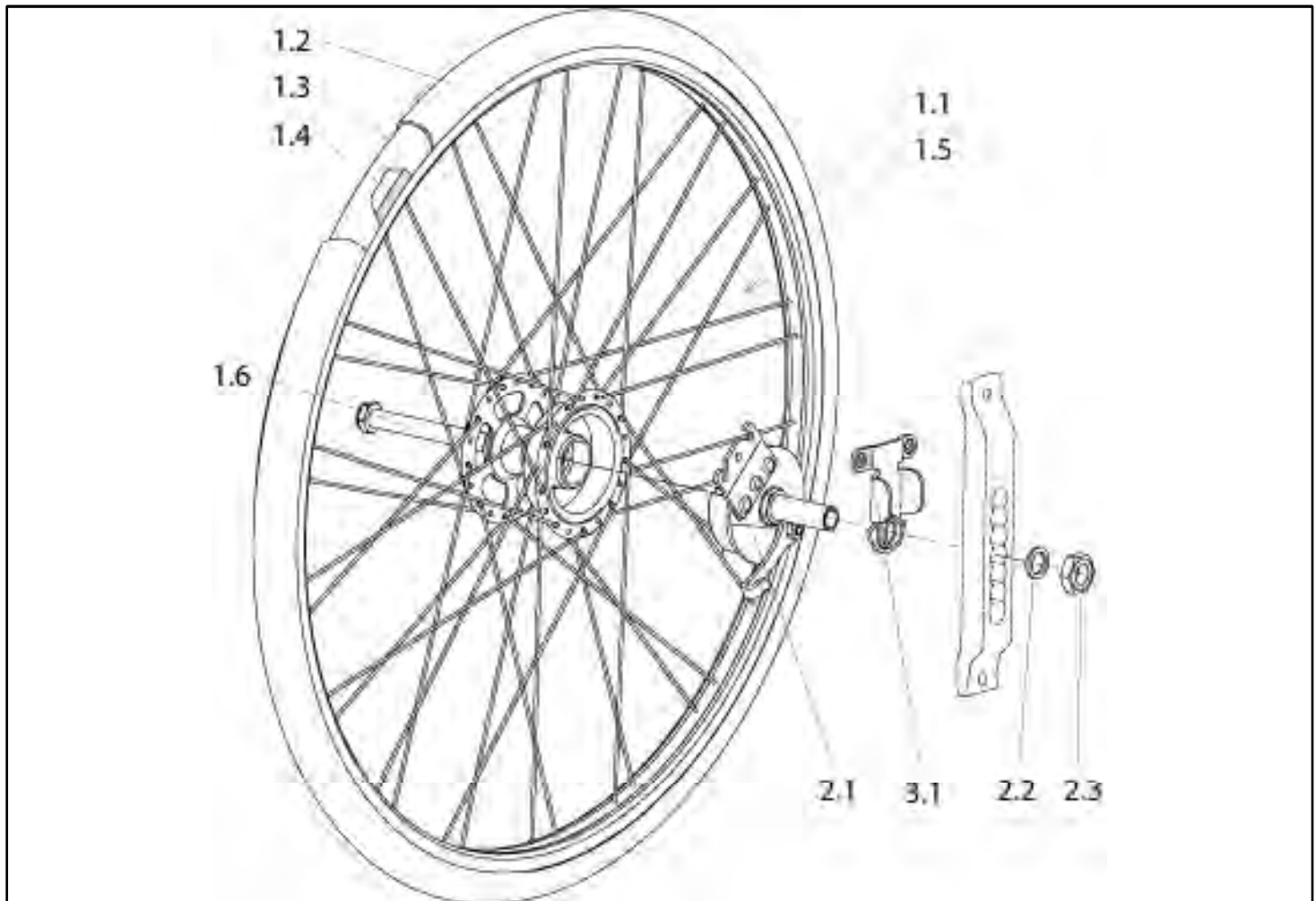


Pos	Item number	Description	Comment
1.1, 1.3, 1.4	000850281.01	22in lightweight rear wheel, anodized finish, with quick-release axle and handrim (without tyre)	
1.1,1.5-1.6	000850270.01	24Inch Lightweight rear wheel, with quick-rlese axle(without tyres and handrim)	
1.2-1.4	000857130.01	24Inch tyre, Schwalbe one, cpl. (tyre, tube & tube protector)	
1.2-1.4	000857424	Downtown - Two grip 24in cpl. (tyre, tube & tube protector)	
1.2 - 1.4	000857225	22in x 1in tyre, Right Run (tyre, tube and rim tape)	
1.2	000857130	24Inch tyre, Schwalbe one	
1.2	000283037	24Inch Downtown - Two grip tyre	
-	000283036	24Inch tyre, Marathon Plus Evo, puncture resistance, rugged tread	
1.3	000283114-ET	22in x 1in inner tube	Pack of 10
1.3	000283113	24Inch inner tube	Pack of 10
1.3	000283111-ET	24Inch Inner tube, for Downtown - Two grip	Pack of 10
1.4	000283165-ET	24Inch Tube protector	Pack of 10

Lightweight Rear Wheel

Pos	Item number	Description	Comment
1.4	000283151-ET	22in rim tape	Pack of 10
1.4	000283160-ET	24Inch rim strip (17mm), for lightweight wheel	Pack of 10
1.5	000280009-ET	Spoke reflector, orange (used with lightweight and Proton rear wheel)	Pack of 10
1.6	000220299	Quick-release axle spinergy, design and light weight wheel, 99 mm	

Drum brakes Rear wheel with brake

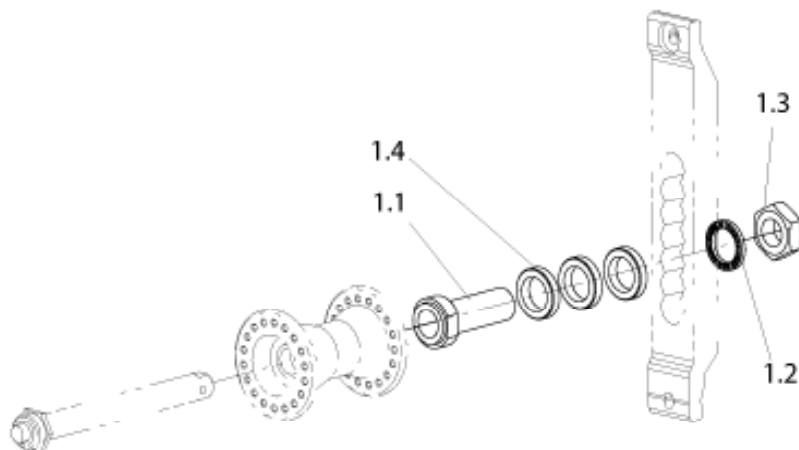


Pos	Item number	Description	Comment
1.1,1.5-2.3	000851412	22in complete drum brake wheel with brake holder and quick-release axle (tyre and torque supports must be ordered separately)	right
1.1,1.5-2.3	000751412	22in complete drum brake wheel with brake holder and quick-release axle (tyre and torque supports must be ordered separately)	left
1.1,1.5-1.6	000851368.02	22in spoke wheel with quick-release axle	
1.2-1.4	000857225	22in x 1in tyre, Right Run	
1.2	000283016.01	Tyre 22inx1in, Right Run	
1.3	000283114-ET	22in x 1in inner tube	Pack of 10
1.4	000283151-ET	22in rim tape	Pack of 10
1.1,1.5-2.3	000851414	24in complete drum brake wheel with brake holder and quick-release axle (tyre and torque supports must be ordered separately)	right
1.1,1.5-2.3	000751414	24in complete drum brake wheel with brake holder and quick-release axle (tyre and torque supports must be ordered separately)	left
1.1,1.5-1.6	000851369.02	24in spoke wheel with quick-release axle	
1.2-1.4	000857224.01	24in x 1in tyre cpl., Right Run (tyre, tube and tube protector)	

Drum brakes Rear wheel with brake

Pos	Item number	Description	Comment
1.2-1.4	000857424	24in x 1in Downtown - Two grip tyre	
-	000283015.01	24in x 1 3/8in solid tyre	
-	000283017	24in x 1in solid, soft tyre	
1.2	000283014.01	Tyre 24in x 1in, Right Run	
1.2	000283037	24in Downtown - Two grip tyre	
-	000283036	24in tyre, Marathon Plus Evo, puncture resistance, rugged tread	
1.3	000283113	24in x 1in pneumatic inner tube	
1.3	000283111-ET	24in pneumatic inner tube for Downtown - Two grip	Pack of 10
1.4	000283160-ET	24in rim tape for Downtown - Two grip (19 mm)	Pack of 10
1.6	000220230	Design quick-release axle for drum brakes	
2.1-2.3	000961080	Brake holder, grey coated	Pair
2.2	000138002-ET	Lock washer VS 16	Pack of 10
3.1	760861025	Torque supports	can be used right and left
1.5	000280001-ET	Spoke reflector	Pack of 10

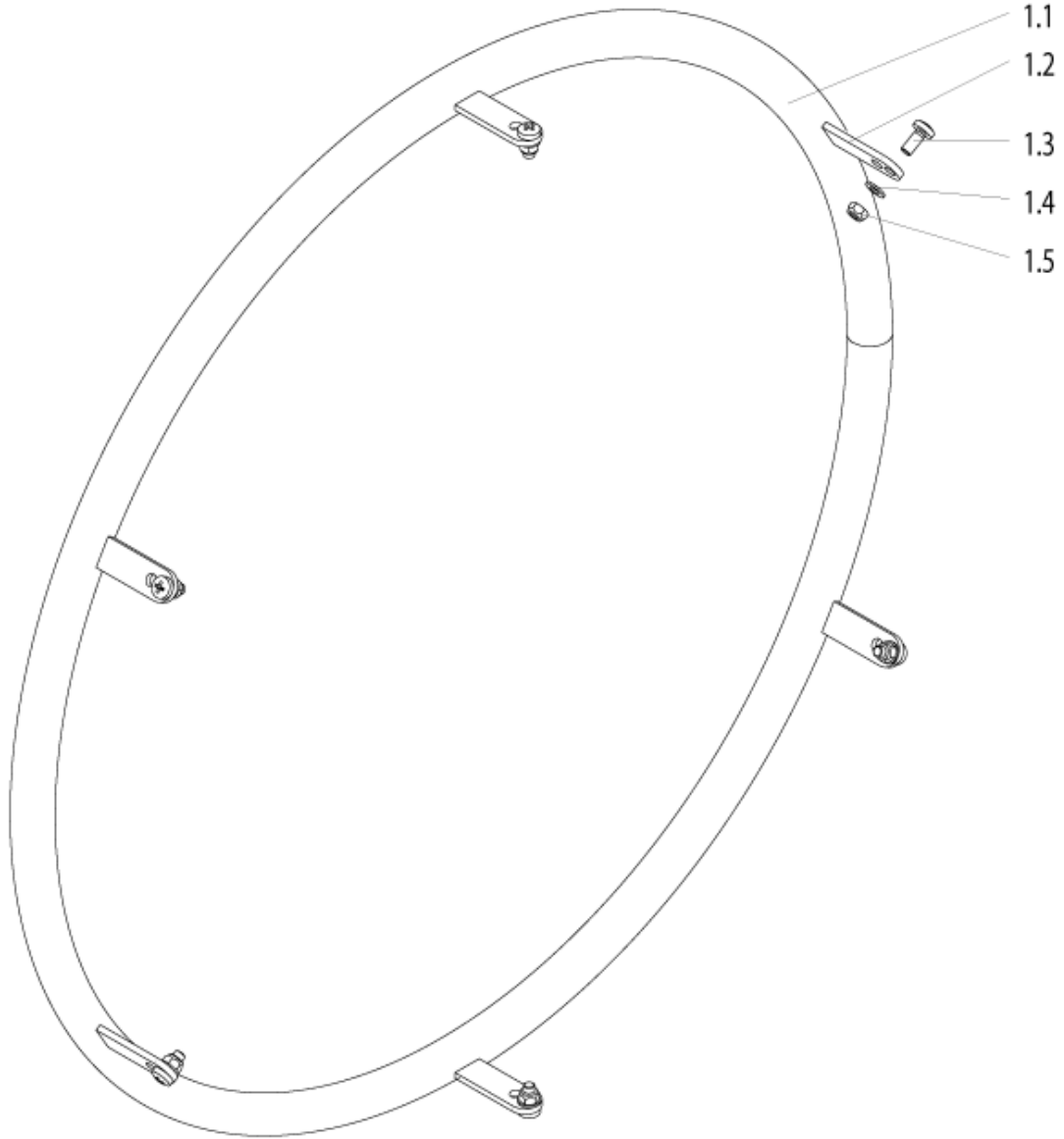
Screw-in Adapter



Pos	Item number	Description	Comment
1.1 - 1.4	000853013	Screw-in adapter, long, cpl. (with 3 spacer rings: 5 mm)	used with: desk sideguard and design rear wheel with 1° camber)
-	000210004-ET	Grooved ball bearing DIN 625	Pack of 10
1.2	000138002-ET	Lock washer VS 16	Pack of 10
1.3	000220256-ET	Hex nut M 16 x 1	Pack of 10
1.4	000851071-ET	Spacer ring 5 mm	Pack of 10

Handrim

Handrim



Pos	Item number	Description	Comment
1.1-1.5	000854035.24	24Inch aluminium handrim, central, colour-coated. Complete with fitting accessories	
1.1-1.5	000854024.22	22Inch handrim, stainless steel, complete, electropolished	
1.1-1.5	000854742	22Inch handrim, high Supergrip, complete, black	
1.1-1.5	000854534	24Inch handrim, Supergrip, complete, black	must not used with lightweight wheels

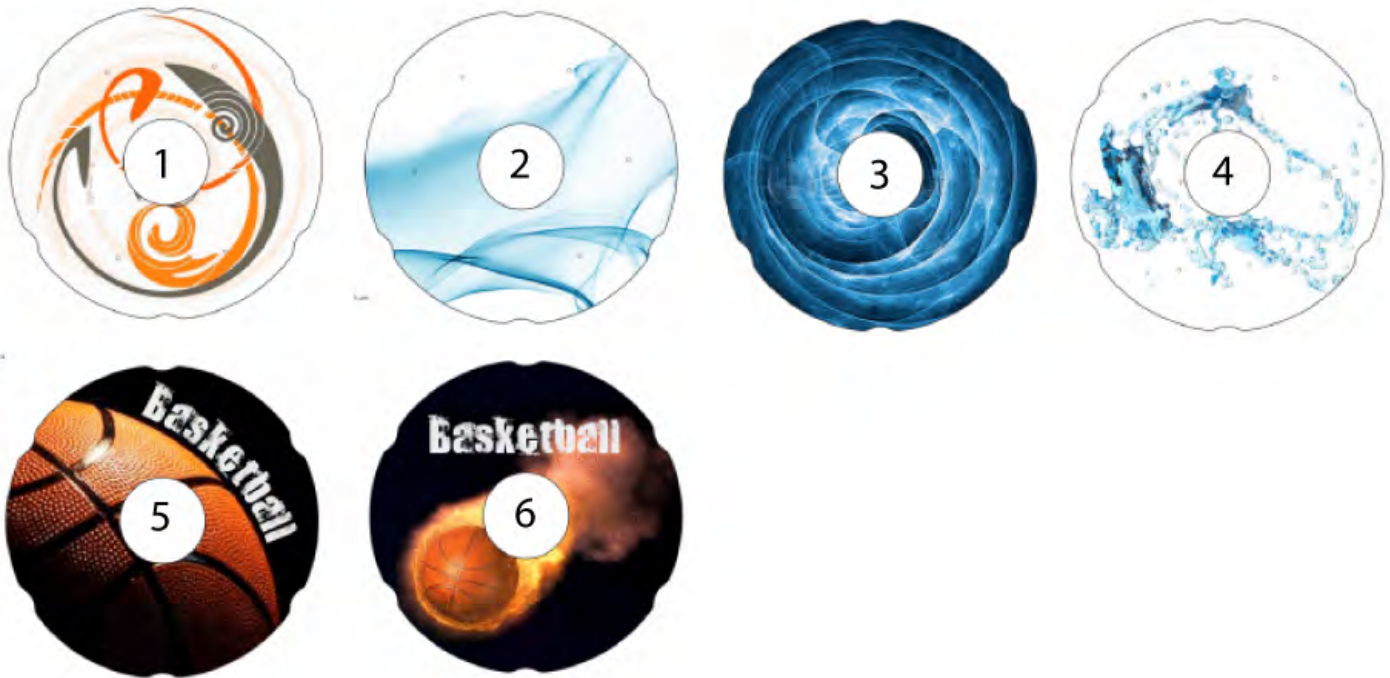
Pos	Item number	Description	Comment
1.1-1.5	066550-003	Lightweight handrim 24", aluminium, clear coated, incl. mounting accessories	only close-mount
1.1-1.5	066516-003-ET	Lightweight-handrim 24", Aluminium, anodized, incl. mounting accessories	only close-mount
1.1-1.5	066551-003	24Inch lightweight handrim, colour coated	lightweight wheels only
1.1-1.5	000854624.24	24Inch handrim, stainless steel, close-mount	
1.1-1.5	000854044	24Inch stainless steel handrim, electropolished cpl. with fitting accessories	
1.1-1.5	000854026.28	24Inch aluminium handrim, silveranodised. Complete with fitting accessories.	
1.1-1.5	000854026.30	24Inch handrim, aluminium anodized, clear coated	
1.1-1.5	000854900	Handrim 24 inch, Supergrip, black incl. mounting accessories	for Spinergy-, Proton- and lightweight wheel
1.2-1.5	000959906-ET	Fitting accessories for close-mount handrim	
1.2-1.5	000959908-ET	Fitting accessories for wide-mount handrim	
1.3	000102061-ET	Oval-head screws M5 x 12 DIN 7985	25 St./Pkg.
1.4	000128005.01-ET	Hex nut M 5 DIN 985	25 St./Pkg.
1.5	000130111-ET	Washer A5.3 DIN 125	25 St./Pkg.
-	000854513	22Inch handrim cover black	
-	000854514	24Inch handrim cover black	

Max Grepp Ergo Para hand rim



Pos	Item number	Description	Comment
1 - 2	062544	Handrim 24in Max Grepp Ergo Para hand rim, used for Universal wheel cpl. with mounting accessories	
1 - 2	062545	Handrim 24in Max Grepp Ergo Para hand rim, used for Proton- or Lightweight Rear Wheel cpl. with mounting accessories	
2	062546	Mounting accessories for Max Grepp Ergo Para hand rim, used for Universal rear wheel	
2	062547	Mounting accessories for Max Grepp Ergo Para hand rim, used for Proton- or Lightweight Rear Wheel	

Spoke guards, adults



Pos	Item number	Description	Comment
1	062551-021	Spoke guard 22in cpl., Creative	incl. Fasteners
2	062551-022	Spoke guard 22in cpl., Silk	incl. Fasteners
3	062551-023	Spoke guard 22in cpl., Space	incl. Fasteners
4	062551-024	Spoke guard 22in cpl., Flying Water	incl. Fasteners
5	062551-025	Spoke guard 22in cpl., Basketball	incl. Fasteners
6	062551-026	Spoke guard 22in cpl., Basketball 2	incl. Fasteners
1	062553-021	Spoke guard 24in cpl., Creative	incl. Fasteners
2	062553-022	Spoke guard 24in cpl., Silk	incl. Fasteners

Spoke guards, adults

Pos	Item number	Description	Comment
3	062553-023	Spoke guard 24in cpl., Space	incl. Fasteners
4	062553-024	Spoke guard 24in cpl., Flying Water	incl. Fasteners
5	062553-025	Spoke guard 24in cpl., Basketball	incl. Fasteners
6	062553-026	Spoke guard 24in cpl., Basketball 2	incl. Fasteners
-	000118004-ET	Fastener used with spoke guards	Pack of 25

Spoke guards, teens

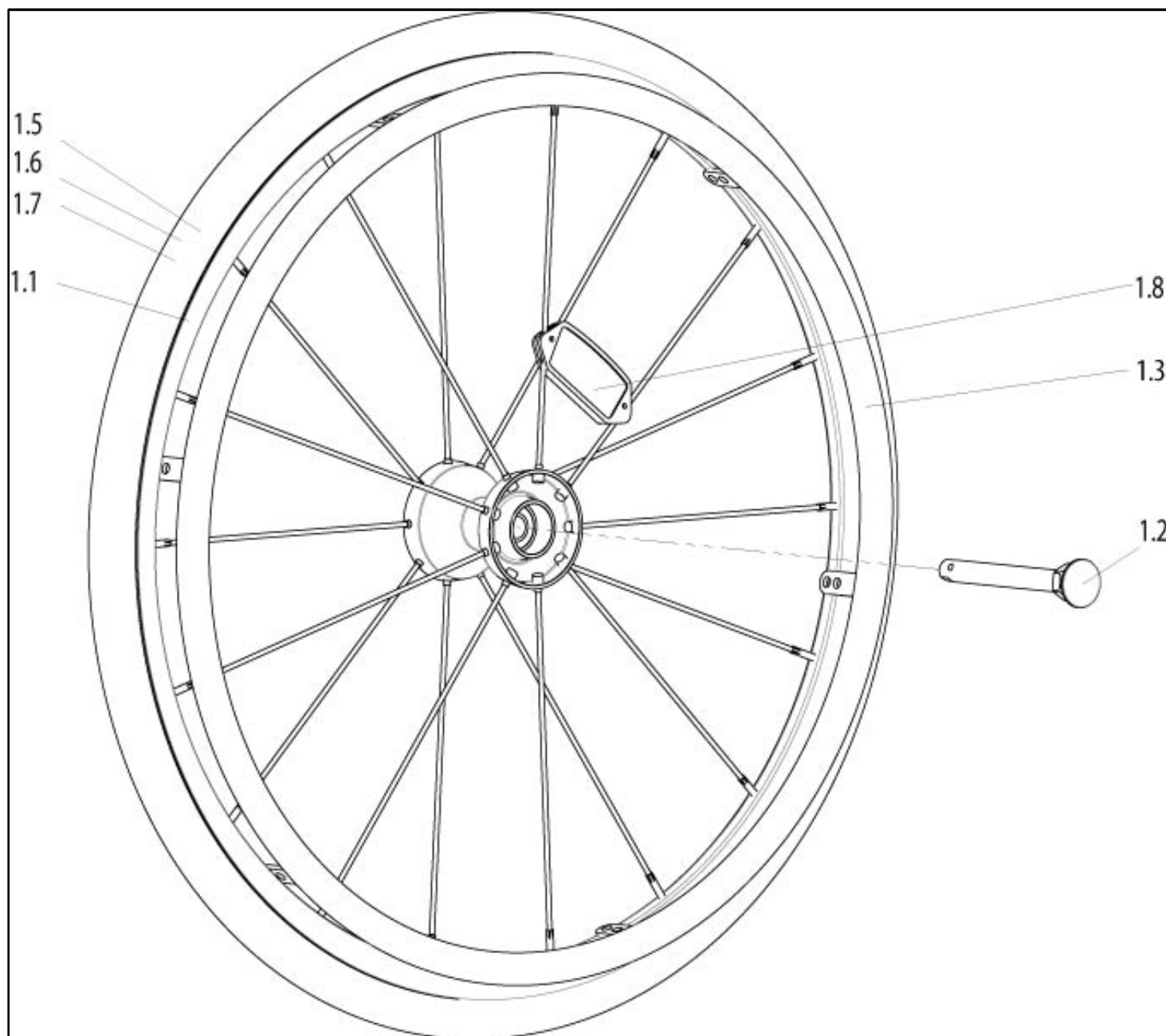


Pos	Item number	Description	Comment
1	062551-012	Spoke guard 22in cpl., Abstract	incl. Fasteners
2	062551-013	Spoke guard 22in cpl., Racing	incl. Fasteners
3	062551-014	Spoke guard 22in cpl., Pool	incl. Fasteners
4	062551-015	Spoke guard 22in cpl., Oriental	incl. Fasteners
5	062551-016	Spoke guard 22in cpl., Dirt Race	incl. Fasteners
6	062551-017	Spoke guard 22in cpl., Feather	incl. Fasteners
7	062551-018	Spoke guard 22in cpl., Hot Wheels	incl. Fasteners
8	062551-019	Spoke guard 22in cpl., Chrome Wheel	incl. Fasteners

Spoke guards, teens

Pos	Item number	Description	Comment
9	062551-020	Spoke guard 22in cpl., Graffiti	incl. Fasteners
1	062553-012	Spoke guard 24in cpl., Abstract	incl. Fasteners
2	062553-013	Spoke guard 24in cpl., Racing	incl. Fasteners
3	062553-014	Spoke guard 24in cpl., Pool	incl. Fasteners
4	062553-015	Spoke guard 24in cpl., Oriental	incl. Fasteners
5	062553-016	Spoke guard 24in cpl., Dirt Race	incl. Fasteners
6	062553-017	Spoke guard 24in cpl., Feather	incl. Fasteners
7	062553-018	Spoke guard 24in cpl., Hot Wheels	incl. Fasteners
8	062553-019	Spoke guard 24in cpl., Chrome Wheel	incl. Fasteners
9	062553-020	Spoke guard 24in cpl., Graffiti	incl. Fasteners
-	000118004-ET	Fastener used with spoke guards	Pack of 25
-	062553-033	Spoke guard 24in cpl., transparent	incl. Fasteners
-	062551-033	Spoke guard 22in cpl., transparent	incl. Fasteners

Spinergy wheel / handrim

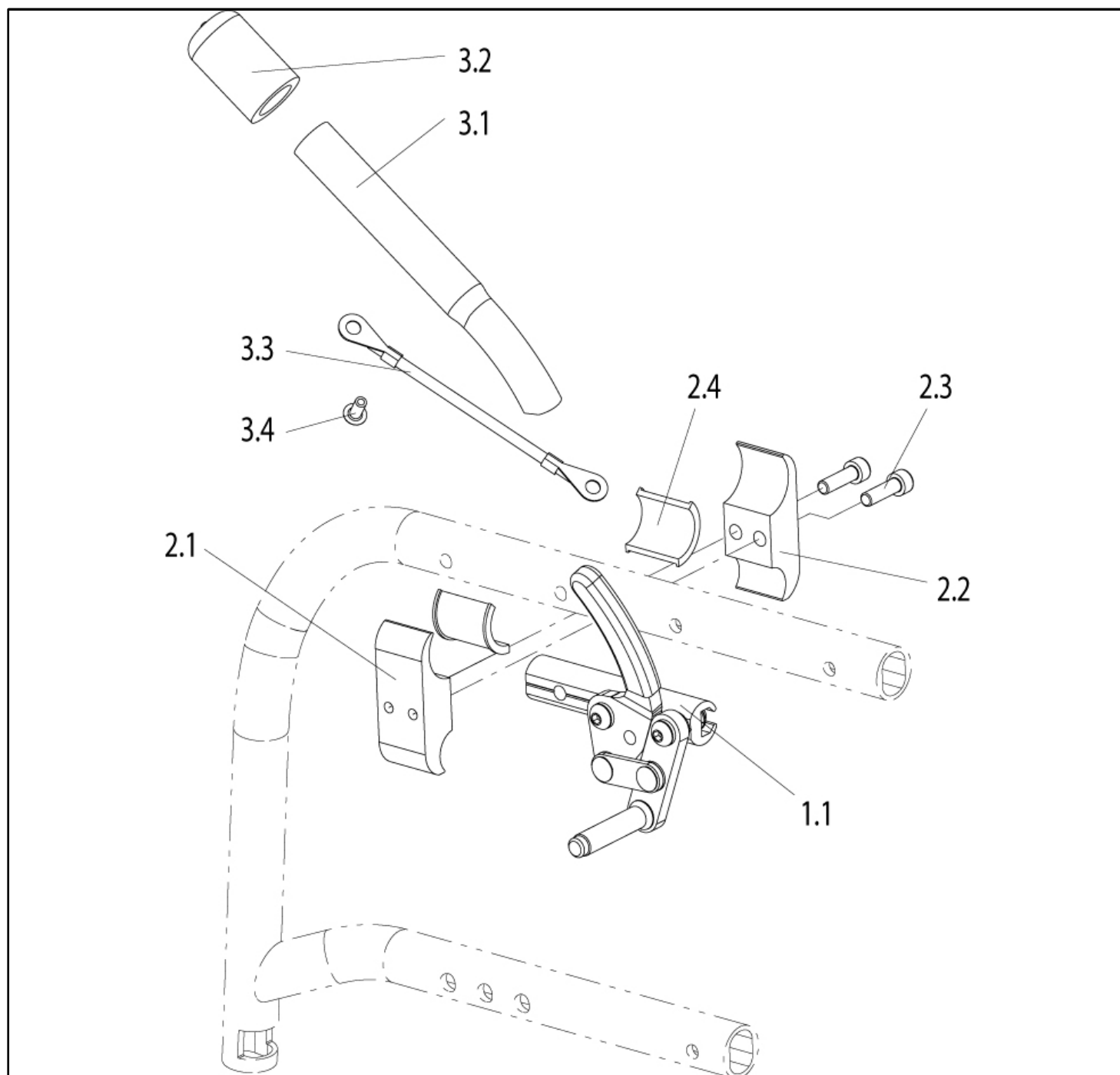


Pos	Item number	Description	Comment
1.1+1.6	762459.01	24 inch Spinergy rear wheel, 18 spokes (black) (without tyre and handrim)	
1.2	000220299	Quick-release axle for Design rear wheel	
1.3	066516-003-ET	Handrim 24 inch, Aluminium, anodized, incl. mounting accessories	only close mountable, for Spinergy-, Proton- and lightweight wheel
1.5 - 1.7	000857224.01	24 inch x 1 inch tyre cpl., Right Run (tyre, tube and tube protector)	

Spinergy wheel / handrim

Pos	Item number	Description	Comment
1.5 - 1.7	000857424	24 inch x 1 inch tyre Downtown - two grip complete (tyre, tube & tube protector)	
1.5	000283014.01	24 inchx1 inch tyre, Right Run	
1.5	000283017	24 inch x 1 inch, soft tyre, puncture proofed, black	
1.5	000283036	24 inch tyre, Marathon Plus Evo, puncture resistance, rugged tread	
1.5	000283037	24 inch Downtown - Two grip tyre	
1.5	000857130	24 inch x 1 inch tyre, Schwalbe one	
1.6	000283111-ET	24 inch pneumatic inner tube for Downtown - Two grip	10 pcs./pack
1.6	000283113	24 inch x 1 inch inner tube	
1.7	000283152-ET	24 inch tube protector	10 pcs./pack
1.7	000283160-ET	24 inch tube protector	10 pcs./pack
1.8	000280001-ET	Spoke reflector	10 pcs./pack

Push-to-Lock wheel lock

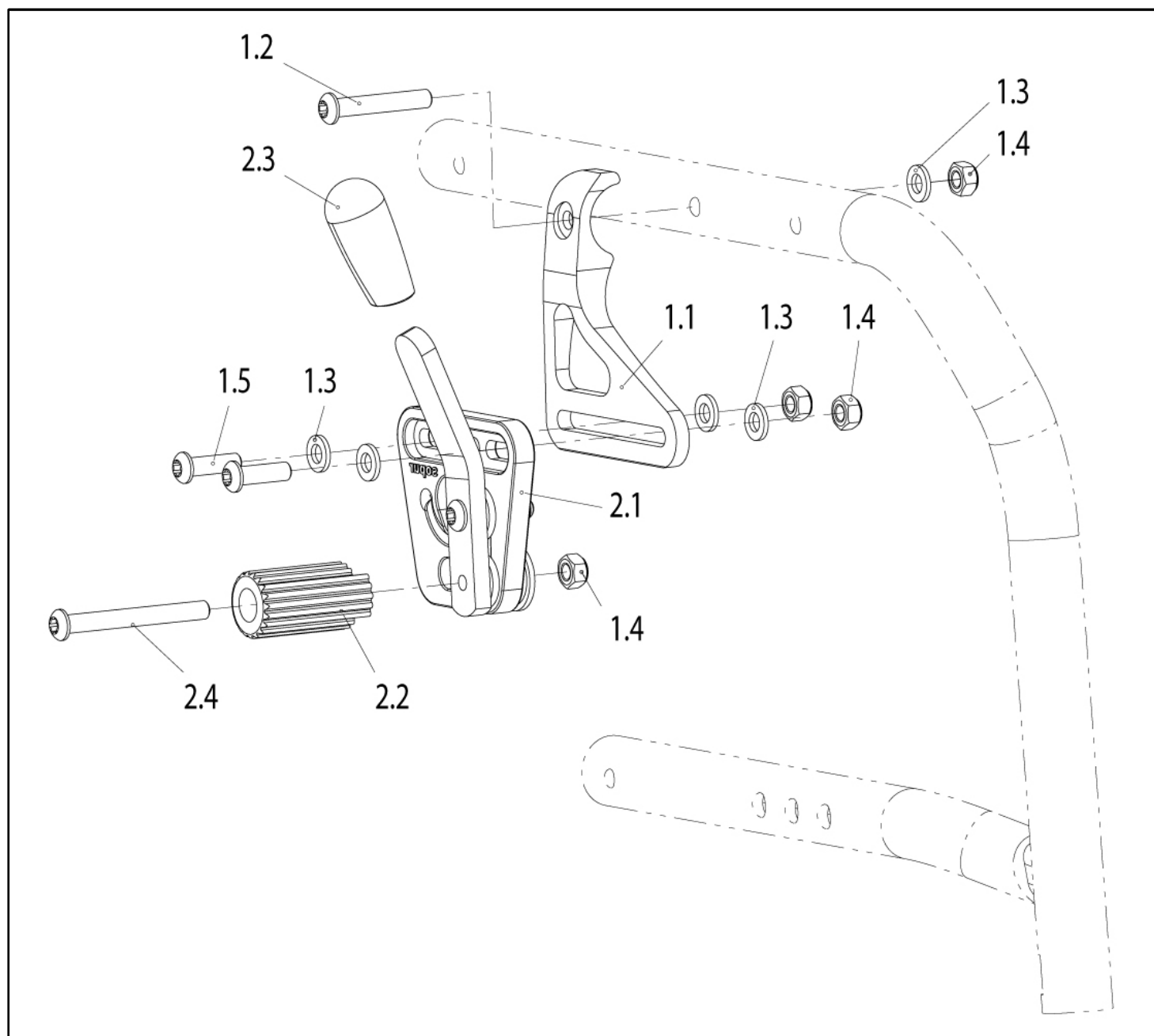


Pos	Item number	Description	Comment
1.1	104216-001	Push to Lock wheel lock	RH
1.1	104216-002	Push to Lock wheel lock	LH
1.1-2.4	84406101	Push to Lock wheel lock with fitting accessories complete	Pair
1.1-2.4	84406102	Push to Lock wheel lock with fitting accessories complete	LH
1.1-2.4	84406103	Push to Lock wheel lock with fitting accessories complete	RH
2.1-2.4	765861025	Frame fitting for brake, cpl.	LH&RH useable

Push-to-Lock wheel lock

Pos	Item number	Description	Comment
2.3	000102004-ET	Socket head - cap screw M 6 x 20 DIN 912	25 pcs./pack
3.1-3.4	104325-ET	Brake lever extension, complete	2 pcs./pack

Standard wheel lock

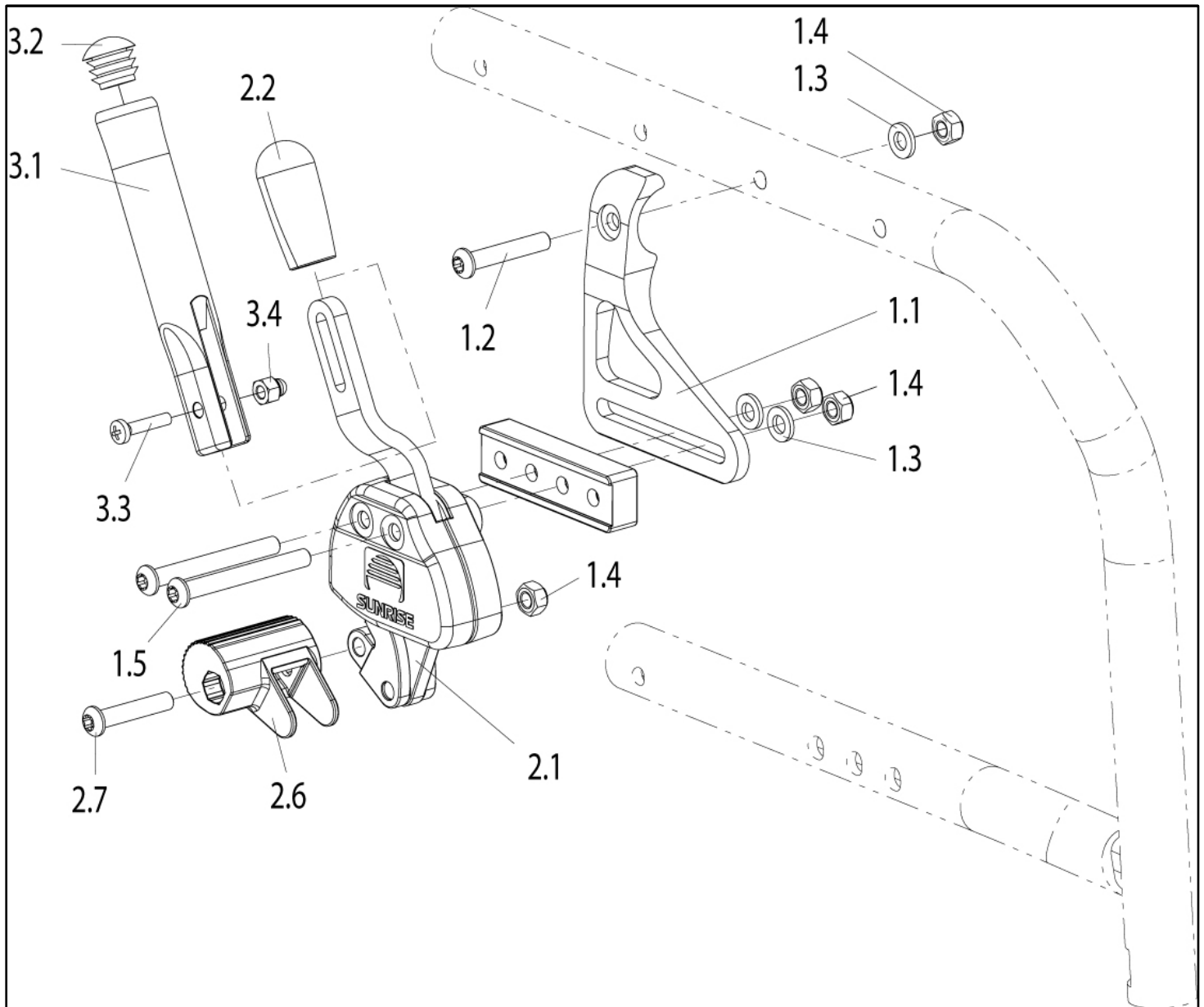


Pos	Item number	Description	Comment
1.1-2.4	84406110	Standard Brake with fitting accessories complete	Pair
1.1-1.5	84406111	Frame fitting for brake, cpl.	Pair
1.2	000102304.01-ET	Button head cap screw M 6 x 35 Torx-drive	25 pcs./pack
1.3	000130107-ET	Washer A 6.4 DIN 125	25 pcs./pack
1.4	000128007-ET	Hex nut M 6 DIN 985	25 pcs./pack
1.5	000102307.01-ET	Oval-head screw M 6 x 20 with Torx drive	25 pcs./pack
2.1-2.4, 1.4	760761050	Standard brake	left

Standard wheel lock

Pos	Item number	Description	Comment
2.1-2.4, 1.4	760861050	Standard brake	right
2.1-2.4, 1.4	760961050	Standard brakes, complete	Pair
2.2	760861027	Brake bolts, black, anodized	
2.3	000861156-ET	Cover cap for brake lever, black	5 pcs./pack
2.4	000102309.01-ET	Button head cap screw M 6 x 16, Torx	25 pcs./pack
-	000242040-ET	Side spring	right, pack of 2
-	000242041-ET	Side spring	left, pack of 2

Knee lever wheel lock with frame fitting

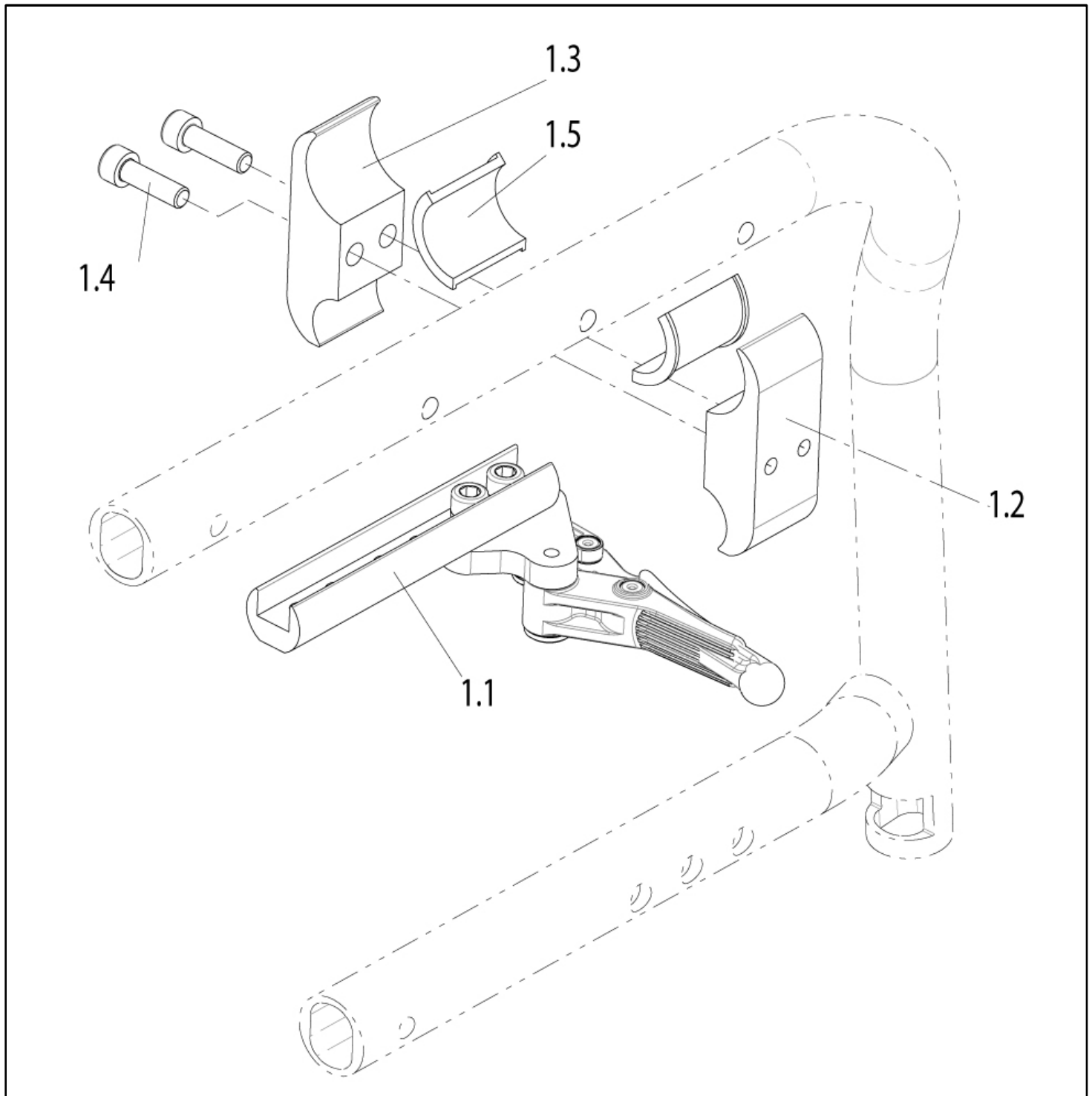


Pos	Item number	Description	Comment
1.1-1.5	84406121	Frame fitting for brake, cpl.	Pair
1.1-2.7	84406120	Knee lever brake with frame fitting, complete	Pair
1.2	000102304.01-ET	Button head cap screw M 6 x 35 Torx-drive	25 pcs./pack
1.3	000130007-ET	A 6.4 washer DIN 125	25 pcs./pack
1.4	000128007-ET	Hex nut M 6 DIN 985	25 pcs./pack
1.5	000102314.01-ET	Oval-head screw M 6 x 55 with Torx drive	25 pcs./pack
2.1, 2.6-2.8	000761250	Knee lever brake	left
2.1, 2.6-2.8	000861250	Knee lever brake	right

Knee lever wheel lock with frame fitting

Pos	Item number	Description	Comment
2.1, 2.6-2.8	000961250	Knee lever brakes	Pair
2.2	000861156-ET	Cover cap for brake lever, black	5 pcs./pack
2.6-2.8	000861252	Brake bolts cpl.	left/right useable
2.7	000102312.01-ET	oval-head screw M 6 x 32 with Torx drive	25 pcs./pack
3.1-3.3+1.4	000861253	Brake lever extension cpl.	Pair
3.3	000102066-ET	Oval-head screw M 5 x 20 DIN 7985	12 pcs./pack
3.4	000128006-ET	Cap nut M5 DIN 986	25 pcs./pack

Compact wheel lock

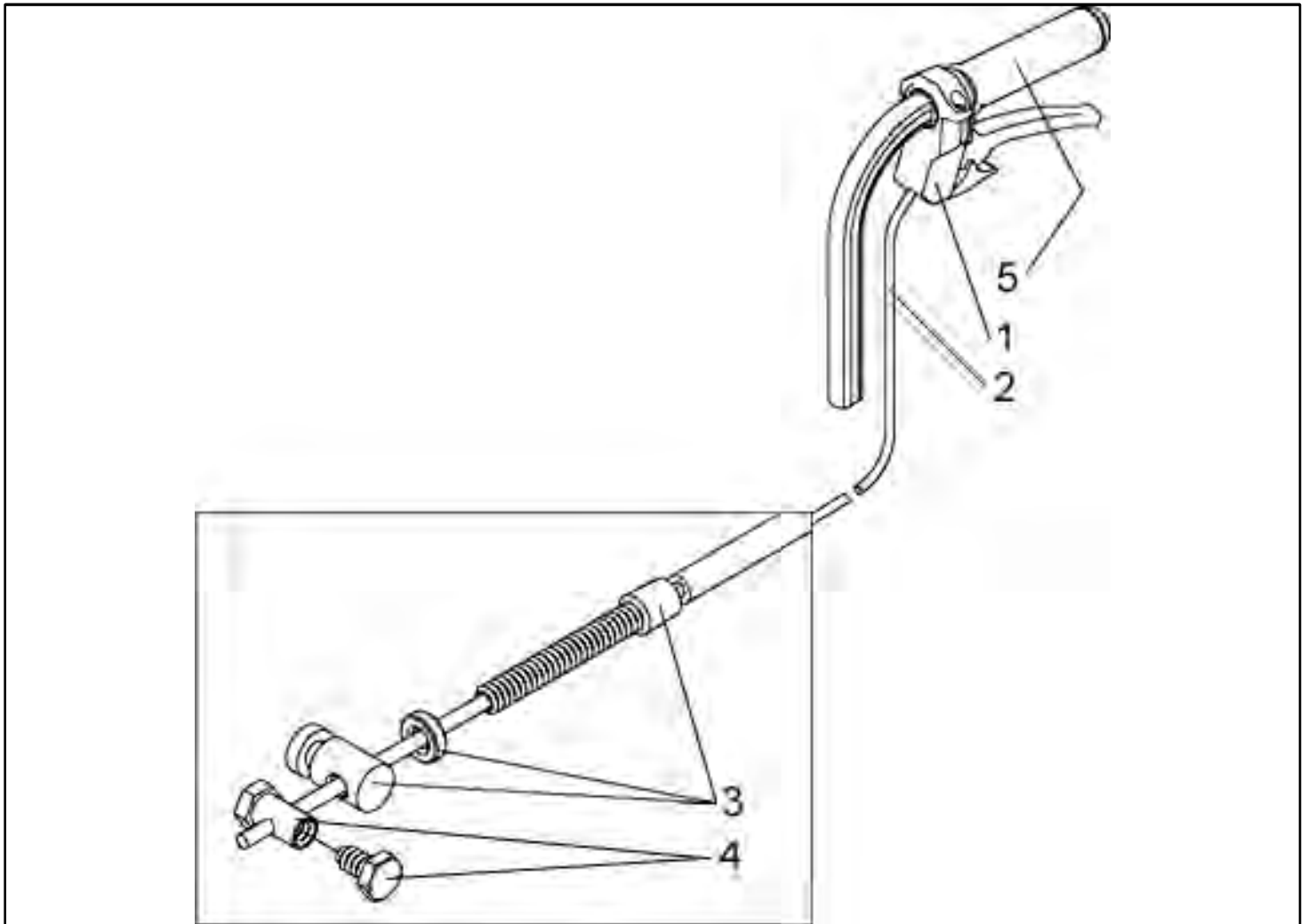


Pos	Item number	Description	Comment
1.1	066608-001	Compact wheel lock	left
1.1	066608-002	Compact wheel lock	right
1.1 - 1.5	765761015	Compact wheel lock with frame fitting, cpl.	left
1.1 - 1.5	765861015	Compact wheel lock with frame fitting, cpl.	right
1.1 - 1.5	765961015	Compact wheel lock with frame fittings, cpl.	Pair

Compact wheel lock

Pos	Item number	Description	Comment
1.2 - 1.5	765861025	Frame fitting for brake, cpl.	LH&RH useable
1.4	000102004-ET	Socket head - cap screw M 6 x 20 DIN 912	25 pcs./pack

Activation for Drum brake/ Quick release axle



Pos	Item number	Description	Comment
1-4	000861012-ET	Activation for drum brakes/quick-release axle, complete (standard back tube)	2 pcs./pack
1-4	000861014-ET	Activation for drum brake	2 pcs./pack
3-4	000228031	Accessories for cables	
1	000228022	Activation lever	
2	000228030	Cables	
4	760861017-ET	Sleeve nut with screw	pack of 10
5	71104051-001-ET	Handgrip used with drum brake push handle	pack of 10

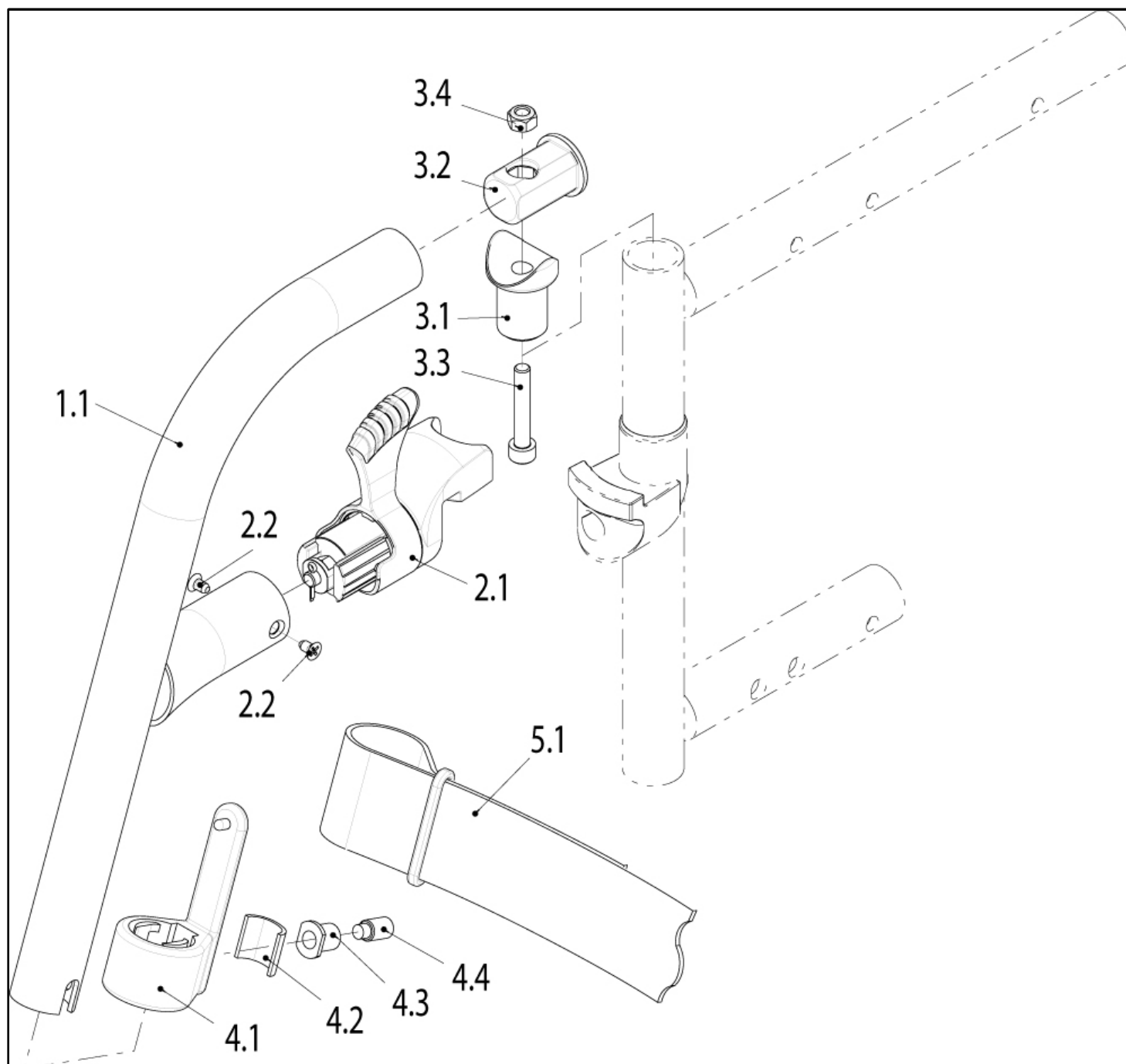
Footrest measuring overview

EASY Serie / series (160, 200/300, life, max)			
	Fußbrett, Kunststoff, durchgehend / Footboard, plastic, continuous	Fußbrett, Metall, geteilt / Footboard, metal, divided	Fußbrett, Metall, durchgehend / Footboard, metal, continuous
SB / SW	Fußbrettmaß / Footboard dimension (mm)		
38	157	106,3	257,6
40	157	106,3	277,6
42	182	116,3	297,6
44	182	116,3	317,6
46	207	146,3	337,6
48	207	146,3	357,6
50	207	146,3	377,6
52	207	146,3	397,6
54	207	146,3	NOGO

000691001

Pos	Item number	Description	Comment
-	000691001	Easy Serie (160, 200/300, Life, LifeR, max) Footboard measuring overview	

Aluminium hanger



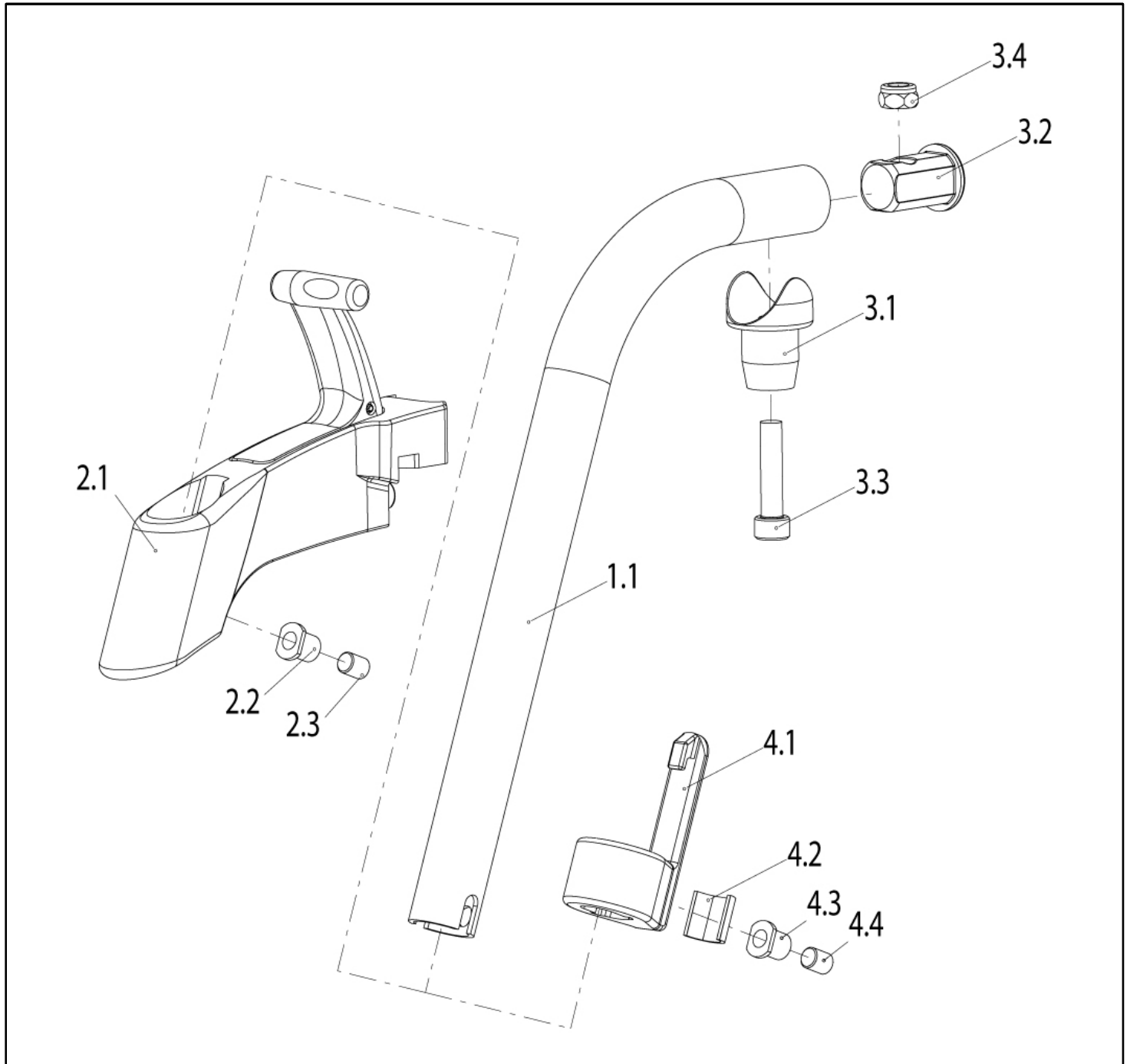
Pos	Item number	Description	Comment
1.1-4.4	072240-001	Hanger 70 degree complete brillantsilver (1 Side)	
1.1-4.4	072240-002	Hanger 80 degree complete brillantsilver (1Side)	
1.1-4.4	072242-001	Hanger 70 degree complete mattmarine (1 Side)	
1.1-4.4	072242-002	Hanger 80 degree complete mattmarine (1 Side)	
1.1-4.4	072243-001	Hanger 70 degree complete mattedred (1 Side)	
1.1-4.4	072243-002	Hanger 80 degree complete mattedred (1 Side)	
1.1-4.4	072244-001	Hanger 70 degree complete black Side)	

Aluminium hanger

Pos	Item number	Description	Comment
1.1-4.4	072244-002	Hanger 80 degree complete black Side)	
1.1-4.4	072245-001	Hanger 70 degree complete white (1 Side)	
1.1-4.4	072245-002	Hanger 80 degree complete white (1 Side)	
1.1-4.4	072250-001	Hanger 70 degree complete Marsred (1 Side)	
1.1-4.4	072250-002	Hanger 80 degree complete Marsred (1Side)	
1.1-4.4	072251-001	Hanger 70 degree complete Dark Chocolate Metallic (1 Side)	
1.1-4.4	072251-002	Hanger 80 degree complete Dark Chocolate Metallic (1 Side)	
1.1-4.4	072252-001	Hanger 70 degree complete Brilliant Lime (1 Side)	
1.1-4.4	072252-002	Hanger 80 degree complete Brilliant Lime (1 Side)	
1.1-4.4	072253-001	Hanger 70 degree complete Matt Anthracite (1 Side)	
1.1-4.4	072253-002	Hanger 80 degree complete Matt Anthracite (1 Side)	
1.1-4.4	072254-001	Hanger 70 degree complete Cyan-Metallic Side)	
1.1-4.4	072254-002	Hanger 80 degree complete Cyan-Metallic Side)	
2.2	000114007-ET	Countersunk screw 3,5x8 10.9	25 pcs./pack
3.1-3.4	76705022	Swing Away equipment cpl.	left/right useable
3.3	103496-007-ET	Cheese Head Screw DIN 912 M8 x 30	25 pcs./pack
3.4	000128018-ET	Hex nut - DIN 985 - M8	25 pcs./pack
4.1 - 4.4	76705023	Calf strap Bracket with Footrestclamp complete (1Side)	
4.2	064918	Push joint for footrest assembly	10 pcs./pack
4.3	76705024	Nut for footrest assembly	2 pcs./pack
4.4	066903-001-ET	Headless screw M8 x 16 DIN 915	25 pcs./pack
5.1	000813004	Calf strap SW 30 - 36 cm, complete	
5.1	000813006	Calf strap SW 38 - 54 cm, complete	
2.1-2.2	76705021	Locking mechanism complete	
1.1-4.4	07202001-001	Hanger Alu 70 Degree cpl. Mattsilver 450 (1 Side)	
1.1-4.4	07202002-001	Hanger Alu 70 Degree cpl. Silver (475) (1 Side)	
1.1-4.4	07202003-001	Hanger Alu 70 Degree cpl. Sun Yellow 1018 (1 Side)	
1.1-4.4	07202004-001	Hanger Alu 70 Degree cpl. Matt lime (456) (1 Side)	
1.1-4.4	07202005-001	Hanger Alu 70 Degree cpl. Blue (5005) (1 Side)	
1.1-4.4	07202006-001	Hanger Alu 70 Degree cpl. Brillant marine (426) (1 Side)	
1.1-4.4	07202007-001	Hanger Alu 70 Degree cpl. Ruby Red (3003) (1 Side)	
1.1-4.4	07202008-001	Hanger Alu 70 Degree cpl. Brillant Red (420) (1 Side)	
1.1-4.4	07202009-001	Hanger Alu 70 Degree cpl. Silver Texture (300) (1 Side)	
1.1-4.4	07202010-001	Hanger Alu 70 Degree cpl. Graphitmetallic 414 (1 Side)	
1.1-4.4	07202011-001	Hanger Alu 70 Degree cpl. Platinmetallic 314 (1 Side)	
1.1-4.4	07202012-001	Hanger Alu 70 Degree cpl. Matt black (9105) (1 Side)	
1.1-4.4	07202013-001	Hanger Alu 70 Degree cpl. Signal white (9003) (1 Side)	
1.1-4.4	07202014-001	Hanger Alu 70 Degree cpl. Pink (4010) (1 Side)	
1.1-4.4	07202015-001	Hanger Alu 70 Degree cpl. Sky Blue (319) (1 Side)	

Pos	Item number	Description	Comment
1.1-4.4	07202016-001	Hanger Alu 70 Degree cpl. Capuccino (320) (1 Side)	
1.1-4.4	07202017-001	Hanger Alu 70 Degree cpl. Kiwi (321) (1 Side)	
1.1-4.4	07202018-001	Hanger Alu 70 Degree cpl. Flamingo-Glitter (322) (1 Side)	
1.1-4.4	07202019-001	Hanger Alu 70 Degree cpl. Azuri Blue 424 (1 Side)	
1.1-4.4	07202020-001	Hanger Alu 70 Degree cpl. Mattpurple (454) (1 Seite)	
1.1-4.4	07202021-001	Hanger Alu 70 Degree cpl. Brilliantpurple (423) (1 Seite)	
1.1-4.4	07202001-002	Hanger Alu 80 Degree cpl. Mattsilver 450 (1 Side)	
1.1-4.4	07202002-002	Hanger Alu 80 Degree cpl. Silver (475) (1 Side)	
1.1-4.4	07202003-002	Hanger Alu 80 Degree cpl. Sun Yellow 1018 (1 Side)	
1.1-4.4	07202004-002	Hanger Alu 80 Degree cpl. Matt lime (456) (1 Side)	
1.1-4.4	07202005-002	Hanger Alu 80 Degree cpl. Blue (5005) (1 Side)	
1.1-4.4	07202006-002	Hanger Alu 80 Degree cpl. Brillant marine (426) (1 Side)	
1.1-4.4	07202007-002	Hanger Alu 80 Degree cpl. Ruby Red (3003) (1 Side)	
1.1-4.4	07202008-002	Hanger Alu 80 Degree cpl. Brillant Red (420) (1 Side)	
1.1-4.4	07202009-002	Hanger Alu 80 Degree cpl. Silver Texture (300) (1 Side)	
1.1-4.4	07202010-002	Hanger Alu 80 Degree cpl. Graphitmetallic 414 (1 Side)	
1.1-4.4	07202011-002	Hanger Alu 80 Degree cpl. Platinmetallic 314 (1 Side)	
1.1-4.4	07202012-002	Hanger Alu 80 Degree cpl. Matt black (9105) (1 Side)	
1.1-4.4	07202013-002	Hanger Alu 80 Degree cpl. Signal white (9003) (1 Side)	
1.1-4.4	07202014-002	Hanger Alu 80 Degree cpl. Pink (4010) (1 Side)	
1.1-4.4	07202015-002	Hanger Alu 80 Degree cpl. Sky Blue (319) (1 Side)	
1.1-4.4	07202016-002	Hanger Alu 80 Degree cpl. Capuccino (320) (1 Side)	
1.1-4.4	07202017-002	Hanger Alu 80 Degree cpl. Kiwi (321) (1 Side)	
1.1-4.4	07202018-002	Hanger Alu 80 Degree cpl. Flamingo-Glitter (322) (1 Side)	
1.1-4.4	07202019-002	Hanger Alu 80 Degree cpl. Azuri Blue 424 (1 Side)	
1.1-4.4	07202020-002	Hanger Alu 80 Degree cpl. Mattpurple (454) (1 Seite)	
1.1-4.4	07202021-002	Hanger Alu 80 Degree cpl. Brilliantpurple (423) (1 Seite)	
1.1-4.4	072241-002	Hanger Alu 80 Degree cpl. Tutti Frutti Orange (2009) (1 Side)	
1.1-4.4	072241-001	Hanger Alu 70 Degree cpl. Tutti Frutti Orange (2009) (1 Side)	

Composite hanger version 70°



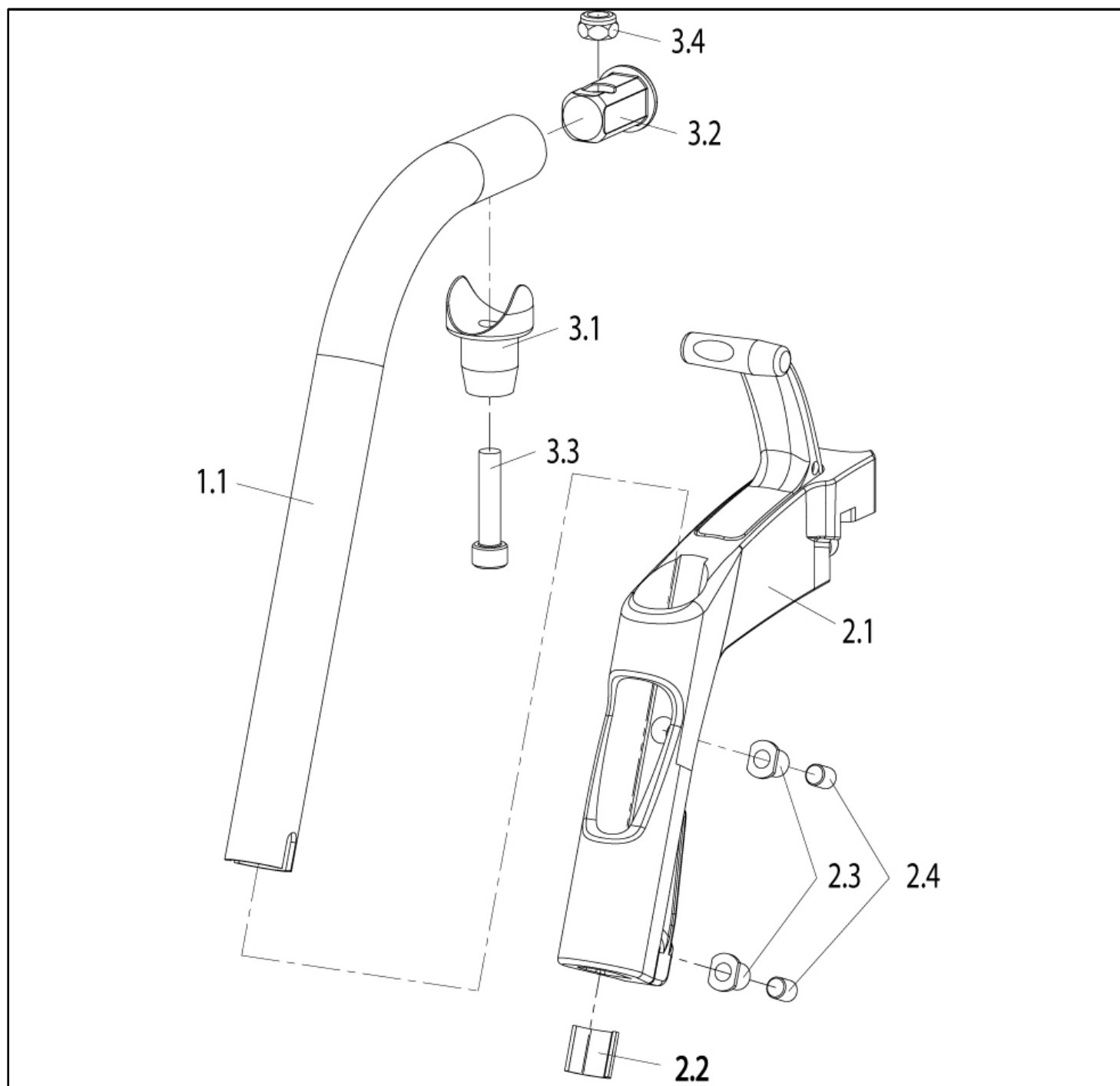
Pos	Item number	Description	Comment
1.1-4.4	072260-001	Plastic Hanger complete left, 70° brilliantsilver	
1.1-4.4	072260-002	Plastic Hanger complete right, 70° brilliantsilver	
1.1-4.4	072262-001	Plastic Hanger complete left, 70° mattmarine	
1.1-4.4	072262-002	Plastic Hanger complete right, 70° mattmarine	
1.1-4.4	072263-001	Plastic Hanger complete left, 70° matted	
1.1-4.4	072263-002	Plastic Hanger complete right, 70° matted	

Pos	Item number	Description	Comment
1.1-4.4	072264-001	Plastic Hanger complete left, 70° black	
1.1-4.4	072264-002	Plastic Hanger complete right, 70° black	
1.1-4.4	072265-001	Plastic Hanger complete left, 70° white	
1.1-4.4	072265-002	Plastic Hanger complete right, 70° white	
1.1-4.4	072280-001	Plastic Hanger complete left, 70° Marsred	
1.1-4.4	072280-002	Plastic Hanger complete right, 70° Marsred	
1.1-4.4	072281-001	Plastic Hanger complete left, 70° Dark Chocolate Metallic	
1.1-4.4	072281-002	Plastic Hanger complete right, 70° Dark Chocolate Metallic	
1.1-4.4	072282-001	Plastic Hanger complete left, 70° Brilliant Lime	
1.1-4.4	072282-002	Plastic Hanger complete right, 70° Brilliant Lime	
1.1-4.4	072283-001	Plastic Hanger complete left, 70° Matt Anthracite	
1.1-4.4	072283-002	Plastic Hanger complete right, 70° Matt Anthracite	
1.1-4.4	072284-001	Plastic Hanger complete left, 70° Cyan-Metallic	
1.1-4.4	072284-002	Plastic Hanger complete right, 70° Cyan-Metallic	
2.1-2.3	067929-001	Hanger Housing 70° complete left	
2.1-2.3	067929-002	Hanger Housing 70° complete right	
3.1-3.4	072208	Hanger Pin complete	
4.1-4.4	76705023	Calf strap Bracket with Footrestclamp complete (1Side)	
1.1-4.4	07202201-001	Plastic Hanger complete left, 70° MattSilver (450)	
1.1-4.4	07202202-001	Plastic Hanger complete left, 70° Silver (475)	
1.1-4.4	07202203-001	Plastic Hanger complete left, 70° Sun Yellow 1018	
1.1-4.4	07202204-001	Plastic Hanger complete left, 70° Matt lime (456)	
1.1-4.4	07202205-001	Plastic Hanger complete left, 70° blue (5005)	
1.1-4.4	07202206-001	Plastic Hanger complete left, 70° Brillant marine	
1.1-4.4	07202207-001	Plastic Hanger complete left, 70° Ruby red (3003)	
1.1-4.4	07202208-001	Plastic Hanger complete left, 70° Brillant red(420)	
1.1-4.4	07202209-001	Plastic Hanger complete left, 70° Silver texture(300)	
1.1-4.4	07202210-001	Plastic Hanger complete left, 70° Graphitmetallic414	
1.1-4.4	07202211-001	Plastic Hanger complete left, 70° Platinmetallic 314	
1.1-4.4	07202212-001	Plastic Hanger complete left, 70° Matt black(9005)	
1.1-4.4	07202213-001	Plastic Hanger complete left, 70° Signal withe(9003)	
1.1-4.4	07202214-001	Plastic Hanger complete left, 70° Pink (4010)	
1.1-4.4	07202215-001	Plastic Hanger complete left, 70° Sky Blue (319)	
1.1-4.4	07202216-001	Plastic Hanger complete left, 70° Capuccino (320)	
1.1-4.4	07202217-001	Plastic Hanger complete left, 70° Kiwi (321)	
1.1-4.4	07202218-001	Plastic Hanger complete left, 70° FlamingoGlitter322	
1.1-4.4	07202219-001	Plastic Hanger complete left, 70° Azuri Blue 424	
1.1-4.4	07202220-001	Plastic Hanger complete left, 70° Mattpurple (454)	
1.1-4.4	07202221-001	Plastic Hanger complete left, 70° Brilliantpurple (423)	

Composite hanger version 70°

Pos	Item number	Description	Comment
1.1-4.4	07202201-002	Plastic Hanger complete right, 70° MattSilver (450)	
1.1-4.4	07202202-002	Plastic Hanger complete right, 70° Silver (475)	
1.1-4.4	07202203-002	Plastic Hanger complete right, 70° Sun Yellow 1018	
1.1-4.4	07202204-002	Plastic Hanger complete right, 70° Matt lime (456)	
1.1-4.4	07202205-002	Plastic Hanger complete right, 70° blue (5005)	
1.1-4.4	07202206-002	Plastic Hanger complete right, 70° Brillant marine	
1.1-4.4	07202207-002	Plastic Hanger complete right, 70° Ruby red (3003)	
1.1-4.4	07202208-002	Plastic Hanger complete right, 70° Brillant red(420)	
1.1-4.4	07202209-002	Plastic Hanger complete right, 70° Silver texture(300)	
1.1-4.4	07202210-002	Plastic Hanger complete right, 70° Graphitmetallic414	
1.1-4.4	07202211-002	Plastic Hanger complete right, 70° Platinmetallic 314	
1.1-4.4	07202212-002	Plastic Hanger complete right, 70° Matt black(9005)	
1.1-4.4	07202213-002	Plastic Hanger complete right, 70° Signal withe(9003)	
1.1-4.4	07202214-002	Plastic Hanger complete right, 70° Pink (4010)	
1.1-4.4	07202215-002	Plastic Hanger complete right, 70° Sky Blue (319)	
1.1-4.4	07202216-002	Plastic Hanger complete right, 70° Capuccino (320)	
1.1-4.4	07202217-002	Plastic Hanger complete right, 70° Kiwi (321)	
1.1-4.4	07202218-002	Plastic Hanger complete right, 70° FlamingoGlitter322	
1.1-4.4	07202219-002	Plastic Hanger complete right, 70° Azuri Blue 424	
1.1-4.4	07202220-002	Plastic Hanger complete right, 70° Mattpurple (454)	
1.1-4.4	07202221-002	Plastic Hanger complete right, 70° Brilliantpurple (423)	

Composite hanger Version 80°



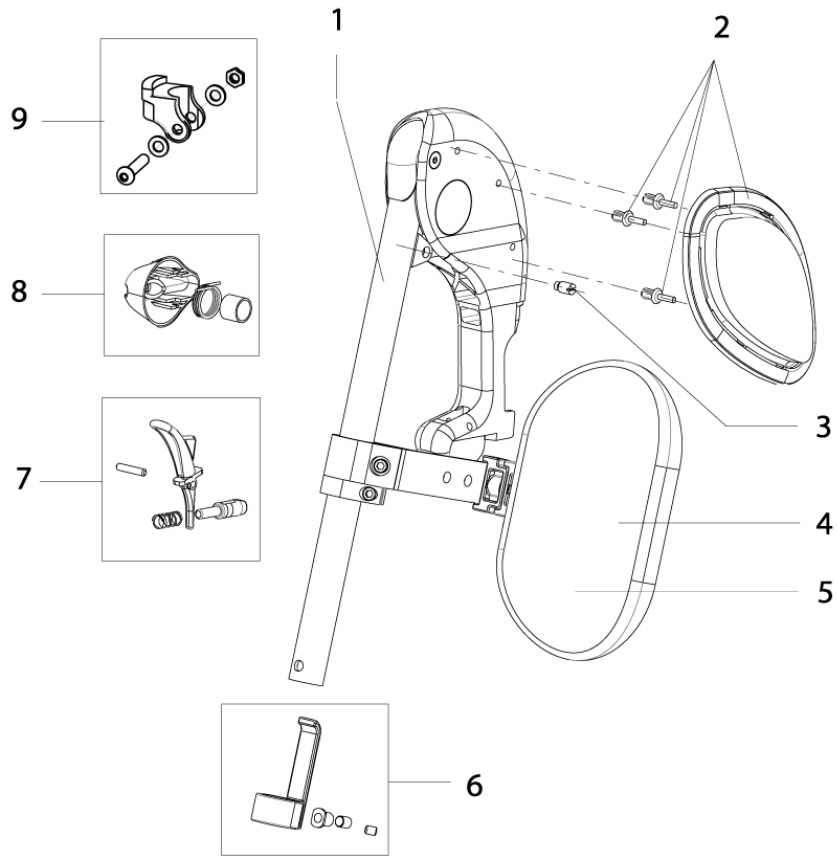
Pos	Item number	Description	Comment
1.1-3.4	072270-001	Plastic Hanger complete left, 80° silver	
1.1-3.4	072270-002	Plastic Hanger complete right, 80° silver	
1.1-3.4	072272-001	Plastic Hanger complete left, 80° mattmarine	
1.1-3.4	072272-002	Plastic Hanger complete right, 80° mattmarine	
1.1-3.4	072273-001	Plastic Hanger complete left, 80° matted	
1.1-3.4	072273-002	Plastic Hanger complete right, 80° matted	

Composite hanger Version 80°

Pos	Item number	Description	Comment
1.1-3.4	072274-001	Plastic Hanger complete left, 80° black	
1.1-3.4	072274-002	Plastic Hanger complete right, 80° black	
1.1-3.4	072275-001	Plastic Hanger complete left, 80° white	
1.1-3.4	072275-002	Plastic Hanger complete right, 80° white	
1.1-3.4	072290-001	Plastic Hanger complete left, 80° Marsred	
1.1-3.4	072290-002	Plastic Hanger complete right, 80° Marsred	
1.1-3.4	072291-001	Plastic Hanger complete left, 80° Dark Chocolate Metallic	
1.1-3.4	072291-002	Plastic Hanger complete right, 80° Dark Chocolate Metallic	
1.1-3.4	072292-001	Plastic Hanger complete left, 80° Brilliant Lime	
1.1-3.4	072292-002	Plastic Hanger complete right, 80° Brilliant Lime	
1.1-3.4	072293-001	Plastic Hanger complete left, 80° Matt Anthracite	
1.1-3.4	072293-002	Plastic Hanger complete right, 80° Matt Anthracite	
1.1-3.4	072294-001	Plastic Hanger complete left, 80° Cyan-Metallic	
1.1-3.4	072294-002	Plastic Hanger complete right, 80° Cyan-Metallic	
2.1-2.4	065205-001	Hanger Housing 80° complete right	
2.1-2.4	065205-002	Hanger Housing 80° complete left	
3.1-3.4	072208	Hanger Pin complete	
1.1-3.4	07202101-001	Plastic Hanger complete left, 80° MattSilver (450)	
1.1-3.4	07202102-001	Plastic Hanger complete left, 80° Silver (475)	
1.1-3.4	07202103-001	Plastic Hanger complete left, 80° Sun Yellow 1018	
1.1-3.4	07202104-001	Plastic Hanger complete left, 80° Matt lime (456)	
1.1-3.4	07202105-001	Plastic Hanger complete left, 80° blue (5005)	
1.1-3.4	07202106-001	Plastic Hanger complete left, 80° Brillant marine	
1.1-3.4	07202107-001	Plastic Hanger complete left, 80° Ruby red (3003)	
1.1-3.4	07202108-001	Plastic Hanger complete left, 80° Brillant red (420)	
1.1-3.4	07202109-001	Plastic Hanger complete left, 80° Silver texture (300)	
1.1-3.4	07202110-001	Plastic Hanger complete left, 80° Graphitmetallic414	
1.1-3.4	07202111-001	Plastic Hanger complete left, 80° Platinmetallic 314	
1.1-3.4	07202112-001	Plastic Hanger complete left, 80° Matt black(9005)	
1.1-3.4	07202113-001	Plastic Hanger complete left, 80° Signal withe(9003)	
1.1-3.4	07202114-001	Plastic Hanger complete left, 80° Pink (4010)	
1.1-3.4	07202115-001	Plastic Hanger complete left, 80° Sky Blue (319)	
1.1-3.4	07202116-001	Plastic Hanger complete left, 80° Capuccino (320)	
1.1-3.4	07202117-001	Plastic Hanger complete left, 80° Kiwi (321)	
1.1-3.4	07202118-001	Plastic Hanger complete left, 80° FlamingoGlitter322	
1.1-3.4	07202119-001	Plastic Hanger complete left, 80° Azuri Blue 424	
1.1-3.4	07202120-001	Plastic Hanger complete left, 80° Mattpurple(454)	
1.1-3.4	07202121-001	Plastic Hanger complete left, 80° Brilliantpurple (423)	
1.1-3.4	07202101-002	Plastic Hanger complete right, 80° MattSilver (450)	

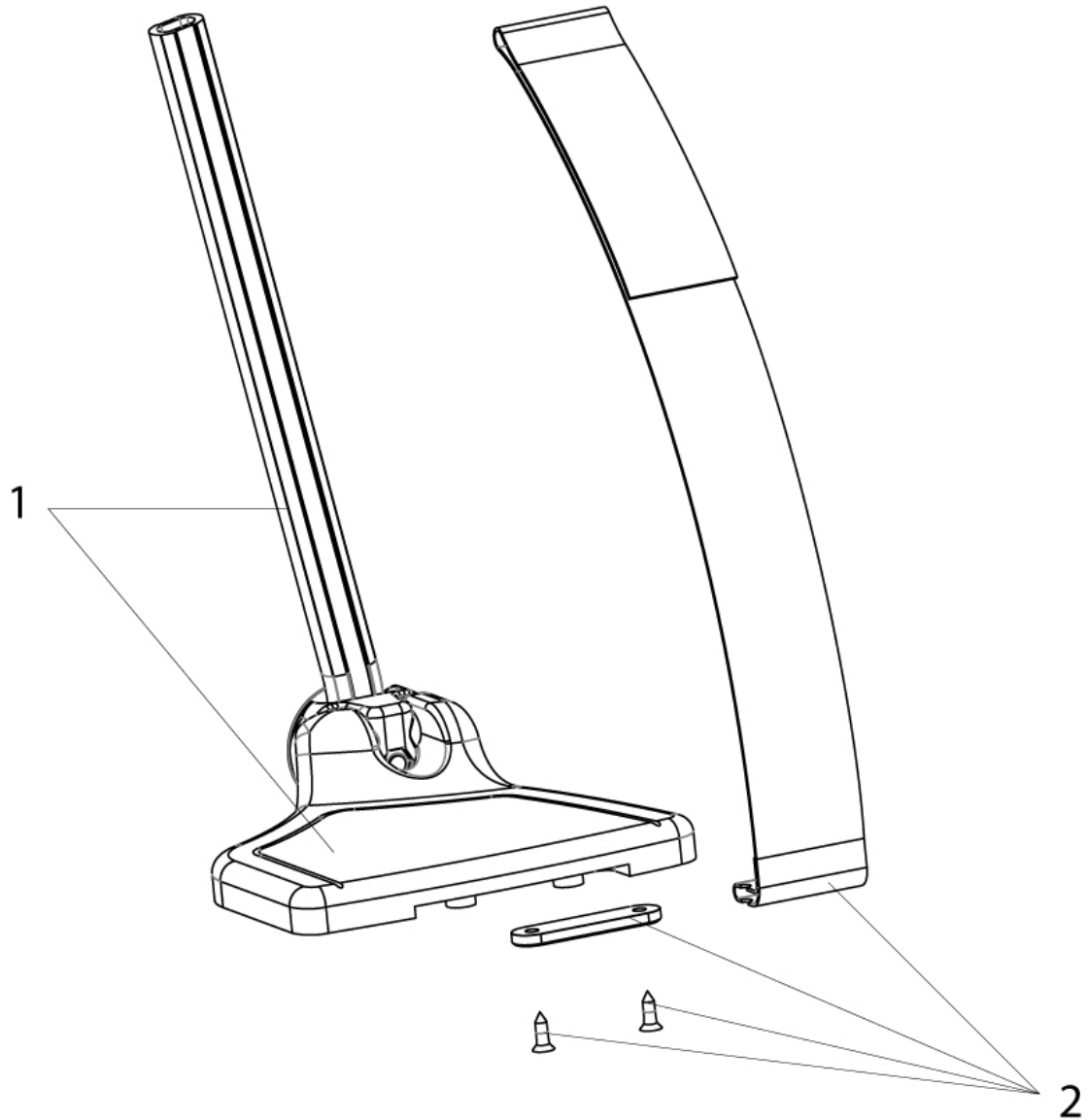
Pos	Item number	Description	Comment
1.1-3.4	07202102-002	Plastic Hanger complete right, 80° Silver (475)	
1.1-3.4	07202103-002	Plastic Hanger complete right, 80° Sun Yellow 1018	
1.1-3.4	07202104-002	Plastic Hanger complete right, 80° Matt lime (456)	
1.1-3.4	07202105-002	Plastic Hanger complete right, 80° blue (5005)	
1.1-3.4	07202106-002	Plastic Hanger complete right, 80° Brillant marine	
1.1-3.4	07202107-002	Plastic Hanger complete right, 80° Ruby red (3003)	
1.1-3.4	07202108-002	Plastic Hanger complete right, 80° Brillant red(420)	
1.1-3.4	07202109-002	Plastic Hanger complete right, 80° Silver texture(300)	
1.1-3.4	07202110-002	Plastic Hanger complete right, 80° Graphitmetallic414	
1.1-3.4	07202111-002	Plastic Hanger complete right, 80° Platinmetallic 314	
1.1-3.4	07202112-002	Plastic Hanger complete right, 80° Matt black(9005)	
1.1-3.4	07202113-002	Plastic Hanger complete right, 80° Signal withe(9003)	
1.1-3.4	07202114-002	Plastic Hanger complete right, 80° Pink (4010)	
1.1-3.4	07202115-002	Plastic Hanger complete right, 80° Sky Blue (319)	
1.1-3.4	07202116-002	Plastic Hanger complete right, 80° Capuccino (320)	
1.1-3.4	07202117-002	Plastic Hanger complete right, 80° Kiwi (321)	
1.1-3.4	07202118-002	Plastic Hanger complete right, 80° FlamingoGlitter322	
1.1-3.4	07202119-002	Plastic Hanger complete right, 80° Azuri Blue 424	
1.1-3.4	07202120-002	Plastic Hanger complete right, 80° Mattpurple(454)	
1.1-3.4	07202121-002	Plastic Hanger complete right, 80° Brilliantpurple (423)	

Elevating Leg Rest ELR



Pos	Item number	Description	Comment
-	072230	ELR-Footrest (w/o footplate)	Pair
-	072231	ELR-Footrest (w/o footplate)	LH
1 - 9	072232	ELR-Footrest (w/o footplate)	RH
2	064766-000-ET	Knee pad	Pair
3	064855-ET	Headless screw	10 pcs./pack
4 - 5	064924	Calf pad with cover	
4	064927	Calf pad cover	
6	069942	Clamp used with footrest (incl. mounting accessories)	Pair
7	069940	Release lever cpl.	
8	069941	Release mechanism	
9	072126	Mounting accessories used with ELR	LH/RH useable

Divided angle adjustable footplate, composite

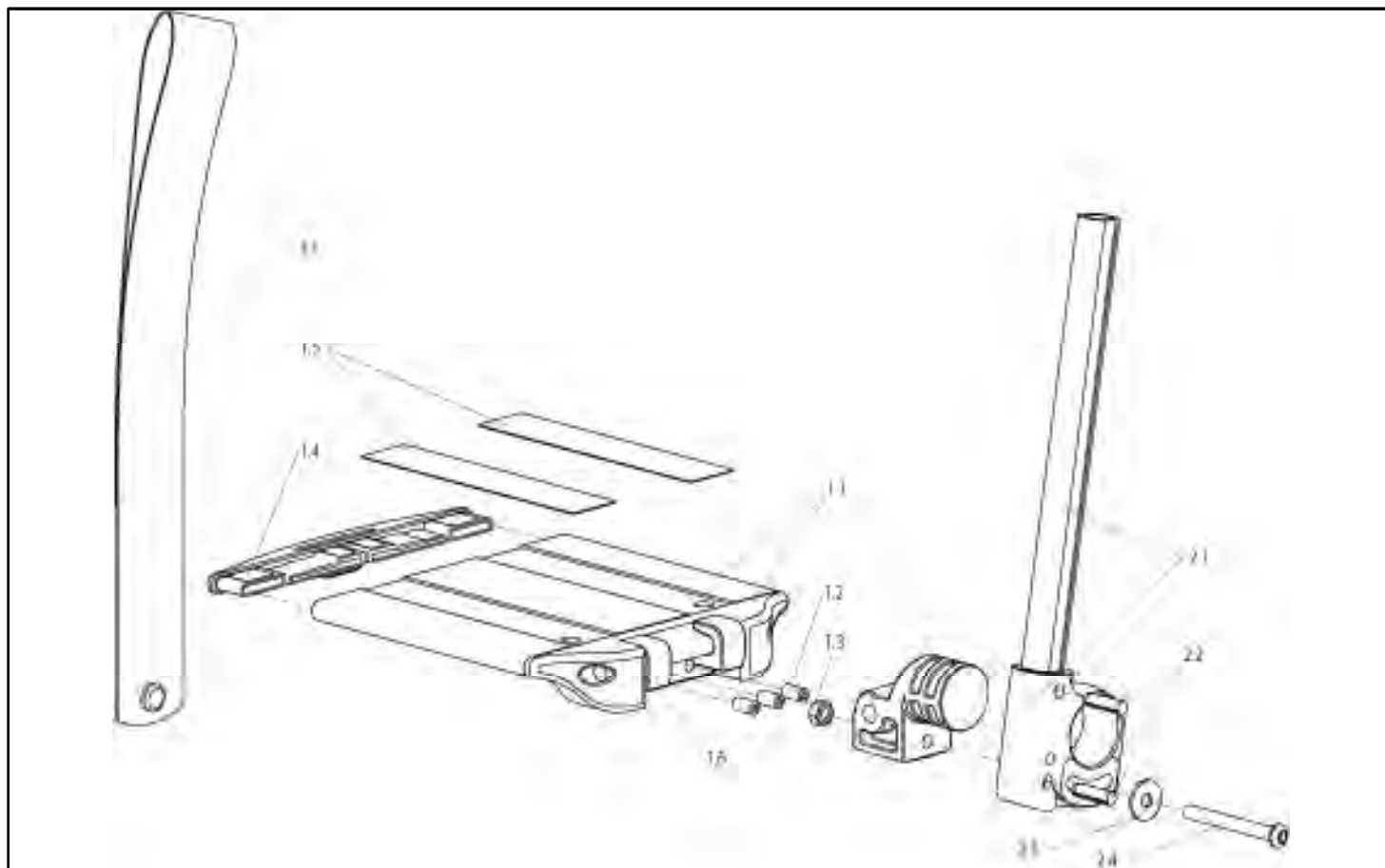


Pos	Item number	Description	Comment
-	84405111-011	Plastic footplate 157 mm (with heel band & extention tube - 0 inset: SW 36-40, 2 inset: SW 40-44)	left
-	84405111-012	Plastic footplate 182 mm (with heel band & extention tube - 0 inset: SW 42-46, 2 inset: SW 46-48)	left
-	84405111-013	Plastic footplate 207 mm (with heel band & extention tube - 0 inset: SW 48)	left
1 - 2	84405111-021	Plastic footplate 157 mm (with heel band & extention tube - 0 inset: SW 36-40, 2 inset: SW 40-44)	right

Divided angle adjustable footplate, composite

Pos	Item number	Description	Comment
1 - 2	84405111-022	Plastic footplate 182 mm (with heel band & extention tube - 0 inset: SW 42-46, 2 inset: SW 46-48)	right
1 - 2	84405111-023	Plastic footplate 207 mm (with heel band & extention tube - 0 inset: SW 48)	right
-	84405111-101	Plastic footplate 157 mm (with heel band & extention tube - 0 inset: SW 36-40, 2 inset: SW 40-44)	Pair
-	84405111-102	Plastic footplate 182 mm (with heel band & extention tube - 0 inset: SW 42-46, 2 inset: SW 46-48)	Pair
-	84405111-103	Plastic footplate 207 mm (with heel band & extention tube - 0 inset: SW 48)	Pair
2	064914	Heel loop cpl.	

Divided footplate, angle and depth adj., aluminium

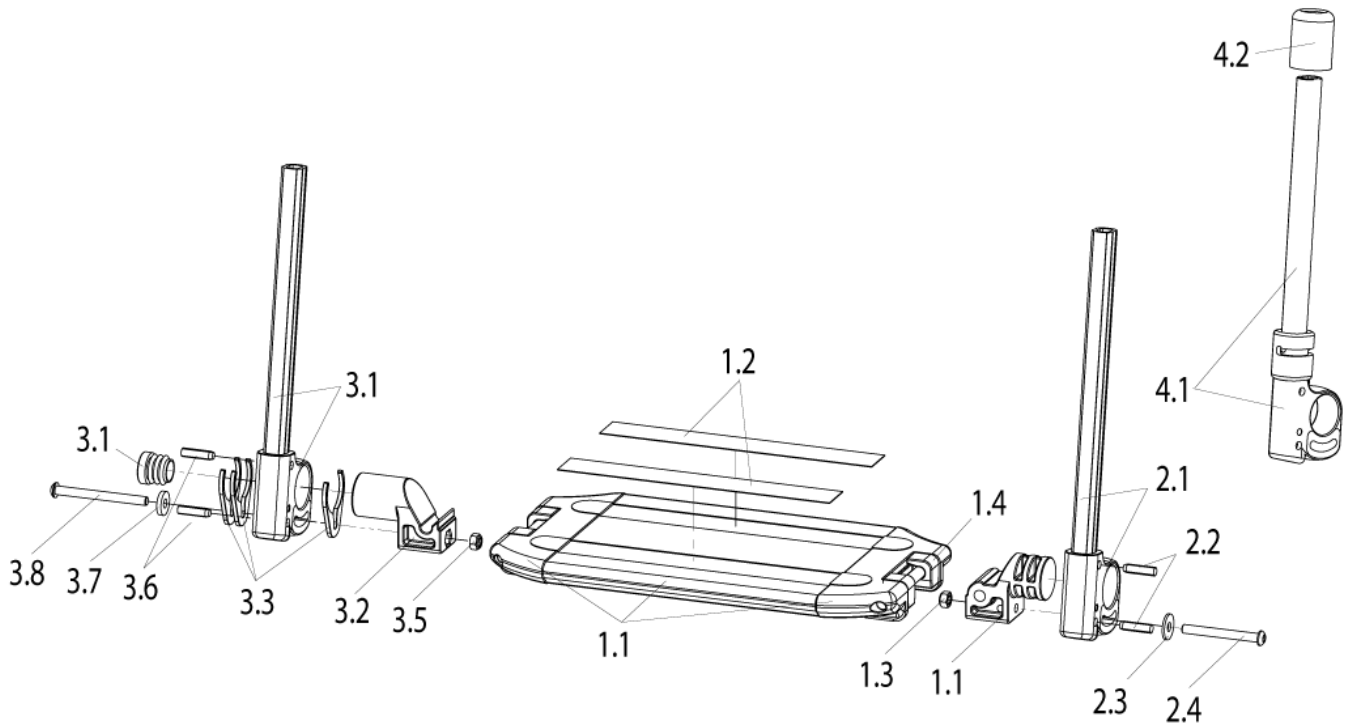


Pos	Item number	Description	Comment
1.1-3.1	762920110	Divided footrest with metal footplate and calf strap, complete, angle-adjustable	Pair
1.1-3.1	762820110	Divided footrest with metal footplate and calf strap, complete, angle-adjustable	RH
1.1-3.1	762720110	Divided footrest with metal footplate and calf strap, complete, angle-adjustable	LH
1.1-1.5	760824150	Divided Footboard without tube	
1.2	000105003-ET	Stud bolt M 6 x 12 DIN 916	Pack of 12
1.3	000128007-ET	Hex nut M 6 DIN 985	Pack of 25
1.4	054212	Tube Cap	
1.5	000821167	Slip resistant coating (only available by the meter. Please indicate quantity)	per meter
1.6	760824032-ET	Clamp for footboard adjustment	Pack of 12
2.1-2.4	054200-312	Footrest tube with receiver cpl.	can be used right & left
2.2	000154012-ET	Pin 6 x 22 DIN 1473	Pack of 10
2.3	000130121-ET	Washer A 6,4 DIN 7349	Pack of 25
2.4	000102314.01-ET	Oval-head screw M 6 x 55 with Torx drive	Pack of 25

Divided footplate, angle and depth adj., aluminium

Pos	Item number	Description	Comment
3.1	760824031	Calf strap	can be used right & left

Platform footplate, angle and depth adj., aluminium

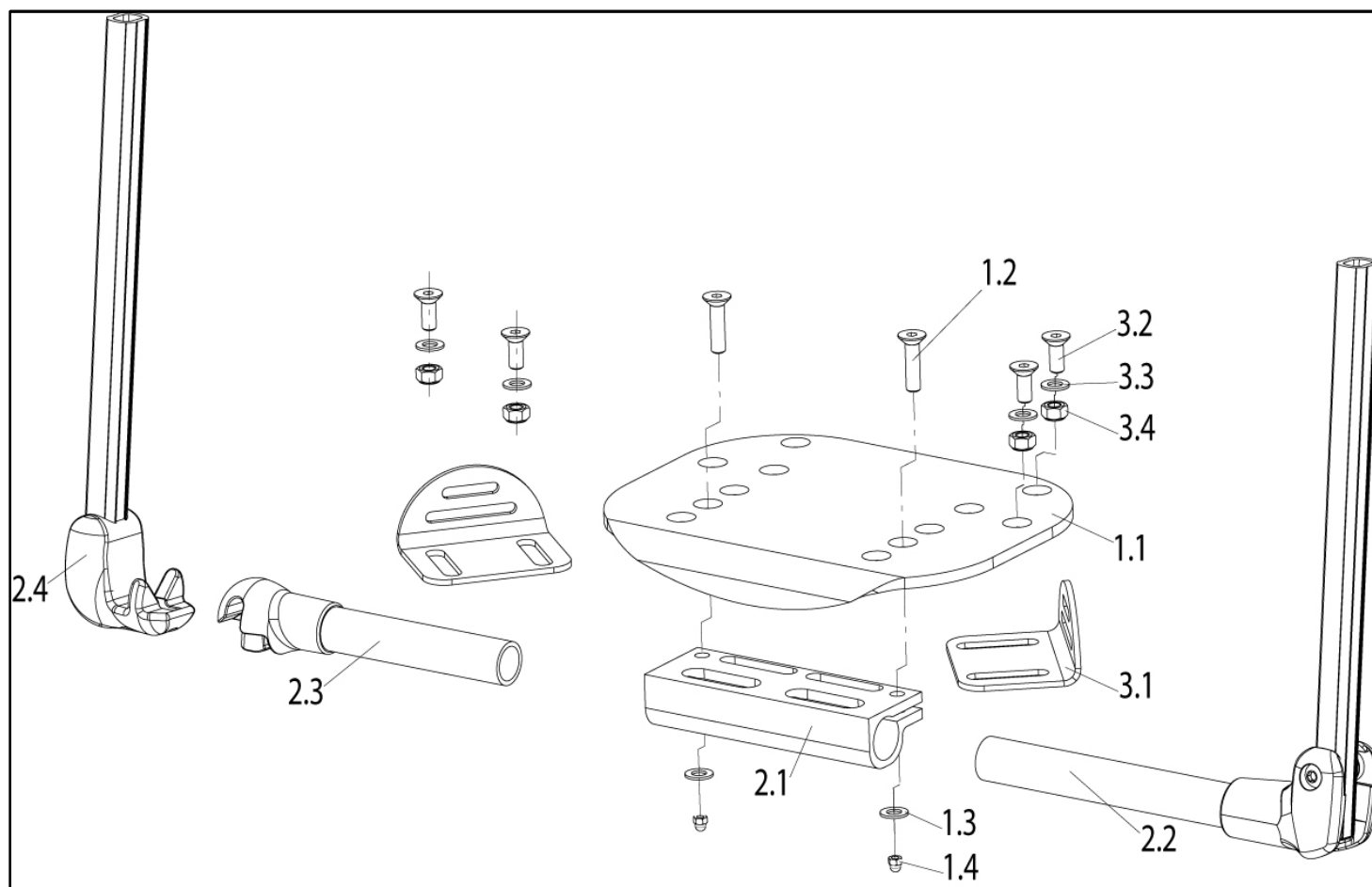


Pos	Item number	Description	Comment
1.1-3.8	84405110-000	Continuous Footboard, angle adjustable, aluminium cpl.	
1.1-1.4	762824147	Continuous Footboard, angle adjustable , metal	
1.2	000821167	Slip resistant coating (Only available by the metre. Please indicate quantity)	by meter
1.3	000128007-ET	Hex nut M 6 DIN 985	Pack of 25
1.4	760824032-ET	Clamp for footboard adjustment	Pack of 12
2.1-2.4	054200-312	Footrest tube with receiver cpl.	can be used right & left
2.2	000154012-ET	Pin 6 x 22 DIN 1473	Pack of 10
2.3	000130121-ET	Washer A 6,4 DIN 7349	Pack of 25
2.4	000104019-ET	Lens head screw M6 x 55, ISO 7380	25 pieces/pack
3.1-3.8	068200-110	Tube with adapter cpl.	
3.2-3.8	068833	Adapter kpl.	

Platform footplate, angle and depth adj., aluminium

Pos	Item number	Description	Comment
3.3	068233-ET	Distance for length adjustment	6 pcs/pack
3.5	000128007-ET	Nut M6 DIN 985	
3.6	000154012-ET	Pin 6 x 22 DIN 1473	Pack of 6
3.7	000130121-ET	Washer A6,4 DIN 7349	Pack of 25
3.8	066900-011	Screw M6x65 - ISO7380	Pack of 25
4.1+4.2	054234-500	Footrest extension tube with swing-away mechanism cpl.	
4.2	000282097-ET	PVC cover cap	6 pcs./pack

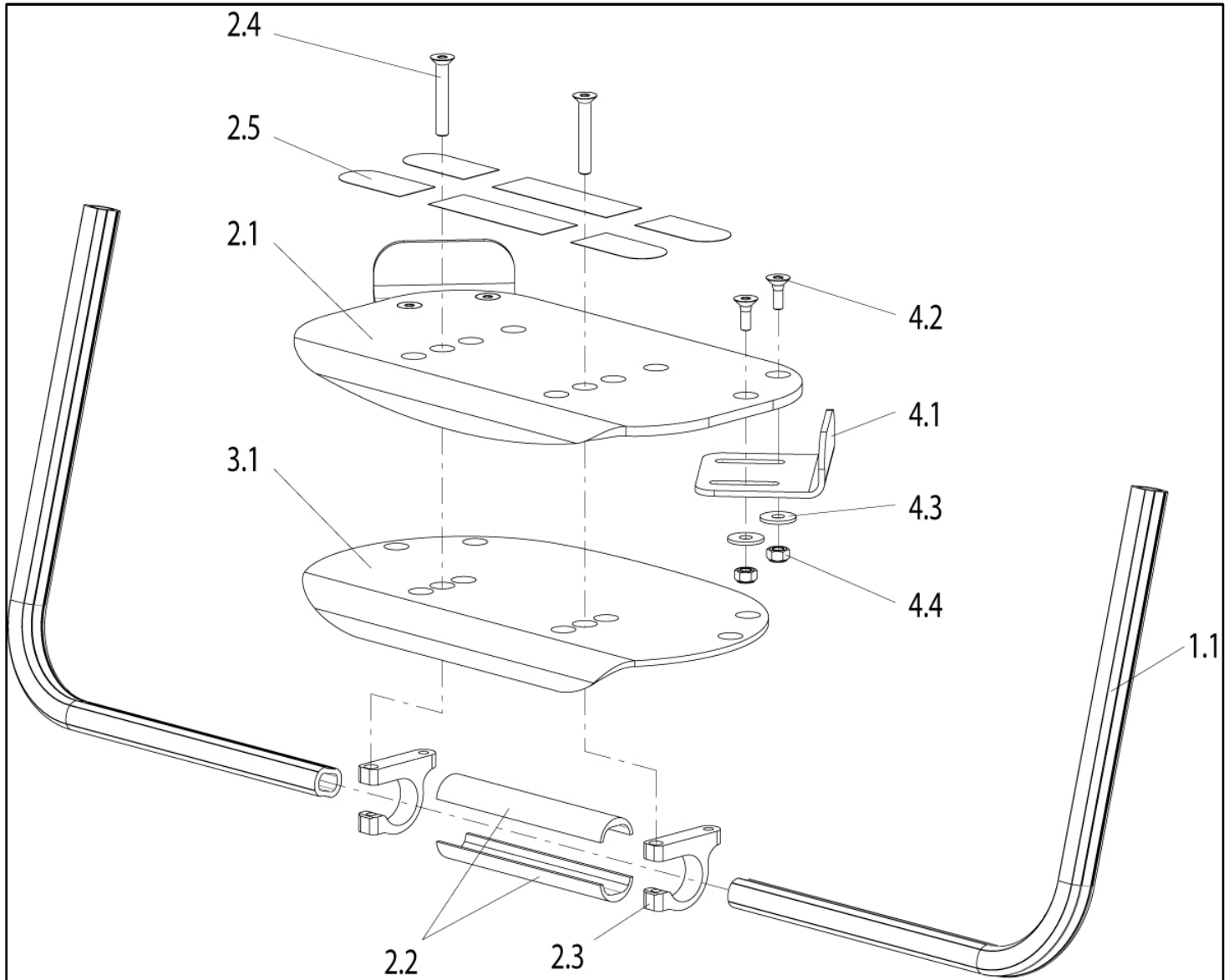
Platform footplate lightweight, composite, flip-up



Pos	Item number	Description	Comment
1.1-2.4	068200-040	Platform footrest depth adj. footplate, Composite plate	
1.1-1.5	068813-000	Composite plate with mounting parts and anti slip sticker	
1.2-1.5, 2.1	06802227	Clamp for footplate	
2.1 - 2.4	068817-000	Platform footrest depth adj., without footplate	
2.2	068207-000	Footrest pivot, left side	
2.3 - 2.4	068205-100	Fork and receiver for cross tube, right side	
3.1 - 3.4	068890	Footrest Positioning Plate	2 pcs./pack
3.2	066902-001-ET	Counter sunk screw M 6 x 16 - DIN 7991	25 pcs./pack
3.3	058904-ET	Washer A 6,4 DIN 125	25 pcs./pack
3.4	000128049-ET	Hex nut M 6, black galvanized DIN 986	25 pcs./pack
-	000821167	Slip resistant coating (only available by the metre. Please indicate quantity)	(per metres)

Platform footplate lightweight, composite or aluminium

Platform footplate lightweight, composite or aluminium

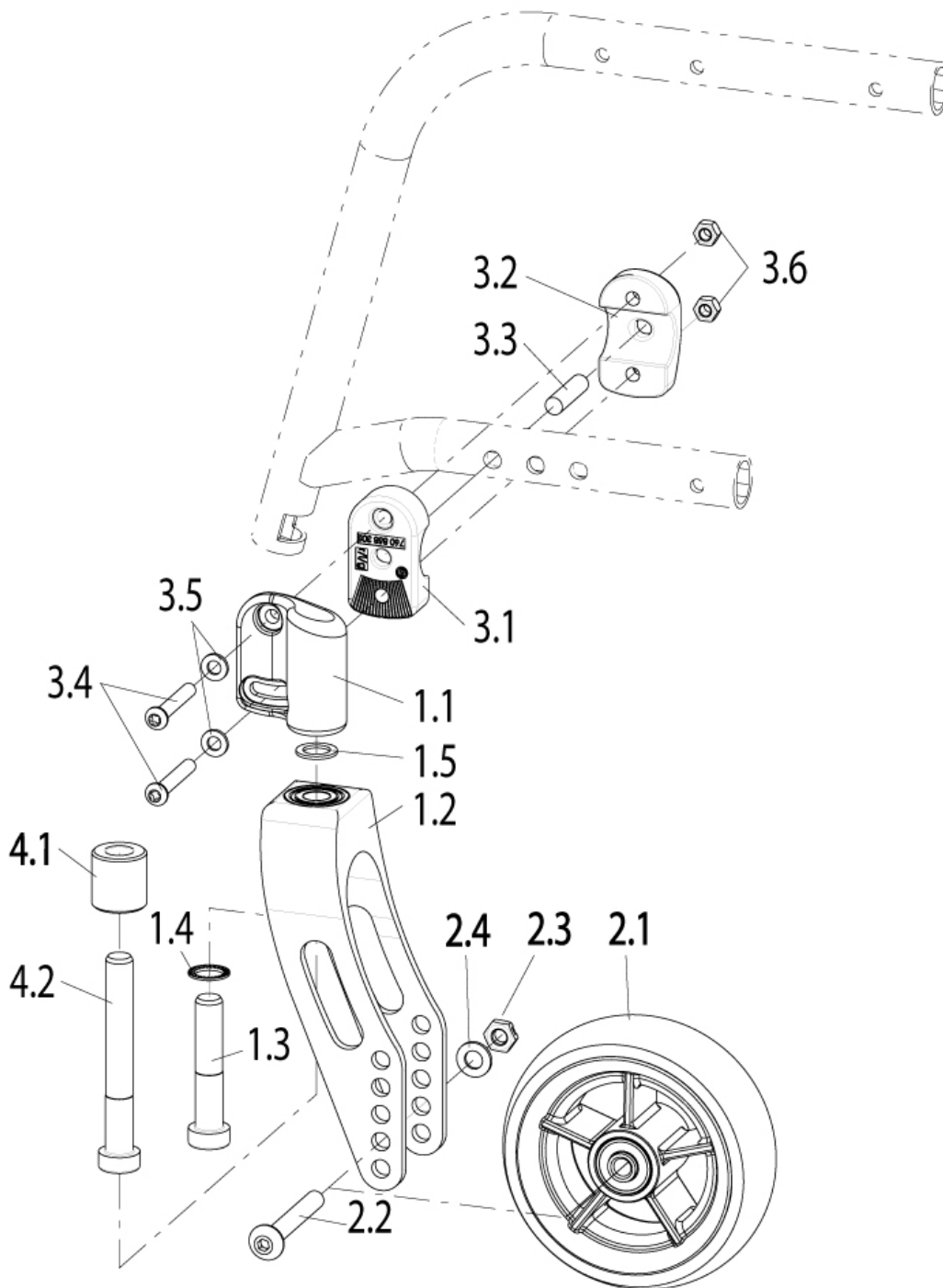


Pos	Item number	Description	Comment
1.1 - 2.5	84405101-000	Platform footplate lightweight angle & depth adjustable, composite cpl.	
1.1, 2.2 - 3.1	84405101-100	Platform footplate lightweight angle & depth adjustable, aluminium cpl.	
1.1	84405105-000	Foot bar for angle-adjustable footrest	Pair
2.2 - 2.4	84405102	Footboard clamp with fitting accessories cpl.	
2.1, 2.5	054853-000	Plastic foot board with attachment parts	
2.4	000104063-ET	Senkschraube M 6 x 40 DIN 7991	pack of 25
2.5	765821003.01-ET	Anti-slip cover L = 140 mm for foot board SW: 40-50	6 items/pack
3.1, 2.5	765821005	Aluminium plate with mounting parts and anti slip sticker, SW 34 - 38 cm	
3.1, 2.5	765821006	Aluminium plate with mounting parts and anti slip sticker, SW 40 - 46 cm	

Platform footplate lightweight, composite or aluminium

Pos	Item number	Description	Comment
4.1 - 4.4	765821004	Side stop for footboard	Pair
4.2	000104064-ET	Countersunk screw M 6 x 16 - DIN 7991	25 pcs./Pac.
4.3	000130116-ET	Washer 6.4 DIN 9021	25 pcs./pack
4.4	000128007-ET	Hex nut M 6 DIN 985	25 pcs./pack

Castor for fixed frame



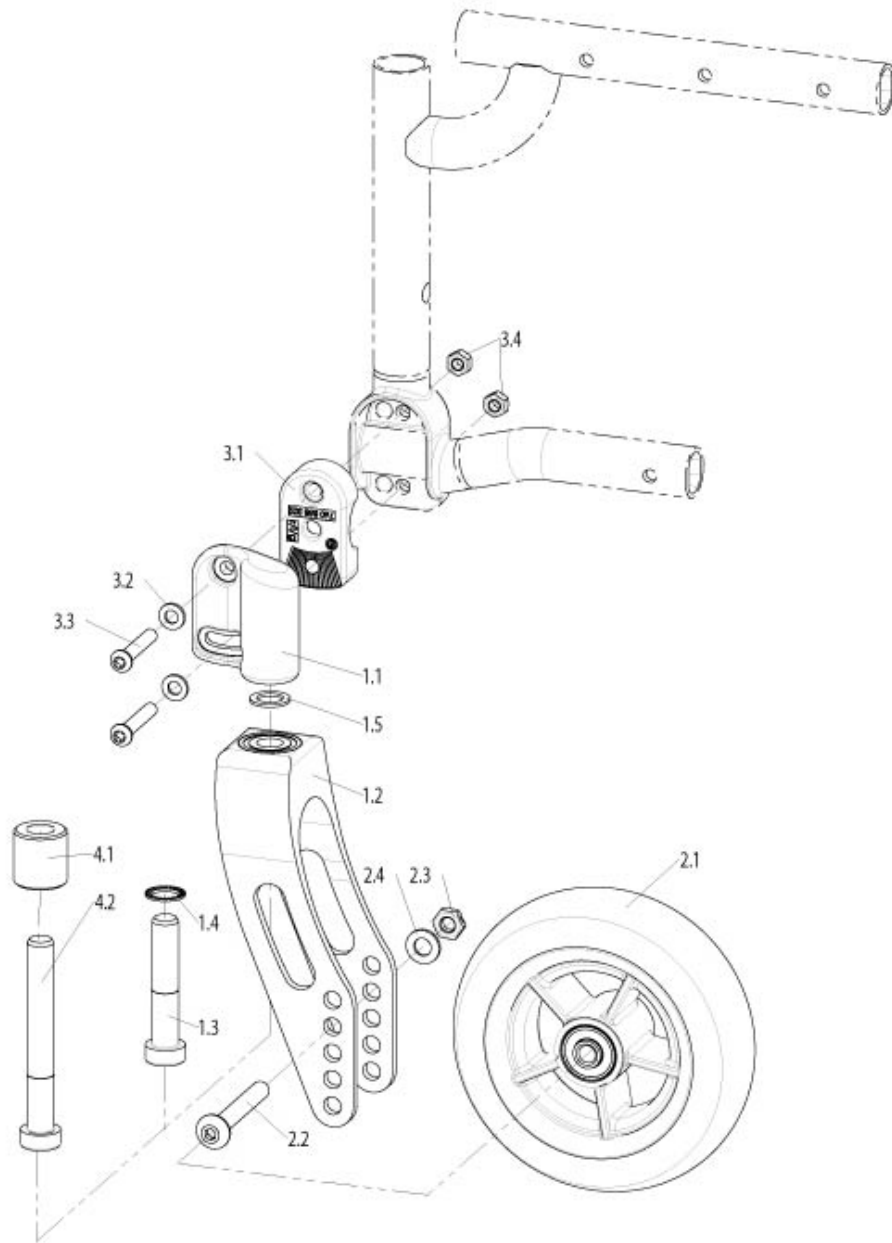
Pos	Item number	Description	Comment
1.1	760858304	Castor adapter, black coated	RH
1.1	760758304	Castor adapter, black coated	LH
1.1-1.5	760858330	Castor, round fork, black 168 x 39 with castor adapter, complete	RH
1.1-1.5	760758330	Castor, round fork, black 168 x 39 with castor adapter, complete	LH

Pos	Item number	Description	Comment
1.1-1.5	072506-001	Castor, round fork, silver 168 x 39 with castor adapter, complete	RH
1.1-1.5	072506-002	Castor, round fork, silver 168 x 39 with castor adapter, complete	LH
1.1-1.5	072507-001	Castor, round fork, gold orange 168 x 39 with castor adapter, complete	RH
1.1-1.5	072507-002	Castor, round fork, gold orange 168 x 39 with castor adapter, complete	LH
1.1-1.5	760858331	Castor, round fork, black 168 x 45 with castor adapter, complete	RH
1.1-1.5	760758331	Castor, round fork, black 168 x 45 with castor adapter, complete	LH
1.1-1.5	072508-001	Castor, round fork, silver 168 x 45 with castor adapter, complete	RH
1.1-1.5	072508-002	Castor, round fork, silver 168 x 45 with castor adapter, complete	LH
1.1-1.5	072509-001	Castor, round fork, gold orange 168 x 45 with castor adapter, complete	RH
1.1-1.5	072509-002	Castor, round fork, gold orange 168 x 45 with castor adapter, complete	LH
1.1-1.5	760858332	Castor, round fork, black 143 x 39 with castor adapter, complete	RH
1.1-1.5	760758332	Castor, round fork, black 143 x 39 with castor adapter, complete	LH
1.1-1.5	072510-001	Castor, round fork, silver 143 x 39 with castor adapter, complete	RH
1.1-1.5	072510-002	Castor, round fork, silver 143 x 39 with castor adapter, complete	LH
1.1-1.5	072511-001	Castor, round fork, gold orange 143 x 39 with castor adapter, complete	RH
1.1-1.5	072511-002	Castor, round fork, gold orange 143 x 39 with castor adapter, complete	LH
1.1-1.5	760758335.01	Castor, round fork, coloured with castor adapter, complete	LH
1.1-1.5	760858335.01	Castor, round fork, coloured with castor adapter, complete	RH
1.3-1.5 + 4.1- 4.2	84407103	Castor fixation kit	
1.3	000102151-ET	Screw M 12 x 60 mm DIN 6912	10 pcs./pack
1.4	000138010-ET	Lock Washer 13	10 pcs./pack
1.5	000131087-ET	Locating disc 12 x 18 x 1.5 DIN 988	25 pcs./pack
2.1-2.4	765858011	4in solid castor, with axle	
2.1-2.4	000858023	4in Light-up wheel for fork 143 x 39 and 168 x 39	
2.1-2.4	760858362	5in solid castor, complete, with axle	
2.1-2.4	000858184	5in x 1 in castor, solid, aluminium rim, with axle and spacer	
2.1-2.4	054570	5in soft solid castor, with axle	
2.1-2.4	760858363	6in solid rubber castor complete, with axle for round fork 143 x 39 and 168 x 39	
2.1-2.4	760858364	6in soft caster with axle	

Castor for fixed frame

Pos	Item number	Description	Comment
2.1-2.4	760858366	6in pneumatic castor with axle cpl.	Note: starting with week 30/2013 castors come with fine tread (previously = w/o tread). In case of retrofitting on wheelchairs prior week 30/2013 we recommend to replace as pair.
2.1-2.4	760858365	7in Castor, solid with axle & spacer	
2.1-2.4	760858367	7in Castor, pneu with axle & spacer	
2.2	000104112-ET	Oval-head screw M 8 x 55 ISO 7380 for round fork 143 x 39 and 168 x 39	10 pcs./pack
2.2	000104113-ET	Oval head screw M8 x 60 ISO 7380	10 pcs./pack
2.3	000128020-ET	Hex nut M8 Trelock, half height	25 pcs./pack
2.4	000130108-ET	A 8.4 washer DIN 125	25 pcs./pack
3.1-3.6	760858350	Fitting accessories for castor fitting, complete. (Frame mount)	
3.3	000154205-ET	Cylindrical pin 8 x 32 DIN 7	25 pcs./pack
3.4	000102305.01-ET	Lens head screw M 6 x 40, 8.8 , Tufloc, Trx	25 pcs./pack
3.5	000130107-ET	Washer A6.4 DIN 125	25 pcs./pack
3.6	000128007-ET	Hex nut M 6 DIN 985	25 pcs./pack
4.2	000102041-ET	Socket head screw M 12 x 90 GEO 10.9 TF DIN7984	10 pcs./pack
-	000101066	Mounting accessories for 6 in castors soft and 7 in castor solid/pneumatic	
-	000101067	Mounting accessories for 2,4,5 and 6 in castor solid/pneumatic	

Castor for swing away frame (starting week 28/2014)



Pos	Item number	Description	Comment
1.1	760858304	Castor adapter, black coated	RH
1.1	760758304	Castor adapter, black coated	LH
1.1-1.5	760858330	Castor, round fork, black 168 x 39 with castor adapter, complete	RH
1.1-1.5	760758330	Castor, round fork, black 168 x 39 with castor adapter, complete	LH
1.1-1.5	072506-001	Castor, round fork, silver 168 x 39 with castor adapter, complete	RH
1.1-1.5	072506-002	Castor, round fork, silver 168 x 39 with castor adapter, complete	LH
1.1-1.5	072507-001	Castor, round fork, gold orange 168 x 39 with castor adapter, complete	RH

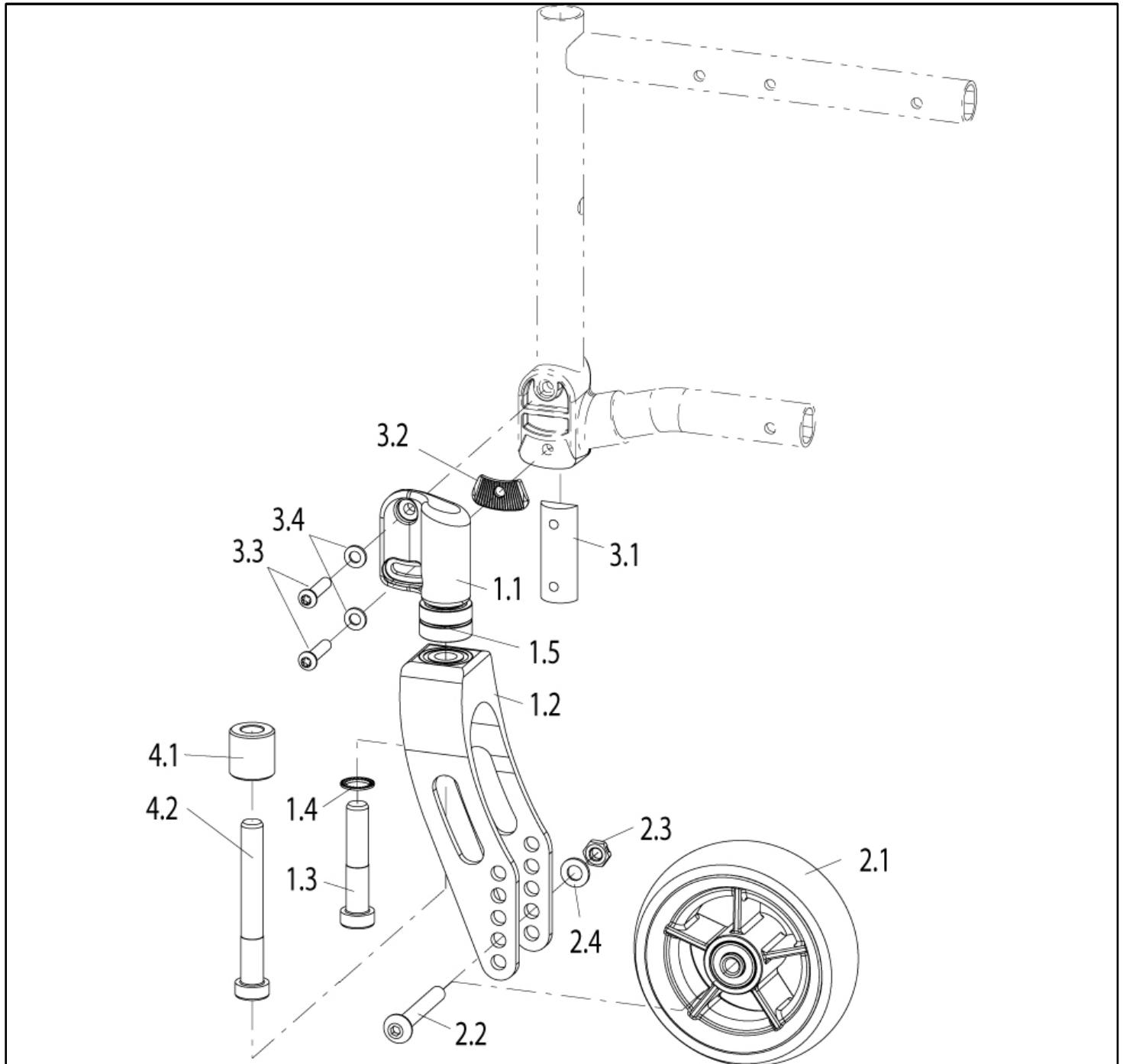
Castor for swing away frame (starting week 28/2014)

Pos	Item number	Description	Comment
1.1-1.5	072507-002	Castor, round fork, gold orange 168 x 39 with castor adapter, complete	LH
1.1-1.5	760858331	Castor, round fork, black 168 x 45 with castor adapter, complete	RH
1.1-1.5	760758331	Castor, round fork, black 168 x 45 with castor adapter, complete	LH
1.1-1.5	072508-001	Castor, round fork, silver 168 x 45 with castor adapter, complete	RH
1.1-1.5	072508-002	Castor, round fork, silver 168 x 45 with castor adapter, complete	LH
1.1-1.5	072509-001	Castor, round fork, gold orange 168 x 45 with castor adapter, complete	RH
1.1-1.5	072509-002	Castor, round fork, gold orange 168 x 45 with castor adapter, complete	LH
1.1-1.5	760858332	Castor, round fork, black 143 x 39 with castor adapter, complete	RH
1.1-1.5	760758332	Castor, round fork, black 143 x 39 with castor adapter, complete	LH
1.1-1.5	072510-001	Castor, round fork, silver 143 x 39 with castor adapter, complete	RH
1.1-1.5	072510-002	Castor, round fork, silver 143 x 39 with castor adapter, complete	LH
1.1-1.5	072511-001	Castor, round fork, gold orange 143 x 39 with castor adapter, complete	RH
1.1-1.5	072511-002	Castor, round fork, gold orange 143 x 39 with castor adapter, complete	LH
1.1-1.5	760758335.01	Castor, round fork, coloured with castor adapter, complete	LH
1.1-1.5	760858335.01	Castor, round fork, coloured with castor adapter, complete	RH
1.3	000102151-ET	Screw M 12 x 60 mm DIN 6912	10 pcs./pack
1.4	000138010-ET	Lock Washer 13	10 pcs./pack
1.5	000131087-ET	Locating disc 12 x 18 x 1.5 DIN 988	25 pcs./pack
2.1-2.4	765858011	4" solid castor, with axle	
2.1-2.4	000858023	4Inch Light-up wheel for fork 143 x 39 and 168 x 39	
2.1-2.4	760858362	5Inch solid castor, complete, with axle	
2.1-2.4	000858184	5Inch x 1Inch castor, solid, aluminium rim, with axle and spacer	
2.1-2.4	760858363	6Inch solid rubber castor complete, with axle for round fork 143 x 39 and 168 x 39	
2.1-2.4	760858364	Soft 6Inch caster with axle	
2.1-2.4	760858366	6Inch pneumatic castor with axle cpl.	Note: starting with week 30/2013 castors come with fine tread (previously = w/o tread). In case of retrofitting on wheelchairs prior week 30/2013 we recommend to replace as pair.
2.1-2.4	760858365	7Inch Castor, solid with axle & spacer	
2.1-2.4	760858367	7Inch Castor, pneu with axle & spacer	
2.2	000104112-ET	Oval-head screw M 8 x 55 ISO 7380 for round fork 143 x 39 and 168 x 39	10 pcs./pack

Castor for swing away frame (starting week 28/2014)

Pos	Item number	Description	Comment
2.2	000104113-ET	Oval head screw M8 x 60 ISO 7380	10 pcs./pack
2.3	000128020-ET	Hex nut M8 Trelock, half height	25 pcs./pack
2.4	000130108-ET	A 8.4 washer DIN 125	25 pcs./pack
2.4	066556-ET	Washer used with castor 8.15 x 13 x 2	10 pcs./pack
2.4	71105005-001-ET	Washer used with castor 8.3 x 14 x 4	10 pcs./pack
3.1-3.4	072551	Fitting accessories for castor fitting, complete can be used right and left	
3.2	000130107-ET	Washer A6.4 DIN 125	25 pcs./pack
3.3	000102317.01	Oval-head screw M 6 x 37 with Torx drive	25 pcs./pack
3.4	000128007-ET	Hex nut M6 DIN 985	25 pcs./pack
-	000101066	Mounting accessories for 6inch castors soft and 7 inch castor solid/pneumatic	
-	000101067	Mounting accessories for 2,4,5 and 6 inch castor solid/pneumatic	
1.3-1.5 + 4.1- 4.2	84407103	Castor fixation kit	

Castor for swing away frame (until week 27/2014)



Pos	Item number	Description	Comment
1.1	760858304	Castor adapter, black coated	RH
1.1	760758304	Castor adapter, black coated	LH
1.1-1.5	760858330	Castor, round fork, black 168 x 39 with castor adapter, complete	RH
1.1-1.5	760758330	Castor, round fork, black 168 x 39 with castor adapter, complete	LH
1.1-1.5	072506-001	Castor, round fork, silver 168 x 39 with castor adapter, complete	RH
1.1-1.5	072506-002	Castor, round fork, silver 168 x 39 with castor adapter, complete	LH

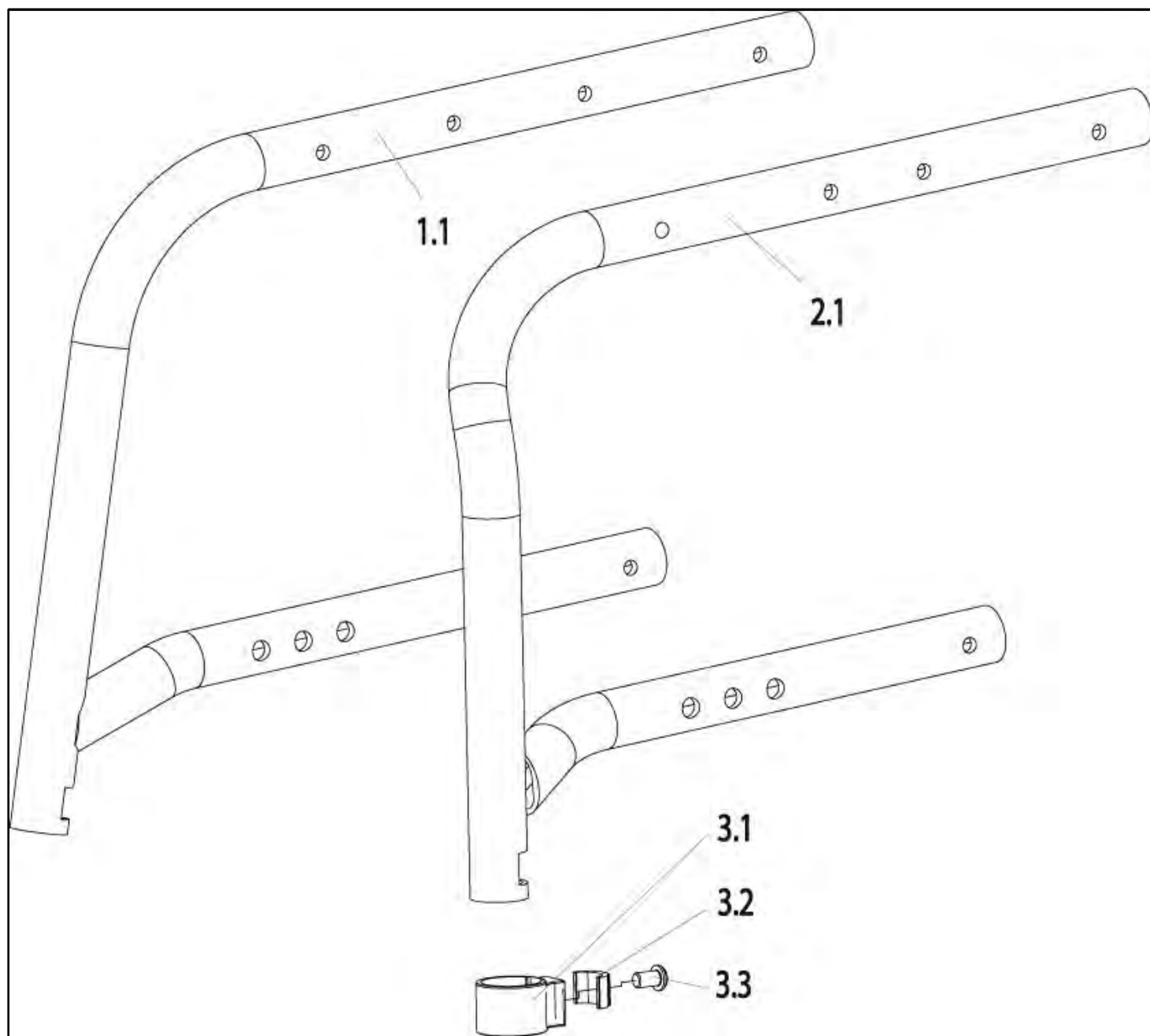
Castor for swing away frame (until week 27/2014)

Pos	Item number	Description	Comment
1.1-1.5	072507-001	Castor, round fork, gold orange 168 x 39 with castor adapter, complete	RH
1.1-1.5	072507-002	Castor, round fork, gold orange 168 x 39 with castor adapter, complete	LH
1.1-1.5	760858331	Castor, round fork, black 168 x 45 with castor adapter, complete	RH
1.1-1.5	760758331	Castor, round fork, black 168 x 45 with castor adapter, complete	LH
1.1-1.5	072508-001	Castor, round fork, silver 168 x 45 with castor adapter, complete	RH
1.1-1.5	072508-002	Castor, round fork, silver 168 x 45 with castor adapter, complete	LH
1.1-1.5	072509-001	Castor, round fork, gold orange 168 x 45 with castor adapter, complete	RH
1.1-1.5	072509-002	Castor, round fork, gold orange 168 x 45 with castor adapter, complete	LH
1.1-1.5	760858332	Castor, round fork, black 143 x 39 with castor adapter, complete	RH
1.1-1.5	760758332	Castor, round fork, black 143 x 39 with castor adapter, complete	LH
1.1-1.5	072510-001	Castor, round fork, silver 143 x 39 with castor adapter, complete	RH
1.1-1.5	072510-002	Castor, round fork, silver 143 x 39 with castor adapter, complete	LH
1.1-1.5	072511-001	Castor, round fork, gold orange 143 x 39 with castor adapter, complete	RH
1.1-1.5	072511-002	Castor, round fork, gold orange 143 x 39 with castor adapter, complete	LH
1.1-1.5	760758335.01	Castor, round fork, coloured with castor adapter, complete	LH
1.1-1.5	760858335.01	Castor, round fork, coloured with castor adapter, complete	RH
1.3	000102151-ET	Screw M 12 x 60 mm DIN 6912	10 pcs./pack
1.4	000138010-ET	Lock Washer 13	10 pcs./pack
1.5	000131087-ET	Locating disc 12 x 18 x 1.5 DIN 988	25 pcs./pack
2.1-2.4	765858011	4" solid castor, with axle	
2.1-2.4	000858023	4Inch Light-up wheel for fork 143 x 39 and 168 x 39	
2.1-2.4	760858362	5Inch solid castor, complete, with axle	
2.1-2.4	000858184	5Inch x 1Inch castor, solid, aluminium rim, with axle and spacer	
2.1-2.4	760858363	6Inch solid rubber castor complete, with axle for round fork 143 x 39 and 168 x 39	
2.1-2.4	760858364	Soft 6Inch caster with axle	
2.1-2.4	760858366	6Inch pneumatic castor with axle cpl.	Note: starting with week 30/2013 castors come with fine tread (previously = w/o tread). In case of retrofitting on wheelchairs prior week 30/2013 we recommend to replace as pair.
2.1-2.4	760858365	7Inch Castor, solid with axle & spacer	
2.1-2.4	760858367	7Inch Castor, pneu with axle & spacer	

Castor for swing away frame (until week 27/2014)

Pos	Item number	Description	Comment
2.2	000104112-ET	Oval-head screw M 8 x 55 ISO 7380 for round fork 143 x 39 and 168 x 39	10 pcs./pack
2.2	000104113-ET	Oval head screw M8 x 60 ISO 7380	10 pcs./pack
2.3	000128020-ET	Hex nut M8 Trelock, half height	25 pcs./pack
2.4	000130108-ET	A 8.4 washer DIN 125	25 pcs./pack
2.4	066556-ET	Washer used with castor 8.15 x 13 x 2	10 pcs./pack
2.4	71105005-001-ET	Washer used with castor 8.3 x 14 x 4	10 pcs./pack
3.1-3.4	072515	Fitting accessories for castor fitting, complete can be used right and left	
3.3	000102311.01-ET	Oval-head screw M 6 x 27 with Torx drive	25 pcs./pack
3.4	000130107-ET	Washer A6.4 DIN 125	25 pcs./pack
4.2	000102041-ET	Socket head screw M 12 x 90 GEO 10.9 TF DIN7984	10 pcs./pack
-	000101066	Mounting accessories for 6inch castors soft and 7 inch castor solid/pneumatic	
-	000101067	Mounting accessories for 2,4,5 and 6 inch castor solid/pneumatic	
1.3-1.5 + 4.1- 4.2	84407103	Castor fixation kit	

Front frame for fixed legrest

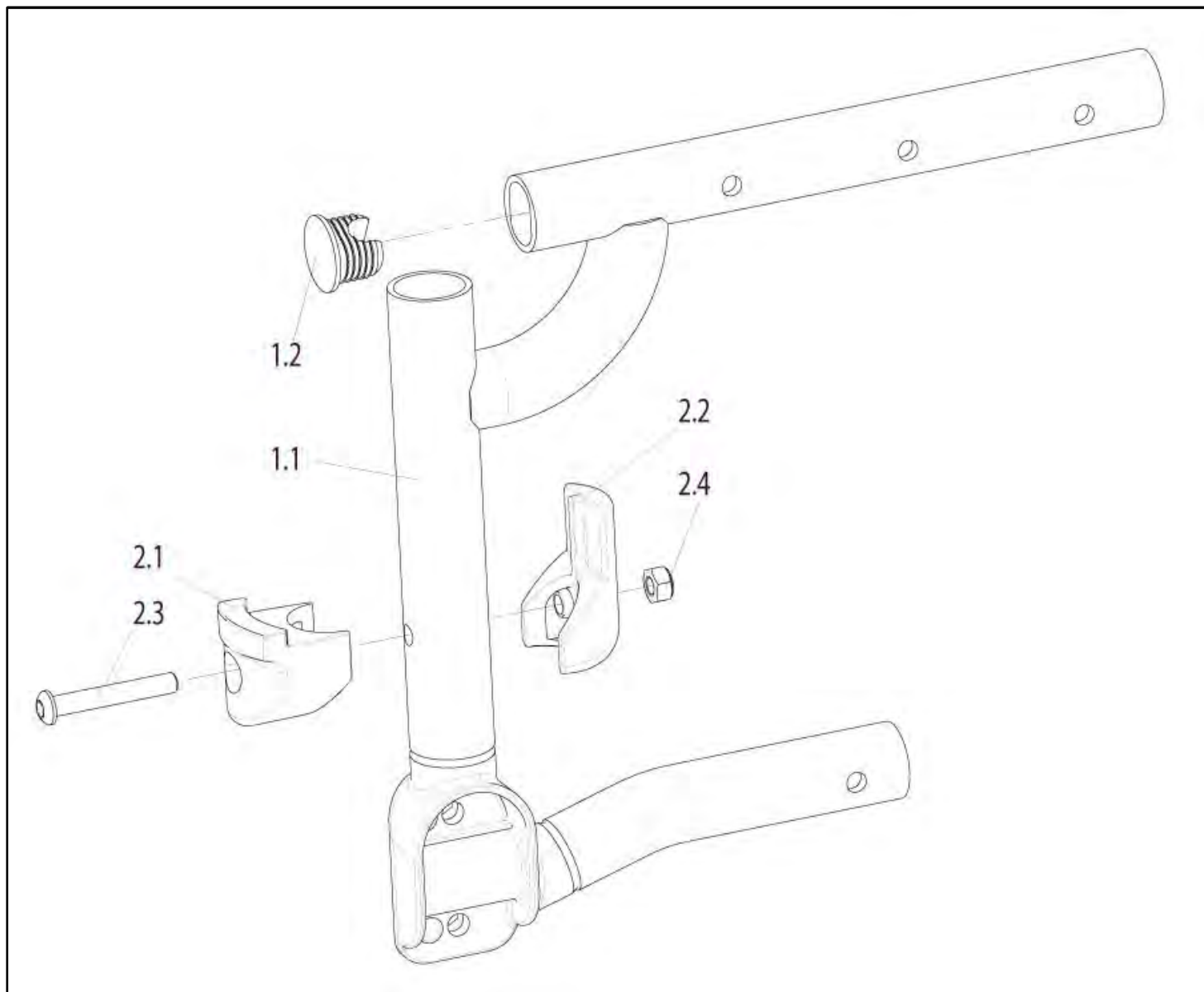


Pos	Item number	Description	Comment
1.1	072127-001	FIXED FRAME 75°, SD36-40, COLORED	LH&RH useable
1.1	072127-002	FIXED FRAME 75°, SD42-44, COLORED	LH&RH useable
1.1	072127-003	FIXED FRAME 75°, SD46-48, COLORED	LH&RH useable
1.1	072127-004	FIXED FRAME 75°, SD50, COLORED	LH&RH useable
1.1	84401006-001-ET	FIXED FRAME 85°, SD36-40, COLORED	LH&RH useable

Front frame for fixed legrest

Pos	Item number	Description	Comment
1.1	84401006-002-ET	FIXED FRAME 85°, SD42-44, COLORED	LH&RH useable
1.1	84401006-003-ET	FIXED FRAME 85°, SD46-48, COLORED	LH&RH useable
1.1	84401006-004-ET	FIXED FRAME 85°, SD50, COLORED	LH&RH useable
2.1	84401009-101-ET	FIXED FRAME 85°, 2cm inset, SD36-40, COLORED	LH
2.1	84401009-102-ET	FIXED FRAME 85°, 2cm inset, SD42-44, COLORED	LH
2.1	84401009-103-ET	FIXED FRAME 85°, 2cm inset, SD46-48, COLORED	LH
2.1	84401009-104-ET	FIXED FRAME 85°, 2cm inset, SD50, COLORED	LH
2.1	84401009-201-ET	FIXED FRAME 85°, 2cm inset, SD36-40, COLORED	RH
2.1	84401009-202-ET	FIXED FRAME 85°, 2cm inset, SD42-44, COLORED	RH
2.1	84401009-203-ET	FIXED FRAME 85°, 2cm inset, SD46-48, COLORED	RH
2.1	84401009-204-ET	FIXED FRAME 85°, 2cm inset, SD50, COLORED	RH
3.1-3.3	750826006	Mounting kit for hanger	
3.2	760827002-ET	Pressure piece	10 Pc/Pac.
3.3	000102308.01-ET	Button head cap screw M 6 x 12 Torx drive	25 Pc/Pac.

Front frame for swing away legrest (starting week 28/2014)

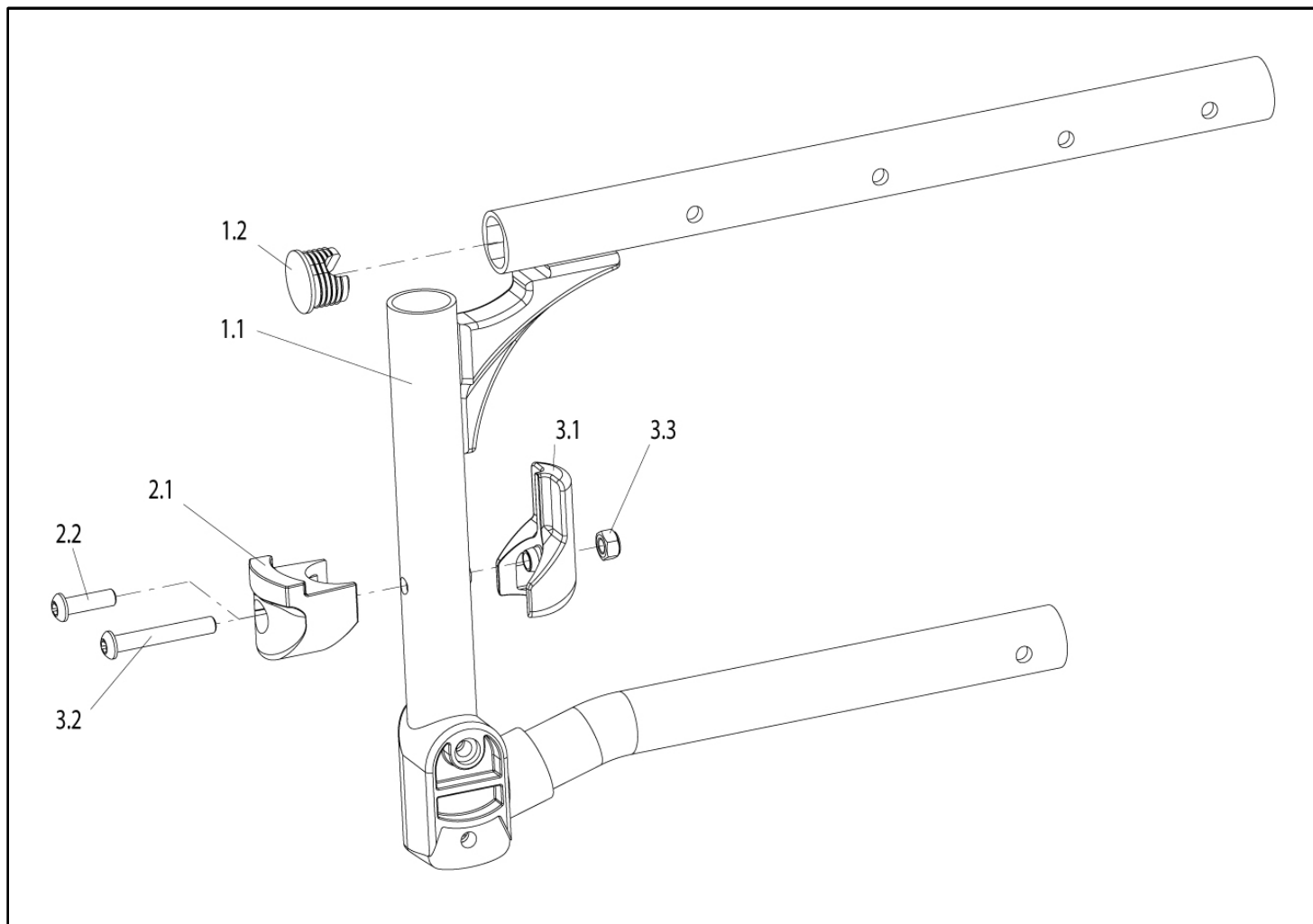


Pos	Item number	Description	Comment
1.1	84401119-001	SWINGAWAY FRAME, LH SD36-40, COLORED	
1.1	84401119-002	SWINGAWAY FRAME, LH SD42-44, COLORED	
1.1	84401119-003	SWINGAWAY FRAME, LH SD46-50, COLORED	
1.1	84401119-004	SWINGAWAY FRAME, RH SD36-40, COLORED	
1.1	84401119-005	SWINGAWAY FRAME, RH SD42-44, COLORED	
1.1	84401119-006	SWINGAWAY FRAME, RH SD46-50, COLORED	
1.2	760827007-ET	End stoppers for round tube	10 pcs./pack
2.1+2.4	072134	Mounting accessory for plastic material footrest (starting week 24/2013)	left/right usable
2.3	000102056.01-ET	Oval head screw M6 x 45 with Torx drive	25 pcs./pack
2.4	000128007-ET	Hex nut M 6 DIN 985	25 pcs./pack

Front frame for swing away legrest (starting week 28/2014)

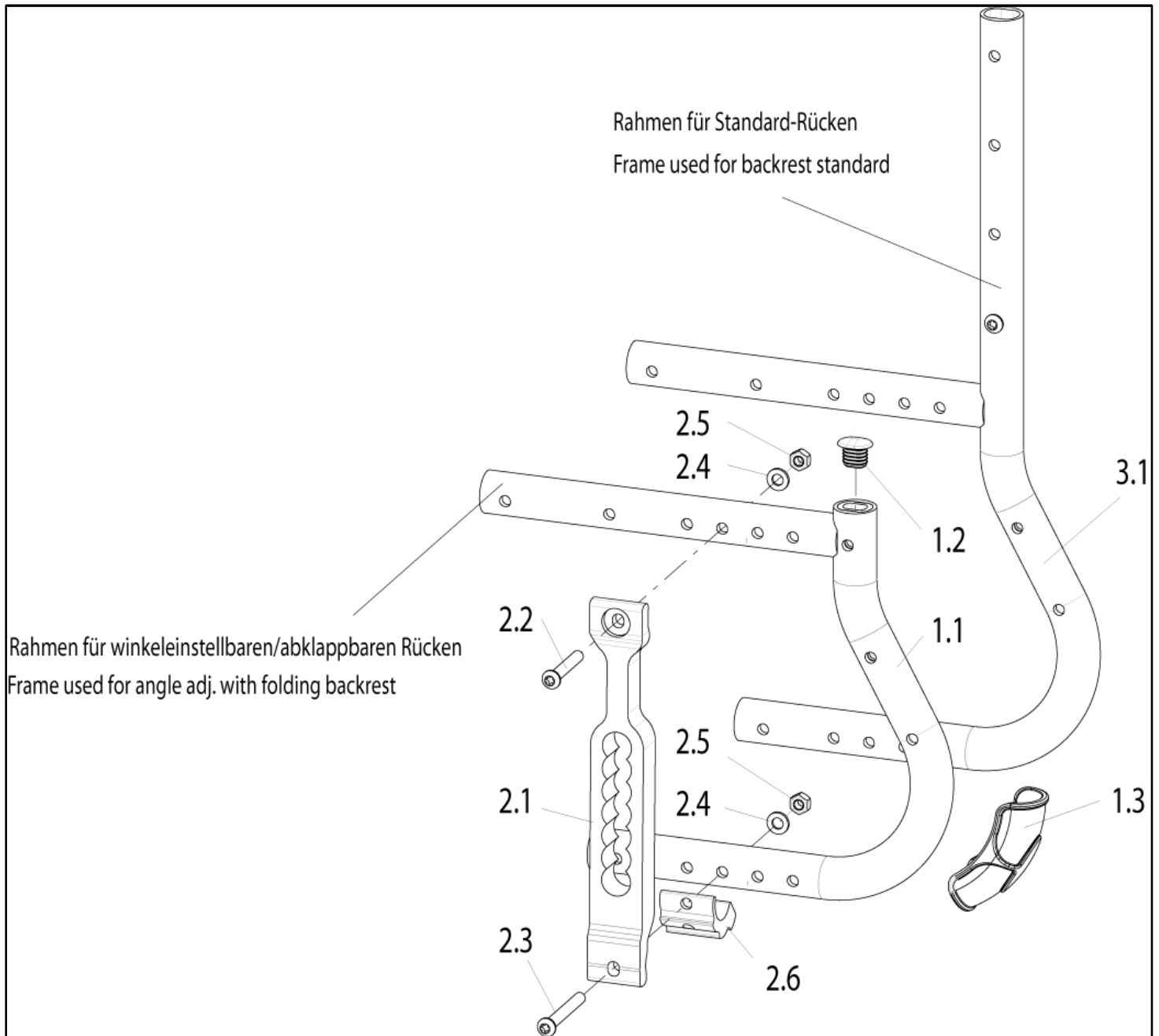
Pos	Item number	Description	Comment
-	71102019-ET	Hanger stop	2 pcs./pack

Front frame for swing away legrest (until week 27/2014)



Pos	Item number	Description	Comment
1.1	84401120-001	Swing away frame, pair, SD36-40, colored, incl. castor mounting accessories	
1.1	84401120-002	Swing away frame, pair, SD42-44, colored, incl. castor mounting accessories	
1.1	84401120-003	Swing away frame, pair, SD46-50, colored, incl. castor mounting accessories	
1.2	760827007-ET	End stoppers for round tube	10 pcs./pack
2.1-2.2	072133	Mounting accessory for plastic material footrest (to calendar week 23/2013)	left/right usable
2.1+3.1-3.3	072134	Mounting accessory for plastic material footrest (starting week 24/2013)	left/right usable
2.2	000102307.01-ET	Oval-head screw M 6 x 20 with Torx drive	25 pcs./pack
3.2	000102305.01-ET	Oval head screw M6 x 40 with Torx drive	25 pcs./pack
3.3	000128007-ET	Hex nut M 6 DIN 985	25 pcs./pack
-	71102019-ET	Hanger stop	2 pcs./pack

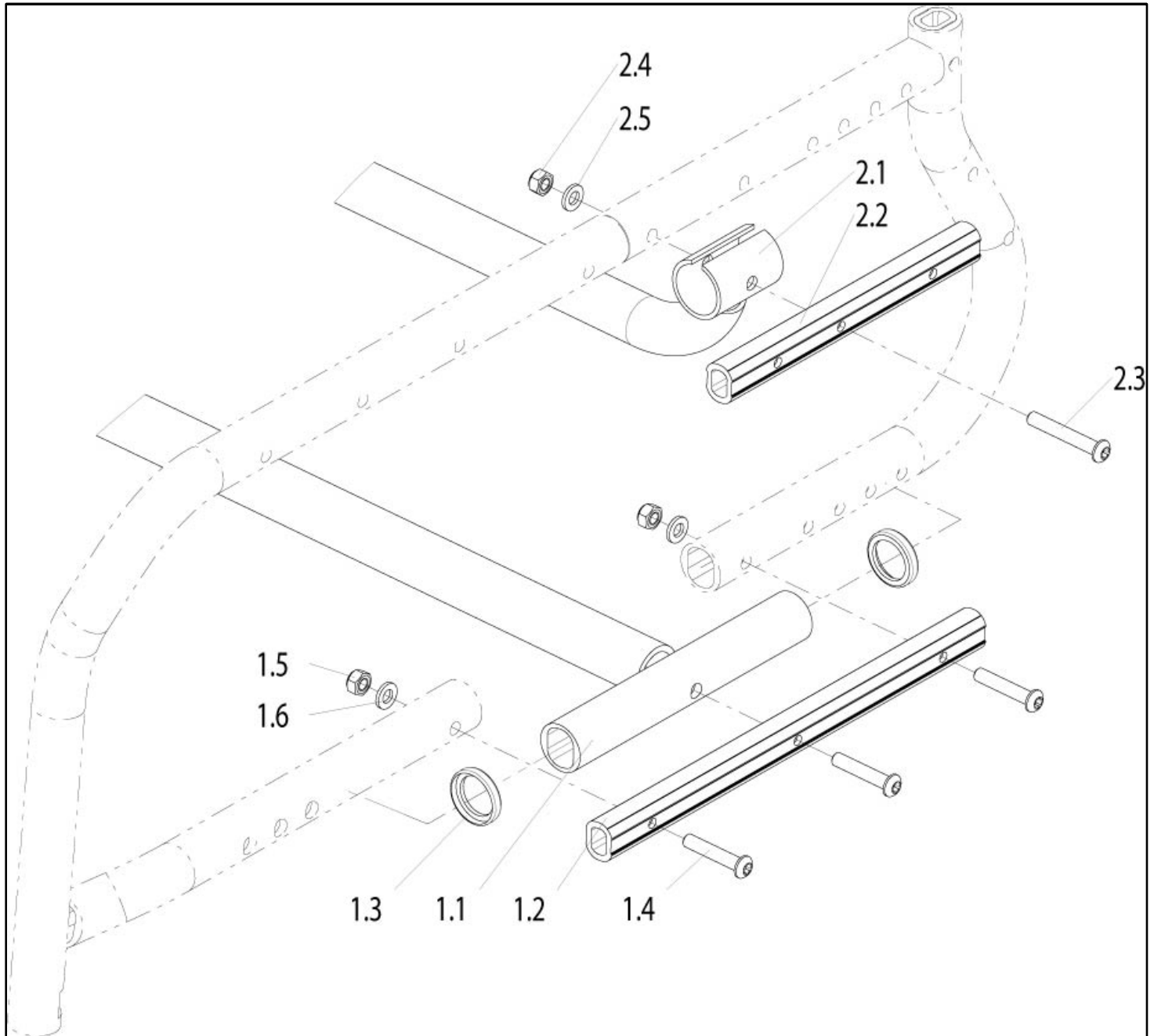
Back Frame



Pos	Item number	Description	Comment
1.1-1.3	84401101	Rear Frame angle adjustable back, colored	LH&RH useable
1.2	760841001-ET	Plastic plug for backrest profile tube	10 pcs./pack
1.3	072110-ET	Rear Frame Cover	2 pcs./pack
3.1+1.3	072128-001	Rear Frame standard, colored left	
3.1+1.3	072128-002	Rear Frame standard, colored right	
2.1-2.5	072129-001	Axleplate 7-Holes complete, black anodized	
2.1-2.5	072129-002	Axleplate 7-Holes complete, silver anodized	

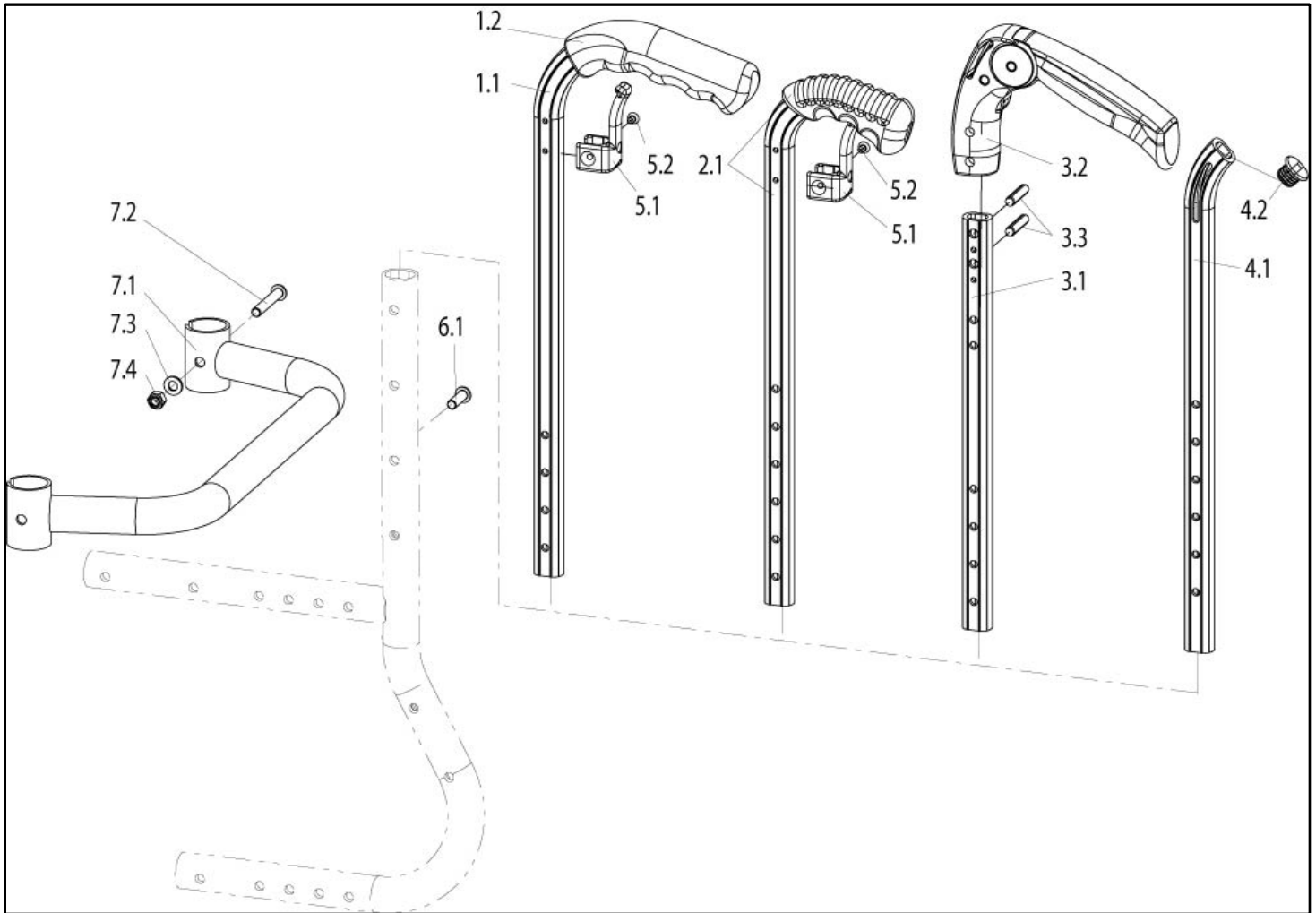
Pos	Item number	Description	Comment
2.1-2.5	072129-003	Axleplate 7-Holes complete, gold orange anodized	
2.2	000102305.01-ET	Button head cap screw M 6 x 40 Torx drive	25 pcs./pack
2.3	000102313.01-ET	Button head cap screw M 6 x 50 with Torx drive	25 Pc/Pac.
2.3-2.6	072130	Wheel Camber Bracket complete, silver anodized	
2.3-2.6	072131	Wheel Camber Bracket complete, black anodized	
2.3-2.6	072132	Wheel Camber Bracket complete, gold orange anodized	
2.4	000130107-ET	Washer A 6.4 DIN 125	25 pcs./pack
2.5	000128007-ET	Hex nut M 6 DIN 985	25 pcs./pack

Frame connections



Pos	Item number	Description	Comment
1.1-1.6	84401114-000	Bottom connetion tube cpl.	
1.3	760812002-ET	Distance washer	10 pcs./pack
1.4	000102312.01-ET	oval-head screw M 6 x 32 with Torx drive	25 pcs./pack
1.6	000130107-ET	Washer A 6.4 DIN 125	25 pcs./pack
1.5	000128007-ET	Hex nut M 6 DIN 985	25 pcs./pack
2.1- 2.3+1.5- 1.6	84401115-000	Upper connetion tube cpl.	
2.3	000102304.01-ET	Button head cap screw M 6 x 35 Torx-drive	25 pcs./pack

Back tubes for standard back

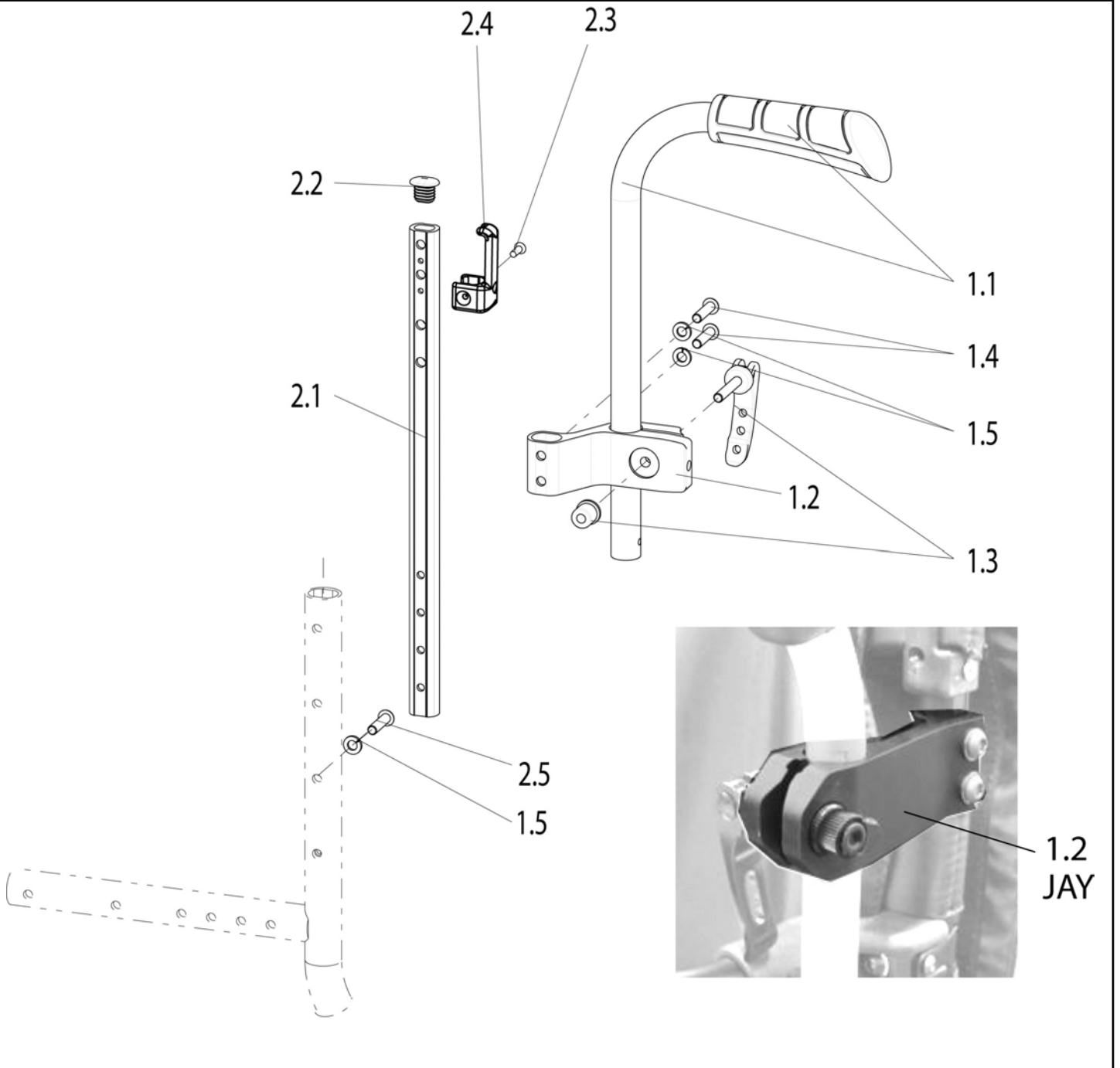


Pos	Item number	Description	Comment
1.1-1.2, 5.1-5.2, 6.1-6.2	072423-001-ET	Rigid back tube Long Push Handles BH25	2 pcs./pack
1.1-1.2, 5.1-5.2, 6.1-6.2	072423-002-ET	Rigid back tube Long Push Handles BH30	2 pcs./pack
1.1-1.2, 5.1-5.2, 6.1-6.2	072423-003-ET	Rigid back tube Long Push Handles BH35	2 pcs./pack
1.1-1.2, 5.1-5.2, 6.1-6.2	072423-004-ET	Rigid back tube Long Push Handles BH40	2 pcs./pack
1.1-1.2, 5.1-5.2, 6.1-6.2	072423-005-ET	Rigid back tube Long Push Handles BH45	2 pcs./pack
1.2	71104052-ET	Grip for back tube (incl. glue)	10 pcs./pack
-	000050005	Superglue used with hand grips, 10 g	

Back tubes for standard back

Pos	Item number	Description	Comment
2.1, 5.1- 5.2, 6.1- 6.2	072424-001	Back tube with short push handle, complete BH25	
2.1, 5.1- 5.2, 6.1- 6.2	072424-002	Back tube with short push handle, complete BH30	
2.1, 5.1- 5.2, 6.1- 6.2	072424-003	Back tube with short push handle, complete BH35	
2.1, 5.1- 5.2, 6.1- 6.2	072424-004	Back tube with short push handle, complete BH40	
2.1, 5.1- 5.2, 6.1- 6.2	072424-005	Back tube with short push handle, complete BH45	
3.1-3.3, 6.1-6.2	072425-001	Back tube with Folding push handle, complete BH30	
3.1-3.3, 6.1-6.2	072425-002	Back tube with Folding push handle, complete BH35	
3.1-3.3, 6.1-6.2	072425-003	Back tube with Folding push handle, complete BH40	
3.1-3.3, 6.1-6.2	072425-004	Back tube with Folding push handle, complete BH45	
4.1-4.2, 6.1-6.2	072426-001	Back tube without push handle, complete BH25	
4.1-4.2, 6.1-6.2	072426-002	Back tube without push handle, complete BH30	
4.1-4.2, 6.1-6.2	072426-003	Back tube without push handle, complete BH35	
4.1-4.2, 6.1-6.2	072426-004	Back tube without push handle, complete BH40	
4.1-4.2, 6.1-6.2	072426-005	Back tube without push handle, complete BH45	
-	072423-006-ET	Back tube, STD, rigid, used with drum brake wheel, BH 25 cm	2 pcs./pack
-	072423-007-ET	Back tube, STD, rigid, used with drum brake wheel, BH 30 cm	2 pcs./pack
-	072423-008-ET	Back tube, STD, rigid, used with drum brake wheel, BH 35 cm	2 pcs./pack
-	072423-009-ET	Back tube, STD, rigid, used with drum brake wheel, BH 40 cm	2 pcs./pack
-	072423-010-ET	Back tube, STD, rigid, used with drum brake wheel, BH 45 cm	2 pcs./pack
4.2	760841001-ET	Plastic plug for backrest profile tube	10 pcs./pack
5.1-5.2	760949901	Mounting accessories for back upholstery adjustable (bent clamp) cpl.	Pair
5.2	000114005-ET	Countersunk screw ST 3,9 x 16 - DIN 7982	25 pcs./pack
6.1	066900-005-ET	Button head cap screw M6 x 25 - ISO 7380	25 pcs./pack
6.2	000133013-ET	Spring washer B6, DIN 127	25 pcs./pack
7.1-7.4	84403203-000	Connection back tube cpl.	
7.2	000102304.01-ET	Button head cap screw M 6 x 35 Torx-drive	25 pcs./pack
7.3	000130107-ET	Washer A 6.4 DIN 125	25 pcs./pack
7.4	000128007-ET	Hex nut M 6 DIN 985	25 pcs./pack

Height Adjustable Push Handle

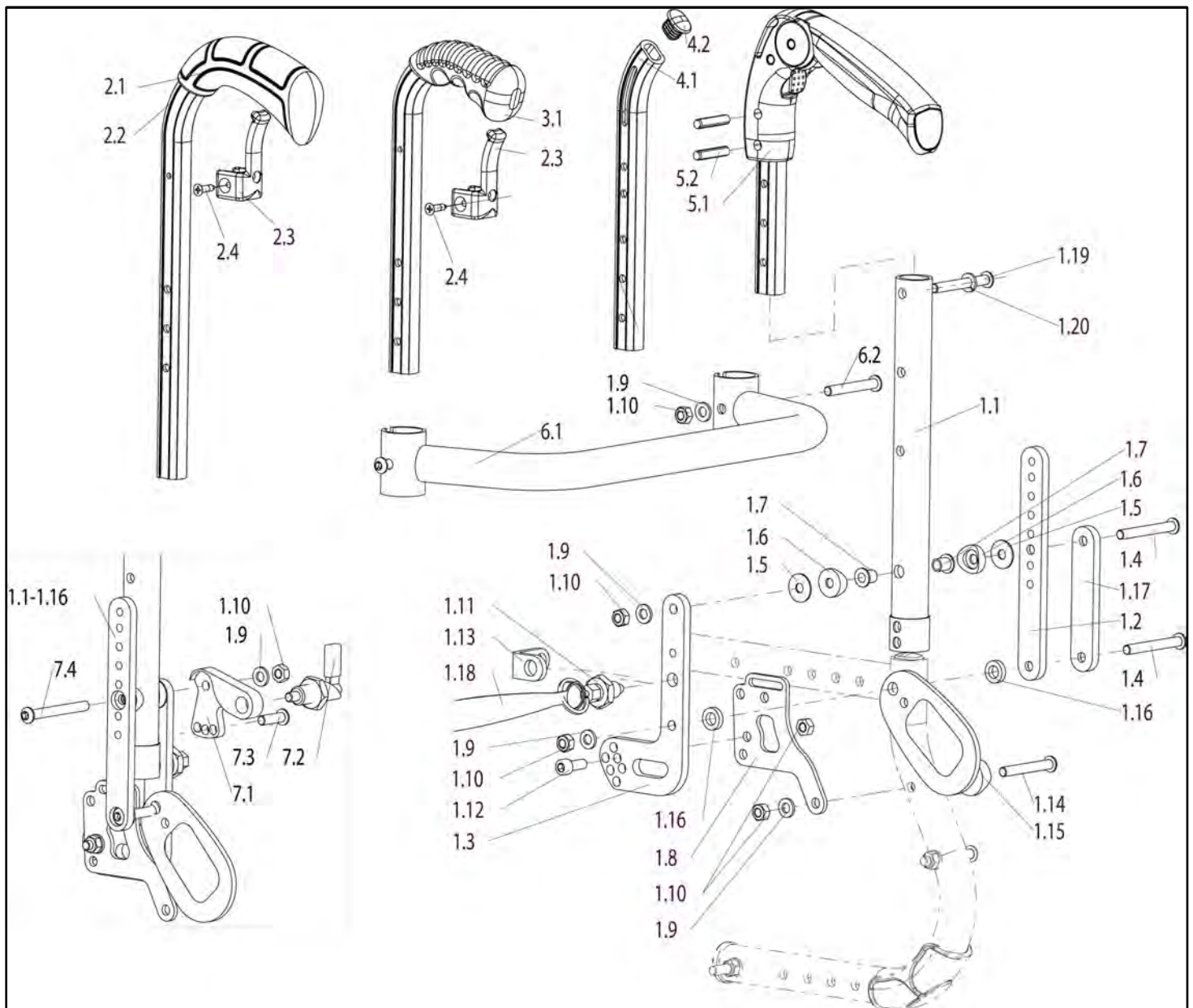


Pos	Item number	Description	Comment
1.1 - 2.5	84403102-006	Height-adjustable push handle and Backtube BH30-35, used with angle adj. backrest	LH/RH useable
1.1 - 2.5	84403102-001	Height-adjustable push handle and Backtube BH30-35, used with JAY backrest	LH/RH useable
1.1 - 2.5	84403102-007	Height-adjustable push handle and Backtube BH35-40, used with angle adj. backrest	LH/RH useable
1.1 - 2.5	84403102-002	Height-adjustable push handle and Backtube BH35-40, used with JAY backrest	LH/RH useable

Height Adjustable Push Handle

Pos	Item number	Description	Comment
1.1 - 2.5	84403102-008	Height-adjustable push handle and Backtube BH40-45, used with angle adj. backrest	LH/RH useable
1.1 - 2.5	84403102-003	Height-adjustable push handle and Backtube BH40-45, used with JAY backrest	LH/RH useable
-	000841268	Height-adjustable push handle for drum brake, complete BH: 30 - 37.5 cm; approx. 350 mm, black anodized	LH/RH useable
-	000841269	Height-adjustable push handle for drum brake, complete BH: 40 - 47.5 cm; approx. 270 mm, black anodized	LH/RH useable
1.1	000841264-ET	Height-Adjustable push handle, BH 25 - 27.5 cm, black anodized	2 pcs./pack
1.1	000841265-ET	Height-adjustable push handle, BH 30 - 37.5 cm, black anodized	2 pcs./pack
1.1	000841266-ET	Height-adjustable push handle, BH 40 - 50 cm, black anodized	2 pcs./pack
1.1 - 2.5	072435-001	Height-adjustable push handle and Backtube BH30 used with JAY backrest	LH/RH useable
1.1 - 2.5	072435-002	Height-adjustable push handle and Backtube BH35 used with JAY backrest	LH/RH useable
1.1 - 2.5	072435-003	Height-adjustable push handle and Backtube BH40 used with JAY backrest	LH/RH useable
1.1 - 2.5	072435-004	Height-adjustable push handle and Backtube BH45 used with JAY backrest	LH/RH useable
1.1 - 2.5	072435-006	Height-adjustable push handle and Backtube BH30 used with standard backrest	LH/RH useable
1.1 - 2.5	072435-007	Height-adjustable push handle and Backtube BH35 used with standard backrest	LH/RH useable
1.1 - 2.5	072435-008	Height-adjustable push handle and Backtube BH40 used with standard backrest	LH/RH useable
1.1 - 2.5	072435-009	Height-adjustable push handle and Backtube BH45 used with standard backrest	LH/RH useable
1.2 - 1.4	051456	Push handle holder with quick tensioner complete	left/right useable
1.2-1.4	065432	Push handle holder with quick tensioner for Jay-backrest complete	pair
1.4	000102307.01-ET	Oval-head screw M 6 x 20 with Torx drive	25 pcs./pack
2.1-2.5	072436-001	Backtube and Fitting accessories for back sling BH30	LH/RH useable
2.1-2.5	072436-002	Backtube and Fitting accessories for back sling BH35	LH/RH useable
2.1-2.5	072436-003	Backtube and Fitting accessories for back sling BH40	LH/RH useable
2.1-2.5	072436-004	Backtube and Fitting accessories for back sling BH45	LH/RH useable
2.1-2.5	84403103-001	Backtube and Fitting accessories for back sling, BH30	LH/RH useable
2.1-2.5	84403103-002	Backtube and Fitting accessories for back sling. BH35 - 40	LH/RH useable
2.3-2.4	760949902	Fitting accessories for back sling	pair
2.4	000114005-ET	Countersunk screw SD 3.9 x 16 DIN 7982	25 pcs./pack
2.5	000102307.01-ET	Oval-head screw M 6 x 20 with Torx drive	25 pcs./pack

Angle Adjustable back



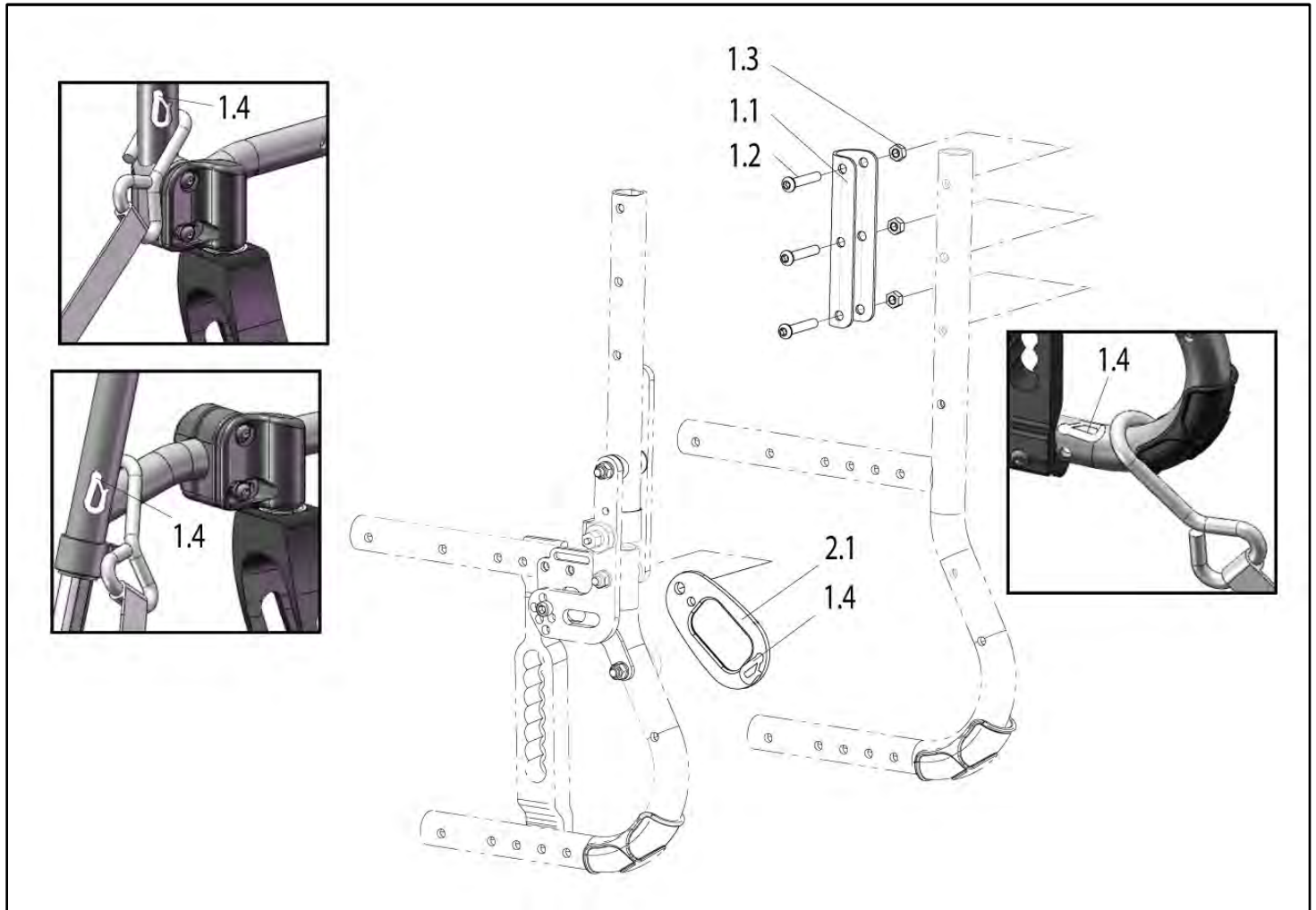
Pos	Item number	Description	Comment
1.1-1.16	84403115-001	Mechanism for angle adjustable back for aluminium sideguards	left
1.1-1.16	84403115-002	Mechanism for angle adjustable back for aluminium sideguards	right
11+1.3-1.17	84403115-003	Mechanism for angle adjustable back for composite armrest	left
11+1.3-1.17	84403115-004	Mechanism for angle adjustable back for composite armrest	right
1.4	000102313.01-ET	Button head cap screw M 6 x 50 with Torx drive	25 pcs./pack
1.5	062408-ET	PTFE washer D = 18 mm	10 pcs./pack
1.6	062403-ET	Half shell	5 pcs./pack
1.9	000130107-ET	Washer A 6.4 DIN 125	25 pcs./pack

Angle Adjustable back

Pos	Item number	Description	Comment
1.10	000128007-ET	Hex nut M 6 DIN 985	25 pcs./pack
1.11	062430-ET	Backrest pin lock with nut	Pair
1.12	058900-003-ET	Socket head screw M 6 x 16 - DIN 912	25 pcs./pack
1.13	062434-ET	Initial stop plate	Pair
1.14	000102056.01-ET	Button head cap screw M 6 x 45 Torx drive	25 pcs./pack
1.15	000831232-ET	Spacer for sideguard	10 pcs./pack
1.16	058512-ET	Castor washer 3.5 mm	10 pcs./pack
1.18	84403018-001	Strap for backrest pin lock SW34 (21 cm)	
1.18	84403018-002	Strap for backrest pin lock SW36 (23 cm)	
1.18	84403018-003	Strap for backrest pin lock SW38 (25 cm)	
1.18	84403018-004	Strap for backrest pin lock SW40 (27 cm)	
1.18	84403018-005	Strap for backrest pin lock SW42 (29 cm)	
1.18	84403018-006	Strap for backrest pin lock SW44 (31 cm)	
1.18	84403018-007	Strap for backrest pin lock SW46 (33 cm)	
1.18	84403018-008	Strap for backrest pin lock SW48 (35 cm)	
1.19	066900-005-ET	Button head cap screw M6 x 25 - ISO 7380	25 pcs./pack
1.20	000133013-ET	Spring washer B6, DIN 127	25 pcs./pack
2.1	71104052-ET	Grip for back tube (incl. glue)	10 pcs./pack
-	000050005	Superglue used with hand grips, 10 g	
2.1-2.4, 1.19- 1.20	84403105-001-ET	Rigid back tube Long Push Handles, Angle adj. backrest BH25 - 30 cm	2 pcs./pack
2.1-2.4, 1.19- 1.20	84403105-002-ET	Rigid back tube Long Push Handles, Angle adj. backrest BH30 - 45 cm	2 pcs./pack
2.2-2.3	760949901	Mounting accessories for back upholstery adjustable (bent clamp) cpl.	Pair
3.1+2.3.- 3.3, 1.19- 1.20	84403106-001	Back tube with short push handle, Angle adj. backrest BH25 - 30 cm	LH&RH useable
3.1+2.3.- 3.3, 1.19- 1.20	84403106-002	Back tube with short push handle, Angle adj. backrest BH30 - 45 cm	LH&RH useable
4.1-4.2, 1.19- 1.20	84403104-001	Back tube without push handle, Angle adj. backrest BH25 - 30 cm	LH&RH useable
4.1-4.2, 1.19- 1.20	84403104-002	Back tube without push handle, Angle adj. backrest BH30 - 35 cm	LH&RH useable
4.1-4.2, 1.19- 1.20	84403104-003	Back tube without push handle, Angle adj. backrest BH35 - 45 cm	LH&RH useable
4.2	760841001-ET	Plastic plug for backrest profile tube	10 pcs./pack
5.1-5.2, 1.19- 1.20	84403101-001	Back tube with Folding push handle, Angle adj. backrest BH30 - 35 cm	LH&RH useable

Pos	Item number	Description	Comment
5.1-5.2, 1.19- 1.20	84403101-002	Back tube with Folding push handle, Angle adj. backrest BH35 - 45 cm	LH&RH useable
5.2	000114005-ET	Countersunk screw SD 3.9 x 16 DIN 7982	25 pcs./pack
6.1- 6.2+1.9- 1.10	84403203-000	Connection back tube cpl.	
6.2	000102304.01-ET	Button head cap screw M 6 x 35 Torx-drive	25 pcs./pack
7.1- 7.4+1.9- 1.10	84403116	Double locking cpl.	
7.3	058900-002-ET	Cylinder head screw M 6 x 12 DIN 912	25 pcs./pack
7.4	000102314.01-ET	Oval-head screw M 6 x 55 with Torx drive	25 pcs./pack

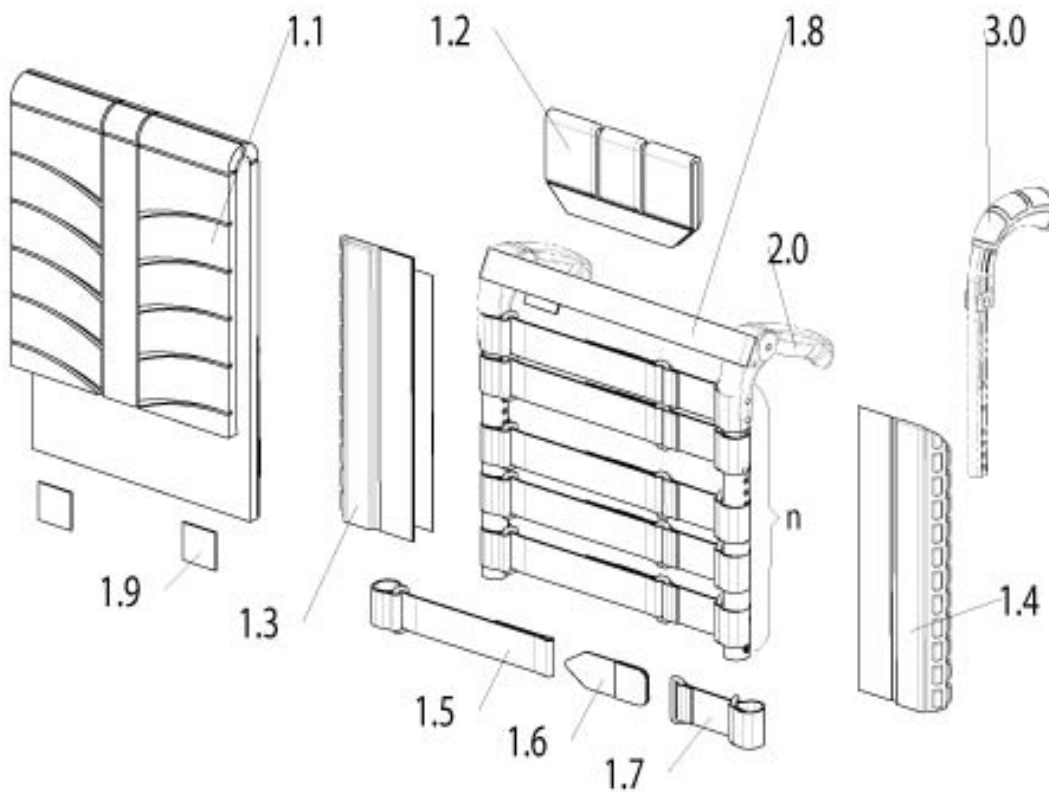
Crash Test Option



Pos	Item number	Description	Comment
1.1-1.4	072467	Transport lock cpl. (1Pack for RH and LH)	
1.2	000102304.01-ET	Button head cap screw M 6 x 35 Torx-drive	25 Pc/Pac.
1.3	000128007-ET	Hex nut M 6 DIN 985	25 pcs./pack
1.4	000412.6309-ET	Label - Tie down point -, black	4 pcs./pack
1.4	000412.6307-ET	Label - Tie down point -, white	4 pcs./pack
2.1+1.4	84409100	Transport lock for angle adj. backrest incl. mounting accessories and tie down labels	2 pcs./pack

EXO Backrest upholstery, with long and fold down pushhandles

BH/RH in cm	Pos	n
25		
27,5		
30		
32,5	2.0	4
35	2.0	5
37,5	2.0	5
40	2.0	6
42,5	2.0	6
45	2.0	7
47,5	2.0	7
25 - 30	2.0	4
30 - 35	2.0	5
35 - 40	2.0	5
40 - 45	2.0	6
45 - 47,5	2.0	7
25	3.0	4
27,5	3.0	4
30	3.0	5
32,5	3.0	5
35	3.0	5
37,5	3.0	6
40	3.0	6
42,5	3.0	7
45	3.0	7
47,5	3.0	7
25 - 30	3.0	4
30 - 35	3.0	5
35 - 40	3.0	5
40 - 45	3.0	6
45 - 47,5	3.0	7



Pos	Item number	Description	Comment
1.1	06804022-001	EXO Backrest sling, synthetic fibre, padded, adjustable, 1 accessory bag, black, SW 20 - 42 with BH 20 - 40	Please order back belts, side and backrest pads separately
1.1	06804022-002	EXO Backrest sling, synthetic fibre, padded, adjustable, 1 accessory bag, black, SW 20 - 42 with BH 42,5 - 47,5 or SW 44 - 60 with BH 20 - 47,5	Please order back belts, side and backrest pads separately
1.1	06804023-001	EXO PRO Backrest sling, adjustable, breathable, 1 accessory bag, black, SW 20 - 42 with BH 20 - 40	Please order back belts, side and backrest pads separately
1.1	06804023-002	EXO PRO Backrest sling, adjustable, breathable, 1 accessory bag, black, SW 20 - 42 with BH 42,5 - 47,5 or SW 44 - 60 with BH 20 - 47,5	Please order back belts, side and backrest pads separately

EXO Backrest upholstery, with long and fold down pushhandles

Pos	Item number	Description	Comment
1.2	06804070-000	Back rest pad	
1.3-1.4	06804010-100	Side pad - used with long, short and fold down pushhandles	2 pcs.
1.5-1.7	06804031-001	Back belt cpl. SW22-42 (quantity needed see alongside chart)	1 pc
1.5-1.7	06804031-002	Back belt cpl. SW44-48 (quantity needed see alongside chart)	1 pc
1.5-1.7	06804031-003	Back belt cpl. SW50-60 (quantity needed see alongside chart)	1 pc
1.8	066877	Top backrest belt	
1.9	000069323-ET	Hook strap	2 pcs.
-	000849042	Shopping net	
1.10	06804110	Hook strap for mounting new upholstery on existing back belts	2m

EXO Backrest upholstery, with height adjustable pushhandles or without pushhandles

BH in cm	Pos	n
25	3.0	3
27,5	3.0	3
30	3.0	4
32,5	3.0	4
35	3.0	5
37,5	3.0	5
40	3.0	5
42,5	3.0	6
45	3.0	6
47,5	3.0	6
25 - 30	3.0	3
30 - 35	3.0	4
35 - 40	3.0	5
40 - 45	3.0	5
45 - 47,5	3.0	6

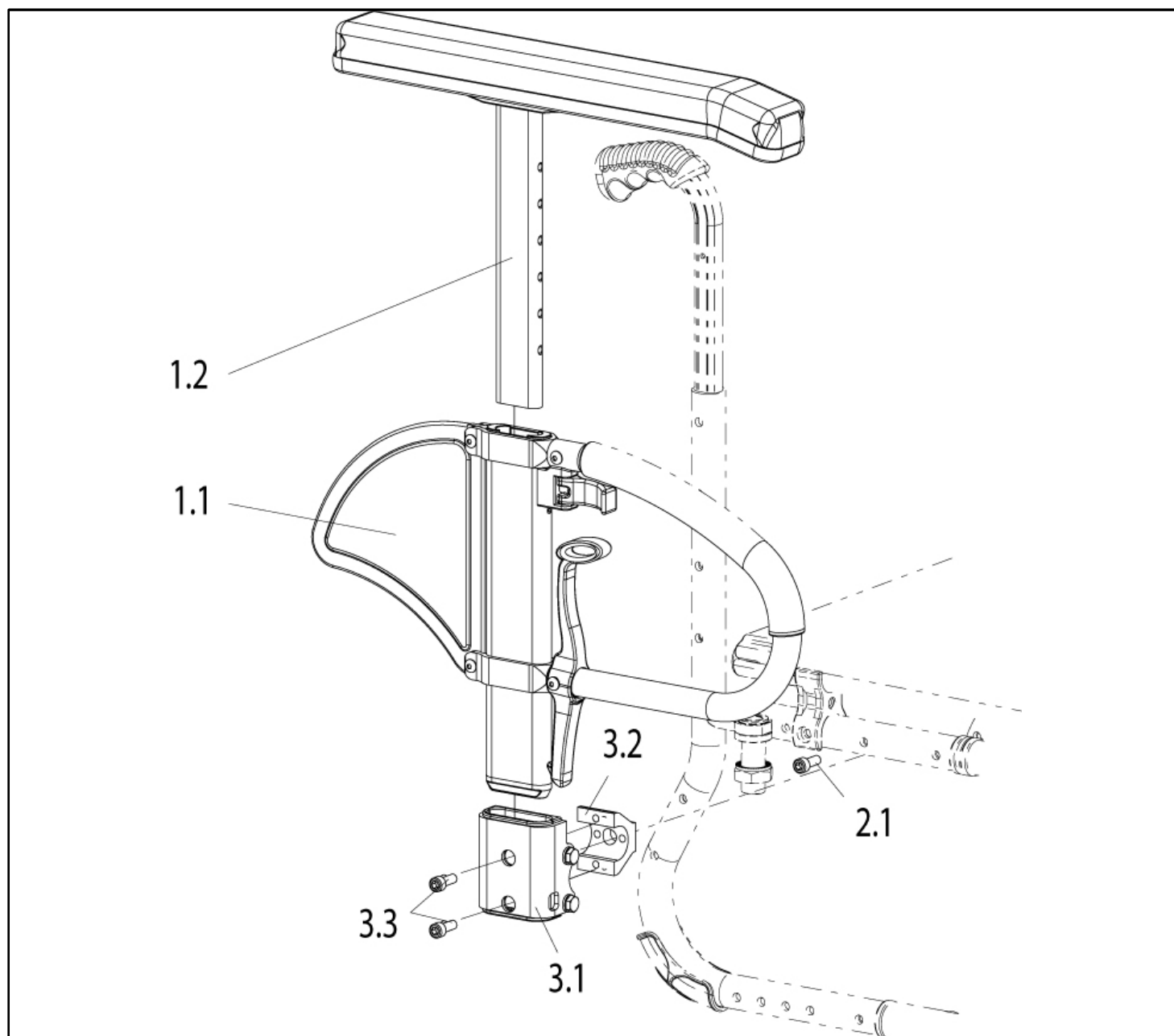
BH in cm	Pos	n
30-35	2.0	3
35-40	2.0	4
40-45	2.0	4
45-47,5	2.0	5

Pos	Item number	Description	Comment
1.1	06804022-001	EXO Backrest sling, synthetic fibre, padded, adjustable, 1 accessory bag, black, SW 20 - 42 with BH 20 - 40	Please order back belts, side and backrest pads separately
1.1	06804022-002	EXO Backrest sling, synthetic fibre, padded, adjustable, 1 accessory bag, black, SW 20 - 42 with BH 42,5 - 47,5 or SW 44 - 60 with BH 20 - 47,5	Please order back belts, side and backrest pads separately
1.1	06804023-001	EXO PRO Backrest sling, adjustable, breathable, 1 accessory bag, black, SW 20 - 42 with BH 20 - 40	Please order back belts, side and backrest pads separately
1.1	06804023-002	EXO PRO Backrest sling, adjustable, breathable, 1 accessory bag, black, SW 20 - 42 with BH 42,5 - 47,5 or SW 44 - 60 with BH 20 - 47,5	Please order back belts, side and backrest pads separately

EXO Backrest upholstery, with height adjustable pushhandles or without pushhandles

Pos	Item number	Description	Comment
1.2	06804070-000	Back rest pad	
1.3- 1.4	06804075- 020	Side pad - used with height adjustable pushhandles	pair
1.5- 1.6	06804075- 010	Side pad - used without pushhandles	2 pcs.
1.7-1.9	06804031-001	Back belt cpl. SW22-42 (quantity needed see alongside chart)	1 pc
1.7-1.9	06804031-002	Back belt cpl. SW44-48 (quantity needed see alongside chart)	1 pc
1.7-1.9	06804031-003	Back belt cpl. SW50-60 (quantity needed see alongside chart)	1 pc
1.10	06804110	Hook strap for mounting new upholstery on existing back belts	2m
1.11	066877	Top backrest belt	
1.12	000069323-ET	Hook strap	2 pcs.
-	000849042	Shopping net	

Single Post Sideguard with Armpad

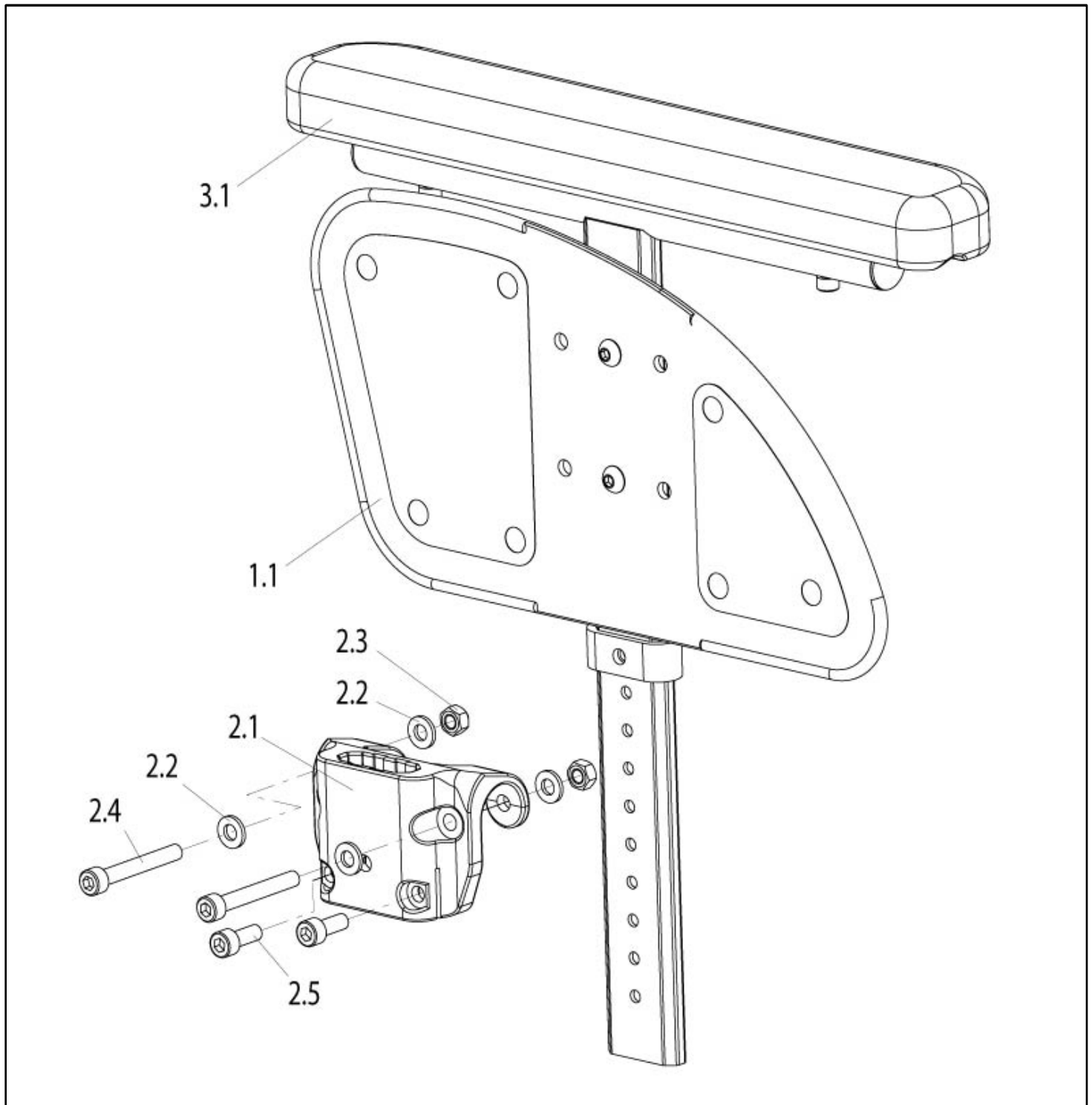


Pos	Item number	Description	Comment
1.1-3.3	072447-001	Single Post Sideguard with Armpad large (36 cm) and Fixation Bracket cpl.	Pair
1.1-3.3	072448-001	Single Post Sideguard with Armpad large (36 cm) and Fixation Bracket cpl.	can be used right & left
1.1-3.3	072447-002	Single Post Sideguard with Armpad short (25 cm) and Fixation Bracket cpl.	Pair
1.1-3.3	072448-002	Single Post Sideguard with Armpad short (25 cm) and Fixation Bracket cpl.	can be used right & left
1.2	072460-001	Armpad short (25 cm) cpl.	can be used right & left

Single Post Sideguard with Armpad

Pos	Item number	Description	Comment
1.2	072460-002	Armpad large (36 cm) cpl.	can be used right & left
2.1-3.3	072450	Fixation Bracket cpl.	can be used right & left
3.2	760861002	Bracket for brake	
3.3	058900-003-ET	Socket head screw M 6 x 16 - DIN 912	Pack of 25
	000102231-ET	Set screw M 6 x 10 DIN 551	25 Pcs.

Single post tool height adjustable armrest

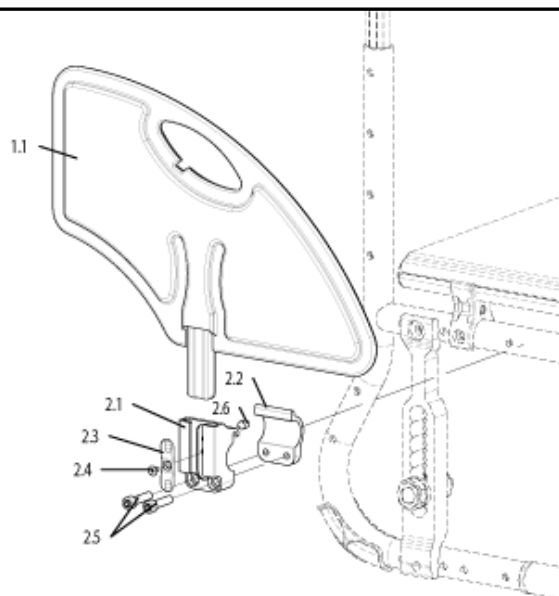


Pos	Item number	Description	Comment
1.1	067870-001	Tool height adjustable armrest	left
1.1	067870-002	Tool height adjustable armrest	right
2.1-2.5	067882	Fixation Bracket for tool height adj. armrest cpl.	LH/RH useable
2.2	058904-ET	Washer A 6,4 DIN 125	25 pcs./pack

Single post tool height adjustable armrest

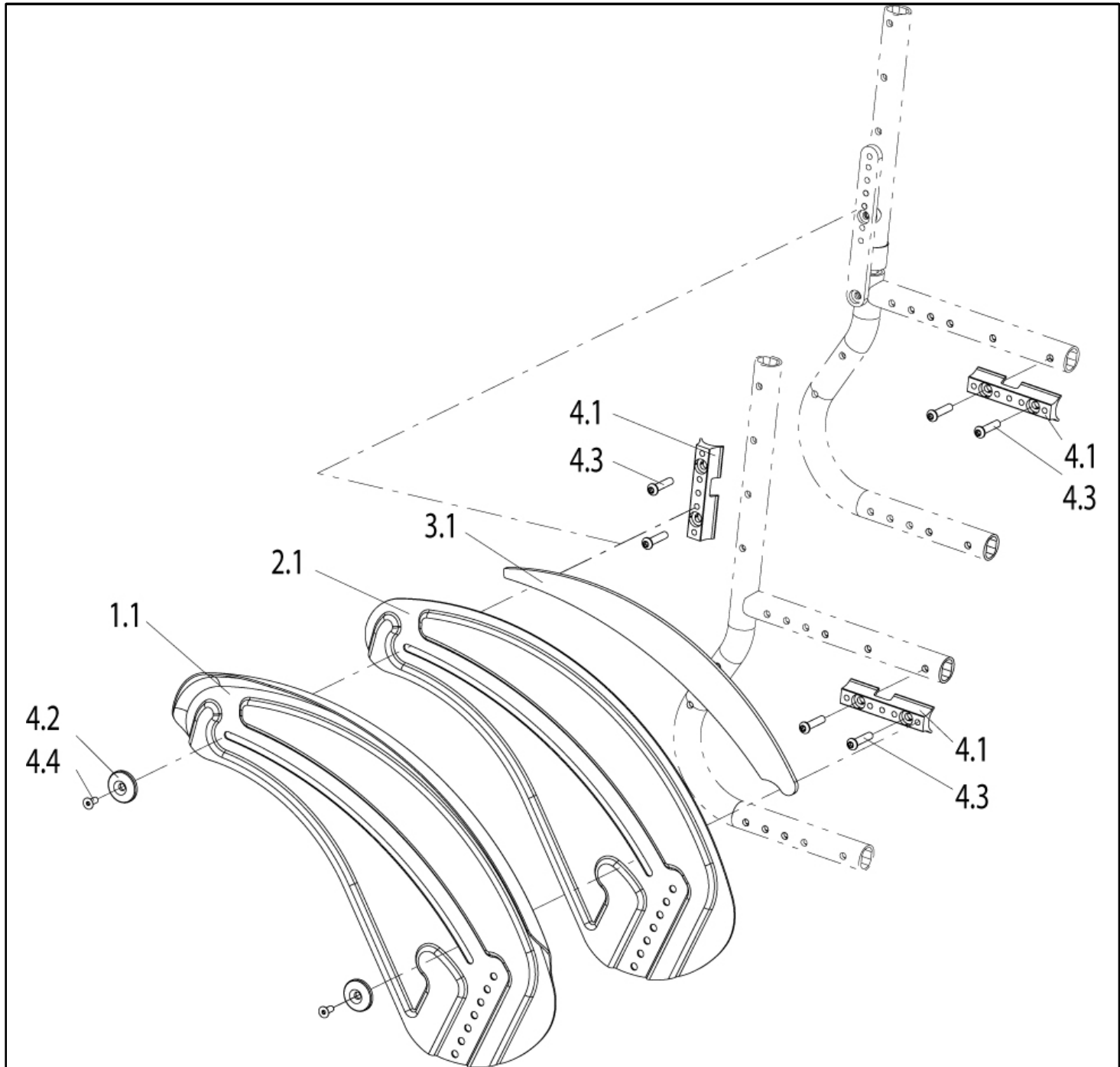
Pos	Item number	Description	Comment
2.3	058903-ET	Hex nut M 6 DIN 985	25 pcs./pack
2.4	000102018-ET	Socket cap screw M 6 x 45 DIN 912	10 pcs./pack
2.5	000102011-ET	Socket cap screw M 6 x 16 DIN 912	25 pcs./pack
-	067925	Armpad cpl. with mounting accessories	LH/RH usable

Plastic Sideguard, detachable



Pos	Item number	Description	Comment
1.1-2.6	072444	Plastic Sideguard regular, detachable with Fixation Bracket cpl.	Pair
1.1-2.6	072445	Plastic Sideguard regular, detachable with Fixation Bracket cpl.	can be used right & left
1.1	104164-001	Quickie Sidegurad plastic, removeable	can be used right & left
2.1-2.6	072446	Fixation Bracket for Plastic Sideguard cpl.	
2.5	058900-005-ET	Socket button head screw M 6 x 25 - DIN 912	Pack of 25

Aluminium Sideguard without/with Clothes Protector



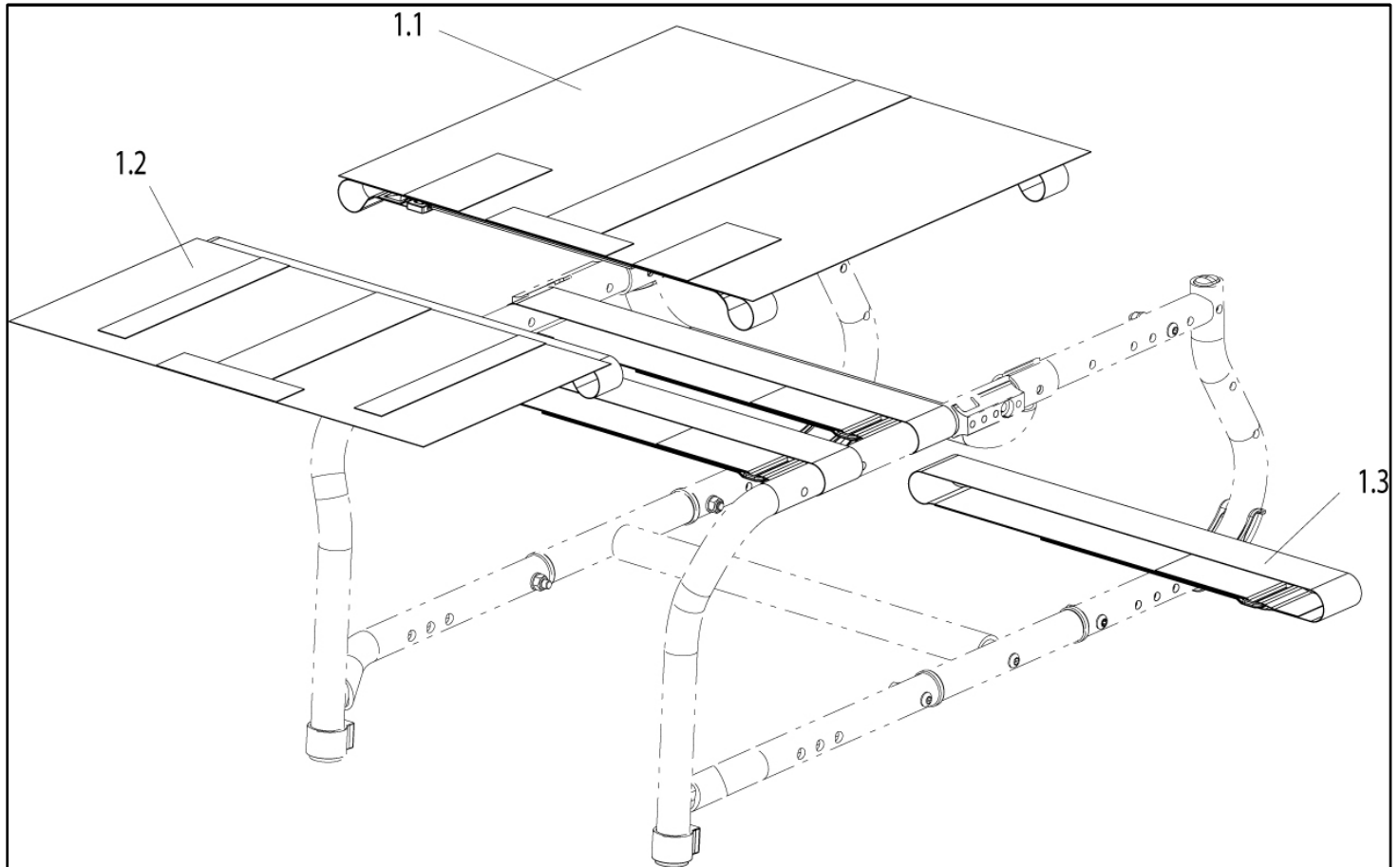
Pos	Item number	Description	Comment
1.1,3.1,4.1,4.4	072437	Aluminum Sideguard with Fender and cold Protection complete	Pair
1.1,3.1,4.4	072438	Aluminum Sideguard with Fender and cold Protection complete	left
1.1,3.1,4.1,4.4	072439	Aluminum Sideguard with Fender and cold Protection complete	right
1.1	072461	Aluminium Sideguard powder coated	left
1.1	072462	Aluminium Sideguard powder coated	right

Aluminium Sideguard without/with Clothes Protector

Pos	Item number	Description	Comment
2.1,3.1,4.1 4.4	072440	Aluminum Sideguard with cold Protection complete	Pair
2.1,3.1,4.1 4.4	072441	Aluminum Sideguard with cold Protection complete	left
2.1,3.1,4.1 4.4	072442	Aluminum Sideguard with cold Protection complete	right
2.1	072463	Aluminium Sideguard powder coated	left
2.1	072464	Aluminium Sideguard powder coated	right
3.1	066435-001	cold protection	left
3.1	066435-002	cold protection	right
4.1-4.4	072443	Fitting accessories for Sideguard	
4.2	066458-ET	Rosette for sideguard	10 pcs./pack
4.3	000102311.01-ET	Oval-head screw M 6 x 27 with Torx drive	25 pcs./pack
4.4	066902-001-ET	Counter sunk screw M 6 x 16 - DIN 7991	25 pcs./pack

Seat Sling

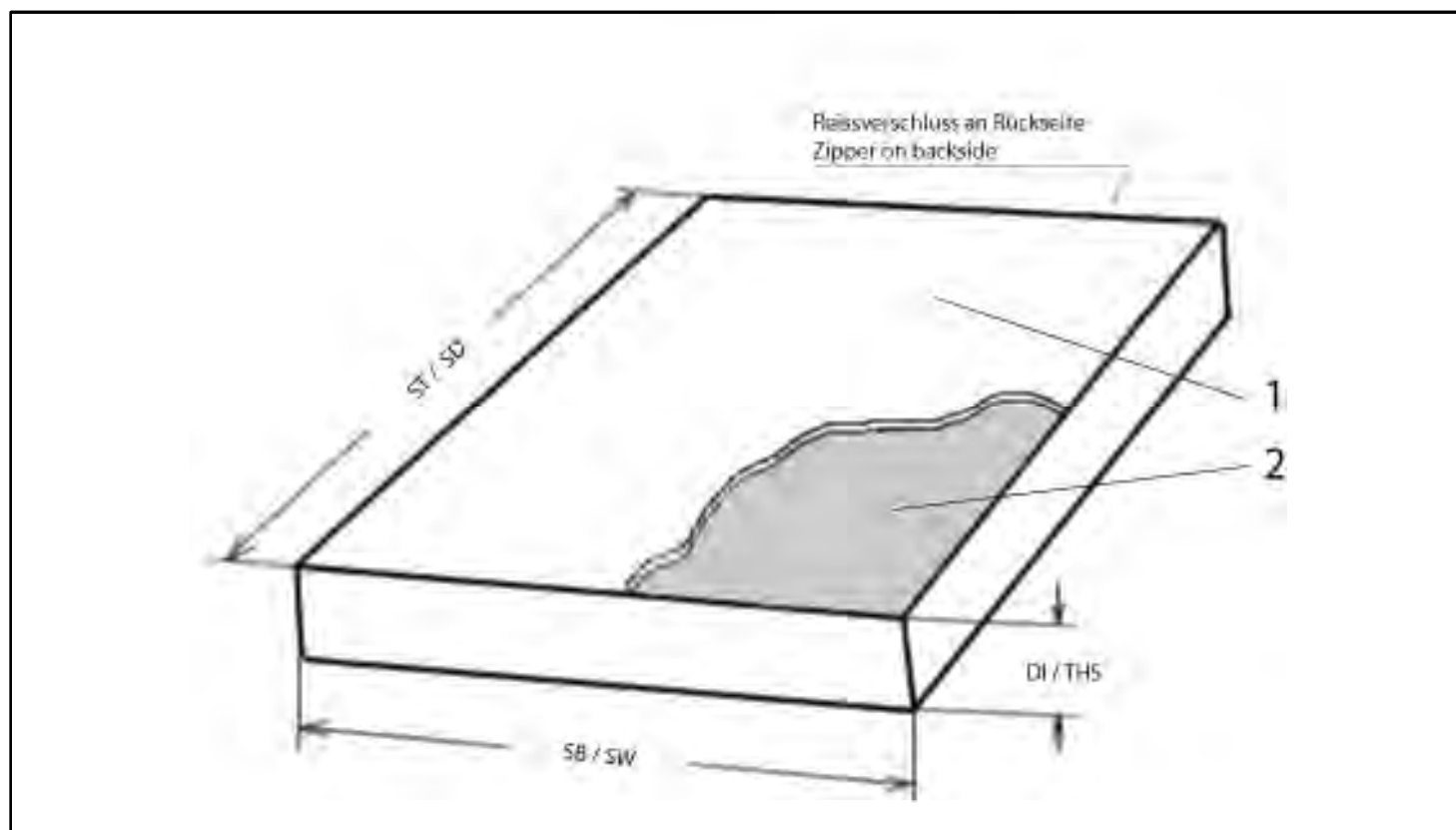
Seat Sling



Pos	Item number	Description	Comment
1.1+1.2	84402101-000	Seat upholstery cpl.	
1.3	84402103-001	Seat belt SW34 - 40	7 pcs./pack
1.3	84402103-002	Seat belt SW42 - 48	7 pcs./pack
1.3	84402005-001	Seat belt for tool height adj. Armrest SW34 - 40	1 pc
1.3	84402005-002	Seat belt for tool height adj. Armrest SW42 - 48	1 pc
-	84402004	Utility bag	

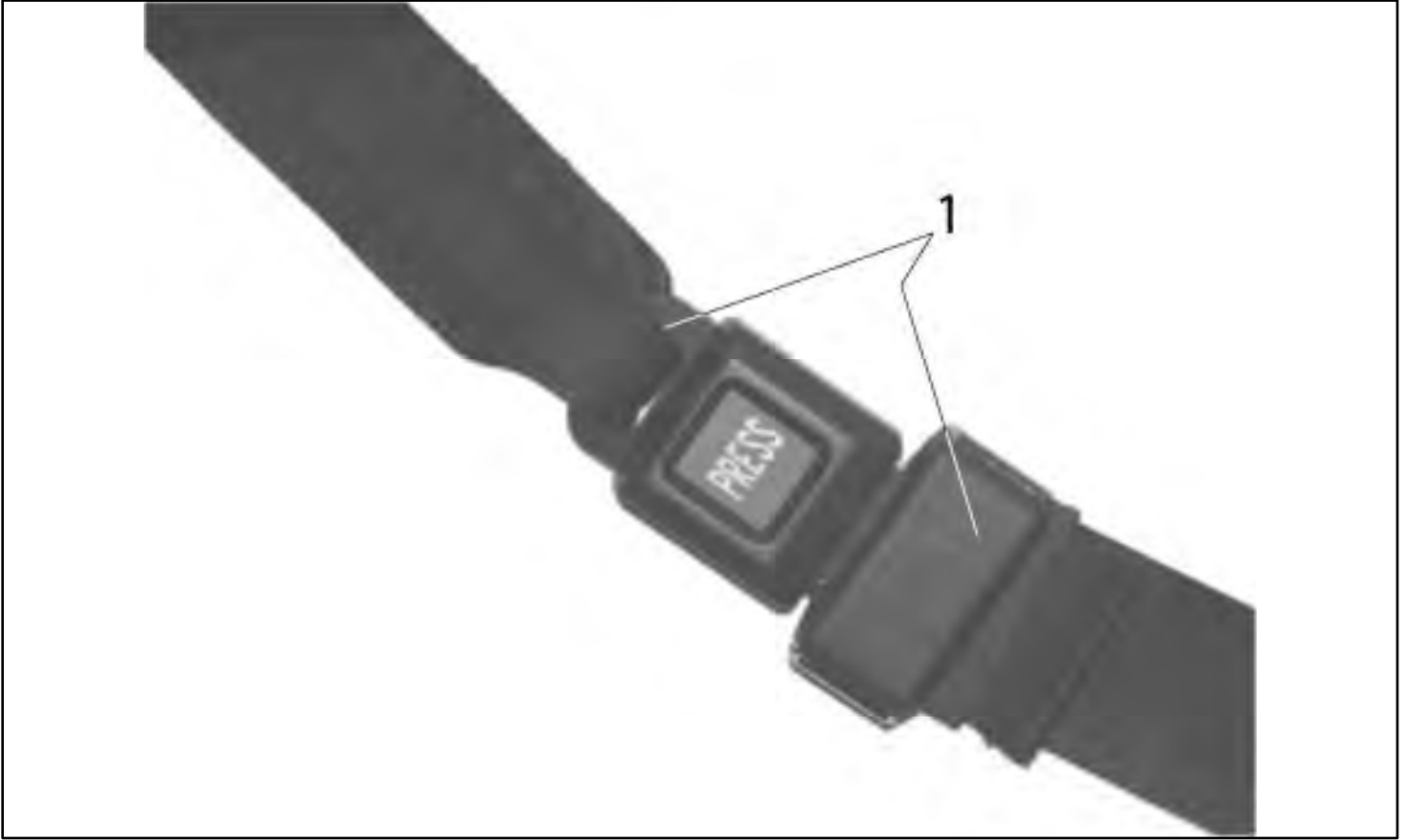
Seat cushion

Seat- and Backslings are customized manufactured and excluded from replacements!



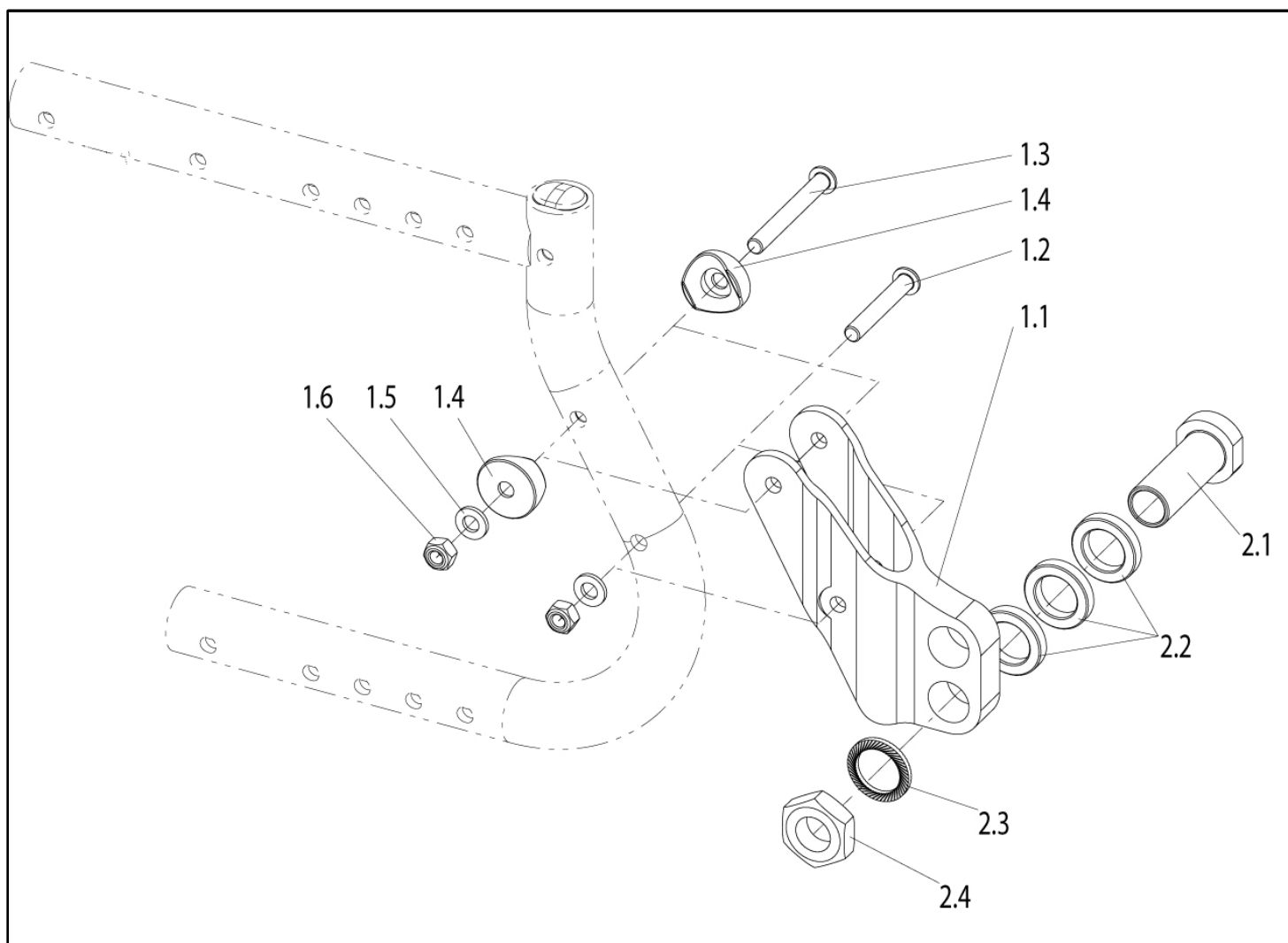
Pos	Item number	Description	Comment
1-2	000835002	Seat cushion and cover, black complete, cushion filling: Composite foam = 92	
1-2	000835003	Seat cushion and cover, black complete, cushion filling: Latex = 55	
1-2	000898063	KLIMA-TEX seat cushion and cover, black complete, cushion filling: Latex = 55	
1-2	000898060	KLIMA-TEX seat cushion and cover, black, cpl. Cushion filling: foam = 92	Only 3 or 5 cm thick
2	000835810	Seat cushion, filling composite foam	
2	000835820	Seat cushion, filling Latex	
1	000836002	Seat cushion cover, black	
-	000845010	Back cushion 3 cm. Black cover	

Lap Belt with Fastener



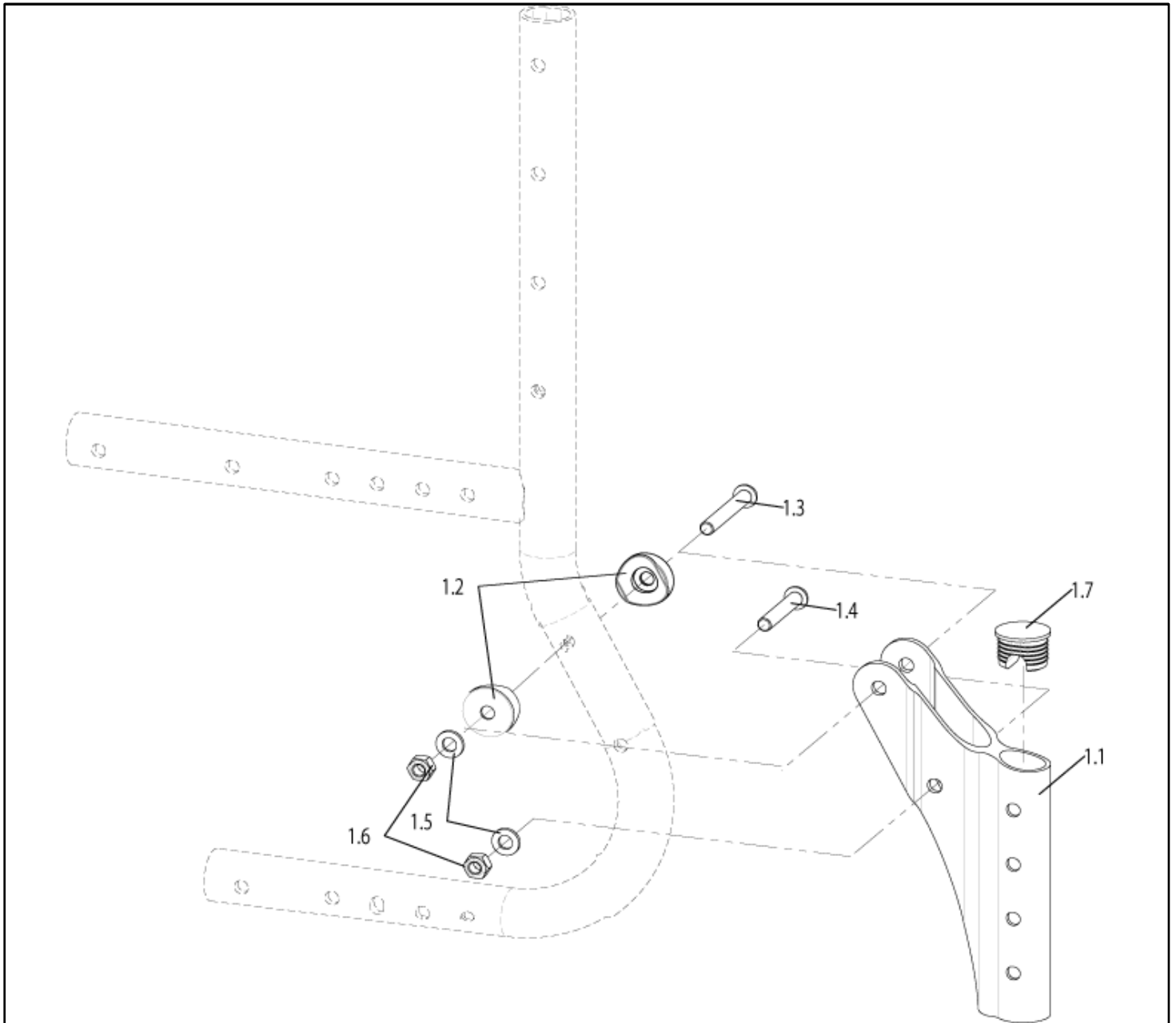
Pos	Item number	Description
1	069939	Lap belt with fastener up to SW: 40
1	069935	Lap belt with fastener from SW: 42

Handbike axle



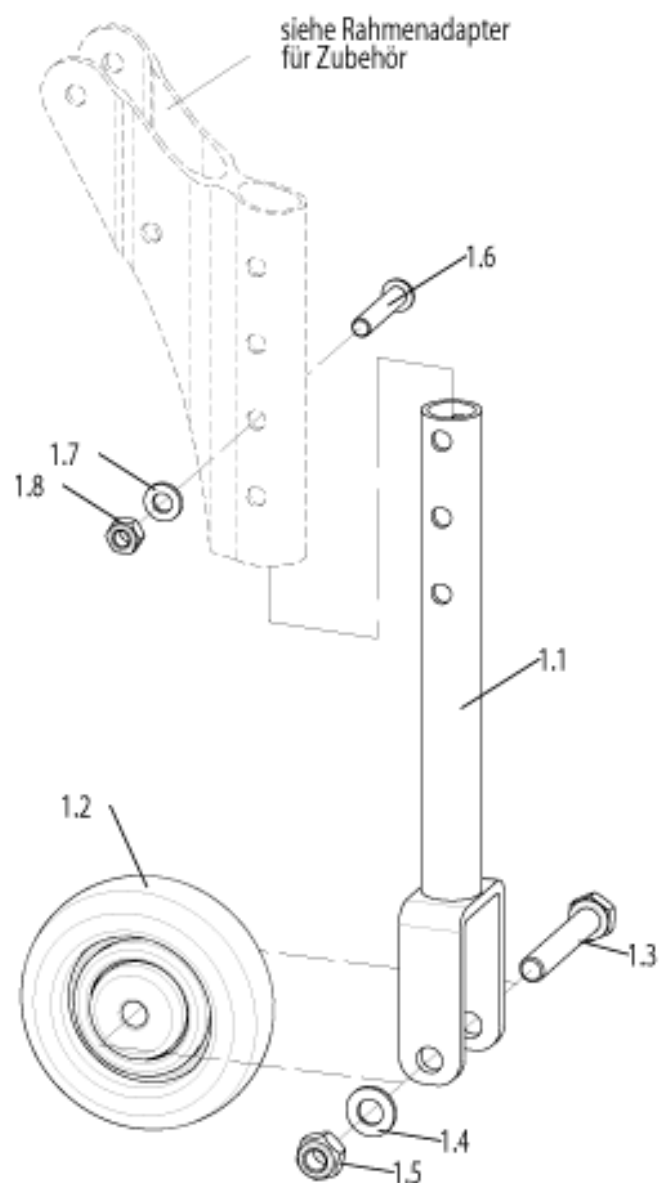
Pos	Item number	Description	Comment
1.1-2.4	84407102	Rear wheel extention cpl. (Max. user weight 100kg)	Pair
1.2	000102305.01-ET	Button head cap screw M 6 x 40 Torx drive	25 pcs./pack
1.3	000102313.01-ET	Button head cap screw M 6 x 50 with Torx drive	25 pcs./pack
1.4	000831232-ET	Spacer for sideguard	10 pcs./pack
1.5	000130107-ET	Washer A 6.4 DIN 125	25 pcs./pack
1.6	000128007-ET	Hex nut M 6 DIN 985	25 pcs./pack
2.2	000851071-ET	Spacer 5 mm	10 pcs./pack
2.3	000138002-ET	Lock washer	10 pcs./pack
2.4	000220256-ET	Hex nut für adaptor	10 pcs./pack

Frame adapter for accessories



Pos	Item number	Description	Comment
1.1-1-7	072705	Accessories fixation complete	can be used right & left
1.2	000831232-ET	Half shell for cross-brace - black POM	Pack of 10
1.3	000102056.01-ET	Screw M 6 x 45 mit Torx-Antrieb	Pack of 25
1.4	000102317.01-ET	Screw M 6 x 37 mit Torx-Antrieb	Pack of 25
1.5	000130107-ET	Washer A6.4 DIN 125	Pack of 25
1.6	000128007-ET	Hex nut M 6 DIN 985	Pack of 25
1.7	760827007-ET	End stoppers	Pack of 10

Transit Wheel

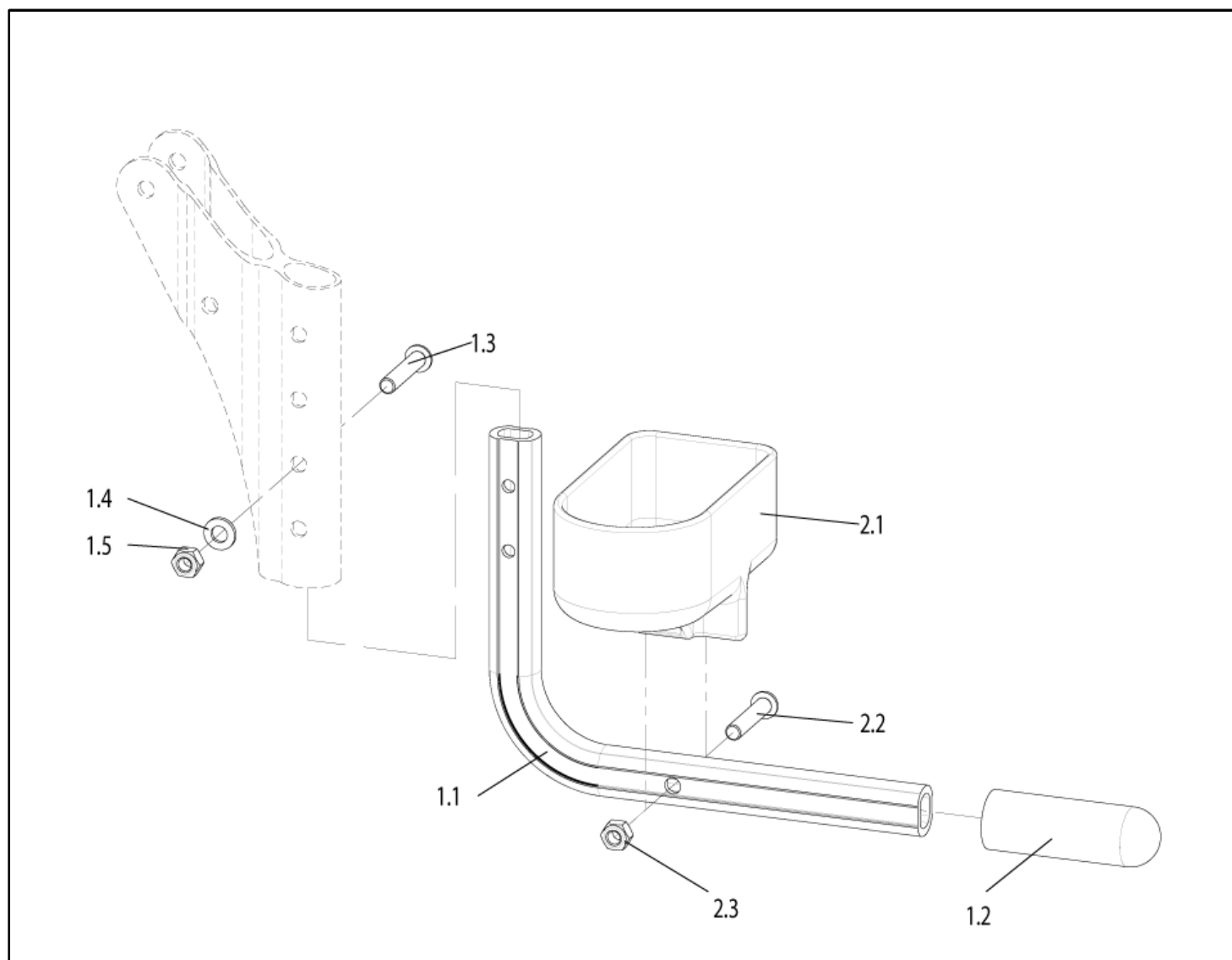


Pos	Item number	Description	Comment
1.1-1-8	760858020	Transit wheel, cpl.	can be used right & left
1.3	000100016-ET	Hex screw M 8 x 50 DIN 931	Pack of 25
1.4	000130108-ET	A 8.4 washer DIN 125	Pack of 25
1.5	000128018-ET	Hex nut M 8 DIN 985	Pack of 25
1.6	000102312.01-ET	Oval-head screw M 6 x 32 with Torx drive	Pack of 25
1.7	000130107-ET	Washer A6.4 DIN 125	Pack of 25

Transit Wheel

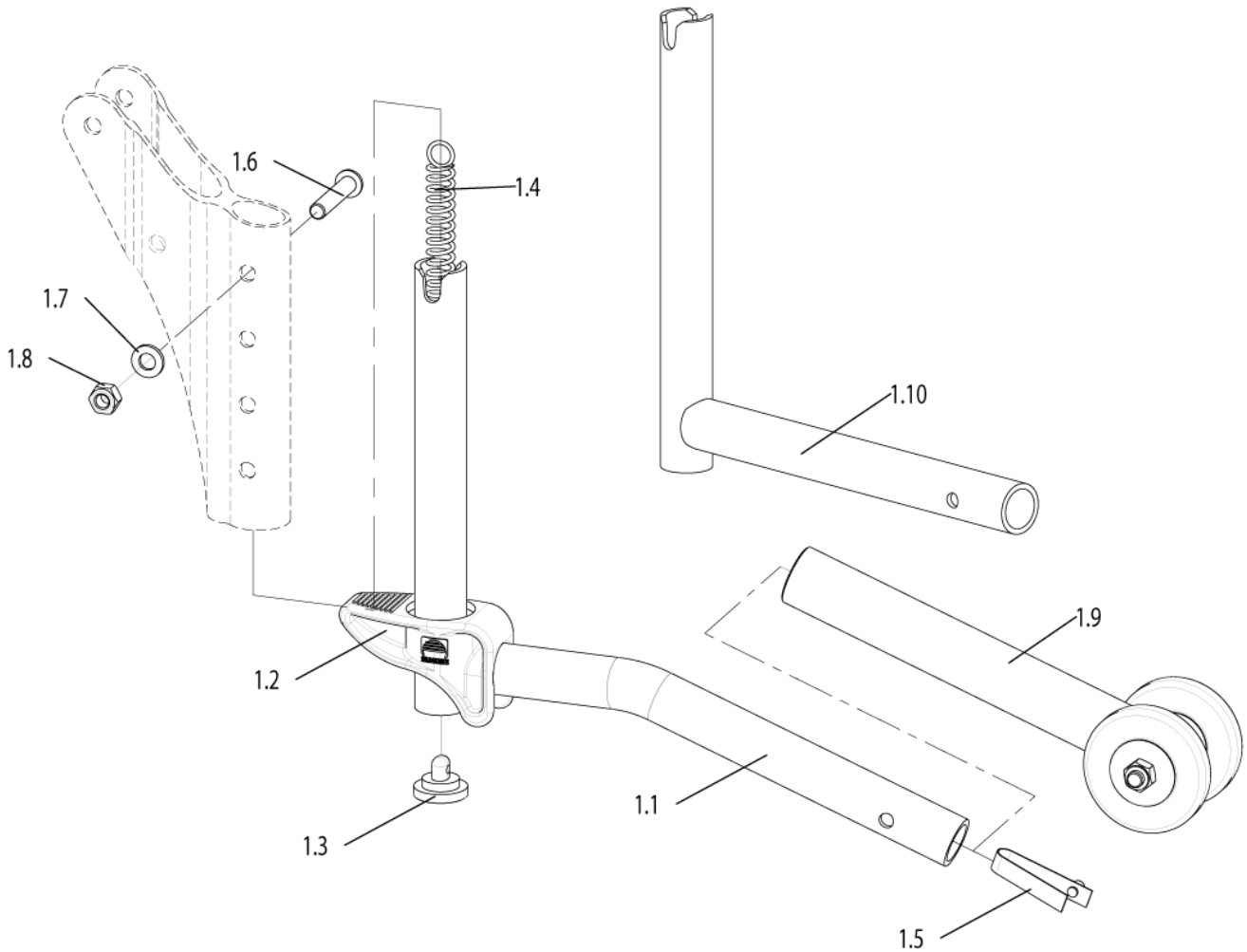
Pos	Item number	Description	Comment
1.8	000128007-ET	Hex nut M 6 DIN 985	Pack of 25

Tip assist



Pos	Item number	Description	Comment
1.1-1.5	740815115	Tipping tube cpl.	can be used right & left
1.2	000282041-ET	Cap 18 x 28, black PVC	Pack of 10
1.3	000102312.01-ET	Oval-head screw M 6 x 32 with Torx drive	Pack of 25
1.4	000130107-ET	Washer A6.4 DIN 125	Pack of 25
1.5	000128007-ET	Hex nut M 6 DIN 985	Pack of 25
2.1-2.3	740815120	Crutch Holder with Velcro cpl.	
2.2	000102312.01-ET	Oval-head screw M 6 x 32 with Torx drive	Pack of 25
2.3	000128007-ET	Hex nut M 6 DIN 985	Pack of 25

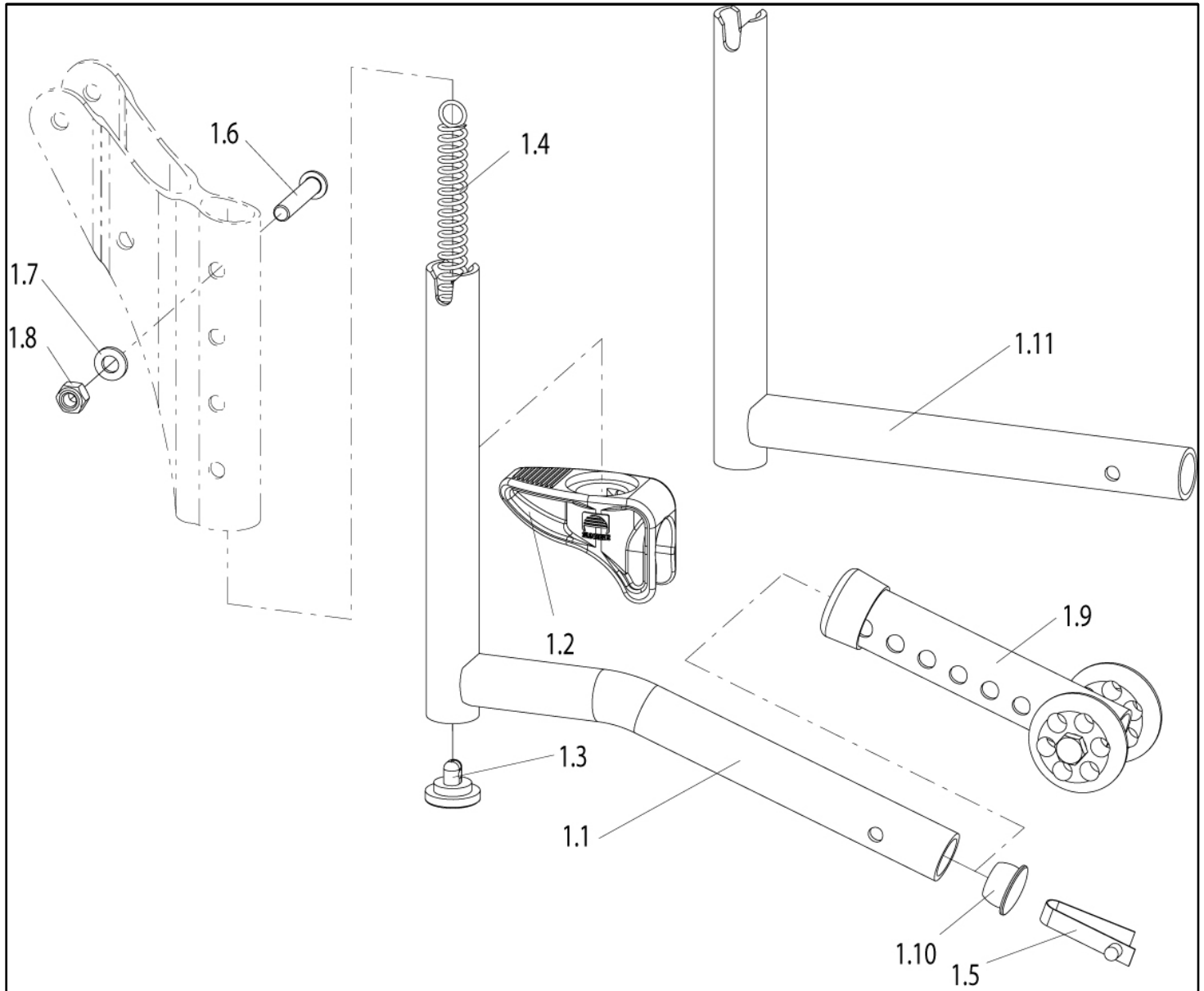
Anti-tip tube



Pos	Item number	Description	Comment
1.1-1.9	000859202	Swingaway anti-tip tubes for 24Inch and 26Inch cpl. (without frame adapter)	can be used right & left
1.2-1.10	000859212	Swingaway anti-tip tube, complete. For 20Inch and 22Inch rear wheels	can be used right & left
1.1-1.8	000859201	Anti-tip tube adapter 24Inch and 26Inch cpl.	
1.2-1.8,1.10	000859203	Anti-tip tube adapter 20Inch and 22Inch cpl.	
1.1	000859205	Anti-tip tube adapter 24Inch and 26Inch	
1.2	000859001	Pedal for anti-tip tube	
1.3	000859204	Bracket for tension spring	
1.4	000242024	Tension spring for anti-tip tube	
1.5	064711-ET	Support spring with bolt d = 5 mm	5 pcs./pack
1.6	000102312.01-ET	Oval-head screw M 6 x 32 with Torx drive	Pack of 25

Pos	Item number	Description	Comment
1.7	000130107-ET	Washer A6.4 DIN 125	Pack of 25
1.8	000128007-ET	Hex nut M 6 DIN 985	Pack of 25
1.9	000859208	Holder for anti-tip tube, complete	
1.10	000859207	Anti-tip tube adapter 20Inch / 22Inch	

Anti tip tubes swing away, aluminium lightweight



Pos	Item number	Description	Comment
1.1-1.10	072714-002	Swingaway anti-tip tubes for 24Inch and 26Inch cpl. (without frame adapter)	Pair
1.1+1.5+	84307005	Anti-tip tube adapter, aluminium lightweight, 24Inch and 26Inch	
1.2-1.11	072714-001	Swingaway anti-tip tubes for 20Inch and 22Inch cpl. (without frame adapter)	Pair
1.2	000859001	Pedal for anti-tip tube	
1.3	000859204	Bracket for tension spring	
1.4	000242024	Tension spring for anti-tip tubes	
1.5	064711-ET	Support spring with bolt d = 5 mm	
1.6	000102312.01-ET	oval-head screw M 6 x 32 with Torx drive	25 pcs./pack
1.7	000130107-ET	Washer A 6.4 DIN 125	25 pcs./pack

Anti tip tubes swing away, aluminium lightweight

Pos	Item number	Description	Comment
1.8	000128007-ET	Hex nut M 6 DIN 985	25 pcs./pack
1.10	756841055-ET	Plastic plug	10 pcs./pack
1.11+1.5+ 8430	84307009	Anti-tip tube adapter, aluminium lightweight, 20Inch and 22Inch	

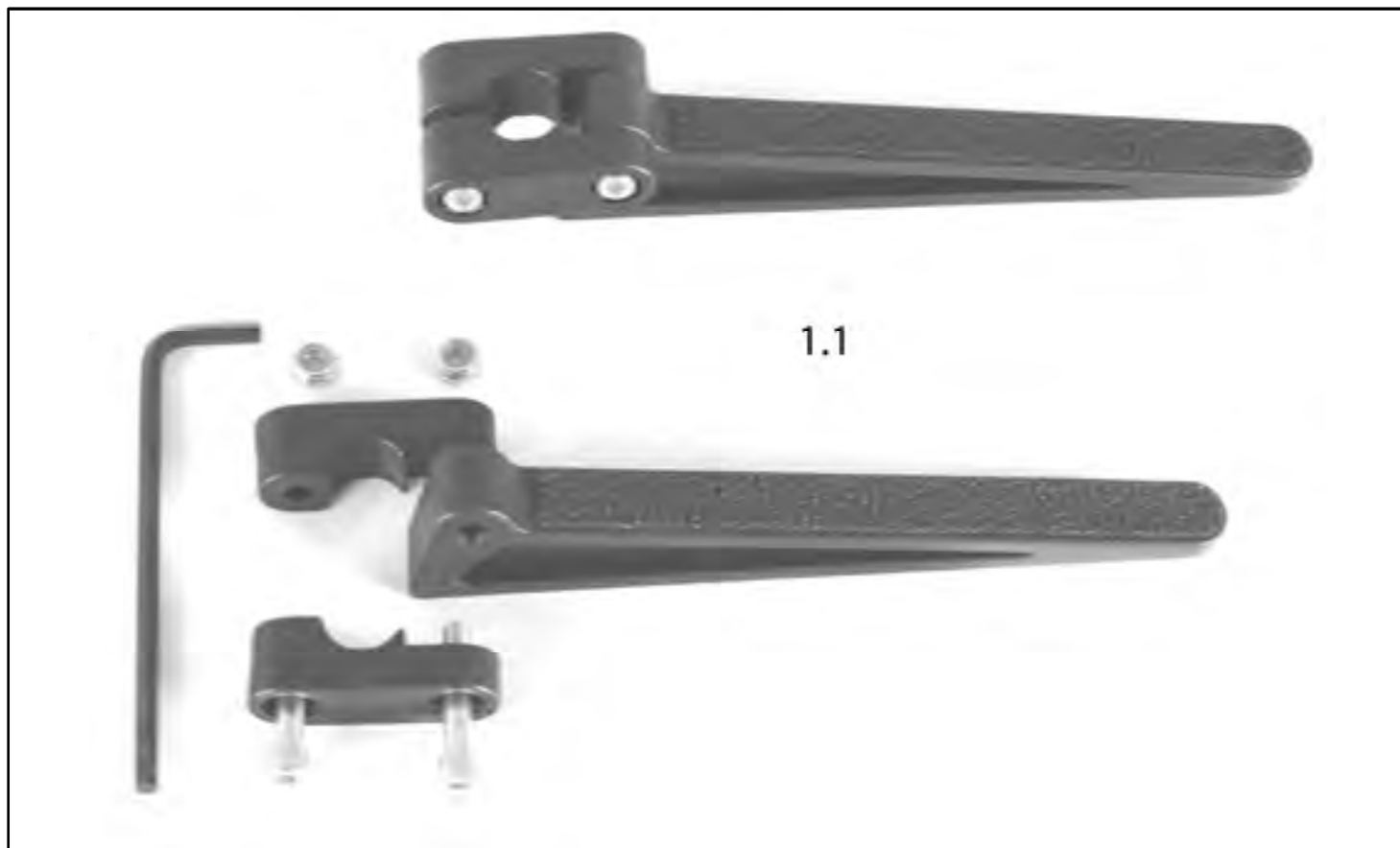
Tool kit

Tool kit



Pos	Item number	Description
1	000604270	Tools kit

Caddy



Pos	Item number	Description	Comment
1.1	L902350	Caddy, bag carrier, cpl.	Pair

Wheelchair Backback

Wheelchair Backback



Pos	Item number	Description
1.1	000670001	Wheelchair backpack, black

Mobile Phone Case



Pos	Item number	Description	Comment
1	000670006	Mobile phone case QIUCKIE	Für alle Stuhltypen passend
2	000670005	Mobile phone case SOPUR	Für alle Stuhltypen passend

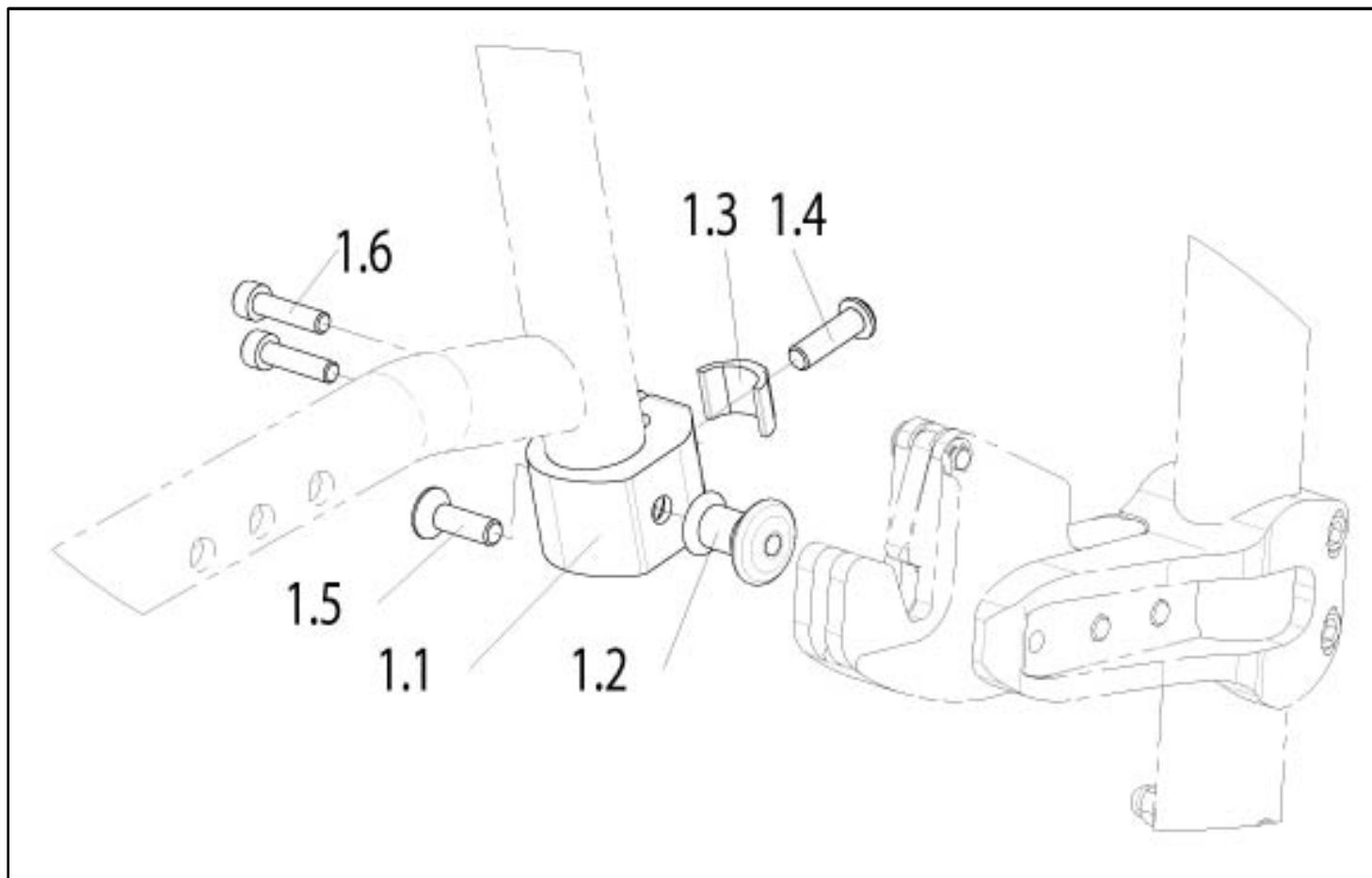
Accessories

Accessories

Kein Bild vorhanden
no image available

Pos	Item number	Description	Comment
	000859104	Air pump with mounting	
	000228005	High Pressure Pump	

Docking Attitude



Pos	Item number	Description	Comment
1.1-1.6	47301036	Clamp docking Attitude for Easy tube cpl.	
1.6	066901-001-ET	Socket head cap screw M5 x 20 DIN 912	25 pcs./pack
1.4	000102307.01-ET	Button head cap screw M 6 x 20 Torx drive	25 pcs./pack
1.3	760827002-ET	Pressure piece	10 pcs./pack