



**Neon<sup>2</sup>**

**Spare Parts  
Catalogue**

  
**QUICKIE®**



This product is manufactured to comply with the Medical Device Directive 93/42/EEC.

### **Use of Illustrations & Text:**

The illustrations and accompanying text set out in this document are the property of Sunrise Medical Limited and must not be copied or used for manufacturing, tendering or any other purpose without written consent from Sunrise Medical.

### **Ordering:**

Item numbers shown as N/A are for reference purposes only and should not be used when ordering replacement parts. Always quote the correct serial number and part number.

### **Quality Management Systems:**

Sunrise Medical Limited is accredited to ISO 9001: 2008, which is the internationally recognised standard for quality management systems, as well as ISO 13485: 2012, which specially governs Medical Devices. These approvals ensure that we provide quality in all areas of our business from development through to final delivery.

### **Parts Disclaimer:**

It is potentially hazardous to fit or use any parts other than genuine Sunrise Medical parts. The company disclaims all liability for the consequences of such use, which in addition voids the product warranty.

This product is for the carriage of one person and must not under any circumstances be used for any other purpose.

### **Queries:**

Should you have any queries then please contact Sunrise Medical Ltd on

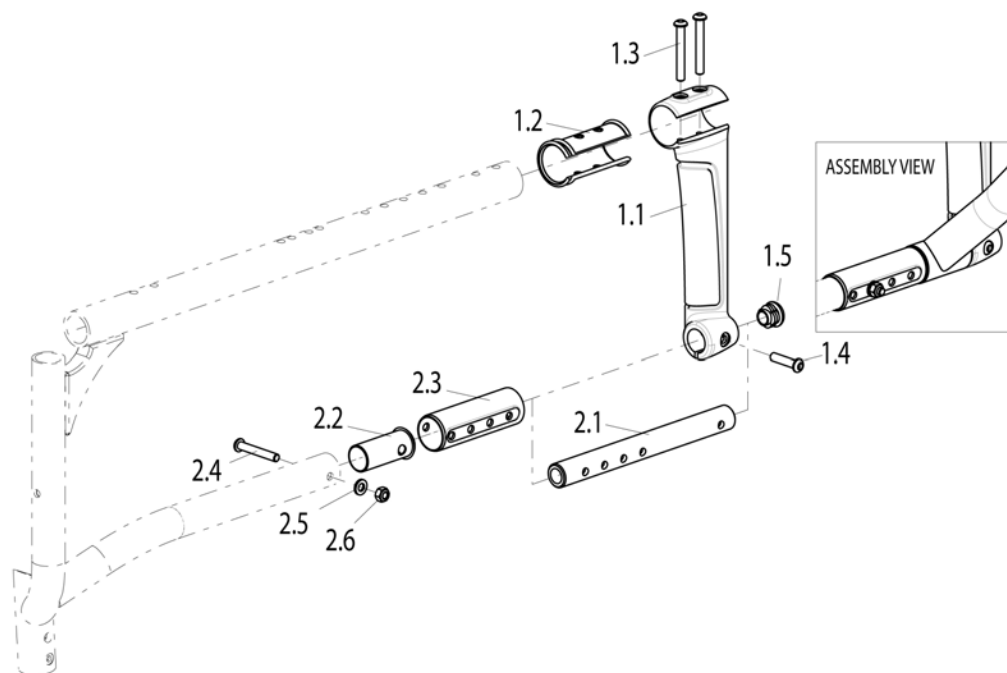
Tel +44(0) 845 605 6688  
Fax +44(0) 845 605 6689

QUICKIE Neon2.....	5
REAR WHEEL .....	5
Axle stem cpl.....	5
COG adapter, standard.....	7
COG adapter, lightweight.....	8
COG adapter, drum brake .....	9
Universal rear wheel and handrim .....	10
Spinergy wheel .....	13
Lightweight rear wheel and handrim .....	16
Design rear wheel and handrim .....	19
Proton rear wheel and hand rim.....	21
Mountain bike rear wheel and handrim.....	24
Max Grepp Ergo Para hand rim .....	26
Drumbrake - rear wheel see assembly BRAKE .....	27
Spoke guards.....	28
Spoke guards, kids .....	30
Spoke guards, teens .....	32
Spoke guards, adults .....	34
BRAKE .....	36
Standard brake with plate .....	36
Standard brake with clamp .....	37
Knee lever brake with plate.....	39
Knee lever brake with clamp.....	40
One arm wheel lock with clamp .....	41
One arm wheel lock with plate .....	43
Activation for drum brake .....	45
Drum brake / drum brake-rear wheel .....	47
Compact - Brake .....	49
FOOTREST .....	50
Hanger, aluminium, swing away .....	50
Hanger, aluminium, flip-up, swing away (ELR) .....	52
Footboard measuring overview.....	54
Footboard divided, composit, flip up and angle adjustable .....	55
Footboard divided, aluminium .....	57
Footboard divided, aluminium, short LLL.....	59
Footboard platform, aluminium, angle adjustable .....	61
Footboard platform, aluminium, angle adjustable, high mount .....	63
Platform footrest, angle adjustable, performance .....	65
Platform footrest, lightweight, angle- and depth adjustable .....	67
EU Quickie Hemi Hanger 70° .....	69
CASTOR .....	70
Forks and castors .....	70
One arm fork and castors .....	73
FRAME .....	75
Frame.....	75
Hemi Frame .....	77
Frame protection.....	79

## Table Of Contents

BACKREST.....	80
Backrest, fixed (90°).....	80
Backrest, angle-adjustable.....	82
Pushhandles .....	83
Pushhandles, standard - height adjustable.....	85
EXO Backrest upholstery height adj or without pushhandles .....	86
EXO Backrest upholstery short, long and fold down pushhandles .....	88
Stabilising bar autofolding.....	90
TherapyTray, swingaway .....	92
Therapy Tray slide on .....	94
Stabilising bar and headrest .....	95
SIDEGUARD.....	97
Sideguard, aluminium and carbon .....	97
Desk side guard, backrest, fixed (90°) .....	99
Desk side guard, backrest, angle adjustable .....	101
Armpad for desk sideguard.....	103
Singel post sideguard, height-adjustable .....	104
Single post sideguard, depth- and height-adjustable.....	105
Tubular armrest, padded.....	107
Side guard Composite, detachable.....	108
SEAT / CROSS BRACE .....	109
Seat / X-brace .....	109
ACCESSORIES .....	111
Accessory bracket.....	111
Anti-tip tubes, swing-away .....	112
Transit wheels.....	114
Tip assist and crutch holder .....	117
Crash test option/140kg version .....	119
Tool kit .....	121
Positioning Belt with lock .....	122
Caddy.....	123
Back pack .....	124
Seat cushion and cover .....	125
HEMI PARTS .....	126
Hemi Frame .....	126
EU Quickie Hemi Hanger 70° .....	128

## Axle stem cpl.



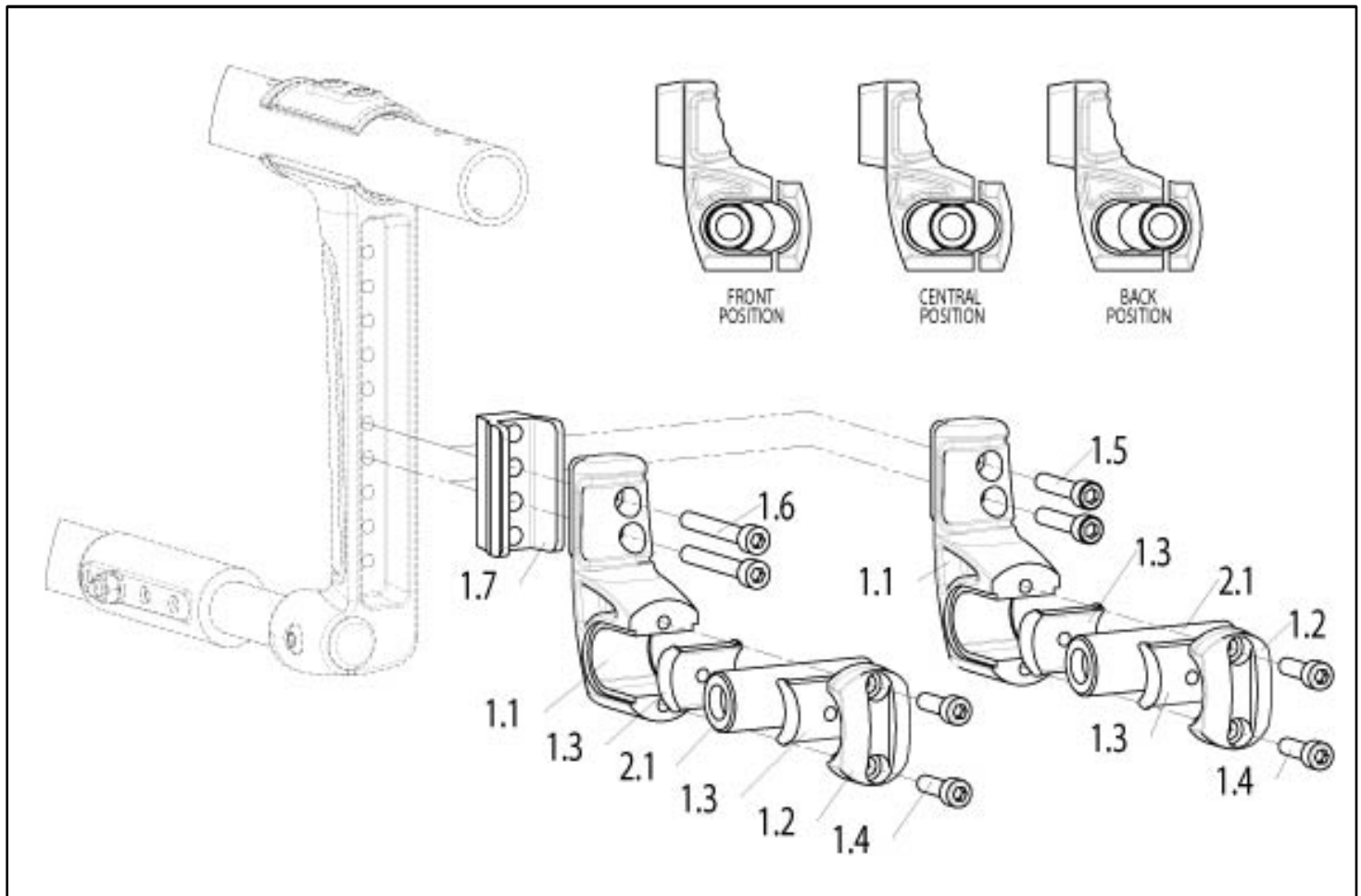
Pos	Item number	Description	Comment
1.1 - 1.5	05307101-000	Axle plate, cpl.	pair
1.1 - 1.5	05307101-001	Axle plate, cpl.	left
1.1 - 1.5	05307101-002	Axle plate, cpl.	right
1.1 - 2.6	05307110-000	Axle plate with telescopic tubes, cpl.	pair
1.1 - 2.6	05307110-001	Axle plate with telescopic tubes, cpl.	left
1.1 - 2.6	05307110-002	Axle plate with telescopic tubes, cpl.	right
1.2	05302003-ET	Axle plate sleeve	2 pcs./pack
1.3	000102056.01-ET	Button head cap screw M 6 x 45 Torx drive	25 pcs./pack
1.5	000282038-ET	Louvered cap 20mm	25 pcs./pack
2.1 - 2.6	05301007-ET	Telescopic tube, cpl.	left/right useable
2.4	000102305.01-ET	Oval head screw M6 x 40 with Torx drive	25 pcs./pack
2.5	000130107-ET	Washer A 6,4 DIN125	25 pcs./pack

**Axle stem cpl.**

---

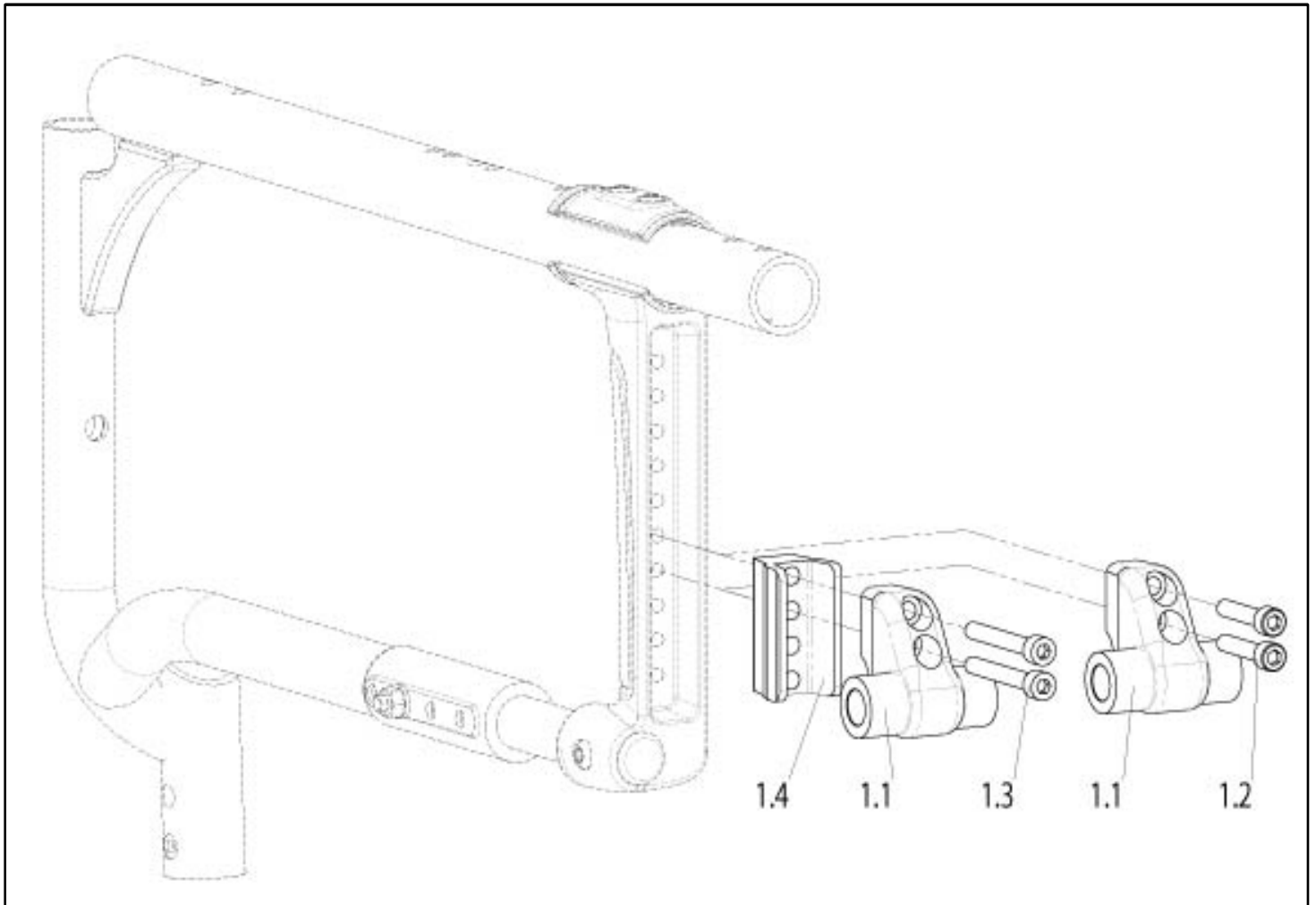
<b>Pos</b>	<b>Item number</b>	<b>Description</b>	<b>Comment</b>
2.6	000128007-ET	Hex nut - DIN 985 - M6	25 pcs./pack

**COG adapter, standard**



Pos	Item number	Description	Comment
1.1 - 1.5	05307103	Axle receiver standard, cpl, for use with COG 5 and 7-12	left/right useable
1.1-1.4 + 1.6-1.7	05307104	Axle receiver standard, cpl, for use with COG 2-4 and 6	left/right useable
1.6-1.7	05307105	Conversion kit COG COG 2-4 and 6 for standard axle receiver	left/right useable
2.1	054506-001	Axle sleeve 0°	
2.1	054506-002	Axle sleeve 2°	
2.1	054506-003	Axle sleeve 4°	

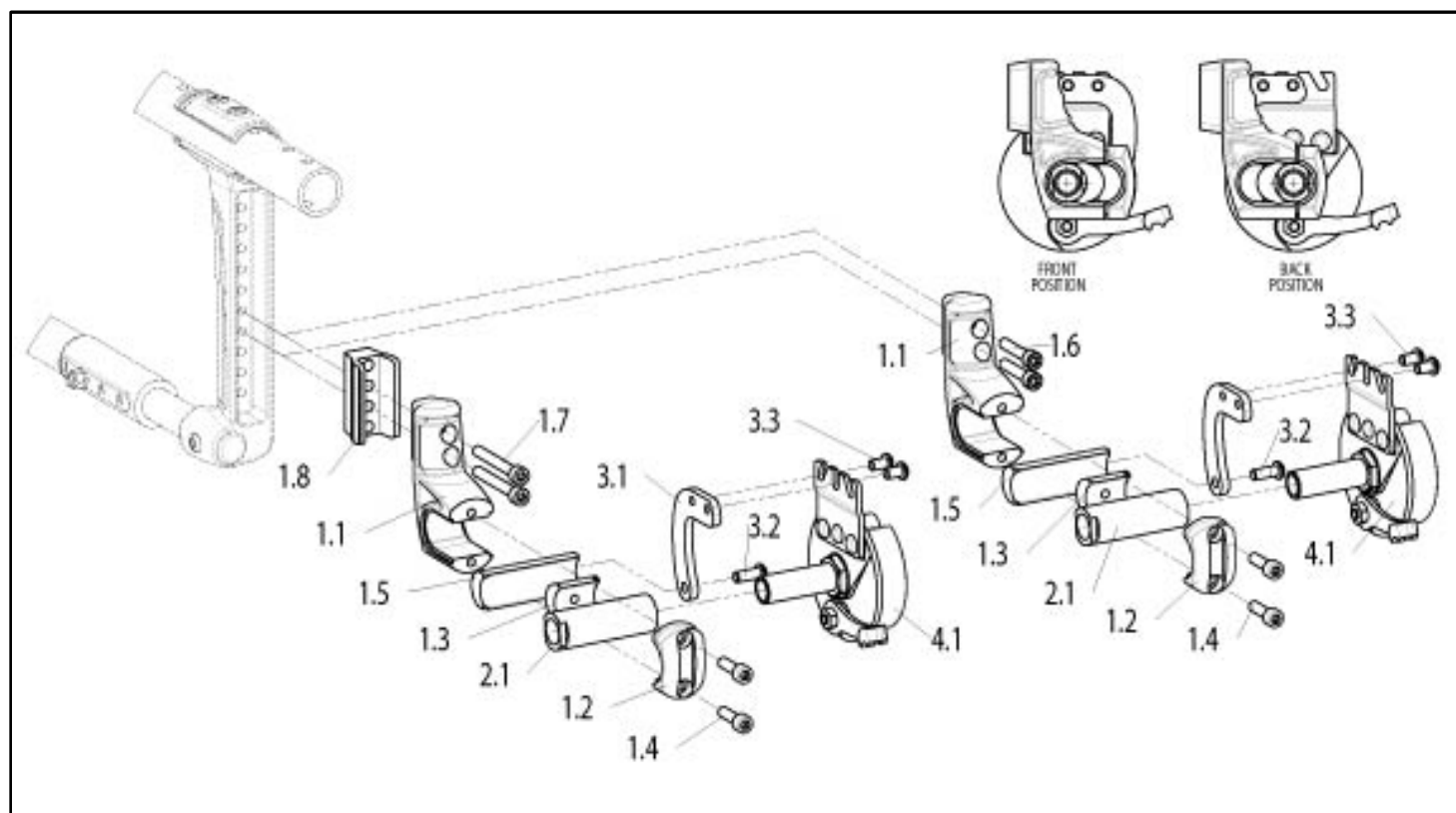
**COG adapter, lightweight**



Pos	Item number	Description	Comment
1.1 - 1.2	05307106	Axle receiver lightweight cpl, for use with COG 6, 8, 10 and 12	pair
1.1 + 1.3-1.4	05307107	Axle receiver lightweight cpl, for use with COG 5, 7, 9 und 11	pair
1.3-1.4	05307108	Conversion kit COG COG 5, 7, 9 and 11 for lightweight axle receiver	left/right useable
1.2	103174-ET	Socket head cap screw M6 x 30 DIN 912	25pcs./pack
1.3	000102135-ET	Socket head cap screw M 6 x 45 - DIN 912	25pcs./pack

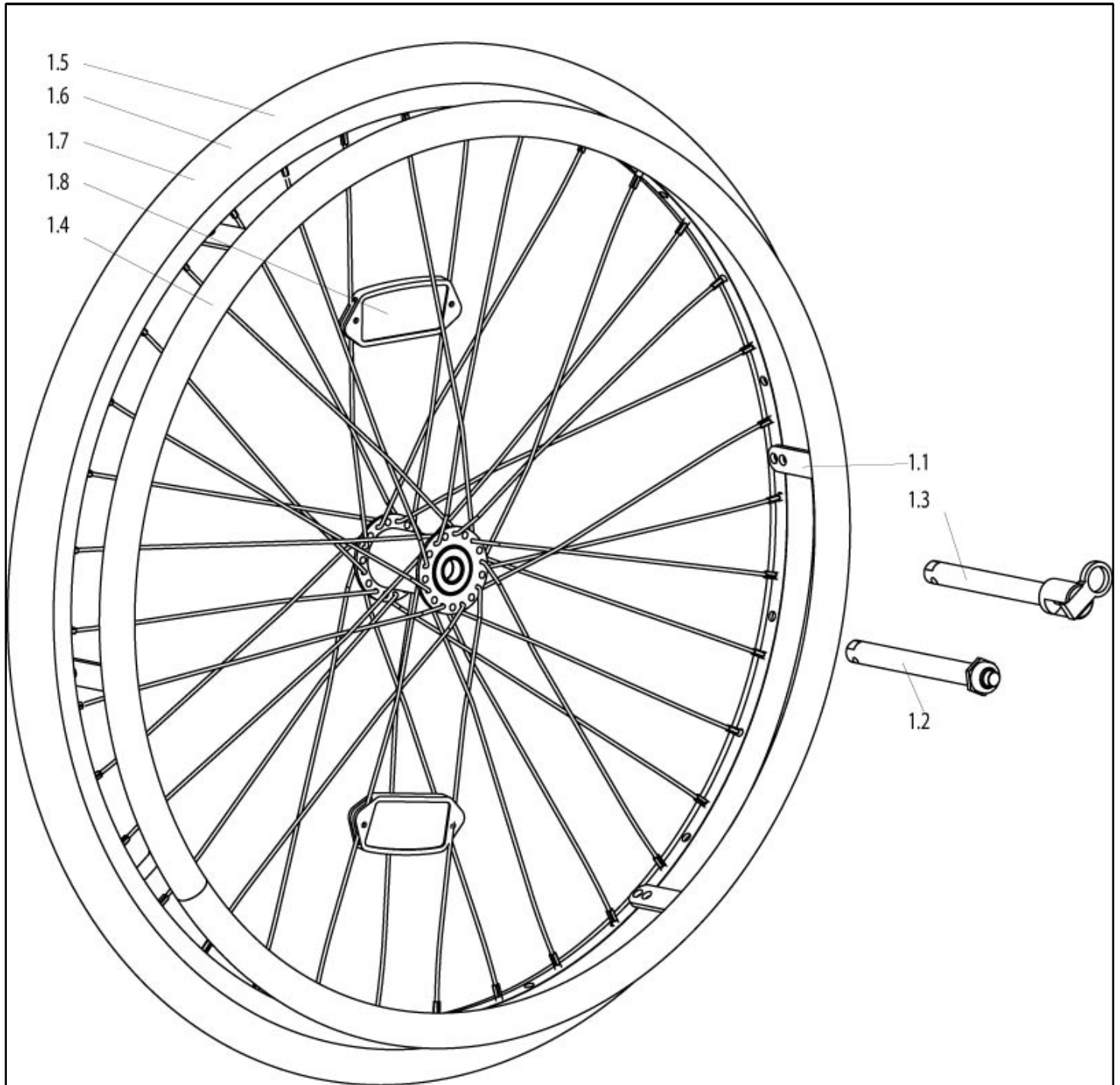


## COG adapter, drum brake



Pos	Item number	Description	Comment
1.1-1.6	05307109	Axle receiver lightweight cpl, for use with COG 5 and 7-12	left/right useable
1.1-1.5 + 1.7-1.8	05307110	Axle receiver lightweight cpl, for use with COG 2-4 und 6	left/right useable
1.7-1.8	05307105	Conversion kit COG COG 2-4 and 6 for standard axle receiver	left/right useable
2.1	054614	Axle adapter for 0° drum brake	left/right useable
2.1	054615	Axle adapter for 4° drum brake	left/right useable
2.1 + 1.3 + 1.5	76806007	Axle adapter for 0° drum brake	left/right useable
2.1 + 1.3 + 1.5	76806008	Axle adapter for 4° drum brake	left/right useable
3.1-3.3	05307111	Antirotate bracket cpl.	left/right useable
4.1	000961080	Brake holder, grey coated	pair

Universal rear wheel and handrim



Pos	Item number	Description	Comment
1.1, 1.2 + 1.8	000850262.01	22in Universal rear wheel, straight spoked, clear anodised, with quick release axle (without tyres)	
1.1, 1.2 + 1.8	000851262.01	22in Universal rear wheel, straight spoked, colour coated, with quick release axle (without tyres)	
1.1, 1.2 + 1.8	000850262	22in Universal rear wheel, cross spoked, clear anodised, with quick release axle (without tyres)	

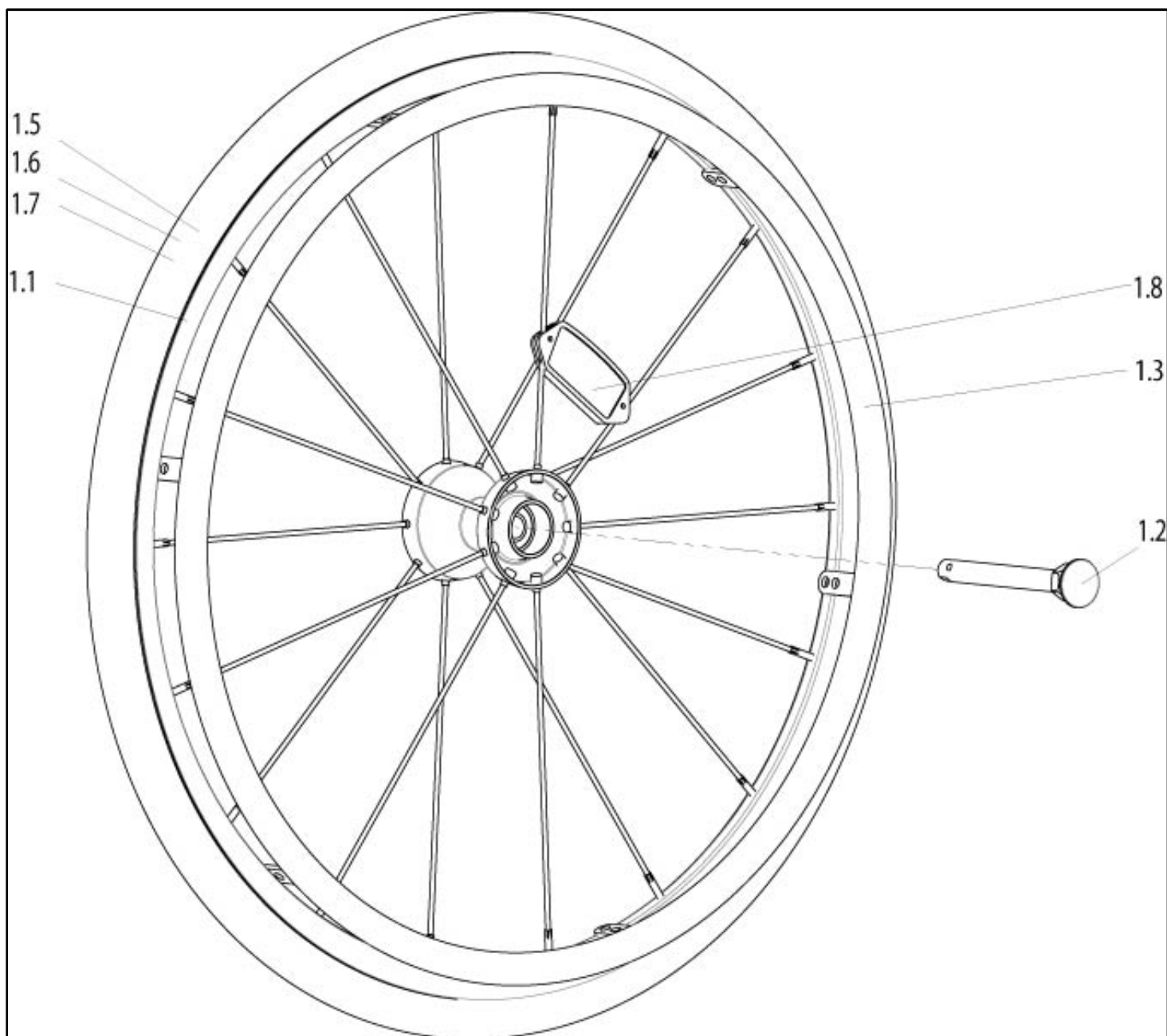
**Universal rear wheel and handrim**

<b>Pos</b>	<b>Item number</b>	<b>Description</b>	<b>Comment</b>
1.1, 1.2 + 1.8	000851262	22in Universal rear wheel, cross spoked, colour coated, with quick release axle (without tyres)	
1.1 + 1.3 + 1.8	000850268	22in Universal rear wheel, clear anodised with cross spokes and quad quick-release axle (without tyres)	
1.1, 1.2 + 1.8	000850264	24in Universal rear wheel, cross-spoked, clear anodized, with quick-release axle (without tyre, without handrim)	
1.1 + 1.3 + 1.8	000850267	24 inch Universal rear wheel, clear anodised with cross spokes and quad quick release axle (without tyres, without handrim)	
1.1, 1.2 + 1.8	000850266	26in Universal rear wheel, clear anodised with cross spokes and quick-release axle (without tyres)	
1.1 + 1.3 + 1.8	000850269	26in Universal rear wheel, clear anodised with cross spokes and quad quick-release axle (without tyres)	
1.2	000220253	Quick-release axle for Universal rear wheel.	
1.3	068522-002	Quad quick release axle Standard - rear wheel	
1.4	000854017	22in aluminium handrim, silver anodised	
1.4	000854017.01	22in aluminium handrim, silver anodised, clear coated	
1.4	000854024.22	22in stainless steel handrim, electropolished cpl.	
1.4	000854742	22in aluminium handrim, high, Supergrip black cpl.	
1.4	000854035.24	24in aluminium handrim, colour coated. Complete with fitting accessories	
1.4	000854026.28	24in aluminium handrim, silver anodised	
1.4	000854026.30	24in aluminium handrim, silver anodised, clear coated	
1.4	000854024.24	24in stainless steel handrim, electropolished. Complete with fitting accessories	
1.4	000854624.24	24in stainless steel handrim -CLOSE FITTING- electropolished. Complete with fitting accessories	
1.4	000854054	24in titanium handrim for Universal wheel/Design wheel. Complete with fitting accessories	
1.4	000854064	24in titanium handrim, clear coated, for Universal wheel/Design wheel cpl.	
1.4	000854534	24in handrim, Supergrip	must not be used with Proton and lightweight wheels
1.4	000854026.29	26in aluminium handrim, silver anodised	
1.4	000854026.31	26in aluminium handrim, silver anodised, clear coated	
1.4	000854056	26in handrim, Titanium for Universal/Design wheel, complete with fitting accessories	
1.4	000854805.01	24in Handrim Surge LT, black	
1.4	000854805.02	25in Handrim Surge LT, black	
-	000854513	22in handrim cover, black	
-	000854514	24in handrim cover, black	
1.5 - 1.7	000857225	22in x 1in tyre, Right Run, complete (tyre, tube & tube protector)	
1.5 - 1.7	000857224.01	24in x 1in tyre cpl., Right Run (tyre, tube and tube protector)	

## Universal rear wheel and handrim

Pos	Item number	Description	Comment
1.5	000857130	24in x 1in tyre, Schwalbe one	
1.5 - 1.7	000857424	24in x 1in Downtown - Two grip tyre, complete	
1.5	000283016.01	Tyre 22inx1in, Right Run	
1.5	000283037	24in Downtown - Two grip tyre Only	
1.5	000283014.01	24inx1in tyre, Right Run	
1.5	000283036	24in tyre, Marathon Plus Evo, puncture resistance, rugged tread	
1.5	000283017	24in x 1in solid, soft tyre	
1.5	000857226.03	Tyre 26in, grey/black, fine tread, cpl.	
1.5	000857226.03	Tyre 26in, grey/black, fine tread, cpl.	
1.5	000283047	26in tyre, grey/black, fine tread	
1.6	000283114-ET	22in x 1in inner tube	10 pc./pack
1.6	000283113	24in x 1in inner tube	10 Pc/Pac.
1.7	000283151-ET	22inch tube protector	10 St./Pkg.
1.7	000283152-ET	24inch tube protector	10 Pc/Pac.
1.7	000283153-ET	26inch tube protector	10 Pc/Pac.
1.8	000280001-ET	Spoke reflector	10 pcs./pack
-	000959906-ET	Fitting accessories for handrim, close mount	pack for one handrim
-	000959908-ET	Fitting accessories for handrim, wide mount	pack for one handrim
1.5	000283047	26in tyre, grey/black, fine tread	
1.6	000283114-ET	22in x 1in inner tube	10 pc./pack
1.6	000283113	24in x 1in inner tube	
1.7	000283151-ET	22inch tube protector	10 St./Pkg.
1.7	000283152-ET	24inch tube protector	10 Pc/Pac.
1.7	000283153-ET	26inch tube protector	10 Pc/Pac.
1.8	000280001-ET	Spoke reflector	10 pcs./pack
-	000959906-ET	Fitting accessories for handrim, close mount	pack for one handrim
-	000959908-ET	Fitting accessories for handrim, wide mount	pack for one handrim

## Spinergy wheel



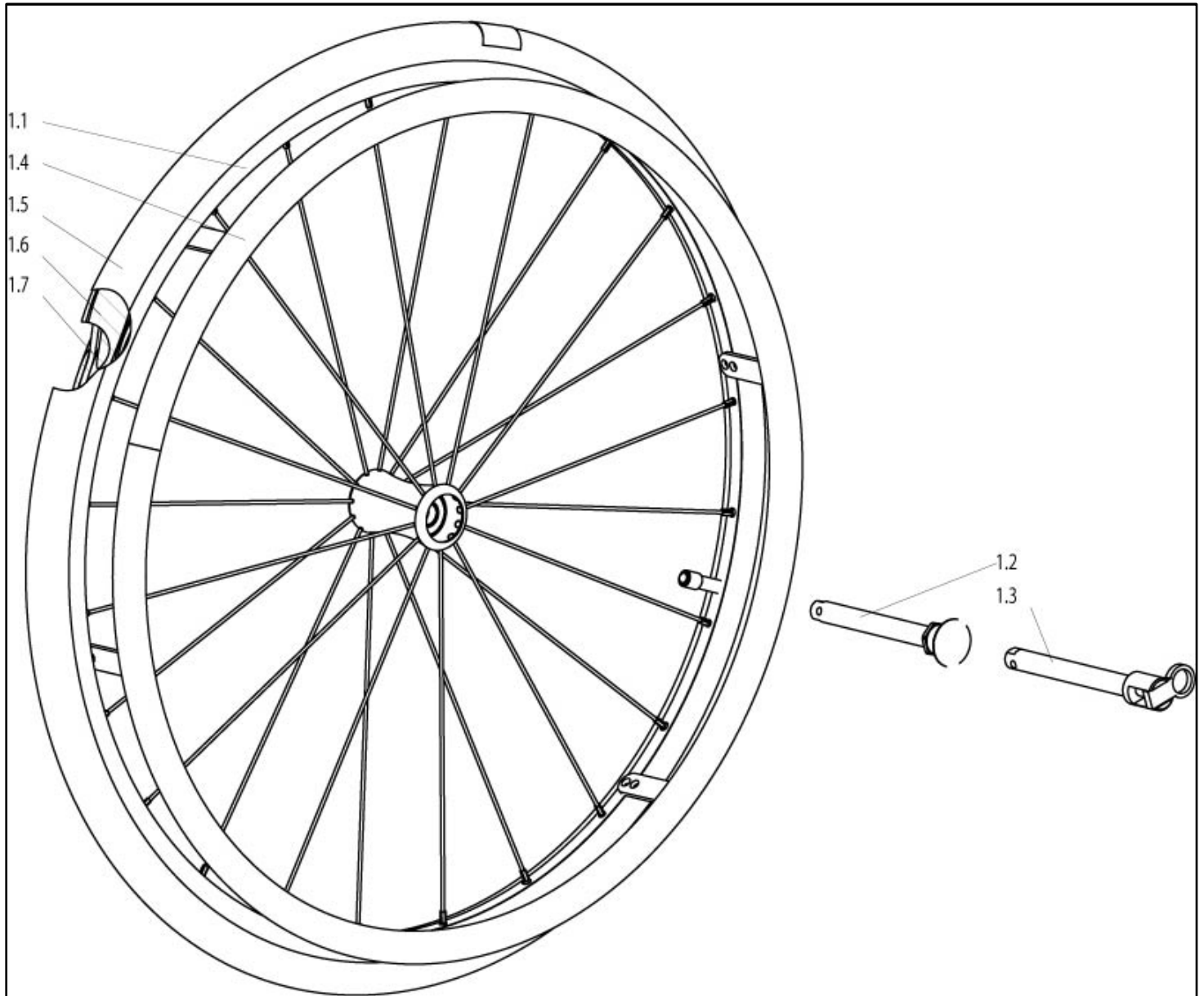
Pos	Item number	Description	Comment
1.3	000854901	Handrim 25 inch, Titan, blank, incl. mounting accessories	for Spinergy-, Proton- and lightweight wheel
1.1+1.6	762459.01	24 inch Spinergy rear wheel, 18 spokes (black) (without tyre and handrim)	
1.1+1.6	762458.01	24 inch Spinergy rear wheel, 12 spokes (black) (without tyre and handrim)	
1.1+1.6	762461.01	25 inch Spinergy rear wheel, 18 spokes (black) (without tyre and handrim)	

## Spinergy wheel

Pos	Item number	Description	Comment
1.1+1.6	762460.01	25 inch Spinergy rear wheel, 12 spokes (black) (without tyre and handrim)	
1.1,1.6	762453.01	26in Spinergy wheel (590) with quick-release axle and hand rim (without tyre), with black spokes	
1.2	000220299	Quick-release axle spinergy, design and light weight wheel, 99 mm	
1.3	066516-003-ET	Handrim 24 inch, Aluminium, anodized, incl. mounting accessories	only close mountable, for Spinergy-, Proton- and lightweight wheel
1.3	066516-004-ET	Handrim 25 inch, Aluminium, anodized, incl. mounting accessories	for Spinergy-, Proton- and lightweight wheel
1.3	066550-003	Handrim 24 inch, aluminium, clear coated, cpl., only close mountable	for Spinergy-, Proton- and lightweight wheel
1.3	066551-003	Handrim 24 inch, Aluminium, colour coated, incl. mounting accessories	for Spinergy-, Proton- and lightweight wheel
1.3	000854044	Handrim 24 inch, stainless steel, incl. mounting accessories	for Spinergy-, Proton- and lightweight wheel
1.3	000854055	Handrim 24 inch, Titan, blank, incl. mounting accessories	for Spinergy-, Proton- and lightweight wheel
1.3	000854065	Handrim 24 inch, Titan, clear coated, incl. mounting accessories	for Spinergy-, Proton- and lightweight wheel
1.3	000854900	Handrim 24 inch, Supergrip, black incl. mounting accessories	for Spinergy-, Proton- and lightweight wheel
1.3	000854904	Handrim 25 inch, stainless steel, incl. mounting accessories	for Spinergy-, Proton- and lightweight wheel
1.3	000854902	Handrim 25 inch, Titan, clear coated, incl. mounting accessories	for Spinergy-, Proton- and lightweight wheel
1.3	066550-004	Handrim 25 inch, Aluminium, clear coated, incl. mounting accessories	for Spinergy-, Proton- and lightweight wheel
1.3	066551-004	Handrim 25 inch, Aluminium, colour coated, incl. mounting accessories	for Spinergy-, Proton- and lightweight wheel

Pos	Item number	Description	Comment
1.3	000854903	Handrim 25 inch, Supergrip, black incl. mounting accessories	for Spinergy-, Proton- and lightweight wheel
1.3	000854805.01	24in Handrim Surge LT, black	
1.3	000854805.02	25in Handrim Surge LT, black	
1.5 - 1.7	000857131.01	25in tyre, Schwalbe one, cpl. (tyre, tube and tube protector)	
1.5 - 1.7	000857224.01	24 inch x 1 inch tyre cpl., Right Run (tyre, tube and tube protector)	
1.5 - 1.7	000857424	24 inch x 1 inch tyre Downtown - two grip complete (tyre, tube & tube protector)	
1.5 - 1.7	000857226.03	Tyre 26in, grey/black, fine tread, cpl.	
1.5	000857131	25in tyre, Schwalbe one	
1.5	000283037	24in Downtown - Two grip tyre	10 pcs./pack
1.5	000283036	24in tyre, Marathon Plus Evo, puncture resistance, rugged tread	
1.5	000283014.01	24in x 1in tyre, Right Run	
1.5	000283017	24in x 1in solid, soft tyre	
1.5	000857130	24in x 1in tyre, Schwalbe one	
1.5	000857127	25in tyre, Marathon Plus, puncture resistance, rugged tread	
1.5	000283047	26in tyre, grey/black, fine tread	
1.6	000283113	24in x 1in pneumatic inner tube	
1.6	000283111-ET	24in pneumatic inner tube	10 pcs./pack
1.6	000283108	26in inner tube, ETRTO 25-559	
1.6	066555-001	24 inch Inner tube extra light 25-540	
1.6	066555-002	25 inch Inner tube extra light 25-559	
1.7	000283152-ET	24 inch tube protector	10 pcs./pack
1.7	000283160-ET	24 inch tube protector	10 pcs./pack
1.7	000283153-ET	26in rim strip	10 pcs./pack
1.8	000280001-ET	Spoke reflector	10 pcs./pack

Lightweight rear wheel and handrim



Pos	Item number	Description	Comment
1.1, 1.2	000850281.01	22in lightweight rear wheel, anodized finish, with quick-release axle and handrim (without tyre)	
		Part	
1.1, 1.2	000850270.01	24in Lightweight rear wheel, wth quick-rlese axle (without tyres and handrim)	
1.1, 1.3	000850274.01	24 inch Lightweight rear wheel, with quad quick-release axle (without tyres and handrim)	
1.1, 1.2	000850273.01	25 inch light weight wheel, black anodized, with quick-release axle (without tyre)	
1.1, 1.3	000850275.01	25 inch lightweight rear wheel, with quad quick-release axle (without tyre and handrim)	
1.1, 1.2	000851316	26in Design rear wheel, anodized finish, with quick-release axle (without tyre and handrim)	



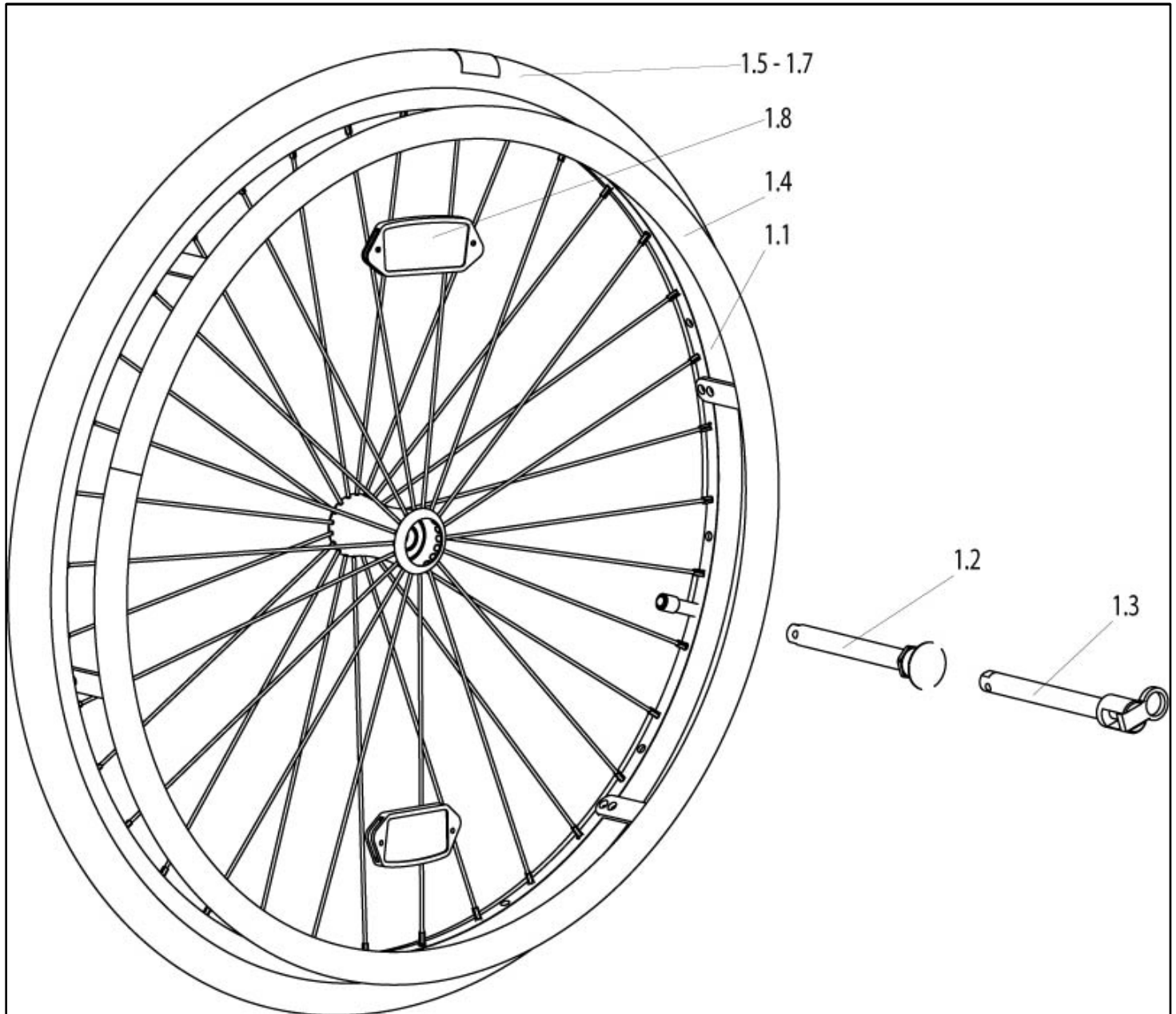
## Lightweight rear wheel and handrim

Pos	Item number	Description	Comment
1.1, 1.3	000851318	26in Design rear wheel, anodized finish, with quad quick-release axle (without tyre and handrim)	
1.2	000220299	Quick-release axle for Design rear wheel	
1.3	068522-001	Quad-quick release axle Design - rear wheel	
1.4	066516-002-ET	Handrim 22in, lightweight, silver anodized	lightweight wheel only
1.4	066551-002	Lightweight handrim 22in, colour coated, incl. mounting accessories	lightweight wheel only
1.4	066550-002	Lightweight-handrim 22in, Aluminium, clear coated, incl. mounting accessories	lightweight wheel only
1.4	066550-003	Handrim 24 inch, aluminium, clear coated, cpl. (lightweight wheels only)	only for lightweight wheel and close mount
1.4	066551-003	Handrim 24in, lightweight, colour coated	lightweight wheel only
1.4	000854055	Handrim 24 inch, Titan, blank, incl. mounting accessories	for Spinergy-, Proton- and lightweight wheel
1.4	066516-003-ET	Handrim 24 inch, Aluminium, anodized (lightweight wheel only)	only close mountable
1.4	066516-004-ET	Handrim 25 inch, aluminium, anodized, cpl. with mounting accessories (lightweight wheel only))	only close mountable
1.4	000854044	24 in handrim, stainless steel, electro polished, middle, incl. mounting accessories, cpl.	
1.4	000854065	Handrim 24 inch, Titan, clear coated, incl. mounting accessories	for Spinergy-, Proton- and lightweight wheel
1.4	000854900	Handrim 24 inch, Supergrip, black incl. mounting accessories	for Spinergy-, Proton- and lightweight wheel
1.4	066550-004	Handrim 25in, aluminium, clear coated, cpl. (lightweight wheel only)	
1.4	066551-004	Handrim 25in, leightwight, colour coated	lightweight wheel only
1.4	000854904	Handrim 25 inch, stainless steel, incl. mounting accessories	for Spinergy-, Proton- and lightweight wheel
1.4	000854901	Handrim 25 inch, Titan, blank, incl. mounting accessories	for Spinergy-, Proton- and lightweight wheel
1.4	000854902	Handrim 25 inch, Titan, clear coated, incl. mounting accessories	for Spinergy-, Proton- and lightweight wheel
1.4	000854903	Handrim 25 inch, Supergrip, black incl. mounting accessories	for Spinergy-, Proton- and lightweight wheel
1.4	000854805.01	24in Handrim Surge LT, black	

## Lightweight rear wheel and handrim

Pos	Item number	Description	Comment
1.4	000854805.02	25in Handrim Surge LT, black	
-	000854514	24in handrim cover, black	
1.5	000283016.01	22in x 1in tyre, Right Run	
1.5	000857225	22in x 1in tyre, cpl. (tyre, tube & tube protector)	10 Pc/Pac.
1.5	000857224.01	24in x 1in tyre cpl., Right Run (tyre, tube and tube protector)	
1.5	000857131.01	25in tyre, Schwalbe one, cpl. (tyre, tube and tube protector)	
1.5	000857226.03	Tyre 26in, grey/black, fine tread, cpl.	
1.5	000857424	24in x 1in Downtown - Two grip tyre, complete	
1.5	000283014.01	24inx1in tyre, Right Run	10 Pc/Pac.
1.5	000283037	24in Downtown - Two grip tyre	
1.5	000857130	24in x 1in tyre, Schwalbe one	
1.5	000283036	24in tyre, Marathon Plus Evo, puncture resistance, rugged tread	
1.5	000857121.01	24in solid tyres (for proton and lightweight wheels)	
1.5	000857121.02	25in solid tyres (for proton and lightweight wheels)	
1.5	000857127	25in tyre, Marathon Plus, puncture resistance, rugged tread	
1.5	000857131	25in tyre, Schwalbe one	
1.6	000283114-ET	22in x 1in inner tube	10 pcs./pack
1.6	000283113	24in x 1in inner tube	
1.6	066555-001	24 inch Inner tube extra light 25-540	
1.6	066555-002	25 inch Inner tube extra light 25-559	
1.6	000283153-ET	26inch tube protector	10 pcs./pack
1.7	000283151-ET	22inch tube protector	10 pcs./pack
1.7	000283161-ET	22inch tube protector, used with lightweight wheel	10 pcs./pack
1.7	000283152-ET	24inch tube protector	10 pcs./pack
-	000280009-ET	Spoke reflector, orange (used with lightweight and Proton rear wheel)	10 pcs./pack
-	000959906-ET	Fitting accessories for handrim, close mount	pack for one handrim
-	000959908-ET	Fitting accessories for handrim, wide mount	pack for one handrim

## Design rear wheel and handrim

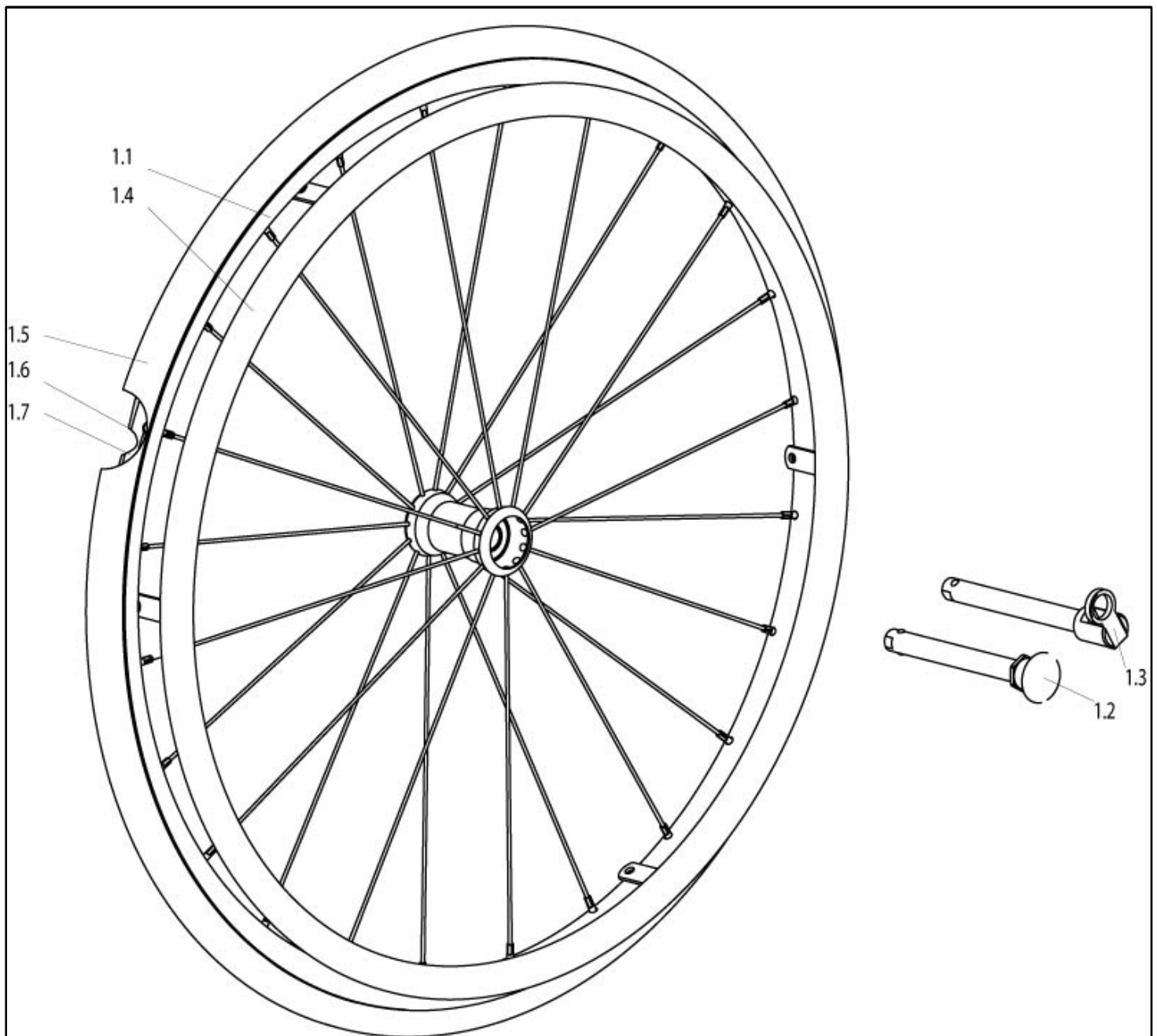


Pos	Item number	Description	Comment
1.1, 1.2 + 1.8	000851315	24in Design rear wheel, anodized finish, with quick-release axle (without tyre and handrim)	
1.1, 1.3 + 1.8	000851317	24 inch Design rear wheel, clear anodised with quad quick release axle (without tyres)	
1.1, 1.2 + 1.8	000851316	26in Design rear wheel, anodized finish, with quick-release axle (without tyre and handrim)	
1.1, 1.3 + 1.8	000851318	26in Design rear wheel, anodized finish, with quad quick-release axle (without tyre and handrim)	
1.2	000220299	Quick-release axle for Design rear wheel	
1.3	068522-001	Quad quick release axle Design - rear wheel	

## Design rear wheel and handrim

Pos	Item number	Description	Comment
1.4	000854035.24	24in handrim, aluminium, colour coated Complete with fitting accessories	
1.4	000854026.28	24in aluminium handrim, silver anodised (from CW 33)	
1.4	000854026.30	24in aluminium handrim, silver anodised, clear coated (from CW 33)	
1.4	000854024.24	24in handrim, stainless steel, electropolished Complete with fitting accessories	
1.4	000854054	24in handrim, titanium, for Universal/Design wheel Complete with fitting accessories	
1.4	000854064	24 inch titanium handrim, clear coated, for Universal wheel/ Design wheel. Complete with fitting accessories	
1.4	000854534	Greifring 24in Supergrip mittig	
-	000854514	24in handrim cover black	
1.4	000854056	26in handrim, Titanium, for Universal/Design wheel, complete with fitting accessories	
1.5	000857224.01	24in x 1in tyre cpl., Right Run (tyre, tube and tube protector)	
1.5	000857226.03	Tyre 26in, grey/black, fine tread, cpl.	
1.5	000857130	24in x 1in tyre, Schwalbe one	
1.5	000857424	24in x 1in Downtown - Two grip tyre, complete	
1.5	000283014.01	Tyre 24in x 1in, Right Run	
1.5	000283037	24in Downtown - Two grip tyre	
1.5	000283017	24in x 1in solid, soft tyre, grey	
1.5	000283036	24in tyre, Marathon Plus Evo, puncture resistance, rugged tread	10 Pc/Pac.
1.5	000283047	26in tyre, grey/black, fine tread	
1.6	000283113	24in x 1in pneumatic inner tube	
1.6	066555-001	24 inch Inner tube extra light 25-540	10 Pc/Pac.
1.6	066555-002	25 inch Inner tube extra light 25-559	10 Pc/Pac.
1.6	000283124-ET	26in inner tube	10 Pc/Pac.
1.7	000283152-ET	24 inch tube protector	10 Pc/Pac.
1.7	000283160-ET	24 inch tube protector for Downtown - Two grip	10 Pc/Pac.
1.7	000283153-ET	26 inch tube protector	10 Pc/Pac.
1.8	000280001-ET	Spoke reflector	10 Pc/Pac.
-	000959906-ET	Fitting accessories for handrim, close mount	pack for one handrim
-	000959908-ET	Fitting accessories for handrim, wide mount	pack for one handrim
1.4	000854805.01	24in Handrim Surge LT, black	
1.4	000854805.02	25in Handrim Surge LT, black	

## Proton rear wheel and hand rim



Pos	Item number	Description	Comment
-	000280009-ET	Spoke reflector, orange (used with lightweight and Proton rear wheel)	Pack of 10
1.1, 1.2	066511-002-ET	22in Proton rear wheel with quick-release axle (without tyre & handrim)	
1.1, 1.2	066511-007-ET	22in Proton rear wheel with quad quick-release axle (without tyre & handrim)	max. allowed user weight with this option = 100 kg (the limited user weight of the wheelchair itself must not be exceeded!).

## Proton rear wheel and hand rim

Pos	Item number	Description	Comment
1.1, 1.2	066511-003-ET	24in Proton rear wheel with quick-release axle (without tyre & handrim)	
1.1 + 1.3	066511-005-ET	24in Proton rear wheel, clear anodised, with quad quick-release axle (without tyre and handrim )	
1.1, 1.2	066511-004-ET	25in Proton rear wheel, clear anodised, with quick-release axle (without tyre and handrim)	
1.1 + 1.3	066511-006-ET	25in Proton rear wheel, clear anodised, with quad quick-release axle (without tyre and handrim)	
1.2	000220299	Quick-release axle spinergy, design and light weight wheel, 99 mm	
1.3	068522-001	Quad quick release axle Design - rear wheel	
1.4	000854017	22in aluminium handrim, silver anodised	
1.4	000854017.01	22in aluminium handrim, silver anodised, clear coated	
1.4	062542	22in handrim, Max Grepp Ergo Para hand rim, used for Universal rear wheel cpl. with mounting accessories	
1.4	066551-003	24in aluminium handrim, colour-coated. Complete with fitting accessories	
1.4	066516-003-ET	Lightweight-handrim 24in, Aluminium, anodized, incl. mounting accessories	only close mountable
1.4	000854044	24 in handrim, stainless steel, electro polished, middle, incl. mounting accessories, cpl.	
1.4	000854055	24in titanium handrim for Lightweight wheel. Complete with fitting accessories	
1.4	000854065	24in titanium handrim clear coated, for Lightweight wheel. Complete with fitting accessories	
1.4	000854900	Handrim 24 inch, Supergrip, black incl. mounting accessories	for Spinergy-, Proton- and lightweight wheel
1.4	066551-004	25in aluminium handrim colour-coated. Complete with fitting accessories	
1.4	066516-004-ET	Handrim 25in, aluminium, anodized, cpl. with mounting accessories (lightweight wheel only)	
1.4	066550-004	25in aluminium handrim, silver anodised, clear coated. Complete with fitting accessories	
1.4	000854903	Handrim 25 inch, Supergrip, black incl. mounting accessories	for Spinergy-, Proton- and lightweight wheel
1.4	000854904	Handrim 25 inch, stainless steel, incl. mounting accessories	for Spinergy-, Proton- and lightweight wheel
1.4	000854805.01	24in Handrim Surge LT, black	
1.4	000854805.02	25in Handrim Surge LT, black	
1.5	000283028	22in x 1in 3/8in soft tyre, solid	
1.5	000857225	22in x 1in tyre, Right Run (tyre, tube and rim tape)	
1.5-1.7	000857224.01	24in x 1in tyre cpl., Right Run (tyre, tube and tube protector)	
1.5-1.7	000857424	24in x 1in tyre Downtown - two grip complete (tyre, tube & tube protector)	

Pos	Item number	Description	Comment
1.5	000283037	24in Downtown - Two grip tyre	
1.5	000283014.01	24inx1in tyre, Right Run	
1.5	000283036	24in tyre, Marathon Plus Evo, puncture resistance, rugged tread	
1.5	000857130	24in x 1in tyre, Schwalbe one	
1.5	000857127	25in tyre, Marathon Plus, puncture resistance, rugged tread	
1.5	000857131	25in tyre, Schwalbe one	
1.5 - 1.7	000857131.01	25in tyre, Schwalbe one, cpl. (tyre, tube and tube protector)	
1.5	000857121.01	24in solid tyres (for proton and lightweight wheels)	
1.5	000857121.02	25in solid tyres (for proton and lightweight wheels)	
1.6	000283113	24in x 1in inner tube	
1.6	066555-001	24in Inner tube extra light 25-540	
1.6	066555-002	25-26 in inner tube, extra light, ETRTO 25-559	
1.7	000283151-ET	22 inch tube protector	Pack of 10
1.7	000283152-ET	24in inch tube protector	10 pcs./pack
-	000280009-ET	Spoke reflector, orange (used with lightweight and Proton rear wheel)	10 pcs./pack
-	000854514	24in handrim covercentral, black	
-	000854513	22in handrim cover, black	

Mountain bike rear wheel and handrim



Pos	Item number	Description	Comment
1.1-1.3	000851319	24in mountain bike rear wheel with quick-release axle, tyres and hand rim	
1.1,1.3	000851320	24in mountain bike rear wheel with quick-release axle and hand rim (without tyre)	
-	000857425	24in mountain bike complete tyre (tyre, inner tube and rim tape)	
-	000220253	Quick release axle for Universal wheel	
-	000283111-ET	24in pneumatic inner tube	10 Pc/Pac.



Pos	Item number	Description	Comment
-	000283160-ET	24in rim strip (17 mm) for Downtown - Two grip	10 Pc/Pac.

Max Grepp Ergo Para hand rim



Pos	Item number	Description	Comment
1 - 2	062542	Handrim 22in Max Grepp Ergo Para hand rim, used for Universal rear wheel cpl. with mounting accessories	
1 - 2	062543	Handrim 22in Max Grepp Ergo Para hand rim, used for Proton- or Lightweight Rear Wheel cpl. with mounting accessories	
1 - 2	062544	Handrim 24in Max Grepp Ergo Para hand rim, used for Universal wheel cpl. with mounting accessories	
1 - 2	062545	Handrim 24in Max Grepp Ergo Para hand rim, used for Proton- or Lightweight Rear Wheel cpl. with mounting accessories	
2	062546	Mounting accessories for Max Grepp Ergo Para hand rim, used for Universal rear wheel	
2	062547	Mounting accessories for Max Grepp Ergo Para hand rim, used for Proton- or Lightweight Rear Wheel	

**Drumbrake - rear wheel see assembly BRAKE**

Pos	Item number	Description	Comment
1	-	-	

Drumbrake -rear wheel see assembly " BRAKE "

Spoke guards



Pos	Item number	Description	Comment
1.1	062551-027	22 inch spoke guard, Bibbo, cpl.	incl. Fasteners
1.2	062551-031	22 inch spoke guard, Cheese, cpl.	incl. Fasteners
1.3	062551-032	22 inch spoke guard, Galactica, cpl.	incl. Fasteners
1.4	062551-028	22 inch spoke guard, Graphic, cpl.	incl. Fasteners
1.5	062551-029	22 inch spoke guard, Fantasy, cpl.	incl. Fasteners
1.6	062551-030	22 inch spoke guard, Rotation, cpl.	incl. Fasteners
1.7	062551-033	22 inch spoke guard, transparent, cpl.	incl. Fasteners
1.1	062553-027	24 inch spoke guard, Bibbo, cpl.	incl. Fasteners

Pos	Item number	Description	Comment
1.2	062553-031	24 inch spoke guard, Cheese, cpl.	incl. Fasteners
1.3	062553-032	24 inch spoke guard, Galactica, cpl.	incl. Fasteners
1.4	062553-028	24 inch spoke guard, Graphic, cpl.	incl. Fasteners
1.5	062553-029	24 inch spoke guard, Fantasy, cpl.	incl. Fasteners
1.6	062553-030	24 inch spoke guard, Rotation, cpl.	incl. Fasteners
1.7	062553-033	24 inch spoke guard, transparent, cpl.	incl. Fasteners
-	000118004-ET	Fastener for spoke guard	25 pcs./pack

Spoke guards, kids



Pos	Item number	Description	Comment
1	062551-001	Spoke guard 22in cpl., Princess	incl. Fasteners
2	062551-002	Spoke guard 22in cpl., Dancing Bear	incl. Fasteners
3	062551-003	Spoke guard 22in cpl., Jungle Fever	incl. Fasteners
4	062551-004	Spoke guard 22in cpl., Superhero	incl. Fasteners
5	062551-005	Spoke guard 22in cpl., Happy Lions	incl. Fasteners
6	062551-006	Spoke guard 22in cpl., Water World	incl. Fasteners
7	062551-007	Spoke guard 22in cpl., Randolph	incl. Fasteners
8	062551-008	Spoke guard 22in cpl., Monkeys	incl. Fasteners

Pos	Item number	Description	Comment
9	062551-009	Spoke guard 22in cpl., Pirates	incl. Fasteners
10	062551-010	Spoke guard 22in cpl., Tiger	incl. Fasteners
11	062551-011	Spoke guard 22in cpl., Zebra	incl. Fasteners
1	062553-001	Spoke guard 24in cpl., Princess	incl. Fasteners
2	062553-002	Spoke guard 24in cpl., Dancing Bear	incl. Fasteners
3	062553-003	Spoke guard 24in cpl., Jungle Fever	incl. Fasteners
4	062553-004	Spoke guard 24in cpl., Superhero	incl. Fasteners
5	062553-005	Spoke guard 24in cpl., Happy Lions	incl. Fasteners
6	062553-006	Spoke guard 24in cpl., Water World	incl. Fasteners
7	062553-007	Spoke guard 24in cpl., Randolph	incl. Fasteners
8	062553-008	Spoke guard 24in cpl., Monkeys	incl. Fasteners
9	062553-009	Spoke guard 24in cpl., Pirates	incl. Fasteners
10	062553-010	Spoke guard 24in cpl., Tiger	incl. Fasteners
11	062553-011	Spoke guard 24in cpl.,Zebra	incl. Fasteners
-	000118004-ET	Fastener used with spoke guards	Pack of 25

Spoke guards, teens

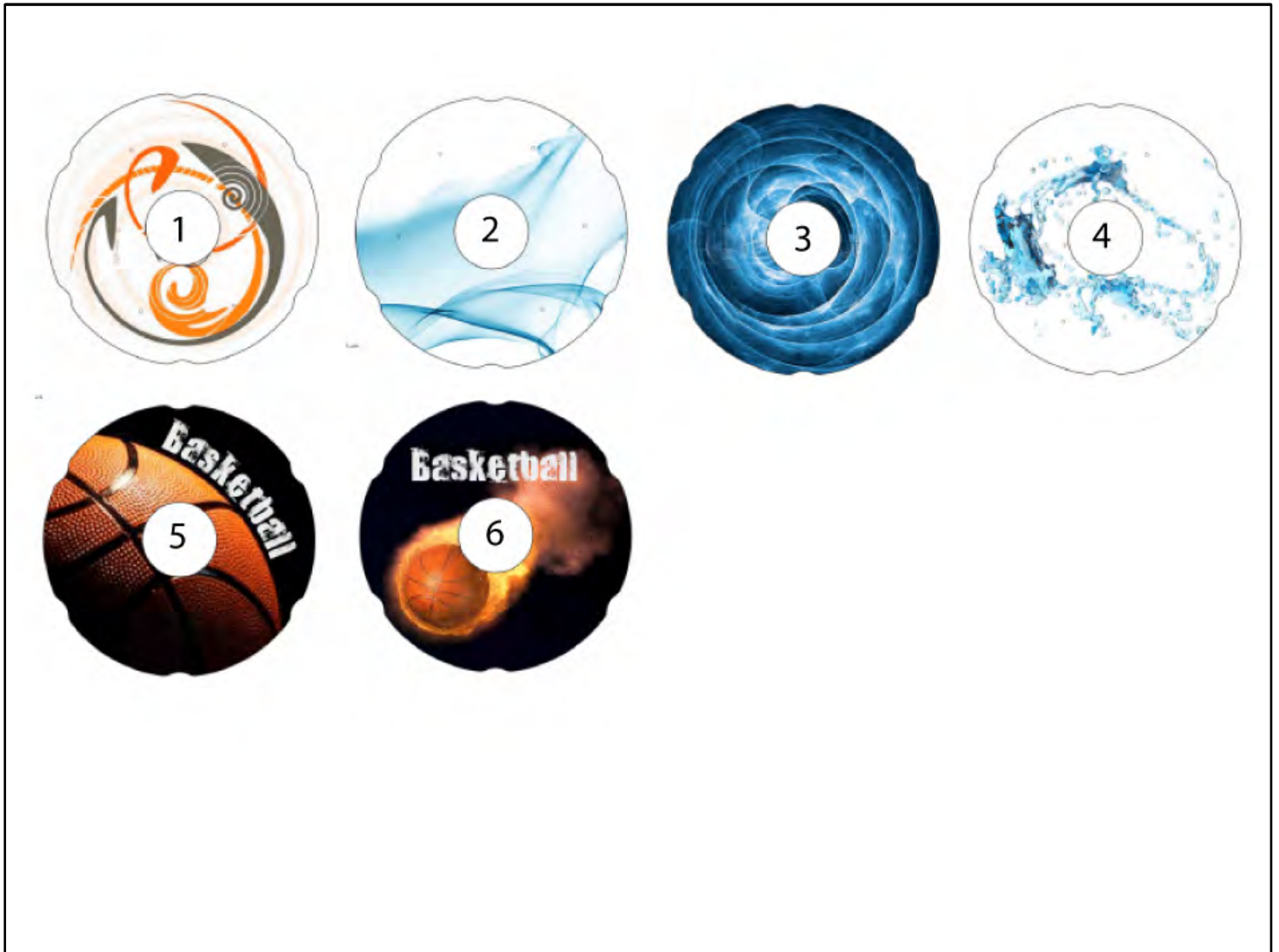


Pos	Item number	Description	Comment
1	062551-012	Spoke guard 22in cpl., Abstract	incl. Fasteners
2	062551-013	Spoke guard 22in cpl., Racing	incl. Fasteners
3	062551-014	Spoke guard 22in cpl., Pool	incl. Fasteners
4	062551-015	Spoke guard 22in cpl., Oriental	incl. Fasteners
5	062551-016	Spoke guard 22in cpl., Dirt Race	incl. Fasteners
6	062551-017	Spoke guard 22in cpl., Feather	incl. Fasteners
7	062551-018	Spoke guard 22in cpl., Hot Wheels	incl. Fasteners
8	062551-019	Spoke guard 22in cpl., Chrome Wheel	incl. Fasteners



Pos	Item number	Description	Comment
9	062551-020	Spoke guard 22in cpl., Graffiti	incl. Fasteners
1	062553-012	Spoke guard 24in cpl., Abstract	incl. Fasteners
2	062553-013	Spoke guard 24in cpl., Racing	incl. Fasteners
3	062553-014	Spoke guard 24in cpl., Pool	incl. Fasteners
4	062553-015	Spoke guard 24in cpl., Oriental	incl. Fasteners
5	062553-016	Spoke guard 24in cpl., Dirt Race	incl. Fasteners
6	062553-017	Spoke guard 24in cpl., Feather	incl. Fasteners
7	062553-018	Spoke guard 24in cpl., Hot Wheels	incl. Fasteners
8	062553-019	Spoke guard 24in cpl., Chrome Wheel	incl. Fasteners
9	062553-020	Spoke guard 24in cpl., Graffiti	incl. Fasteners
-	000118004-ET	Fastener used with spoke guards	Pack of 25
-	062553-033	Spoke guard 24in cpl., transparent	incl. Fasteners
-	062551-033	Spoke guard 22in cpl., transparent	incl. Fasteners

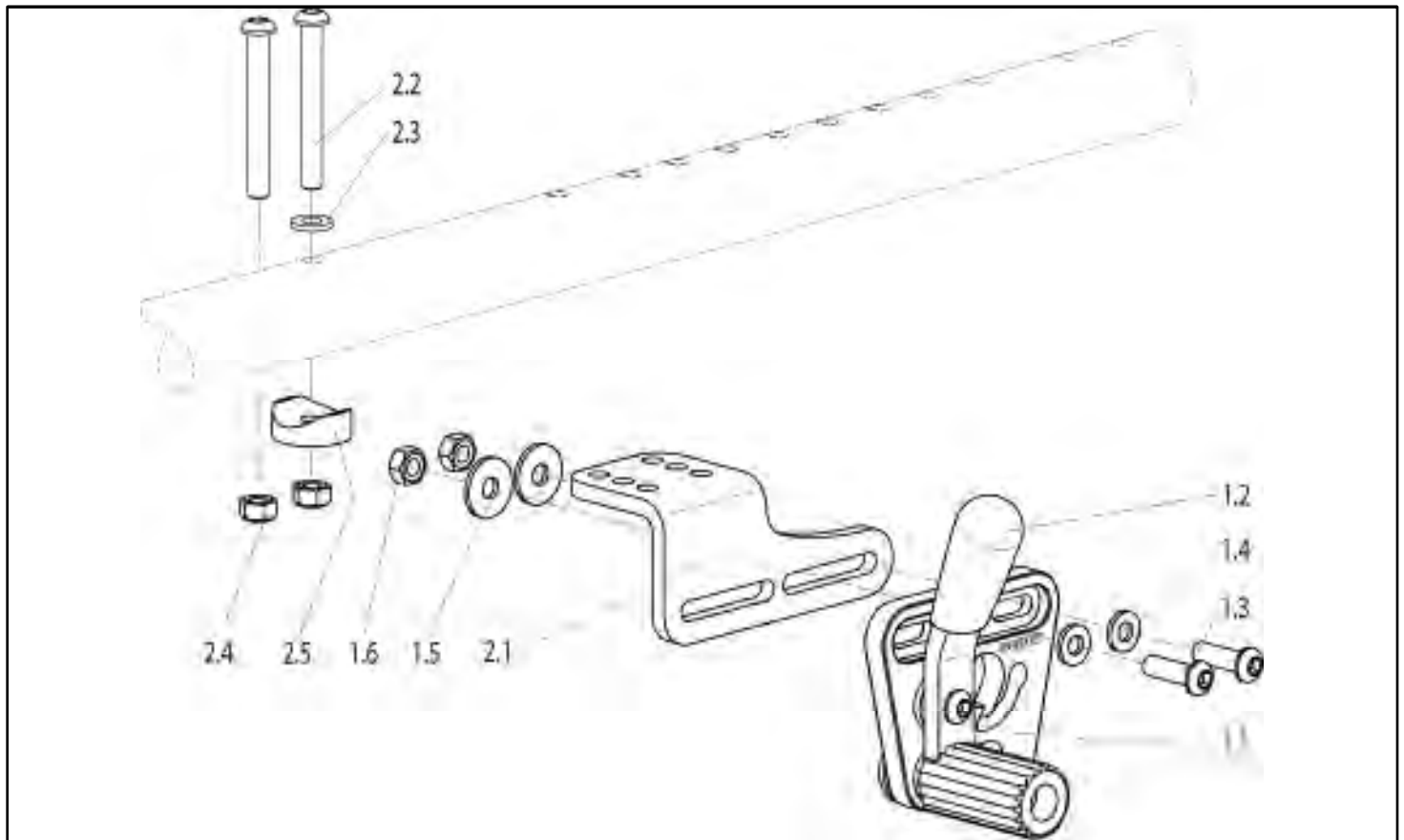
Spoke guards, adults



Pos	Item number	Description	Comment
1	062551-021	Spoke guard 22in cpl., Creative	incl. Fasteners
2	062551-022	Spoke guard 22in cpl., Silk	incl. Fasteners
3	062551-023	Spoke guard 22in cpl., Space	incl. Fasteners
4	062551-024	Spoke guard 22in cpl., Flying Water	incl. Fasteners
5	062551-025	Spoke guard 22in cpl., Basketball	incl. Fasteners
6	062551-026	Spoke guard 22in cpl., Basketball 2	incl. Fasteners
1	062553-021	Spoke guard 24in cpl., Creative	incl. Fasteners
2	062553-022	Spoke guard 24in cpl., Silk	incl. Fasteners

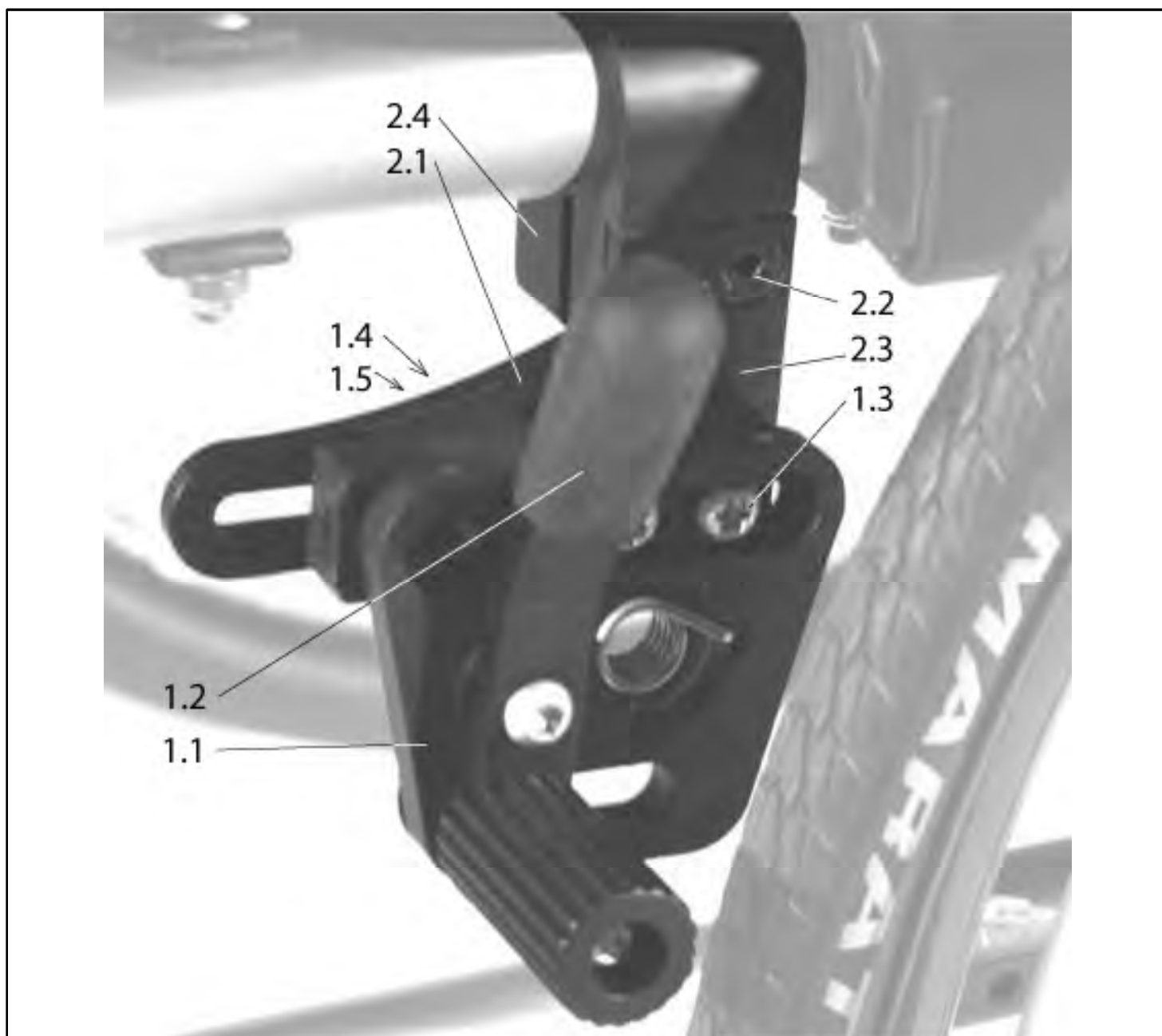
Pos	Item number	Description	Comment
3	062553-023	Spoke guard 24in cpl., Space	incl. Fasteners
4	062553-024	Spoke guard 24in cpl., Flying Water	incl. Fasteners
5	062553-025	Spoke guard 24in cpl., Basketball	incl. Fasteners
6	062553-026	Spoke guard 24in cpl., Basketball 2	incl. Fasteners
-	000118004-ET	Fastener used with spoke guards	Pack of 25

Standard brake with plate



Pos	Item number	Description	Comment
1.1-2.5	054610-008	Standard brakes with frame fitting, complete	Pair
1.1-1.2	760961050	Standard brakes, complete	Pair
1.1-1.2	760861050	Standard brake, complete	right
1.1-1.2	760761050	Standard brake, complete	left
1.2	000861156-ET	Brake lever - cover cap	5 Pc/Pac.
1.3-1.6	054610-011	Fitting accessories for standard brake	For one side
1.3	000102307.01-ET	Button head cap screw M 6 x 20 with Torx drive	25 Pc/Pac.
1.4	000130107-ET	A 6.4 washer DIN 125	25 Pc/Pac.
1.5	000130105-ET	A 6.4 washer DIN 9021	25 Pc/Pac.
1.6	000128007-ET	Hex nut M 6 DIN 985	25 Pc/Pac.
2.1-2.5	054610-005	Frame fittings for brake	Pair
2.2	000102313.01-ET	Button head cap screw M 6 x 50 with Torx drive	25 Pc/Pac.
2.3	000130107-ET	A 6.4 washer DIN 125	25 Pc/Pac.
2.4	000128007-ET	Hex nut M 6 DIN 985	25 Pc/Pac.
2.5	622842002-ET	Saddlel - POM	4 Pc/Pac.

## Standard brake with clamp



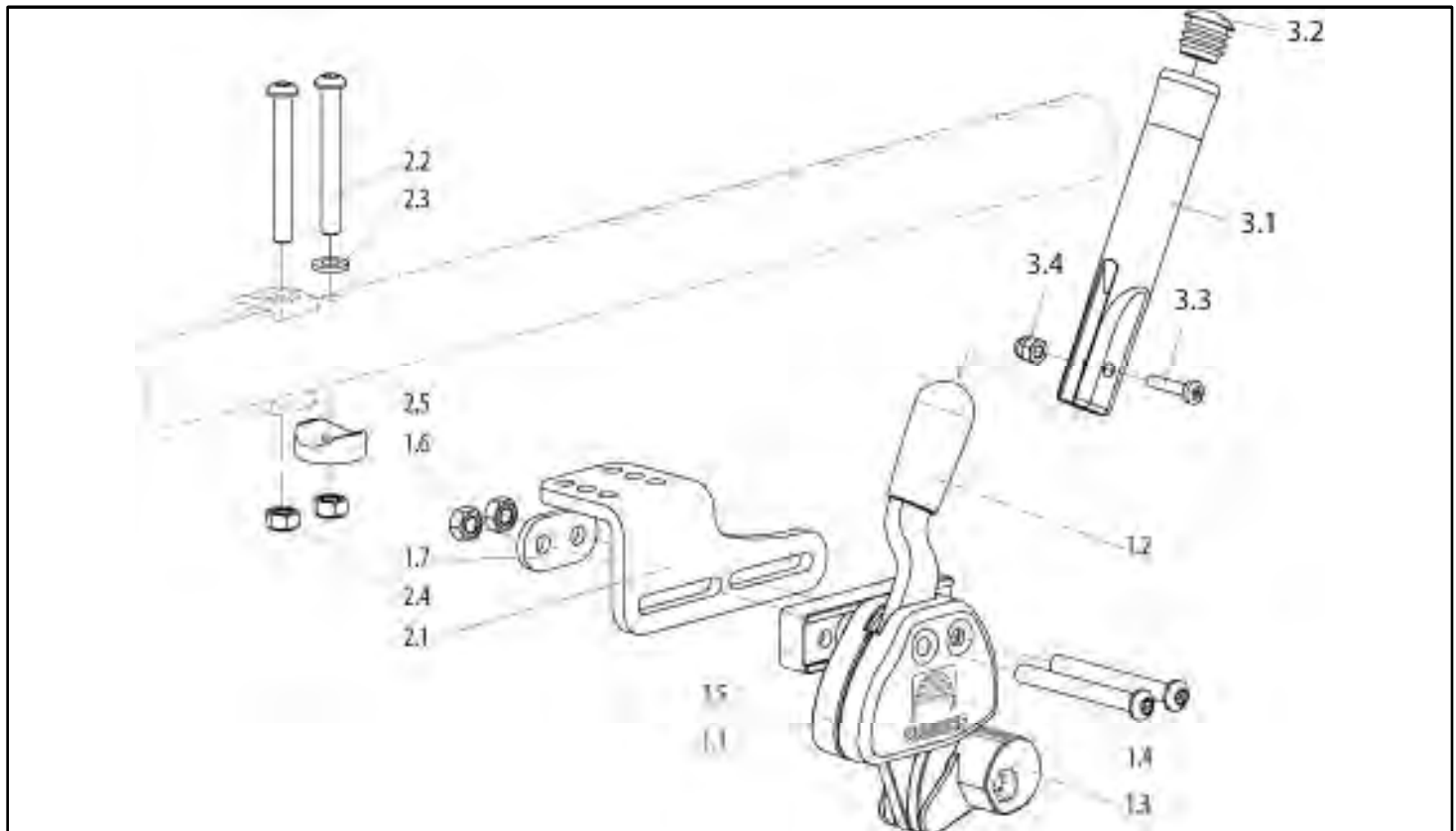
Pos	Item number	Description	Comment
1.1-2.4	051604-000	Standard brakes with frame fitting, complete	Pair
1.1-1.2	760861050	Standard brake	right
1.1-1.2	760761050	Standard brake	left
1.2	000861156-ET	Brake lever cover cap	5 Pc/Pac.
2.1-2.4	051618	Frame fitting for standard and knee lever brake, complete	Pair
2.2	000104067-ET	Socket cap screw M 6 x 45 DIN 7991	10 Pc/Pac.
1.3	000102307.01-ET	Button head cap screw M 6 x 20 with Torx drive	25 Pc/Pac.
1.4	000130007-ET	A 6.4 washer DIN 125	10 Pc/Pac.

## Standard brake with clamp

---

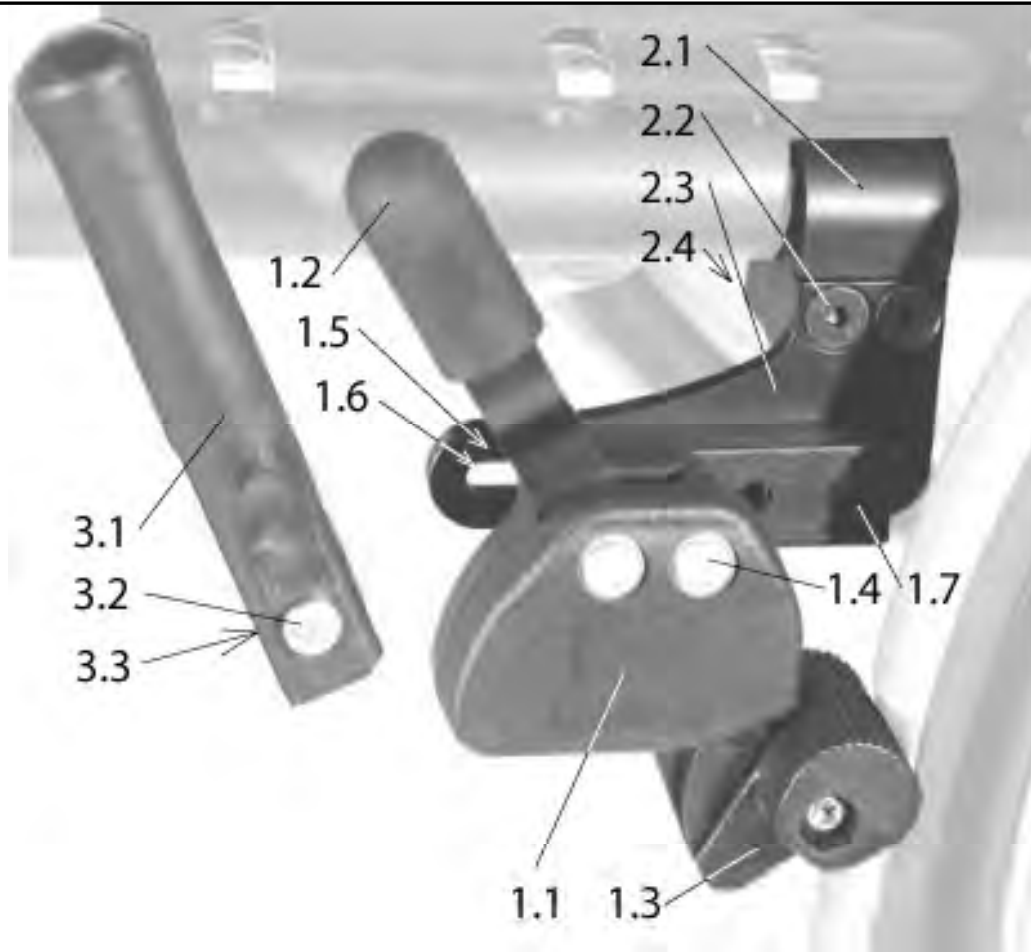
Pos	Item number	Description	Comment
1.5/2.4	000128007-ET	Hex nut M 6 DIN 985	25 Pc/Pac.

## Knee lever brake with plate



Pos	Item number	Description	Comment
1.1-2.5	054610-001	Knee lever brakes with frame fitting, complete	Pair
1.1-1.3	000961260	Knee lever brakes, complete	Pair
1.1-1.3	000861260	Knee lever brake, complete	right
1.1-1.3	000761260	Knee lever brake, complete	left
1.2	000861156-ET	Brake lever - cover cap	5 pcs./pack
1.3	000861252	Brake bolts with screw fixing, complete	
1.4-1.7	054610-004	Fitting accessories for support	1 side
1.4	000102314.01-ET	Button head cap screw M 6 x 55 Torx drive	25 Pc/Pac.
1.6	000128007-ET	Hex nut M 6 DIN 985	25 Pc/Pac.
1.7	000861218	Spacer support	
2.1-2.5	054610-005	Frame fittings for brake	Pair
2.1-2.5	054610-006	Frame fitting for brake	right
2.1-2.5	054610-007	Frame fitting for brake	left
2.2	000102313.01-ET	Button head cap screw M 6 x 50 Torx drive	25 Pc/Pac.
2.3	000130107-ET	A 6.4 washer DIN 125	25 Pc/Pac.
2.4	000128007-ET	Hex nut M 6 DIN 985	25 Pc/Pac.
2.5	614853009-ET	Saddle POM, black	10 pcs./pack

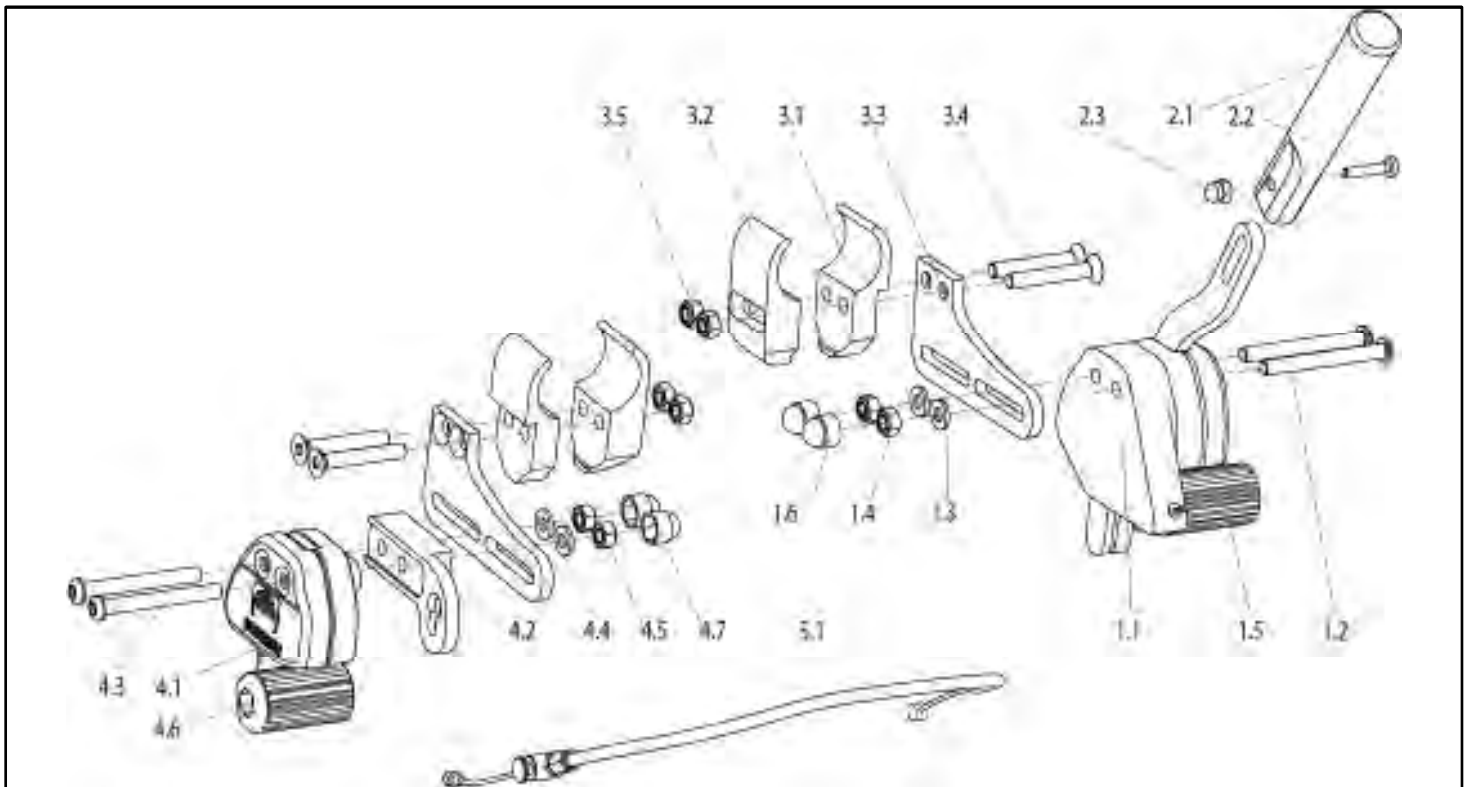
Knee lever brake with clamp



Pos	Item number	Description	Comment
1.1-2.4	051605-000	Knee lever brakes with frame fitting, complete	Pair
1.1-1.3	000961260	Knee lever brakes	Pair
1.1-1.3	000861260	Knee lever brake	right
1.1-1.3	000761260	Knee lever brake	left
1.2	000861156-ET	Brake lever - cover cap	5 Pc/Pac.
1.3	000861252	Brake bolts with screw fixing, complete	1 item
1.4	000102314.01-ET	Button head cap screw M 6 x 55 Torx drive	25 Pc/Pac.
1.4-1.7	000861261	Fitting accessories with support, complete	For one side
1.5/2.4	000128007-ET	Hex nut M 6 DIN 985	25 Pc/Pac.
2.1-2.4	051618	Frame fitting for standard and knee lever brake	Pair
2.2	000104067-ET	Socket cap screw M 6 x 45 DIN 7991	10 Pc/Pac.
3.1-3.3	000861253	Brake lever extension, complete	2 Pc/Pac.
3.2	000102066-ET	Oval-head screw M 5 x 20 DIN 7985	12 Pc/Pac.
3.3	000128006-ET	Cap nut M5 DIN 986	25 Pc/Pac.



## One arm wheel lock with clamp

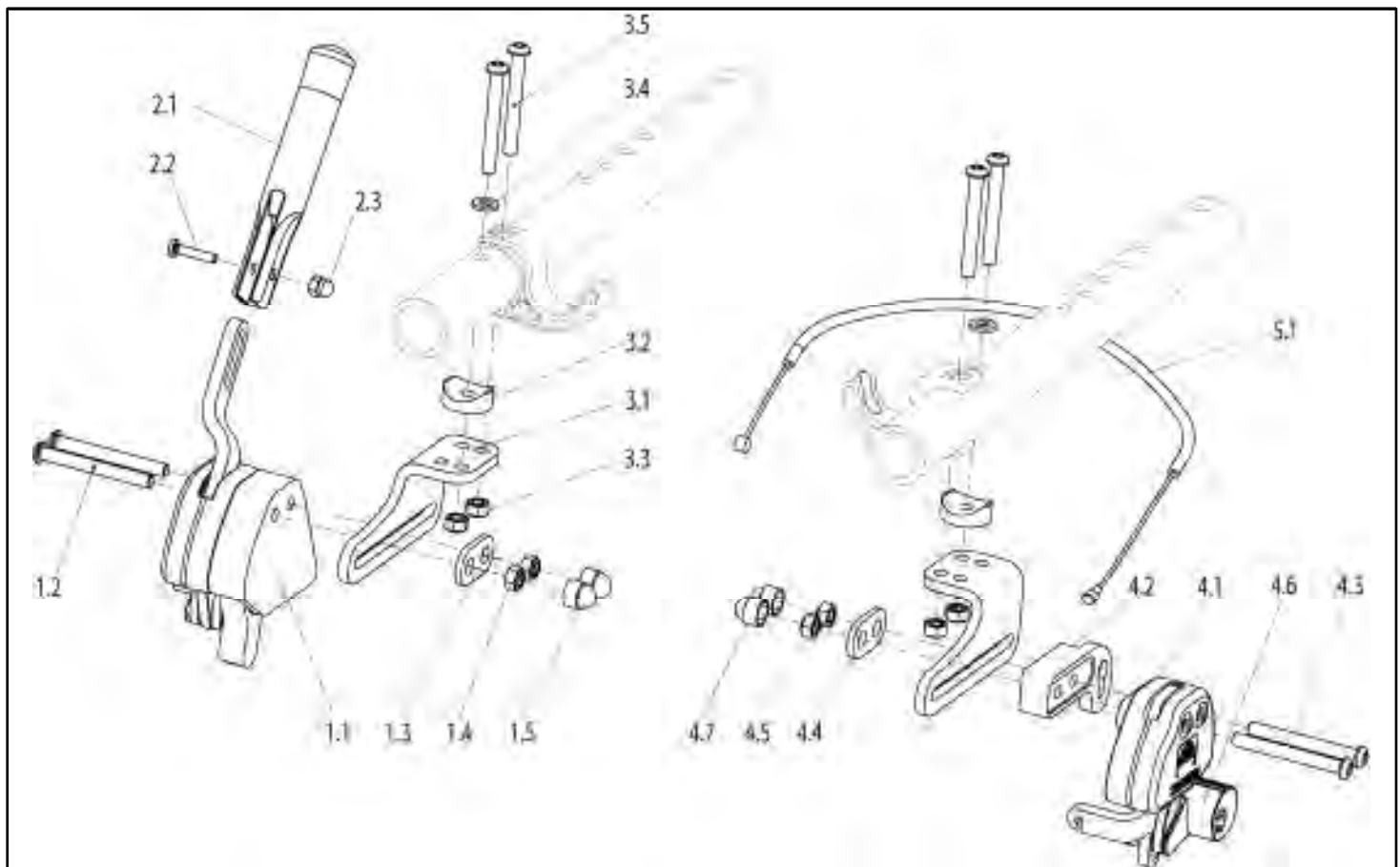


Pos	Item number	Description	Comment
1.1-5.1	054610-022	One arm wheel lock cpl. SW: 24-30	RH activity
1.1-5.1	054610-023	One arm wheel lock cpl. SW: 32-40	RH activity
1.1-5.1	054610-024	One arm wheel lock cpl. SW: 42-50	RH activity
noPic.	054610-025	One arm wheel lock cpl. SW: 24-30	LH activity
noPic.	054610-026	One arm wheel lock cpl. SW: 32-40	LH activity
noPic.	054610-027	One arm wheel lock cpl. SW: 42-50	LH activity
1.1-3.5	054611-003	Active site one arm wheel lock	RH activity
noPic.	054611-004	Active site one arm wheel lock	LH activity
noPic.	054612-003	Follower site one arm wheel lock	RH
3.1-4.7	054612-004	Follower site one arm wheel lock	LH
1.2	000104018-ET	Oval-head screws M 6 x 20 with Torx drive	pack of 25
1.3	000130007-ET	Washer A 6.4, DIN 125	25 pc./pack
1.4	000128006-ET	Cap nut M5 DIN 986	pack of 25
1.6,4.7	000282063-ET	Cap for hex nut M 6 black	pack of 10
1.5,4.6	000861252	Brake bolt cpl.	
2.1-2.3	000861253	Brake lever extension, complete	2 pcs./pack
2.2	000102066-ET	Lens head screw M 5 x 20, DIN 7985	12 pcs./pack
2.3	000128006-ET	Cap nut M5 DIN 986	pack of 25
3.1-3.5	051618	Frame fittings for brake	Pair

## One arm wheel lock with clamp

Pos	Item number	Description	Comment
3.4	000104063-ET	Countersunk screw M 6 x 40 DIN 7991	pack of 25
3.5	000128007-ET	Hex nut M 6 DIN 985	pack of 25
4.3	000104018-ET	Button head cxap screw M 6 x 60	pack of 25
4.4	000130007-ET	Washer A 6.4, DIN 125	25 pc./pack
4.5	000128007-ET	Hex nut M 6 DIN 985	pack of 25
5.1	000862223.01	Cables for one-arm brake, short, complete SW 24 - 30	
5.1	000862223.02	Cables for one-arm brake, medium, complete SW 32 - 40	
5.1	000862223.03	Cables for one-arm brake, long, complete SB 42-50	

## One arm wheel lock with plate

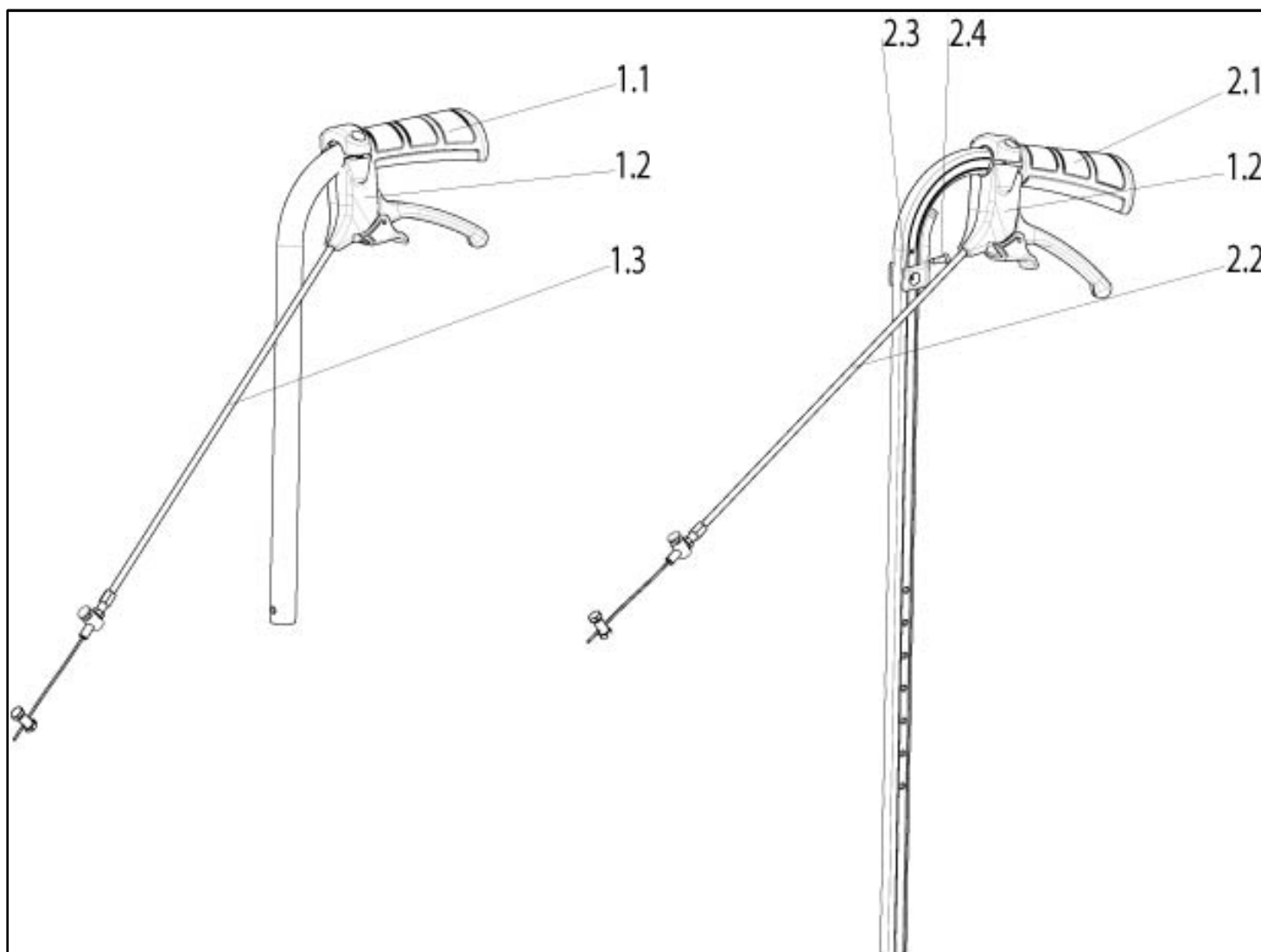


Pos	Item number	Description	Comment
1.1-5.1	054610-016	One arm wheel lock cpl. SW: 24-30	RH activity
1.1-5.1	054610-017	One arm wheel lock cpl. SW: 32-40	RH activity
1.1-5.1	054610-018	One arm wheel lock cpl. SW: 42-50	RH activity
noPic.	054610-019	One arm wheel lock cpl. SW: 24-30	LH activity
noPic.	054610-020	One arm wheel lock cpl. SW: 32-40	LH activity
noPic.	054610-021	One arm wheel lock cpl. SW: 42-50	LH activity
1.1-3.5	054611-003	Active site one arm wheel lock	RH activity
noPic.	054611-004	Active site one arm wheel lock	LH activity
noPic.	054612-003	Follower site one arm wheel lock	RH
3.1-4.7	054612-004	Follower site one arm wheel lock	LH
1.2	000104018-ET	Button head cap screw M 6 x 60	pack of 25
1.3	000861218	Spacer	
1.4	000128007-ET	Hex nut M 6 DIN 985	pack of 25
1.5	000282063-ET	Cap for hex nut M 6 black	pack of 10
2.1-2.3	000861253	Brake lever extension, complete	pack of 2
2.2	000102066-ET	Lens head screw M 5 x 20, DIN 7985	12 pcs./pack

## One arm wheel lock with plate

Pos	Item number	Description	Comment
2.3	000128006-ET	Cap nut M5 DIN 986	pack of 25
3.1-3.5	054618	Framefixation one arm wheel lock with plate	Paar
3.2	614853009-ET	Saddle POM, black	pack of 10
3.3	000128007-ET	Hex nut M 6 DIN 985	pack of 25
3.4	000130007-ET	Washer A 6.4, DIN 125	25 pc./pack
3.5	000102313.01-ET	Oval-head screws M 6 x 50 with Torx drive	pack of 25
4.3	000104018-ET	Button head cap screw M 5 x 60	pack of 25
4.4	000861218	Spacer	
4.5	000128007-ET	Hex nut M 6 DIN 985	pack of 25
4.6	000861252	Brake bolt cpl.	
4.7	000282063-ET	Cap for hex nut M 6 black	pack of 10
5.1	000862223.01	Cables for one-arm brake, long, complete SB 24-30	
5.1	000862223.02	Cables for one-arm brake, long, complete SB 32-40	
5.1	000862223.03	Cables for one-arm brake, long, complete SB 42-50	

**Activation for drum brake**



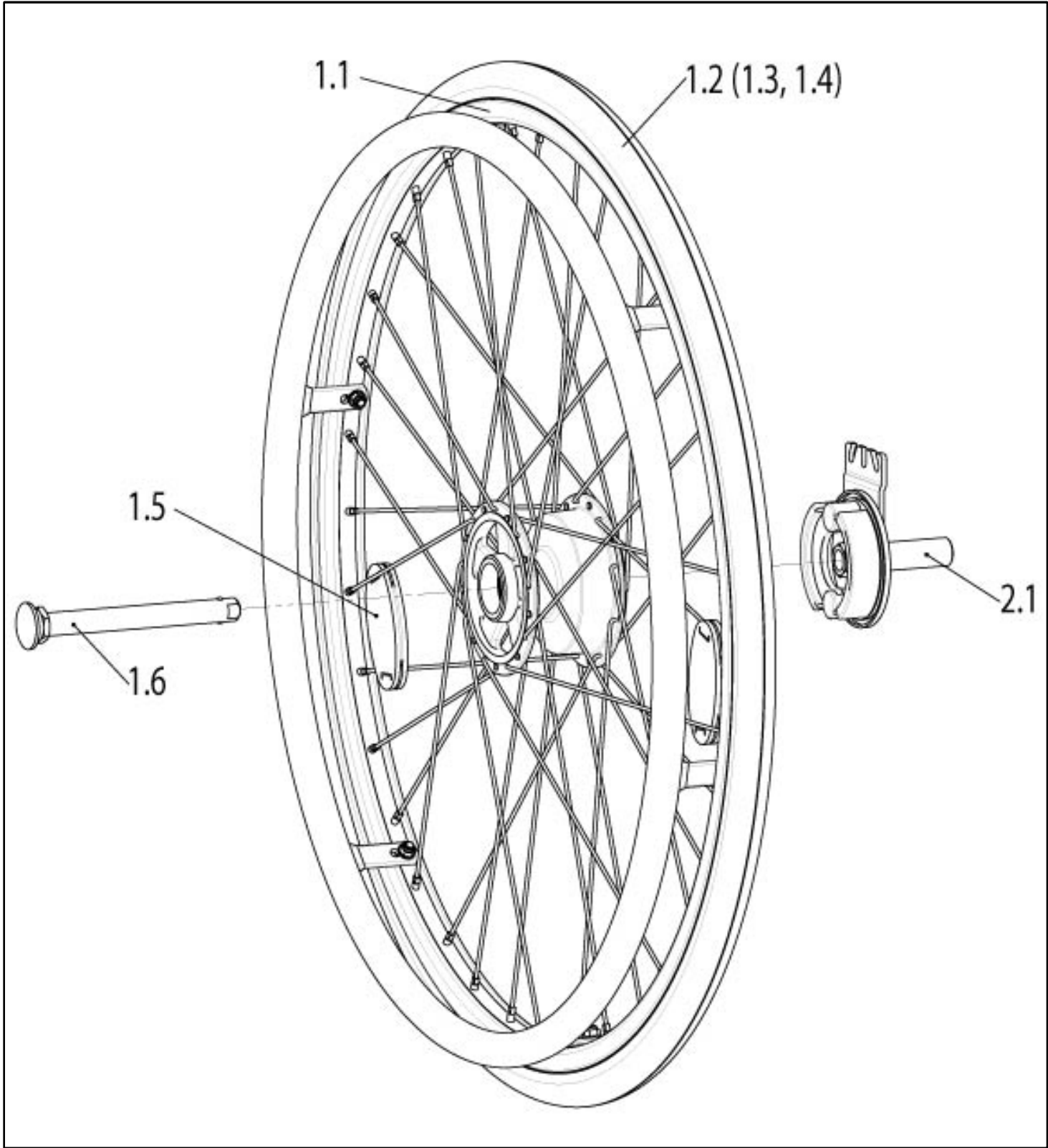
Pos	Item number	Description	Comment
1.2	000228022	Activation lever	
1.1	76803502	Pushhandle, height adjustable	
2.1	76803501	Pushhandle, standard	
1.3	000228007	Cable for height adjustable pushhandles	
2.2	000228032	Cable for standard pushhandles for backrest height 30-45	
2.1 - 2.4 + 1.2	76803101-001	Activation for drum brake, cpl., backrest tube standard, BH30-35	1 pce.
2.1 - 2.4 + 1.2	76803101-002	Activation for drum brake, cpl., backrest tube standard, BH35-40	1 pce.
2.1 - 2.4 + 1.2	76803101-003	Activation for drum brake, cpl., backrest tube standard, BH40-45	1 pce.
2.1 - 2.4 + 1.2	76803101-004	Activation for drum brake, cpl., backrest tube standard, BH45-47,5	1 pce.
1.1-1.3	76803102-001	Activation for drum brake, cpl., height adjustable pushhandles, BH 30-35	1 pce.

## Activation for drum brake

---

Pos	Item number	Description	Comment
1.1-1.3	76803102-002	Activation for drum brake, cpl., height adjustable pushhandles, BH 40-50	1 pce.

**Drum brake / drum brake-rear wheel**



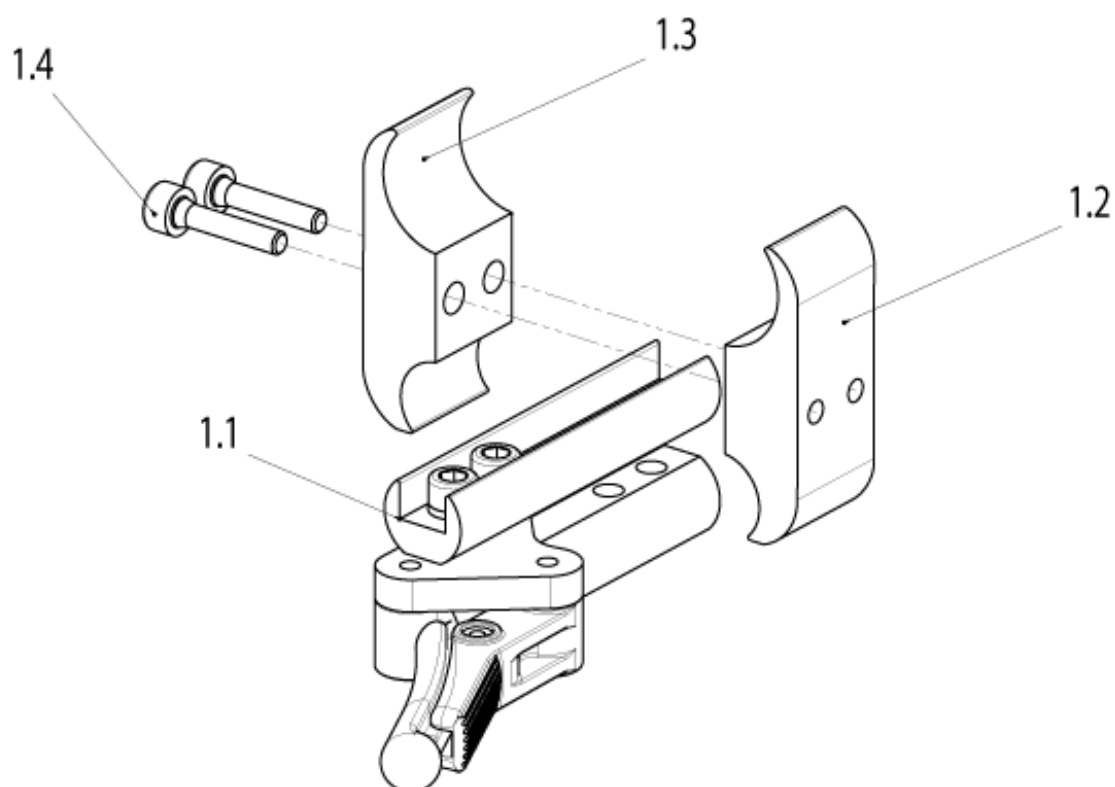
Pos	Item number	Description	Comment
1.1, 1.5-2.1	000851412	22in drum brake wheel, complete with brake holder and quick-release axle (tyre and torque supports must be ordered separately)	right

## Drum brake / drum brake-rear wheel

Pos	Item number	Description	Comment
1.1, 1.5-2.1	000751412	22in drum brake wheel, complete with brake holder and quick-release axle (tyre and torque supports must be ordered separately)	left
1.1, 1.5-2.1	000851414	24in drum brake wheel, complete with brake holder and quick-release axle (tyre and torque supports must be ordered separately)	right
1.1, 1.5-2.1	000751414	24in drum brake wheel, complete with brake holder and quick-release axle (tyre and torque supports must be ordered separately)	left
1.1, 1.5-1.6	000851368.02	22in spoke wheel with quick-release axle	
1.1, 1.5-1.6	000851369.02	24in spoke wheel with quick-release axle	
1.2-1.4	000857225	22in x 1in tyre Right Run, complete	
1.2-1.4	000857224.01	24in x 1in tyre cpl., Right Run (tyre, tube and tube protector)	
1.2-1.4	000857224.01	24in x 1in tyre cpl., Right Run (tyre, tube and tube protector)	
1.2-1.4	000857424	24in x 1in Downtown - Two grip tyre, complete	
1.2	000283016.01	Tyre 22inx1in, Right Run	
1.2	000283015.01	24in x 1 3/8in solid tyre	
1.2	000283017	24in x 1in solid, soft tyre	
1.2	000283014.01	24inx1in tyre, Right Run	
1.2	000283014.01	Tyre 24in x 1in, Right Run	
1.2	000283037	24in Downtown - Two grip tyre	
1.2	000283036	24in tyre, Marathon Plus Evo, puncture resistance, rugged tread	
1.3	000283114-ET	22in x 1in pneumatic inner tube	pack of 10
1.3	000283114-ET	22in x 1in inner tube	10 pc./pack
1.4	000283151-ET	22in rim strip	10 Pc/Pac.
1.3	000283113	24in x 1in inner tube	
1.3	000283111-ET	24in pneumatic inner tube for Downtown - Two grip	10 Pc/Pac.
1.4	000283152-ET	24in rim strip	10 Pc/Pac.
1.4	000283160-ET	24in rim strip for Downtown - Two grip (19 mm)	10 Pc/Pac.
1.5	000280001-ET	Spoke reflector	10 pcs./pack
1.6	000220230	Design quick-release axle for drum brake	
2.1	000961080	Brake holder, grey coated	Pair

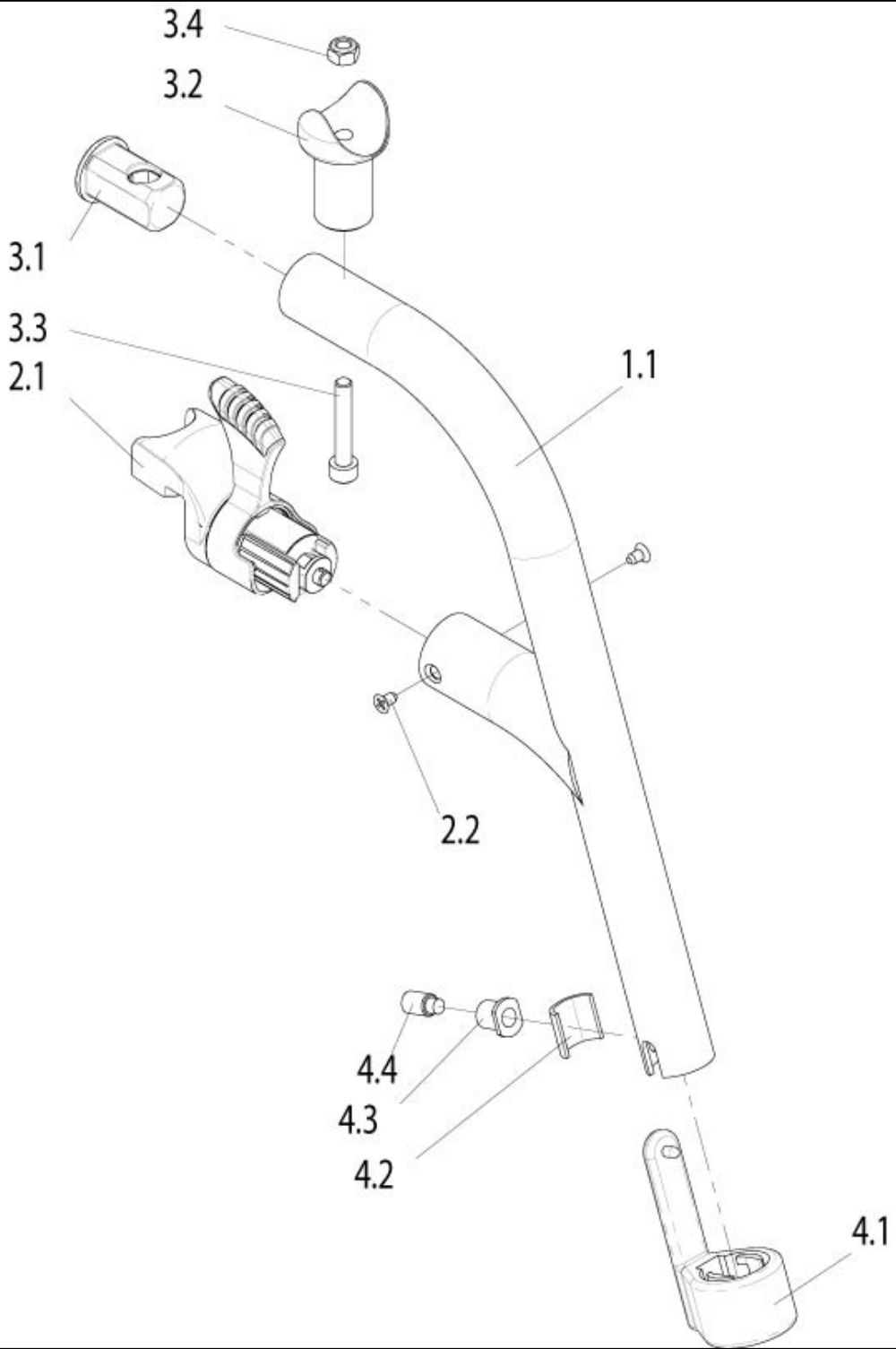


## Compact - Brake



Pos	Item number	Description	Comment
1.1-1.4	054619-000	Compact brake with clamps cpl.	Pair
1.1-1.4	054619-001	Compact brake with clamps cpl.	right
1.1-1.4	054619-002	Compact brake with clamps cpl.	left
1.1	066608-001	Compact brake	left
1.1	066608-002	Compact brake	right
1.2-1.4	051615	Frame fitting for brake, cpl.	LH&RH useable
2.3	000102004-ET	Cheese head screw M 6 x 20 DIN 912	25 Pc/Pack
-	052164-ET	Cap for compact brake (used until cw 05/2009)	4 Pc/Pack

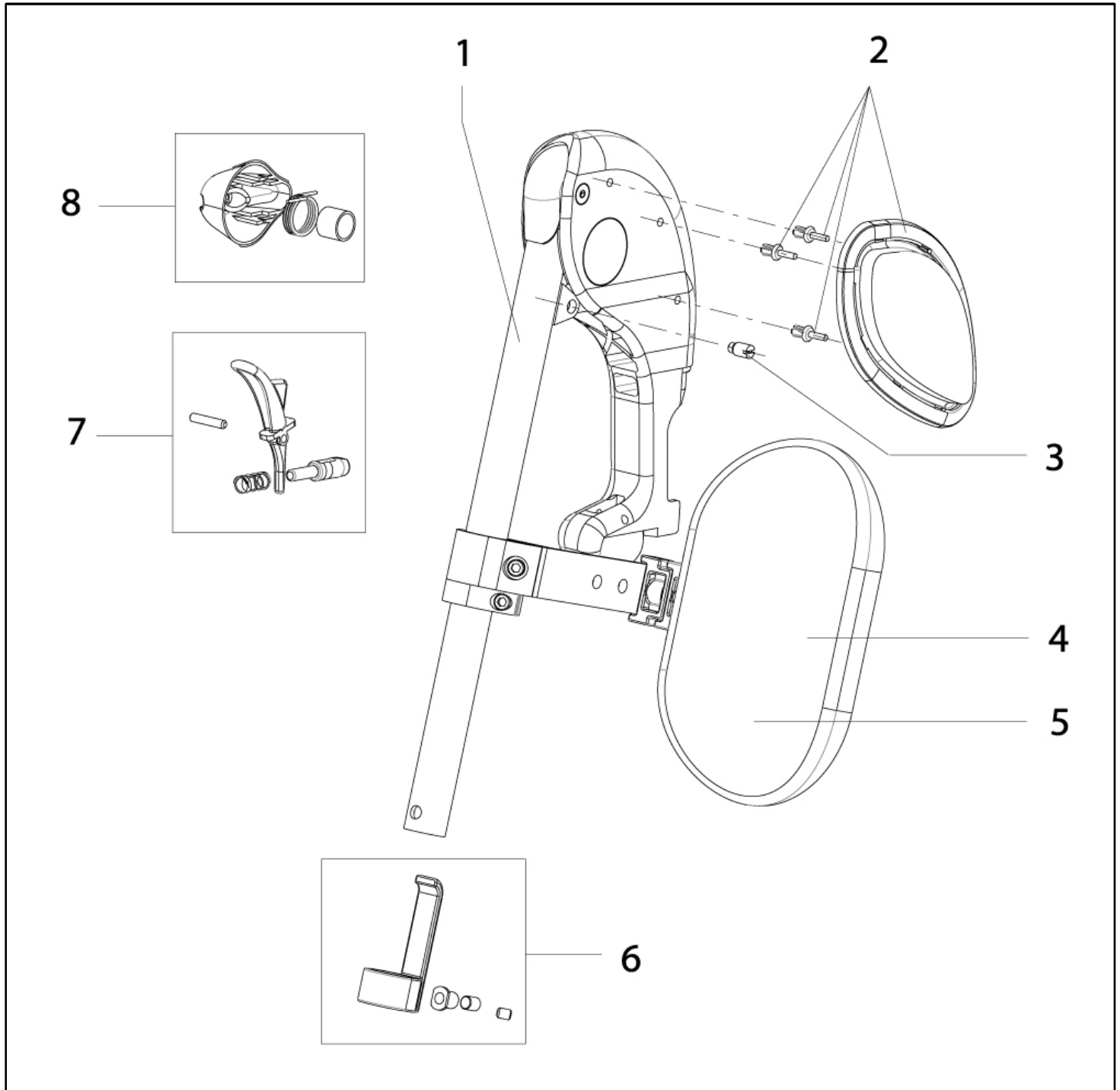
Hanger, aluminium, swing away



Pos	Item number	Description	Comment
1.1 - 4.4	76705020-001	Hanger 70° cpl.	left/right useable
1.1 - 4.4	76705020-002	Hanger 80° cpl.	left/right useable

Pos	Item number	Description	Comment
2.1 - 2.2	76705021	Footrest locking mechanism cpl.	left/right useable
2.2	000114007-ET	Countersunk screw 3,5x8 10.9	25 pcs./pack
3.1 - 3.4	76705022	Swing Away equipment cpl.	left/right useable
3.3	103496-007-ET	Socket head cap screw DIN 912 M8 x 30	25 pcs./pack
3.4	000128018-ET	Hex nut M 8 DIN 985	25 pcs./pack
4.1 - 4.4	76705023	Calf strap bracket with footrest clamp cpl.	left/right useable
4.1	76705025	Calf strap bracket	2 pcs./pack
4.2	064918	Bracket	10 pcs./pack
4.3	76705024	Thread insert	2 pcs./pack
4.4	066903-001-ET	Headless screw DIN 916 M8 x 16	25 pcs./pack

Hanger, aluminium, flip-up, swing away (ELR)



Pos	Item number	Description	Comment
-	064840-001	ELR-Footrest (w/o footplate)	left
1 - 8	064840-002	ELR-Footrest (w/o footplate)	right
2	064766-000-ET	Knee pad	Pair
3	064855-ET	Headless screw	10 pcs/pack
4	064927	Calf pad cover	

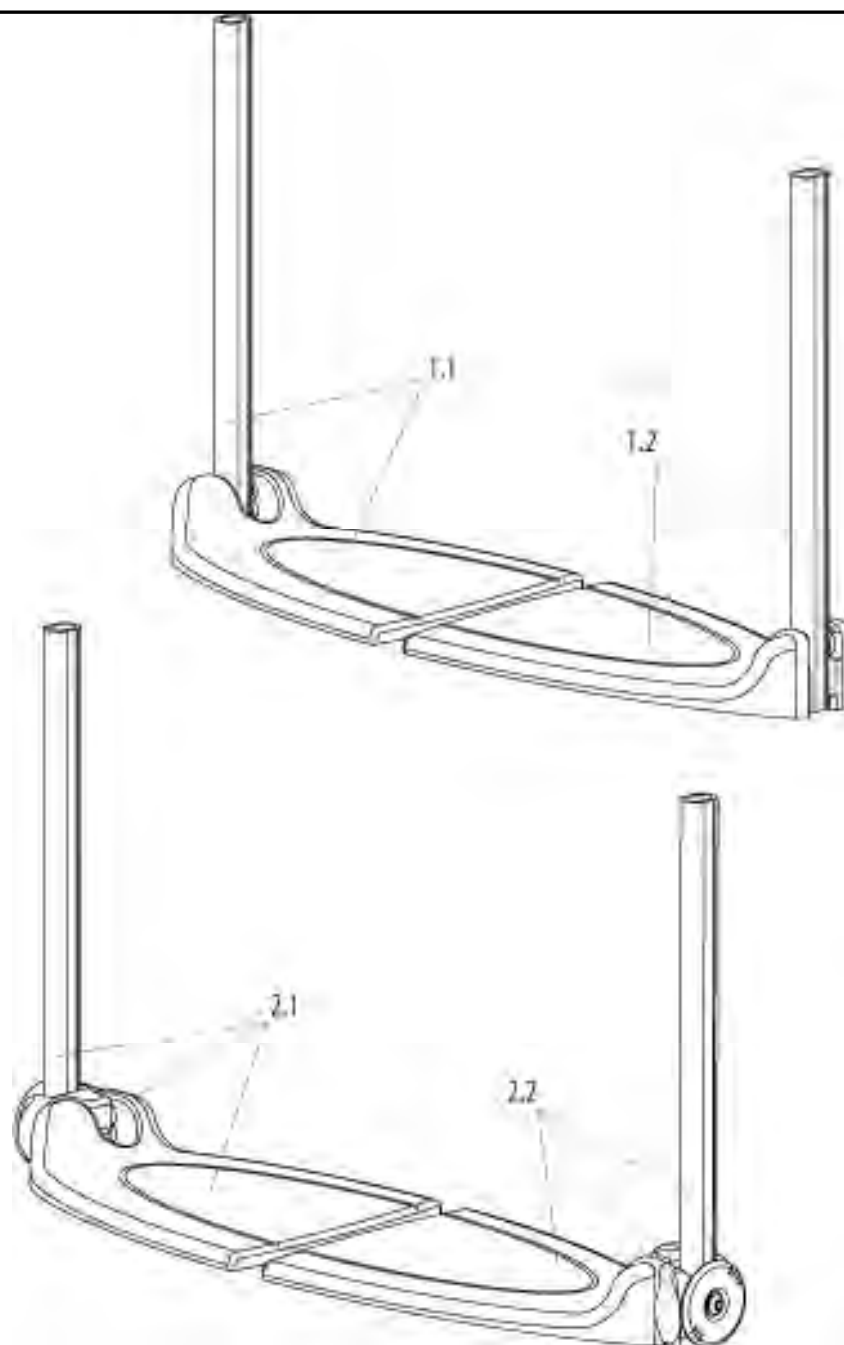
Pos	Item number	Description	Comment
4 - 5	064924	Calf pad with cover	
6	069942	Clamp used with footrest (incl. mounting accessoires)	Pair
7	069940	Release lever cpl.	
8	069941	Release mechanism	

**Footboard measuring overview**

Kein Bild vorhanden  
no image available

Pos	Item number	Description	Comment
-	ET05305011	Footrest measuring overview, composite and aluminium, Neon2	
-	ET05305013	Footrest measuring overview, lightweight and performance, Neon2	

## Footboard divided, composit, flip up and angle adjustable



Pos	Item number	Description	Comment
1.1	054250-001	Plastic footplate SW: 44-50	right
1.2	054250-009	Plastic footplate SW: 44-50	left
1.1	054250-002	Plastic footplate SW: 40-42	right
1.2	054250-010	Plastic footplate SW: 40-42	left
1.1	054250-003	Plastic footplate SW: 36-38	right
1.2	054250-011	Plastic footplate SW: 36-38	left
1.1	054250-004	Plastic footplate SW: 32-34	right

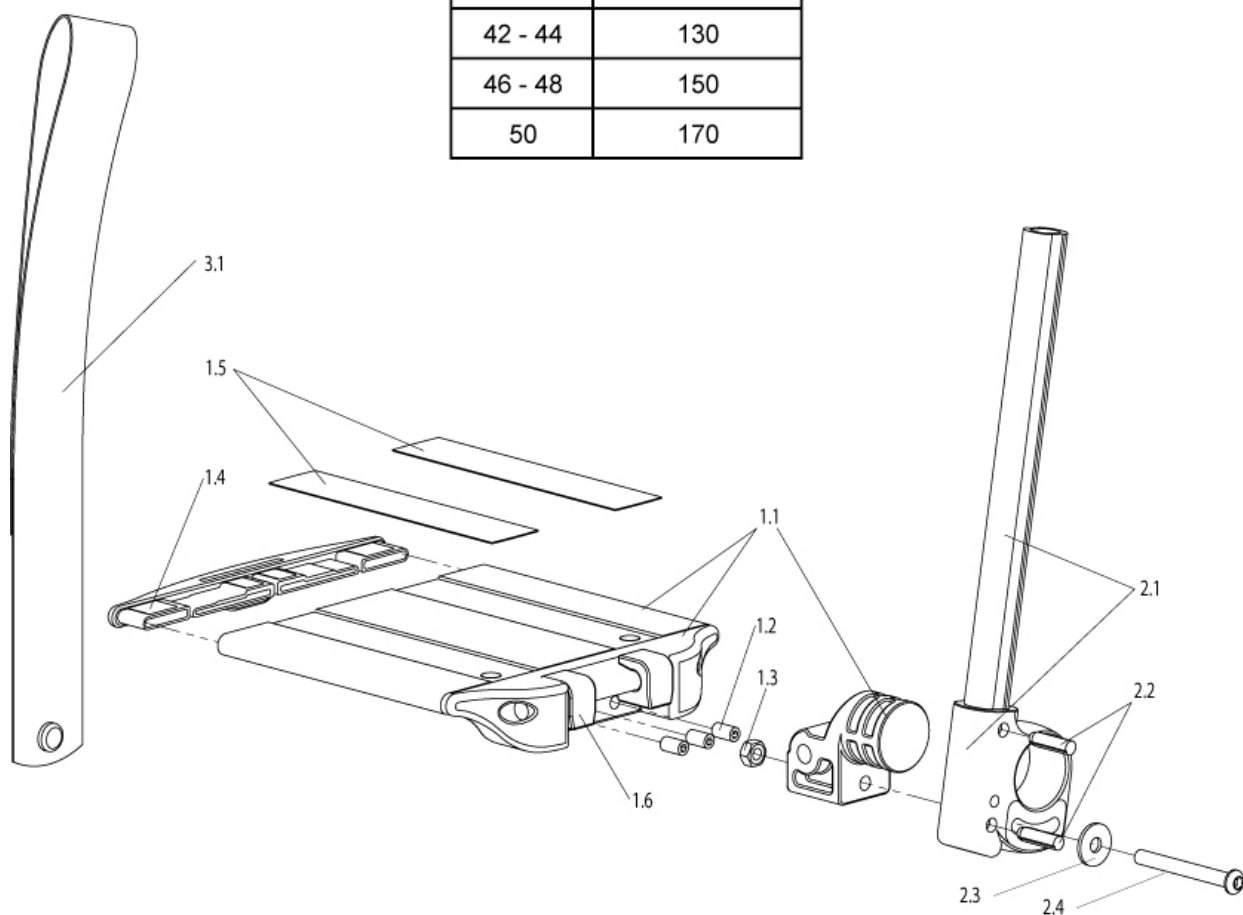
**Footboard divided, composit, flip up and angle adjustable**

<b>Pos</b>	<b>Item number</b>	<b>Description</b>	<b>Comment</b>
1.2	054250-012	Plastic footplate SW: 32-34	left
2.1	054250-005	Plastic footplate, angle adjustable SW: 48-54	right
2.2	054250-013	Plastic footplate, angle adjustable SW: 48-54	left
2.1	054250-006	Plastic footplate, angle adjustable SW: 44-46	right
2.2	054250-014	Plastic footplate, angle adjustable SW: 44-46	left
2.1	054250-007	Plastic footplate, angle adjustable SW: 40-42	right
2.2	054250-015	Plastic footplate, angle adjustable SW: 40-42	left
2.1	054250-008	Plastic footplate, angle adjustable SW: 36-38	right
2.2	054250-016	Plastic footplate, angle adjustable SW: 36-38	left



## Footboard divided, aluminium

SW [cm]	Footplate [mm]
30 - 32	70
34 - 36	90
38 - 40	110
42 - 44	130
46 - 48	150
50	170



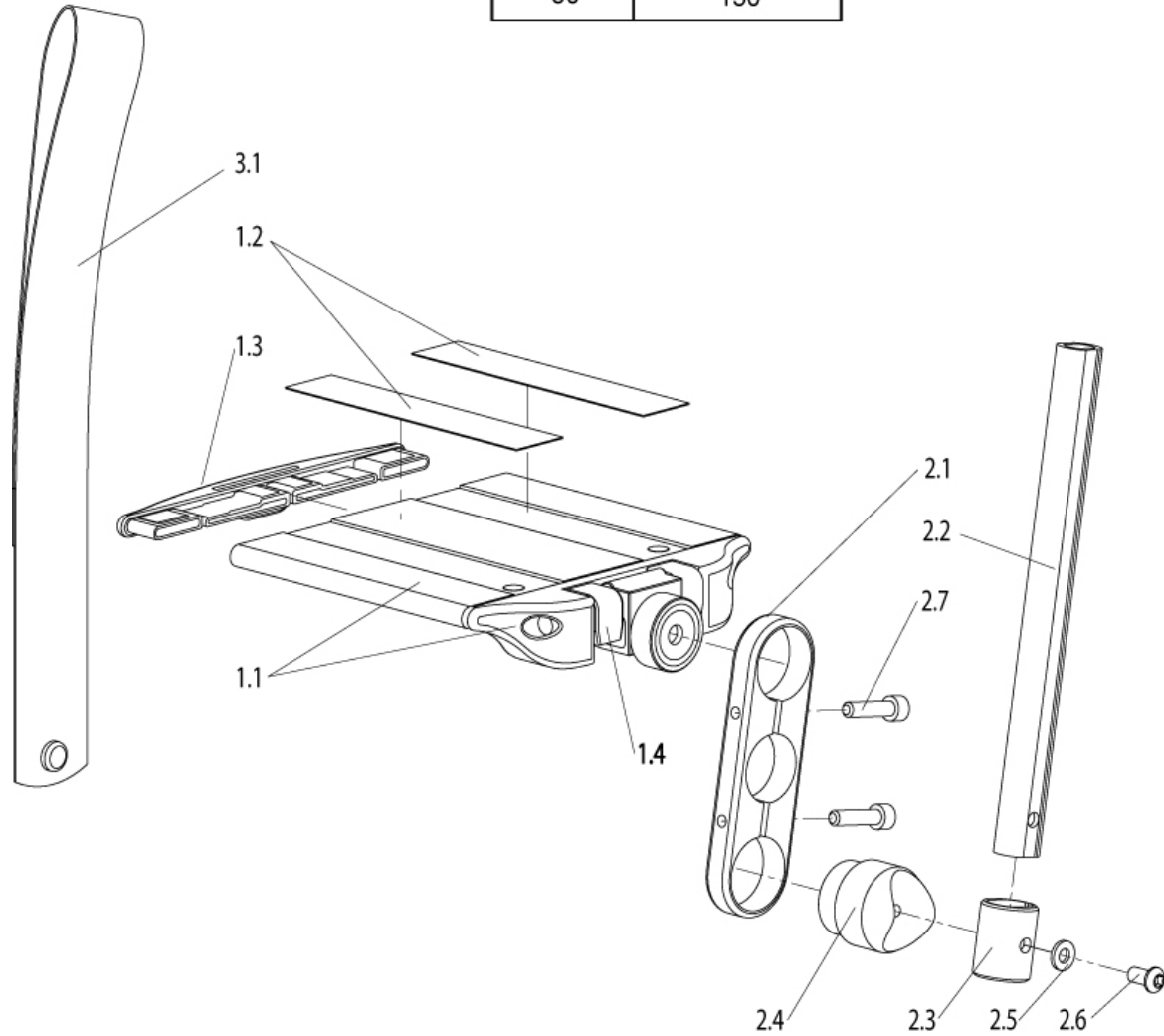
Pos	Item number	Description	Comment
1.1-3.1	054200-302	Divided Footplate, cpl.	Pair
1.1-3.1	054200-303	Divided Footplate, cpl.	right
1.1-3.1	054200-304	Divided Footplate, cpl	left
1.1-1.5	054200-305	Divided Footplate	
1.2	000105003-ET	Stud bolt M 6 x 12 DIN 619	12 Pc/Pac.
1.3	000128007-ET	Hex nut M 6 DIN 985	25 Pc/Pac.
1.4	054212	Cover inner side	

## Footboard divided, aluminium

Pos	Item number	Description	Comment
1.5	000821167	Slip resistant coating (Only available by the metre. Please indicate quantity)	
2.1-2.4	054200-312	Footrest tube with bracket cpl.	
2.2	000154012-ET	Cylindrical pin 6 x 22 DIN 1473	10 pcs./pack
2.3	000130121-ET	Washer A 6,4 DIN 7349	25 Pc/Pac.
2.4	000102314.01-ET	Button head cap screw M 6 x 55 Torx drive	25 Pc/Pac.
3.1	760824031	Heel loop for divided footplate	

## Footboard divided, aluminium, short LLL

SW [cm]	Footplate [mm]
34 - 36	70
38 - 40	90
42 - 44	110
46 - 48	130
50	150

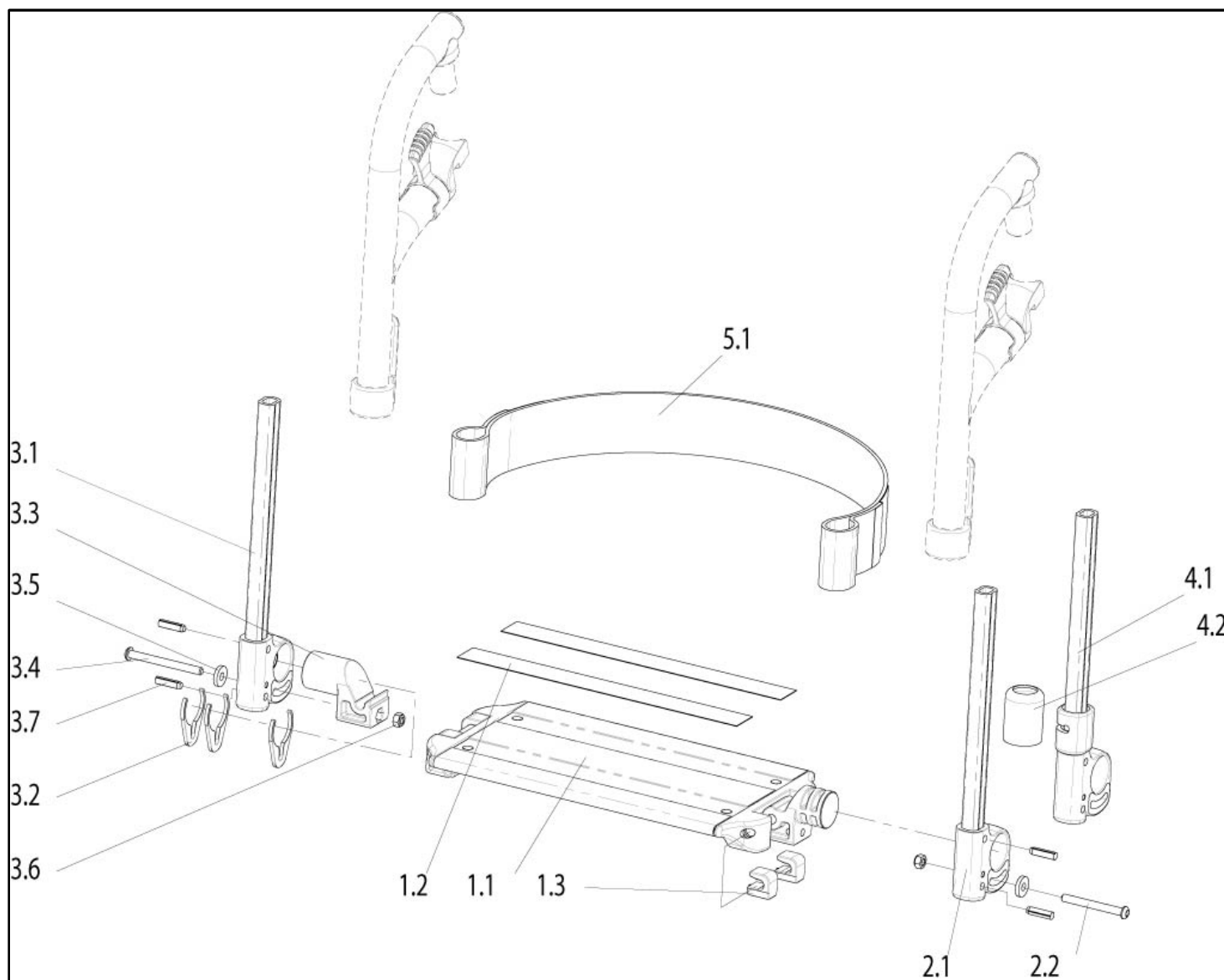


Pos	Item number	Description	Comment
1.1-3.1	054200-235	Footplates divided for short LLL 70mm cpl.	Pair
1.1-3.1	054200-236	Footplate divided for short LLL 70mm cpl.	right
1.1-3.1	054200-237	Footplate divided for short LLL 70mm cpl.	left
1.1-3.1	054200-238	Footplates divided for short LLL 90mm cpl.	Pair
1.1-3.1	054200-239	Footplate divided for short LLL 90mm cpl.	right
1.1-3.1	054200-240	Footplate divided for short LLL 90mm cpl.	left
1.1-3.1	054200-241	Footplates divided for short LLL 110mm cpl.	Pair
1.1-3.1	054200-242	Footplate divided for short LLL 110mm cpl.	right

**Footboard divided, aluminium, short LLL**

<b>Pos</b>	<b>Item number</b>	<b>Description</b>	<b>Comment</b>
1.1-3.1	054200-243	Footplate divided for short LLL 110mm cpl.	left
1.1-3.1	054200-244	Footplates divided for short LLL 130mm cpl.	Pair
1.1-3.1	054200-245	Footplate divided for short LLL 130mm cpl.	right
1.1-3.1	054200-246	Footplate divided for short LLL 130mm cpl.	left
1.1-3.1	054200-247	Footplates divided for short LLL 150mm cpl.	Pair
1.1-3.1	054200-248	Footplate divided for short LLL 150mm cpl.	right
1.1-3.1	054200-249	Footplate divided for short LLL 150mm cpl.	left
1.1-1.3	054200-128	Footplate divided for short LLL 70mm	
1.1-1.3	054200-129	Footplate divided for short LLL 90mm	
1.1-1.3	054200-130	Footplate divided for short LLL 110mm	
1.1-1.3	054200-131	Footplate divided for short LLL 130mm	
1.1-1.3	054200-132	Footplate divided for short LLL 150mm	
1.2	000821167	Skid tape loose length	
1.3	054212	End plug	
2.1-2.7	054200-313	Footrest bracket for short LLL	RH & LH usable
2.5	000130107-ET	Washer A 6,4 DIN 7349	25 Pc/Pac.
2.6	000102317.01-ET	Button head cap screw M 6 x 37 Torx drive	25 Pc/Pac.
2.7	000102006-ET	Socket cap screw M 6 x 25 DIN 912	25 Pc/Pac.
3.1	760824031	Heelloop for divided footplate	

## Footboard platform, aluminium, angle adjustable

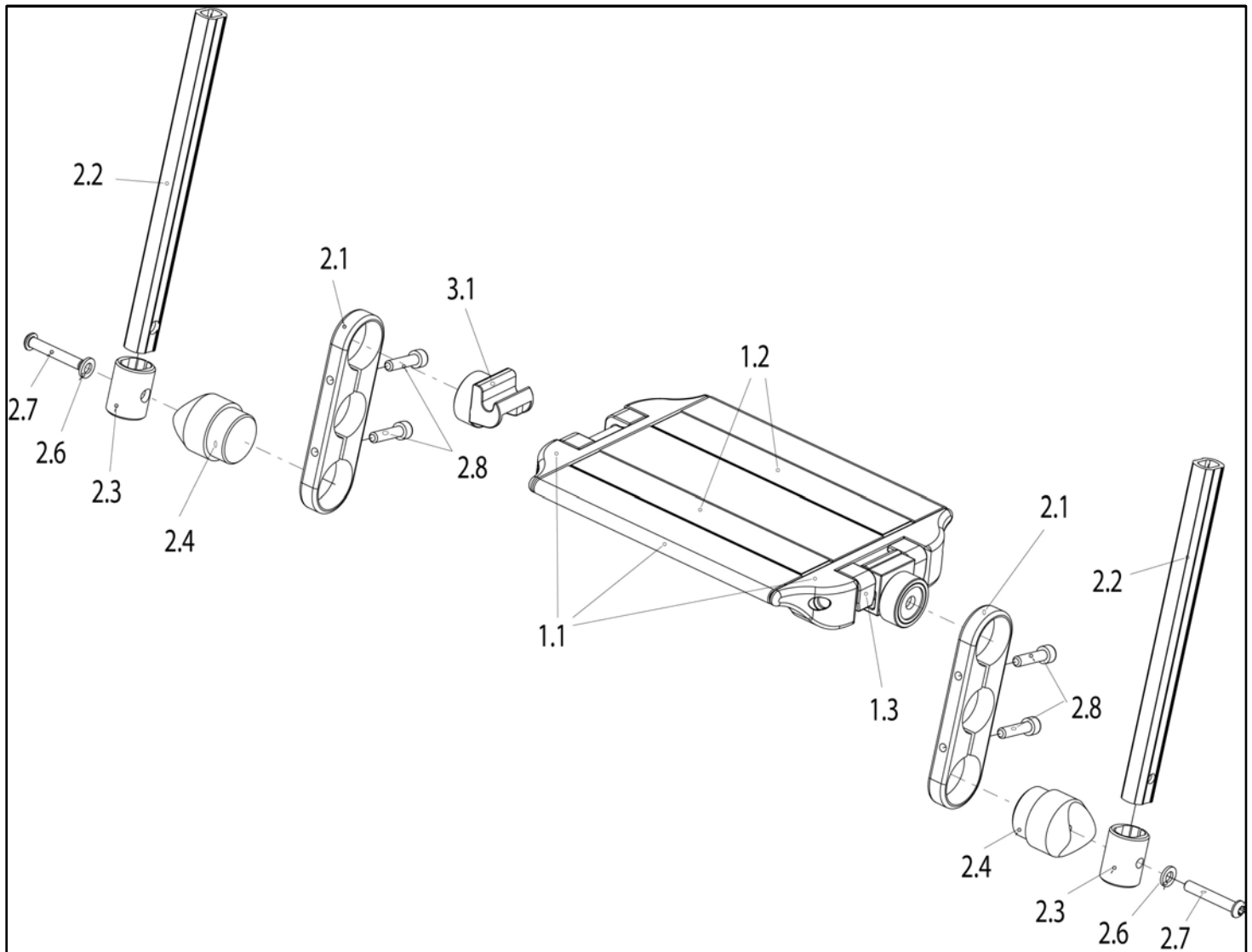


Pos	Item number	Description	Comment
1.1 - 1.3	054200-317	Single footplate complete	
1.1 - 3.7	068200-200	Platform footrest cpl.	
1.2	000821167	Slip resistant coating (Only available by the metre. Please indicate quantity)	(per metres)
1.3	760824032-ET	Clamp for footboard adjustment	12 pcs./pack
2.1 - 2.2 + 3.5 - 3.7	054200-312	Footrest tube with receiver cpl.	
2.2	000104019-ET	Button head cap screw , M6 x 55, ISO 7380	25 pcs./pack
3.2	068233-ET	Distance for length adjustment	6 pcs./pack
3.4	000104014-ET	Round head screw NB601 M 6 x 65	25 pcs./pack
3.5	000130121-ET	A 6.4 washer DIN 7349	25 pcs./pack

## Footboard platform, aluminium, angle adjustable

Pos	Item number	Description	Comment
3.6	000128007-ET	Hex nut M 6 DIN 985	25 pcs./pack
3.7	000154012-ET	Cylindrical grooved pin 6 x 22 DIN 1473	10 pcs./pack
4.1 + 4.2	054234-500	Footrest extension tube with swing-away mechanism cpl.	
4.2	000282097-ET	PVC cover cap	6 pcs./pack
5.1	76705030-001	Calf strap cpl. L= 750 mm - SW32 und SW34	
5.1	76705030-002	Calf strap cpl. L= 800 mm - SW36 und SW38	
5.1	76705030-003	Calf strap cpl. L= 850 mm - SW40 und SW42	
5.1	76705030-004	Calf strap cpl. L= 900 mm - SW44 und SW46	
5.3	066214-001-ET	Nut for footrest assembly	6 pcs./pack
5.4	066912-001-ET	Headless screw M8 x 10 - DIN 913	25 pcs./pack

**Footboard platform, aluminium, angle adjustable, high mount**



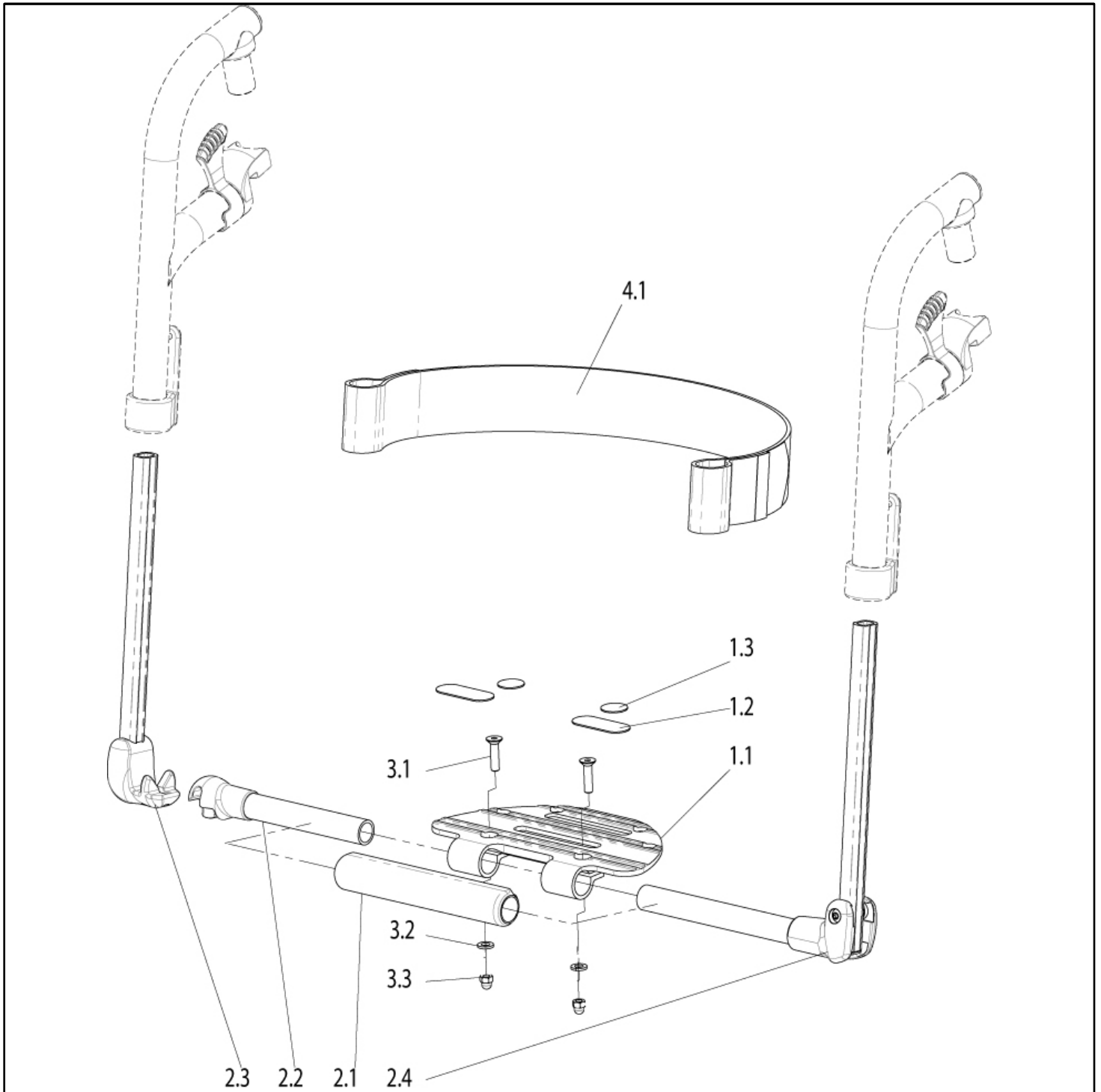
Pos	Item number	Description	Comment
1.1 - 1.3	054200-319	Platform footplate, angle adj., metal, short LLL	
1.1 - 3.1	054200-318	Platform footplate, angle adj., metal, short LLL, cpl.	
1.1-2.1	054200-341	Platform footplate complete 132.5mm for short LLL	
1.1-2.1	054200-342	Platform footplate complete 152.5mm for short LLL	
1.1-2.1	054200-343	Platform footplate complete 172.5mm for short LLL	
1.1-2.1	054200-344	Platform footplate complete 192.5mm for short LLL	
1.1-2.1	054200-345	Platform footplate complete 212.5mm for short LLL	
1.1-2.1	054200-346	Platform footplate complete 232.5mm for short LLL	
1.1-2.1	054200-347	Platform footplate complete 252.5mm for short LLL	
1.1-2.1	054200-348	Platform footplate complete 272.5mm for short LLL	
1.1-2.1	054200-349	Platform footplate complete 292.5mm for short LLL	
1.1-2.1	054200-350	Platform footplate complete 312.5mm for short LLL	

## Footboard platform, aluminium, angle adjustable, high mount

Pos	Item number	Description	Comment
1.1-2.1	054200-351	Platform footplate complete 332.5mm for short LLL	
1.2	000821167	Antislip coating	per meter
1.3	760824032-ET	Clamp for footplate adjustment	12 pcs./pack
2.1 - 2.8	054200-313	Footplate bracket for short LLL	LH/RH useable
2.6	000130107-ET	Washer A6.4 DIN 125	25 pcs./pack
2.7	000102311.01-ET	Lens head screw M6 x 27 with Torx drive	25 pcs./pack
2.8	000102006-ET	Cylindrical haed socket screw M6 x 25, DIN 912	25 pcs./pack
3.1	840824006-ET	Support segment	



Platform footrest, angle adjustable, performance

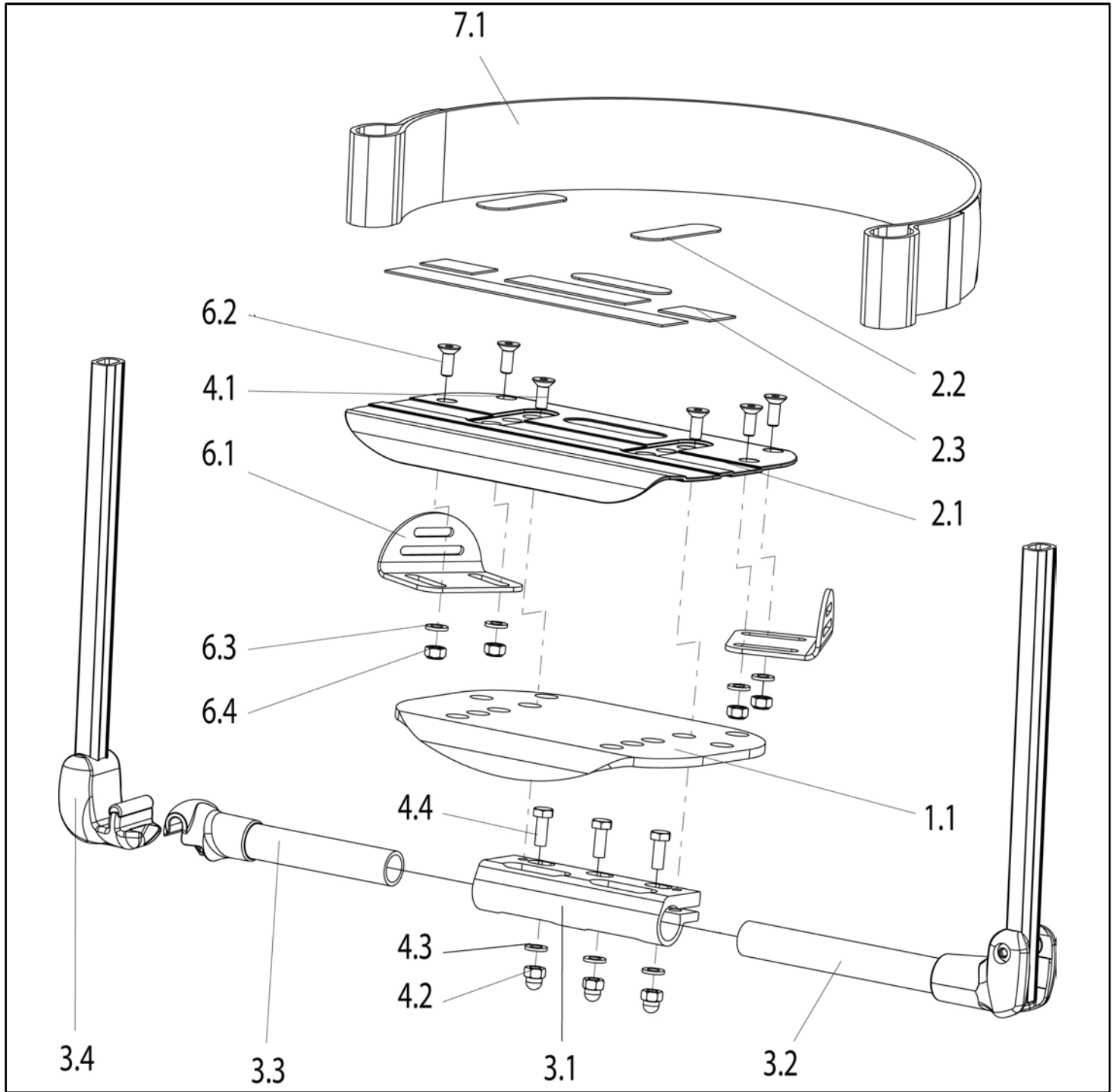


Pos	Item number	Description	Comment
1.1-3.3	068200-300	Performance footrest	
1.1-1.3 + 2.1 + 3.1-3.3	068812-000	Performance footrest with mounting parts	
1.2-1.3	066232-002	Anti slip set for large performance footrest	2 pcs./pack
1.2-1.3	066232-001	Anti slip set for small performance footrest	2 pcs./pack

## Platform footrest, angle adjustable, performance

Pos	Item number	Description	Comment
2.1	066203-000	Tube front cover	
2.1-2.4	068815-000	Performance footrest, without footplate	
2.2 - 2.3	068205-100	Fork and receiver for cross tube, right side	
2.4	068207-000	Footrest pivot, left side	
3.1	000104069-ET	countersunk screw M6x25 DIN7991	25 pcs./pack
3.2	000130106-ET	Washer A 6.4 DIN 125 PA-clear	10 pcs./pack
3.3	000128049-ET	Hex nut M 6, black galvanized DIN 986	25 pcs./pack
4.1	76705030-001	Calf strap cpl. L= 750 mm - SW32 und SW34	
4.1	76705030-002	Calf strap cpl. L= 800 mm - SW36 und SW38	
4.1	76705030-003	Calf strap cpl. L= 850 mm - SW40 und SW42	
4.1	76705030-004	Calf strap cpl. L= 900 mm - SW44 und SW46	

Platform footrest, lightweight, angle- and depth adjustable

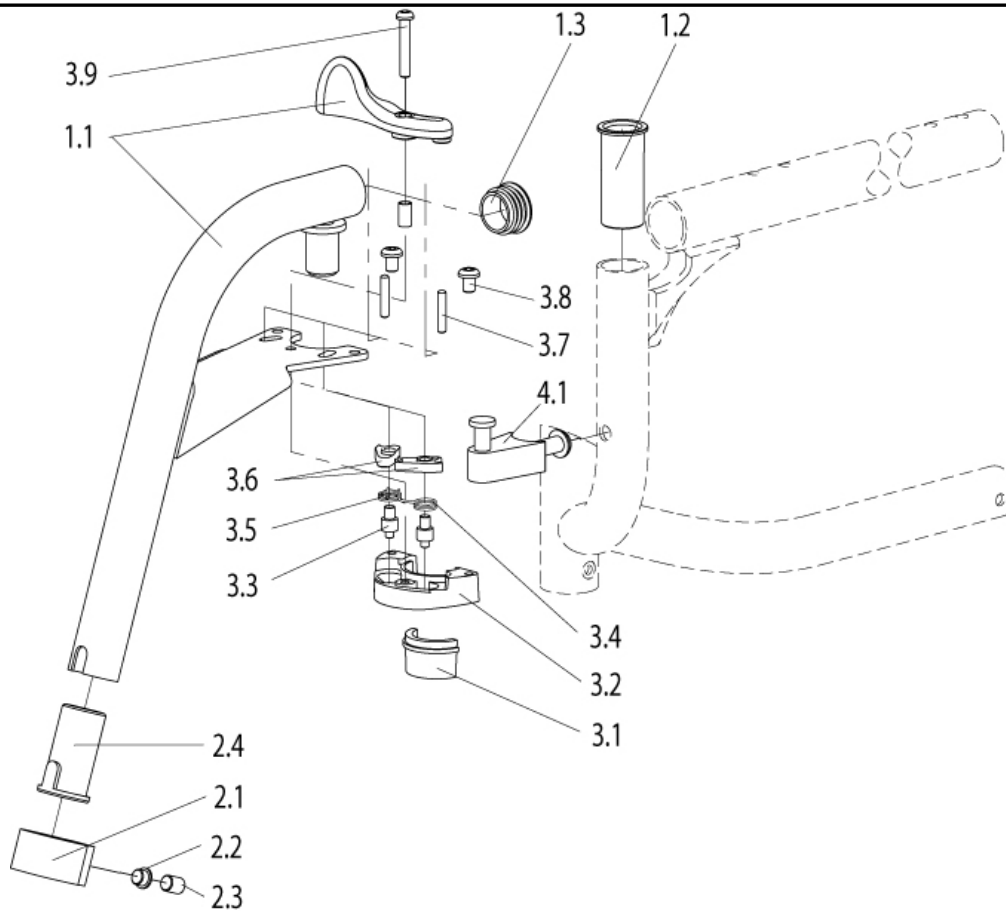


Pos	Item number	Description	Comment
1.1, 3.1 - 4.4	068200-040	Platform footrest depth adj. footplate, Composite plate	
1.1, 4.1 - 4.4	068813-000	Composite plate with mounting parts and anti slip sticker	
2.1 - 2.3, 4.1 - 4.4	068814-000	Carbon plate with mounting parts and anti slip sticker	

## Platform footrest, lightweight, angle- and depth adjustable

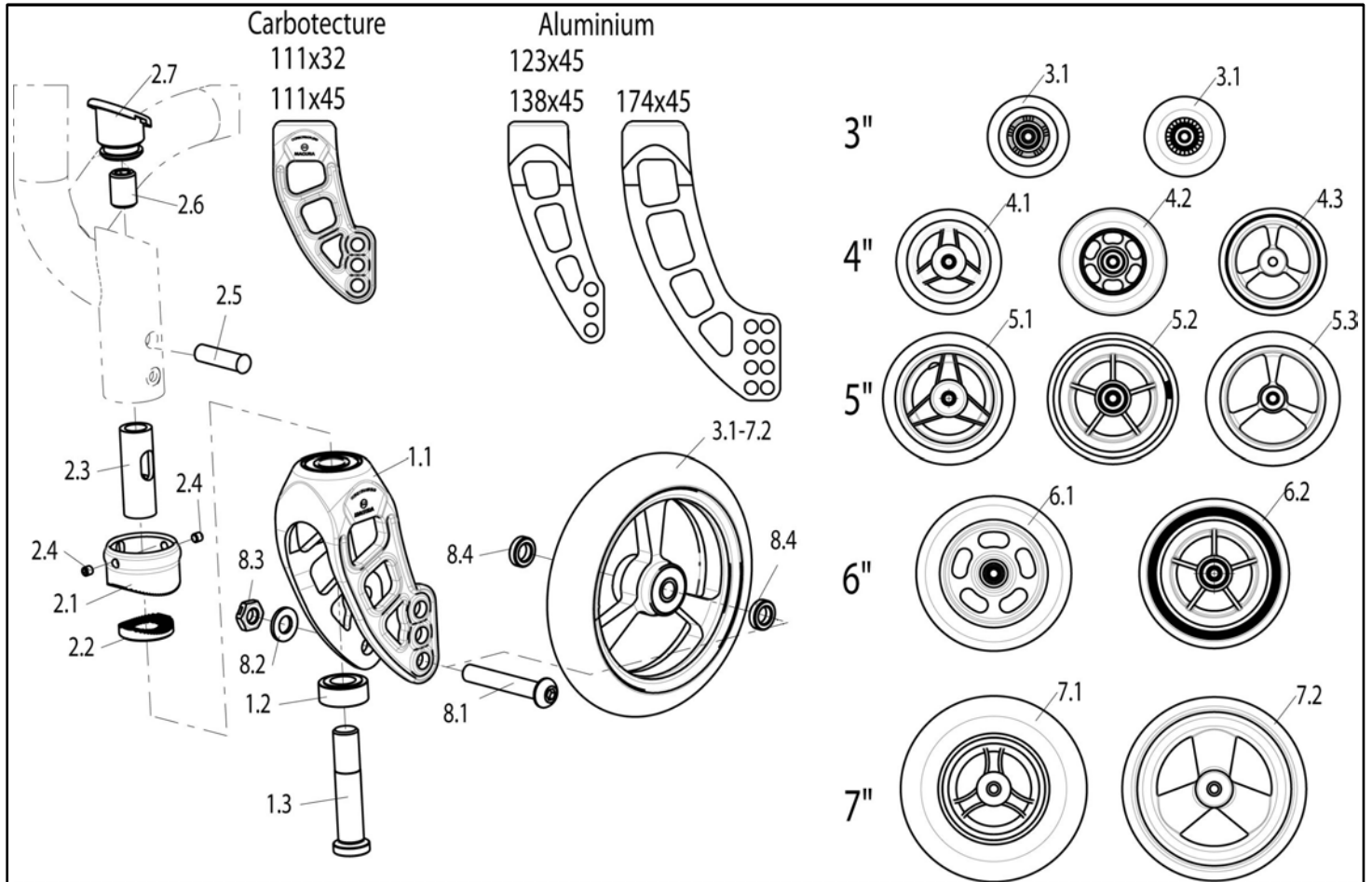
Pos	Item number	Description	Comment
2.1 - 4.4	068200-020	Platform footrest depth adj. footplate, Carbon plate	
2.2 + 2.3	068226-010	Antislip sticker Carbonfoot plate cpl. small: SW32+40 with 0 inset SW32+34+36+38 with 1 inset	
2.2 + 2.3	068226-020	Antislip sticker Carbon footplate cpl. medium:SW36+38 with 0 inset, SW40+42 with 1 inset	
2.2 + 2.3	068226-030	Antislip sticker Carbon footplate cpl. Large: SW40+42+44+46 with 0 inset SW44+46 with 1 inset	
3.1 - 3.4	068817-000	Platform footrest depth adj., without footplate	
3.1	06802227	Clamp for footplate	
3.2	068207-000	Footrest pivot, left side	
3.3 - 3.4	068205-100	Fork and receiver for cross tube, right side	
4.1	000104069-ET	countersunk screw M6x25 DIN7991	10 pcs./pack
4.2	000128049-ET	Hex nut M 6, black galvanized DIN 986	25 pcs./pack
4.3	000130106-ET	Washer A 6.4 DIN 125 PA-clear	10 pcs./pack
6.1 - 6.4	068890	Footrest Positioning Plate	2 pcs./pack
6.2	066902-001-ET	Counter sunk screw M 6 x 16 - DIN 7991	25 pcs./pack
6.3	000130007-ET	A 6.4 washer DIN 125	pair
6.4	058903-ET	Hex nut M 6 DIN 985	25 pcs./pack
7.1	76705030-001	Calf strap cpl. L= 750 mm	
7.1	76705030-002	Calf strap cpl. L= 800 mm	
7.1	76705030-003	Calf strap cpl. L= 850 mm	
7.1	76705030-004	Calf strap cpl. L= 900 mm	
	000821167	Slip resistant coating (Only available by the metre. Please indicate quantity)	(per metres)

## EU Quickie Hemi Hanger 70°



Pos	Item number	Description	Comment
1.1- 4.1	054332-000	EU QUICKIE HEMI hanger 70° cpl.	Pair
1.1- 4.1	054332-001	EU QUICKIE HEMI hanger 70° cpl.	right
1.1- 4.1	054332-002	EU QUICKIE HEMI hanger 70° cpl.	left
1.2	054201	Bushing footrest	4 pcs/ pack
1.3	054221-ET	End plug	4 pcs/ pac
2.1- 2.4	054287	Footrest clamp cpl.	Pair
3.1- 3.10	054288-001	Footrest locking Mechanism cpl.	right
3.1- 3.10	054288-002	Footrest locking Mechanism cpl.	left
4.1	920220M	SA latch stud support assy	

Forks and castors



Pos	Item number	Description	Comment
1.1	066581-001	Carbotecture Fork 111x45 black	
1.1	066581-002	Carbotecture Fork 111x45 silver	
1.1	066581-003	Carbotecture Fork 111x45 orange	
1.1	066581-004	Carbotecture Fork 111x45 red	
1.1	066581-005	Carbotecture Fork 111x45 blue	
1.1	066582-001	Carbotecture Fork 111x32 black	
1.1	066582-002	Carbotecture Fork 111x32 silver	
1.1	066582-003	Carbotecture Fork 111x32 orange	
1.1	76707007-101	Castor fork 138 mm, 45 mm wide with bearing, black	left/right useable
1.1	76707007-102	Castor fork 138 mm, 45 mm wide with bearing, silver	left/right useable
1.1	76707007-103	Castor fork 138 mm, 45 mm wide with bearing, orange	left/right useable
1.1	76707008-101	Castor fork, 174 mm, 45 mm wide with bearing, black	left/right useable
1.1	76707008-102	Castor fork, 174 mm, 45 mm wide with bearing, silver	left/right useable

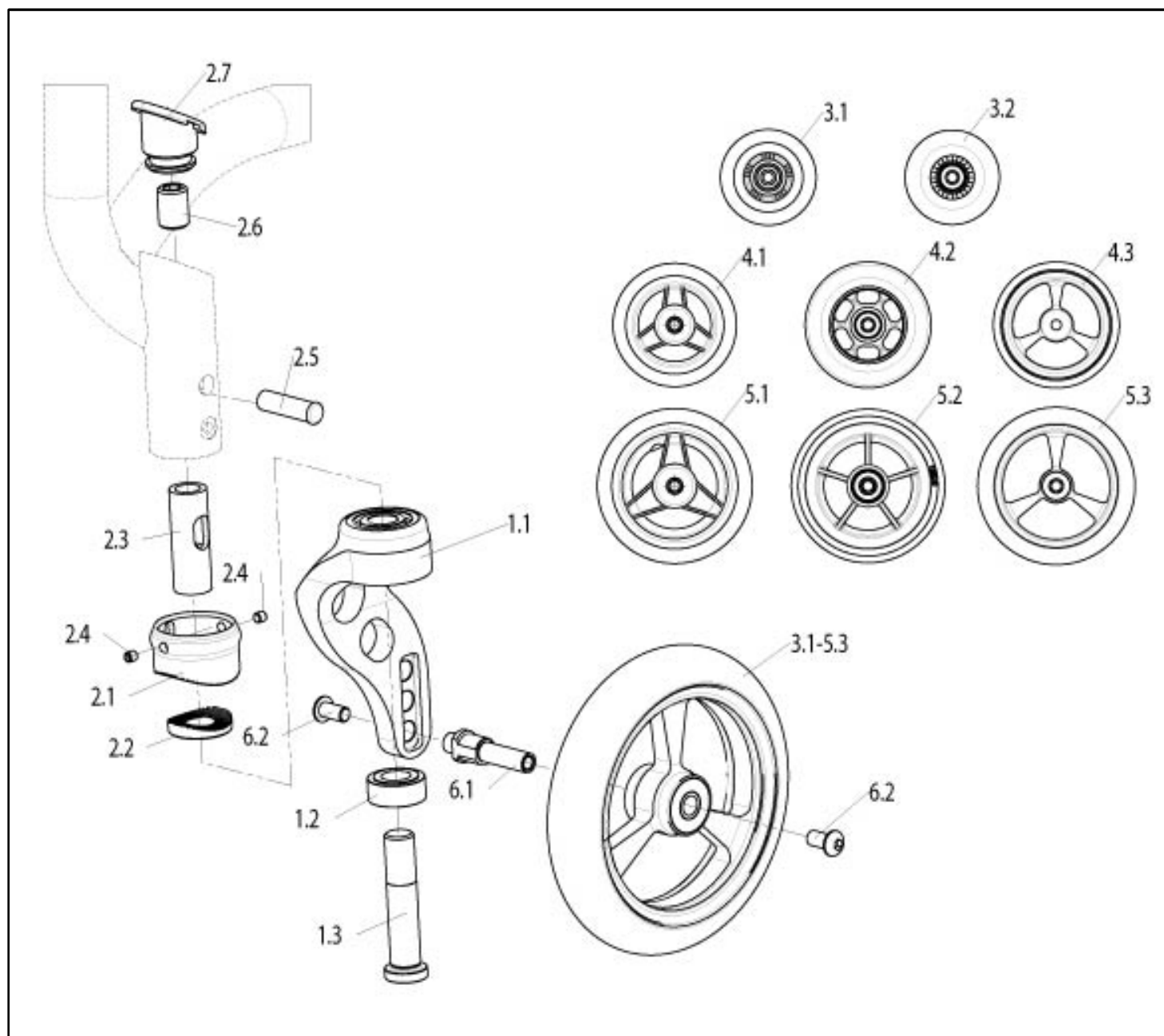
Pos	Item number	Description	Comment
1.1	76707008-103	Castor fork, 174 mm, 45 mm wide with bearing, orange	left/right useable
2.1-2.2 + 2.4	051583	Castor spline set	one side only
2.4	000105004-ET	Set screw M 5 x 4 A2	10 Pcs./Pac.
2.7	050087-ET	Castor cap with O ring	4 Pcs./Pac.
1.3	615858017.04	60 mm castor shaft	
1.2-1.3 + 2.1-2.7	051574	Fitting accessories for castor hanger, rigid	left/right useable
3.1 + 8.1-8.4	058536	3inch solid castor, with axle cpl.	left/right useable
3.1 + 8.1-8.4	000858033	3inch light-up castor, with axle cpl.	left/right useable
4.1 + 8.1-8.4	765858011	4inch solid castor, with axle cpl.	left/right useable
4.2 + 8.1-8.4	765858012	4inch light-up castor, with axle cpl.	left/right useable
4.3 + 8.1-8.4	000858180	4inch castor with aluminium rim and axle cpl.	left/right useable
4.3 + 8.1-8.4	000858182	4 x 1.4 inch soft roll castor with aluminium rim, wide version and axle cpl.	silver
4.3 + 8.1-8.4	05308201-001	4 x 1.4 inch soft roll castor with aluminium rim, wide version and axle cpl.	black
4.3 + 8.1-8.4	05308201-002	4 x 1.4 inch soft roll castor with aluminium rim, wide version and axle cpl.	orange
4.3 + 8.1-8.4	05308201-003	4 x 1.4 inch soft roll castor with aluminium rim, wide version and axle cpl.	red
4.3 + 8.1-8.4	05308201-004	4 x 1.4 inch soft roll castor with aluminium rim, wide version and axle cpl.	blue
5.2 + 8.1-8.4	054570	5inch soft solid castor, with axle cpl.	left/right useable
5.1 + 8.1-8.4	765858013	5inch solid castor, with axle cpl.	left/right useable
5.3 + 8.1-8.4	000858184	5inch castor with aluminium rim and axle cpl.	left/right useable
5.3 + 8.1-8.4	000858183	5inch soft roll castor with aluminium rim, wide version and axle cpl.	silver
5.3 + 8.1-8.4	05308202-001	5inch soft roll castor with aluminium rim, wide version and axle cpl.	black
5.3 + 8.1-8.4	05308202-002	5inch soft roll castor with aluminium rim, wide version and axle cpl.	orange
5.3 + 8.1-8.4	05308202-003	5inch soft roll castor with aluminium rim, wide version and axle cpl.	red
5.3 + 8.1-8.4	05308202-004	5inch soft roll castor with aluminium rim, wide version and axle cpl.	blue
	058556	5inch light-up castor, with axle cpl.	left/right useable
6.1 + 8.1-8.4	760858364	6inch soft solid castor, with axle cpl.	left/right useable

## Forks and castors

Pos	Item number	Description	Comment
6.2 + 8.1-8.4	000858043	6inch solid castor, with axle cpl.	left/right useable
7.1 + 8.1-8.4	000858151	Castor 7 Inch Pneumatic	left/right useable
7.1 + 8.1-8.4	000858150	Castor 7 Inch Solid	left/right useable
8.1	000104113-ET	Oval head screw M8 x 60 ISO 7380	10 Pcs./Pac.
8.2	000130108-ET	A 8.4 washer DIN 125	25 Pcs./Pac.
8.3	000128020-ET	Hex nut M8 Trelock, half height	25 Pcs./Pac.
8.4	058512-ET	Washer for Castor 3,5mm	10 Pcs./Pac.
-	066522-001	Castor fork, aluminium, 123 x 45 mm, with bearing, black	
-	066522-002	Castor fork, aluminium, 123 x 45 mm, with bearing, silver	
-	066522-003	Castor fork, aluminium, 123 x 45 mm, with bearing, orange	



## One arm fork and castors

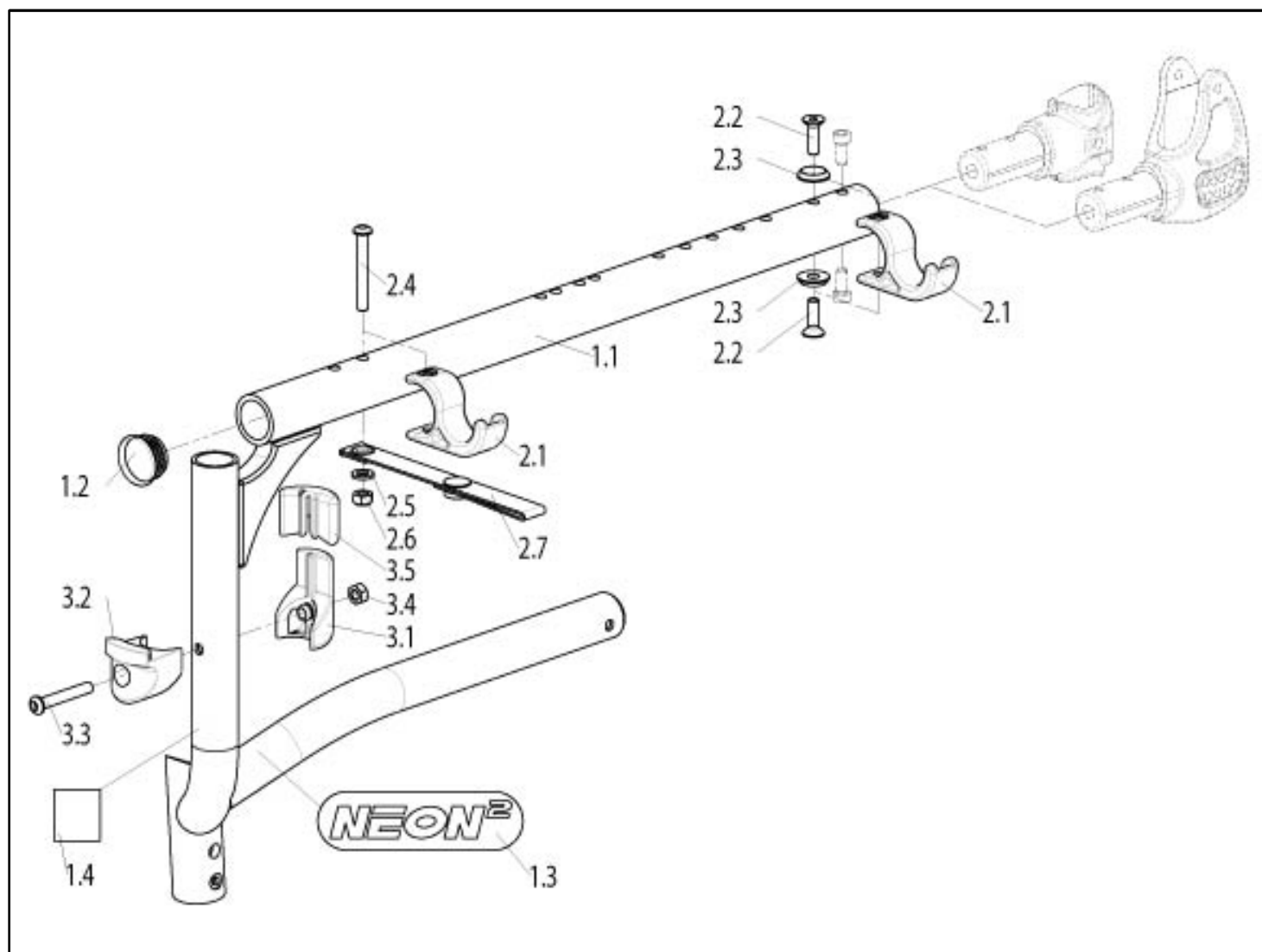


Pos	Item number	Description	Comment
1.1	066584-011	One arm fork kpl. black	LH
1.1	066584-012	One arm fork kpl. black	RH
1.1	066584-021	One arm fork kpl. silver	LH
1.1	066584-022	One arm fork kpl. silver	RH
1.1	066584-130	One arm fork kpl. orange	Pair
1.1	066584-150	One arm fork kpl. red	Pair
1.1	066584-160	One arm fork kpl. blue	Pair
6.1 - 6.2	066587-002	Castor Axle cpl for one arm fork (wide)	

## One arm fork and castors

Pos	Item number	Description	Comment
6.1 - 6.2	066587-001	Castor Axle cpl for one arm fork (narrow)	
1.2-1.3 + 2.1- 2.7	051574	Fitting accessories for fixed caster hanger (starting cw 23 /2006)	left/right useable
2.1-2.2 + 2.4	051583	Castor spline set	one side only
2.4	000105004-ET	Set screw M 5 x 4 A2	10 Pc./Pac.
2.7	050087-ET	Castor cap with O ring	4 Pc./Pac.
1.3	615858017.04	60 mm castor shaft	left/right useable
3.1 + 8.1-8.4	068550	3inch solid castor, with axle cpl.	left/right useable
3.1 + 8.1-8.4	068551	3inch light-up castor, with axle cpl.	left/right useable
4.1 + 8.1-8.4	068552	4inch solid castor, with axle cpl.	left/right useable
4.2 + 8.1-8.4	068553	4inch light-up castor, with axle cpl.	left/right useable
4.3 + 8.1-8.4	068554	4inch castor with aluminium rim and axle cpl.	left/right useable
4.3 + 8.1-8.4	068555	4 x 1.4 inch soft roll castor with aluminium rim, wide version and axle cpl.	silver
4.3 + 8.1-8.4	068555-001	4 x 1.4 inch soft roll castor with aluminium rim, wide version and axle cpl.	black
4.3 + 8.1-8.4	068555-002	4 x 1.4 inch soft roll castor with aluminium rim, wide version and axle cpl.	orange
4.3 + 8.1-8.4	068555-003	4 x 1.4 inch soft roll castor with aluminium rim, wide version and axle cpl.	red
4.3 + 8.1-8.4	068555-004	4 x 1.4 inch soft roll castor with aluminium rim, wide version and axle cpl.	blue
5.2 + 8.1-8.4	068558	5inch soft solid castor, with axle cpl.	left/right useable
5.1 + 8.1-8.4	068557	5inch solid castor, with axle cpl.	left/right useable
5.3 + 8.1-8.4	068560	5inch castor with aluminium rim and axle cpl.	left/right useable
5.3 + 8.1-8.4	068561	5inch soft roll castor with aluminium rim, wide version and axle cpl.	silver
5.3 + 8.1-8.4	068561-001	5inch soft roll castor with aluminium rim, wide version and axle cpl.	black
5.3 + 8.1-8.4	068561-002	5inch soft roll castor with aluminium rim, wide version and axle cpl.	orange
5.3 + 8.1-8.4	068561-003	5inch soft roll castor with aluminium rim, wide version and axle cpl.	red
5.3 + 8.1-8.4	068561-004	5inch soft roll castor with aluminium rim, wide version and axle cpl.	blue
(5.4) + 8.1-8.4	068559	5inch light-up castor, with axle cpl.	left/right useable

Frame

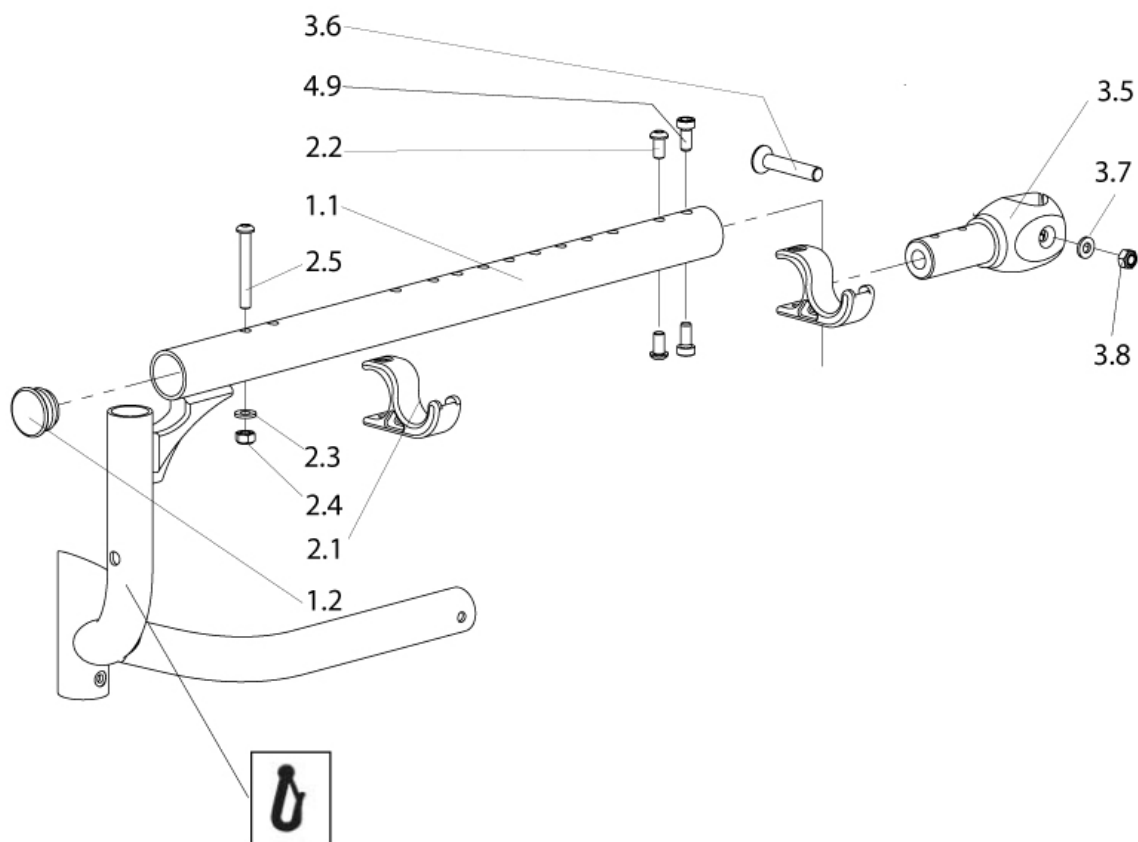


Pos	Item number	Description	Comment
1.1	05301130-001	Frame coated, SD 30-40	
1.1	05301130-002	Frame coated, SD 42-44	
1.1	05301130-003	Frame coated, SD 46-48	
1.1	05301130-004	Frame coated, SD 50	
1.2	054121-ET	Insert plug 1 1/8 inch	4 pcs./pack
1.2 + 2.1-3.5	05301101	Frame accessories	2 sides
1.3	05301001-001	Neon 2 Logo sticker, black	1 pc./pack
1.3	05301001-002	Neon 2 Logo sticker, silver	1 pc./pack
1.3	05301001-003	Neon 2 Logo sticker, orange	1 pc./pack
1.3	05301001-004	Neon 2 Logo sticker, red	1 pc./pack
1.3	05301001-005	Neon 2 Logo sticker, blue	1 pc./pack
1.4	000412.6307-ET	Label - Tie down point -, white	4 pcs./pack

## Frame

Pos	Item number	Description	Comment
1.4	000412.6309-ET	Label - Tie down point -, black	4 pcs./pack
2.1	052032	Seat tube saddle	
2.1 + 2.4-2.6	052032-000	Seat tube saddle, front cpl.	
2.1-2.3	05301102	Seat tube saddle, rear cpl.	
2.3	000138017-ET	Countersunk washer for M 6	25 pcs/pack
2.4	000102056.01-ET	Oval head screw M6 x 45 with Torx drive	25 pcs/pack
2.5	000130107-ET	Washer A 6,4 DIN125	25 pcs/pack
2.6	000128007-ET	Hex nut - DIN 985 - M6	25 pcs/pack
3.1-3.4	05301103	Mounting accessory footrest	left/right usable
3.3	000102056.01-ET	Oval head screw M6 x 45 with Torx drive	25 pcs/pack
3.4	000128007-ET	Hex nut - DIN 985 - M6	25 pcs/pack
3.5	71102019-ET	Hanger stop	2 pcs./pack
2.4-2.7	054129	Folding strap complete	

Hemi Frame

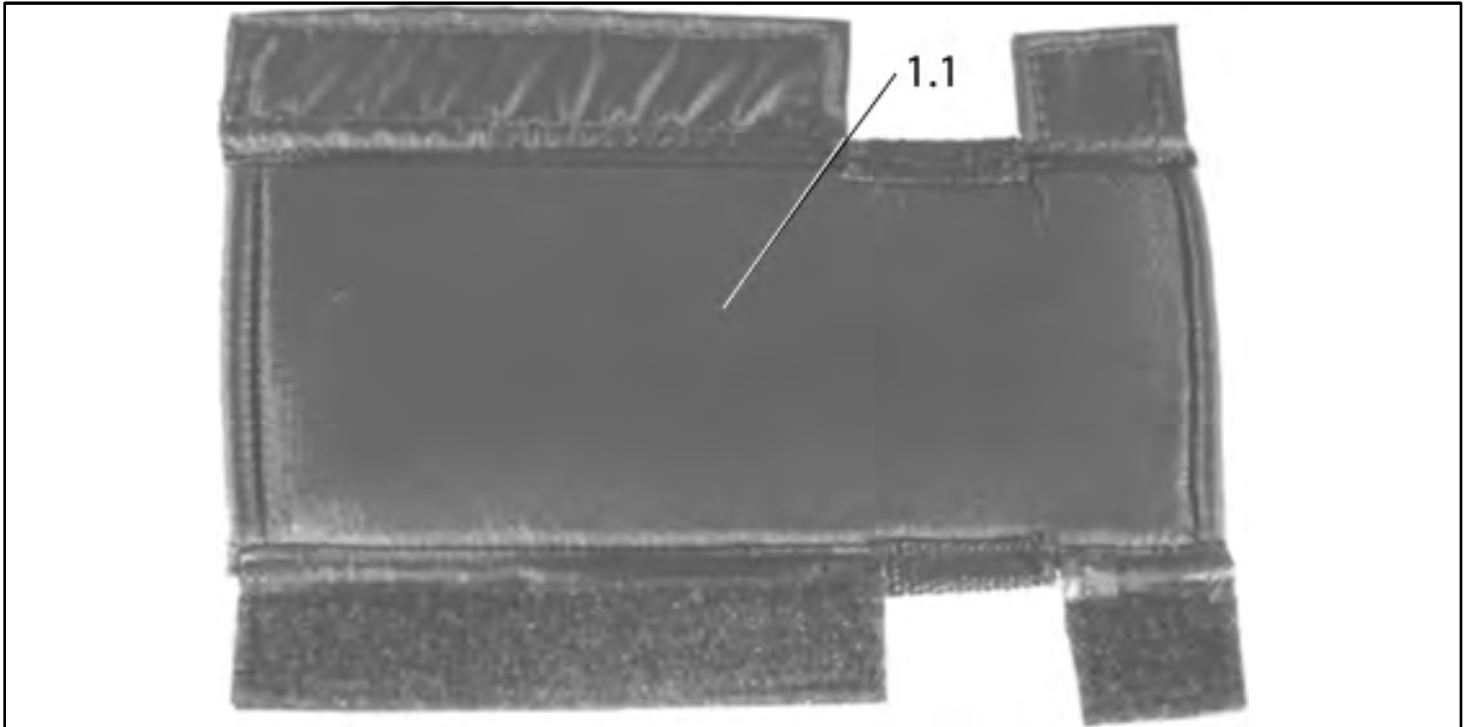


Pos	Item number	Description	Comment
1.1-3.3	054116-002	Hemi Frame, coated, complete SD 30 -40	RH, opposite side must be replaced too
1.1-3.3	054115-002	Hemi Frame, coated, complete SD 30 -40	LH, opposite side must be replaced too
1.1-3.3	054116-003	Hemi Frame, coated, complete SD 42 -44	RH, opposite side must be replaced too
1.1-3.3	054115-003	Hemi Frame, coated, complete SD 42 -44	LH, opposite side must be replaced too
1.1-3.3	054116-004	Hemi Frame, coated, complete SD 46 -48	RH, opposite side must be replaced too
1.1-3.3	054115-004	Hemi Frame, coated, complete SD 46 -48	LH, opposite side must be replaced too
1.2	054121-ET	Insert plug 1 1/8"	4 Pc./Pack
2.1-2.4	052032-000	Seat tube saddle cpl.	
2.1	052032	Seat tube saddle	

## Hemi Frame

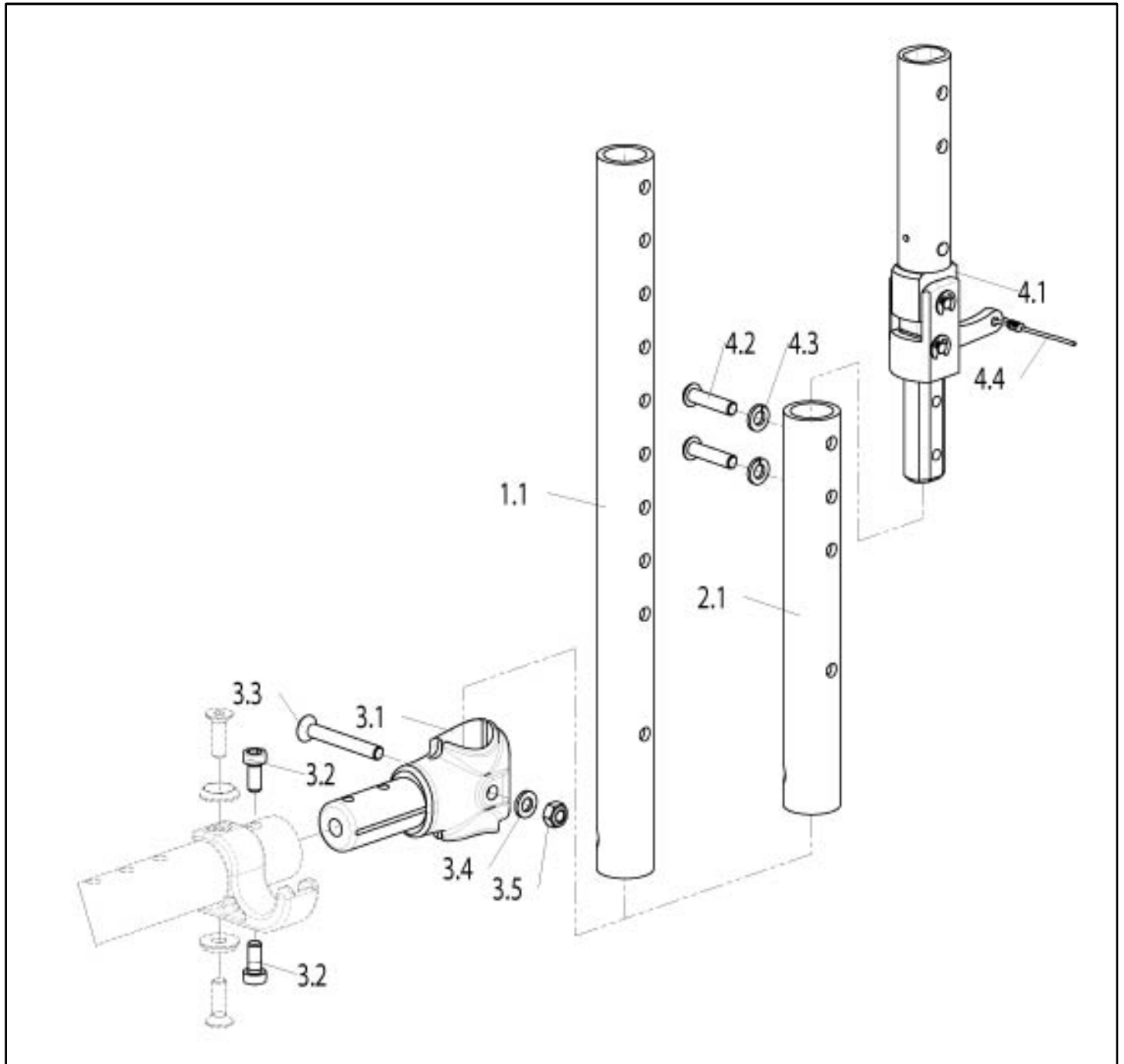
Pos	Item number	Description	Comment
2.2	000102308.01-ET	Button head cap screw M 6 x 12 Torx drive	25 Pc/Pac.
2.3	000130107-ET	Washer A 6,4 DIN 125	
2.5	000102313.01-ET	Button head cap screw M 6 x 50 Torx drive	25 Pc/Pac.
3.5-3.8	054134	Backrest bracket frame SD 30-52 used with fixed back	
3.6	000104034-ET	Screw M 8 x 40 DIN 799	10 Pc/Pac.
3.7-3.8	000130107-ET	Washer A 6,4 DIN 125	25 Pc/Pac.
3.8	000128007-ET	Hex nut M 6 DIN 985	25 Pc/Pac.
4.9	054465-ET	Counter screw	6 pc./pack
-	000412.6307-ET	Label "Tie down point", white	4 pcs/pack
-	000412.6309-ET	Label "Tie down point", black	4 pcs/pack

Frame protection



Pos	Item number	Description	Comment
1.1	051186	Frame protection	

Backrest, fixed (90°)

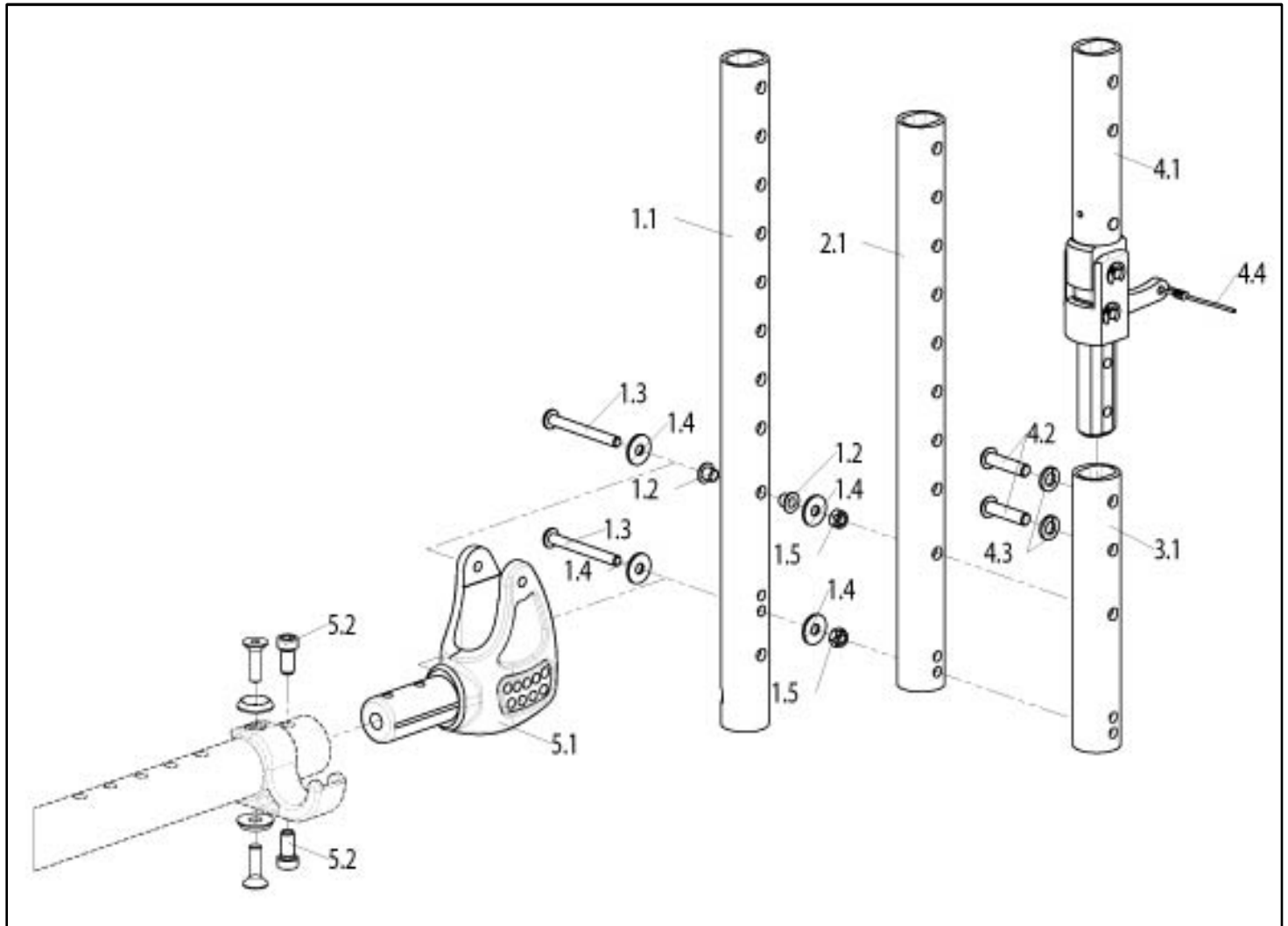


Pos	Item number	Description	Comment
1.1 + 3.1-3.5	05303101	Back tubes, backrest fixed (90°), cpl.	pair
2.1 + 3.1-3.5	05303102	Back tubes, backrest fixed (90°), fold-down, cpl.	pair
3.1-3.5	05303103	Bracket, backrest fixed (90°), with accessory parts	RH & LH usable
3.2	054465-ET	Counter screw	6 pcs./pack
3.3	000104203	Part	



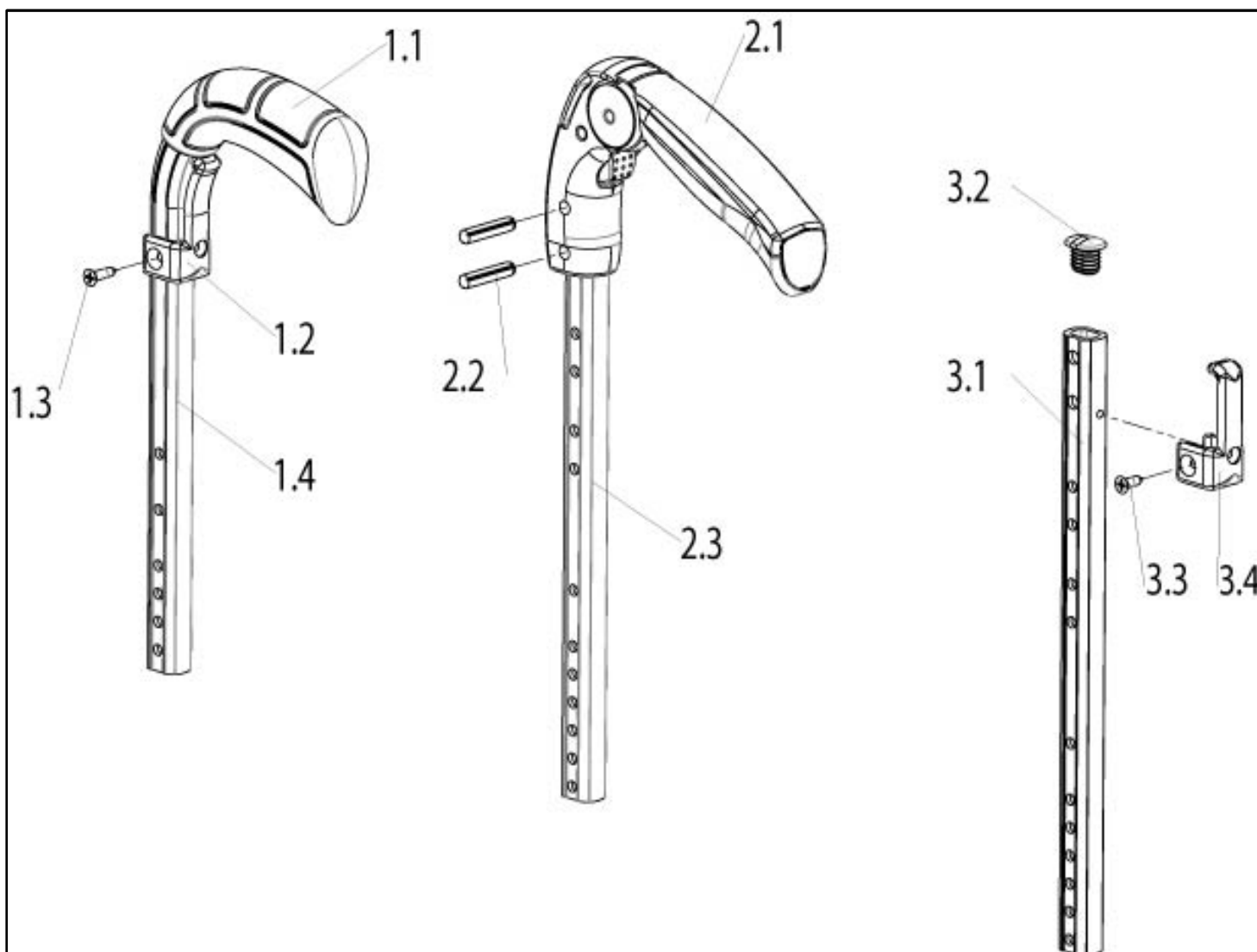
Pos	Item number	Description	Comment
3.4	000130107-ET	Washer A 6,4 DIN125	25 pcs./pack
3.5	000128007-ET	Hex nut - DIN 985 - M6	25 pcs./pack
4.1	76803014	Mechanish for half folding back, cpl.	Each
4.2 - 4.3	76803503	Assambling kit for fold mechanism	2 pcs./pack
4.2	066900-005-ET	Button head cap screw M6 x 25 - ISO 7380	25 pcs./pack
4.3	000133013-ET	Lockwasher	25 pcs./pack
4.4	000067020-ET	Cord, black	2m
4.5	058900-002-ET	A 6.4 washer DIN 125	pack of 25

**Backrest, angle-adjustable**



Pos	Item number	Description	Comment
1.1 - 1.5	76803101-100	Backrest tube standard, cpl.	pair
1.4	065483-ET	Washer A5,3 DIN 125	10 pcs./pack
1.5	066909-001-ET	Hex nut M 5 DIN 985	25 pcs./pack
2.1 + 1.2-1.5	05303104	Back tubes, angle adj. backrest, cpl.	pair
3.1 + 1.2-1.5	05303105	Back tubes, angle adj. backrest, fold-down, cpl.	pair
4.1	76803014	Mechanism for half folding back, cpl.	Each
4.2 - 4.3	76803503	Assambling kit for fold mechanism	2 pcs./pack
4.2	066900-005-ET	Button head cap screw M6 x 25 - ISO 7380	25 pcs./pack
4.3	000133013-ET	Lockwasher	25 pcs./pack
4.4	000067020-ET	Cord, black	2m
5.1 - 5.2	05303106	Bracket, angle adj. backrest, with accessory parts	
5.2	054465-ET	Counter screw	6 pcs./pack

Pushhandles

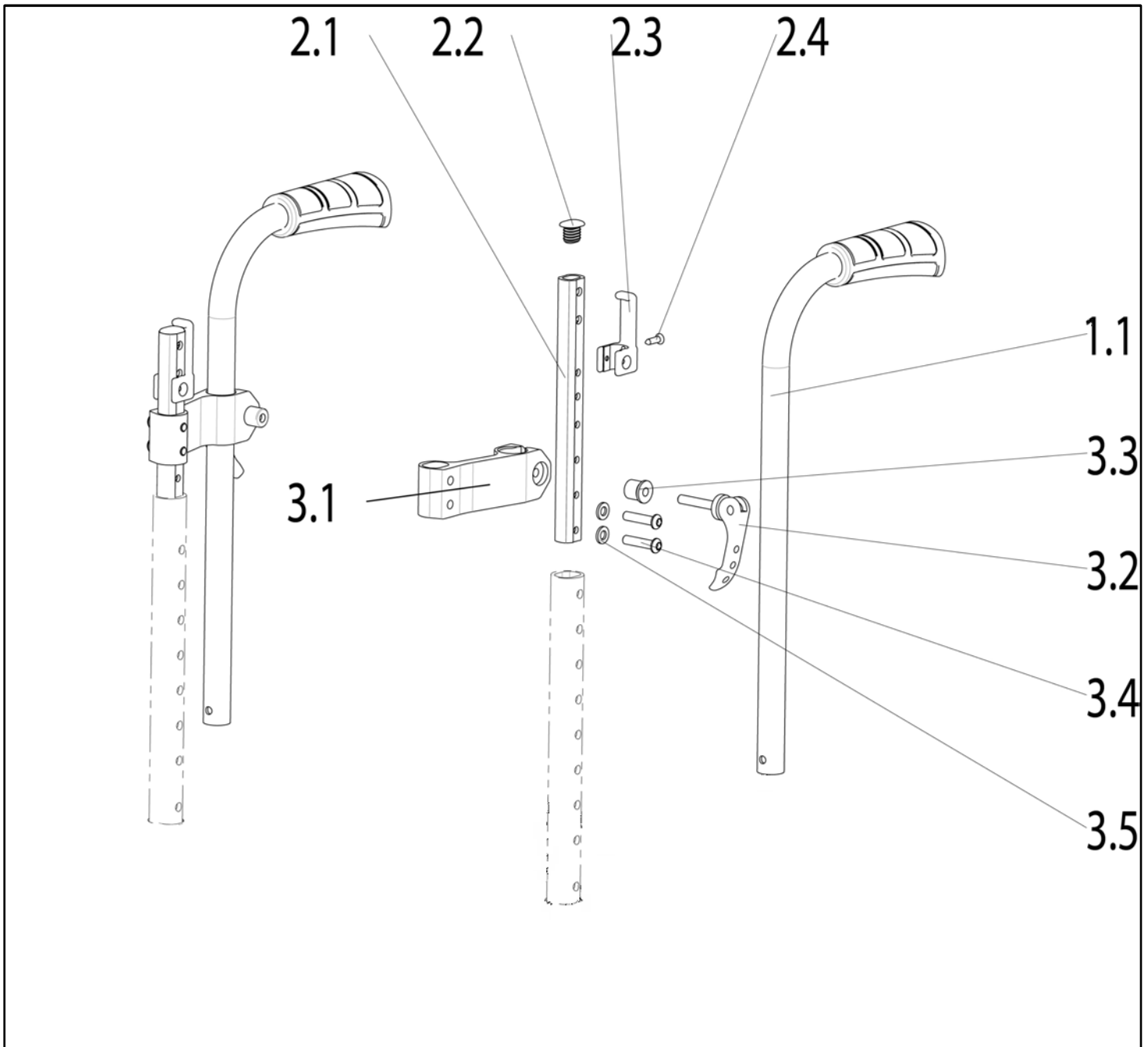


Pos	Item number	Description	Comment
1.1 - 1.4	066867-001-ET	Backrest tube, standard push handle, BH: 25 - 30 cm	2 pcs./pack
1.1 - 1.4	066867-002-ET	Backrest tube, standard push handle, BH: 30 - 40 cm	2 pcs./pack
1.1 - 1.5	066867-003-ET	Backrest tube, standard push handle, BH: 40 - 45 cm	2 pcs./pack
1.1	71104052-ET	Grip for back tube (incl. glue)	10 pcs./pack
2.1 - 2.3	066868-002	Backrest tube with fold down push handle, BH: 30 - 40 cm	left/right useable
2.1 - 2.3	066868-003	Backrest tube with fold down push handle, BH: 40 - 45 cm	left/right useable
2.2	000154208-ET	Cylindrical grooved pin 6 x 28 DIN 1473	10 pcs./pack
2.1	051417	Push handle, fold down	left/right useable
3.1 - 3.4	051447-001-ET	Backrest tube w/o push handle BH: 25 - 30 cm	2 pcs./pack
3.1 - 3.4	066400-001-ET	Backrest tube w/o push handle BH: 30 - 40 cm	2 pcs./pack
3.1 - 3.4	066400-002-ET	Backrest tube w/o push handle BH: 40 - 45 cm	2 pcs./pack

## Pushhandles

Pos	Item number	Description	Comment
1.2 - 1.3	760949901	Mounting accessories for back upholstery adjustable (bent clamp) cpl.	Pair
1.2 - 1.3	760949902	Mounting accessories for back upholstery adjustable straight clamp) cpl.	Pair

Pushhandles, standard - height adjustable

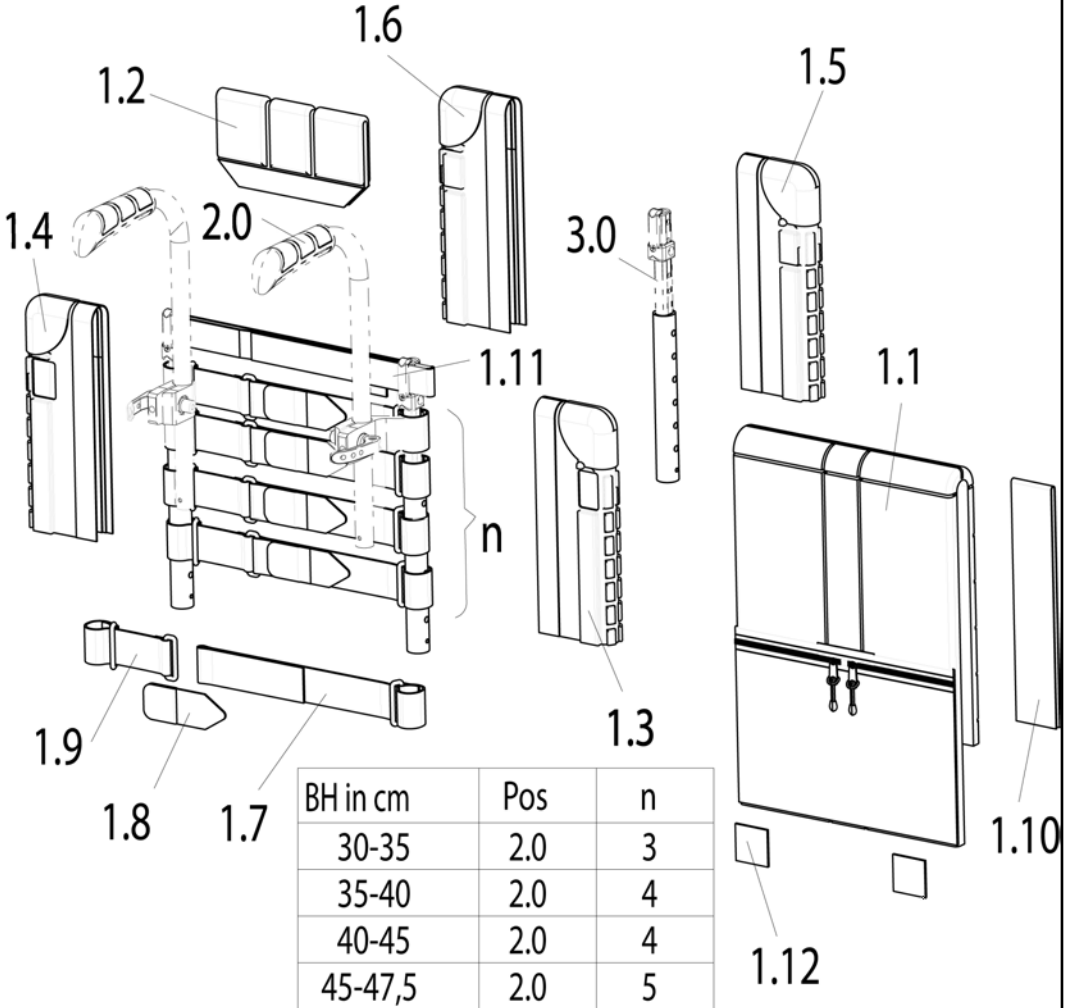


Pos	Item number	Description	Comment
1.1	000841265-ET	Height-adjustable push handle, BH 30 - 37.5 cm, black anodized	2 pcs./pack
1.1	000841266-ET	Height-adjustable push handle, BH 40 - 50 cm, black anodized	2 pcs./pack
2.1 - 2.4	066400-001-ET	Backrest tube w/o push handle BH: 30 - 40 cm	2 pcs./pack
2.1 - 2.4	066400-002-ET	Backrest tube w/o push handle BH: 40 - 45 cm	2 pcs./pack
3.1 - 3.5	76803024-002	Push handle holder with quick tensioner for Jay-backrest and foldable stabilizer bar, cpl.	left/right useable
3.2 - 3.5 + 4.1	76803024-001	Push handle holder with quick tensioner for standard and angle adjustable backrest, cpl.	left/right useable

## EXO Backrest upholstery height adj or without pushhandles

### EXO Backrest upholstery height adj or without pushhandles

BH in cm	Pos	n
25	3.0	3
27,5	3.0	3
30	3.0	4
32,5	3.0	4
35	3.0	5
37,5	3.0	5
40	3.0	5
42,5	3.0	6
45	3.0	6
47,5	3.0	6
25 - 30	3.0	3
30 - 35	3.0	4
35 - 40	3.0	5
40 - 45	3.0	5
45 - 47,5	3.0	6



BH in cm	Pos	n
30-35	2.0	3
35-40	2.0	4
40-45	2.0	4
45-47,5	2.0	5

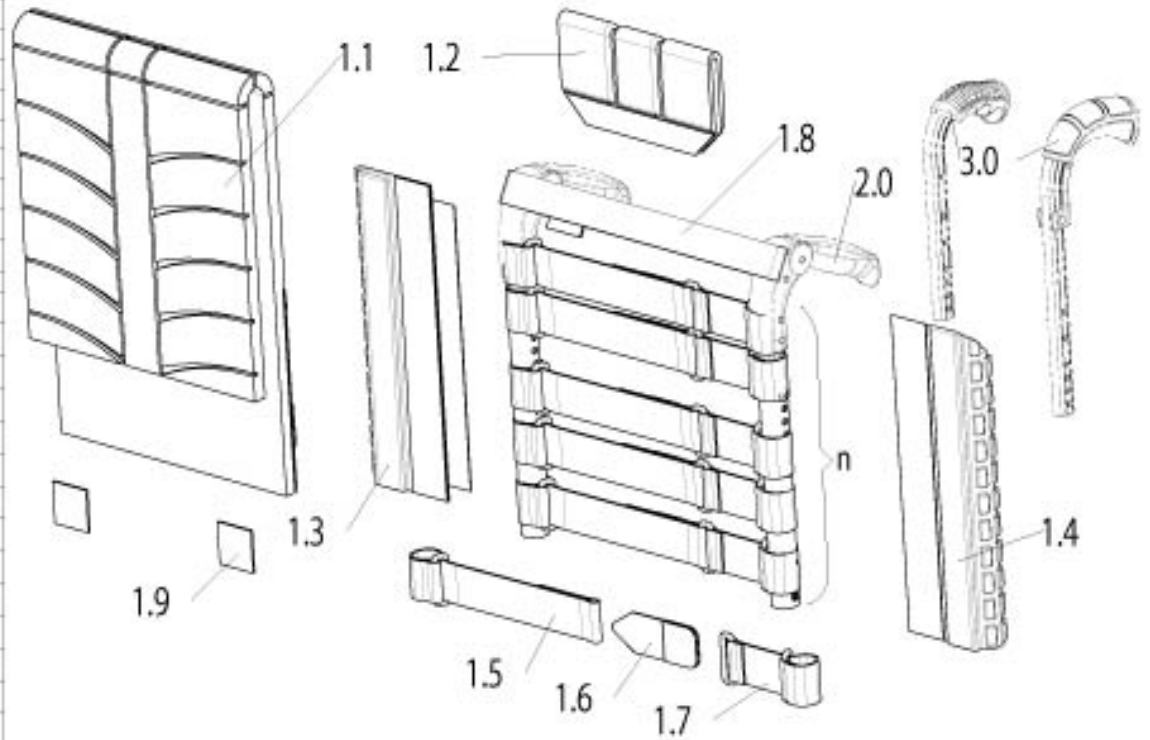
Pos	Item number	Description	Comment
1.1	06804022-001	EXO Backrest sling, synthetic fibre, padded, adjustable, 1 accessory bag, black, SW 20 - 42 with BH 20 - 40	Please order back belts, side and backrest pads separately
1.1	06804022-002	EXO Backrest sling, synthetic fibre, padded, adjustable, 1 accessory bag, black, SW 20 - 42 with BH 42,5 - 47,5 or SW 44 - 60 with BH 20 - 47,5	Please order back belts, side and backrest pads separately
1.1	06804023-001	EXO PRO Backrest sling, adjustable, breathable, 1 accessory bag, black, SW 20 - 42 with BH 20 - 40	Please order back belts, side and backrest pads separately
1.1	06804023-002	EXO PRO Backrest sling, adjustable, breathable, 1 accessory bag, black, SW 20 - 42 with BH 42,5 - 47,5 or SW 44 - 60 with BH 20 - 47,5	Please order back belts, side and backrest pads separately
1.2	06804070-000	Back rest pad	

**EXO Backrest upholstery height adj or without pushhandles**

<b>Pos</b>	<b>Item number</b>	<b>Description</b>	<b>Comment</b>
1.3- 1.4	06804075- 020	Side pad - used with height adjustable pushhandles	pair
1.5- 1.6	06804075- 010	Side pad - used without pushhandles	2 pcs.
1.7-1.9	06804031-001	Back belt cpl. SW22-42 (quantity needed see alongside chart)	1 pc
1.7-1.9	06804031-002	Back belt cpl. SW44-48 (quantity needed see alongside chart)	1 pc
1.7-1.9	06804031-003	Back belt cpl. SW50-60 (quantity needed see alongside chart)	1 pc
1.10	000944.0400ET	Hooktape 50mm wide, used with lightweight backrest without pushhandles	for 2 sides
1.11	066877	Top backrest belt	
1.12	000069323-ET	Hook strap	2 pcs.
-	000849042	Shopping net	
1.13	06804110	Hook strap for mounting new upholstery on existing back belts	2m

**EXO Backrest upholstery short, long and fold down pushhandles**

BH in cm	Pos	n
25		
27,5		
30		
32,5	2.0	4
35	2.0	5
37,5	2.0	5
40	2.0	6
42,5	2.0	6
45	2.0	7
47,5	2.0	7
25-30	2.0	4
30-35	2.0	5
35-40	2.0	5
40-45	2.0	6
45-47,5	2.0	7
25	3.0	4
27,5	3.0	4
30	3.0	5
32,5	3.0	5
35	3.0	5
37,5	3.0	6
40	3.0	6
42,5	3.0	7
45	3.0	7
47,5	3.0	7
25-30	3.0	4
30-35	3.0	5
35-40	3.0	5
40-45	3.0	6
45-47,5	3.0	7



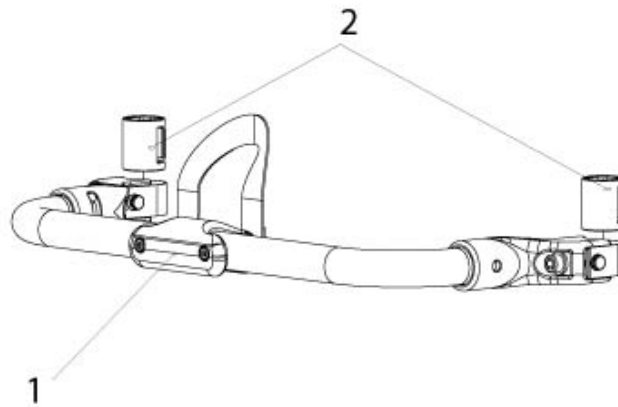
Pos	Item number	Description	Comment
1.1	06804022-001	EXO Backrest sling, synthetic fibre, padded, adjustable, 1 accessory bag, black, SW 20 - 42 with BH 20 - 40	Please order back belts, side and backrest pads separately
1.1	06804022-002	EXO Backrest sling, synthetic fibre, padded, adjustable, 1 accessory bag, black, SW 20 - 42 with BH 42,5 - 47,5 or SW 44 - 60 with BH 20 - 47,5	Please order back belts, side and backrest pads separately
1.1	06804023-001	EXO PRO Backrest sling, adjustable, breathable, 1 accessory bag, black, SW 20 - 42 with BH 20 - 40	Please order back belts, side and backrest pads separately



**EXO Backrest upholstery short, long and fold down pushhandles**

<b>Pos</b>	<b>Item number</b>	<b>Description</b>	<b>Comment</b>
1.1	06804023-002	EXO PRO Backrest sling, adjustable, breathable, 1 accessory bag, black, SW 20 - 42 with BH 42,5 - 47,5 or SW 44 - 60 with BH 20 - 47,5	Please order back belts, side and backrest pads separately
1.2	06804070-000	Back rest pad	
1.3-1.4	06804010-100	Side pad - used with long, short and fold down pushhandles	2 pcs.
1.5-1.7	06804031-001	Back belt cpl. SW22-42 (quantity needed see alongside chart)	1 pc
1.5-1.7	06804031-002	Back belt cpl. SW44-48 (quantity needed see alongside chart)	1 pc
1.5-1.7	06804031-003	Back belt cpl. SW50-60 (quantity needed see alongside chart)	1 pc
1.8	066877	Top backrest belt	
1.9	000069323-ET	Hook strap	2 pcs.
-	000849042	Shopping net	
1.10	06804110	Hook strap for mounting new upholstery on existing back belts	2m

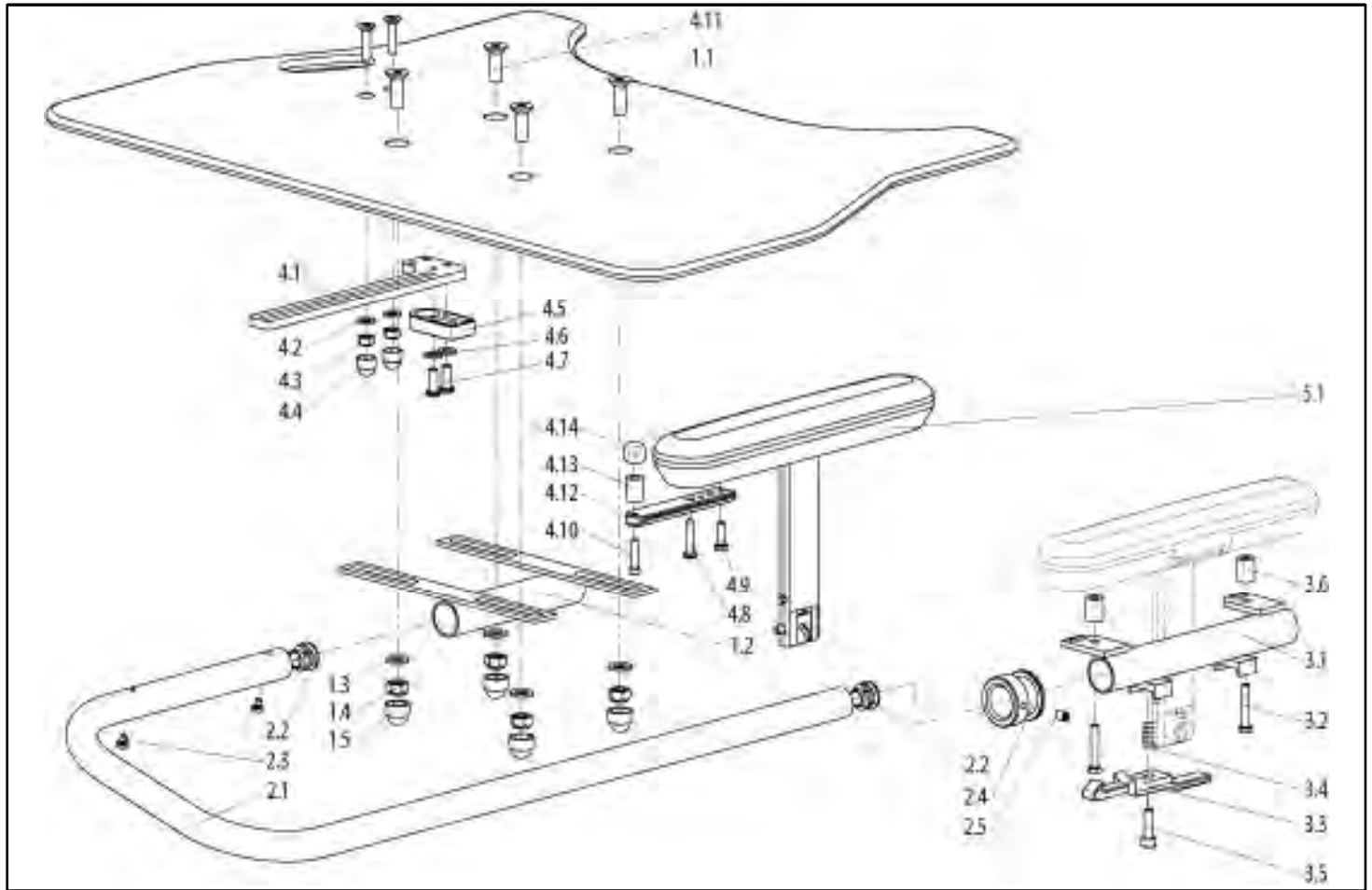
Stabilising bar autofolding



Pos	Item number	Description	Comment
1	065720-001	Stabilising bar autofolding SW 36	
1	065720-002	Stabilising bar autofolding SW 38	
1	065720-003	Stabilising bar autofolding SW 40	
1	065720-004	Stabilising bar autofolding SW 42	
1	065720-005	Stabilising bar autofolding SW 44	
1	065720-007	Stabilising bar autofolding SW 46	
1	065720-008	Stabilising bar autofolding SW 48	
1	065720-009	Stabilising bar autofolding SW 50	

Pos	Item number	Description	Comment
2	065725	Mounting accessories used with autofolding stabilizer bar	2 pcs/pack, Note: mounting acesories must be additionally used with Easy 200/300, Easy Life, Easy Life i (angle adjustable back) and Xenon SA

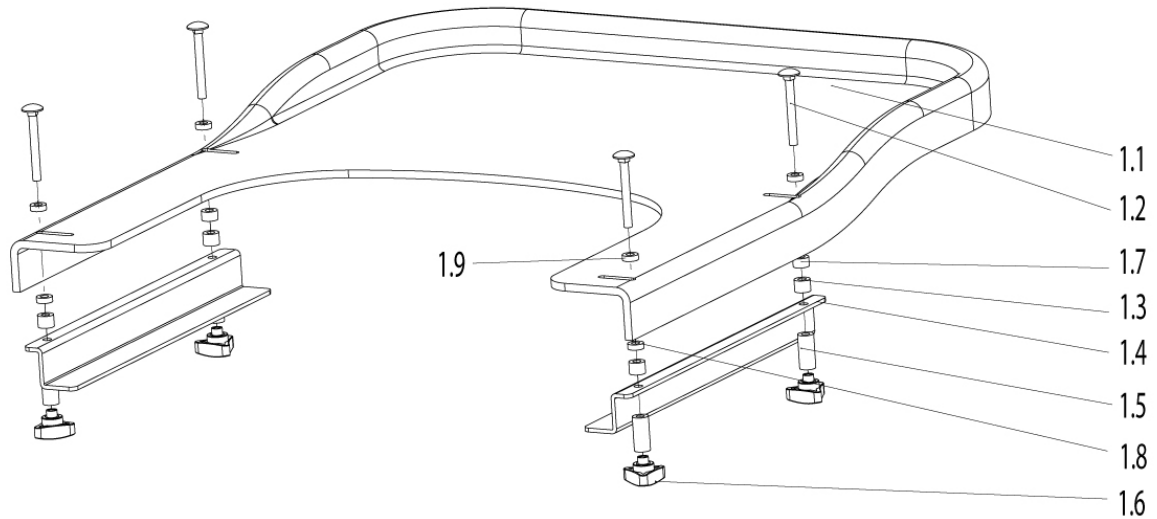
TherapyTray, swingaway



Pos	Item number	Description	Comment
1.1-4.14	054427-001	Therapy table, swingaway complete. For Desk-III - sideguard, without armrests, swingaway to the right	right, Note: use only with desk sideguard and long/height adj. arm pad or std sideguard, aluminium
1.1-4.14	054427-002	Therapy table, swingaway complete. For Desk-III - sideguard, without armrests, swingaway to the left	left, Note: use only with desk sideguard and long/height adj. arm pad or std sideguard, aluminium
1.2-4.14	054427-003	Therapy table, swingaway for Desk-III sideguard, without armrests, without table top, swingaway to the right	right, Note: use only with desk sideguard and long/height adj. arm pad or std sideguard, aluminium

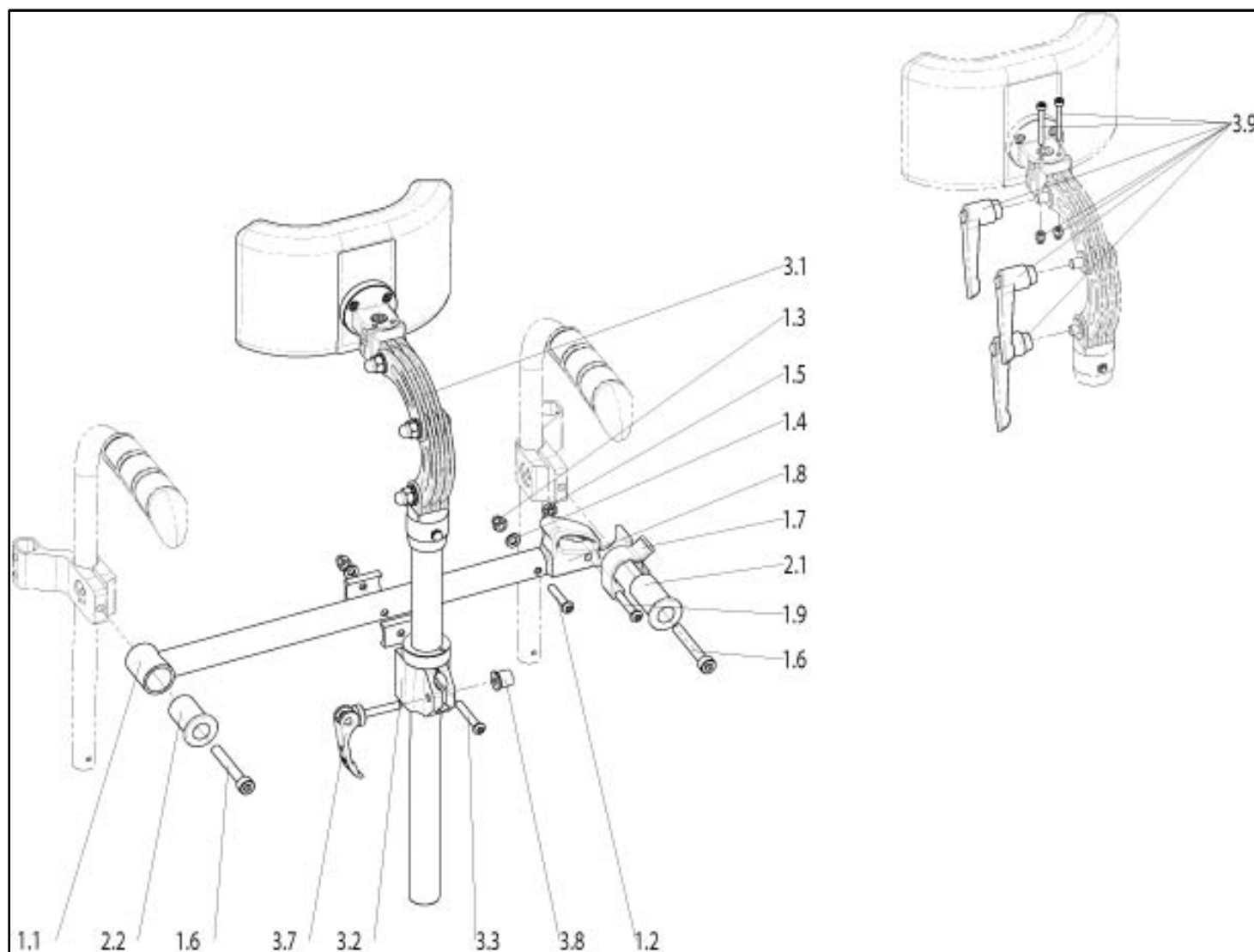
Pos	Item number	Description	Comment
1.2-4.14	054427-004	Therapy table, swingaway for Desk-III sideguard, without armrests, without table top, swingaway to the left	left, Note: use only with desk sideguard and long/height adj. arm pad or std sideguard, aluminium
1.1-2.5	760848006	Table top for standard therapy table, swingaway, complete. With swingaway mechanism (without plug-in bracket)	
1.3	000130108-ET	A 8.4 washer DIN 125	Pack of 25
1.4	000128018-ET	Hex nut M 8 DIN 985	Pack of 25
1.5	000282062-ET	Hex protective cap for M 8 plastic, black	Pack of 25
1.6	000104033-ET	Countersunk head screw M 8 x 25 DIN 7991	Pack of 10
2.1	760847104	Swing bar for SW: 34 to 40	
2.1	410847012	Swing bar for SW: 42 to 50	
2.2	000282038-ET	Laminated cap for swing bar	25 pcs./pack
2.3	000102065-ET	Oval-head screw M 4 x 6 DIN 7985	Pack of 50
3.1-3.6	760748005	Plug-in bracket for therapy table left, complete. Swingaway to the left	left
3.1-3.6	760848005	Plug-in bracket for therapy table right, complete. Swingaway to the right	right
3.2	000100045-ET	Hex screw M 5 x 30 DIN 933	Pack of 10
3.3	750842099.01	Interlock lever, curved	
3.4	000242030-ET	Compression spring	10 pcs./pack
3.5	000102199-ET	Cheese head screw M 6 x 20 DIN 84	Pack of 25
4.1-4.14	760848007	Fitting on the free side for therapy table, complete	
4.2/4.6	000130107-ET	A 6.4 washer DIN 125	Pack of 25
4.3	000128007-ET	Hex nut M 6 DIN 985	Pack of 25
4.4	000282063-ET	Hex protective cap for M 6 plastic, black	Pack of 10
4.7	000102309.01-ET	Oval-head screw M 6 x 16 with Torx drive	Pack of 25
4.8	000100028-ET	Hex screw M 5 x 16/8.8 DIN 558	Pack of 25
4.9	000100027-ET	6kt-Schraube M 5 x 16 DIN 558	25 St./Pkg.
4.10	000102153-ET	Hex screw M4 x 30, DIN 912	25 pc./pack
4.11	000104053-ET	Countersunk head screw M 6 x 35 DIN 7991	Pack of 25
4.13	000281016	Spacer sleeve, black - 12 / 16,2 / 16	
4.14	000281018	Ball-shaped head DIN 319 - KU-16-M4-E	
4.8-5.1	054428-010	Armrest long, hight adjustable, for swingaway therapy table	RH
4.8-5.1	054428-011	Armrest long, hight adjustable, for swingaway therapy table	LH

Therapy Tray slide on



Pos	Item number	Description	Comment
1.1-1.9	760848050.01	Therapy table for SW: 38 - 40 complete	
1.1-1.9	760848050.02	Therapy table for SW: 42 - 44 complete	
1.1-1.9	760848050.03	Therapy table for SW: 46 - 48 complete	
1.2-1.9	069934	Bracket incl. mounting accessories used with slide-on therapy table	

## Stabilising bar and headrest



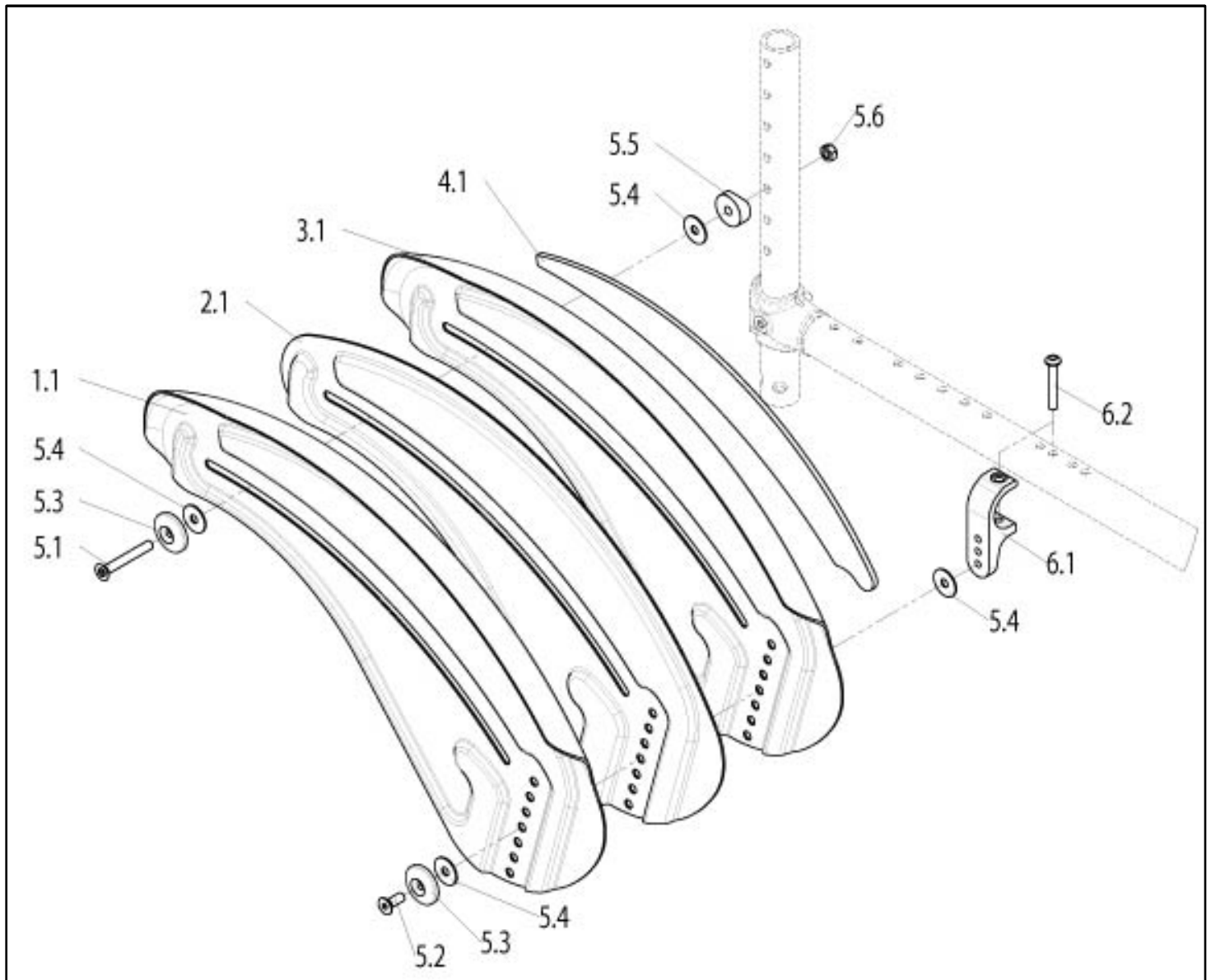
Pos	Item number	Description	Comment
1.1- 1.8, 2.1- 2.3	054400-000	Stabilizer bar cpl. all variants	
1.2	000102312.01-ET	Lens head screw M 6 x 32 with Torx-Drive	25 pcs/pack
1.3	000128004-ET	Hex cap nut M 6 DIN 986	25 pcs/pack
1.4	000130007-ET	Washer A 6,4 - DIN 125	25 pcs/pack
1.5	000128007-ET	Hex nut M6 DIN 985	25 pcs/pack
1.6	000102226-ET	Socket cap screw M 8 x 40 DIN 912 used with SW 38	10 pcs/pack
1.7	300844024	Locking bar	
1.8	054407	Lock used with stabilizer bar	
2.1	054404-002	Receiver, long	
2.2	054404-001	Receiver, short	
3.1	84303012-001	Head rest padded - medium - (20 x 11 cm)	
3.1	84303012-002	Head rest padded - large - (23 x 11 cm)	

## Stabilising bar and headrest

Pos	Item number	Description	Comment
3.1- 3.8	054413	Headrest, complete	
3.9	84303015	Mounting accessories, cpl.	
-	84303002-ET	FRICITION WASHER USED WITH HEAD REST HINGE	10 pcs./pack, Note: use only with wheelchairs with headrest manufactured until week 35/2015
3.2-3.8	000841511	Head rest bracket, inch (used untill week 15/2007)	
3.2-3.8	000841511.01	Head rest bracket, metric	
3.3	000102305.01-ET	Button head screw M 6 x 40 Torx drive	25 pcs/pack
3.4	760850004-ET	Saddle	4 pcs/pack
3.5	000130007-ET	Washer A 6,4 - DIN 125	25 pcs/pack
3.6	000128004-ET	Hex cap nut M 6 or similar DIN 986	25 pcs/pack
3.7-3.8	000233027	Rapid tension lever	



## Sideguard, aluminium and carbon

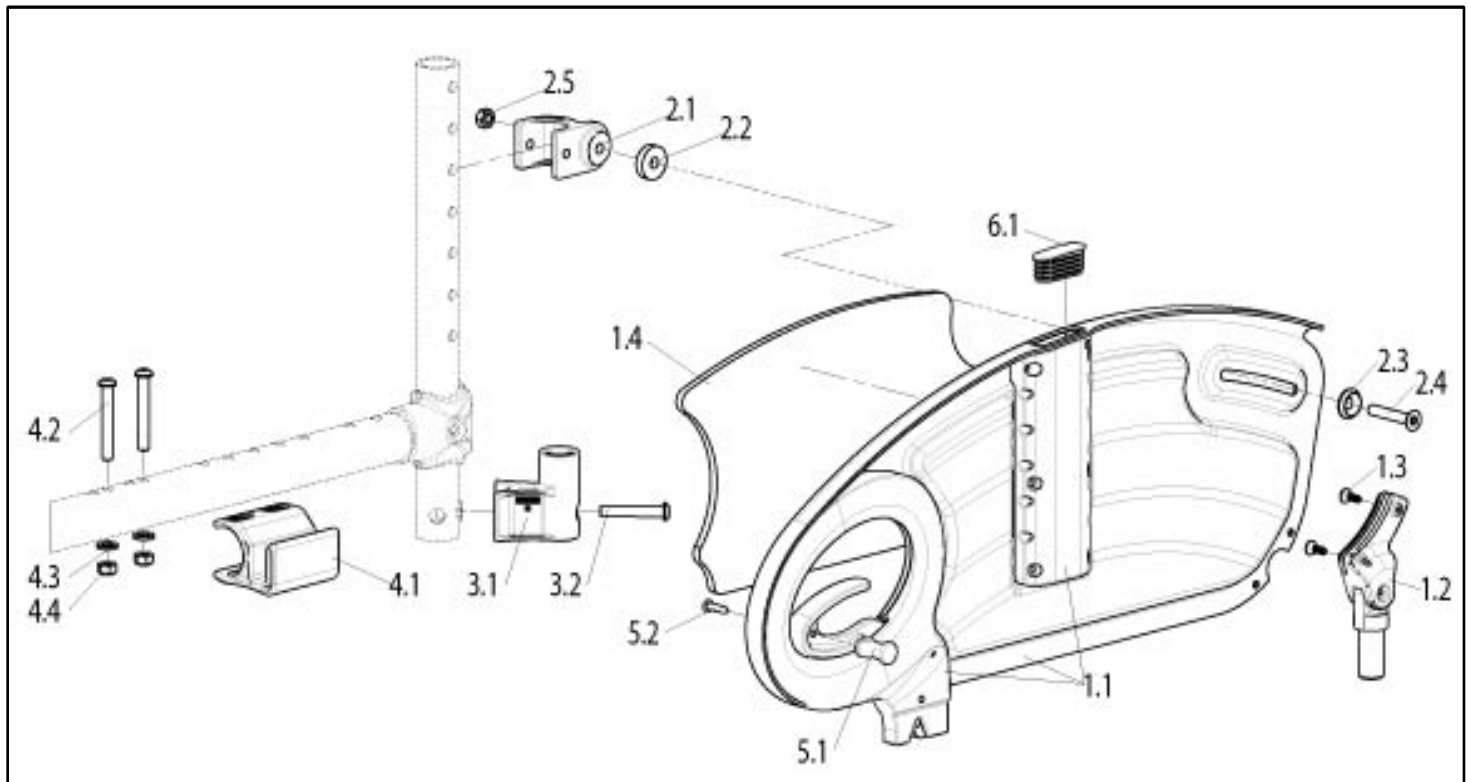


Pos	Item number	Description	Comment
1.1 + 4.1-5.6	05304100-000	Fender sideguard aluminium with cold protection and mounting parts	pair
1.1 + 4.1-5.6	05304100-001	Fender sideguard aluminium with cold protection and mounting parts	left
1.1 + 4.1-5.6	05304100-002	Fender sideguard aluminium with cold protection and mounting parts	right
2.1 + 4.1-5.6	05304101-000	Sideguard aluminium with cold protection and mounting parts	pair
2.1 + 4.1-5.6	05304101-001	Sideguard aluminium with cold protection and mounting parts	left
2.1 + 4.1-5.6	05304101-002	Sideguard aluminium with cold protection and mounting parts	right
3.1 + 4.1-5.6	05304102-000	Fender sideguard carbon fibre with cold protection and mounting parts	pair

## Sideguard, aluminium and carbon

Pos	Item number	Description	Comment
3.1 + 4.1-5.6	05304102-001	Fender sideguard carbon fibre with cold protection and mounting parts	left
3.1 + 4.1-5.6	05304102-002	Fender sideguard carbon fibre with cold protection and mounting parts	right
4.1	066435-001	cold protection	right
4.1	066435-002	cold protection	left
5.1-5.6	05304103	Mounting bracket for sideguard	left/right useable
5.1	000104017-ET	Countersunk head screw M 6 x 55 DIN 7991	10 pcs./pack
5.2	012577-ET	Counter sunk screw M 6 x 18 - DIN 7991	25 pcs./pack
5.3	066458-ET	Rosette for sideguard	10 pcs./pack
5.4	051469-ET	PTFE Washer D=20	10 pcs./pack
5.5	000831232-ET	Half shell for cross-brace - black POM	10 pcs./pack
5.6	058903-ET	Hex nut M 6 DIN 985	25 pcs./pack
6.1 + 6.2	05304003-ET	Sideguard Fixation cpl.	left/right useable

## Desk side guard, backrest, fixed (90°)

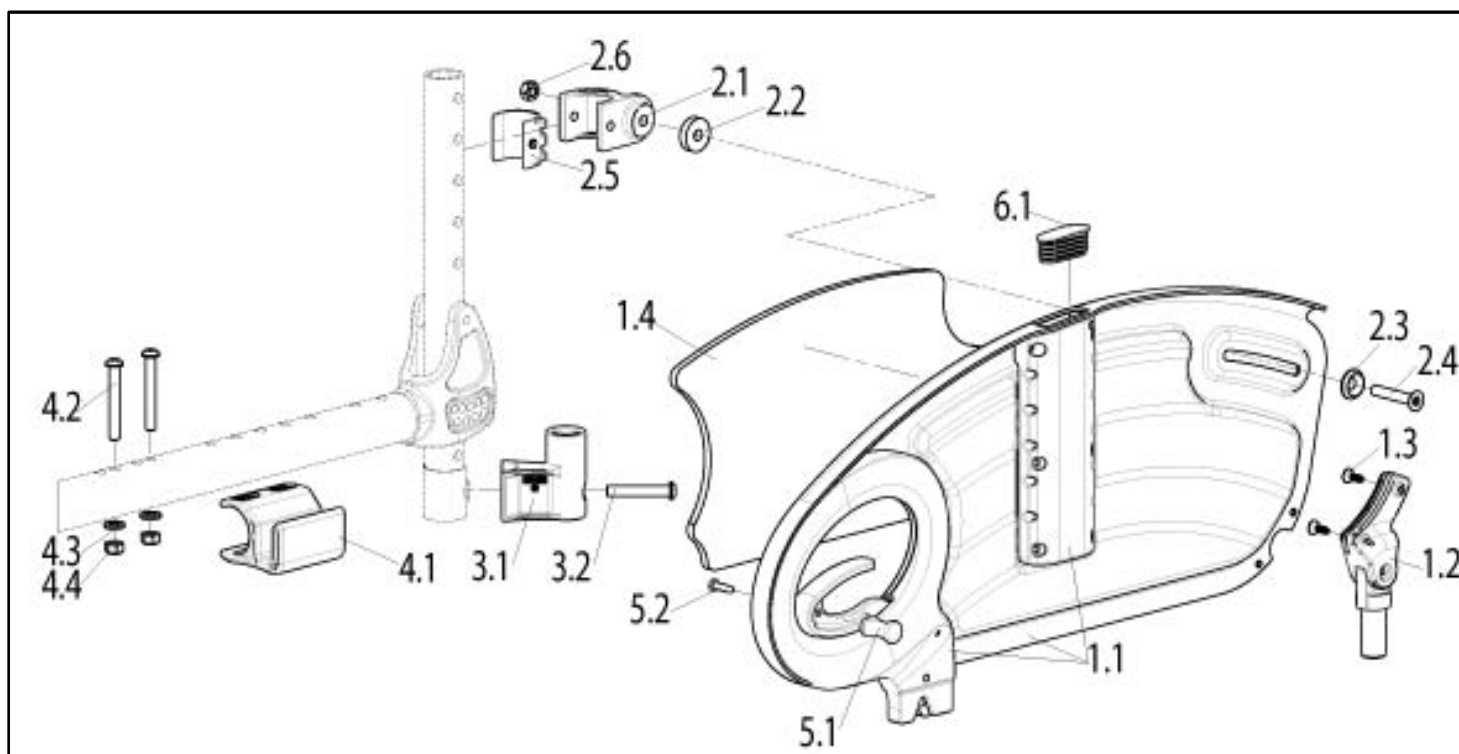


Pos	Item number	Description	Comment
1.1 - 4.4	05304200-000	Desk sideguard cpl.,backrest standard 90deg	pair
1.1 - 4.4	05304200-001	Desk sideguard cpl.,backrest standard 90deg	left
1.1 - 4.4	05304200-002	Desk sideguard cpl.,backrest standard 90deg	right
1.1-1.3	71104043-001	Desk sideguard plate with hinge (w/o cold protection)	right
1.1-1.3	71104043-002	Desk sideguard plate with hinge (w/o cold protection)	left
1.2-1.3	71104035-001	Rear hinge cpl.	left
1.2-1.3	71104035-002	Rear hinge cpl.	right
1.3	000104139-ET	Countersunk head screw for plastic - D4x16 - A2	25 pcs./pack
1.4	71104032-001	Cold protection for desk sideguard	left
1.4	71104032-002	Cold protection for desk sideguard	right
2.1-2.5	71104036-001	Sideguard fastener rear (for frame diameter D25)	1 pc
2.2	611861005-ET	Washer 23 x 6.2 x 4	6 pcs./pack
2.3	000138017-ET	Countersunk washer for M 6	25 pcs./pack
2.4	000104073-ET	Countersunk head screw DIN 7991 - M6 x 35 - A2-70	25 pcs./pack
2.5	000128007-ET	Hex nut - DIN 985 - M6	25 pcs./pack
3.1-3.2	054493-009	Sideguard holder back cpl.	
3.2	000102317.01-ET	Lense head screw M6x37, Torx	25 pcs./pack
4.1-4.4	054493-008	Sideguard mounting, front, cpl.	
4.4	000130107-ET	Washer A 6,4 DIN125	25 pcs./pack

## Desk side guard, backrest, fixed (90°)

Pos	Item number	Description	Comment
5.1-5.2	054493-010	Tetra - handle bar for Desk-sideguard	
5.2	000102056.01-ET	Button head cap screw M 6 x 45 Torx drive	25 pcs./pack
6.1	054430	Cap for sideguard	
-	000102233-ET	Setscrew M6 x 5 - DIN551 POLY	10 pcs./pack
-	000102223	Set screw M6x5 - Poly	10 pcs./pack

## Desk side guard, backrest, angle adjustable

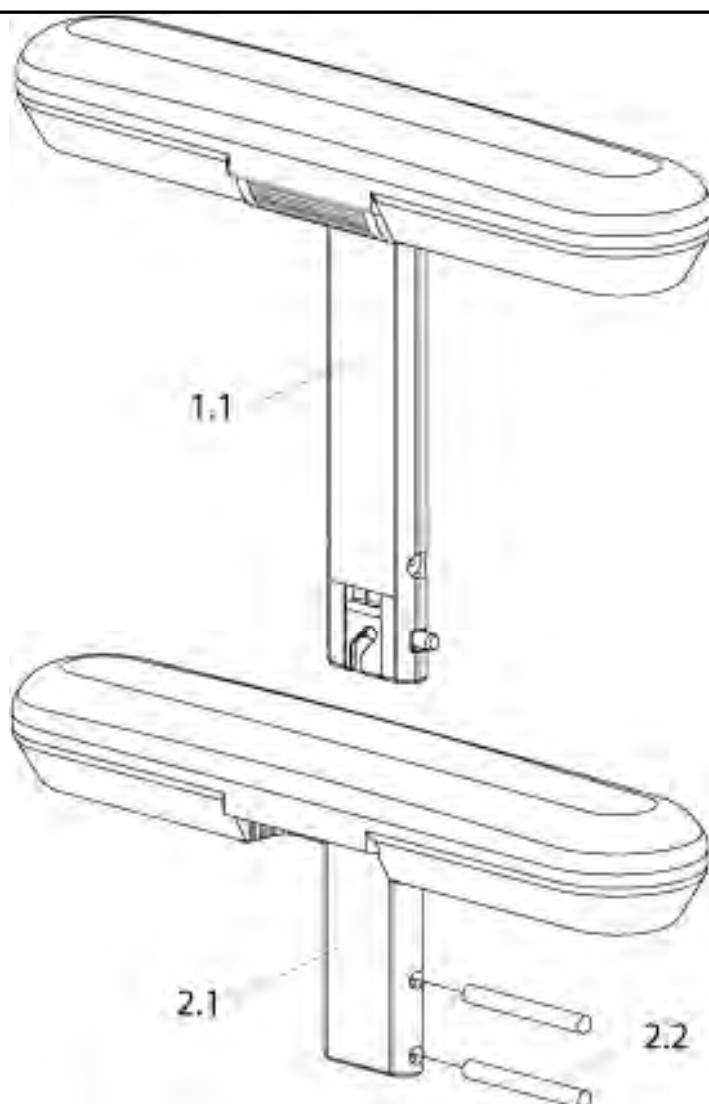


Pos	Item number	Description	Comment
1.1 - 4.4	05304201-000	Desk sideguard cpl.,backrest angle adj.	pair
1.1 - 4.4	05304201-001	Desk sideguard cpl.,backrest angle adj.	left
1.1 - 4.4	05304201-002	Desk sideguard cpl.,backrest angle adj.	right
1.1-1.3	71104043-001	Desk sideguard plate with hinge (w/o cold protection)	right
1.1-1.3	71104043-002	Desk sideguard plate with hinge (w/o cold protection)	left
1.2-1.3	71104035-001	Rear hinge cpl.	left
1.2-1.3	71104035-002	Rear hinge cpl.	right
1.3	000104139-ET	Countersunk head screw for plastic - D4x16 - A2	25 pcs./pack
1.4	71104032-001	Cold protection for desk sideguard	left
1.4	71104032-002	Cold protection for desk sideguard	right
2.1-2.6	05304202	Sideguard fastener rear (for frame diameter D23)	1 pc
2.2	611861005-ET	Washer 23 x 6.2 x 4	6 pcs./pack
2.3	000138017-ET	Countersunk washer for M 6	25 pcs./pack
2.4	000104073-ET	Countersunk head screw DIN 7991 - M6 x 35 - A2-70	25 pcs./pack
2.6	000128007-ET	Hex nut - DIN 985 - M6	25 pcs./pack
3.1-3.2	054493-009	Sideguard holder back cpl.	
3.2	000102317.01-ET	Lense head screw M6x37, Torx	25 pcs./pack
4.1-4.4	054493-008	Sideguard mounting, front, cpl.	
4.4	000130107-ET	Washer A 6,4 DIN125	25 pcs./pack
5.1-5.2	054493-010	Tetra - handle bar for Desk-sideguard	

## Desk side guard, backrest, angle adjustable

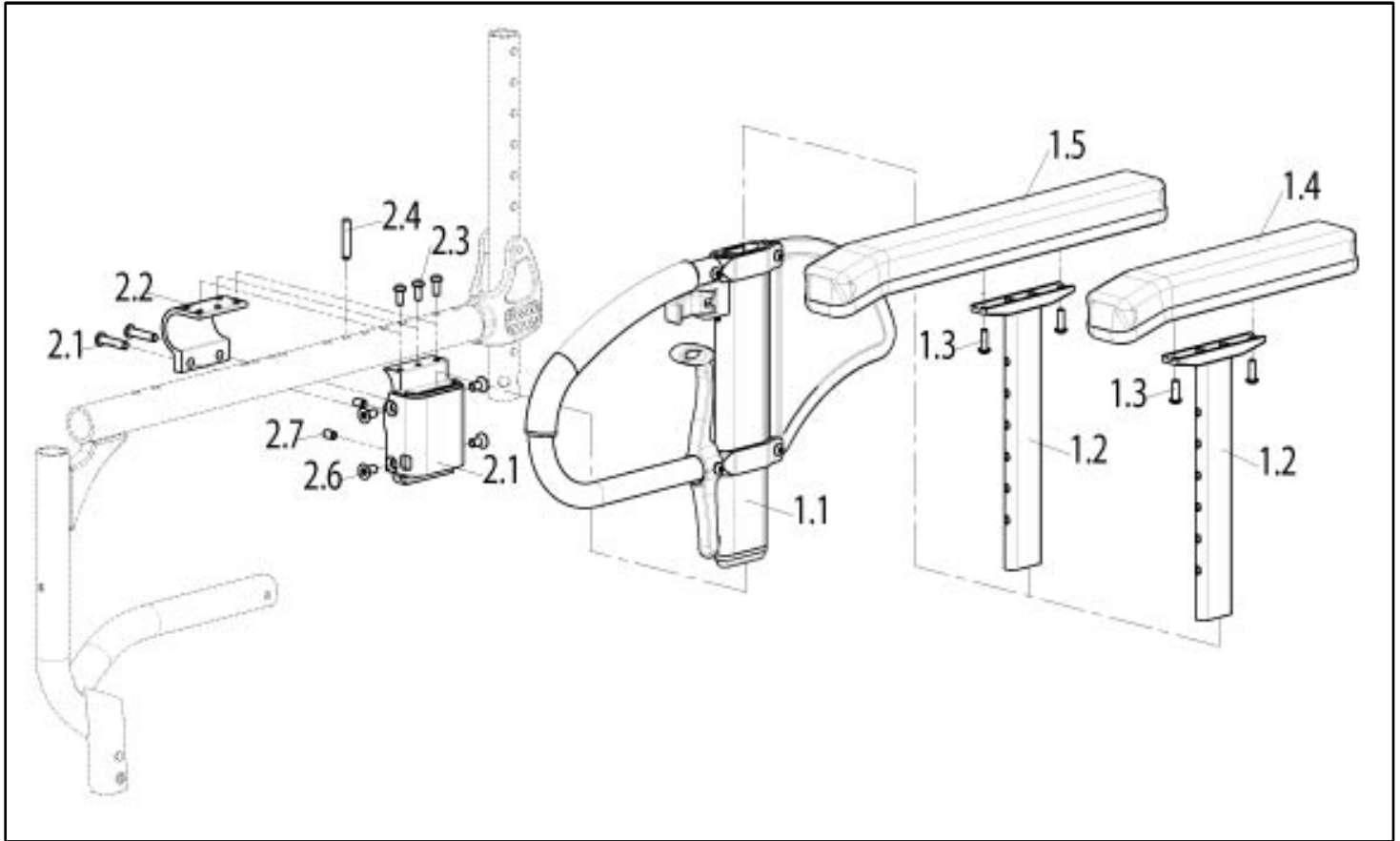
Pos	Item number	Description	Comment
5.2	000102056.01-ET	Button head cap screw M 6 x 45 Torx drive	25 pcs./pack
6.1	054430	Cap for sideguard	
-	000102233-ET	Setscrew M6 x 5 - DIN551 POLY	10 pcs./pack

## Armpad for desk sideguard



Pos	Item number	Description	Comment
1.1	054449-001	Short armpads, height-adjustable, cpl. 250 mm	Pair
1.1	054449	Short armpad, height-adjustable, cpl. 250 mm	can be used right and left
1.1	054449-002	Long armpads, height-adjustable, complete	Pair
1.1	054449-003	Long armpad, height-adjustable, complete	right
1.1	054449-004	Long armpad, height-adjustable, complete	left
2.1-2.2	054428-001	Short armpads, fixed, with pin, cpl. 250 mm	Pair
2.1-2.2	054428-007	Short armpad, fixed, with pin, cpl. 250 mm	can be used right and left
2.1-2.2	054428-002	Long armpads, fixed, with pin, cpl. 300 mm	Pair
2.1-2.2	054428-003	Long armpad, fixed, with pin, cpl. 300 mm	right
2.1-2.2	054428-005	Long armpad, fixed, with pin, cpl. 300 mm	left
2.2	000156014-ET	split pin 5x45	10 Pce(Pg.

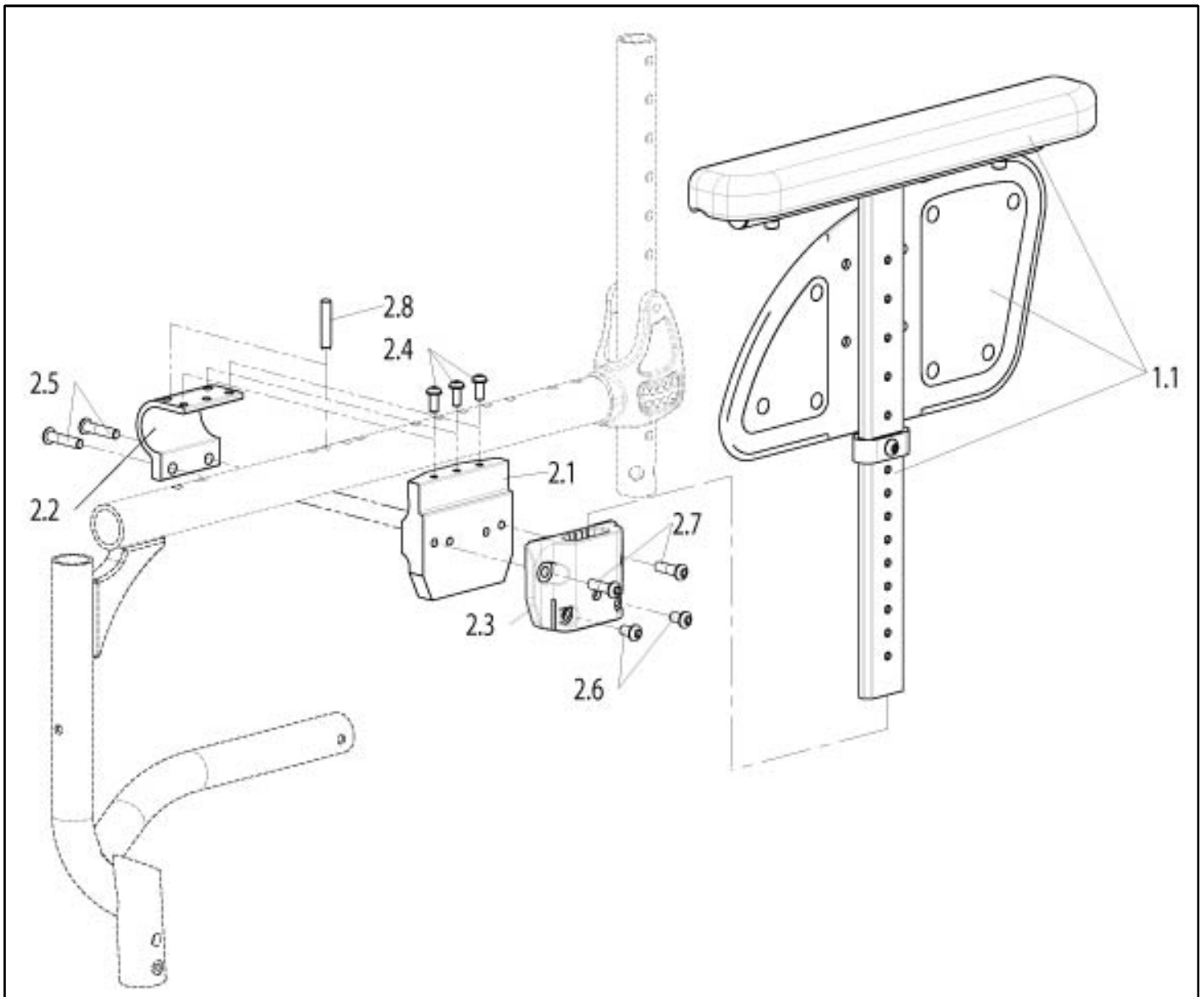
Singel post sideguard, height-adjustable



Pos	Item number	Description	Comment
1.1-1.3 + 1.5	066873-012	Single post side guard, long armpad, left	
1.1-1.3 + 1.5	066873-011	Single post side guard, long armpad, right	
1.1-1.3 + 1.5 + 2.1-2.6	05304204	Single Post Side Guard with mounting brackets cpl., long armpad	pair
1.1-1.4	066873-001	Single post side guard, short armpad, right	
1.1-1.4	066873-002	Single post side guard, short armpad, left	
1.1-1.4 + 2.1- 2.6	05304205	Single post side guard with mounting brackets cpl., short armpad	pair
2.1-2.6	05304206	Receiver single post side guard	left/right useable



## Single post sideguard, depth- and height-adjustable

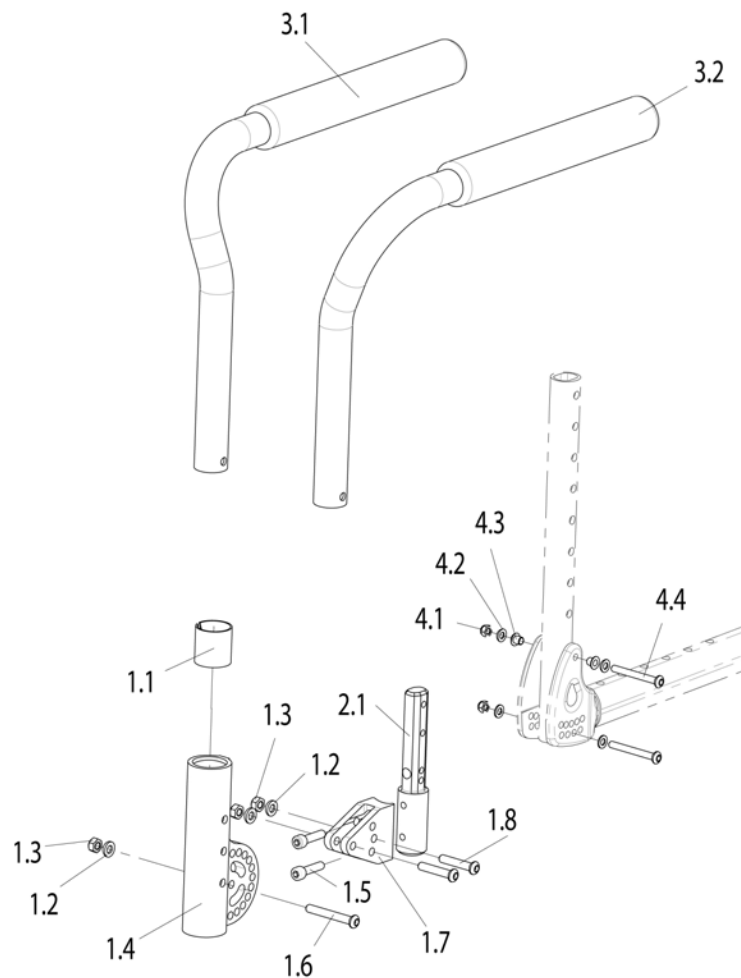


Pos	Item number	Description	Comment
1.1-1.3 + 1.5	066873-012	Single post side guard, long armpad, left	
1.1-1.3 + 1.5	066873-011	Single post side guard, long armpad, right	
1.1-1.3 + 1.5 + 2.1-2.6	05304204	Single Post Side Guard with mounting brackets cpl., long armpad	pair
1.1-1.4	066873-001	Single post side guard, short armpad, right	
1.1-1.4	066873-002	Single post side guard, short armpad, left	
1.1-1.4 + 2.1- 2.6	05304205	Single post side guard with mounting brackets cpl., short armpad	pair

## Single post sideguard, depth- and height-adjustable

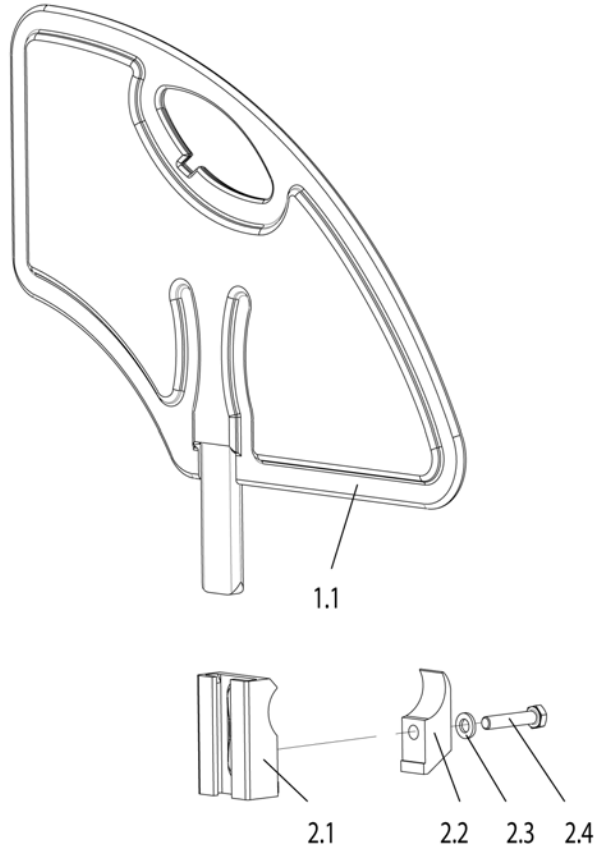
Pos	Item number	Description	Comment
2.1-2.6	05304206	Receiver single post side guard	left/right useable

**Tubular armrest, padded**



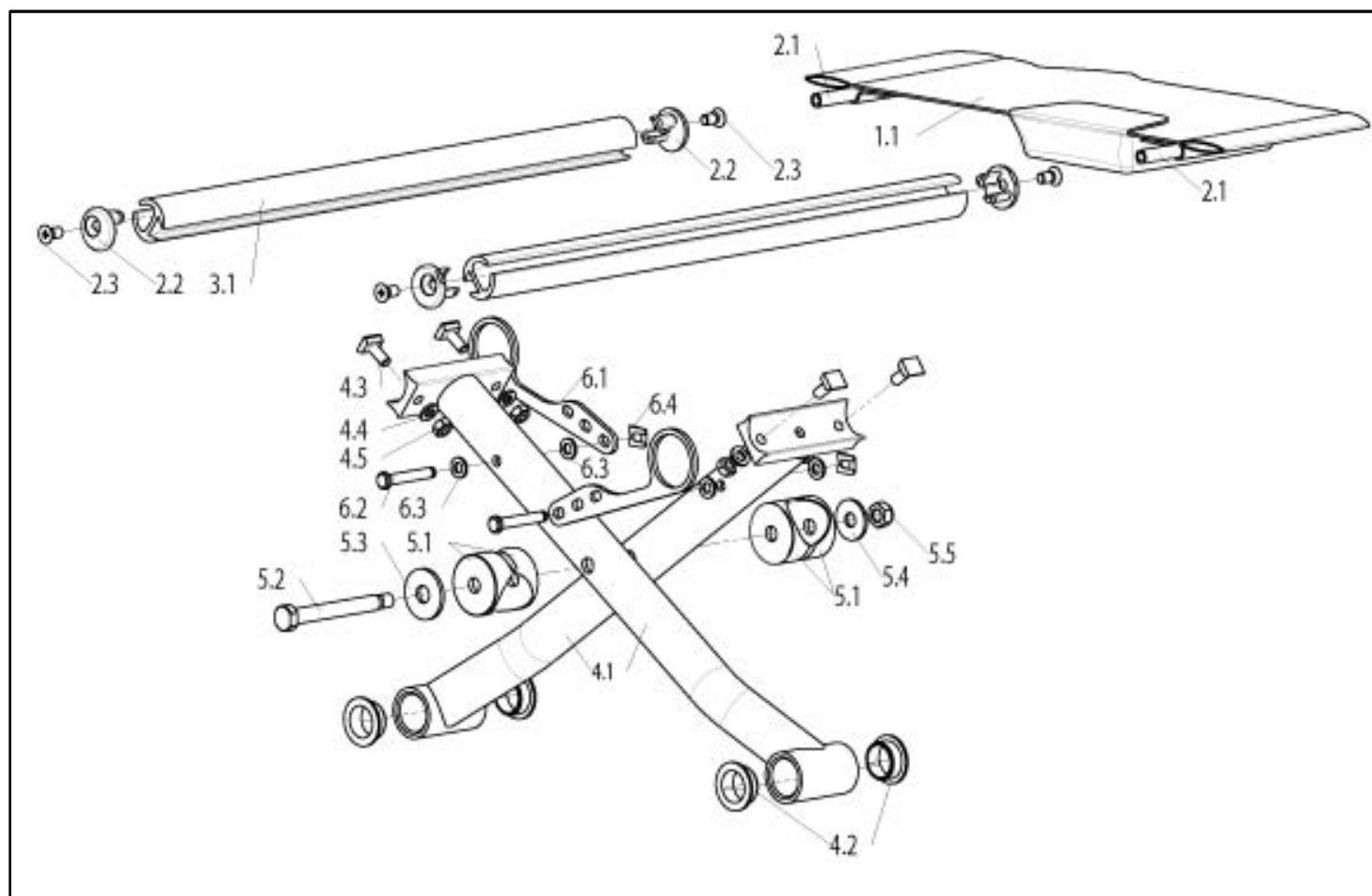
Pos	Item number	Description	Comment
3.1	051324	Padded armrest angle adjustable w/o bracket (Pad length approx. 220 mm)	RH
3.2	051325	Padded armrest angle adjustable w/o bracket (Pad length approx. 220 mm)	LH
1.1- 2.1+3.1- 3.2+4.1- 4.4	76804004-002	Padded armrest angle adjustable with bracket cpl. for angle adjustable backrest	Pair
1.1 - 2.1 + 4.1 - 4.4	76804501	Bracket for padded armrest for angle adjustable backrest, cpl.	1 side

Side guard Composite, detachable



Pos	Item number	Description	Comment
1.1	104164-001	Composite side guard	LH/RH useable
1.1 - 2.4	65104115-000	Composite side guard cpl, with mounting kit	Pair
2.1 - 2.4	65104115-100	Side guard bracket cpl. with mounting kit	LH/RH useable

## Seat / X-brace

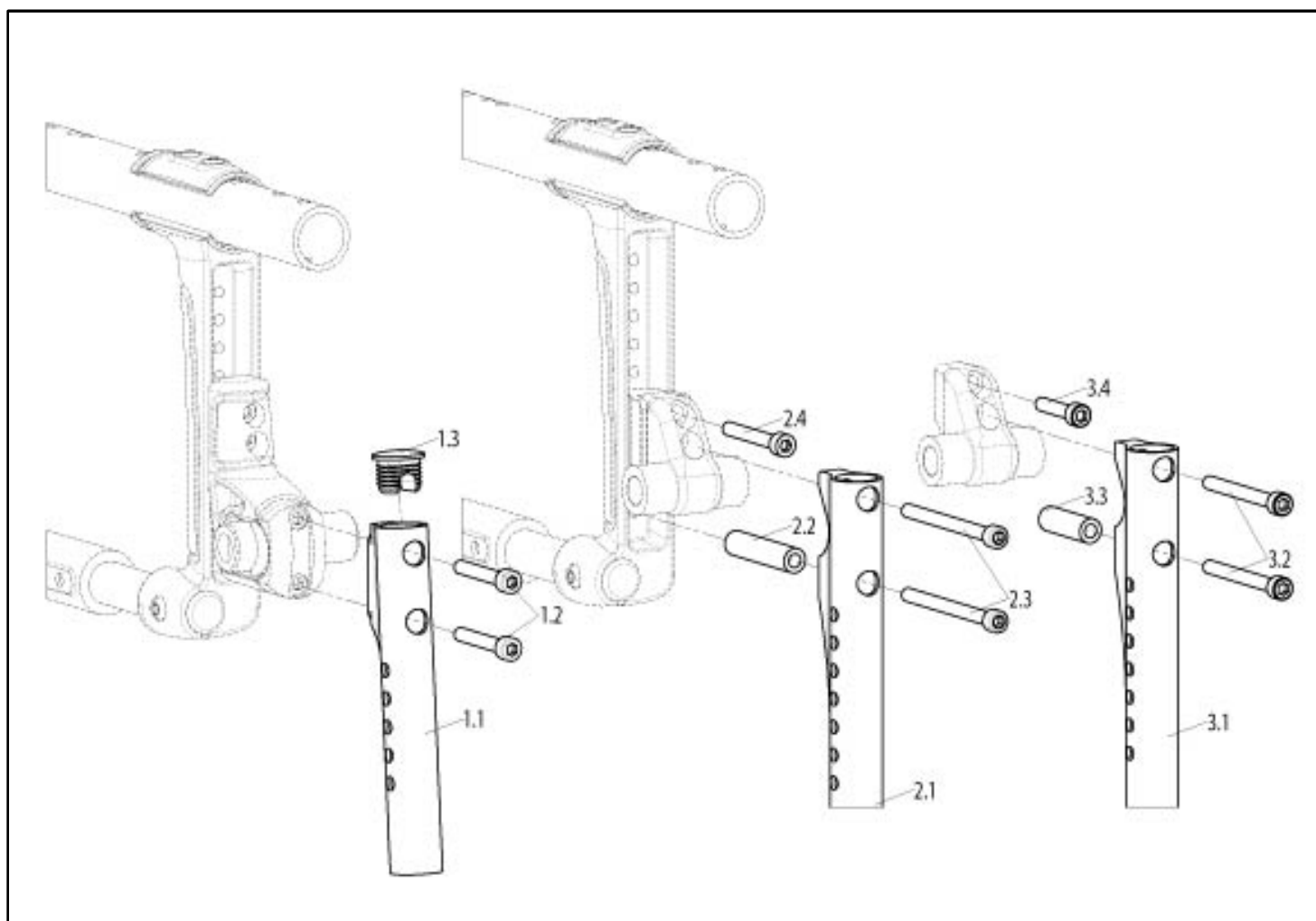


Pos	Item number	Description	Comment
1.1	76802036-000	Seat sling with 1 utensil bag	
1.1	76802037-000	Seat sling with 2 utensil bag	
1.1	76802038-000	Seat sling with utensil- & catheter bag	
2.1 - 2.6	76802035-100	Fitting accessories for seat sling	each 2 pcs.
4.1-4.5, 5.1-5.5	054322-000	Cross-brace cpl.	
4.2	000282092	Slide bearing 19.05	
4.3	052123-001-ET	Clamping bolts M 6	4 pcs./pack
4.4	000130107-ET	A 6.4 washer DIN 125	25 Pc/Pac.
4.5	000128007-ET	Hex nut M 6 DIN 985	25 Pc/Pac.
5.1-5.5	054321-006	Fitting accessories for cross-brace - middle	RH & LH usable
5.1	054306	Half shell for cross-brace	
5.2	054312	Axle for cross-brace	
5.3	000130139-ET	A 10.5 washer DIN 9021	10 Pc/Pac.
5.4	000130138-ET	A 8.4 washer DIN 9021	10 Pc/Pac.

**Seat / X-brace**

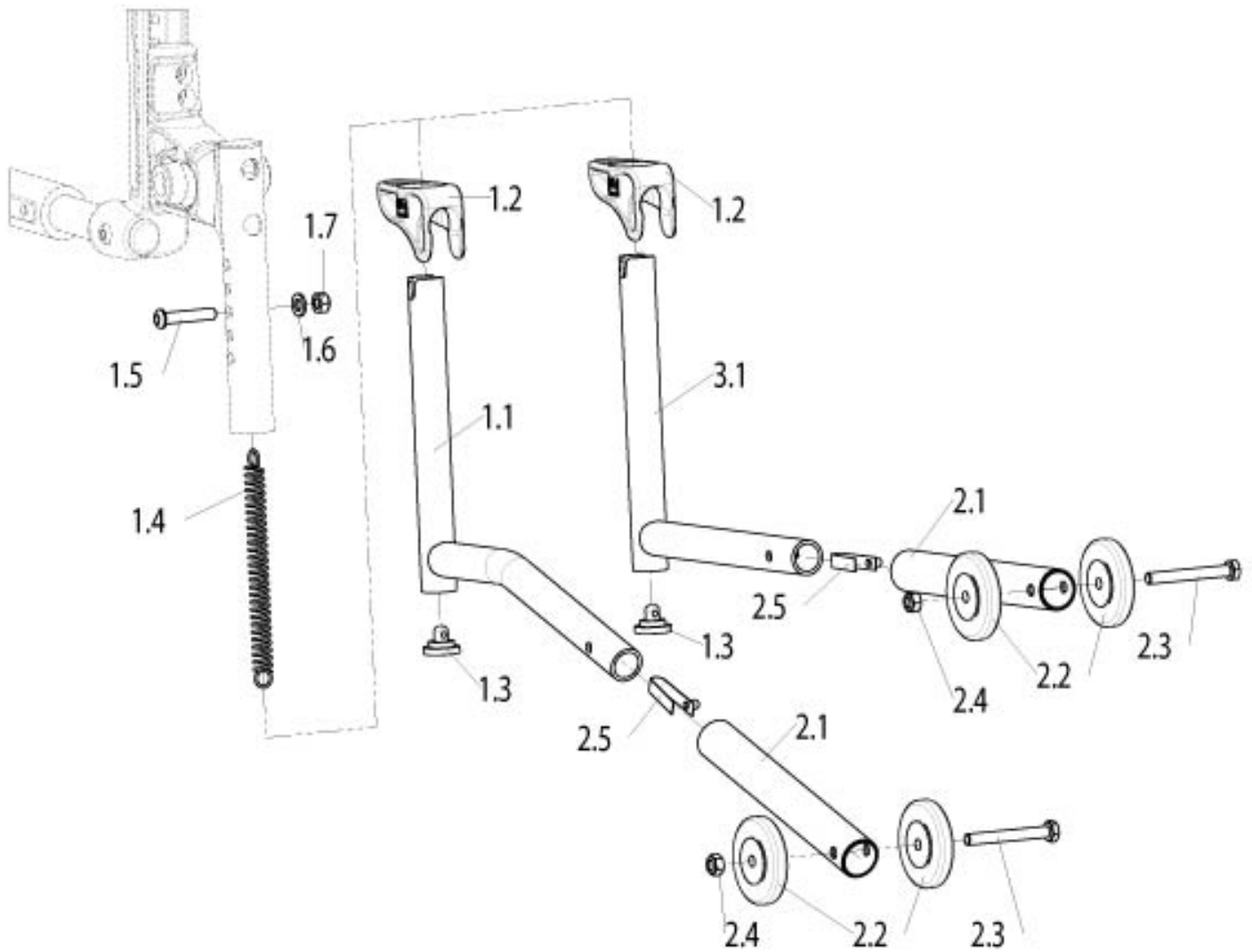
<b>Pos</b>	<b>Item number</b>	<b>Description</b>	<b>Comment</b>
5.5	000128018-ET	Hex nut M 8 DIN 985	25 Pc/Pac.
6.1	05302004-001	X-hinge, SW 32/36	RH & LH usable
6.1	05302004-002	X-hinge, SW 30/34/38	RH & LH usable
6.1	05302004-003	X-hinge, SW 40/44/48	RH & LH usable
6.1	05302004-004	X-hinge, SW 42/46/50	RH & LH usable
6.1 - 6.4	05302004-001-ET	X-hinge, with fitting accessories, SW 32/36	RH & LH usable
6.1 - 6.4	05302004-002-ET	X-hinge, with fitting accessories, SW 30/34/38	RH & LH usable
6.1 - 6.4	05302004-003-ET	X-hinge, with fitting accessories, SW 40/44/48	RH & LH usable
6.1 - 6.4	05302004-004-ET	X-hinge, with fitting accessories, SW 42/46/50	RH & LH usable
6.2	054313-ET	Bolts X-hinge	4 pcs./pack
6.3	000130106-ET	Washer A 6.4 DIN 125, PA	10 Pc/Pac.
6.4	000185002-ET	SL safety nut 6, black	25 Pc/Pac.
-	054319-ET	Seat rail insert	4 Pc./Pac.

## Accessory bracket



Pos	Item number	Description	Comment
1.1-1.2	05309101	Accessory bracket for standard axle receiver	left/right useable
2.1-2.4	05309102	Accessory bracket for lightweight axle receiver, COG 5, 7, 9 and 11	left/right useable
3.1-3.4	05309103	Accessory bracket for lightweight axle receiver, COG 6, 8, 10 and 12	left/right useable

Anti-tip tubes, swing-away

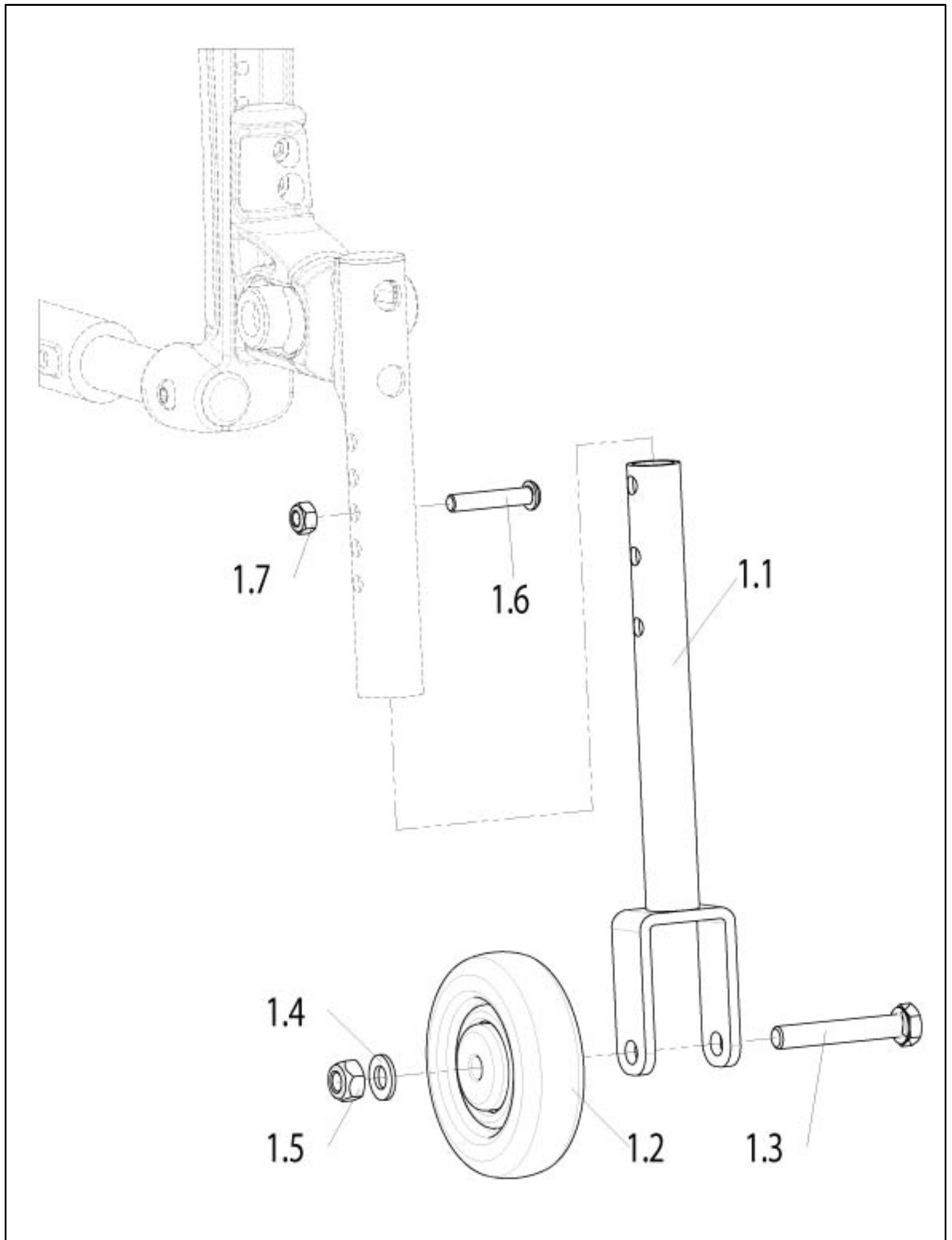


Pos	Item number	Description	Comment
1.1-1.7	000859201	Anti-tip bracket 24in / 26in cpl.	
1.1-1.7 + 2.1- 2.5	000859202	Anti tip swingaway 24in / 26in with bracket cpl. (w/o bracket)	
1.2-1.7 + 3.1	000859203	Anti-tip bracket 20in / 22in cpl.	
1.2-1.7 + 2.1- 2.5 + 3.1	000859212	Anti-tip bracket 24in / 26in cpl.	
1.2	000859001	Pedal for anti tip	
1.3	000859204	Bracket for tension spring	
1.4	000242024	Tension spring	



Pos	Item number	Description	Comment
1.5	000102312.01-ET	Button head cap screw M 6 x 32 Torx drive	25 St./Pkg.
1.6	000130107-ET	Washer A 6,4 DIN 125	25 St./Pkg.
1.7	000128007-ET	Hex nut M 6 DIN 985	25 St./Pkg.
2.1-2.5	000859208	Bracket for anti tip cpl.	
2.5	064711-ET	Support spring with bolt d = 5 mm	

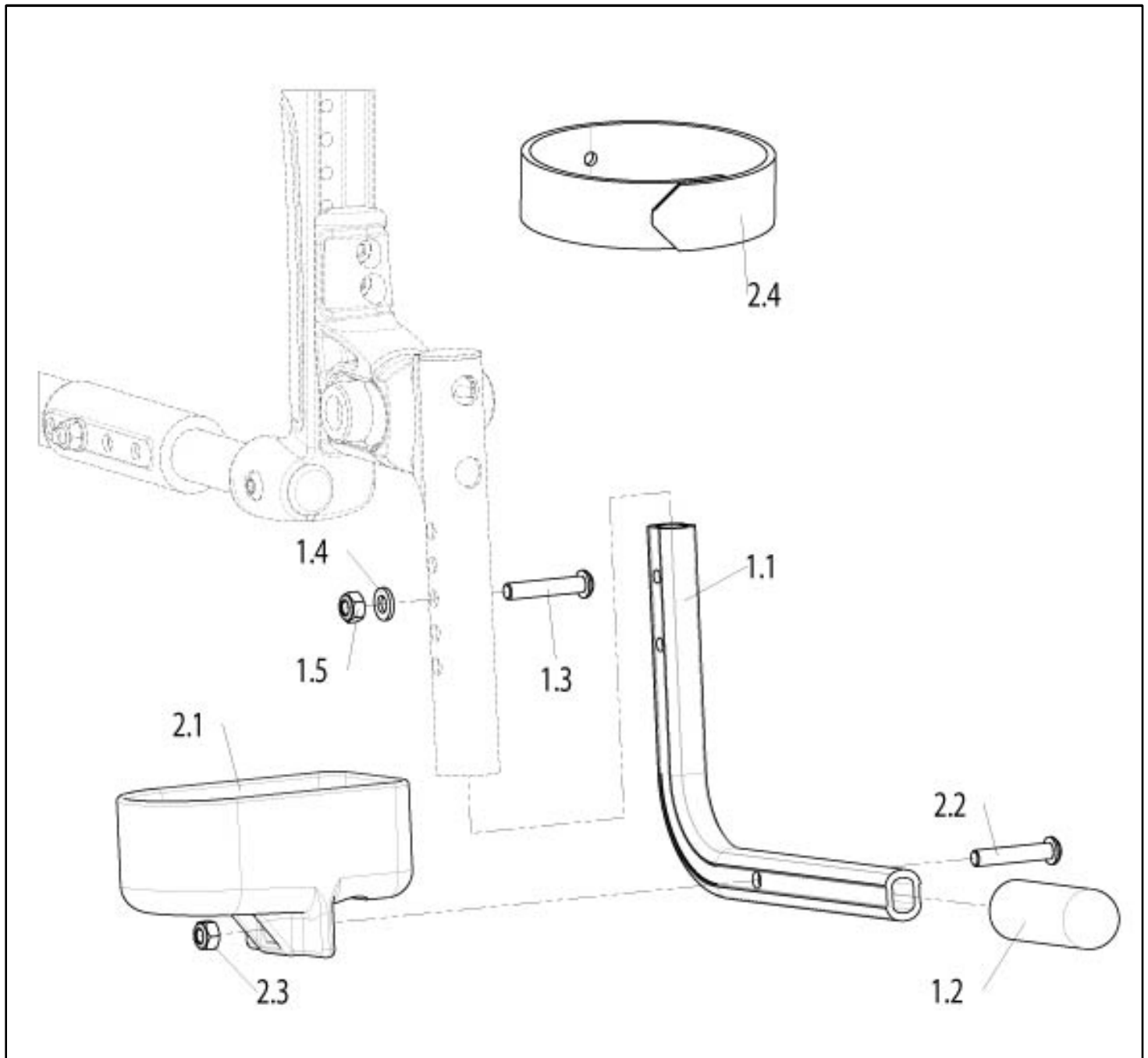
**Transit wheels**



## Transit wheels

Pos	Item number	Description	Comment
1.1-1.7	760858020	Travel wheel cpl. (w/o bracket)	
1.3	000100016-ET	Hex screw M 8 x 50 DIN 931	10 St./Pkg.
1.4	000130108-ET	Washer A 8,4 DIN 125	25 St./Pkg.
1.5	000128018-ET	Hex nut M 8 DIN 985	25 St./Pkg.
1.6	000102312.01-ET	Button head cap screw M 6 x 32 Torx drive	25 St./Pkg.
1.7	000128007-ET	Hex nut M 6 DIN 985	25 St./Pkg.

## Tip assist and crutch holder

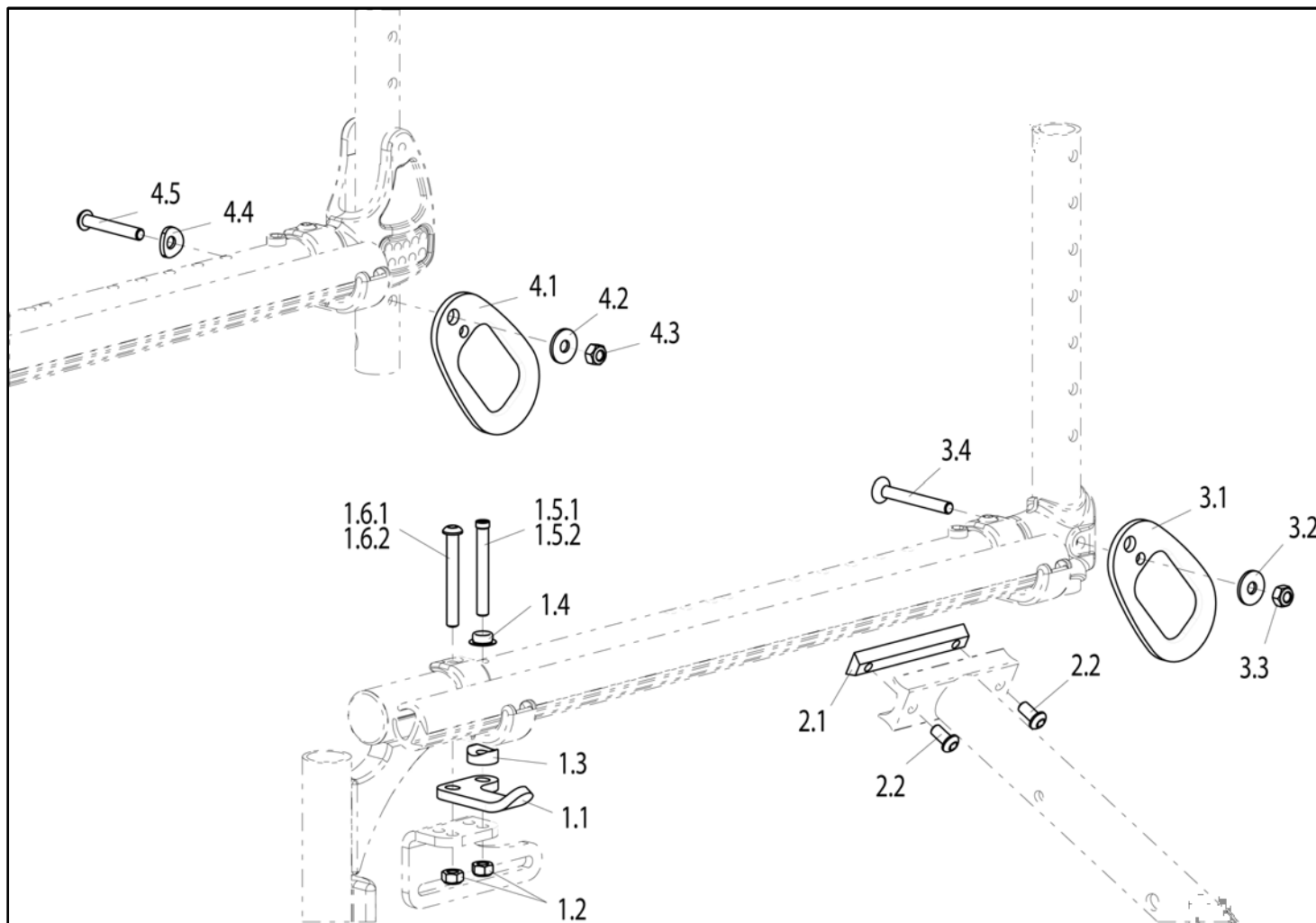


Pos	Item number	Description	Comment
1.1 - 1.5	740815110	Tipping tube complete (without bracket)	
1.2	000282041-ET	Cap tipping tubes 18 x 28, black PVC	10 St./Pkg.
1.3	000102312.01-ET	Button head cap screw M 6 x 32 Torx drive	25 St./Pkg.
1.4	000130107-ET	Washer A 6,4 DIN 125	25 St./Pkg.
1.5	000128007-ET	Hex nut M 6 DIN 985	25 St./Pkg.

## Tip assist and crutch holder

Pos	Item number	Description	Comment
2.1 - 2.4	740815120	Crutch holder with Velcro loops complete (without tipping tubes)	Only in combination with tipping tubes
2.2	000102312.01-ET	Button head cap screw M 6 x 32 Torx drive	25 Pc/Pac.
2.3	000128007-ET	Hex nut M 6 DIN 985	25 Pc/Pac.
2.4	000815123-ET	Velcro loops	5 Pc/Pac.

## Crash test option/140kg version



Pos	Item number	Description	Comment
1.1-3.4	05309105	Tie down brackets for transportation (w/o brake bracket) cpl. for angle adj. back (screws 1.4.1+1.5.1)	
1.1-3.4	05309106	Tie down brackets for transportation (brake bracket) cpl. for angle adj. back (screws 1.4.2+1.5.2)	
1.1-2.2+4.1-4.5	05309107	Tie down brackets for transportation (w/o brake bracket) cpl. for standard. back (screws 1.4.1+1.5.1)	
1.1-2.2+4.1-4.5	05309108	Tie down brackets for transportation (brake bracket) cpl. for standard back (screws 1.4.2+1.5.2)	
1.1.-2.2	05309109	Frame reinforcement for max. user weight 140 kg (w/o brake bracket) cpl. (screws 1.4.1+1.5.1)	
1.1.-2.2	05309110	Frame reinforcement for max. user weight 140 kg (brake bracket) cpl. (screws 1.4.2+1.5.2)	
1.4.1	000812109.02	Part	
1.5.1	000102313.01-ET	Oval head screw M6 x 50 with Torx drive	25 pcs./pack
1.4.2	000812109.03	Part	
1.5.2	000102314.01-ET	Button head cap screw M 6 x 55 Torx drive	25 pcs./pack

## Crash test option/140kg version

Pos	Item number	Description	Comment
1.2	000128007-ET	Hex nut - DIN 985 - M6	25 pcs./pack
1.4	000812103-ET	Bowl head 6 mm	5 pcs./pack
1.3	614853009-ET	Saddle POM, black	10 pcs./pack



Tool kit



Pos	Item number	Description	Comment
1	000604270	Tool kit	Pair

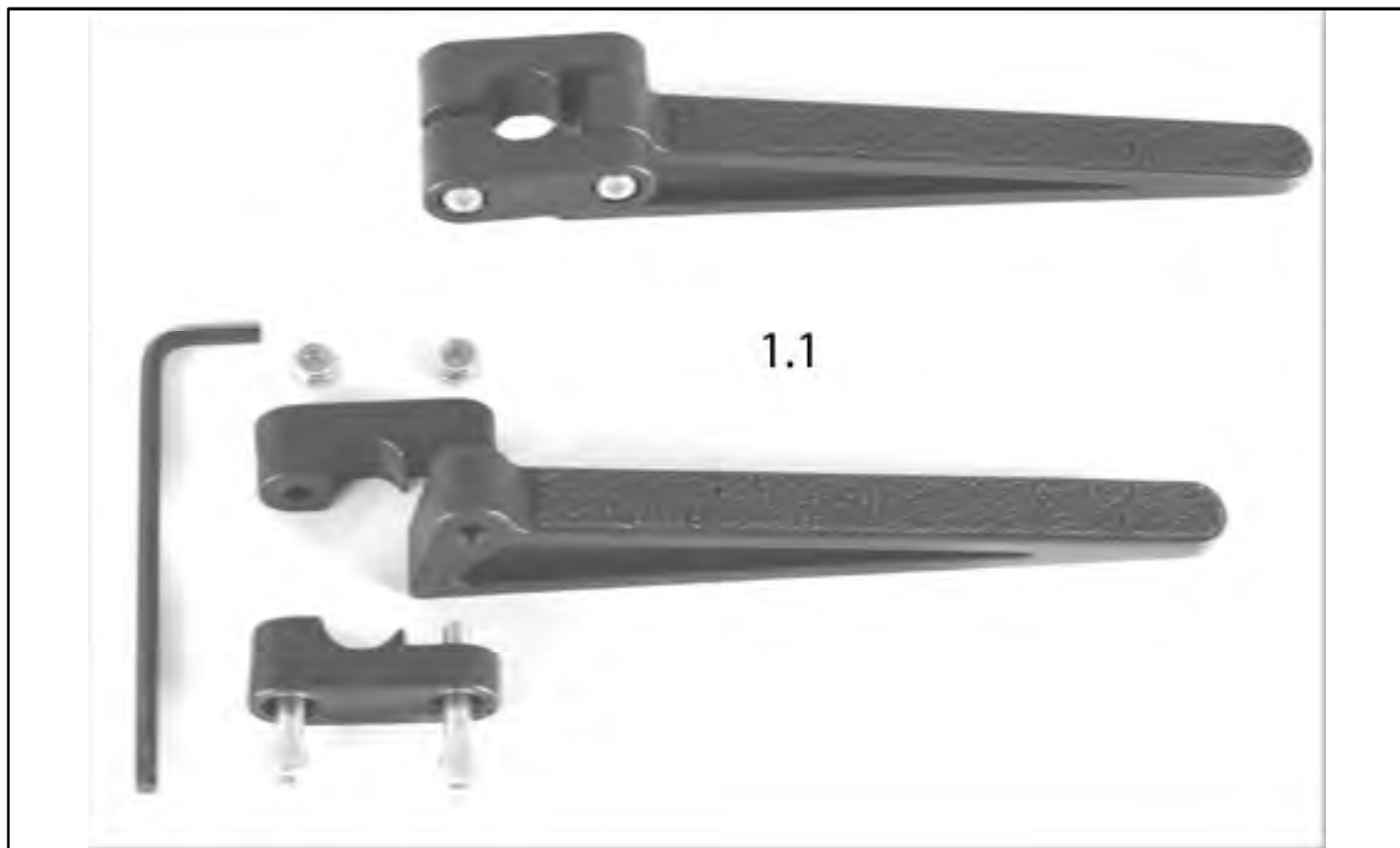
## Positioning Belt with lock

### Positioning Belt with lock



Pos	Item number	Description	Comment
1.1	069939	Safety belt with fastener up to SW: 40	
1.1	069935	Safety belt with fastener from SW: 42	

## Caddy



Pos	Item number	Description	Comment
1.1	L902350	Caddy, bag carrier complete (All parts as illustrated)	2 items

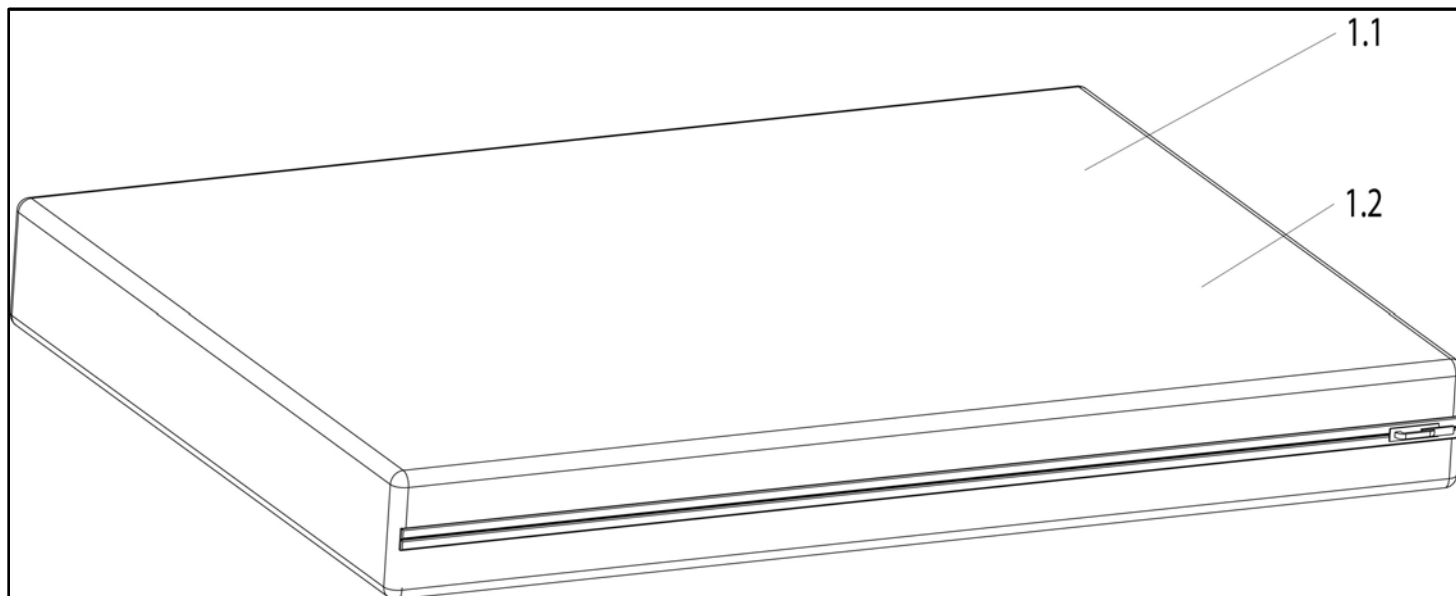
## Back pack

### Back pack



Pos	Item number	Description	Comment
1.1	000670001	Wheelchair back pack, black	

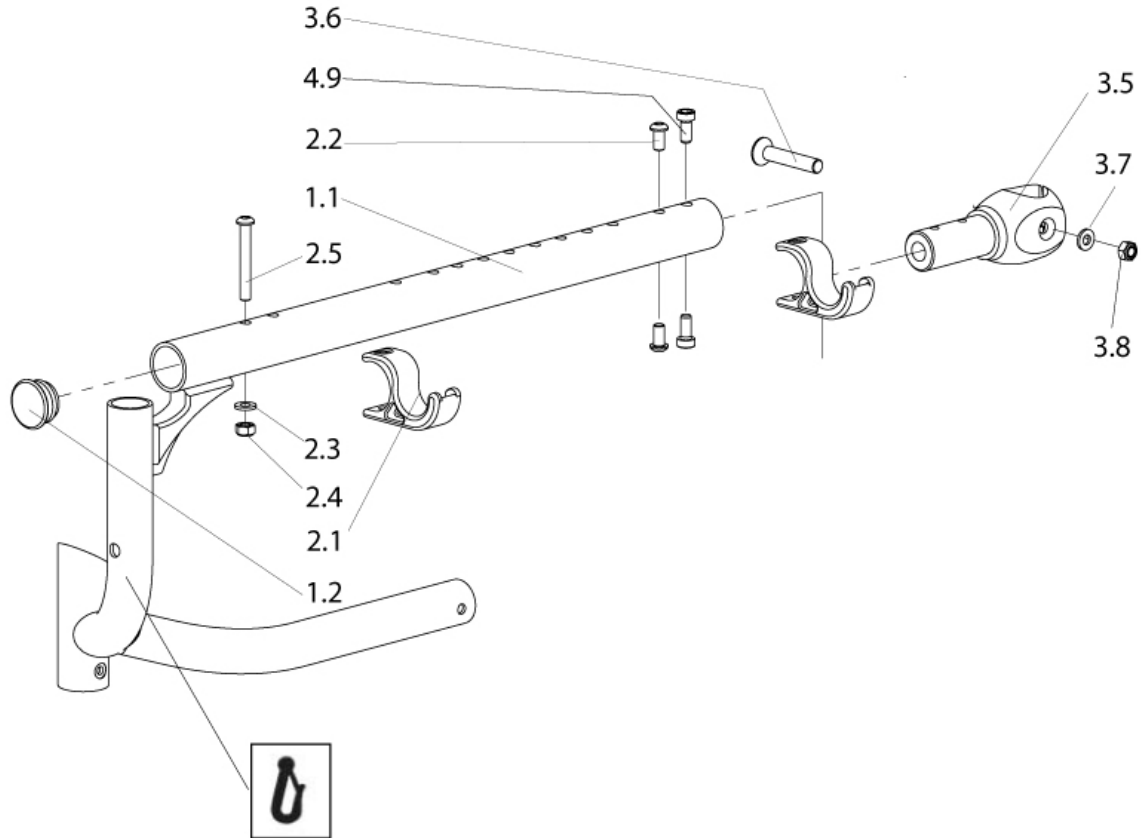
**Seat cushion and cover**



Pos	Item number	Description	Comment
1.1-1.2	000835002	Seat cushion and cover, black complete, cushion filling: Composite foam = 92 (3026)	Thickness: 3 cm or 5 cm
1.1-1.2	000835003	Seat cushion and cover, black complete, cushion filling: Latex = 55 (3027)	Thickness: 5 cm or 8 cm
1.1-1.2	000898063	KLIMA-TEX seat cushion and cover, black complete, cushion filling: Latex = 55 (3028)	Thickness: 5 cm or 8 cm
1.1-1.2	000898060	KLIMA-TEX seat cushion and cover, black complete, cushion filling: Composite foam = 92 (3029)	Only 3 or 5 cm thick
1.1	000836002	Seat cushion cover, black	
1.2	000835810	Seat cushion, filling composite foam	Only 3 or 5 cm thick
		Part INSERT	
1.2	000835820	Seat cushion, filling Latex	Only 5 or 8 cm thick

# Hemi Frame

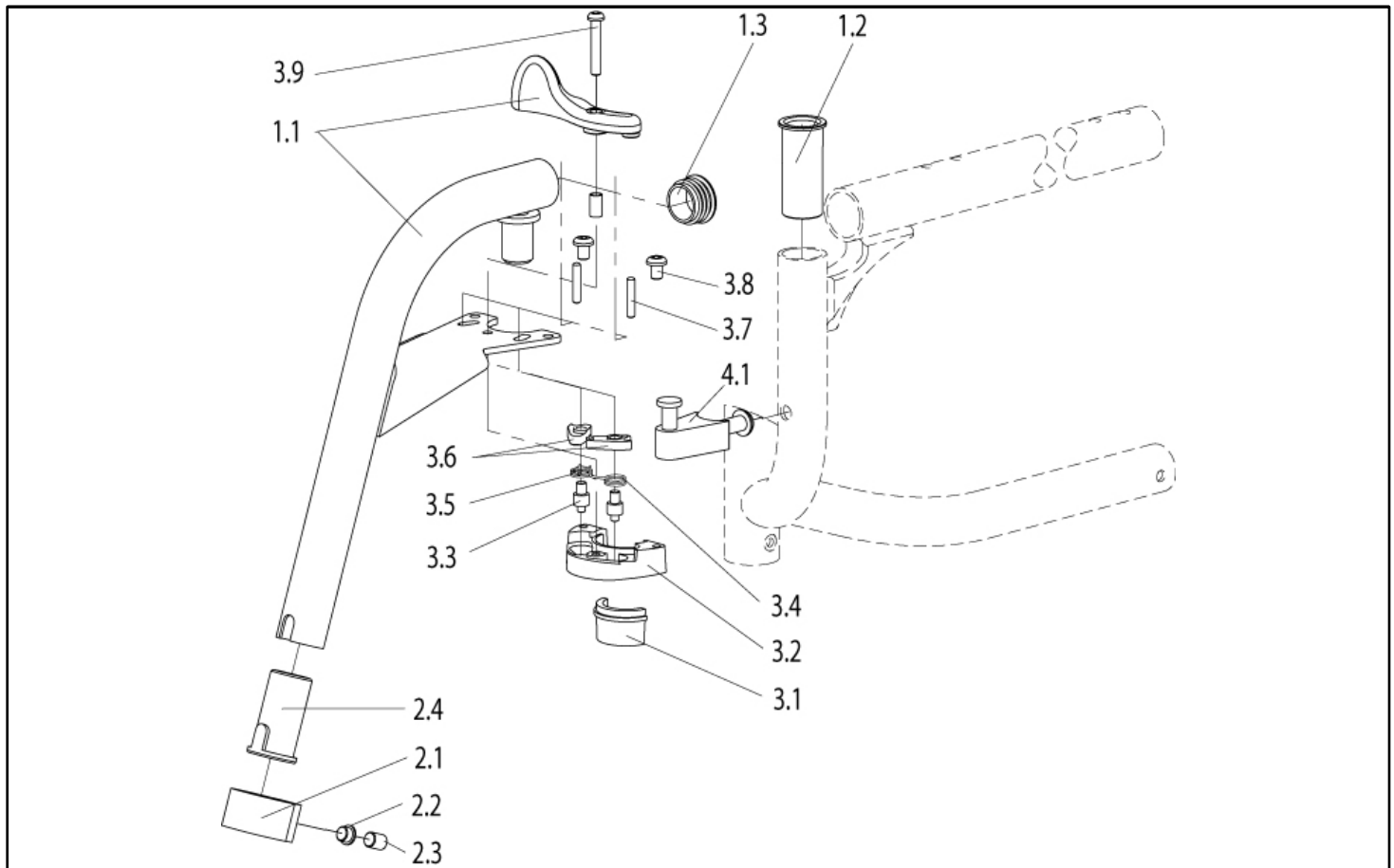
## Hemi Frame



Pos	Item number	Description	Comment
1.1-3.3	054116-002	Hemi Frame, coated, complete SD 30 -40	RH, opposite side must be replaced too
1.1-3.3	054115-002	Hemi Frame, coated, complete SD 30 -40	LH, opposite side must be replaced too
1.1-3.3	054116-003	Hemi Frame, coated, complete SD 42 -44	RH, opposite side must be replaced too
1.1-3.3	054115-003	Hemi Frame, coated, complete SD 42 -44	LH, opposite side must be replaced too
1.1-3.3	054116-004	Hemi Frame, coated, complete SD 46 -48	RH, opposite side must be replaced too
1.1-3.3	054115-004	Hemi Frame, coated, complete SD 46 -48	LH, opposite side must be replaced too
1.2	054121-ET	Insert plug 1 1/8"	4 Pc./Pack
2.1-2.4	052032-000	Seat tube saddle cpl.	
2.1	052032	Seat tube saddle	

Pos	Item number	Description	Comment
2.2	000102308.01-ET	Button head cap screw M 6 x 12 Torx drive	25 Pc/Pac.
2.3	000130107-ET	Washer A 6,4 DIN 125	
2.5	000102313.01-ET	Button head cap screw M 6 x 50 Torx drive	25 Pc/Pac.
3.5-3.8	054134	Backrest bracket frame SD 30-52 used with fixed back	
3.6	000104034-ET	Screw M 8 x 40 DIN 799	10 Pc/Pac.
3.7-3.8	000130107-ET	Washer A 6,4 DIN 125	25 Pc/Pac.
3.8	000128007-ET	Hex nut M 6 DIN 985	25 Pc/Pac.
4.9	054465-ET	Counter screw	6 pc./pack
-	000412.6307-ET	Label "Tie down point", white	4 pcs/pack
-	000412.6309-ET	Label "Tie down point", black	4 pcs/pack

EU Quickie Hemi Hanger 70°



Pos	Item number	Description	Comment
1.1- 4.1	054332-000	EU QUICKIE HEMI hanger 70° cpl.	Pair
1.1- 4.1	054332-001	EU QUICKIE HEMI hanger 70° cpl.	right
1.1- 4.1	054332-002	EU QUICKIE HEMI hanger 70° cpl.	left
1.2	054201	Bushing footrest	4 pcs/ pack
1.3	054221-ET	End plug	4 pcs/ pac
2.1- 2.4	054287	Footrest clamp cpl.	Pair
3.1- 3.10	054288-001	Footrest locking Mechanism cpl.	right
3.1- 3.10	054288-002	Footrest locking Mechanism cpl.	left
4.1	920220M	SA latch stud support assy	