



Life

**Spare Parts
Catalogue**


QUICKIE®

**INNOVATE.
BUILD FOR THE FUTURE**



This product is manufactured to comply with the Medical Device Directive 93/42/EEC.

Use of Illustrations & Text:

The illustrations and accompanying text set out in this document are the property of Sunrise Medical Limited and must not be copied or used for manufacturing, tendering or any other purpose without written consent from Sunrise Medical.

Ordering:

Item numbers shown as N/A are for reference purposes only and should not be used when ordering replacement parts. Always quote the correct serial number and part number.

Quality Management Systems:

Sunrise Medical Limited is accredited to ISO 9001: 2008, which is the internationally recognised standard for quality management systems, as well as ISO 13485: 2012, which specially governs Medical Devices. These approvals ensure that we provide quality in all areas of our business from development through to final delivery.

Parts Disclaimer:

It is potentially hazardous to fit or use any parts other than genuine Sunrise Medical parts. The company disclaims all liability for the consequences of such use, which in addition voids the product warranty.

This product is for the carriage of one person and must not under any circumstances be used for any other purpose.

Queries:

Should you have any queries then please contact Sunrise Medical Ltd on

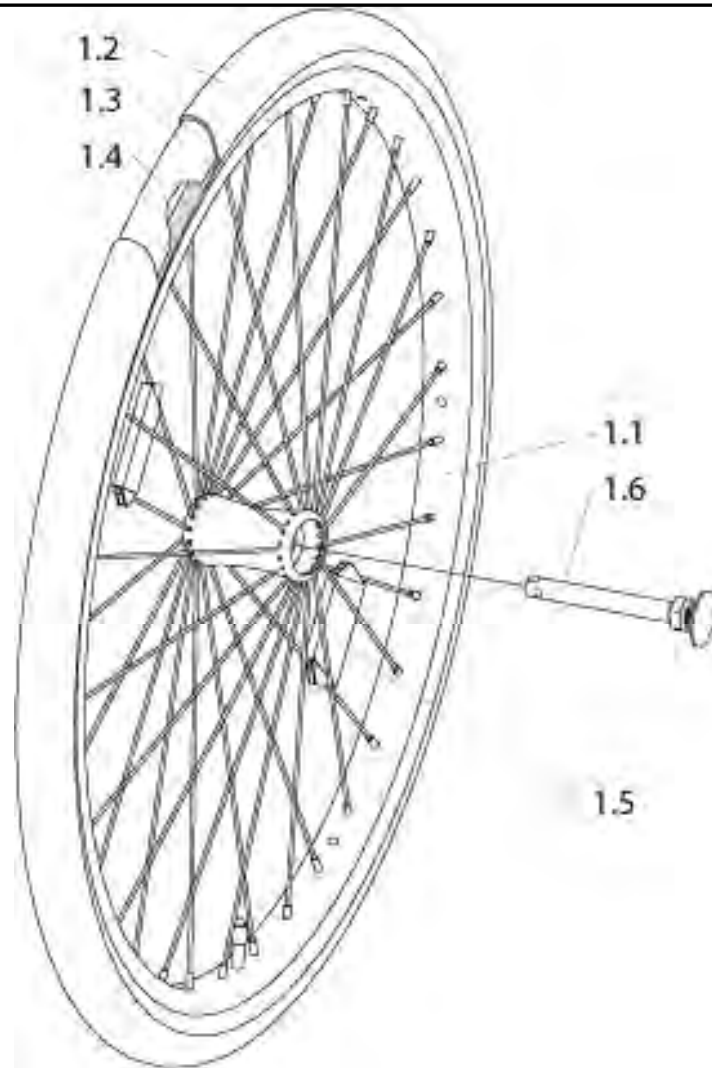
Tel +44(0) 845 605 6688
Fax +44(0) 845 605 6689

QUICKIE Life	5
Rear wheels	5
Lightweight Rear Wheel	5
Design Rear Wheel	7
Universal Rear Wheel (alu hub)	9
Drum brakes Rear wheel with brake	11
Spoke guards, adults	13
Spoke guards, teens	15
Handrim	17
Max Grepp Ergo Para hand rim	19
Screw-in Adapter	20
Brake.....	21
Push to Lock Brake	21
Compact Brake	22
Brake Lever Extension	23
Activation for Drum brake/ Quick release axle	24
Knee lever brake with frame fitting.....	25
One arm brake	26
Footrest.....	28
Footrest measuring overview.....	28
Plastic Footplate	29
Continous Footrest, metal.....	31
Divided Footrest, metal	33
Platform footplate, angle and depth adj., aluminium.....	35
Platform footplate lightweight, composite, flip-up.....	37
Elevating Leg Rest ELR (until week 19/2012).....	38
Elevating Leg Rest ELR (starting week 20/2012)	39
Footrest Xenon SA Version (starting week 44/2012).....	41
Footrest Quickie Version (until week 43/2012)	44
Footrest Plastic Version 70° (starting week 51/2012)	46
Footrest Plastic Version 80°	55
Stump Pad	58
Castor	59
Castor for fixed frame	59
Castor for swing away frame (starting week 15/2014).....	62
Castor for swing away frame (until week 14/2014)	65
Frame.....	68
Upper Connection Profil.....	68
Front Frame for Fixed Footrest	70
Back Frame.....	72
Front Frame for Swing Away Footrest (starting week 15/2014).....	74
Front Frame for Swing Away Footrest (from week 50/2012 to week 14/2014).....	76
Front Frame for Swing Away Footrest (from week 32/2006 to 49/2012)	78
Backrest.....	80
Back tubes for standard back	80
Half Folding Back.....	82
Back Angle Adjustable (until week 26/2013).....	84

Table of contents

Back Angle Adjustable (starting week 27/2013).....	87
Height Adjustable Push Handle	90
Stabilizer bar, autofolding	92
EXO Backrest upholstery, with long and fold down pushhandles.....	93
EXO Backrest upholstery, with height adjustable pushhandles or without pushhandles	95
Sideguard.....	97
Armpad for Desk Sideguard.....	97
Aluminium Sideguard without/with Clothes Protector	98
Plastic Sideguard, detachable	100
Single Post Sideguard with Armpad.....	101
Single post tool height adjustable armrest	103
Desk Sideguard (until week 34/2012)	105
Desk sideguard (starting week 35/2012).....	107
Seat.....	109
Cross Brace	109
Seat Sling.....	112
Accessories.....	116
Caddy.....	116
Tool kit	117
Wheelchair Backback	118
Lap Belt with Fastener	119
Mobile Phone Case.....	120
Frame adapter for accessories	121
Transit Wheel.....	122
Upholstery	124
Anti-tip tube.....	125
Anti tip tubes swing away, aluminium lightweight	127
Tipping tube	129
Therapy table swingaway	130
Therapy table	132
Accessories.....	133
Docking Attitude.....	134

Lightweight Rear Wheel

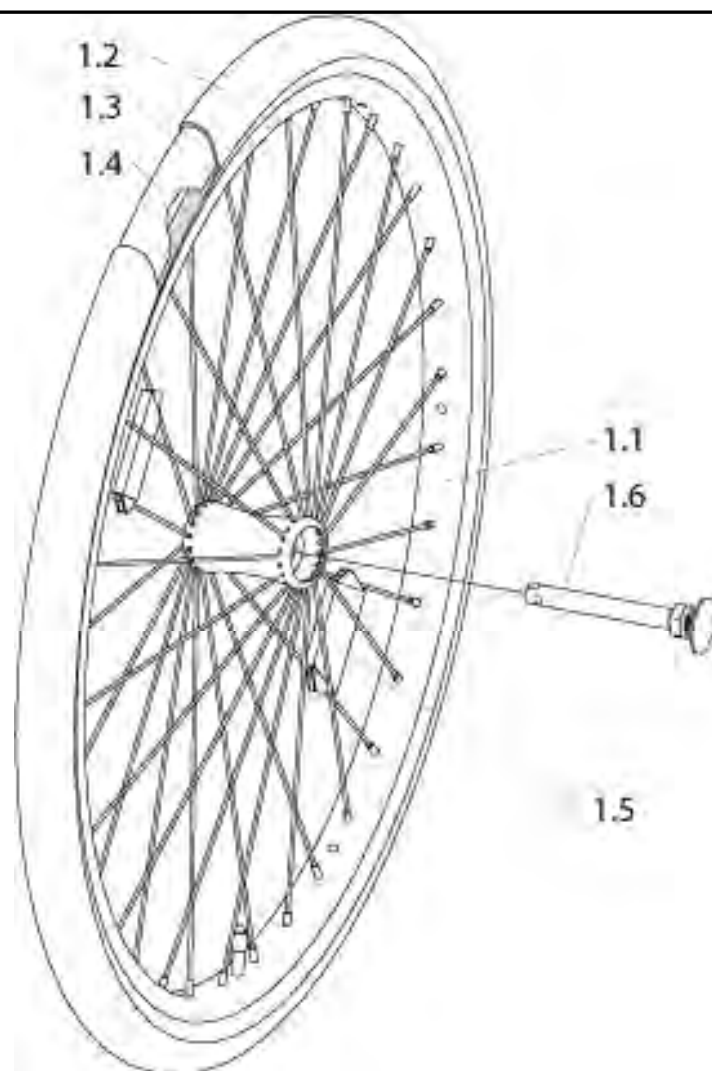


Pos	Item number	Description	Comment
1.1, 1.3, 1.4	000850281.01	22in lightweight rear wheel, anodized finish, with quick-release axle and handrim (without tyre)	
1.1, 1.5-1.6	000850270.01	24Inch Lightweight rear wheel, with quick-release axle (without tyres and handrim)	
1.2 - 1.4	000857225	22in x 1in tyre, Right Run (tyre, tube and rim tape)	
1.2-1.4	000857130.01	24Inch tyre, Schwalbe one, cpl. (tyre, tube & tube protector)	
1.2-1.4	000857424	Downtown - Two grip 24" cpl. (tyre, tube & tube protector)	
1.2	000857130	24Inch tyre, Schwalbe one	
1.2	000283037	24Inch Downtown - Two grip tyre	
-	000283036	24Inch tyre, Marathon Plus Evo, puncture resistance, rugged tread	
1.3	000283114-ET	22in x 1in inner tube	Pack of 10
1.3	000283113	24Inch inner tube	Pack of 10
1.3	000283111-ET	24Inch Inner tube, for Downtown - Two grip	Pack of 10
1.4	000283165-ET	24Inch Tube protector	Pack of 10

Lightweight Rear Wheel

Pos	Item number	Description	Comment
1.4	000283151-ET	22in rim tape	Pack of 10
1.4	000283160-ET	24Inch rim strip (17mm), for lightweight wheel	Pack of 10
1.5	000280009-ET	Spoke reflector, orange (used with lightweight and Proton rear wheel)	Pack of 10
1.6	000220299	Quick-release axle spinergy, design and light weight wheel, 99 mm	

Design Rear Wheel

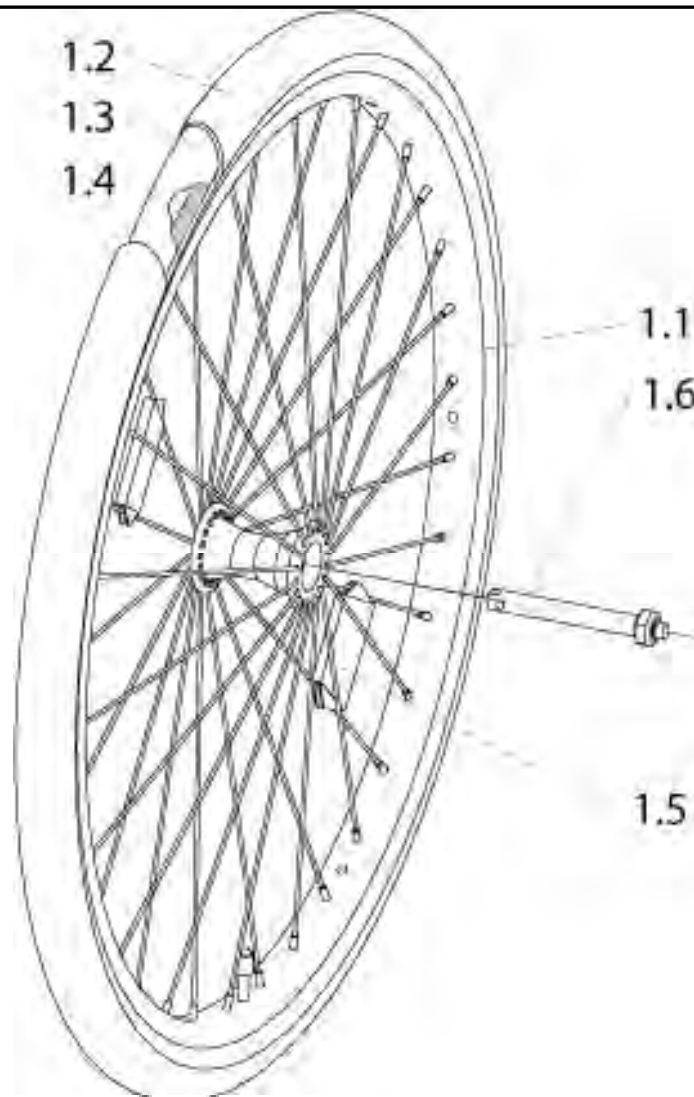


Pos	Item number	Description	Comment
1.1, 1.5-1.6	000851315	24Inch Design rear wheel, clear anodised with quick-release axle (without tyres)	
1.2-1.4	000857224.01	24Inch tyre cpl., Right Run (tyre, tube and tube protector)	
1.2-1.4	000857130.01	24Inch tyre, Schwalbe one, cpl. (tyre, tube and tube protector)	
1.2-1.4	000857424	24Inch Inch Downtown - Two grip tyre, cpl. (tyre, tube & tube protector)	
1.2	000857130	24Inch tyre, Schwalbe one	
1.2	000283014.01	Tyre 24Inch Right Run	
1.2	000283037	24Inch Downtown - Two grip tyre	
-	000283017	24 inch x 1 inch, soft tyre, puncture proofed, black	
-	000283036	24Inch tyre, Marathon Plus Evo, puncture resistance, rugged tread	
1.3	000283113	24Inch inner tube	
1.3	000283111-ET	24Inch Inner tube, for Downtown - Two grip	10 pcs./pack
1.4	000283160-ET	24Inch Tube protector	10 pcs./pack

Design Rear Wheel

Pos	Item number	Description	Comment
1.6	000220299	Quick-release axle spinergy, design and light weight wheel, 99 mm	
-	000280001-ET	Spoke reflector	10 pcs./pack

Universal Rear Wheel (alu hub)

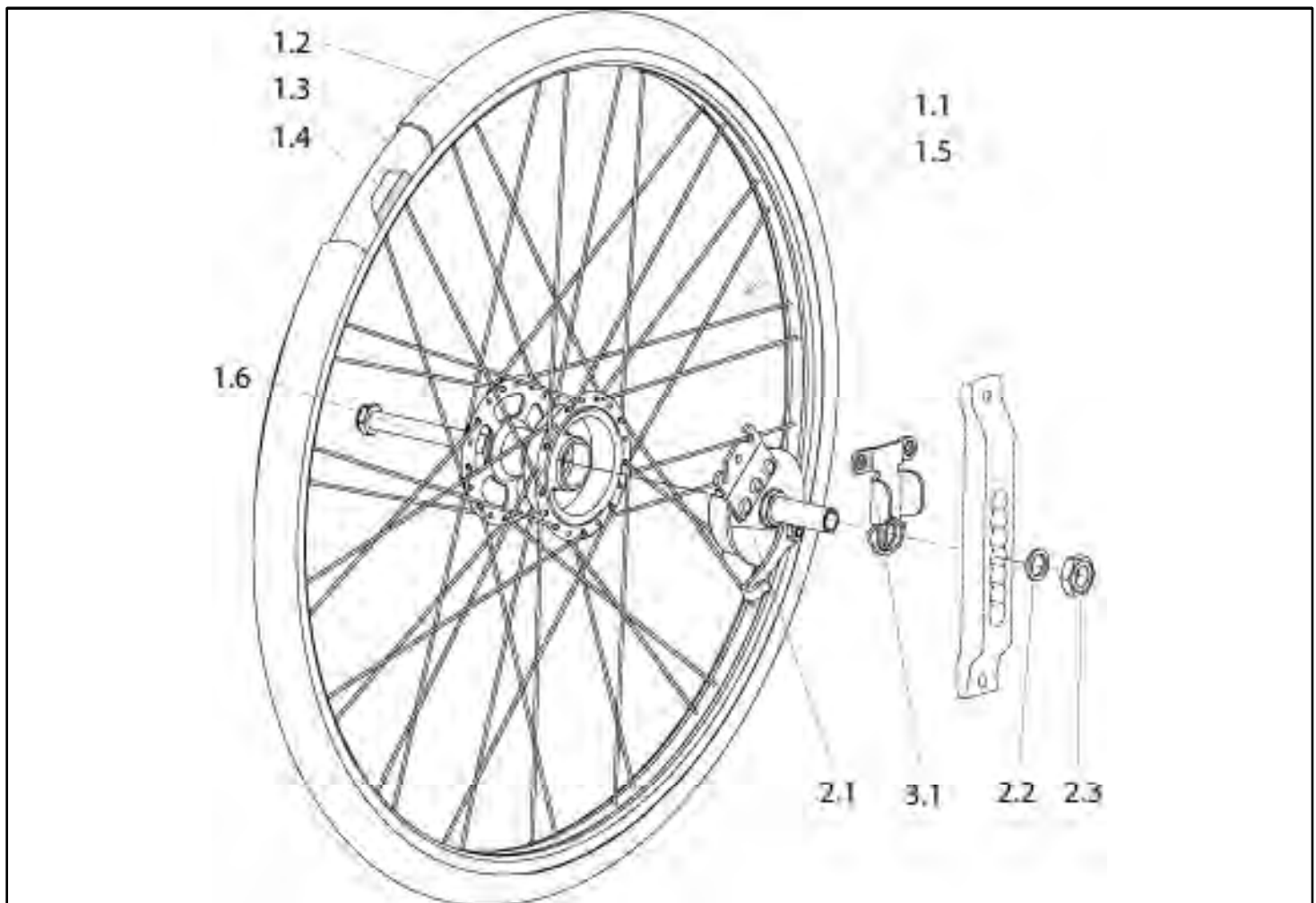


Pos	Item number	Description	Comment
1.1,1.5-1.6	000850262	22Inch Universal rear wheel, with cross spokes and quick-release axle (without tyre)	
1.1,1.5-1.6	000850262.01	22Inch Universal wheel, with straight spokes and quick-release axle (without tyre)	
1.1,1.5-1.6	000851262	22Inch Universal wheel, coated, with cross-spokes and quick-release axle (without tyre)	
1.1,1.5-1.6	000851262.01	22Inch Universal rear wheel, coated, with straight spokes and quick-release axle (without tyre)	
1.1,1.5-1.6	000850264	24" Universal rear wheel, clear anodised with cross spokes and quick-release axle (without tyres, without handrim)	
1.1,1.5-1.6	000851264	24Inch Universal wheel, coated, with cross-spokes and quick-release axle (without tyre)	
1.2-1.4	000857225	22Inch tyre, grey, rugged tread cpl. (tyre, tube and tube protector)	
1.2	000283016.01	Tyre 22Inch, Right Run	
1.2	000283002	Tyre 24Inch	

Universal Rear Wheel (alu hub)

Pos	Item number	Description	Comment
1.3	000283114-ET	22Inch pneumatic inner tube	Pack of 10
1.4	000283151-ET	22Inch tube protector	Pack of 10
1.2-1.4	000857224.01	24Inch tyre cpl., Right Run (tyre, tube and tube protector)	
1.2-1.4	000857424	24Inch Downtown - Two grip tyre, complete (tyre, tube & tube protector)	
-	000283015.01	24 inch x 1 3/8 inch, soft tyre, puncture proofed, grey	not initially mounted
-	000283017	24 inch x 1 inch, soft tyre, puncture proofed, black	
1.2	000283014.01	Tyre 24Inch , Right Run	
1.2	000283037	24Inch Downtown - Two grip tyre	
-	000283036	24Inch tyre, Marathon Plus Evo, puncture resistance, rugged tread	
1.3	000283113	24Inch inner tube	
1.3	000283102	Tyre 24Inch Autoventil, 8 mm	
1.4	000283160-ET	24Inch Tube protector	Pack of 10
1.5	000280001-ET	Spoke reflector	Pack of 10
1.6	000220253	Quick-release axle for Universal rear wheel	

Drum brakes Rear wheel with brake

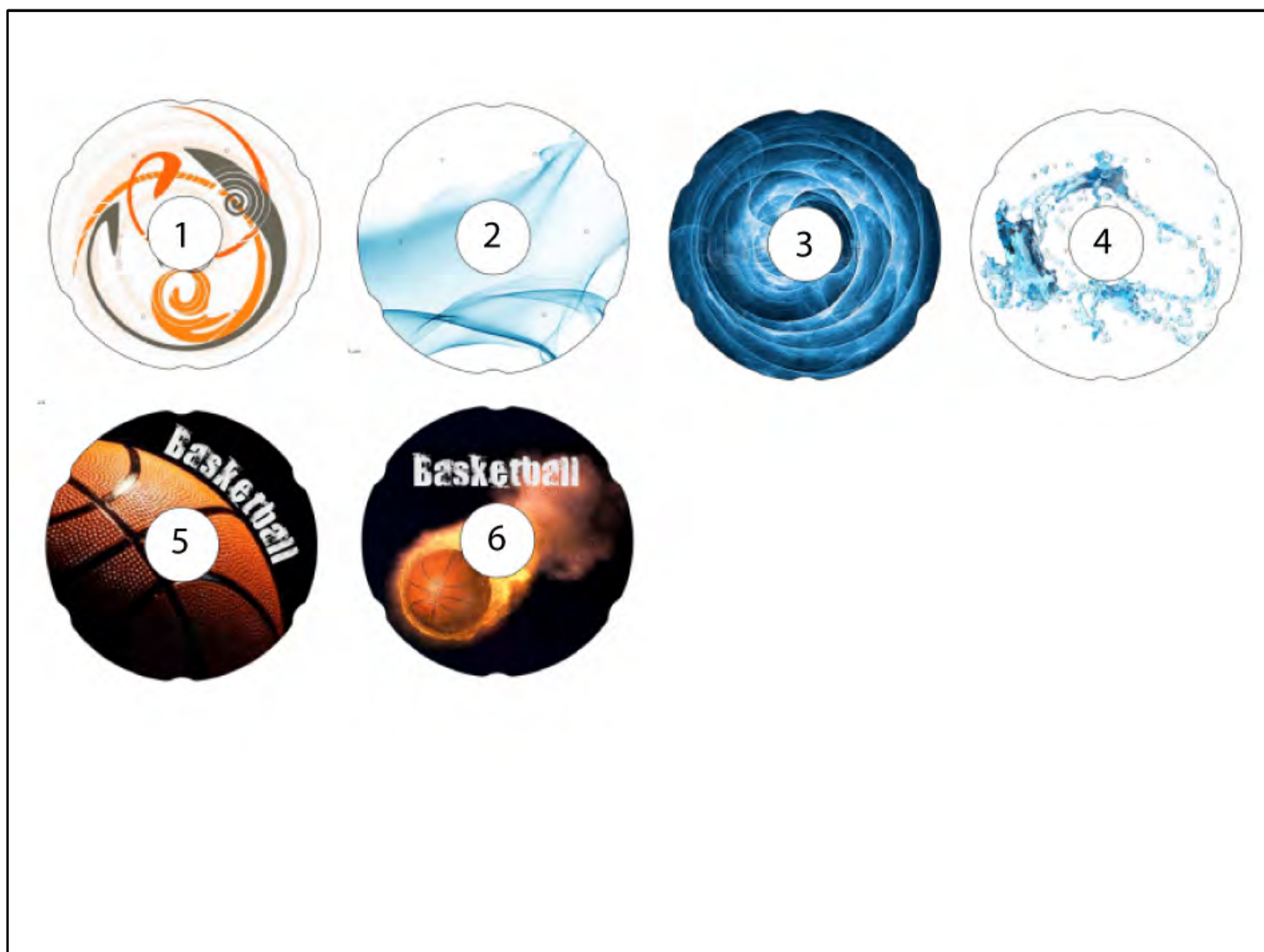


Pos	Item number	Description	Comment
1.1,1.5-2.3	000851412	22in complete drum brake wheel with brake holder and quick-release axle (tyre and torque supports must be ordered separately)	right
1.1,1.5-2.3	000751412	22in complete drum brake wheel with brake holder and quick-release axle (tyre and torque supports must be ordered separately)	left
1.1,1.5-1.6	000851368.02	22in spoke wheel with quick-release axle	
1.2-1.4	000857225	22in x 1in tyre, Right Run	
1.2	000283016.01	Tyre 22inx1in, Right Run	
1.3	000283114-ET	22in x 1in inner tube	Pack of 10
1.4	000283151-ET	22in rim tape	Pack of 10
1.1,1.5-2.3	000851414	24in complete drum brake wheel with brake holder and quick-release axle (tyre and torque supports must be ordered separately)	right
1.1,1.5-2.3	000751414	24in complete drum brake wheel with brake holder and quick-release axle (tyre and torque supports must be ordered separately)	left
1.1,1.5-1.6	000851369.02	24in spoke wheel with quick-release axle	
1.2-1.4	000857224.01	24in x 1in tyre cpl., Right Run (tyre, tube and tube protector)	

Drum brakes Rear wheel with brake

Pos	Item number	Description	Comment
1.2-1.4	000857424	24in x 1in Downtown - Two grip tyre	
o.B.	000283015.01	24in x 1 3/8in solid tyre	
o.B.	000283017	24 inch x 1 inch, soft tyre, puncture proofed, black	
1.2	000283014.01	Tyre 24in x 1in, Right Run	
1.2	000283037	24in Downtown - Two grip tyre	
o.B.	000283036	24in tyre, Marathon Plus Evo, puncture resistance, rugged tread	
-	0002832560.01	26in tyre, Marathon Plus Evo, puncture resistance, rugged tread	
1.3	000283113	24in x 1in pneumatic inner tube	
1.3	000283111-ET	24in pneumatic inner tube for Downtown - Two grip	Pack of 10
1.4	000283160-ET	24in rim tape for Downtown - Two grip (19 mm)	Pack of 10
1.6	000220230	Design quick-release axle for drum brakes (from manufacturing week 49/2000)	
2.1-2.3	000961080	Brake holder, grey coated (from manufacturing week 49/2000)	Pair
2.2	000138002-ET	Lock washer VS 16	Pack of 10
3.1	760861025	Torque supports	can be used right and left
1.5	000280001-ET	Spoke reflector	Pack of 10

Spoke guards, adults



Pos	Item number	Description	Comment
1	062551-021	Spoke guard 22in cpl., Creative	incl. Fasteners
2	062551-022	Spoke guard 22in cpl., Silk	incl. Fasteners
3	062551-023	Spoke guard 22in cpl., Space	incl. Fasteners
4	062551-024	Spoke guard 22in cpl., Flying Water	incl. Fasteners
5	062551-025	Spoke guard 22in cpl., Basketball	incl. Fasteners
6	062551-026	Spoke guard 22in cpl., Basketball 2	incl. Fasteners
1	062553-021	Spoke guard 24in cpl., Creative	incl. Fasteners
2	062553-022	Spoke guard 24in cpl., Silk	incl. Fasteners

Spoke guards, adults

Pos	Item number	Description	Comment
3	062553-023	Spoke guard 24in cpl., Space	incl. Fasteners
4	062553-024	Spoke guard 24in cpl., Flying Water	incl. Fasteners
5	062553-025	Spoke guard 24in cpl., Basketball	incl. Fasteners
6	062553-026	Spoke guard 24in cpl., Basketball 2	incl. Fasteners
-	000118004-ET	Fastener used with spoke guards	Pack of 25

Spoke guards, teens

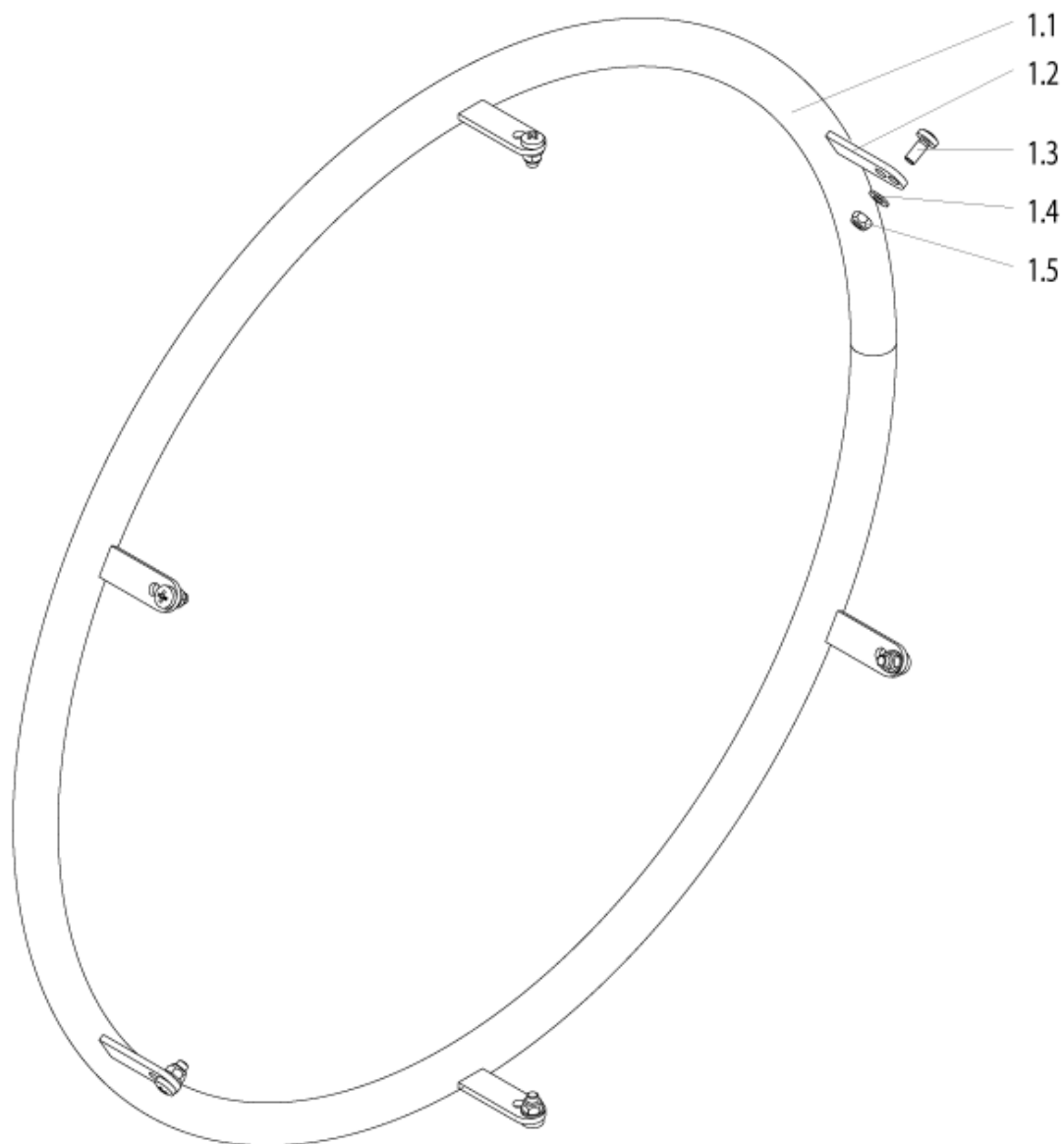


Pos	Item number	Description	Comment
1	062551-012	Spoke guard 22in cpl., Abstract	incl. Fasteners
2	062551-013	Spoke guard 22in cpl., Racing	incl. Fasteners
3	062551-014	Spoke guard 22in cpl., Pool	incl. Fasteners
4	062551-015	Spoke guard 22in cpl., Oriental	incl. Fasteners
5	062551-016	Spoke guard 22in cpl., Dirt Race	incl. Fasteners
6	062551-017	Spoke guard 22in cpl., Feather	incl. Fasteners
7	062551-018	Spoke guard 22in cpl., Hot Wheels	incl. Fasteners
8	062551-019	Spoke guard 22in cpl., Chrome Wheel	incl. Fasteners

Spoke guards, teens

Pos	Item number	Description	Comment
9	062551-020	Spoke guard 22in cpl., Graffiti	incl. Fasteners
1	062553-012	Spoke guard 24in cpl., Abstract	incl. Fasteners
2	062553-013	Spoke guard 24in cpl., Racing	incl. Fasteners
3	062553-014	Spoke guard 24in cpl., Pool	incl. Fasteners
4	062553-015	Spoke guard 24in cpl., Oriental	incl. Fasteners
5	062553-016	Spoke guard 24in cpl., Dirt Race	incl. Fasteners
6	062553-017	Spoke guard 24in cpl., Feather	incl. Fasteners
7	062553-018	Spoke guard 24in cpl., Hot Wheels	incl. Fasteners
8	062553-019	Spoke guard 24in cpl., Chrome Wheel	incl. Fasteners
9	062553-020	Spoke guard 24in cpl., Graffiti	incl. Fasteners
-	000118004-ET	Fastener used with spoke guards	Pack of 25
-	062553-033	Spoke guard 24in cpl., transparent	incl. Fasteners
-	062551-033	Spoke guard 22in cpl., transparent	incl. Fasteners

Handrim



Pos	Item number	Description	Comment
1.1-1.5	000854035.24	24Inch aluminium handrim, colour-coated. Complete with fitting accessories	
1.1-1.5	000854024.22	22Inch handrim, stainless steel, complete, electropolished	
1.1-1.5	000854742	22Inch handrim, high Supergrip, complete, black	
1.1-1.5	000854534	24Inch handrim, Supergrip, complete, black	must not used with lightweight wheels

Handrim

Pos	Item number	Description	Comment
1.1-1.5	066550-003	Lightweight handrim 24", aluminium, clear coated, incl. mounting accessories	only close-mount
1.1-1.5	066516-003-ET	Lightweight-handrim 24", Aluminium, anodized, incl. mounting accessories	only close-mount
1.1-1.5	066551-003	24Inch lightweight handrim, colour coated	lightweight wheels only
1.1-1.5	000854624.24	24Inch handrim, stainless steel central, close-mount	
1.1-1.5	000854044	24Inch stainless steel handrim, electropolished cpl. with fitting accessories	
1.1-1.5	000854026.28	24Inch aluminium handrim, silveranodised. Complete with fitting accessories.	
1.1-1.5	000854026.30	24Inch handrim, aluminium anodized, clear coated	
1.2-1.5	000959906-ET	Fitting accessories for close-mount handrim	
1.2-1.5	000959908-ET	Fitting accessories for wide-mount handrim	
1.3	000102061-ET	Oval-head screws M5 x 12 DIN 7985	25 St./Pkg.
1.4	000128005.01-ET	Hex nut M 5 DIN 985	25 St./Pkg.
1.5	000130111-ET	Washer A5.3 DIN 125	25 St./Pkg.
-	000854513	22Inch handrim cover black	
-	000854514	24Inch handrim cover, black	

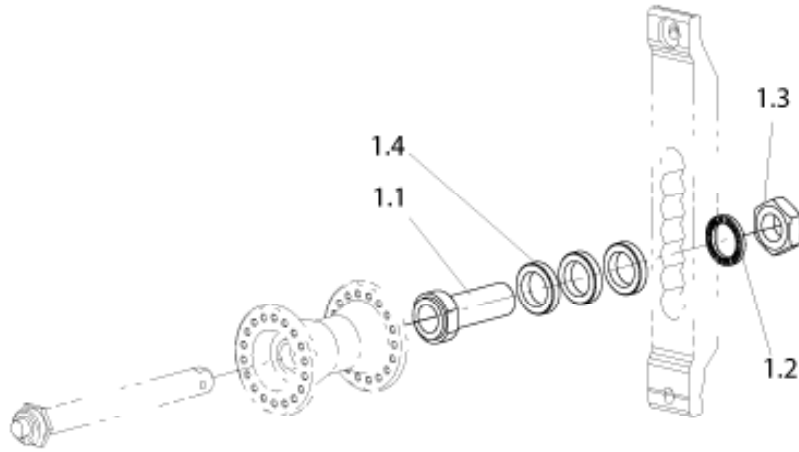
Max Grepp Ergo Para hand rim



Pos	Item number	Description	Comment
1 - 2	062544	Handrim 24" Max Grepp Ergo Para hand rim, used for Universal wheel cpl. with mounting accessories	
1 - 2	062545	Handrim 24" Max Grepp Ergo Para hand rim, used for Proton- or Lightweight Rear Wheel cpl. with mounting accessories	
2	062546	Mounting accessories for Max Grepp Ergo Para hand rim, used for Universal rear wheel	
2	062547	Mounting accessories for Max Grepp Ergo Para hand rim, used for Proton- or Lightweight Rear Wheel	

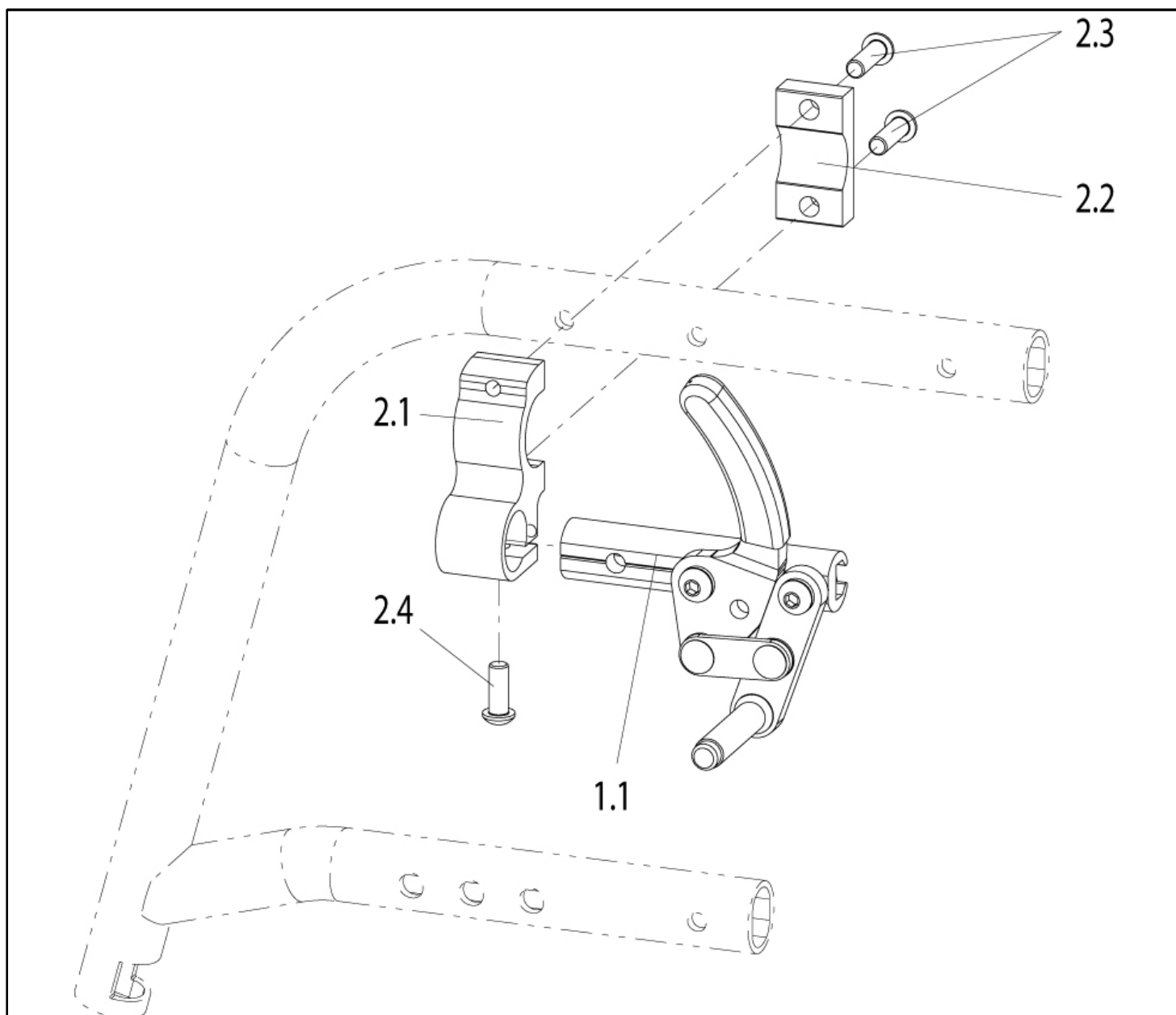
Screw-in Adapter

Screw-in Adapter



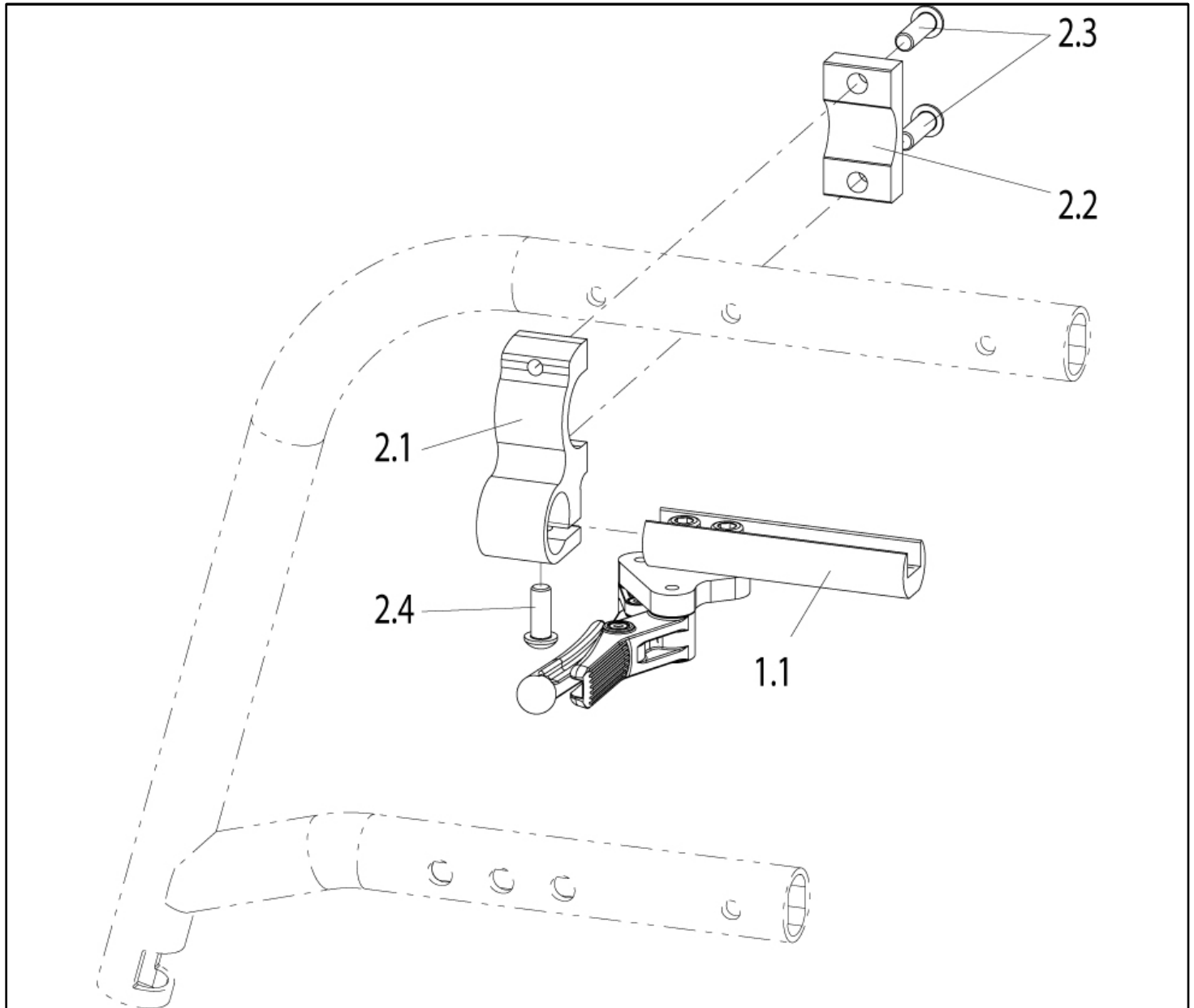
Pos	Item number	Description	Comment
1.1 - 1.4	000853013	Screw-in adapter, long, cpl. (with 3 spacer rings: 5 mm)	used with: desk sideguard and design rear wheel with 1° camber)
-	000210004-ET	Grooved ball bearing DIN 625	Pack of 10
1.2	000138002-ET	Lock washer VS 16	Pack of 10
1.3	000220256-ET	Hex nut M 16 x 1	Pack of 10
1.4	000851071-ET	Spacer ring 5 mm	Pack of 10

Push to Lock Brake



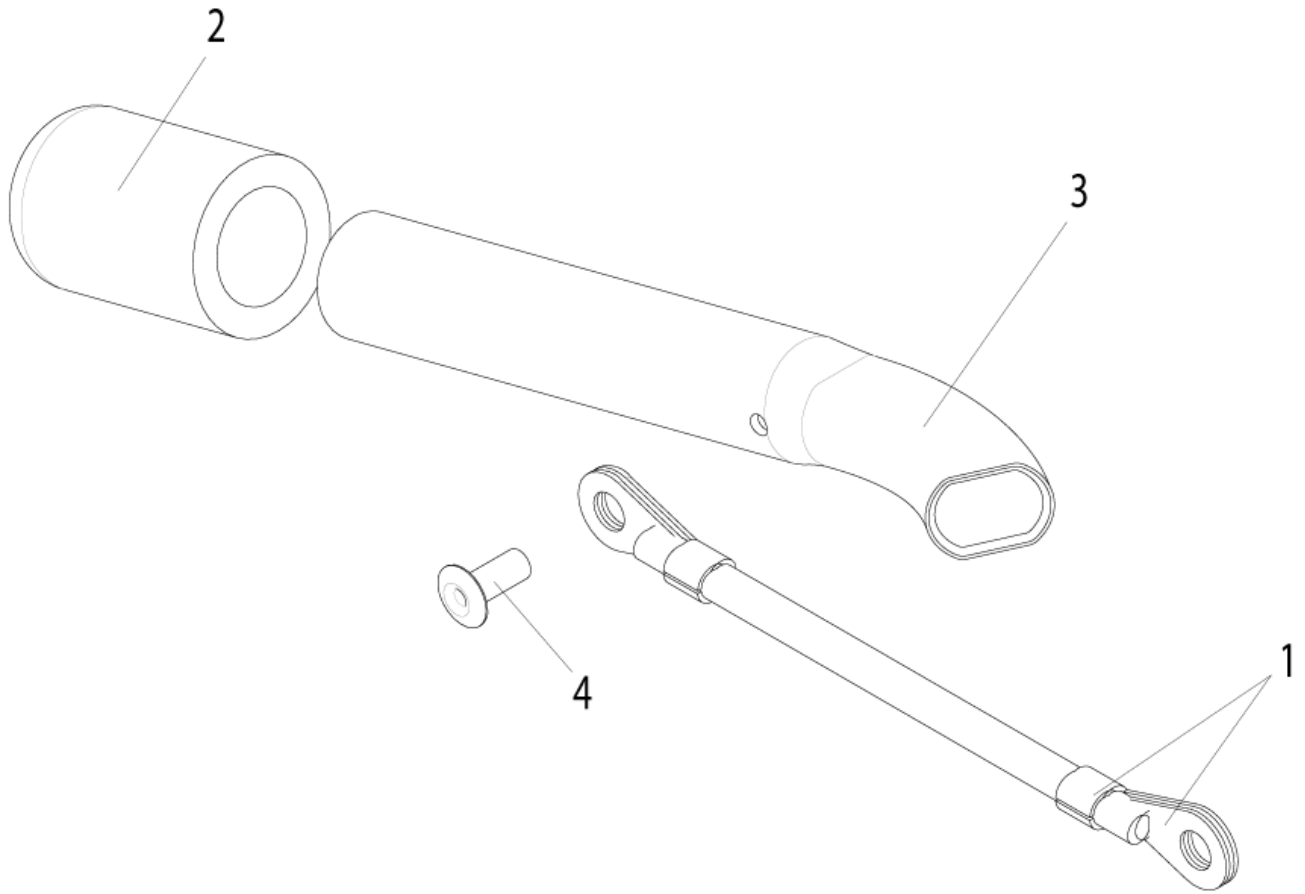
Pos	Item number	Description	Comment
1.1-2.4	072603	Push to Lock Brake with Fitting accessories complete	Pair
1.1-2.4	072604	Push to Lock Brake with Fitting accessories complete	LH, starting week 15/2012
1.1-2.4	072605	Push to Lock Brake with Fitting accessories complete	RH, starting week 15/2012
1.1	104216-002	Push to Lock Brake	LH
1.1	104216-001	Push to Lock Brake	RH
2.2-2.4	072606-ET	Fitting accessories for Brake	can be used right & left
2.3	000102307.01-ET	Lens head screw M 6 x 20 with Tuflock, Torx	Pack of 25
2.4	000102309.01-ET	Lens head screw M 6 x 16 with Tuflock, Torx	Pack of 25

Compact Brake



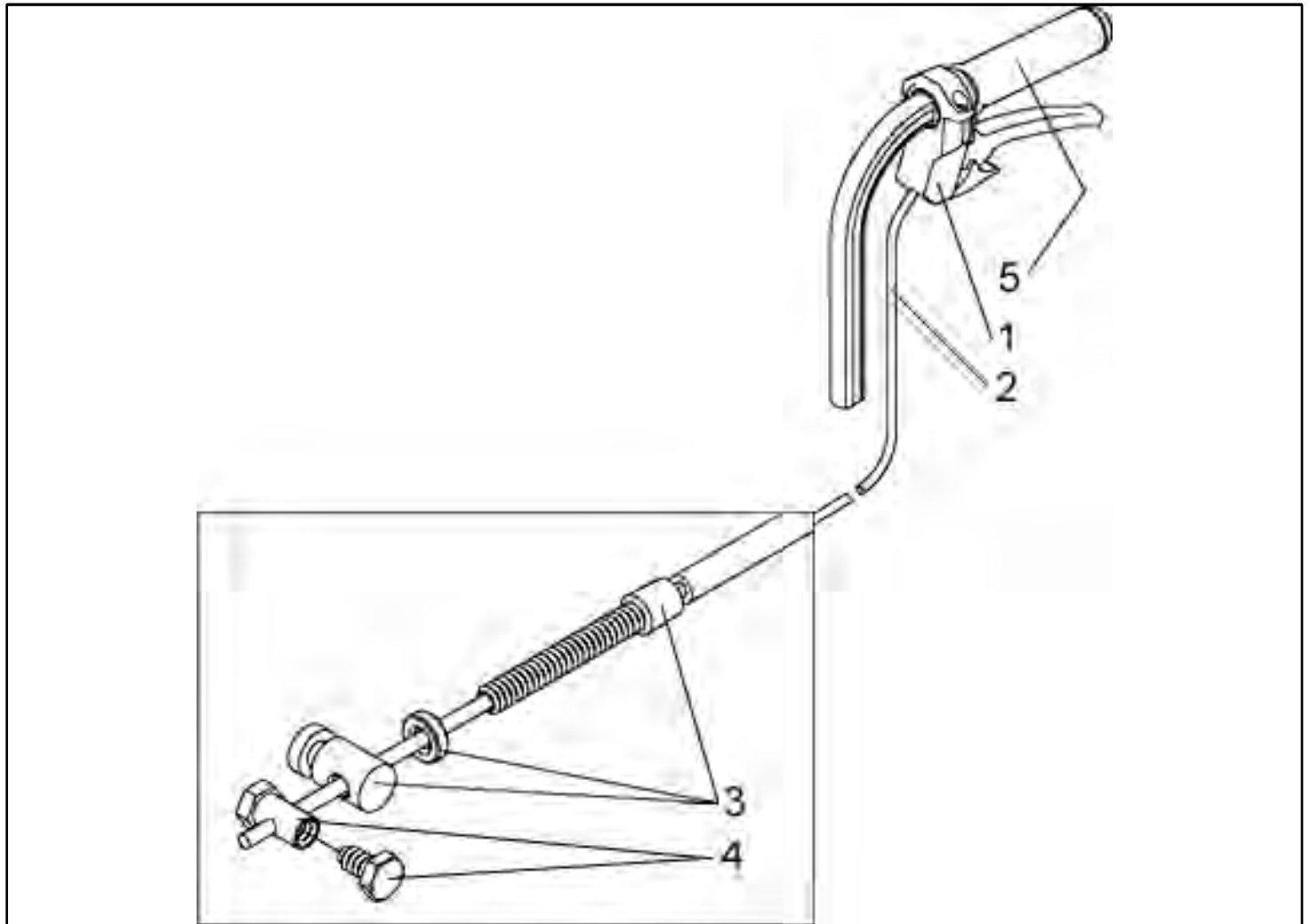
Pos	Item number	Description	Comment
1.1-2.4	072607	Compact Brake with Fitting accessories complete	Pair
1.1-2.4	072608	Compact Brake with Fitting accessories complete	LH, starting week 15/2012
1.1-2.4	072609	Compact Brake with Fitting accessories complete	RH, starting week 15/2012
1.1	066608-001	Compact brake	LH
1.1	066608-002	Compact brake	RH
2.2-2.4	072606-ET	Fitting accessories for Brake	can be used right & left
2.3	000102307.01-ET	Lens head screw M 6 x 20 with Tuflock, Torx	Pack of 25
2.4	000102309.01-ET	Lens head screw M 6 x 16 with Tuflock, Torx	Pack of 25

Brake Lever Extension



Pos	Item number	Description	Comment
1-4	104325-ET	Brake lever extension, complete	2 pcs./pack

Activation for Drum brake/ Quick release axle



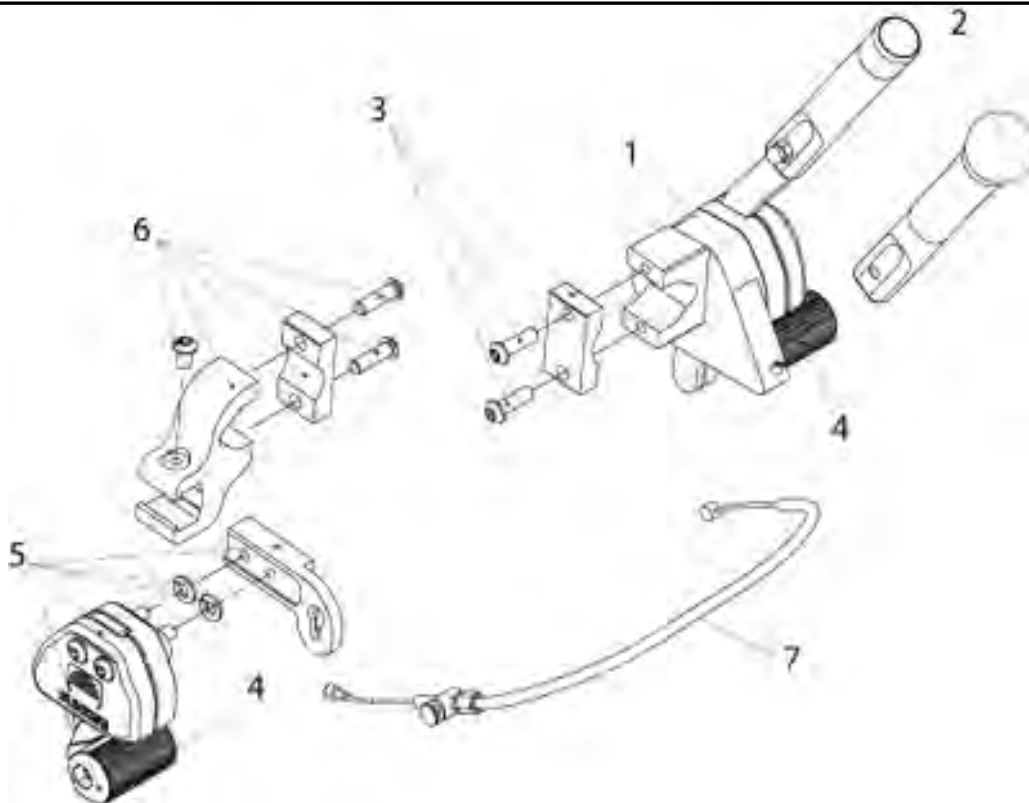
Pos	Item number	Description	Comment
1-4	000861012-ET	Activation for drum brakes/quick-release axle, complete (standard back tube)	2 pcs./pack
1-4	000861014-ET	Activation for drum brake	2 pcs./pack
3-4	000228031	Accessories for cables	
1	000228022	Activation lever	
2	000228030	Cables	
4	760861017-ET	Sleeve nut with screw	pack of 10
5	71104051-001-ET	Handgrip used with drum brake push handle	pack of 10

Knee lever brake with frame fitting
--

Pos	Item number	Description	Comment
1-4	000961255	Knee lever brakes with frame fitting, complete	Pair
1-4	000861255	Knee lever brake with frame fitting, complete	right
1-4	000761255	Knee lever brake with frame fitting, complete	left
1-3	000961250	Knee lever brakes	Pair
1-3	000861250	Knee lever brake	right
1-3	000761250	Knee lever brake	left
2	000861156-ET	Cover cap for brake lever, black	Pack of 5
3	000861252	Brake bolts, complete	
	000102312.01-ET	Oval-head screws M6 x 32 with Torx drive	Pack of 25
	000128007-ET	Hex nut M6 DIN 985	Pack of 25
4	000861251	Frame fitting for knee lever brake, complete. Can be fitted right and left	
	000102307.01-ET	Oval-head screws M6 x 20 with Torx drive	Pack of 25
	000102310.01-ET	Oval-head screws M6 x 10 with Torx drive	Pack of 25
5	000861253	Brake lever extension, complete	Pack of 2
	000102066-ET	Oval-head screw M 5 x 20 DIN 7985	Pack of 12
	000128006-ET	Hex nut M5 DIN 985	Pack of 25

One arm brake

One arm brake



Pos	Item number	Description	Comment
1 - 7	000862240	One-arm brake with activation, complete	right
-	000762240	One-arm brake with activation, complete	left
1 - 4	000862220	One-arm brake, activation side, complete	right
-	000762220	One-arm brake, activation side, complete	left
4 - 6	000862230	One-arm brake, revolving side, complete	right
-	000762230	One-arm brake, revolving side, complete	left
2	000861253	Brake lever extension, complete	
-	000102066-ET	Oval-head screw M 5 x 20 DIN 7985	Pack of 12
-	000128006-ET	Hex nut M5 DIN 985	Pack of 25
3	000862218	Fitting for activation side, complete	can be used right and left
-	000102304.01-ET	Oval-head screw M 6 x 20 with Torx drive	Pack of 25
4	000861252	Brake bolts, complete	
-	000102312.01-ET	Oval-head screw M 6 x 32 with Torx drive	Pack of 25
-	000128007-ET	Hex nut M6 DIN 985	Pack of 25
5	000862229	One-arm brake on revolving side	right
5	000762229	One-arm brake on revolving side	left
6	000861251	Fitting for revolving side, complete	can be used right and left

Pos	Item number	Description	Comment
-	000102307.01-ET	Oval-head screw M 6 x 20 with Torx drive	Pack of 25
-	000102310.01-ET	Oval-head screw M 6 x 10 with Torx drive	Pack of 25
7	000862223.01	Cables for one-arm brake, short, complete	SW 24-30
7	000862223.02	Cables for one-arm brake, medium, complete	SW 32-40
7	000862223.03	Cables for one-arm brake, long, complete	SW 42-50

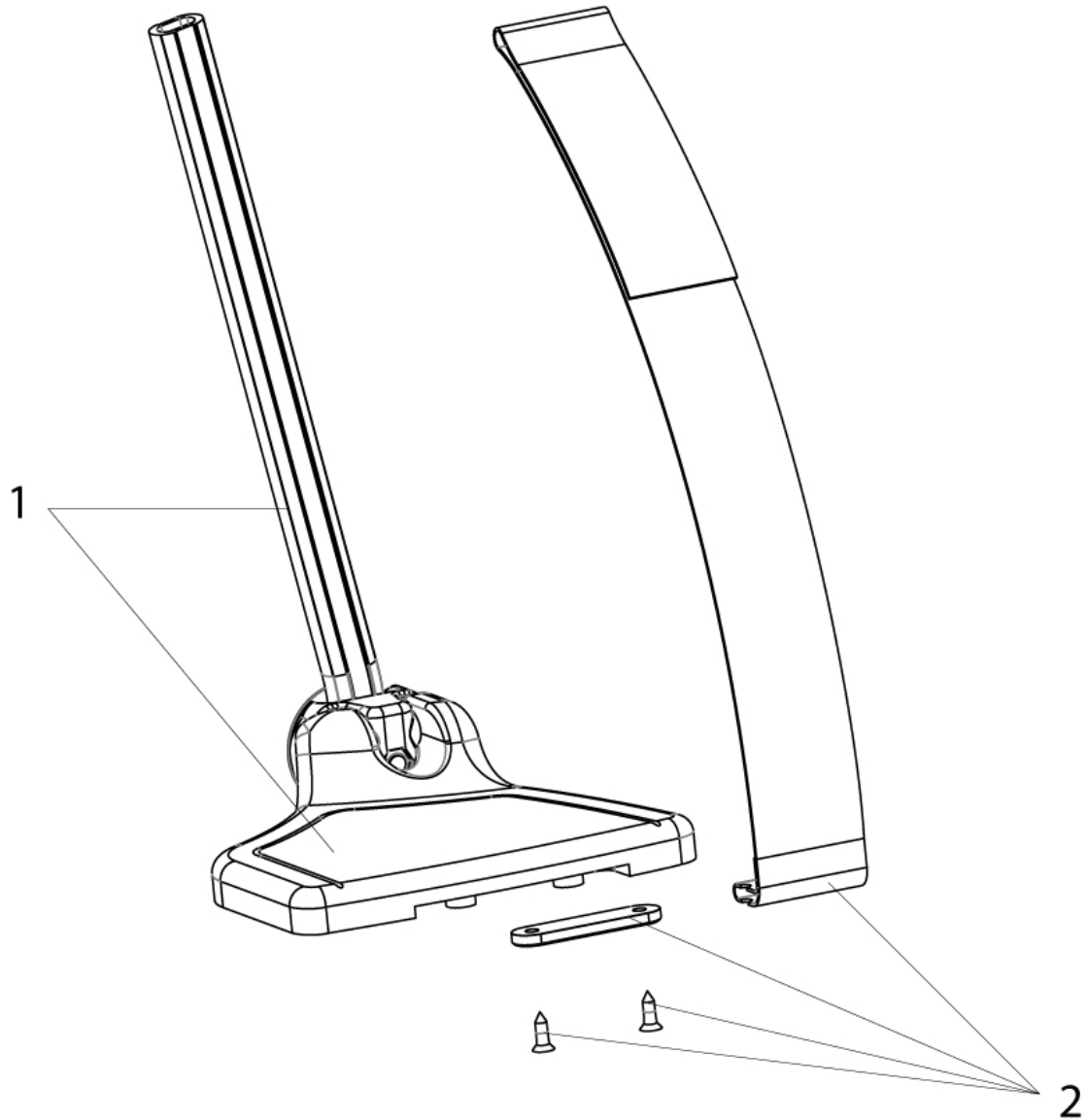
Footrest measuring overview

EASY Serie / series (160, 200/300, life, max)			
	Fußbrett, Kunststoff, durchgehend / Footboard, plastic, continuous	Fußbrett, Metall, geteilt / Footboard, metal, divided	Fußbrett, Metall, durchgehend / Footboard, metal, continuous
SB / SW	Fußbrettmaß / Footboard dimension (mm)		
38	157	106,3	257,6
40	157	106,3	277,6
42	182	116,3	297,6
44	182	116,3	317,6
46	207	146,3	337,6
48	207	146,3	357,6
50	207	146,3	377,6
52	207	146,3	397,6
54	207	146,3	NOGO

000691001

Pos	Item number	Description	Comment
-	000691001	Easy Serie (160, 200/300, Life, LifeR, max) Footboard measuring overview	

Plastic Footplate

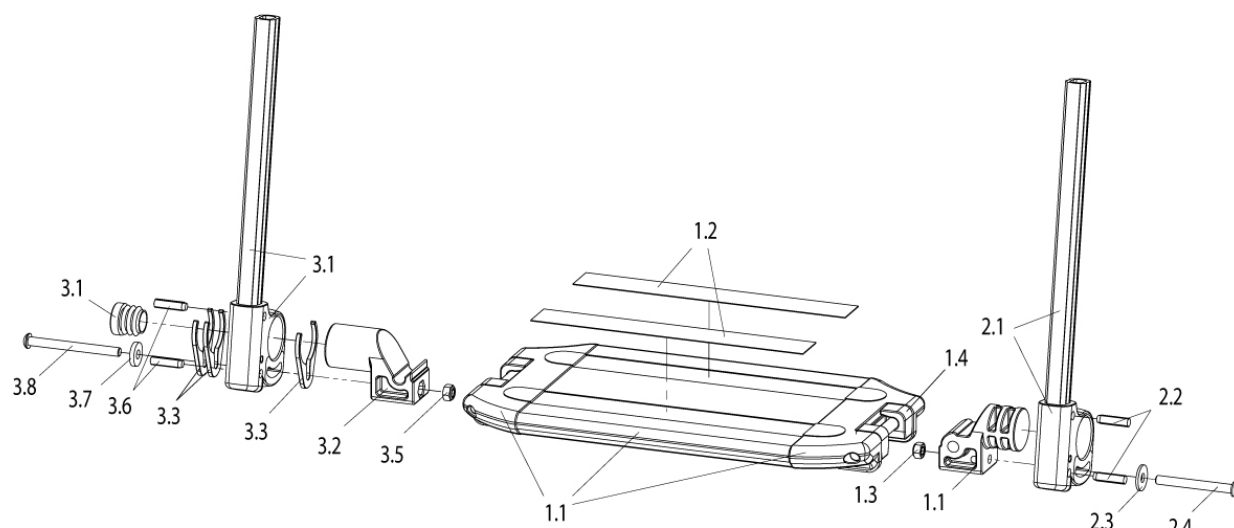


Pos	Item number	Description	Comment
-	064871-101	Plastic footplate 157 mm (with heel band & extention tube - SW 38 - 40.5 cm)	Pair
-	064871-011	Plastic footplate 157 mm (with heel band & extention tube - SW 38 - 40.5 cm)	LH
1 - 2	064871-021	Plastic footplate 157 mm (with heel band & extention tube - SW 38 - 40.5 cm)	RH
-	064871-102	Plastic footplate 182 mm (with heel band & extention tube - SW 43 - 45.5 cm)	Pair

Plastic Footplate

Pos	Item number	Description	Comment
-	064871-012	Plastic footplate 182 mm (with heel band & extention tube - SW 43 - 45.5 cm)	LH
1 - 2	064200-122	Plastic footplate 182 mm (with heel band & extention tube - SW 43 - 45.5 cm)	RH
-	064871-103	Plastic footplate 207 mm (with heel band & extention tube - SW 48 - 60 cm)	Pair
-	064871-013	Plastic footplate 207 mm (with heel band & extention tube - SW 48 - 60 cm)	LH
1 - 2	064871-023	Plastic footplate 207 mm (with heel band & extention tube - SW 48 - 60 cm)	RH
2	064914	Heel loop cpl.	

Continuous Footrest, metal

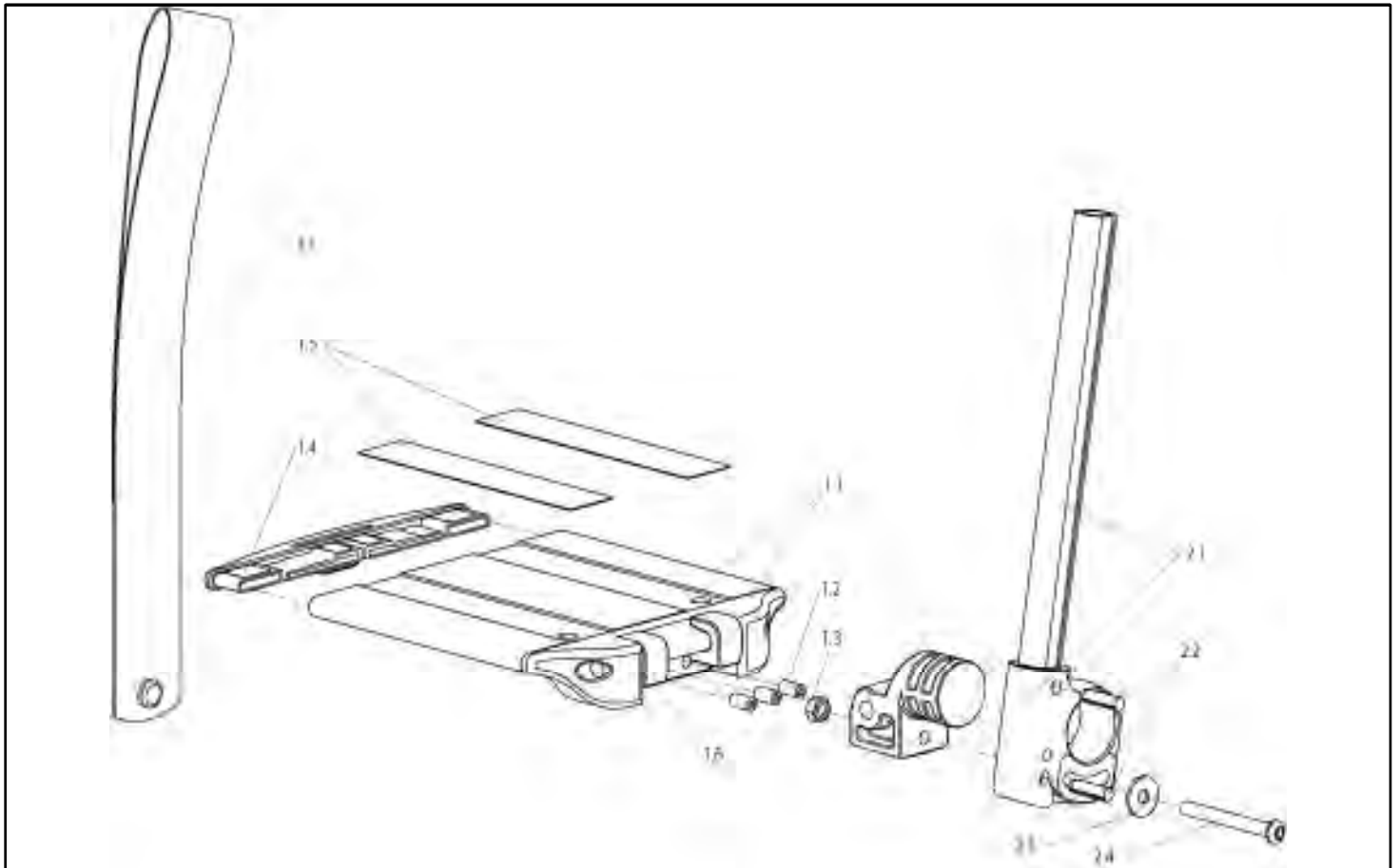


Pos	Item number	Description	Comment
1.1-3.8	762920130	Continuous Footboard, angle adjustable , metal cpl.	
1.1-1.4	762824147	Continuous Footboard, angle adjustable , metal	
1.2	000821167	Slip resistant coating (Only available by the metre. Please indicate quantity)	by meter
1.3	000128007-ET	Hex nut M 6 DIN 985	Pack of 25
1.4	760824032-ET	Clamp for footboard adjustment	Pack of 12
2.1-2.4	054200-312	Footrest tube with receiver cpl.	can be used right & left
2.2	000154012-ET	Pin 6 x 22 DIN 1473	Pack of 10
2.3	000130121-ET	Washer A 6,4 DIN 7349	Pack of 25
2.4	000104019-ET	Lens head screw M6 x 55, ISO 7380	25 pieces/pack
3.1-3.8	068200-110	Tube with adapter cpl.	
3.2-3.8	068833	Adapter kpl.	

Continous Footrest, metal

Pos	Item number	Description	Comment
3.3	068233-ET	Distance for length adjustment	6 pcs/pack
3.5	000128007-ET	Nut M6 DIN 985	
3.6	000154012-ET	Pin 6 x 22 DIN 1473	Pack of 6
3.7	000130121-ET	Washer A6,4 DIN 7349	Pack of 25
3.8	066900-011	Screw M6x65 - ISO7380	Pack of 10

Divided Footrest, metal

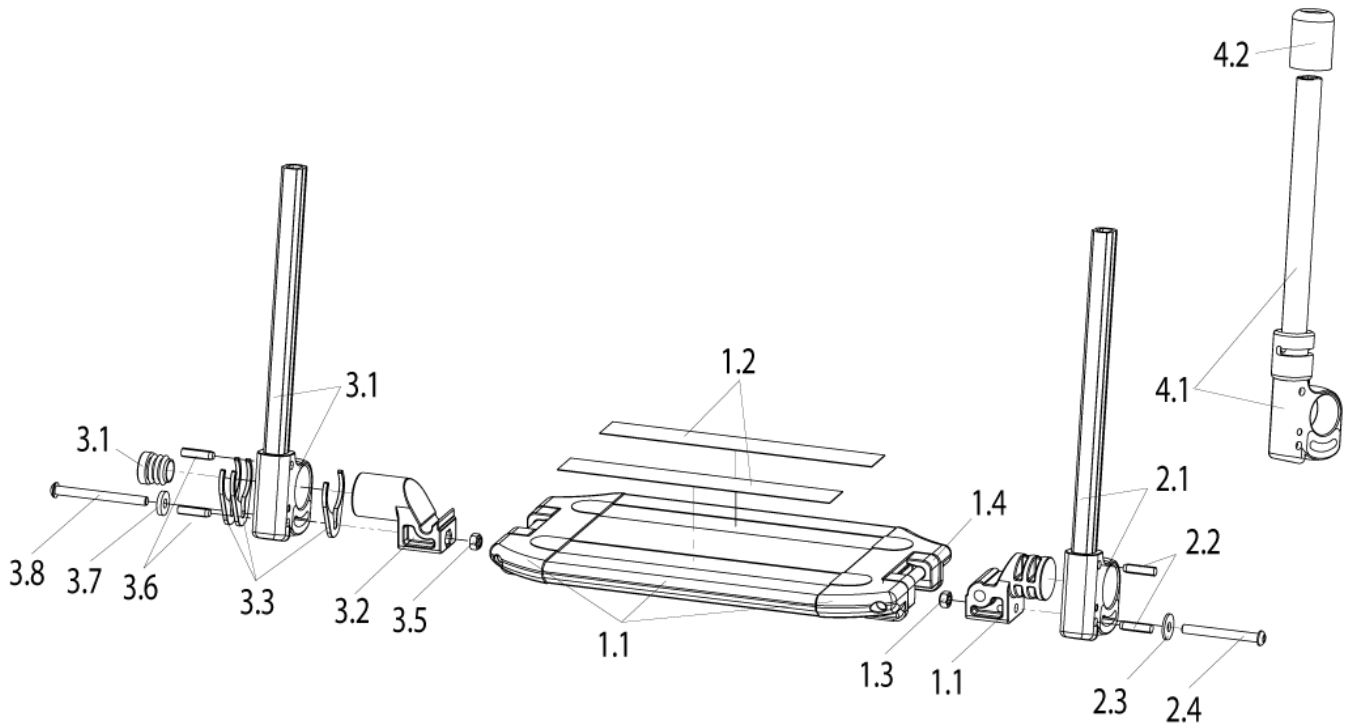


Pos	Item number	Description	Comment
1.1-3.1	762920110	Divided footrest with metal footplate and calf strap, complete, angle-adjustable	Pair
1.1-3.1	762820110	Divided footrest with metal footplate and calf strap, complete, angle-adjustable	RH
1.1-3.1	762720110	Divided footrest with metal footplate and calf strap, complete, angle-adjustable	LH
1.1-1.5	760824150	Divided Footboard without tube	
1.2	000105003-ET	Stud bolt M 6 x 12 DIN 916	Pack of 12
1.3	000128007-ET	Hex nut M 6 DIN 985	Pack of 25
1.4	054212	Tube Cap	
1.5	000821167	Slip resistant coating (only available by the meter. Please indicate quantity)	per meter
1.6	760824032-ET	Clamp for footboard adjustment	Pack of 12
2.1-2.4	054200-312	Footrest tube with receiver cpl.	can be used right & left
2.2	000154012-ET	Pin 6 x 22 DIN 1473	Pack of 10
2.3	000130121-ET	Washer A 6,4 DIN 7349	Pack of 25
2.4	000102314.01-ET	Oval-head screw M 6 x 55 with Torx drive	Pack of 25

Divided Footrest, metal

Pos	Item number	Description	Comment
3.1	760824031	Calf strap	can be used right & left

Platform footplate, angle and depth adj., aluminium

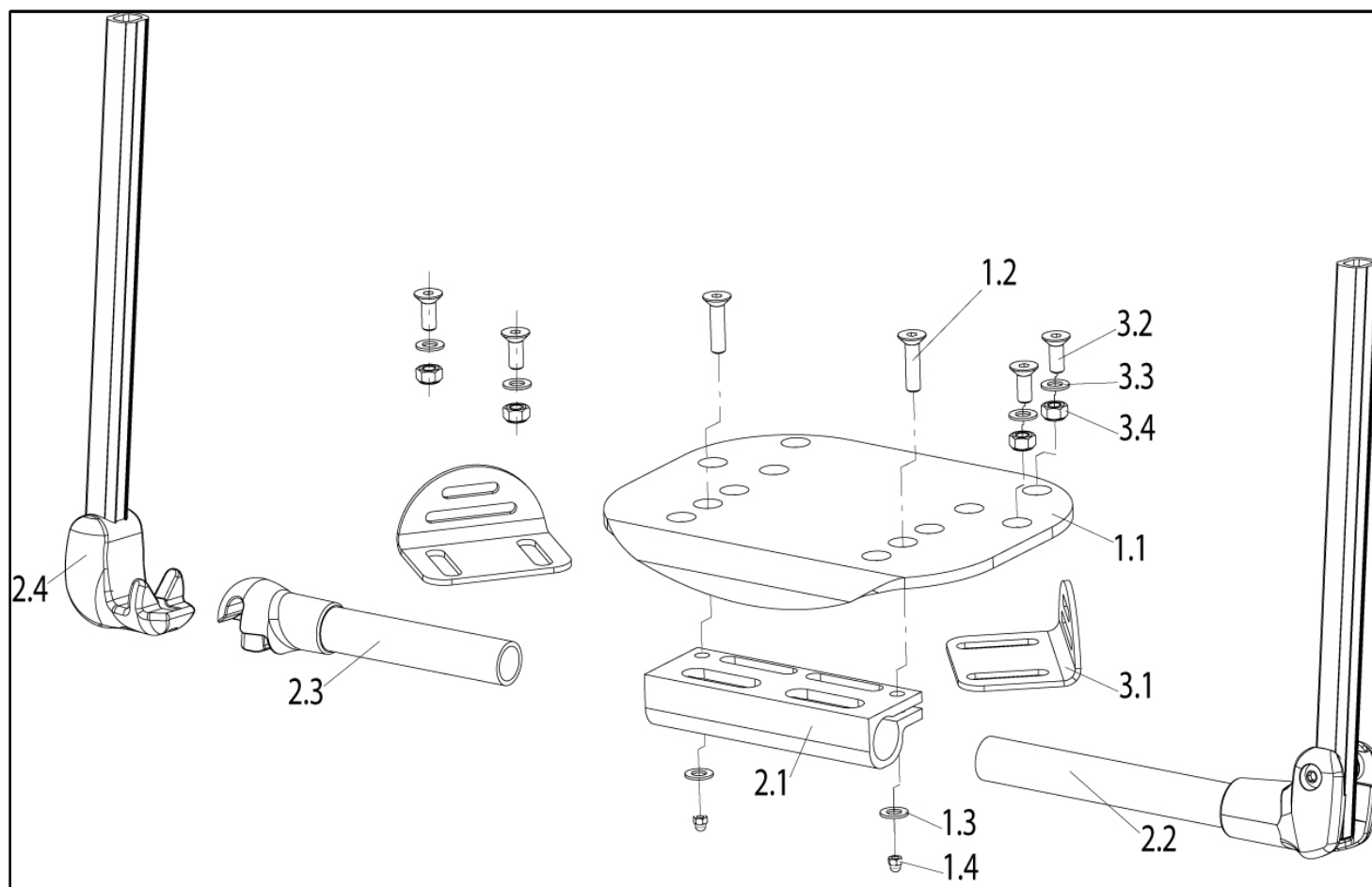


Pos	Item number	Description	Comment
1.1-3.8	84405110-000	Continuous Footboard, angle adjustable, aluminium cpl.	
1.1-1.4	762824147	Continuous Footboard, angle adjustable , metal	
1.2	000821167	Slip resistant coating (Only available by the metre. Please indicate quantity)	by meter
1.3	000128007-ET	Hex nut M 6 DIN 985	Pack of 25
1.4	760824032-ET	Clamp for footboard adjustment	Pack of 12
2.1-2.4	054200-312	Footrest tube with receiver cpl.	can be used right & left
2.2	000154012-ET	Pin 6 x 22 DIN 1473	Pack of 10
2.3	000130121-ET	Washer A 6,4 DIN 7349	Pack of 25
2.4	000104019-ET	Lens head screw M6 x 55, ISO 7380	25 pieces/pack
3.1-3.8	068200-110	Tube with adapter cpl.	
3.2-3.8	068833	Adapter kpl.	

Platform footplate, angle and depth adj., aluminium

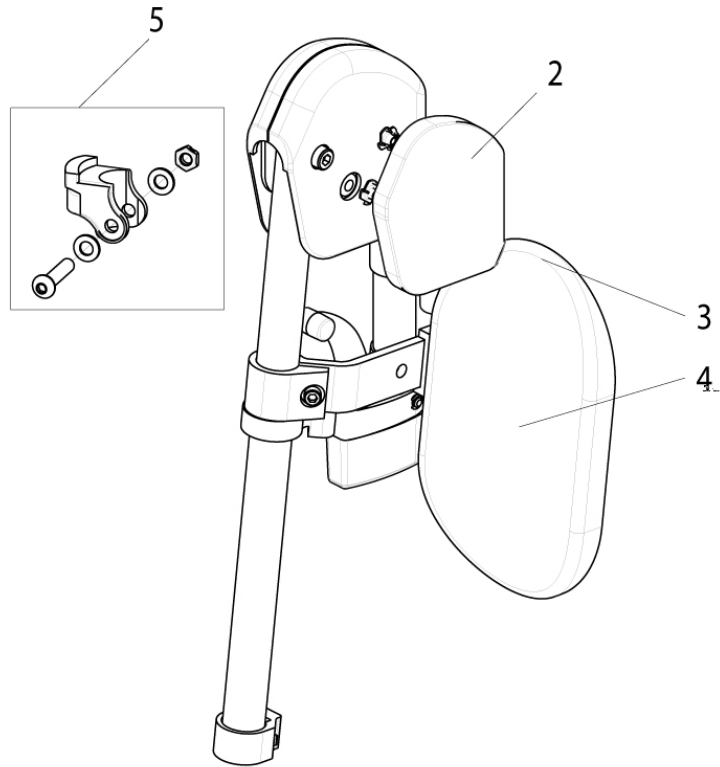
Pos	Item number	Description	Comment
3.3	068233-ET	Distance for length adjustment	6 pcs/pack
3.5	000128007-ET	Nut M6 DIN 985	
3.6	000154012-ET	Pin 6 x 22 DIN 1473	Pack of 6
3.7	000130121-ET	Washer A6,4 DIN 7349	Pack of 25
3.8	066900-011	Screw M6x65 - ISO7380	Pack of 25
4.1-4.2	054234-500	Footrest extension tube with swing-away mechanism cpl.	Paq. de 6
4.2	000282097-ET	PVC cover cap	6 pcs./pack

Platform footplate lightweight, composite, flip-up



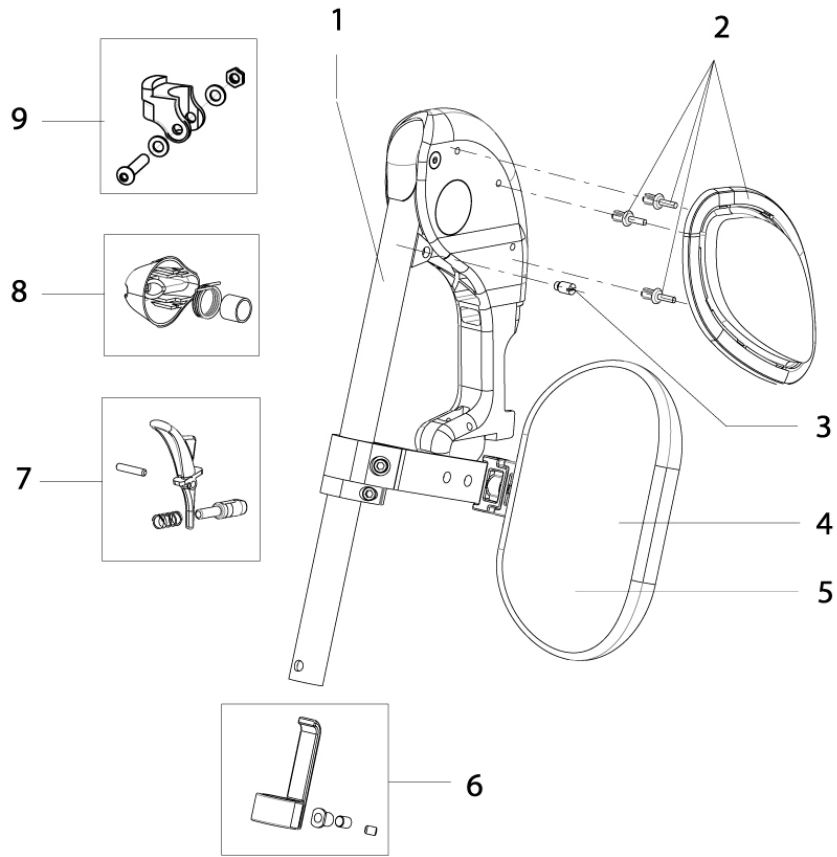
Pos	Item number	Description	Comment
1.1-2.4	068200-040	Platform footrest depth adj. footplate, Composite plate	
1.1-1.5	068813-000	Composite plate with mounting parts and anti slip sticker	
1.2-1.5, 2.1	06802227	Clamp for footplate	
2.1 - 2.4	068817-000	Platform footrest depth adj., without footplate	
2.2	068207-000	Footrest pivot, left side	
2.3 - 2.4	068205-100	Fork and receiver for cross tube, right side	
3.1 - 3.4	068890	Footrest Positioning Plate	2 pcs./pack
3.2	066902-001-ET	Counter sunk screw M 6 x 16 - DIN 7991	25 pcs./pack
3.3	058904-ET	Washer A 6,4 DIN 125	25 pcs./pack
3.4	058903-ET	Hex nut M 6 DIN 985	25 pcs./pack
	000821167	Slip resistant coating (only available by the metre. Please indicate quantity)	(per metres)

Elevating Leg Rest ELR (until week 19/2012)



Pos	Item number	Description	Comment
2	064250-001	Knee pad	RH
-	064250-002	Knee pad	LH
3 - 4	064924	Calf pad with cover	
4	064927	Calf pad cover	
5	072126	Mounting accessories used with ELR	LH/RH useable

Elevating Leg Rest ELR (starting week 20/2012)

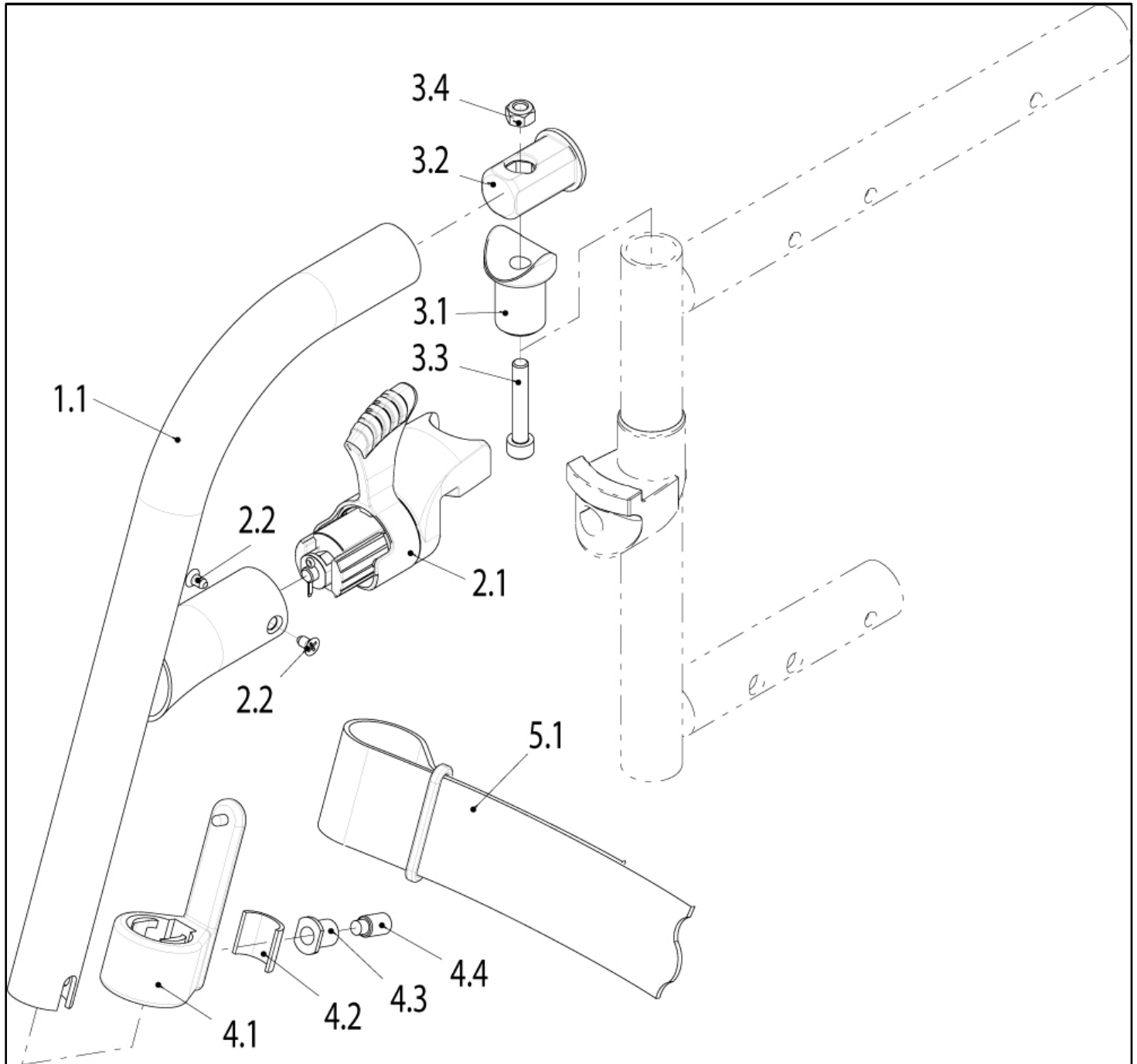


Pos	Item number	Description	Comment
-	072230	ELR-Footrest (w/o footplate)	Pair
-	072231	ELR-Footrest (w/o footplate)	LH, note: due to a production change one must order for wheelchairs manufactured prior 2012-03-20 a pair of ELR
1 - 9	072232	ELR-Footrest (w/o footplate)	RH, note: due to a production change one must order for wheelchairs manufactured prior 2012-03-20 a pair of ELR

Elevating Leg Rest ELR (starting week 20/2012)

Pos	Item number	Description	Comment
2	064766-000-ET	Knee pad	Pair
3	064855-ET	Headless screw	10 pcs./pack
4 - 5	064924	Calf pad with cover	
4	064927	Calf pad cover	
6	069942	Clamp used with footrest (incl. mounting accessories)	Pair
7	069940	Release lever cpl.	
8	069941	Release mechanism	
9	072126	Mounting accessories used with ELR	LH/RH useable

Footrest Xenon SA Version (starting week 44/2012)



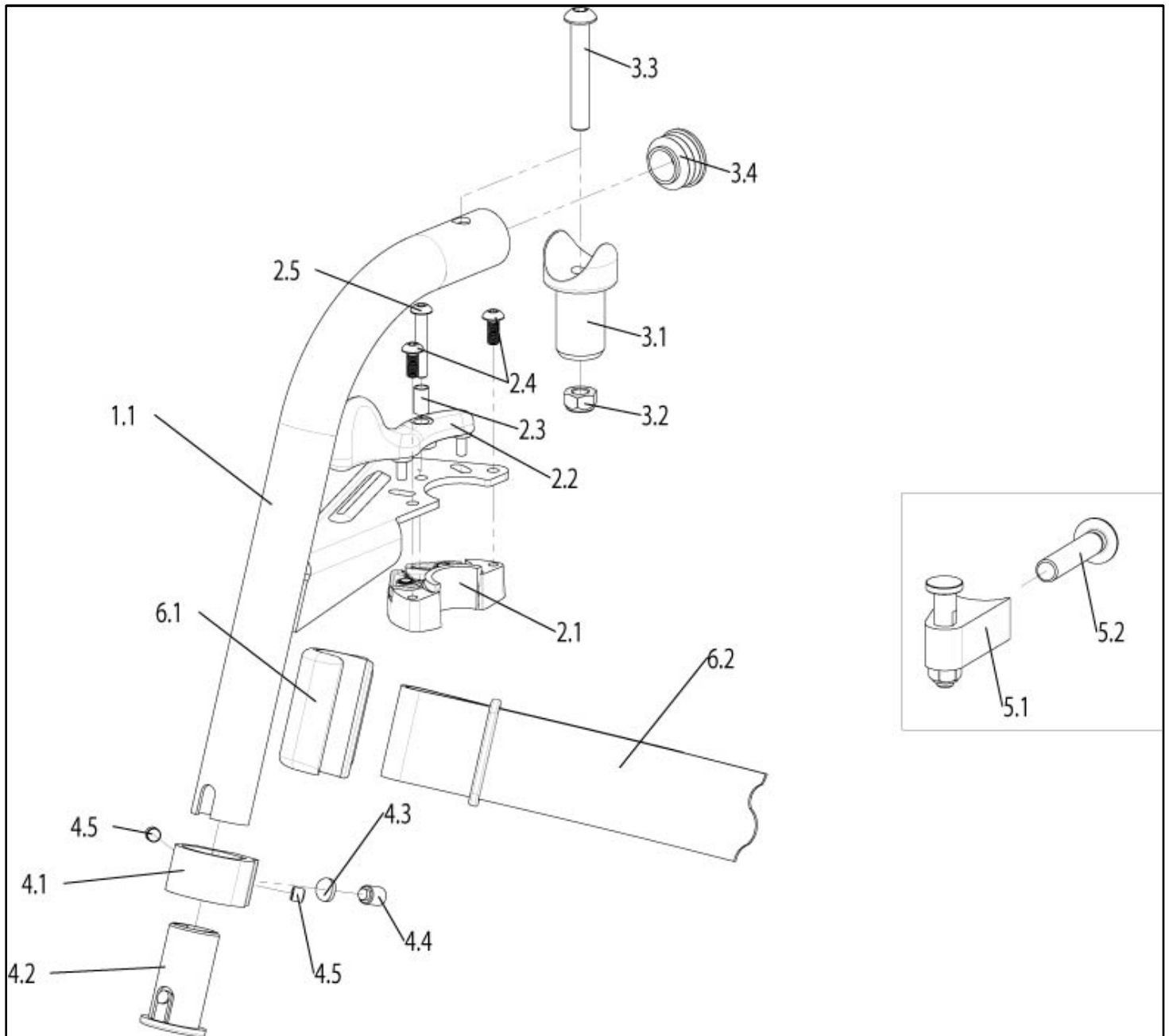
Pos	Item number	Description	Comment
1.1-4.4	072240-001	Hanger 70 degree complete brillantsilver (1 Side)	
1.1-4.4	072240-002	Hanger 80 degree complete brillantsilver (1Side)	
1.1-4.4	072241-001	Hanger 70 degree complete tutti frutti orange (1 Side)	
1.1-4.4	072241-002	Hanger 80 degree complete tutti frutti orange (1 Side)	
1.1-4.4	072242-001	Hanger 70 degree complete mattmarine (1 Side)	
1.1-4.4	072242-002	Hanger 80 degree complete mattmarine (1 Side)	
1.1-4.4	072243-001	Hanger 70 degree complete matted (1 Side)	

Footrest Xenon SA Version (starting week 44/2012)

Pos	Item number	Description	Comment
1.1-4.4	072243-002	Hanger 80 degree complete mattred (1 Side)	
1.1-4.4	072244-001	Hanger 70 degree complete black Side)	
1.1-4.4	072244-002	Hanger 80 degree complete black Side)	
1.1-4.4	072245-001	Hanger 70 degree complete white (1 Side)	
1.1-4.4	072245-002	Hanger 80 degree complete white (1 Side)	
1.1-4.4	072250-001	Hanger 70 degree complete Marsred (1 Side)	
1.1-4.4	072250-002	Hanger 80 degree complete Marsred (1Side)	
1.1-4.4	072251-001	Hanger 70 degree complete Dark Chocolate Metallic (1 Side)	
1.1-4.4	072251-002	Hanger 80 degree complete Dark Chocolate Metallic (1 Side)	
1.1-4.4	072252-001	Hanger 70 degree complete Brilliant Lime (1 Side)	
1.1-4.4	072252-002	Hanger 80 degree complete Brilliant Lime (1 Side)	
1.1-4.4	072253-001	Hanger 70 degree complete Matt Anthracite (1 Side)	
1.1-4.4	072253-002	Hanger 80 degree complete Matt Anthracite (1 Side)	
1.1-4.4	072254-001	Hanger 70 degree complete Cyan-Metallic (1 Side)	
1.1-4.4	072254-002	Hanger 80 degree complete Cyan-Metallic (1 Side)	
2.2	000114007-ET	Countersunk screw 3,5x8 10.9	25 pcs./pack
3.1-3.4	76705022	Swing Away equipment cpl.	left/right useable
3.3	103496-007-ET	Cheese Head Screw DIN 912 M8 x 30	Pack of 25
3.4	000128018-ET	Hex nut - DIN 985 - M8	Pack of 25
4.1 - 4.4	76705023	Calf strap Bracket with Footrestclamp complete (1Side)	
4.2	064918	Push joint for footrest assembly	Pack of 10
4.3	76705024	Nut for footrest assembly	pack of 2
4.4	066903-001-ET	Headless screw M8 x 16 DIN 915	Pack of 25
5.1	000813004	Calf strap SW 30 - 36 cm, complete	
5.1	000813006	Calf strap SW 38 - 54 cm, complete	
2.1-2.2	76705021	Locking mechanism complete	
1.1-4.4	07202001-001	Hanger Alu 70 Degree cpl. Mattsilver 450 (1 Side)	
1.1-4.4	07202001-002	Hanger Alu 80 Degree cpl. Mattsilver 450 (1 Side)	
1.1-4.4	07202002-001	Hanger Alu 70 Degree cpl. Silver (475) (1 Side)	
1.1-4.4	07202002-002	Hanger Alu 80 Degree cpl. Silver (475) (1 Side)	
1.1-4.4	07202003-001	Hanger Alu 70 Degree cpl. Sun Yellow 1018 (1 Side)	
1.1-4.4	07202003-002	Hanger Alu 80 Degree cpl. Sun Yellow 1018 (1 Side)	
1.1-4.4	07202004-001	Hanger Alu 70 Degree cpl. Matt lime (456) (1 Side)art	
1.1-4.4	07202004-002	Hanger Alu 80 Degree cpl. Matt lime (456) (1 Side)	
1.1-4.4	07202005-001	Hanger Alu 70 Degree cpl. Blue (5005) (1 Side)	
1.1-4.4	07202005-002	Hanger Alu 80 Degree cpl. Blue (5005) (1 Side)	
1.1-4.4	07202006-001	Hanger Alu 70 Degree cpl. Brillant marine (426) (1 Side)	
1.1-4.4	07202006-002	Hanger Alu 80 Degree cpl. Brillant marine (426) (1 Side)	
1.1-4.4	07202007-001	Hanger Alu 70 Degree cpl. Ruby Red (3003) (1 Side)	

Pos	Item number	Description	Comment
1.1-4.4	07202007-002	Hanger Alu 80 Degree cpl. Ruby Red (3003) (1 Side)	
1.1-4.4	07202008-001	Hanger Alu 70 Degree cpl. Brillant Red (420) (1 Side)	
1.1-4.4	07202008-002	Hanger Alu 80 Degree cpl. Brillant Red (420) (1 Side)	
1.1-4.4	07202009-001	Hanger Alu 70 Degree cpl. Silver Texture (300) (1 Side)	
1.1-4.4	07202009-002	Hanger Alu 80 Degree cpl. Silver Texture (300) (1 Side)	
1.1-4.4	07202010-001	Hanger Alu 70 Degree cpl. Graphitmetallic 414 (1 Side)	
1.1-4.4	07202010-002	Hanger Alu 80 Degree cpl. Graphitmetallic 414 (1 Side)	
1.1-4.4	07202011-001	Hanger Alu 70 Degree cpl. Platinmetallic 314 (1 Side)	
1.1-4.4	07202011-002	Hanger Alu 80 Degree cpl. Platinmetallic 314 (1 Side)	
1.1-4.4	07202012-001	Hanger Alu 70 Degree cpl. Matt black (9105) (1 Side)	
1.1-4.4	07202012-002	Hanger Alu 80 Degree cpl. Matt black (9105) (1 Side)	
1.1-4.4	07202013-001	Hanger Alu 70 Degree cpl. Signal white (9003) (1 Side)	
1.1-4.4	07202013-002	Hanger Alu 80 Degree cpl. Signal white (9003) (1 Side)	
1.1-4.4	07202014-001	Hanger Alu 70 Degree cpl. Pink (4010) (1 Side)	
1.1-4.4	07202014-002	Hanger Alu 80 Degree cpl. Pink (4010) (1 Side)	
1.1-4.4	07202015-001	Hanger Alu 70 Degree cpl. Sky Blue (319) (1 Side)	
1.1-4.4	07202015-002	Hanger Alu 80 Degree cpl. Sky Blue (319) (1 Side)	
1.1-4.4	07202016-001	Hanger Alu 70 Degree cpl. Capuccino (320) (1 Side)	
1.1-4.4	07202016-002	Hanger Alu 80 Degree cpl. Capuccino (320) (1 Side)	
1.1-4.4	07202017-001	Hanger Alu 70 Degree cpl. Kiwi (321) (1 Side)	
1.1-4.4	07202017-002	Hanger Alu 80 Degree cpl. Kiwi (321) (1 Side)	
1.1-4.4	07202018-001	Hanger Alu 70 Degree cpl. Flamingo-Glitter (322) (1 Side)	
1.1-4.4	07202018-002	Hanger Alu 80 Degree cpl. Flamingo-Glitter (322) (1 Side)	
1.1-4.4	07202019-001	Hanger Alu 70 Degree cpl. Azuri Blue 424 (1 Side)	
1.1-4.4	07202019-002	Hanger Alu 80 Degree cpl. Azuri Blue 424 (1 Side)	
1.1-4.4	07202020-001	Hanger Alu 70 Degree cpl. Matt Purple 424 (1 Side)	
1.1-4.4	07202020-002	Hanger Alu 80 Degree cpl. Matt Purple 424 (1 Side)	
1.1-4.4	07202021-001	Hanger Alu 70 Degree cpl. Brillant Purple 424 (1 Side)	
1.1-4.4	07202021-002	Hanger Alu 80 Degree cpl. Brillant Purple 424 (1 Side)	

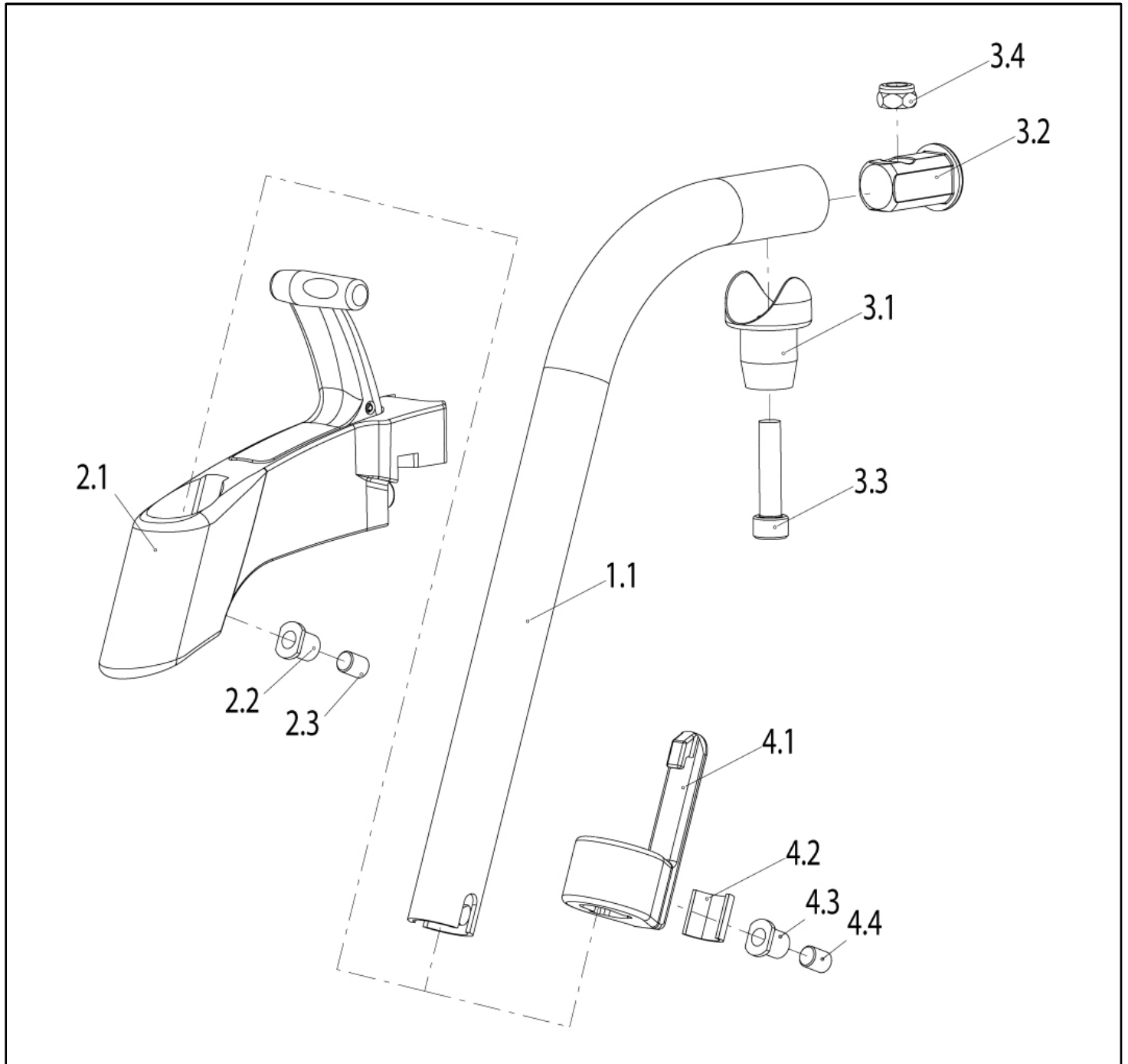
Footrest Quickie Version (until week 43/2012)



Pos	Item number	Description	Comment
1.1-4.5	072212-001	Quickie Hanger 70°, complete left, colored	
1.1-4.5	072212-002	Quickie Hanger 70°, complete right colored	
1.1-4.5	072214-001	Quickie Hanger 80°, complete left colored	
1.1-4.5	072214-002	Quickie Hanger 80°, complete right colored	
2.1-2.5	072207-001	Locking mechanism complete, left	
2.1-2.5	072207-002	Locking mechanism complete right	
2.4	102259-001-ET	Lens head screw M5 x 12, Tuflock - ISO 7380	Pack of 25
2.5	230494-ET	Screw - M5x30 - ISO7380	Pack of 25

Pos	Item number	Description	Comment
3.1-3.4	072211	Hanger Pin complete	
3.2	000128018-ET	Hex nut M 8 DIN 985	Pack of 25
3.3	103186-013-ET	Screw- M8x55 - ISO7380	Pack of 25
3.4	561062	Tube Cap D24,5	
4.1-4.5	072216	Foodboard clamp complete	
5.1-5.2	072125	Support with fitting QUICKIE Hanger	
5.2	000104110-ET	Oval-head screw M8 x 45 ISO 7380 10.9	Pack of 25
6.1-6.2	762813003	Calf strap kpl SW 32-36	
6.1-6.2	762813005	Calf strap kpl SW 38-50	
6.1	760812011-ET	Bracket for Calf strap	Pack of 6
6.2	000813003	Calf strap SW32-36	
6.2	000813005	Calf strap SW38-50	

Footrest Plastic Version 70° (starting week 51/2012)



Pos	Item number	Description	Comment
1.1-4.4	072260-001	Plastic Hanger complete left, 70° brilliantsilver	1 St./Pkg.
1.1-4.4	072260-002	Plastic Hanger complete right, 70° brilliantsilver	Note: on wheelchairs manufactured prior week 50/2012 one must replace hangers cpl.

Pos	Item number	Description	Comment
1.1-4.4	072261-001	Plastic Hanger complete left, 70° orange	Note: on wheelchairs manufactured prior week 50/2012 one must replace hangers cpl.
1.1-4.4	072261-002	Plastic Hanger complete right, 70° orange	Note: on wheelchairs manufactured prior week 50/2012 one must replace hangers cpl.
1.1-4.4	072262-001	Plastic Hanger complete left, 70° mattmarine	Note: on wheelchairs manufactured prior week 50/2012 one must replace hangers cpl.
1.1-4.4	072262-002	Plastic Hanger complete right, 70° mattmarine	Note: on wheelchairs manufactured prior week 50/2012 one must replace hangers cpl.
1.1-4.4	072263-001	Plastic Hanger complete left, 70° matted	Note: on wheelchairs manufactured prior week 50/2012 one must replace hangers cpl.
1.1-4.4	072263-002	Plastic Hanger complete right, 70° matted	Note: on wheelchairs manufactured prior week 50/2012 one must replace hangers cpl.
1.1-4.4	072264-001	Plastic Hanger complete left, 70° black	Note: on wheelchairs manufactured prior week 50/2012 one must replace hangers cpl.
1.1-4.4	072264-002	Plastic Hanger complete right, 70° black	Note: on wheelchairs manufactured prior week 50/2012 one must replace hangers cpl.
1.1-4.4	072265-001	Plastic Hanger complete left, 70° white	Note: on wheelchairs manufactured prior week 50/2012 one must replace hangers cpl.

Footrest Plastic Version 70° (starting week 51/2012)

Pos	Item number	Description	Comment
1.1-4.4	072265-002	Plastic Hanger complete right, 70° white	Note: on wheelchairs manufactured prior week 50/2012 one must replace hangers cpl.
1.1-4.4	072280-001	Plastic Hanger complete left, 70° Marsred	Note: on wheelchairs manufactured prior week 50/2012 one must replace hangers cpl.
1.1-4.4	072280-002	Plastic Hanger complete right, 70° Marsred	Note: on wheelchairs manufactured prior week 50/2012 one must replace hangers cpl.
1.1-4.4	072281-001	Plastic Hanger complete left, 70° Dark Chocolate Metallic	Note: on wheelchairs manufactured prior week 50/2012 one must replace hangers cpl.
1.1-4.4	072281-002	Plastic Hanger complete right, 70° Dark Chocolate Metallic	Note: on wheelchairs manufactured prior week 50/2012 one must replace hangers cpl.
1.1-4.4	072282-001	Plastic Hanger complete left, 70° Brilliant Lime	Note: on wheelchairs manufactured prior week 50/2012 one must replace hangers cpl.
1.1-4.4	072282-002	Plastic Hanger complete right, 70° Brilliant Lime	Note: on wheelchairs manufactured prior week 50/2012 one must replace hangers cpl.
1.1-4.4	072283-001	Plastic Hanger complete left, 70° Matt Anthracite	Note: on wheelchairs manufactured prior week 50/2012 one must replace hangers cpl.
1.1-4.4	072283-002	Plastic Hanger complete right, 70° Matt Anthracite	Note: on wheelchairs manufactured prior week 50/2012 one must replace hangers cpl.

Pos	Item number	Description	Comment
1.1-4.4	072284-001	Plastic Hanger complete left, 70° Cyan-Metallic	Note: on wheelchairs manufactured prior week 50/2012 one must replace hangers cpl.
1.1-4.4	072284-002	Plastic Hanger complete right, 70° Cyan-Metallic	Note: on wheelchairs manufactured prior week 50/2012 one must replace hangers cpl.
2.1-2.3	067929-001	Hanger Housing 70° complete left	Note: on wheelchairs manufactured prior week 50/2012 one must replace hangers cpl.
2.1-2.3	067929-002	Hanger Housing 70° complete right	Note: on wheelchairs manufactured prior week 50/2012 one must replace hangers cpl.
3.1-3.4	072208	Hanger Pin complete	
4.1-4.4	76705023	Calf strap Bracket with Footrestclamp complete (1Side)	Note: on wheelchairs manufactured prior week 50/2012 one must replace hangers cpl.
1.1-4.4	07202201-001	Plastic Hanger complete left, 70° MattSilver (450)	Note: on wheelchairs manufactured prior week 50/2012 one must replace hangers cpl.
1.1-4.4	07202202-001	Plastic Hanger complete left, 70° Silver (475)	Note: on wheelchairs manufactured prior week 50/2012 one must replace hangers cpl.
1.1-4.4	07202203-001	Plastic Hanger complete left, 70° Sun Yellow 1018	Note: on wheelchairs manufactured prior week 50/2012 one must replace hangers cpl.

Footrest Plastic Version 70° (starting week 51/2012)

Pos	Item number	Description	Comment
1.1-4.4	07202204-001	Plastic Hanger complete left, 70° Matt lime (456)	Note: on wheelchairs manufactured prior week 50/2012 one must replace hangers cpl.
1.1-4.4	07202205-001	Plastic Hanger complete left, 70° blue (5005)	Note: on wheelchairs manufactured prior week 50/2012 one must replace hangers cpl.
1.1-4.4	07202206-001	Plastic Hanger complete left, 70° Brillant marine	Note: on wheelchairs manufactured prior week 50/2012 one must replace hangers cpl.
1.1-4.4	07202207-001	Plastic Hanger complete left, 70° Ruby red (3003)	Note: on wheelchairs manufactured prior week 50/2012 one must replace hangers cpl.
1.1-4.4	07202208-001	Plastic Hanger complete left, 70° Brillant red(420)	Note: on wheelchairs manufactured prior week 50/2012 one must replace hangers cpl.
1.1-4.4	07202209-001	Plastic Hanger complete left, 70° Silver texture(300)	Note: on wheelchairs manufactured prior week 50/2012 one must replace hangers cpl.
1.1-4.4	07202210-001	Plastic Hanger complete left, 70° Graphitmetallic414	Note: on wheelchairs manufactured prior week 50/2012 one must replace hangers cpl.
1.1-4.4	07202211-001	Plastic Hanger complete left, 70° Platinmetallic 314	Note: on wheelchairs manufactured prior week 50/2012 one must replace hangers cpl.
1.1-4.4	07202212-001	Plastic Hanger complete left, 70° Matt black(9005)	Note: on wheelchairs manufactured prior week 50/2012 one must replace hangers cpl.

Pos	Item number	Description	Comment
1.1-4.4	07202213-001	Plastic Hanger complete left, 70° Signal withe(9003)	Note: on wheelchairs manufactured prior week 50/2012 one must replace hangers cpl.
1.1-4.4	07202214-001	Plastic Hanger complete left, 70° Pink (4010)	Note: on wheelchairs manufactured prior week 50/2012 one must replace hangers cpl.
1.1-4.4	07202215-001	Plastic Hanger complete left, 70° Sky Blue (319)	Note: on wheelchairs manufactured prior week 50/2012 one must replace hangers cpl.
1.1-4.4	07202216-001	Plastic Hanger complete left, 70° Capuccino (320)	Note: on wheelchairs manufactured prior week 50/2012 one must replace hangers cpl.
1.1-4.4	07202217-001	Plastic Hanger complete left, 70° Kiwi (321)	Note: on wheelchairs manufactured prior week 50/2012 one must replace hangers cpl.
1.1-4.4	07202218-001	Plastic Hanger complete left, 70° FlamingoGlitter322	Note: on wheelchairs manufactured prior week 50/2012 one must replace hangers cpl.
1.1-4.4	07202219-001	Plastic Hanger complete left, 70° Azuri Blue 424	Note: on wheelchairs manufactured prior week 50/2012 one must replace hangers cpl.
1.1-4.4	07202220-001	Plastic Hanger complete left, 70° Mattpurple (454)	Note: on wheelchairs manufactured prior week 50/2012 one must replace hangers cpl.
1.1-4.4	07202221-001	Plastic Hanger complete left, 70° Brilliantpurple (423)	Note: on wheelchairs manufactured prior week 50/2012 one must replace hangers cpl.

Footrest Plastic Version 70° (starting week 51/2012)

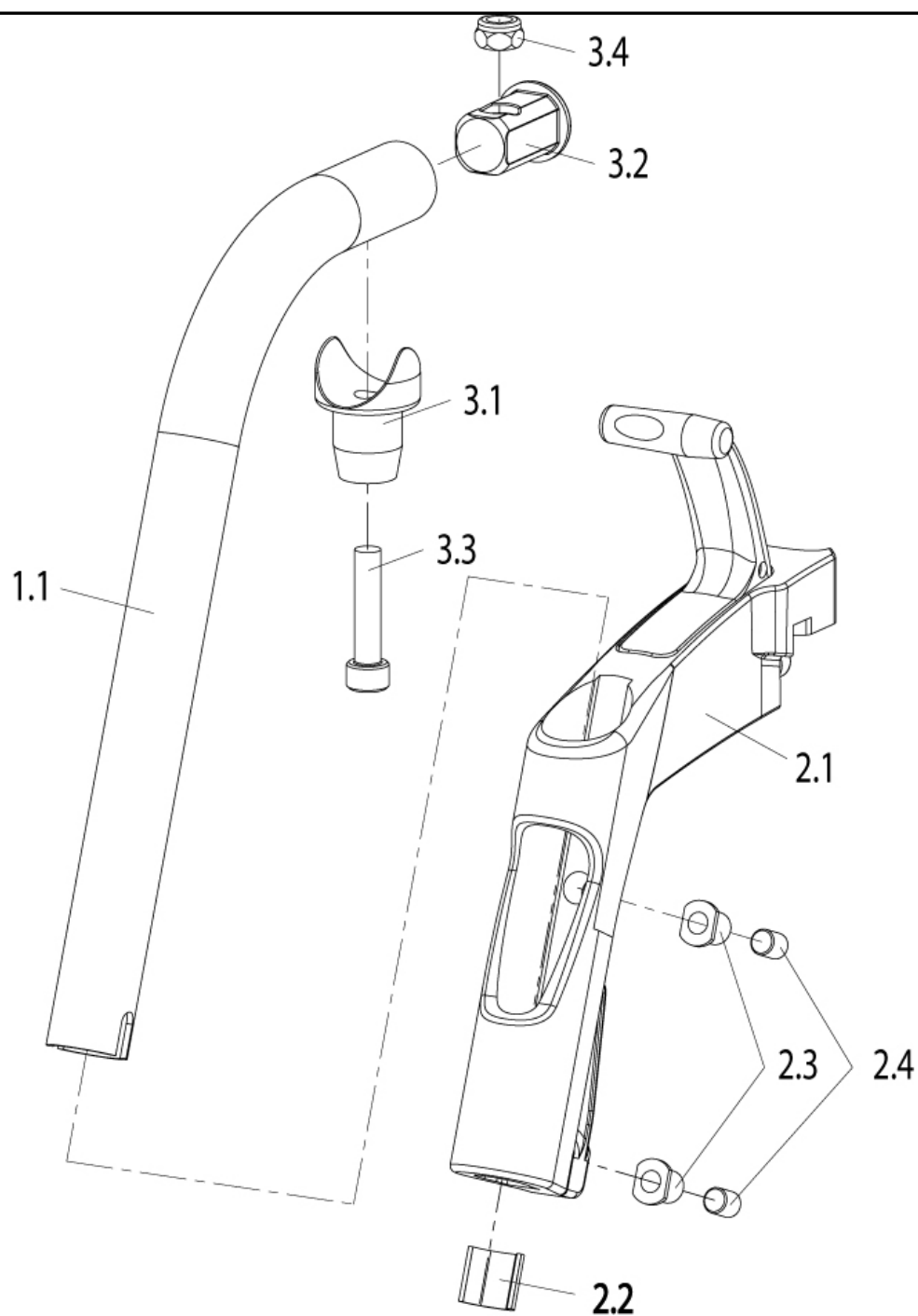
Pos	Item number	Description	Comment
1.1-4.4	07202201-002	Plastic Hanger complete right, 70° MattSilver (450)	Note: on wheelchairs manufactured prior week 50/2012 one must replace hangers cpl.
1.1-4.4	07202202-002	Plastic Hanger complete right, 70° Silver (475)	Note: on wheelchairs manufactured prior week 50/2012 one must replace hangers cpl.
1.1-4.4	07202203-002	Plastic Hanger complete right, 70° Sun Yellow 1018	Note: on wheelchairs manufactured prior week 50/2012 one must replace hangers cpl.
1.1-4.4	07202204-002	Plastic Hanger complete right, 70° Matt lime (456)	Note: on wheelchairs manufactured prior week 50/2012 one must replace hangers cpl.
1.1-4.4	07202205-002	Plastic Hanger complete right, 70° blue (5005)	Note: on wheelchairs manufactured prior week 50/2012 one must replace hangers cpl.
1.1-4.4	07202206-002	Plastic Hanger complete right, 70° Brillant marine	Note: on wheelchairs manufactured prior week 50/2012 one must replace hangers cpl.
1.1-4.4	07202207-002	Plastic Hanger complete right, 70° Ruby red (3003)	Note: on wheelchairs manufactured prior week 50/2012 one must replace hangers cpl.
1.1-4.4	07202208-002	Plastic Hanger complete right, 70° Brillant red(420)	Note: on wheelchairs manufactured prior week 50/2012 one must replace hangers cpl.
1.1-4.4	07202209-002	Plastic Hanger complete right, 70° Silver texture(300)	Note: on wheelchairs manufactured prior week 50/2012 one must replace hangers cpl.

Pos	Item number	Description	Comment
1.1-4.4	07202210-002	Plastic Hanger complete right, 70° Graphitmetallic414	Note: on wheelchairs manufactured prior week 50/2012 one must replace hangers cpl.
1.1-4.4	07202211-002	Plastic Hanger complete right, 70° Platinmetallic 314	Note: on wheelchairs manufactured prior week 50/2012 one must replace hangers cpl.
1.1-4.4	07202212-002	Plastic Hanger complete right, 70° Matt black(9005)	Note: on wheelchairs manufactured prior week 50/2012 one must replace hangers cpl.
1.1-4.4	07202213-002	Plastic Hanger complete right, 70° Signal withe(9003)	Note: on wheelchairs manufactured prior week 50/2012 one must replace hangers cpl.
1.1-4.4	07202214-002	Plastic Hanger complete right, 70° Pink (4010)	Note: on wheelchairs manufactured prior week 50/2012 one must replace hangers cpl.
1.1-4.4	07202215-002	Plastic Hanger complete right, 70° Sky Blue (319)	Note: on wheelchairs manufactured prior week 50/2012 one must replace hangers cpl.
1.1-4.4	07202216-002	Plastic Hanger complete right, 70° Capuccino (320)	Note: on wheelchairs manufactured prior week 50/2012 one must replace hangers cpl.
1.1-4.4	07202217-002	Plastic Hanger complete right, 70° Kiwi (321)	Note: on wheelchairs manufactured prior week 50/2012 one must replace hangers cpl.
1.1-4.4	07202218-002	Plastic Hanger complete right, 70° FlamingoGlitter322	Note: on wheelchairs manufactured prior week 50/2012 one must replace hangers cpl.

Footrest Plastic Version 70° (starting week 51/2012)

Pos	Item number	Description	Comment
1.1-4.4	07202219-002	Plastic Hanger complete right, 70° Azuri Blue 424	Note: on wheelchairs manufactured prior week 50/2012 one must replace hangers cpl.
1.1-4.4	07202220-002	Plastic Hanger complete right, 70° Mattpurple (454)	Note: on wheelchairs manufactured prior week 50/2012 one must replace hangers cpl.
1.1-4.4	07202221-002	Plastic Hanger complete right, 70° Brilliantpurple (423)	Note: on wheelchairs manufactured prior week 50/2012 one must replace hangers cpl.
4.4	000105005-ET	Headless screw M8x10, DIN913	10 pcs/pack

Footrest Plastic Version 80°



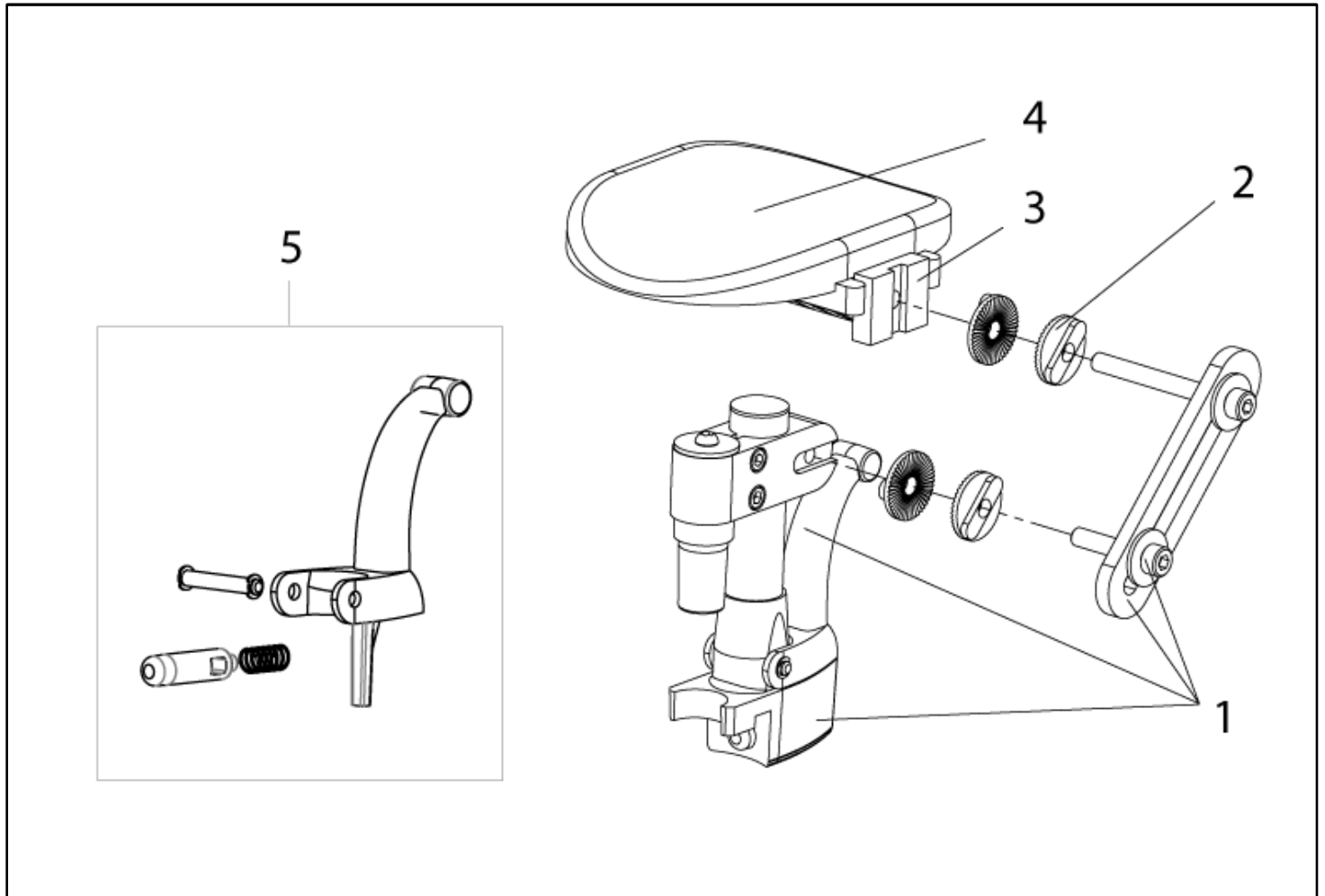
Pos	Item number	Description
1.1-3.4	072270-001	Plastic Hanger complete left, 80° silver
1.1-3.4	072270-002	Plastic Hanger complete right, 80° silver
1.1-3.4	072771-001	Plastic Hanger complete left, 80° orange
1.1-3.4	072271-002	Plastic Hanger complete right, 80° orange
1.1-3.4	072272-001	Plastic Hanger complete left, 80° mattmarine
1.1-3.4	072272-002	Plastic Hanger complete right, 80° mattmarine

Footrest Plastic Version 80°

Pos	Item number	Description
1.1-3.4	072273-001	Plastic Hanger complete left, 80° matted
1.1-3.4	072273-002	Plastic Hanger complete right, 80° matted
1.1-3.4	072274-001	Plastic Hanger complete left, 80° black
1.1-3.4	072274-002	Plastic Hanger complete right, 80° black
1.1-3.4	072275-001	Plastic Hanger complete left, 80° white
1.1-3.4	072275-002	Plastic Hanger complete right, 80° white
1.1-3.4	072290-001	Plastic Hanger complete left, 80° Marsred
1.1-3.4	072290-002	Plastic Hanger complete right, 80° Marsred
1.1-3.4	072291-001	Plastic Hanger complete left, 80° Dark Chocolate Metallic
1.1-3.4	072291-002	Plastic Hanger complete right, 80° Dark Chocolate Metallic
1.1-3.4	072292-001	Plastic Hanger complete left, 80° Brilliant Lime
1.1-3.4	072292-002	Plastic Hanger complete right, 80° Brilliant Lime
1.1-3.4	072293-001	Plastic Hanger complete left, 80° Matt Anthracite
1.1-3.4	072293-002	Plastic Hanger complete right, 80° Matt Anthracite
1.1-3.4	072294-001	Plastic Hanger complete left, 80° Cyan-Metallic
1.1-3.4	072294-002	Plastic Hanger complete right, 80° Cyan-Metallic
2.1-2.4	065205-001	Hanger Housing 80° complete right
2.1-2.4	065205-002	Hanger Housing 80° complete left
3.1-3.4	072208	Hanger Pin complete
1.1-3.4	07202101-001	Plastic Hanger complete left, 80° MattSilver (450)
1.1-3.4	07202102-001	Plastic Hanger complete left, 80° Silver (475)
1.1-3.4	07202103-001	Plastic Hanger complete left, 80° Sun Yellow 1018
1.1-3.4	07202104-001	Plastic Hanger complete left, 80° Matt lime (456)
1.1-3.4	07202105-001	Plastic Hanger complete left, 80° blue (5005)
1.1-3.4	07202106-001	Plastic Hanger complete left, 80° Brillant marine
1.1-3.4	07202107-001	Plastic Hanger complete left, 80° Ruby red (3003)
1.1-3.4	07202108-001	Plastic Hanger complete left, 80° Brillant red (420)
1.1-3.4	07202109-001	Plastic Hanger complete left, 80° Silver texture (300)
1.1-3.4	07202110-001	Plastic Hanger complete left, 80° Graphitmetallic414
1.1-3.4	07202111-001	Plastic Hanger complete left, 80° Platinmetallic 314
1.1-3.4	07202112-001	Plastic Hanger complete left, 80° Matt black(9005)
1.1-3.4	07202113-001	Plastic Hanger complete left, 80° Signal withe(9003)
1.1-3.4	07202114-001	Plastic Hanger complete left, 80° Pink (4010)
1.1-3.4	07202115-001	Plastic Hanger complete left, 80° Sky Blue (319)
1.1-3.4	07202116-001	Plastic Hanger complete left, 80° Capuccino (320)
1.1-3.4	07202117-001	Plastic Hanger complete left, 80° Kiwi (321)
1.1-3.4	07202118-001	Plastic Hanger complete left, 80° FlamingoGlitter322
1.1-3.4	07202119-001	Plastic Hanger complete left, 80° Azuri Blue 424
1.1-3.4	07202120-001	Plastic Hanger complete left, 80° Mattpurple(454)

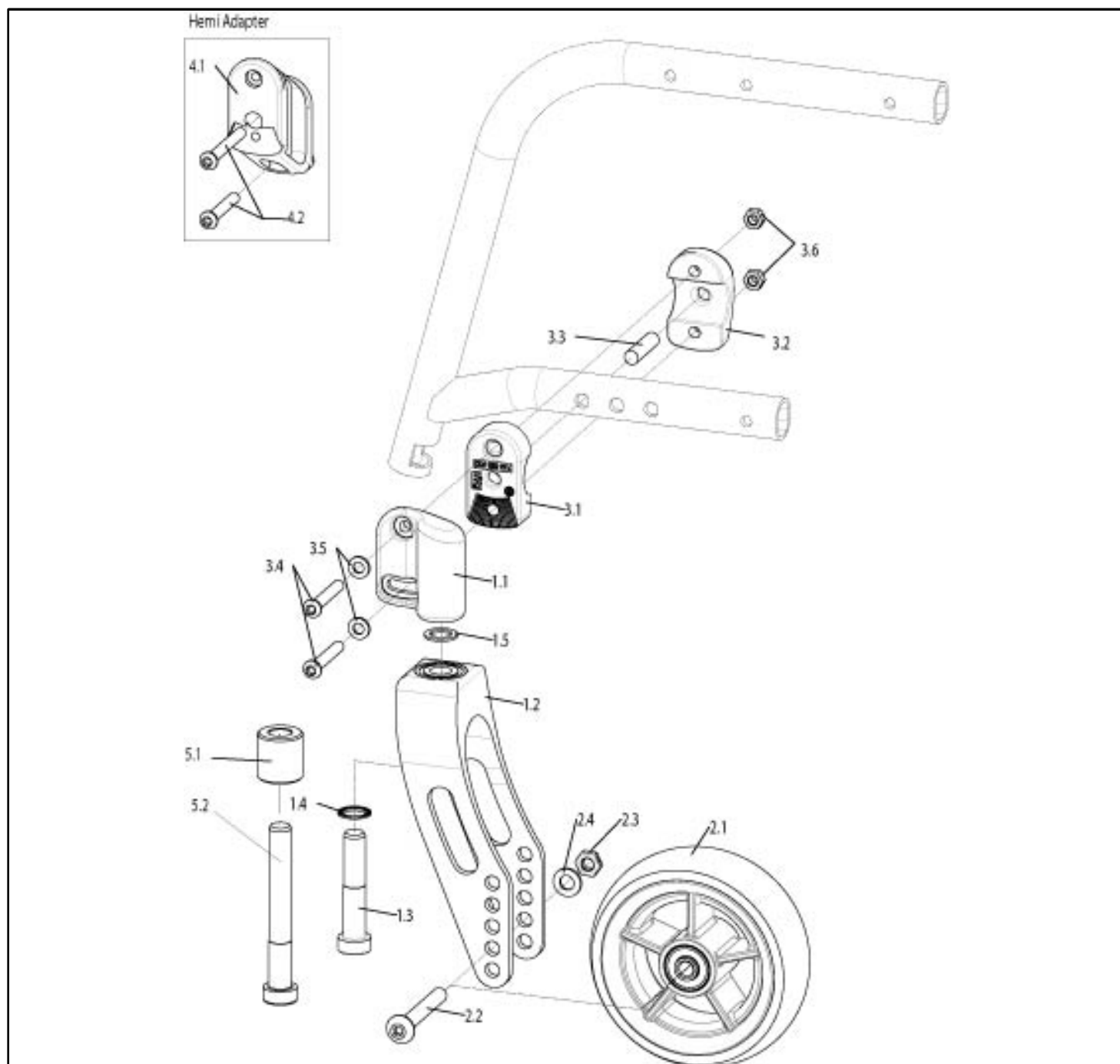
Pos	Item number	Description
1.1-3.4	07202121-001	Plastic Hanger complete left, 80° Brilliantpurple (423)
1.1-3.4	07202101-002	Plastic Hanger complete right, 80° MattSilver (450)
1.1-3.4	07202102-002	Plastic Hanger complete right, 80° Silver (475)
1.1-3.4	07202103-002	Plastic Hanger complete right, 80° Sun Yellow 1018
1.1-3.4	07202104-002	Plastic Hanger complete right, 80° Matt lime (456)
1.1-3.4	07202105-002	Plastic Hanger complete right, 80° blue (5005)
1.1-3.4	07202106-002	Plastic Hanger complete right, 80° Brillant marine
1.1-3.4	07202107-002	Plastic Hanger complete right, 80° Ruby red (3003)
1.1-3.4	07202108-002	Plastic Hanger complete right, 80° Brillant red(420)
1.1-3.4	07202109-002	Plastic Hanger complete right, 80° Silver texture(300)
1.1-3.4	07202110-002	Plastic Hanger complete right, 80° Graphitmetallic414
1.1-3.4	07202111-002	Plastic Hanger complete right, 80° Platinmetallic 314
1.1-3.4	07202112-002	Plastic Hanger complete right, 80° Matt black(9005)
1.1-3.4	07202113-002	Plastic Hanger complete right, 80° Signal withe(9003)
1.1-3.4	07202114-002	Plastic Hanger complete right, 80° Pink (4010)
1.1-3.4	07202115-002	Plastic Hanger complete right, 80° Sky Blue (319)
1.1-3.4	07202116-002	Plastic Hanger complete right, 80° Capuccino (320)
1.1-3.4	07202117-002	Plastic Hanger complete right, 80° Kiwi (321)
1.1-3.4	07202118-002	Plastic Hanger complete right, 80° FlamingoGlitter322
1.1-3.4	07202119-002	Plastic Hanger complete right, 80° Azuri Blue 424
1.1-3.4	07202120-002	Plastic Hanger complete right, 80° Mattpurple(454)
1.1-3.4	07202121-002	Plastic Hanger complete right, 80° Brilliantpurple (423)

Stump Pad



Pos	Item number	Description	Comment
-	064280-000	Stump pad cpl.	Pair
-	064280-002	Stump pad cpl.	LH
1 - 4	064280-001	Stump pad cpl.	RH
2	064905	Detent washer set	20 pcs./pack
3 - 4	064924	Calf pad with cover	
4	064927	Calf pad cover	
5	064999-ET	Release lever cpl.	10 pcs./pack

Castor for fixed frame



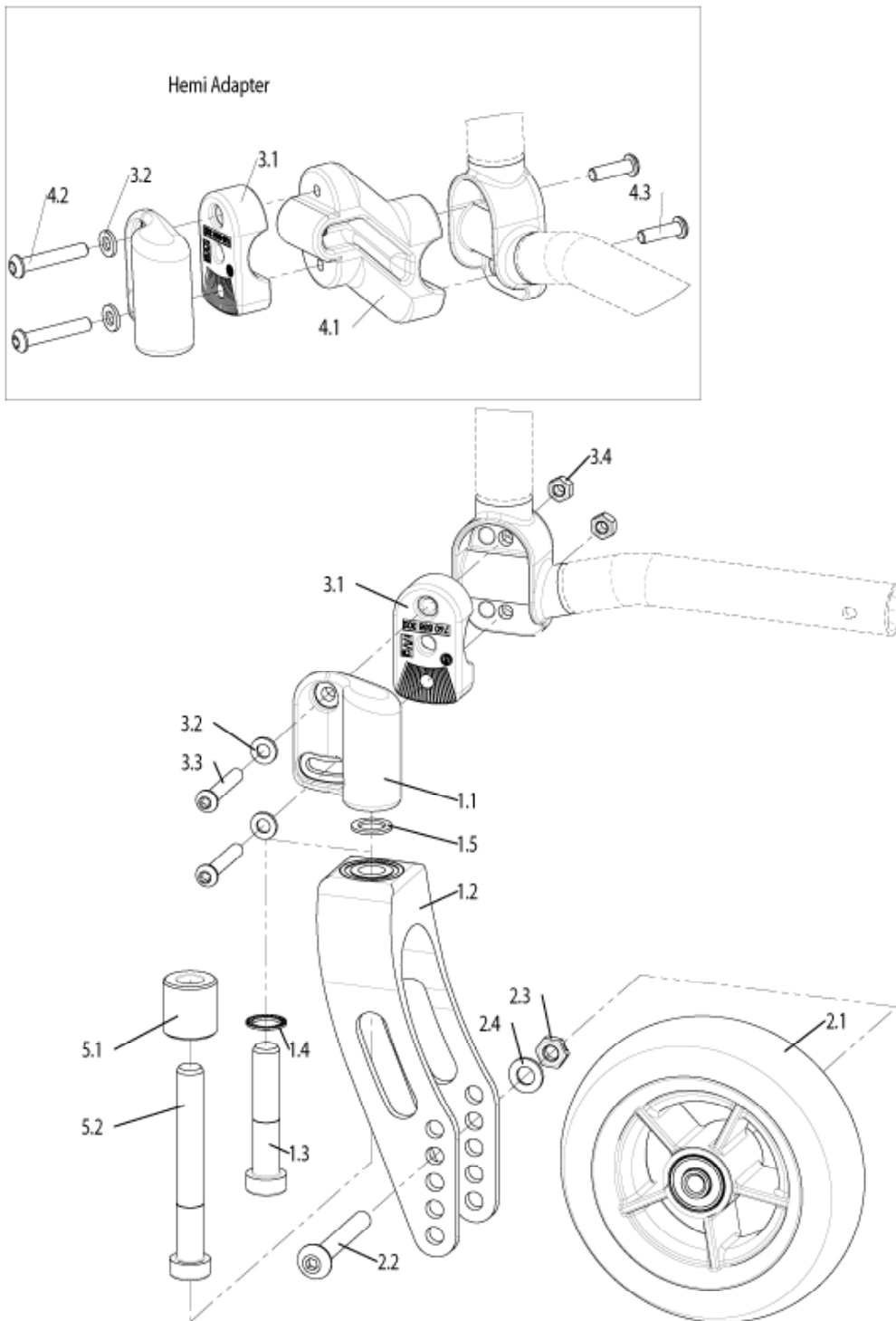
Pos	Item number	Description	Comment
1.1	760858304	Castor adapter, black coated	RH
1.1	760758304	Castor adapter, black coated	LH
1.1-1.5	760858330	Castor, round fork, black 168 x 39 with castor adapter, complete	RH
1.1-1.5	760758330	Castor, round fork, black 168 x 39 with castor adapter, complete	LH
1.1-1.5	072506-001	Castor, round fork, silver 168 x 39 with castor adapter, complete	RH
1.1-1.5	072506-002	Castor, round fork, silver 168 x 39 with castor adapter, complete	LH

Castor for fixed frame

Pos	Item number	Description	Comment
1.1-1.5	072507-001	Castor, round fork, gold orange 168 x 39 with castor adapter, complete	RH
1.1-1.5	072507-002	Castor, round fork, gold orange 168 x 39 with castor adapter, complete	LH
1.1-1.5	760858331	Castor, round fork, black 168 x 45 with castor adapter, complete	RH
1.1-1.5	760758331	Castor, round fork, black 168 x 45 with castor adapter, complete	LH
1.1-1.5	072508-001	Castor, round fork, silver 168 x 45 with castor adapter, complete	RH
1.1-1.5	072508-002	Castor, round fork, silver 168 x 45 with castor adapter, complete	LH
1.1-1.5	072509-001	Castor, round fork, gold orange 168 x 45 with castor adapter, complete	RH
1.1-1.5	072509-002	Castor, round fork, gold orange 168 x 45 with castor adapter, complete	LH
1.1-1.5	760858332	Castor, round fork, black 143 x 39 with castor adapter, complete	RH
1.1-1.5	760758332	Castor, round fork, black 143 x 39 with castor adapter, complete	LH
1.1-1.5	072510-001	Castor, round fork, silver 143 x 39 with castor adapter, complete	RH
1.1-1.5	072510-002	Castor, round fork, silver 143 x 39 with castor adapter, complete	LH
1.1-1.5	072511-001	Castor, round fork, gold orange 143 x 39 with castor adapter, complete	RH
1.1-1.5	072511-002	Castor, round fork, gold orange 143 x 39 with castor adapter, complete	LH
1.1-1.5	760758335.01	Castor, round fork, coloured with castor adapter, complete	LH
1.1-1.5	760858335.01	Castor, round fork, coloured with castor adapter, complete	RH
1.1-4.2	072516-001	Castor, round fork, black, complete HEMI	pair
1.1-4.2	072516-002	Castor, round fork, black, complete HEMI	RH
1.1-4.2	072516-003	Castor, round fork, black, complete HEMI	LH
1.1-4.2	072517-001	Castor, round fork, silver, complete HEMI	pair
1.1-4.2	072517-002	Castor, round fork, silver, complete HEMI	RH
1.1-4.2	072517-003	Castor, round fork, silver, complete HEMI	LH
1.1-4.2	072518-001	Castor, round fork, gold orange, complete HEMI	pair
1.1-4.2	072518-002	Castor, round fork, gold orange, complete HEMI	RH
1.1-4.2	072518-003	Castor, round fork, gold orange, complete HEMI	LH
1.3	000102151-ET	Screw M 12 x 60 mm DIN 6912	
1.4	000138010-ET	Lock Washer 13	Pack of 10
1.5	000131087-ET	Locating disc 12 x 18 x 1.5 DIN 988	Pack of 25
2.1-2.4	765858011	4in castor, solid, plastic rim, with axle and spacer, cpl.	
2.1-2.4	000858023	4in Light-up wheel for fork 143 x 39 and 168 x 39	
2.1-2.4	760858362	5in solid castor, complete, with axle	
2.1-2.4	000858184	5in x 1in castor, solid, aluminium rim, with axle and spacer	
2.1-2.4	054570	5in soft solid castor, with axle	
2.1-2.4	760858363	6in solid rubber castor complete, with axle for round fork 143 x 39 and 168 x 39	

Pos	Item number	Description	Comment
2.1-2.4	760858364	6in soft caster with axle	Pc for use on left and right side
2.1-2.4	760858366	6in pneumatic castor with axle cpl.	Note: starting with week 30/2013 castors come with fine tread (previously = w/o tread). In case of retrofitting on wheelchairs prior week 30/2013 we recommend to replace as pair.
2.1-2.4	760858365	7in Castor, solid with axle & spacer	
2.1-2.4	760858367	7in Castor, pneu with axle & spacer	
2.2	000104112-ET	Oval-head screw M 8 x 55 ISO 7380 for round fork 143 x 39 and 168 x 39	Pack of 10
2.2	000104113-ET	Oval head screw M8 x 60 ISO 7380	Pack of 10
2.3	000128020-ET	Hex nut M8 Trelock, half height	Pack of 25
2.4	000130108-ET	A 8.4 washer DIN 125	Pack of 25
3.1-3.6	760858350	Fitting accessories for castor fitting, complete. (Frame mount)	-
3.3	000154205-ET	Cylindrical pin 8 x 32 DIN 7	Pack of 25
3.4	000102305.01-ET	Lens head screw M 6 x 40, 8.8 , Tufloc, Trx	Pack of 10
3.5	000130107-ET	Washer A6.4 DIN 125	Pack of 25
3.6	000128007-ET	Hex nut M 6 DIN 985	Pack of 25
1.3-1.5 + 5.1- 5.2	84407103	Castor fixation kit	
4.1-4.2	072519-002	HEMI Bracket complete can be used right and left	

Castor for swing away frame (starting week 15/2014)



Pos	Item number	Description	Comment
1.1	760858304	Castor adapter, black coated	RH
1.1	760758304	Castor adapter, black coated	LH
1.1-1.5	760858330	Castor, round fork, black 168 x 39 with castor adapter, complete	RH
1.1-1.5	760758330	Castor, round fork, black 168 x 39 with castor adapter, complete	LH

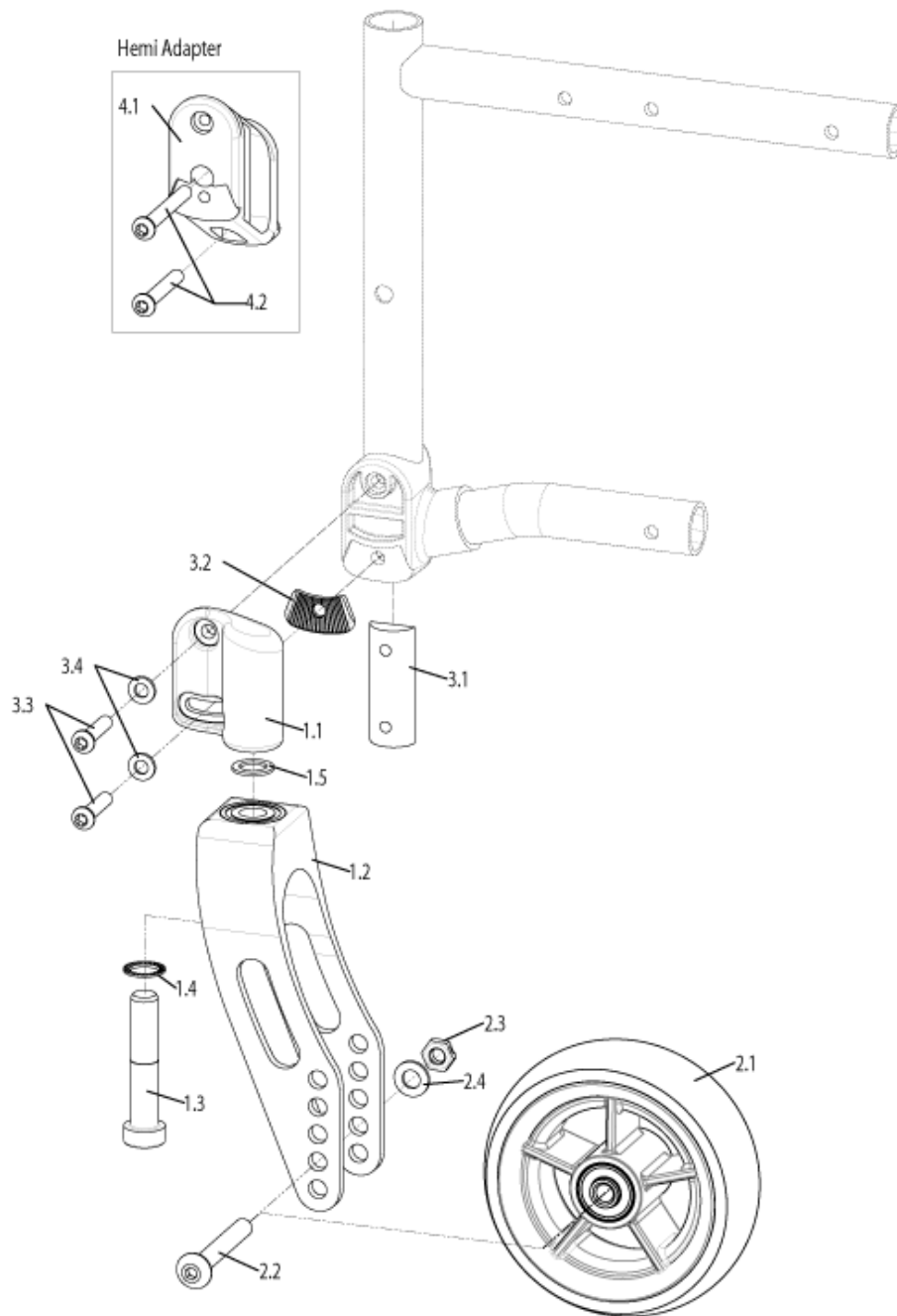
Castor for swing away frame (starting week 15/2014)

Pos	Item number	Description	Comment
1.1-1.5	072506-001	Castor, round fork, silver 168 x 39 with castor adapter, complete	RH
1.1-1.5	072506-002	Castor, round fork, silver 168 x 39 with castor adapter, complete	LH
1.1-1.5	072507-001	Castor, round fork, gold orange 168 x 39 with castor adapter, complete	RH
1.1-1.5	072507-002	Castor, round fork, gold orange 168 x 39 with castor adapter, complete	LH
1.1-1.5	760858331	Castor, round fork, black 168 x 45 with castor adapter, complete	RH
1.1-1.5	760758331	Castor, round fork, black 168 x 45 with castor adapter, complete	LH
1.1-1.5	072508-001	Castor, round fork, silver 168 x 45 with castor adapter, complete	RH
1.1-1.5	072508-002	Castor, round fork, silver 168 x 45 with castor adapter, complete	LH
1.1-1.5	072509-001	Castor, round fork, gold orange 168 x 45 with castor adapter, complete	RH
1.1-1.5	072509-002	Castor, round fork, gold orange 168 x 45 with castor adapter, complete	LH
1.1-1.5	760858332	Castor, round fork, black 143 x 39 with castor adapter, complete	RH
1.1-1.5	760758332	Castor, round fork, black 143 x 39 with castor adapter, complete	LH
1.1-1.5	072510-001	Castor, round fork, silver 143 x 39 with castor adapter, complete	RH
1.1-1.5	072510-002	Castor, round fork, silver 143 x 39 with castor adapter, complete	LH
1.1-1.5	072511-001	Castor, round fork, gold orange 143 x 39 with castor adapter, complete	RH
1.1-1.5	072511-002	Castor, round fork, gold orange 143 x 39 with castor adapter, complete	LH
1.1-1.5	760758335.01	Castor, round fork, coloured with castor adapter, complete	LH
1.1-1.5	760858335.01	Castor, round fork, coloured with castor adapter, complete	RH
1.1-4.2	072520-001	Castor, fork, black, complete HEMI	pair
1.1-4.2	072520-002	Castor, fork, black, complete HEMI	RH
1.1-4.2	072520-003	Castor, fork, black, complete HEMI	LH
1.1-4.2	072521-001	Castor, fork, silver, complete HEMI	pair
1.1-4.2	072521-002	Castor, fork, silver, complete HEMI	RH
1.1-4.2	072521-003	Castor, fork, silver, complete HEMI	LH
1.1-4.2	072522-001	Castor, fork, orange, complete HEMI	pair
1.1-4.2	072522-002	Castor, fork, orange, complete HEMI	RH
1.1-4.2	072522-003	Castor, fork, orange, complete HEMI	LH
1.3	000102151-ET	Screw M 12 x 60 mm DIN 6912	
1.4	000138010-ET	Lock Washer 13	10 pcs./pack
1.5	000131087-ET	Locating disc 12 x 18 x 1.5 DIN 988	25 pcs./pack
1.3-1.5 + 5.1- 5.2	84407103	Castor fixation kit	
2.1-2.4	765858011	4in castor, solid, plastic rim, with axle and spacer, cpl.	
2.1-2.4	000858023	4Inch Light-up wheel for fork 143 x 39 and 168 x 39	
2.1-2.4	760858362	5Inch solid castor, complete, with axle	
2.1-2.4	000858184	5Inch x 1Inch castor, solid, aluminium rim, with axle and spacer	

Castor for swing away frame (starting week 15/2014)

Pos	Item number	Description	Comment
2.1-2.4	760858363	6Inch solid rubber castor complete, with axle for round fork 143 x 39 and 168 x 39	
2.1-2.4	760858364	Soft 6Inch caster with axle	can be used right & left
2.1-2.4	760858366	6Inch pneumatic castor with axle cpl.	Note: starting with week 30/2013 castors come with fine tread (previously = w/o tread). In case of retrofitting on wheelchairs prior week 30/2013 we recommend to replace as pair.
2.1-2.4	760858365	7Inch Castor, solid with axle & spacer	
2.1-2.4	760858367	7Inch Castor, pneu with axle & spacer	
2.2	000104112-ET	Oval-head screw M 8 x 55 ISO 7380 for round fork 143 x 39 and 168 x 39	10 pcs./pack
2.2	000104113-ET	Oval head screw M8 x 60 ISO 7380	10 pcs./pack
2.3	000128020-ET	Hex nut M8 Trelock, half height	25 pcs./pack
2.4	000130108-ET	A 8.4 washer DIN 125	25 pcs./pack
2.5	066556-ET	Washer used with castor 8.15 x 13 x 2	10 pcs./pack
2.5	71105005-001-ET	Washer used with castor 8.3 x 14 x 4	10 pcs./pack
3.1-3.4	072551	Fitting accessories for castor fitting, complete can be used right and left	
3.2	000130107-ET	Washer A6.4 DIN 125	25 pcs./pack
3.3	000102317.01	Oval-head screw M 6 x 37 with Torx drive	25 pcs./pack
3.4	000128007-ET	Hex nut M6 DIN 985	25 pcs./pack
4.1-4.3+3.2	072552	HEMI Bracket complete can be used right and left	
4.2	000102304.01-ET	Oval head screw M6 x 35 with Torx drive	25 pcs./pack
4.3	000102307.01-ET	Socket head cap screw M 6 x 20 - DIN 912	25 pcs./pack

Castor for swing away frame (until week 14/2014)



Pos	Item number	Description	Comment
1.1	760858304	Castor adapter, black coated	RH
1.1	760758304	Castor adapter, black coated	LH
1.1-1.5	760858330	Castor, round fork, black 168 x 39 with castor adapter, complete	RH
1.1-1.5	760758330	Castor, round fork, black 168 x 39 with castor adapter, complete	LH

Castor for swing away frame (until week 14/2014)

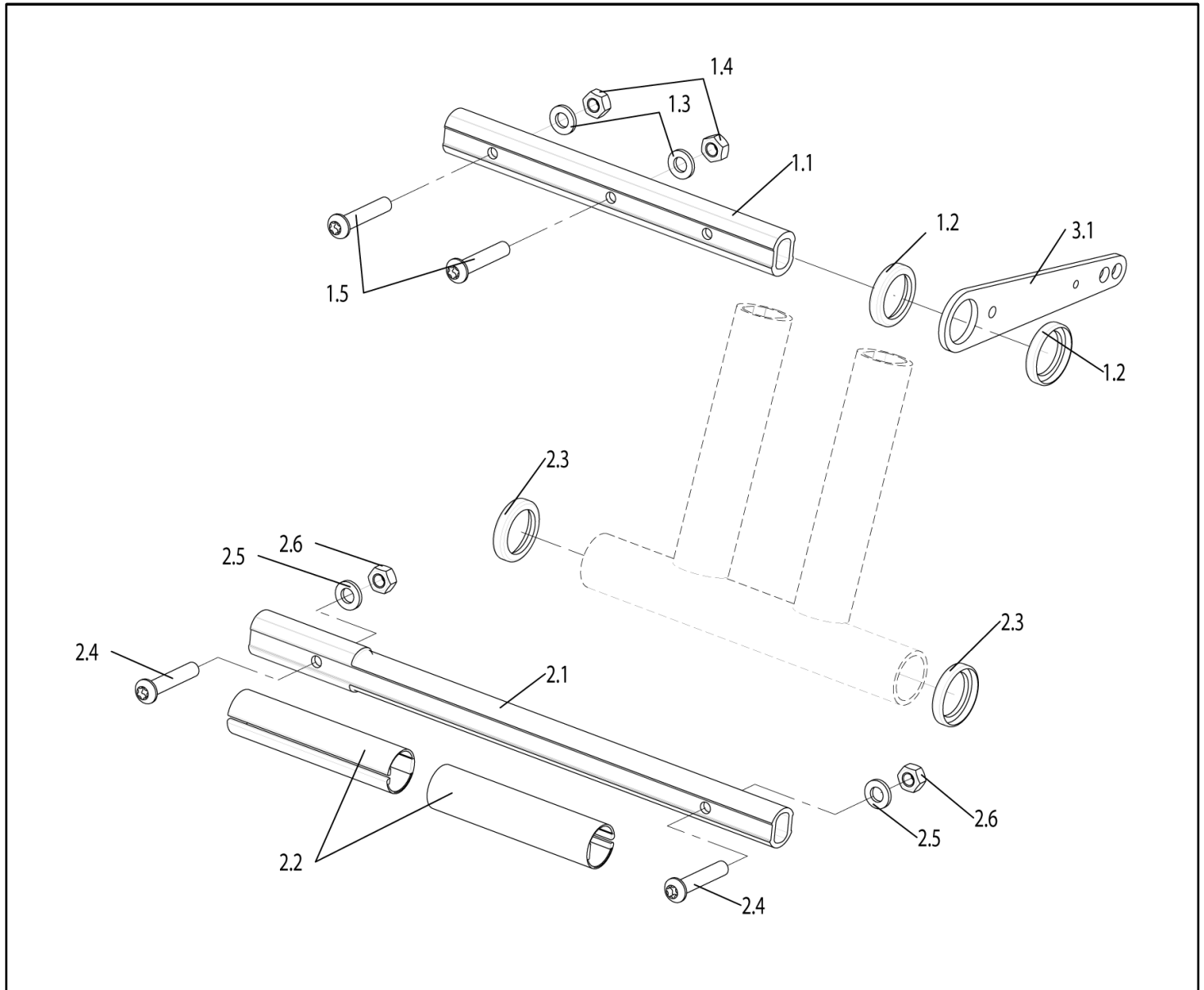
Pos	Item number	Description	Comment
1.1-1.5	072506-001	Castor, round fork, silver 168 x 39 with castor adapter, complete	RH
1.1-1.5	072506-002	Castor, round fork, silver 168 x 39 with castor adapter, complete	LH
1.1-1.5	072507-001	Castor, round fork, gold orange 168 x 39 with castor adapter, complete	RH
1.1-1.5	072507-002	Castor, round fork, gold orange 168 x 39 with castor adapter, complete	LH
1.1-1.5	760858331	Castor, round fork, black 168 x 45 with castor adapter, complete	RH
1.1-1.5	760758331	Castor, round fork, black 168 x 45 with castor adapter, complete	LH
1.1-1.5	072508-001	Castor, round fork, silver 168 x 45 with castor adapter, complete	RH
1.1-1.5	072508-002	Castor, round fork, silver 168 x 45 with castor adapter, complete	LH
1.1-1.5	072509-001	Castor, round fork, gold orange 168 x 45 with castor adapter, complete	RH
1.1-1.5	072509-002	Castor, round fork, gold orange 168 x 45 with castor adapter, complete	LH
1.1-1.5	760858332	Castor, round fork, black 143 x 39 with castor adapter, complete	RH
1.1-1.5	760758332	Castor, round fork, black 143 x 39 with castor adapter, complete	LH
1.1-1.5	072510-001	Castor, round fork, silver 143 x 39 with castor adapter, complete	RH
1.1-1.5	072510-002	Castor, round fork, silver 143 x 39 with castor adapter, complete	LH
1.1-1.5	072511-001	Castor, round fork, gold orange 143 x 39 with castor adapter, complete	RH
1.1-1.5	072511-002	Castor, round fork, gold orange 143 x 39 with castor adapter, complete	LH
1.1-1.5	760758335.01	Castor, round fork, coloured with castor adapter, complete	LH
1.1-1.5	760858335.01	Castor, round fork, coloured with castor adapter, complete	RH
1.1-4.2	072520-001	Castor, fork, black, complete HEMI	pair
1.1-4.2	072520-002	Castor, fork, black, complete HEMI	RH
1.1-4.2	072520-003	Castor, fork, black, complete HEMI	LH
1.1-4.2	072521-001	Castor, fork, silver, complete HEMI	pair
1.1-4.2	072521-002	Castor, fork, silver, complete HEMI	RH
1.1-4.2	072521-003	Castor, fork, silver, complete HEMI	LH
1.1-4.2	072522-001	Castor, fork, orange, complete HEMI	pair
1.1-4.2	072522-002	Castor, fork, orange, complete HEMI	RH
1.1-4.2	072522-003	Castor, fork, orange, complete HEMI	LH
1.3	000102151-ET	Screw M 12 x 60 mm DIN 6912	
1.4	000138010-ET	Lock Washer 13	Pack of 10
1.5	000131087-ET	Locating disc 12 x 18 x 1.5 DIN 988	Pack of 25
2.1-2.4	000858180	4Inch x 1Inch castor, solid, aluminium rim, with axle and spacer	
2.1-2.4	765858011	4in castor, solid, plastic rim, with axle and spacer, cpl.	
2.1-2.4	760858362	5Inch solid castor, complete, with axle	
2.1-2.4	000858184	5Inch x 1Inch castor, solid, aluminium rim, with axle and spacer	
2.1-2.4	760858363	6Inch solid rubber castor complete, with axle for round fork 143 x 39 and 168 x 39	

Castor for swing away frame (until week 14/2014)

Pos	Item number	Description	Comment
2.1-2.4	760858364	Soft 6Inch caster with axle	can be used right & left
2.1-2.4	760858366	6Inch pneumatic castor with axle cpl.	Note: starting with week 30/2013 castors come with fine tread (previously = w/o tread). In case of retrofitting on wheelchairs prior week 30/2013 we recommend to replace as pair.
2.1-2.4	760858365	7Inch Castor, solid with axle & spacer	
2.1-2.4	760858367	7Inch Castor, pneu with axle & spacer	
2.2	000104112-ET	Oval-head screw M 8 x 55 ISO 7380 for round fork 143 x 39 and 168 x 39	Pack of 10
2.2	000104113-ET	Oval head screw M8 x 60 ISO 7380	Pack of 10
2.3	000128020-ET	Hex nut M8 Trelock, half height	Pack of 25
2.4	000130108-ET	A 8.4 washer DIN 125	Pack of 25
2.5	066556-ET	Washer used with castor 8.15 x 13 x 2	10 pcs./pack
2.5	71105005-001-ET	Washer used with castor 8.3 x 14 x 4	10 pcs./pack
3.1-3.4	072515	Fitting accessories for castor fitting, complete can be used right and left	
3.3	000102311.01-ET	Oval-head screw M 6 x 27 with Torx drive	Pack of 25
3.4	000130107-ET	Washer A6.4 DIN 125	Pack of 25
4.1-4.2	072519-001	HEMI Bracket complete can be used right and left	
4.2	000102305.01-ET	Lens head screw M 6 x 40, 8.8 , Tufloc, Trx	Pack of 10
1.3-1.5 + 5.1- 5.2	84407103	Castor fixation kit	

Upper Connection Profil

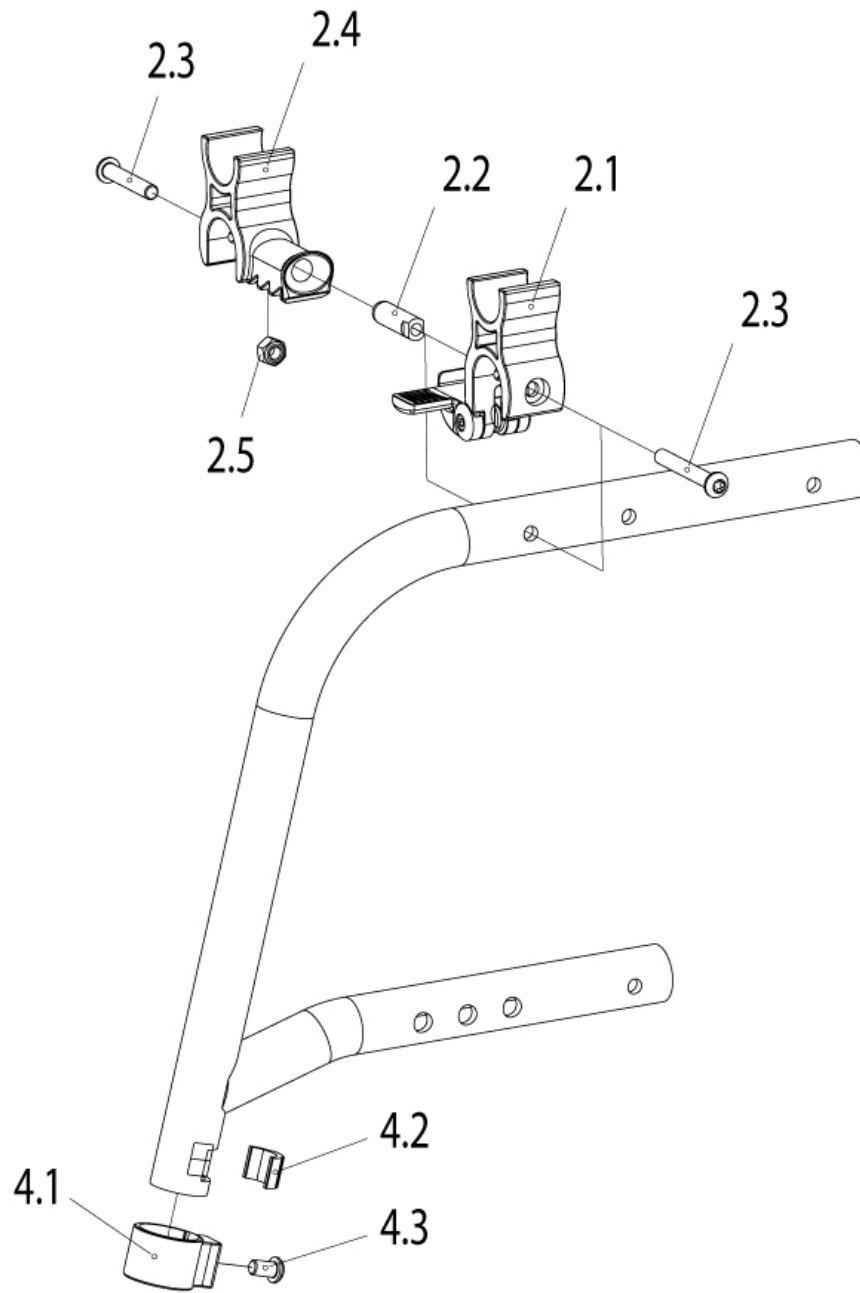
Upper Connection Profil



Pos	Item number	Description	Comment
1.1-1.5	760812114	Connetion tube cpl.	
2.1-2.6	760812115	Connetion tube cpl.	
1.5	000102312.01-ET	Oval-head screw M 6 x 32 with Torx drive	Pack of 25
1.2	760812002-ET	Distance washer	Pack of 10
1.3	000130107-ET	Washer A6.4 DIN 125	Pack of 25
1.4	000128007-ET	Hex nut M 6 DIN 985	Pack of 25
2.2	760831004-ET	Spilt bearing	Pack of 10
2.3	760812002-ET	Distance washer	Pack of 10
2.4	000102312.01-ET	Oval-head screw M 6 x 32 with Torx drive	Pack of 25
2.5	000130107-ET	Washer A6.4 DIN 125	Pack of 25

Pos	Item number	Description	Comment
2.6	000128007-ET	Hex nut M 6 DIN 985	Pack of 25
3.1	760831005.02	Cross-brace bracket for SW: 36/38	
3.1	760831005.03	Cross-brace bracket for SW: 40	
3.1	760831005.04	Cross-brace bracket for SW: 44-46	
3.1	760831006	Cross-brace bracket for SW: 48-50	

Front Frame for Fixed Footrest



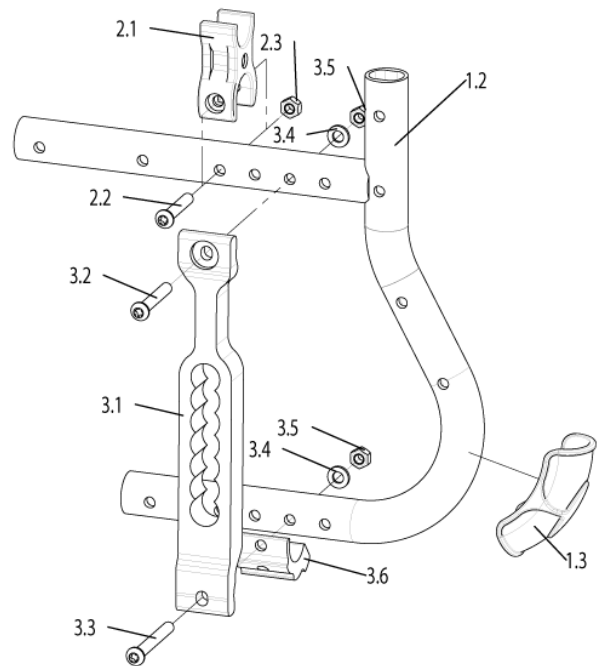
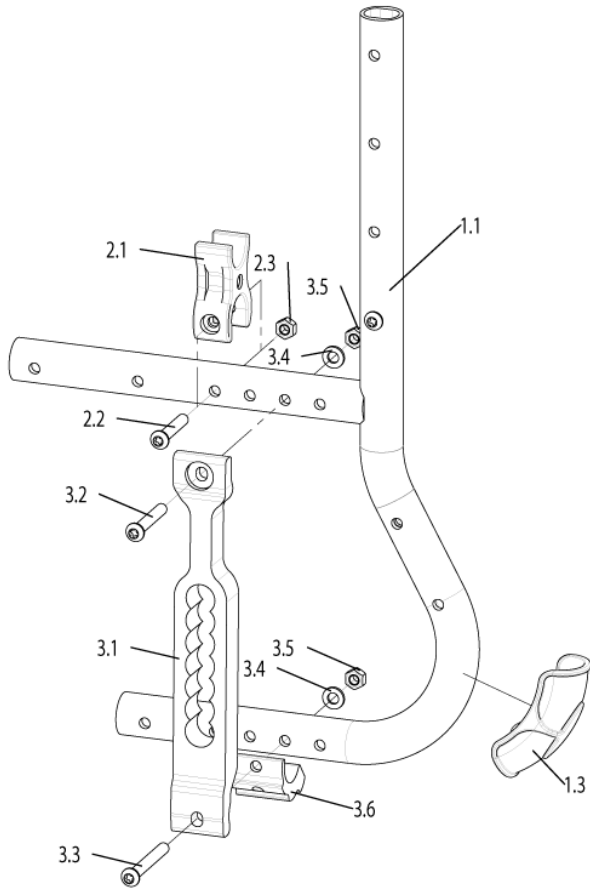
Pos	Item number	Description	Comment
1.1	072127-001	FIXED FRAME 75°, SD36-40, COLORED	LH&RH useable
1.1	072127-002	FIXED FRAME 75°, SD42-44, COLORED	LH&RH useable
1.1	072127-003	FIXED FRAME 75°, SD46-48, COLORED	LH&RH useable

Pos	Item number	Description	Comment
1.1	072127-004	FIXED FRAME 75°, SD50, COLORED	LH&RH useable
2.1	84401006-001-ET	FIXED FRAME 85°, SD36-40, COLORED	LH&RH useable
2.1	84401006-002-ET	FIXED FRAME 85°, SD42-44, COLORED	LH&RH useable
2.1	84401006-003-ET	FIXED FRAME 85°, SD46-48, COLORED	LH&RH useable
2.1	84401006-004-ET	FIXED FRAME 85°, SD50, COLORED	LH&RH useable
1.1	84401009-101-ET	FIXED FRAME 85°, 2cm inset, SD36-40, COLORED	LH
1.1	84401009-102-ET	FIXED FRAME 85°, 2cm inset, SD42-44, COLORED	LH
1.1	84401009-103-ET	FIXED FRAME 85°, 2cm inset, SD46-48, COLORED	LH
1.1	84401009-104-ET	FIXED FRAME 85°, 2cm inset, SD50, COLORED	LH
1.1	84401009-201-ET	FIXED FRAME 85°, 2cm inset, SD36-40, COLORED	RH
1.1	84401009-202-ET	FIXED FRAME 85°, 2cm inset, SD42-44, COLORED	RH
1.1	84401009-203-ET	FIXED FRAME 85°, 2cm inset, SD46-48, COLORED	RH
1.1	84401009-204-ET	FIXED FRAME 85°, 2cm inset, SD50, COLORED	RH
2.3	000102304.01-ET	Lens head screw M 6 x 35, 8.8 , Tufloc, Trx	Pack of 25
2.5	000128007-ET	Hex nut M 6 DIN 985	Pack of 25
4.1-4.3	750826006	Fitting accesories for footplate	
4.2	760827002-ET	Pressure piece	
4.3	000102308.01-ET	Oval-head screw M 6 x 12 with Torx drive	Pack of 25
2.1-2.5	71101020-000	Automatical Folding Fixation complete	all SW

Back Frame

Rahmen für Rücken STD / Rücken abklappbar
 Frame used with STD backrest / swing away backrest

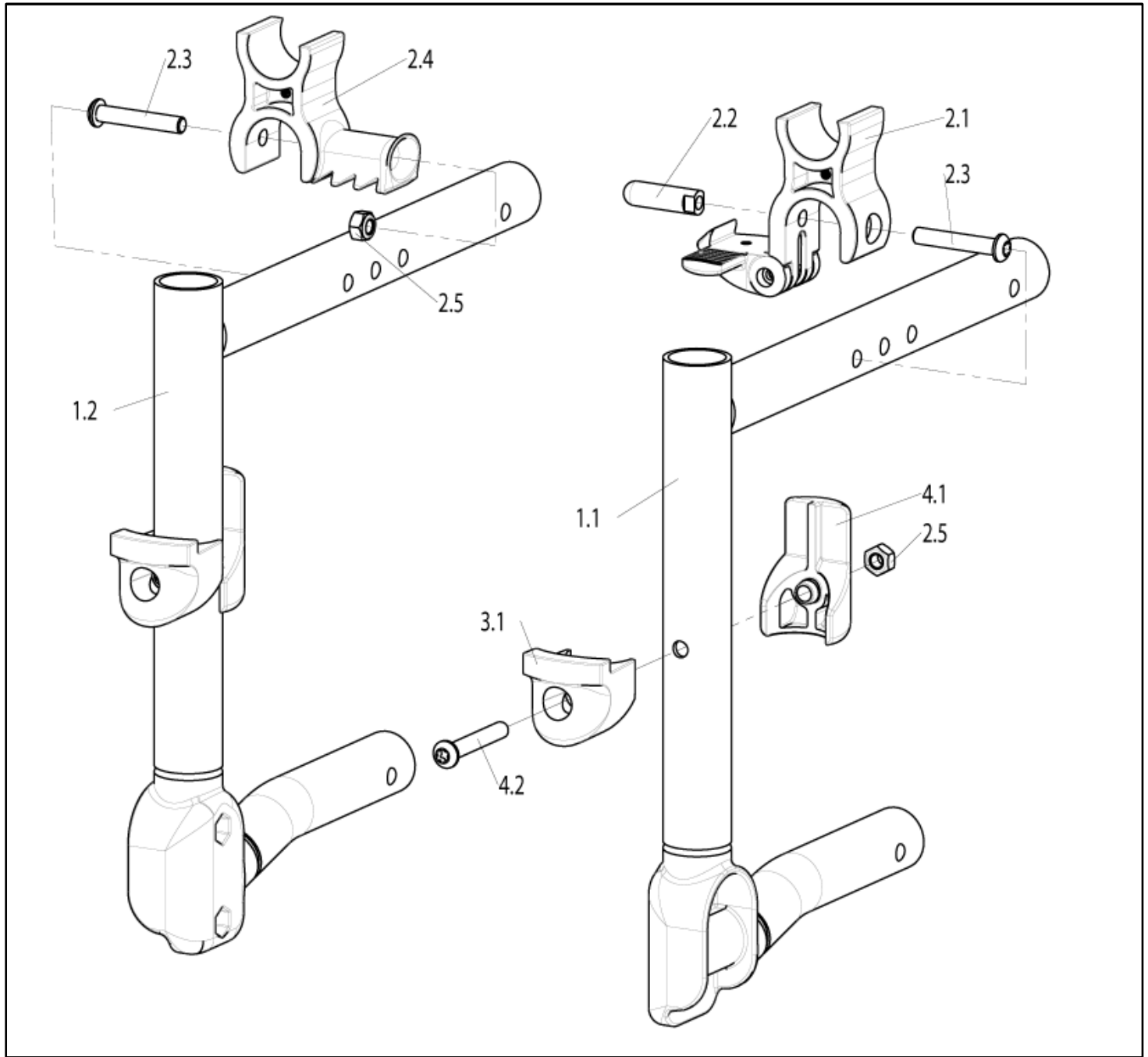
Rahmen für Rücken winkeleinstellbar
 Frame used with angle adjustable backrest



Pos	Item number	Description	Comment
1.1,1.3	072128-001	Rear Frame standard, colored left	
1.1,1.3	072128-002	Rear Frame standard, colored right	
1.2,1.3	072128-003	Rear Frame angle adjustable back, colored	
1.3	072110-ET	Rear Frame Cover	Pack of 2
2.1-2.3	760812001.01	Support with fitting accessories, complete	2 pcs./pack
2.2	000102304.01-ET	Lens head screw M 6 x 35, 8.8 , Tufloc, Trx	Pack of 25
2.3	000128007-ET	Hex nut M 6 DIN 985	Pack of 25
3.1-3.5	072129-001	Axleplate 7-Holes complete, black anodized	
3.1-3.5	072129-002	Axleplate 7-Holes complete, silver anodized	
3.1-3.5	072129-003	Axleplate 7-Holes complete, gold orange anodized	
3.2	000102305.01-ET	Lens head screw M 6 x 40, 8.8 , Tufloc, Trx	Pack of 25
3.3	000102313.01-ET	Oval head screw M6 x 50 with Torx drive	Pack of 25

Pos	Item number	Description	Comment
3.4	000130107-ET	Washer A6.4 DIN 125	Pack of 25
3.5	000128007-ET	Hex nut M 6 DIN 985	Pack of 25
3.3-3.6	072130	Wheel Camber Bracket complete, silver anodized	
3.3-3.6	072131	Wheel Camber Bracket complete, black anodized	
3.3-3.6	072132	Wheel Camber Bracket complete, gold orange anodized	
3.3	000102313.01-ET	Oval head screw M6 x 50 with Torx drive	Pack of 25
3.4	000130107-ET	Washer A6.4 DIN 125	Pack of 25
3.5	000128007-ET	Hex nut M 6 DIN 985	Pack of 25

Front Frame for Swing Away Footrest (starting week 15/2014)

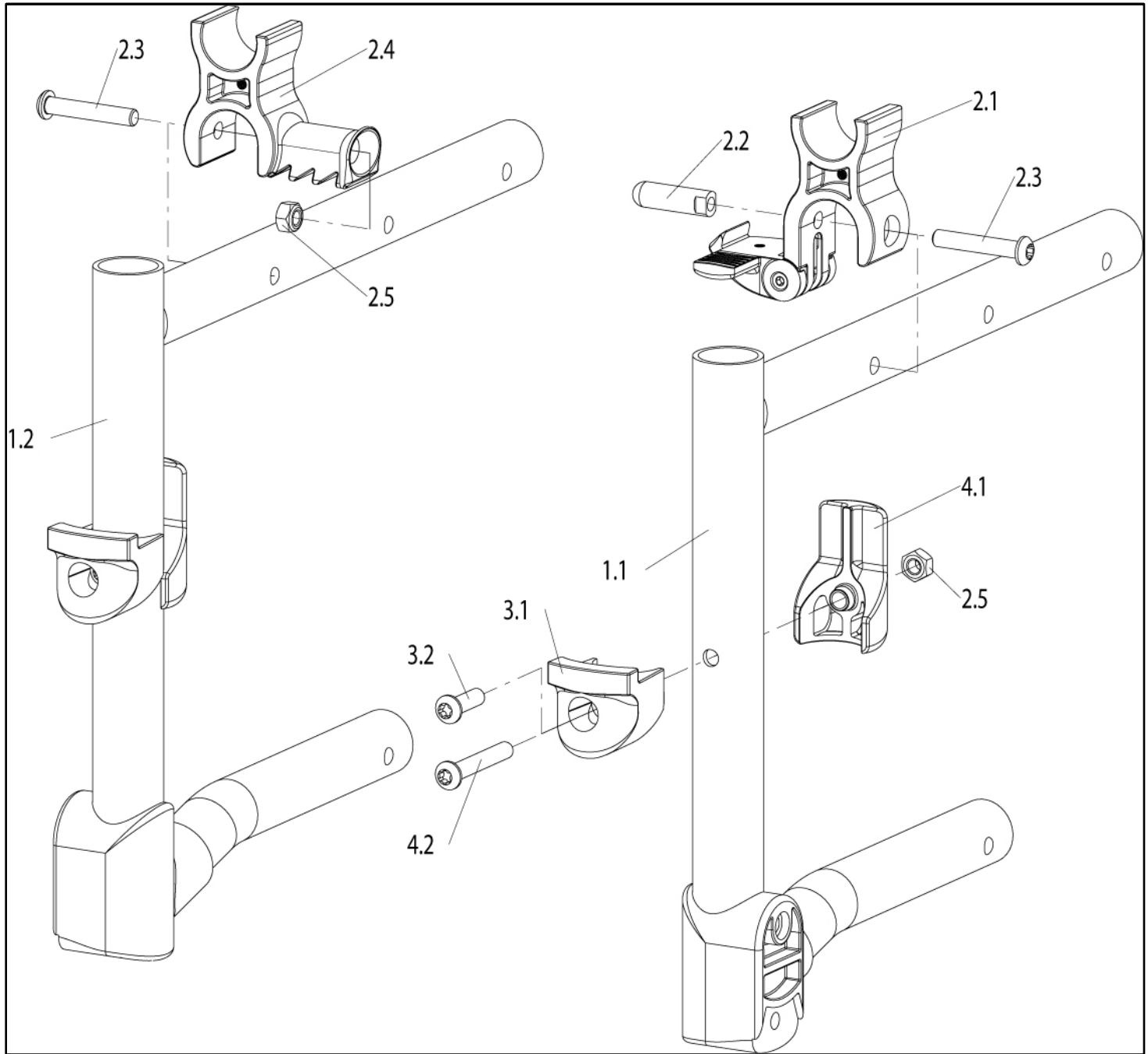


Pos	Item number	Description	Comment
1.1	072141-001	SWINGAWAY FRAME, LH SD36-40, COLORED	
1.1	072141-002	SWINGAWAY FRAME, LH SD42-44, COLORED	
1.1	072141-003	SWINGAWAY FRAME, LH SD46-50, COLORED	
1.2	072142-001	SWINGAWAY FRAME, RH SD36-40, COLORED	
1.2	072142-002	SWINGAWAY FRAME, RH SD42-44, COLORED	
1.2	072142-003	SWINGAWAY FRAME, RH SD46-50, COLORED	
2.1-2.5	71101020-000	Automatical Folding Fixation complete	all SW

Front Frame for Swing Away Footrest (starting week 15/2014)

Pos	Item number	Description	Comment
2.3	000102304.01-ET	Lens head screw M 6 x 35, 8.8 , Tufloc, Trx	25 pcs./pack
2.5	000128007-ET	Hex nut M 6 DIN 985	25 pcs./pack
3.1+4.1- 4.2+2.5	072134	Mounting accessory for plastic material footrest (starting week 24/2013)	
4.2	000102056.01-ET	Oval head screw M6 x 45 with Torx drive	25 pcs./pack
	000412.6307-ET	Sticker - Fixation point -, white	4 pcs./pack
	000412.6309-ET	Sticker - Fixation point -, black	4 pcs./pack
	072707-001-ET	Easy Life label, black	2 pcs./pack
	072707-002-ET	Easy Life label, silver	2 pcs./pack
	072707-003-ET	Life label, black	2 pcs./pack
	072707-004-ET	Life label, silver	2 pcs./pack
-	71102019-ET	Hanger stop	2 pcs./pack

Front Frame for Swing Away Footrest (from week 50/2012 to week 14/2014)

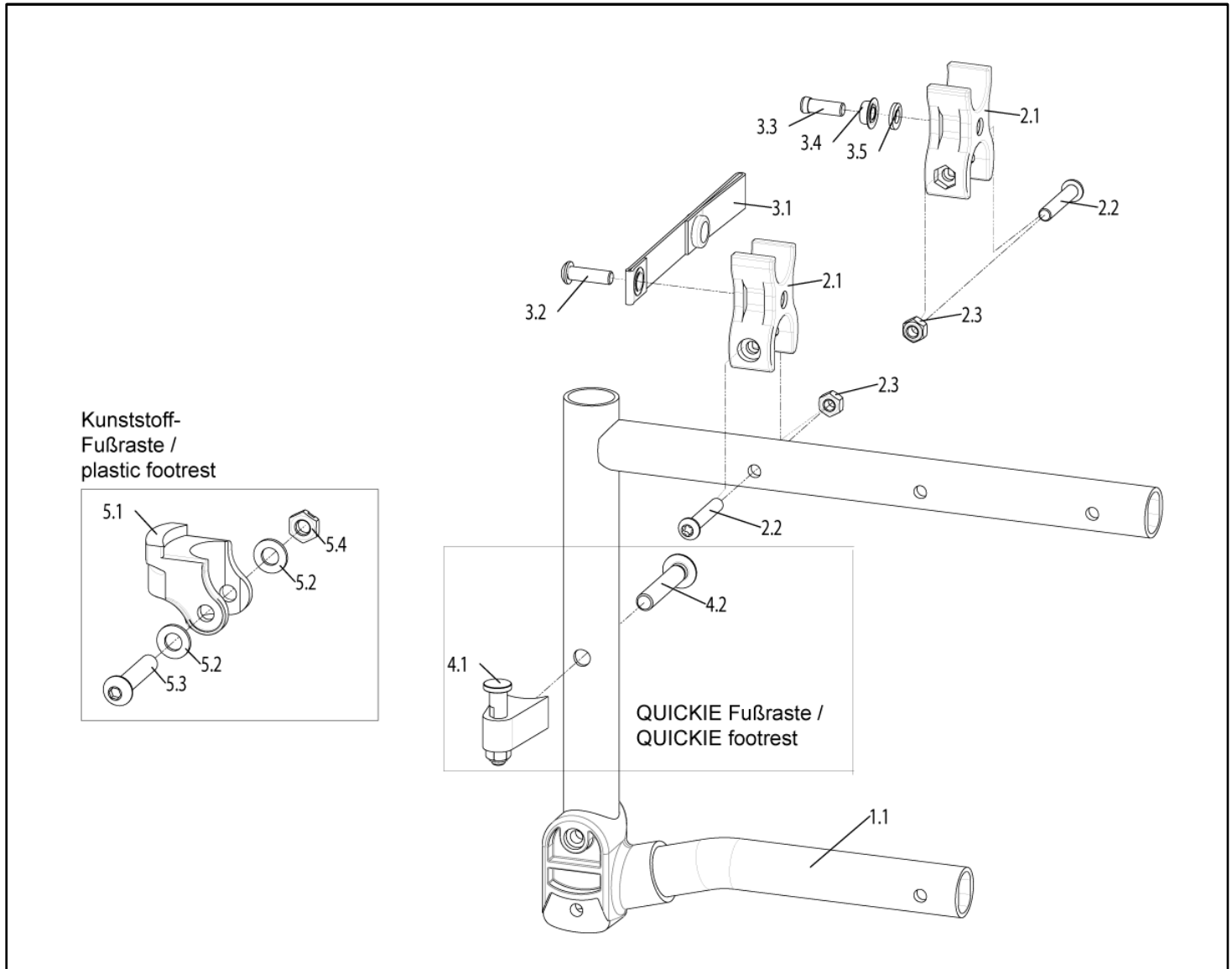


Pos	Item number	Description	Comment
1.1+1.2	072143-001	Swing away front frame, pair SD36-40, colored incl. fitting accessories for castor fitting	
1.1+1.2	072143-002	Swing away front frame, pair SD42-44, colored incl. fitting accessories for castor fitting	
2.1-2.5	71101020-000	Automatical Folding Fixation complete	all SW
2.3	000102304.01-ET	Lens head screw M 6 x 35, 8.8 , Tufloc, Trx	25 pcs./pack
2.5	000128007-ET	Hex nut M 6 DIN 985	25 pcs./pack
3.1-3.2	072133	Mounting accessory for plastic material footrest (to calendar week 23/2013)	

Front Frame for Swing Away Footrest (from week 50/2012 to week 14/2014)

Pos	Item number	Description	Comment
3.1+4.1- 4.2+2.5	072134	Mounting accessory for plastic material footrest (starting week 24/2013)	
3.2	000102307.01-ET	Button head cap screw M 6 x 20 Torx drive	25 pcs./pack
-	000412.6307-ET	Sticker - Fixation point -, white	4 pcs./pack
-	000412.6309-ET	Sticker - Fixation point -, black	4 pcs./pack
4.2	000102305.01-ET	Oval head screw M6 x 40 with Torx drive	25 pcs./pack
-	71102019-ET	Hanger stop	2 pcs./pack

Front Frame for Swing Away Footrest (from week 32/2006 to 49/2012)

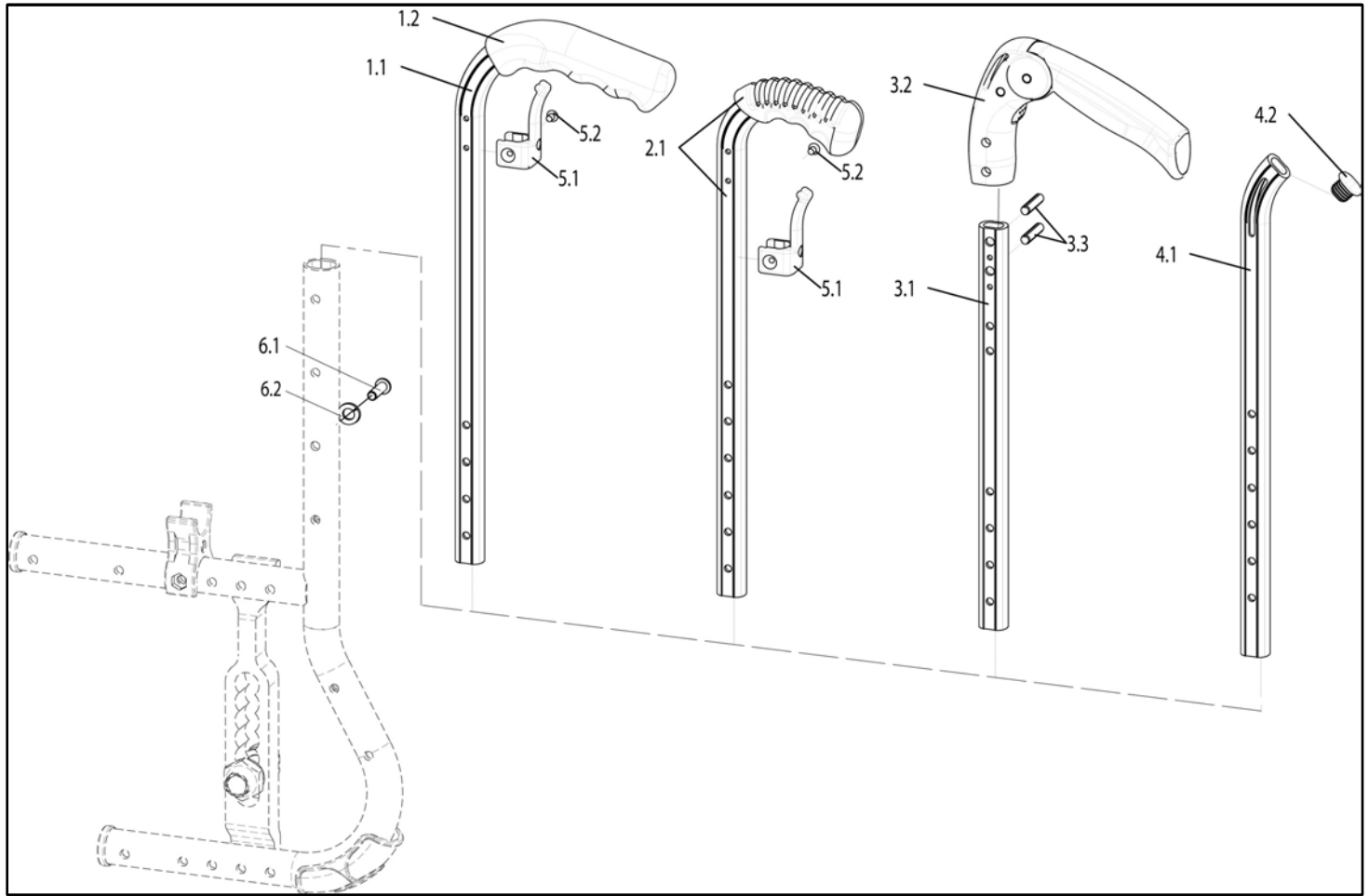


Pos	Item number	Description	Comment
1.1	072144-001	Swing away front frame, pair SD36-40, colored incl. hanger cpl. 80deg and fitting accessories for castor fitting	replacement for frames with Quickie hanger
1.1	072144-002	Swing away front frame, pair SD42-44, colored incl. hanger cpl. 80deg and fitting accessories for castor fitting	replacement for frames with Quickie hanger
1.1	072144-003	Swing away front frame, pair SD46-50, colored incl. hanger cpl. 80deg and fitting accessories for castor fitting	replacement for frames with Quickie hanger
1.1	072144-011	Swing away front frame, pair SD36-40, colored incl. hanger cpl. 70deg and fitting accessories for castor fitting	replacement for frames with Quickie hanger

Front Frame for Swing Away Footrest (from week 32/2006 to 49/2012)

Pos	Item number	Description	Comment
1.1	072144-012	Swing away front frame, pair SD42-44, colored incl. hanger cpl. 70deg and fitting accessories for castor fitting	replacement for frames with Quickie hanger
1.1	072144-013	Swing away front frame, pair SD46-50, colored incl. hanger cpl. 70deg and fitting accessories for castor fitting	replacement for frames with Quickie hanger
1.1	072143-001	Swing away front frame, pair SD36-40, colored incl. fitting accessories for castor fitting	replacement for frames with Alu or plastic hanger
1.1	072143-002	Swing away front frame, pair SD42-44, colored incl. fitting accessories for castor fitting	replacement for frames with Alu or plastic hanger
2.1-2.3	760812001.01	Support with fitting accessories, complete	2 pcs./pack
2.2	000102304.01-ET	Lens head screw M 6 x 35, 8.8 , Tufloc, Trx	Pack of 25
2.3	000128007-ET	Hex nut M 6 DIN 985	Pack of 25
3.1-3.5	760812100.02	Folding bracket, 123 mm, complete	
3.2	000102307.01-ET	Button head cap screw M 6 x 20 Torx drive	Pack of 25
3.3	000812106-ET	Special screw with cross recess M 6 x 16	
3.4	000812103-ET	Bowl head 6 mm	
3.5	000130107-ET	Washer A6.4 DIN 125	Pack of 25
4.1-4.2	072125	Support with fitting QUICKIE Hanger	can be used right & left
4.2	000104110-ET	Oval-head screw M8 x 45 ISO 7380 10.9	Pack of 25
5.1-5.4	072126	Support with fitting RUBIX Hanger	can be used right & left
5.2	000130108-ET	A 8.4 washer DIN 125	Pack of 25
5.3	103186-011-ET	button head cap screw M 8 x 40 Torx drive	Pack of 25
5.4	000128020-ET	Hex nut M8 Trelock, half height	Pack of 25

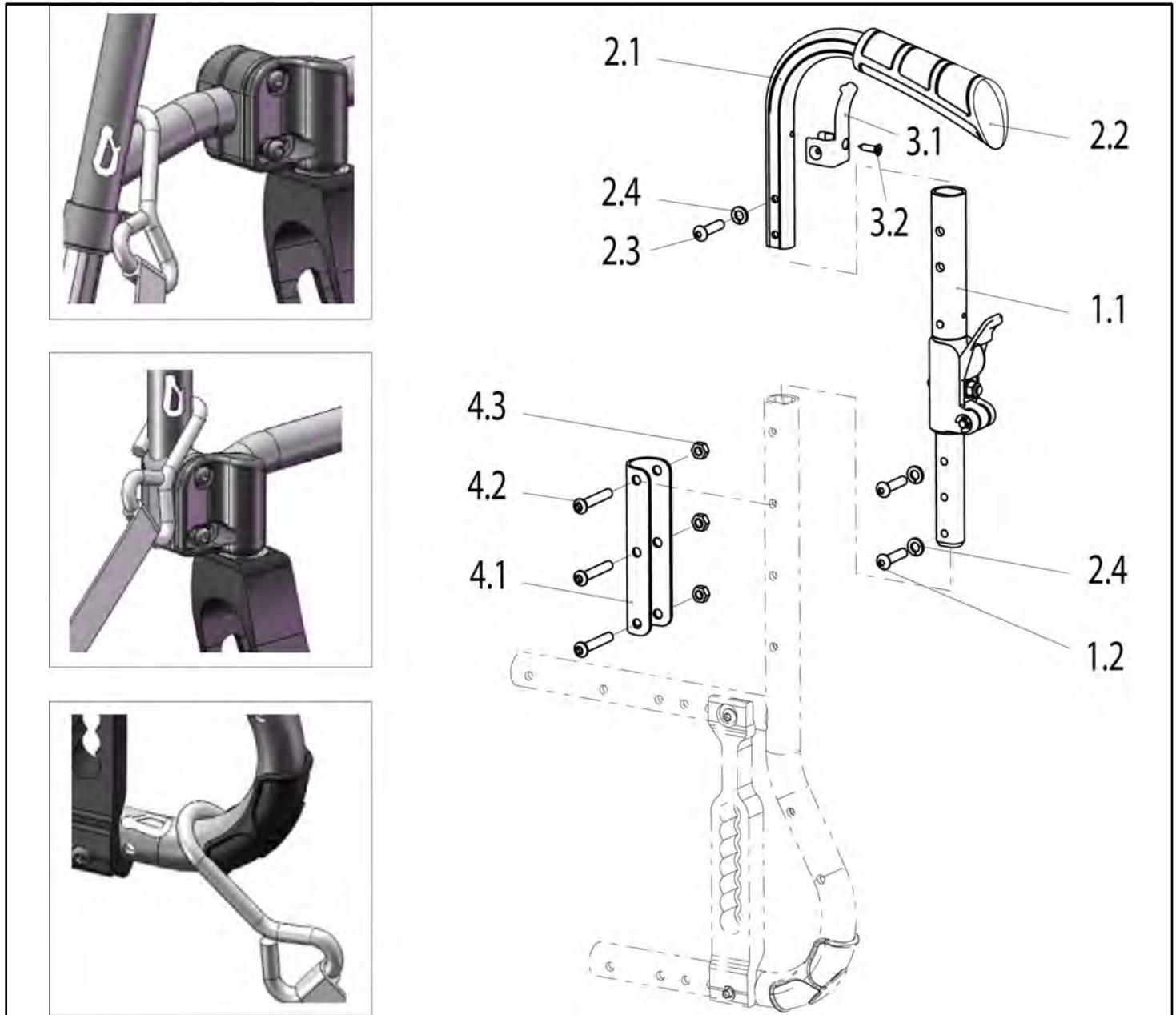
Back tubes for standard back



Pos	Item number	Description	Comment
1.1-1.2, 5.1-5.2, 6.1-6.2	072423-001-ET	Rigid back tube Long Push Handles BH25	2 pcs./pack
1.1-1.2, 5.1-5.2, 6.1-6.2	072423-002-ET	Rigid back tube Long Push Handles BH30	2 pcs./pack
1.1-1.2, 5.1-5.2, 6.1-6.2	072423-003-ET	Rigid back tube Long Push Handles BH35	2 pcs./pack
1.1-1.2, 5.1-5.2, 6.1-6.2	072423-004-ET	Rigid back tube Long Push Handles BH40	2 pcs./pack
1.1-1.2, 5.1-5.2, 6.1-6.2	072423-005-ET	Rigid back tube Long Push Handles BH45	2 pcs./pack
1.2	71104052-ET	Grip for back tube (incl. glue)	Pack of 10
-	000050005	Superglue used with hand grips, 10 g	
2.1, 5.1- 5.2, 6.1- 6.2	072424-001	Back tube with short push handle, complete BH25	

Pos	Item number	Description	Comment
2.1, 5.1- 5.2, 6.1- 6.2	072424-002	Back tube with short push handle, complete BH30	
2.1, 5.1- 5.2, 6.1- 6.2	072424-003	Back tube with short push handle, complete BH35	
2.1, 5.1- 5.2, 6.1- 6.2	072424-004	Back tube with short push handle, complete BH40	
2.1, 5.1- 5.2, 6.1- 6.2	072424-005	Back tube with short push handle, complete BH45	
3.1-3.3, 6.1-6.2	072425-001	Back tube with Folding push handle, complete BH30	
3.1-3.3, 6.1-6.2	072425-002	Back tube with Folding push handle, complete BH35	
3.1-3.3, 6.1-6.2	072425-003	Back tube with Folding push handle, complete BH40	
3.1-3.3, 6.1-6.2	072425-004	Back tube with Folding push handle, complete BH45	
4.1-4.2, 6.1-6.2	072426-001	Back tube without push handle, complete BH25	
4.1-4.2, 6.1-6.2	072426-002	Back tube without push handle, complete BH30	
4.1-4.2, 6.1-6.2	072426-003	Back tube without push handle, complete BH35	
4.1-4.2, 6.1-6.2	072426-004	Back tube without push handle, complete BH40	
4.1-4.2, 6.1-6.2	072426-005	Back tube without push handle, complete BH45	
4.2	760841001-ET	End stoppers for profile tube	Pack of 10
5.1-5.2	760949901	Accessories back upholstery adjustable (gebogener clamp) cpl.	Pair
5.2	000114005-ET	Countersunk screw ST 3,9 x 16 - DIN 7982	Pack of 25
6.1	066900-005-ET	Button head cap screw M6 x 25 - ISO 7380	Pack of 25
-	072423-006-ET	Back tube, STD, rigid, used with drum brake wheel, BH 25 cm	2 pcs./pack
-	072423-007-ET	Back tube, STD, rigid, used with drum brake wheel, BH 30 cm	2 pcs./pack
-	072423-008-ET	Back tube, STD, rigid, used with drum brake wheel, BH 35 cm	2 pcs./pack
-	072423-009-ET	Back tube, STD, rigid, used with drum brake wheel, BH 40 cm	2 pcs./pack
-	072423-010-ET	Back tube, STD, rigid, used with drum brake wheel, BH 45 cm	2 pcs./pack
-	072430-005	Back tube, STD, angle adjustable, used with drum brake wheel, BH 30 cm	
-	072430-006	Back tube, STD, angle adjustable, used with drum brake wheel, BH 35 cm	
-	072430-007	Back tube, STD, angle adjustable, used with drum brake wheel, BH 40 cm	
-	072430-008	Back tube, STD, angle adjustable, used with drum brake wheel, BH 45 cm	
6.2	000133013-ET	Spring washer B6, DIN 127	25 pcs./pack

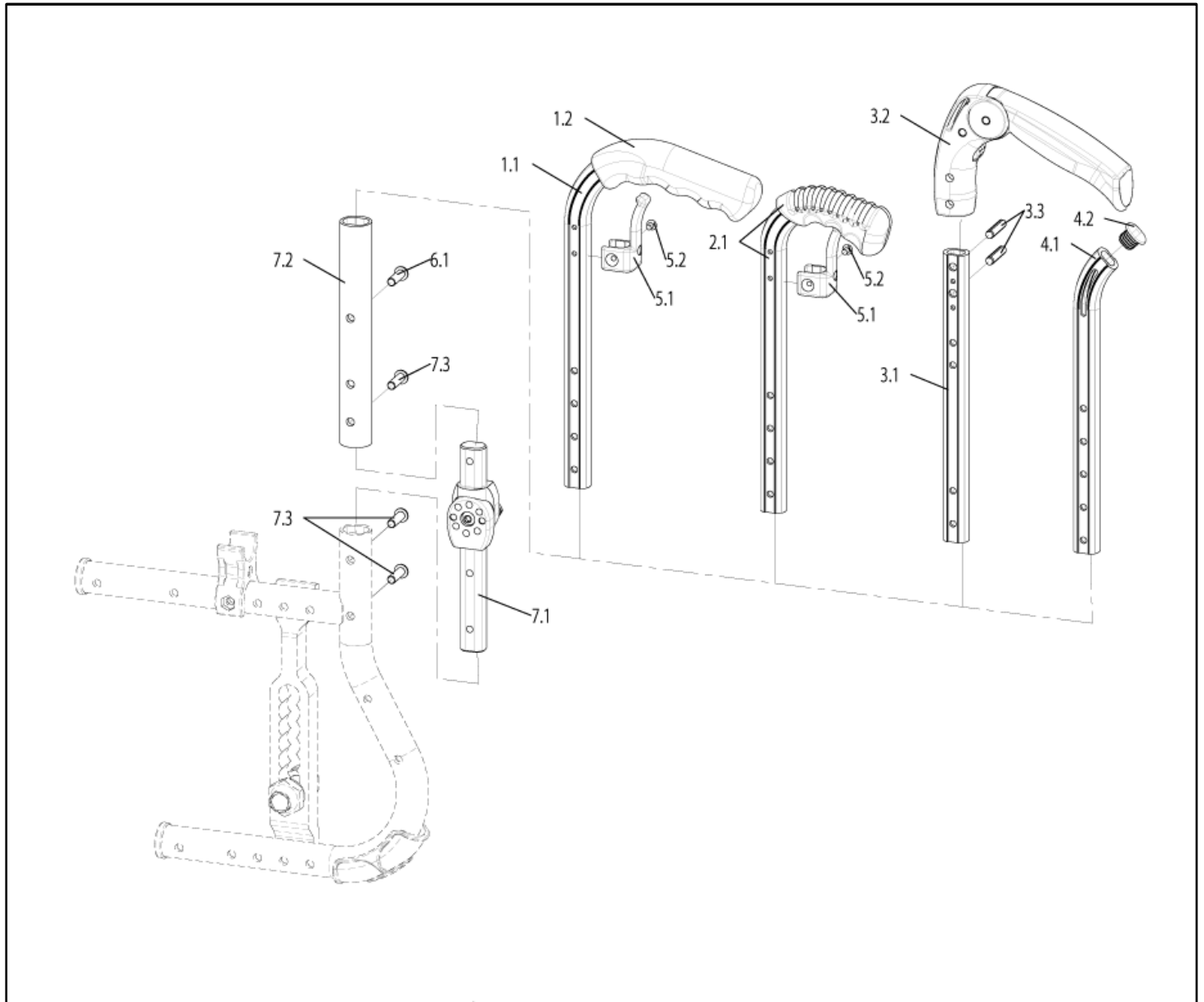
Half Folding Back



Pos	Item number	Description	Comment
1.1-3.2	072427-001	Half Folding Back complete BH40	can be used right & left
1.1-3.2	072427-002	Half Folding Back complete BH45	can be used right & left
1.1-1.2	072428	Half Folding Back Mech complete	
1.2	000102307.01-ET	Button head cap screw M 6 x 20 Torx drive	Pack of 25
2.1-2.4	072429-001-ET	Backtube for Half Folding Back BH40	2 pcs./pack
2.1-2.4	072429-002-ET	Backtube for Half Folding Back BH45	2 pcs./pack
2.2	71104052-ET	Grip for back tube (incl. glue)	Pack of 10
-	000050005	Superglue used with hand grips, 10 g	

Pos	Item number	Description	Comment
2.3	066900-005-ET	Button head cap screw M6 x 25 - ISO 7380	Pack of 25
3.1-3.2	760949901	Accessories back upholstery adjustable (gebogener clamp) cpl.	Pair
3.2	000114005-ET	Countersunk screw ST 3,9 x 16 - DIN 7982	Pack of 25
4.1-4.4	072467	Transport lock cpl. (1Pack for RH and LH)	
4.2	000102304.01ET	Oval head screw M6 x 37 with Torx drive	Pack of 25
4.3	000128007-ET	Hex nut M 6 DIN 985	Pack of 25
4.4	000412.6307-ET	Label - Tie down point -, white	4 pcs./pack
4.4	000412.6309-ET	Label - Tie down point -, black	4 pcs./pack
2.4	000133013-ET	Spring washer B6, DIN 127	25 pcs./pack

Back Angle Adjustable (until week 26/2013)



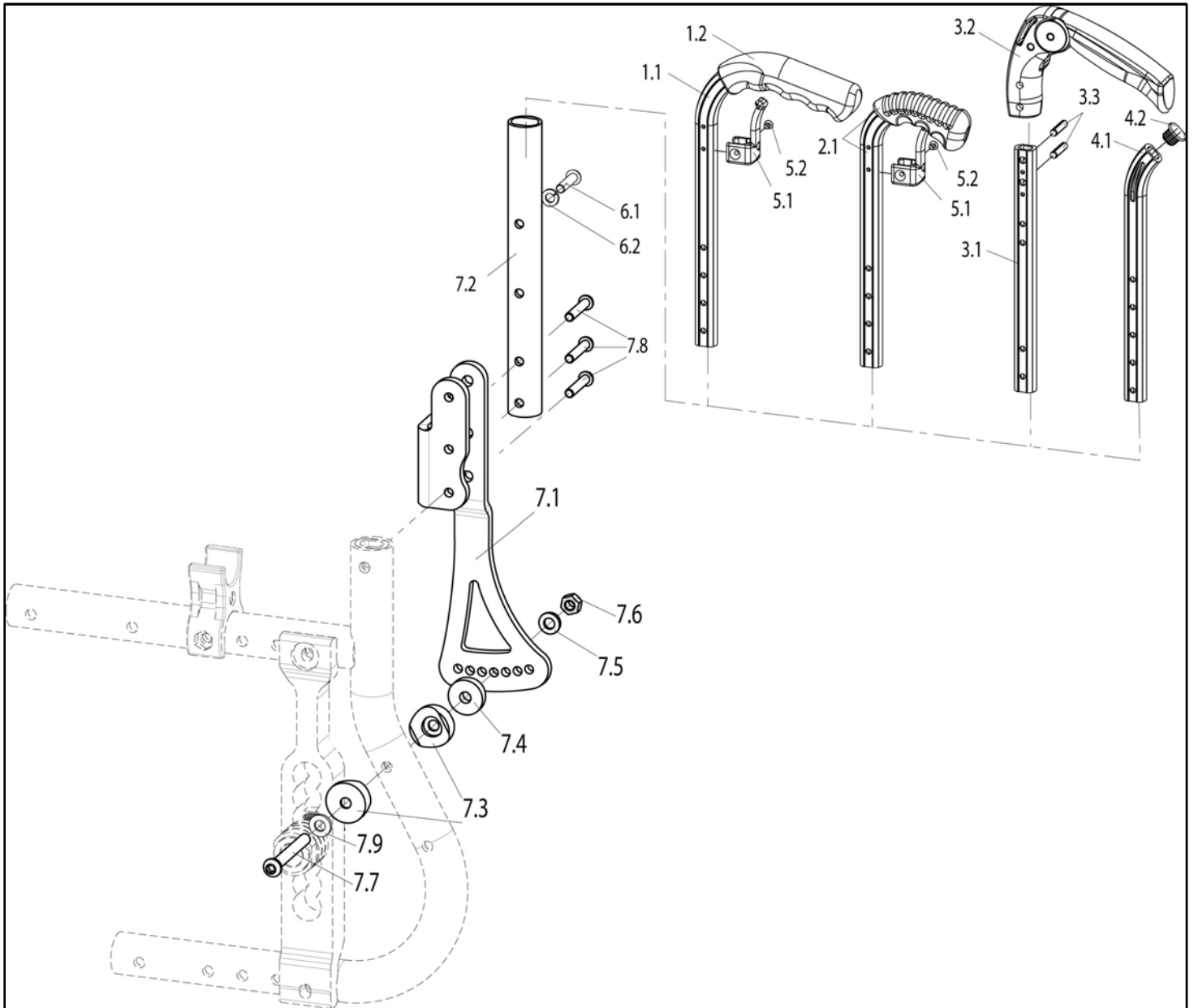
Pos	Item number	Description	Comment
1.1-1.2, 5.1-5.2, 6.1-6.2	072430-001	Rigid back tube Long Push Handles, Angle adj. BH30	
1.1-1.2, 5.1-5.2, 6.1-6.2	072430-002	Rigid back tube Long Push Handles, Angle adj. BH35	
1.1-1.2, 5.1-5.2, 6.1-6.2	072430-003	Rigid back tube Long Push Handles, Angle adj. BH40	
1.1-1.2, 5.1-5.2, 6.1-6.2	072430-004	Rigid back tube Long Push Handles, Angle adj. BH45	
1.2	71104052-ET	Grip for back tube (incl. glue)	10 pcs./pack

Pos	Item number	Description	Comment
-	000050005	Superglue used with hand grips, 10 g	
2.1, 5.1- 5.2, 6.1- 6.2	072431-001	Back tube with short push handle, Angle adj. BH25	
2.1, 5.1- 5.2, 6.1- 6.2	072431-002	Back tube with short push handle, Angle adj. BH30	
2.1, 5.1- 5.2, 6.1- 6.2	072431-003	Back tube with short push handle, Angle adj. BH35	
2.1, 5.1- 5.2, 6.1- 6.2	072431-004	Back tube with short push handle, Angle adj. BH40	
2.1, 5.1- 5.2, 6.1- 6.2	072431-005	Back tube with short push handle, Angle adj. BH45	
3.1-3.3, 6.1-6.2	072432-001	Back tube with Folding push handle, Angle adj. BH35	
3.1-3.3, 6.1-6.2	072432-002	Back tube with Folding push handle, Angle adj. BH40	
3.1-3.3, 6.1-6.2	072432-003	Back tube with Folding push handle, Angle adj. BH45	
4.1-4.2, 6.1-6.2	072433-001	Back tube without push handle, Angle adj. BH25	
4.1-4.2, 6.1-6.2	072433-002	Back tube without push handle, Angle adj. BH30	
4.1-4.2, 6.1-6.2	072433-003	Back tube without push handle, Angle adj. BH35	
4.1-4.2, 6.1-6.2	072433-004	Back tube without push handle, Angle adj. BH40	
4.1-4.2, 6.1-6.2	072433-005	Back tube without push handle, Angle adj. BH45	
4.2	760841001-ET	End stoppers for profile tube	Pack of 10
5.1-5.2	760949901	Accessories back upholstery adjustable (bend clamp) cpl.	Pair
5.2	000114005-ET	Countersunk screw ST 3,9 x 16 - DIN 7982	25 pcs./pack
6.1	066900-005-ET	Button head cap screw M6 x 25 - ISO 7380	25 pcs./pack
6.2	000133013-ET	Spring washer B6, DIN 127	25 pcs./pack

Back Angle Adjustable (until week 26/2013)

Pos	Item number	Description	Comment
7.1-7.3	072434	Hinge for angle adjustable Back	Note: Must be used only when there is already an adjustable back angle in use (with wheelchairs manufactured prior week 26/2013) - not for retrofitting. In case of retrofitting one must order a new back frame and the updated version of the angle adjustable back (both starting week 27/2013).
7.3	000102307.01-ET	Button head cap screw M 6 x 20 Torx drive	Pack of 25
-	072469-001	Back tube for Drumbrake angle adj. BH30	
-	072469-002	Back tube for Drumbrake angle adj. BH35	
-	072469-003	Back tube for Drumbrake angle adj. BH40	
-	072469-004	Back tube for Drumbrake angle adj. BH45	

Back Angle Adjustable (starting week 27/2013)



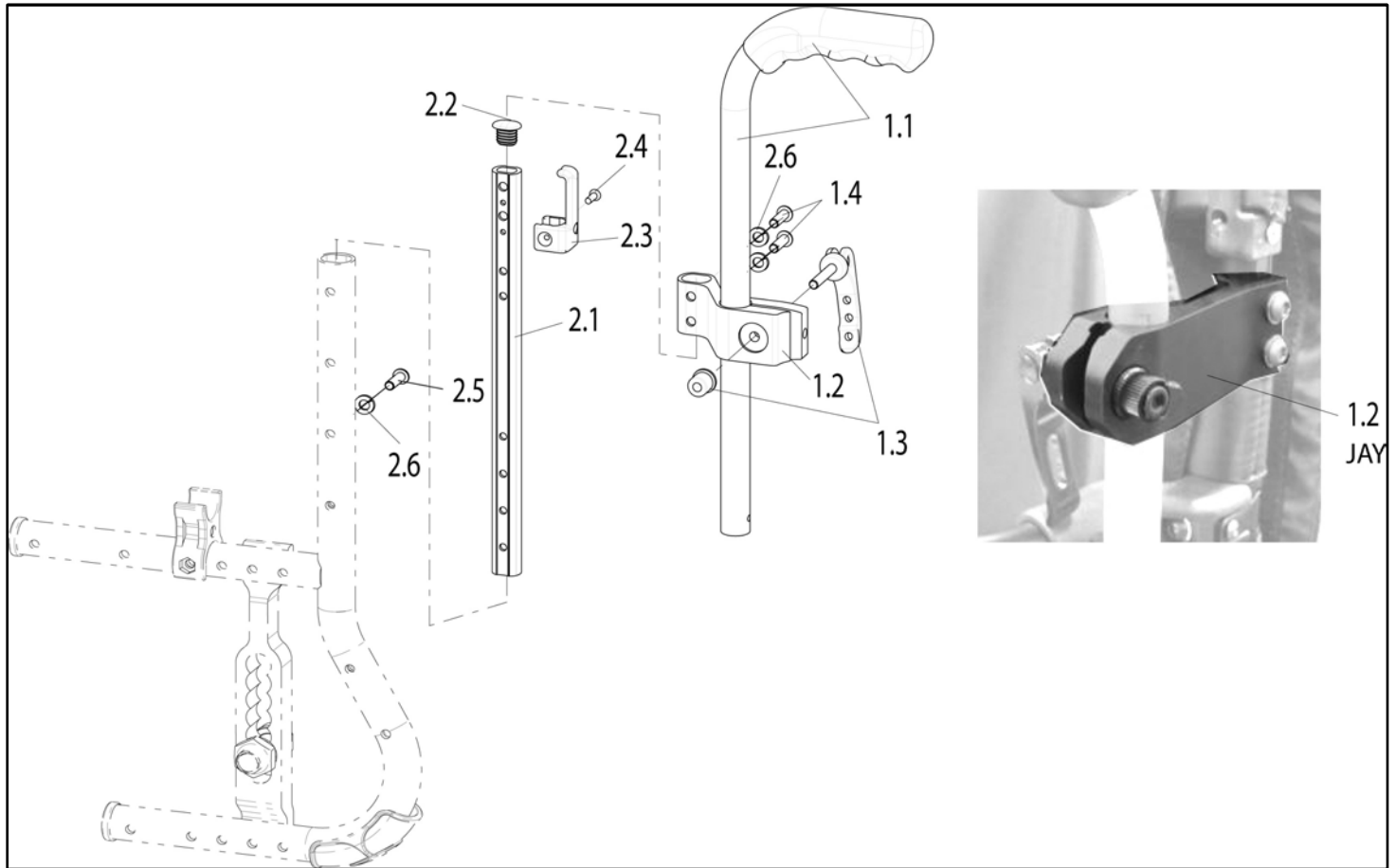
Pos	Item number	Description	Comment
1.1-1.2, 5.1-5.2, 6.2	072430-001	Rigid back tube Long Push Handles, Angle adj. BH30	
1.1-1.2, 5.1-5.2, 6.2	072430-002	Rigid back tube Long Push Handles, Angle adj. BH35	
1.1-1.2, 5.1-5.2, 6.2	072430-003	Rigid back tube Long Push Handles, Angle adj. BH40	
1.1-1.2, 5.1-5.2, 6.2	072430-004	Rigid back tube Long Push Handles, Angle adj. BH45	
1.2	71104052-ET	Grip for back tube (incl. glue)	10 pcs./pack

Back Angle Adjustable (starting week 27/2013)

Pos	Item number	Description	Comment
-	000050005	Superglue used with hand grips, 10 g	
2.1, 5.1-5.2, 6.2	072431-001	Back tube with short push handle, Angle adj. BH25	
2.1, 5.1-5.2, 6.2	072431-002	Back tube with short push handle, Angle adj. BH30	
2.1, 5.1-5.2, 6.2	072431-003	Back tube with short push handle, Angle adj. BH35	
2.1, 5.1-5.2, 6.2	072431-004	Back tube with short push handle, Angle adj. BH40	
2.1, 5.1-5.2, 6.2	072431-005	Back tube with short push handle, Angle adj. BH45	
3.1-3.3, 6.2	072432-001	Back tube with Folding push handle, Angle adj. BH35	
3.1-3.3, 6.2	072432-002	Back tube with Folding push handle, Angle adj. BH40	
3.1-3.3, 6.2	072432-003	Back tube with Folding push handle, Angle adj. BH45	
4.1-4.2, 6.2	072433-001	Back tube without push handle, Angle adj. BH25	
4.1-4.2, 6.2	072433-002	Back tube without push handle, Angle adj. BH30	
4.1-4.2, 6.2	072433-003	Back tube without push handle, Angle adj. BH35	
4.1-4.2, 6.2	072433-004	Back tube without push handle, Angle adj. BH40	
4.1-4.2, 6.2	072433-005	Back tube without push handle, Angle adj. BH45	
-	072469-001	Back tube for Drumbrake angle adj. BH30	
-	072469-002	Back tube for Drumbrake angle adj. BH35	
-	072469-003	Back tube for Drumbrake angle adj. BH40	
-	072469-004	Back tube for Drumbrake angle adj. BH45	
4.2	760841001-ET	End stoppers for profile tube	Pack of 10
5.1-5.2	760949901	Accessories back upholstery adjustable (gebogener clamp) cpl.	Pair
5.2	000114005-ET	Countersunk screw ST 3,9 x 16 - DIN 7982	Pack of 25
6.1	066900-005-ET	Button head cap screw M6 x 25 - ISO 7380	Pack of 25
7.1-7.9	07204001	Angle adjustable back cpl.	left
7.1-7.9	07204002	Angle adjustable back cpl.	right
7.1-7.9	07204003	Angle adjustable back cpl.	pair
7.3	000831232-ET	Half-liner for brake holder	Pack of 10
7.4	000130103-ET	Washer 20 x 6.4 x 5	pack of 4
7.5	000130107-ET	Washer 6,4 DIN 9021	Pack of 25
7.6	000128007-ET	Hex nut M 6 DIN 985	Pack of 25
7.7	000102313.01-ET	Oval head screw M6 x 50 with Torx drive	Pack of 25
7.8	000102312.01-ET	Oval-head screw M 6 x 32 with Torx drive	Pack of 25
7.9	066947-001-ET	Washer A6,4 DIN9021	Pack of 25

Pos	Item number	Description	Comment
6.2	000133013-ET	Spring washer B6, DIN 127	25 pcs./pack

Height Adjustable Push Handle



Pos	Item number	Description	Comment
1.1-2.6	072435-001	Height-adjustable push handle and Backtube BH30 used with JAY backrest and autofolding stabilizer bar	LH/RH useable
1.1-2.6	072435-002	Height-adjustable push handle and Backtube BH35 used with JAY backrest and autofolding stabilizer bar	LH/RH useable
1.1-2.6	072435-003	Height-adjustable push handle and Backtube BH40 used with JAY backrest and autofolding stabilizer bar	LH/RH useable
1.1-2.6	072435-004	Height-adjustable push handle and Backtube BH45 used with JAY backrest and autofolding stabilizer bar	LH/RH useable
1.1-2.6	072435-006	Height-adjustable push handle and Backtube BH30 used with standard backrest and angle adjustable backrest	LH/RH useable
1.1-2.6	072435-007	Height-adjustable push handle and Backtube BH35 used with standard backrest and angle adjustable backrest	LH/RH useable
1.1-2.6	072435-008	Height-adjustable push handle and Backtube BH40 used with standard backrest and angle adjustable backrest	LH/RH useable
1.1-2.6	072435-009	Height-adjustable push handle and Backtube BH45 used with standard backrest and angle adjustable backrest	LH/RH useable
1.1	000841264-ET	Height-adjustable push handle, BH 25 - 27.5 cm, black anodized	2 pcs./pack
1.1	000841265-ET	Height-adjustable push handle, BH 30 - 37.5 cm, black anodized	2 pcs./pack
1.1	000841266-ET	Height-adjustable push handle, BH 40 - 50 cm, black anodized	2 pcs./pack

Height Adjustable Push Handle

Pos	Item number	Description	Comment
-	000 841 268	Height-adjustable push handle used with drum brakes, complete BH: 30 - 37.5 Length approx. 350 mm	
-	000 841 269	Height-adjustable push handle used with drum brakes, complete BH: 40 - 47.5 Length approx. 270 mm	
1.2-1.4	065432	Push handle holder with quick tensioner used with JAY backrest and autofolding stabilizer bar complete	Pair
1.2-1.4	051456	Push handle holder with quick tensioner used with standard backrest and angle adjustable backrest complete	LH/RH useable
1.4	000102307.01-ET	Button head cap screw M 6 x 20 Torx drive	Pack of 25
2.1-2.6	072436-001	Backtube and Fitting accessories for back sling BH30	LH/RH useable
2.1-2.6	072436-002	Backtube and Fitting accessories for back sling BH35	LH/RH useable
2.1-2.6	072436-003	Backtube and Fitting accessories for back sling BH40	LH/RH useable
2.1-2.6	072436-004	Backtube and Fitting accessories for back sling BH45	LH/RH useable
2.3-2.4	760949902	Accessories back upholstery adjustable (straight line clamp) cpl.	Pair
2.4	000114005-ET	Countersunk screw ST 3,9 x 16 - DIN 7982	Pack of 25
2.5	066900-005-ET	Button head cap screw M6 x 25 - ISO 7380	Pack of 25
1.3	000233027	Quick release lever cpl.	
2.6	000133013-ET	Spring washer B6, DIN 127	25 pcs./pack

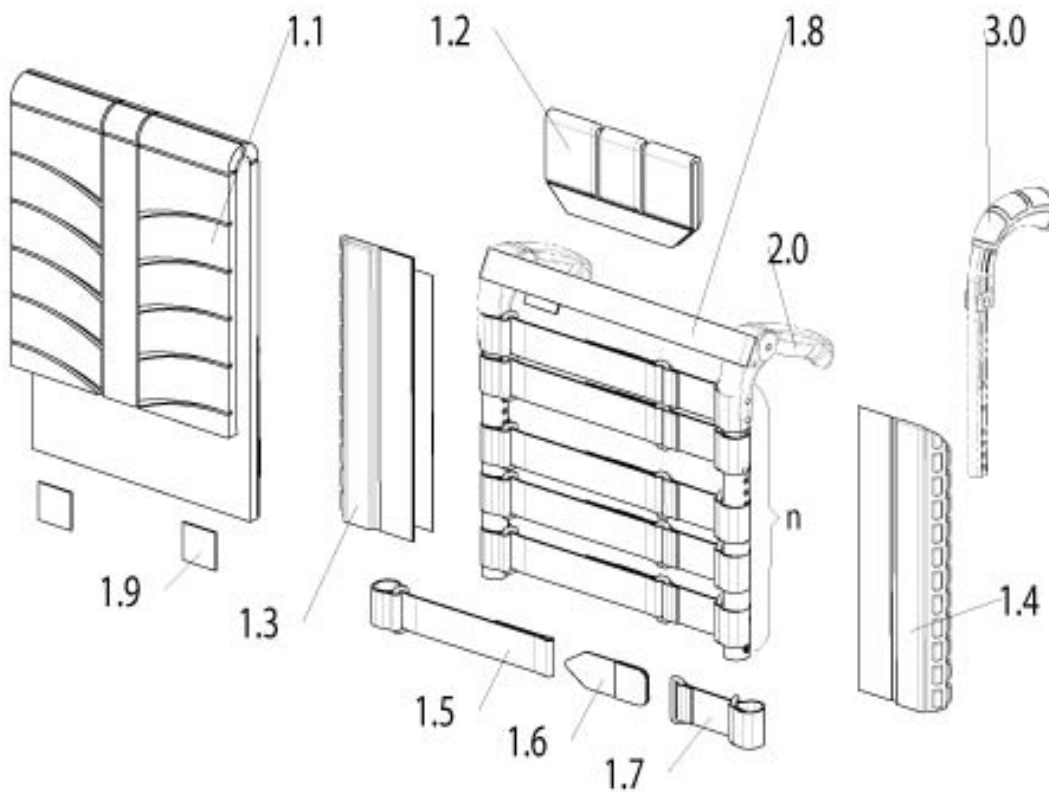
Stabilizer bar, autofolding

Stabilizer bar, autofolding

Pos	Item number	Description	Comment
1	065720-001	Stabilising bar autofolding SW 36	
1	065720-002	Stabilising bar autofolding SW 38	
1	065720-003	Stabilising bar autofolding SW 40	
1	065720-004	Stabilising bar autofolding SW 42	
1	065720-005	Stabilising bar autofolding SW 44	
1	065720-007	Stabilising bar autofolding SW 46	
1	065720-008	Stabilising bar autofolding SW 48	
1	065720-009	Stabilising bar autofolding SW 50	
2	065725	Mounting accessories used with autofolding stabilizer bar	2 pcs/pack, Note: mounting accessories must be additionally used with Easy 200/300, Easy Life, Easy Life i (angle adjustable back) and Xenon SA

EXO Backrest upholstery, with long and fold down pushhandles

BH/RH in cm	Pos	n
25		
27,5		
30		
32,5	2.0	4
35	2.0	5
37,5	2.0	5
40	2.0	6
42,5	2.0	6
45	2.0	7
47,5	2.0	7
25 - 30	2.0	4
30 - 35	2.0	5
35 - 40	2.0	5
40 - 45	2.0	6
45 - 47,5	2.0	7
25	3.0	4
27,5	3.0	4
30	3.0	5
32,5	3.0	5
35	3.0	5
37,5	3.0	6
40	3.0	6
42,5	3.0	7
45	3.0	7
47,5	3.0	7
25 - 30	3.0	4
30 - 35	3.0	5
35 - 40	3.0	5
40 - 45	3.0	6
45 - 47,5	3.0	7



Pos	Item number	Description	Comment
1.1	06804022-001	EXO Backrest sling, synthetic fibre, padded, adjustable, 1 accessory bag, black, SW 20 - 42 with BH 20 - 40	Please order back belts, side and backrest pads separately
1.1	06804022-002	EXO Backrest sling, synthetic fibre, padded, adjustable, 1 accessory bag, black, SW 20 - 42 with BH 42,5 - 47,5 or SW 44 - 60 with BH 20 - 47,5	Please order back belts, side and backrest pads separately
1.1	06804023-001	EXO PRO Backrest sling, adjustable, breathable, 1 accessory bag, black, SW 20 - 42 with BH 20 - 40	Please order back belts, side and backrest pads separately
1.1	06804023-002	EXO PRO Backrest sling, adjustable, breathable, 1 accessory bag, black, SW 20 - 42 with BH 42,5 - 47,5 or SW 44 - 60 with BH 20 - 47,5	Please order back belts, side and backrest pads separately

EXO Backrest upholstery, with long and fold down pushhandles

Pos	Item number	Description	Comment
1.2	06804070-000	Back rest pad	
1.3-1.4	06804010-100	Side pad - used with long, short and fold down pushhandles	2 pcs.
1.5-1.7	06804031-001	Back belt cpl. SW22-42 (quantity needed see alongside chart)	1 pc
1.5-1.7	06804031-002	Back belt cpl. SW44-48 (quantity needed see alongside chart)	1 pc
1.5-1.7	06804031-003	Back belt cpl. SW50-60 (quantity needed see alongside chart)	1 pc
1.8	066877	Top backrest belt	
1.9	000069323-ET	Hook strap	2 pcs.
-	000849042	Shopping net	
1.10	06804110	Hook strap for mounting new upholstery on existing back belts	2m

EXO Backrest upholstery, with height adjustable pushhandles or without pushhandles

BH in cm	Pos	n
25	3.0	3
27,5	3.0	3
30	3.0	4
32,5	3.0	4
35	3.0	5
37,5	3.0	5
40	3.0	5
42,5	3.0	6
45	3.0	6
47,5	3.0	6
25 - 30	3.0	3
30 - 35	3.0	4
35 - 40	3.0	5
40 - 45	3.0	5
45 - 47,5	3.0	6

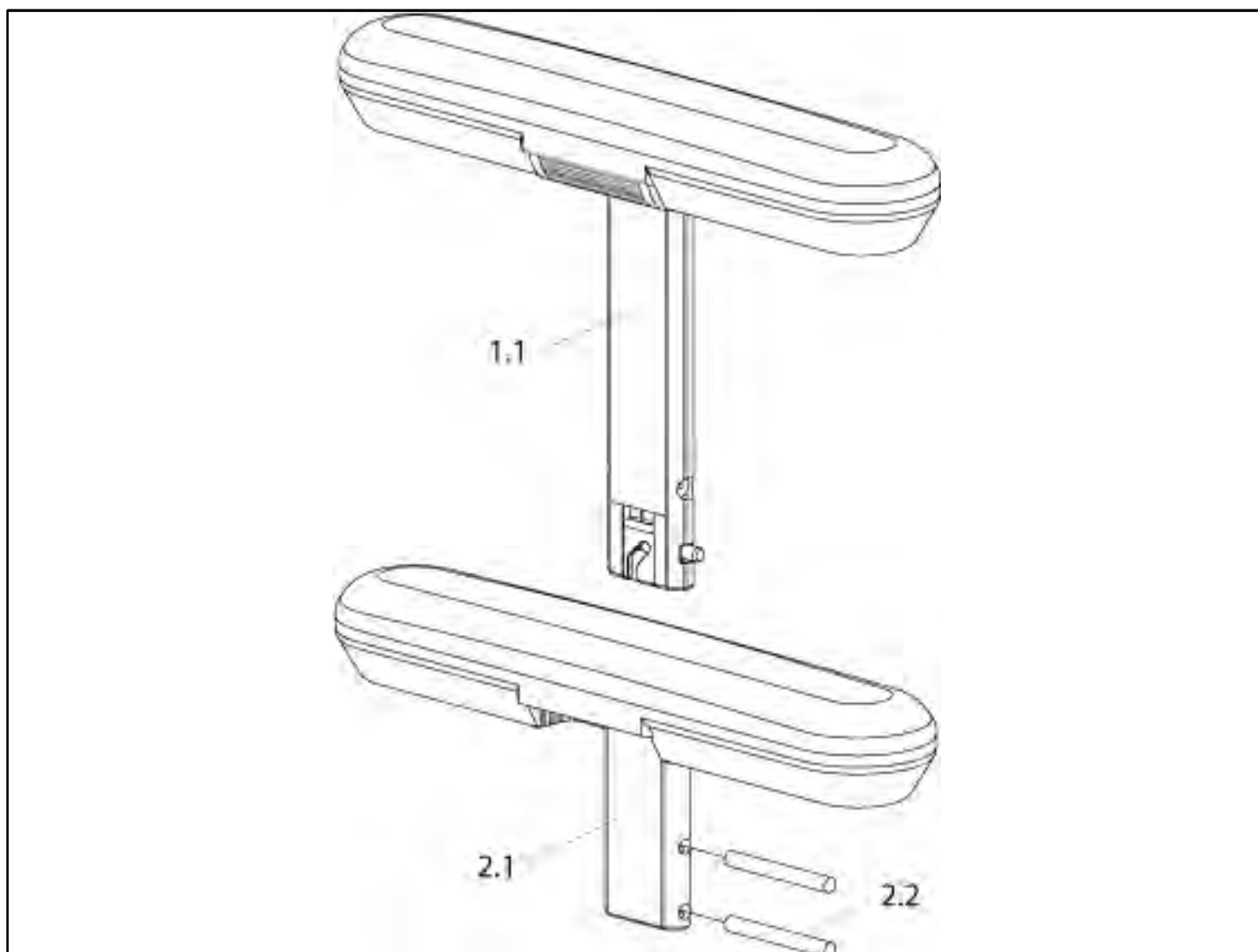
BH in cm	Pos	n
30-35	2.0	3
35-40	2.0	4
40-45	2.0	4
45-47,5	2.0	5

Pos	Item number	Description	Comment
1.1	06804022-001	EXO Backrest sling, synthetic fibre, padded, adjustable, 1 accessory bag, black, SW 20 - 42 with BH 20 - 40	Please order back belts, side and backrest pads separately
1.1	06804022-002	EXO Backrest sling, synthetic fibre, padded, adjustable, 1 accessory bag, black, SW 20 - 42 with BH 42,5 - 47,5 or SW 44 - 60 with BH 20 - 47,5	Please order back belts, side and backrest pads separately
1.1	06804023-001	EXO PRO Backrest sling, adjustable, breathable, 1 accessory bag, black, SW 20 - 42 with BH 20 - 40	Please order back belts, side and backrest pads separately
1.1	06804023-002	EXO PRO Backrest sling, adjustable, breathable, 1 accessory bag, black, SW 20 - 42 with BH 42,5 - 47,5 or SW 44 - 60 with BH 20 - 47,5	Please order back belts, side and backrest pads separately

EXO Backrest upholstery, with height adjustable pushhandles or without pushhandles

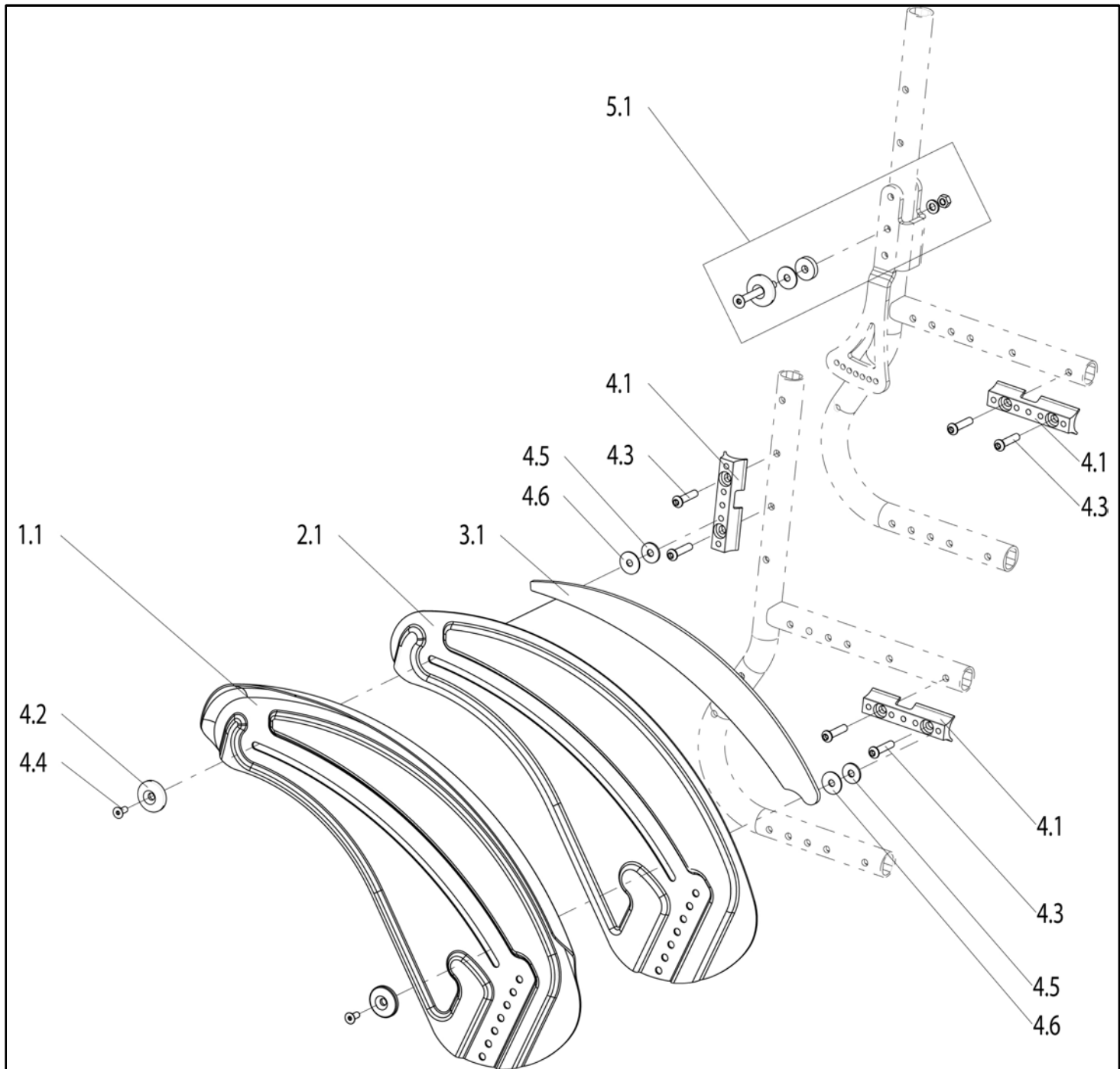
Pos	Item number	Description	Comment
1.2	06804070-000	Back rest pad	
1.3- 1.4	06804075- 020	Side pad - used with height adjustable pushhandles	pair
1.5- 1.6	06804075- 010	Side pad - used without pushhandles	2 pcs.
1.7-1.9	06804031-001	Back belt cpl. SW22-42 (quantity needed see alongside chart)	1 pc
1.7-1.9	06804031-002	Back belt cpl. SW44-48 (quantity needed see alongside chart)	1 pc
1.7-1.9	06804031-003	Back belt cpl. SW50-60 (quantity needed see alongside chart)	1 pc
1.10	06804110	Hook strap for mounting new upholstery on existing back belts	2m
1.11	066877	Top backrest belt	
1.12	000069323-ET	Hook strap	2 pcs.
-	000849042	Shopping net	

Armpad for Desk Sideguard



Pos	Item number	Description	Comment
1.1	054449-001	Short armpad, height-adjustable, complete	Pair
1.1	054449	Short armpad, height-adjustable, complete	can be used right and left
1.1	054449-002	Long armpad, height-adjustable, complete	Pair
1.1	054449-003	Long armpad, height-adjustable, complete	right
1.1	054449-004	Long armpad, height-adjustable, complete	left
2.1-2.2	054428-001	Short armpad, fixed, complete	Pair
2.1-2.2	054428-007	Short armpad, fixed, complete	can be used right and left
2.1-2.2	054428-002	Long armpad, fixed, complete	Pair
2.1-2.2	054428-003	Long armpad, fixed, complete	right
2.1-2.2	054428-005	Long armpad, fixed, complete	left
2.2	000156014-ET	split pin 5x45	10 Pce/Pg.

Aluminium Sideguard without/with Clothes Protector

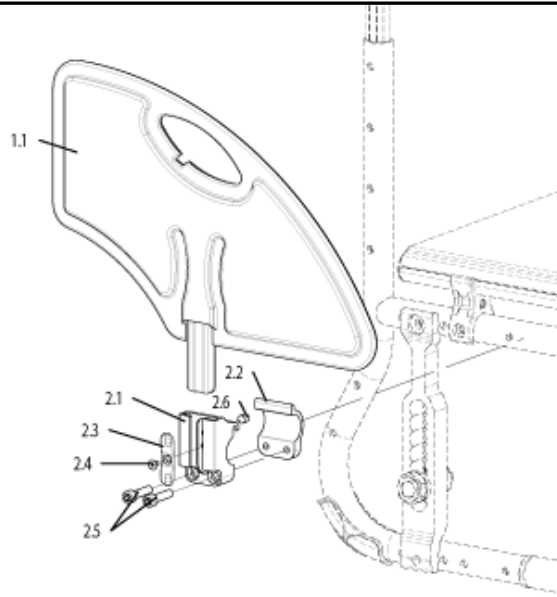


Pos	Item number	Description	Comment
1.1,3.1,4.1,4.4	072437	Aluminum Sideguard with Fender and cold Protection complete	Pair
1.1,3.1,4.4	072438	Aluminum Sideguard with Fender and cold Protection complete	left
1.1,3.1,4.1,4.4	072439	Aluminum Sideguard with Fender and cold Protection complete	right
1.1	072461	Aluminium Sideguard powder coated	left
1.1	072462	Aluminium Sideguard powder coated	right

Aluminium Sideguard without/with Clothes Protector

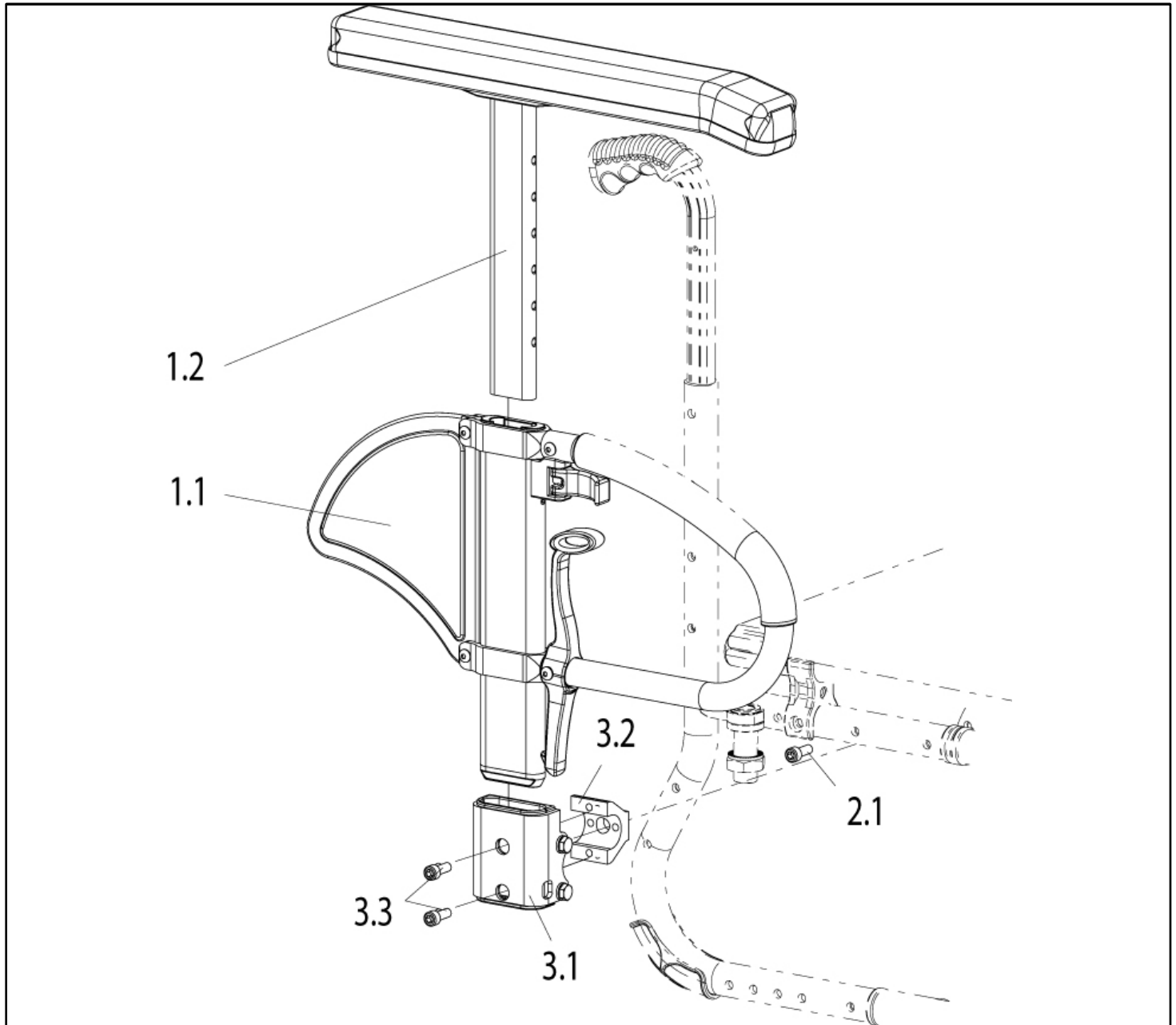
Pos	Item number	Description	Comment
2.1,3.1,4.1 4.4	072440	Aluminum Sideguard with cold Protection complete	Pair
2.1,3.1,4.1 4.4	072441	Aluminum Sideguard with cold Protection complete	left
2.1,3.1,4.1 4.4	072442	Aluminum Sideguard with cold Protection complete	right
2.1	072463	Aluminium Sideguard powder coated	left
2.1	072464	Aluminium Sideguard powder coated	right
3.1	066435-001	Cold protection	left
3.1	066435-002	Cold protection	right
4.1-4.4	072443	Mounting accessories used with sideguard	
5.1	07204005	Mounting accessories used with sideguard mounting low and angle adjustable backrest	
4.2	066458-ET	Rosette for sideguard	10 pcs./pack
4.3	000102311.01-ET	Oval-head screw M 6 x 27 with Torx drive	25 pcs./pack
4.4	066902-001-ET	Counter sunk screw M 6 x 16 - DIN 7991	25 pcs./pack

Plastic Sideguard, detachable



Pos	Item number	Description	Comment
1.1-2.6	072444	Plastic Sideguard regular, detachable with Fixation Bracket cpl.	Pair
1.1-2.6	072445	Plastic Sideguard regular, detachable with Fixation Bracket cpl.	can be used right & left
1.1	104164-001	Quickie Sidegurad plastic, removeable	can be used right & left
2.1-2.6	072446	Fixation Bracket for Plastic Sideguard cpl.	
2.5	058900-005-ET	Socket button head screw M 6 x 25 - DIN 912	Pack of 25

Single Post Sideguard with Armpad

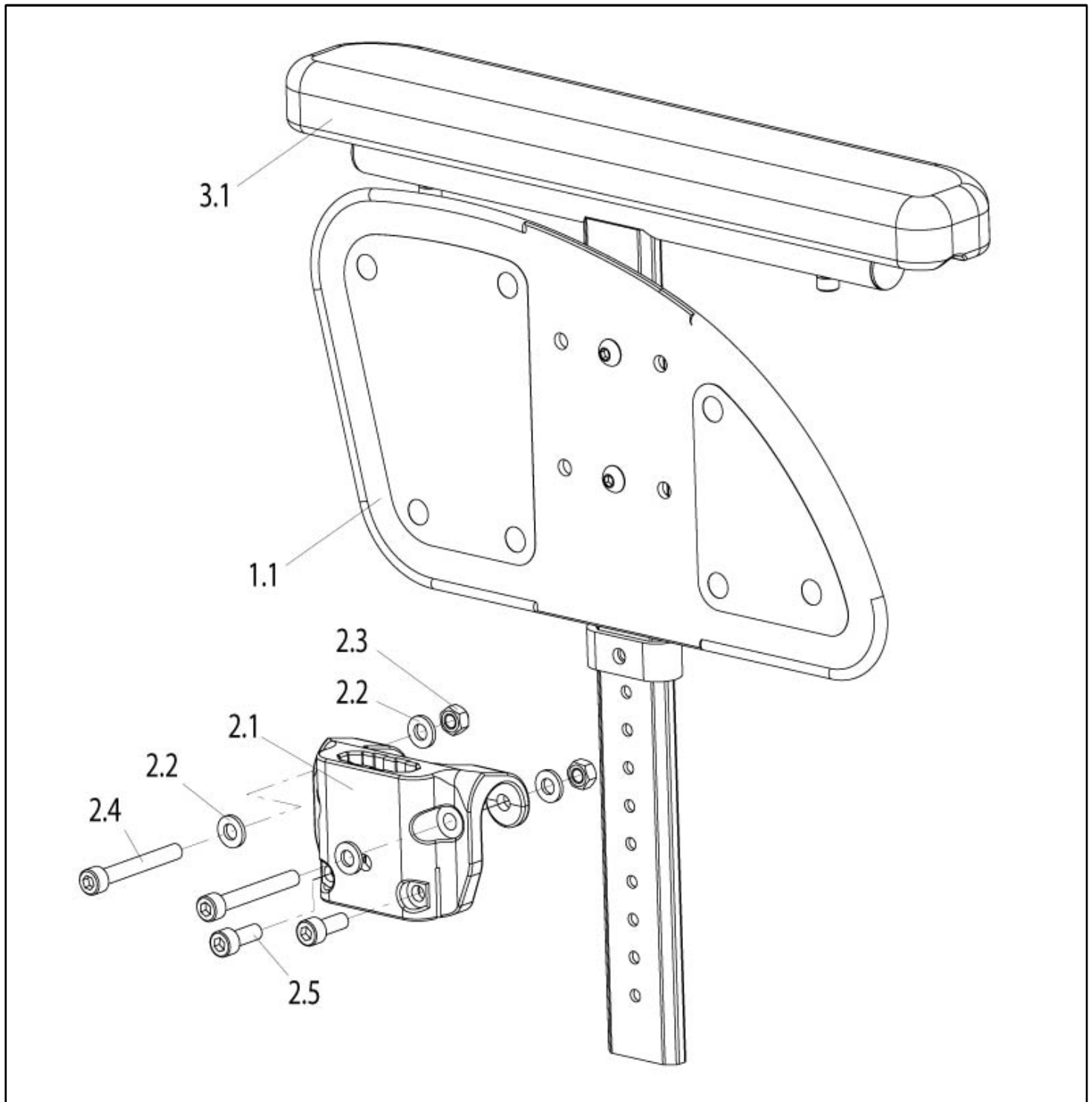


Pos	Item number	Description	Comment
1.1-3.3	072447-001	Single Post Sideguard with Armpad large (36 cm) and Fixation Bracket cpl.	Pair
1.1-3.3	072448-001	Single Post Sideguard with Armpad large (36 cm) and Fixation Bracket cpl.	can be used right & left
1.1-3.3	072447-002	Single Post Sideguard with Armpad short (25 cm) and Fixation Bracket cpl.	Pair
1.1-3.3	072448-002	Single Post Sideguard with Armpad short (25 cm) and Fixation Bracket cpl.	can be used right & left
1.2	072460-001	Armpad short (25 cm) cpl.	can be used right & left

Single Post Sideguard with Armpad

Pos	Item number	Description	Comment
1.2	072460-002	Armpad large (36 cm} cpl.	can be used right & left
2.1-3.3	072450	Fixation Bracket cpl.	can be used right & left
3.2	760861002	Bracket for brake	
3.3	058900-003-ET	Socket head screw M 6 x 16 - DIN 912	Pack of 25
	000102231-ET	Set screw M 6 x 10 DIN 551	25 Pcs.

Single post tool height adjustable armrest



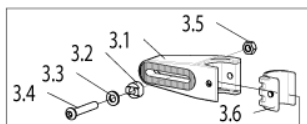
Pos	Item number	Description	Comment
1.1	067870-001	Tool height adjustable armrest	left
1.1	067870-002	Tool height adjustable armrest	right
2.1-2.5	067882	Fixation Bracket for tool height adj. armrest cpl.	LH/RH useable
2.2	058904-ET	Washer A 6,4 DIN 125	25 pcs./pack

Single post tool height adjustable armrest

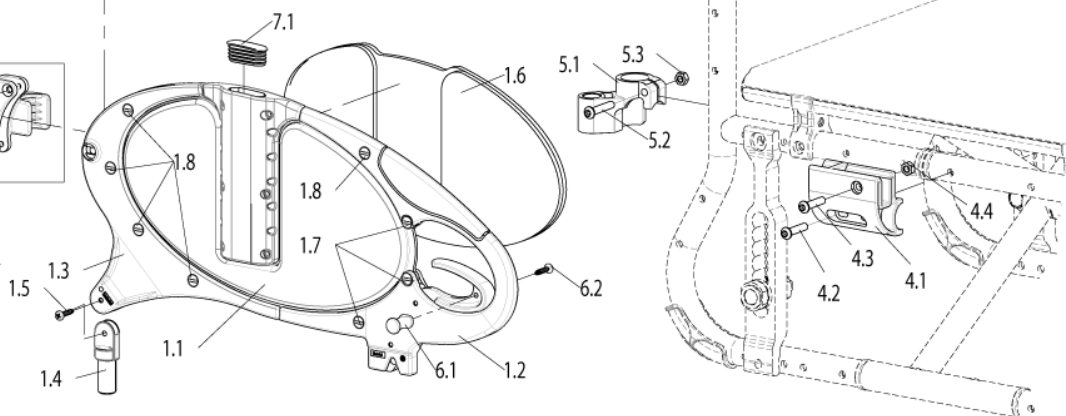
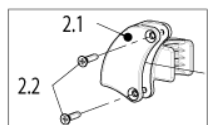
Pos	Item number	Description	Comment
2.3	058903-ET	Hex nut M 6 DIN 985	25 pcs./pack
2.4	000102018-ET	Socket cap screw M 6 x 45 DIN 912	10 pcs./pack
2.5	000102011-ET	Socket cap screw M 6 x 16 DIN 912	25 pcs./pack
3.1	067925	Armrest with fixing accessories cpl.	LH & RH usable

Desk Sideguard (until week 34/2012)

Halter hinten für Rücken winkelverstellbar
Bracket used with angle adjustable backrest



Halter hinten für Rücken STD /
Rücken abklappbar
Bracket used with STD backrest /
swing away backrest

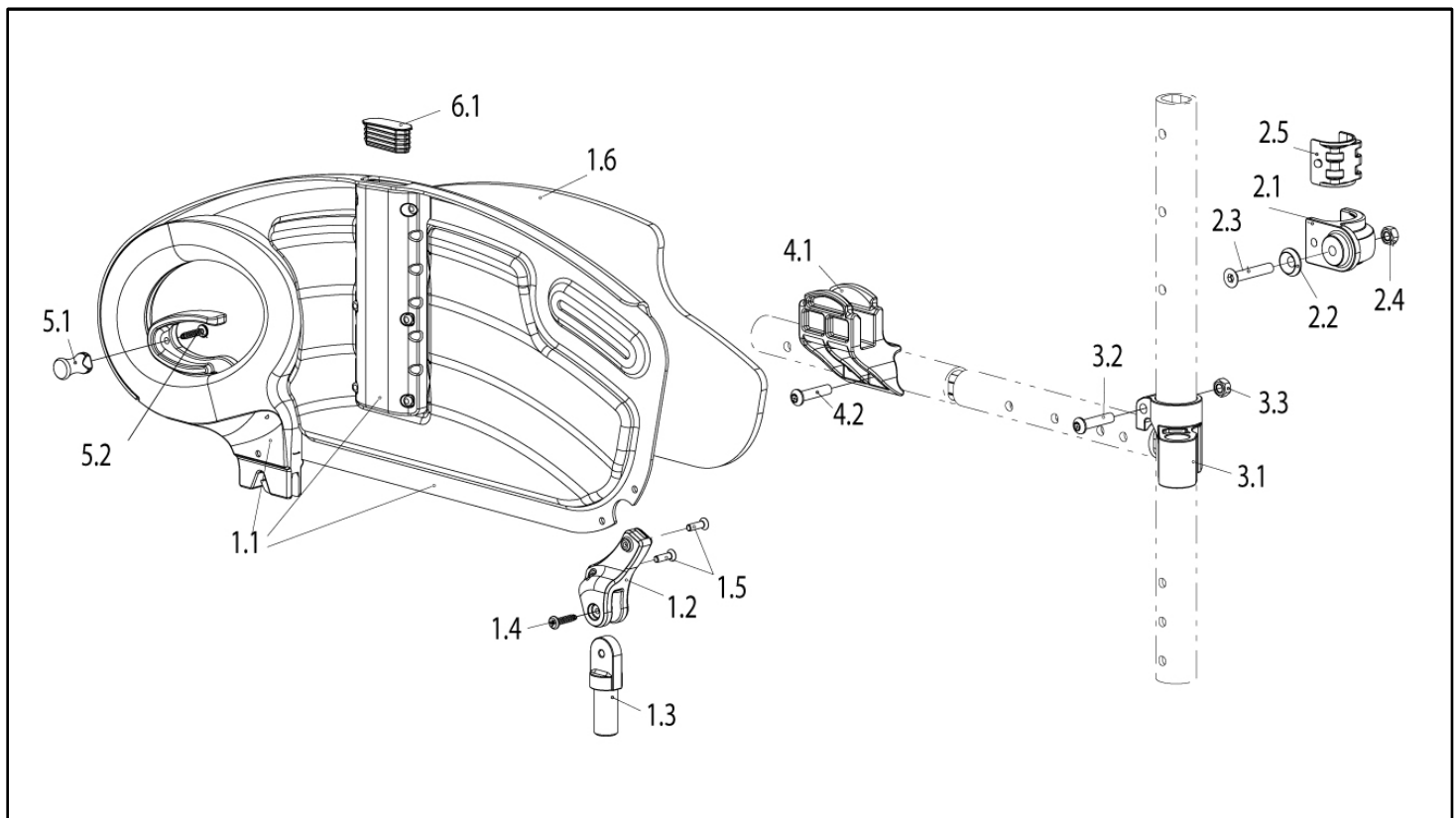


Pos	Item number	Description	Comment
1.2,1.7-1.8	054432-ET	Front cover with rivets	
1.3,1.8,2.2	072459	Rear cover with rivets and hinge (Standard & Half Folding Back)	
1.3,1.8,3.1-3.6	072457	Rear cover with rivets and hinge Angle adjustable Back)	
1.5	000104121	EJOT PT Screw K40 - D4 x 18 1412	
1.6	054451-002	Cold/heat/pressure protector for sideguard	
1.6	054451-001	Cold/heat/pressure protector for sideguard	
1.7	000282116-ET	Snip Snap rivet - 5.5 x 8.5	Pack of 20
1.8	000282115-ET	Snip Snap rivet - 5.5 x 12.8	Pack of 20
2.1-2.2	072458-001	Rear Sideguard Fixation left (Standard & Half Folding Back)	
2.2	000104123-ET	Countersunk srew M 5 x 22 PZD DIN7500	Pack of 25
2.1-2.2	072458-002	Rear Sideguard Fixation right (Standard & Half Folding Back)	
2.2	000104123-ET	Countersunk srew M 5 x 22 PZD DIN7500	Pack of 25
3.2	054459	Lock washer	
3.3	000130107-ET	Washer A6.4 DIN 125	Pack of 25
3.4	000102304.01-ET	Lens head screw M 6 x 35, 8.8 , Tufloc, Trx	Pack of 25

Desk Sideguard (until week 34/2012)

Pos	Item number	Description	Comment
3.5	000128007-ET	Hex nut M 6 DIN 985	
4.1-4.4	760842053	Front lower hinge receiver cpl.	RH
4.2	000102304.01-ET	Lens head screw M 6 x 35, 8.8 , Tufloc, Trx	Pack of 25
4.3	000102304.01-ET	Lens head screw M 6 x 35, 8.8 , Tufloc, Trx	Pack of 25
4.4	000128007-ET	Hex nut M 6 DIN 985	Pack of 25
5.1-5.3	760842054	Hinge receiver for sideguard cpl.	RH
5.1-5.3	760742054	Hinge receiver for sideguard cpl.	LH
5.2	000102311.01-ET	Oval-head screw M 6 x 27 with Torx drive	
5.3	000128007-ET	Hex nut M 6 DIN 985	Pack of 25
6.1-6.2	054493-010	Tetra - handle bar for Desk-sideguard	
7.1	054430	Cap for sideguard	

Desk sideguard (starting week 35/2012)

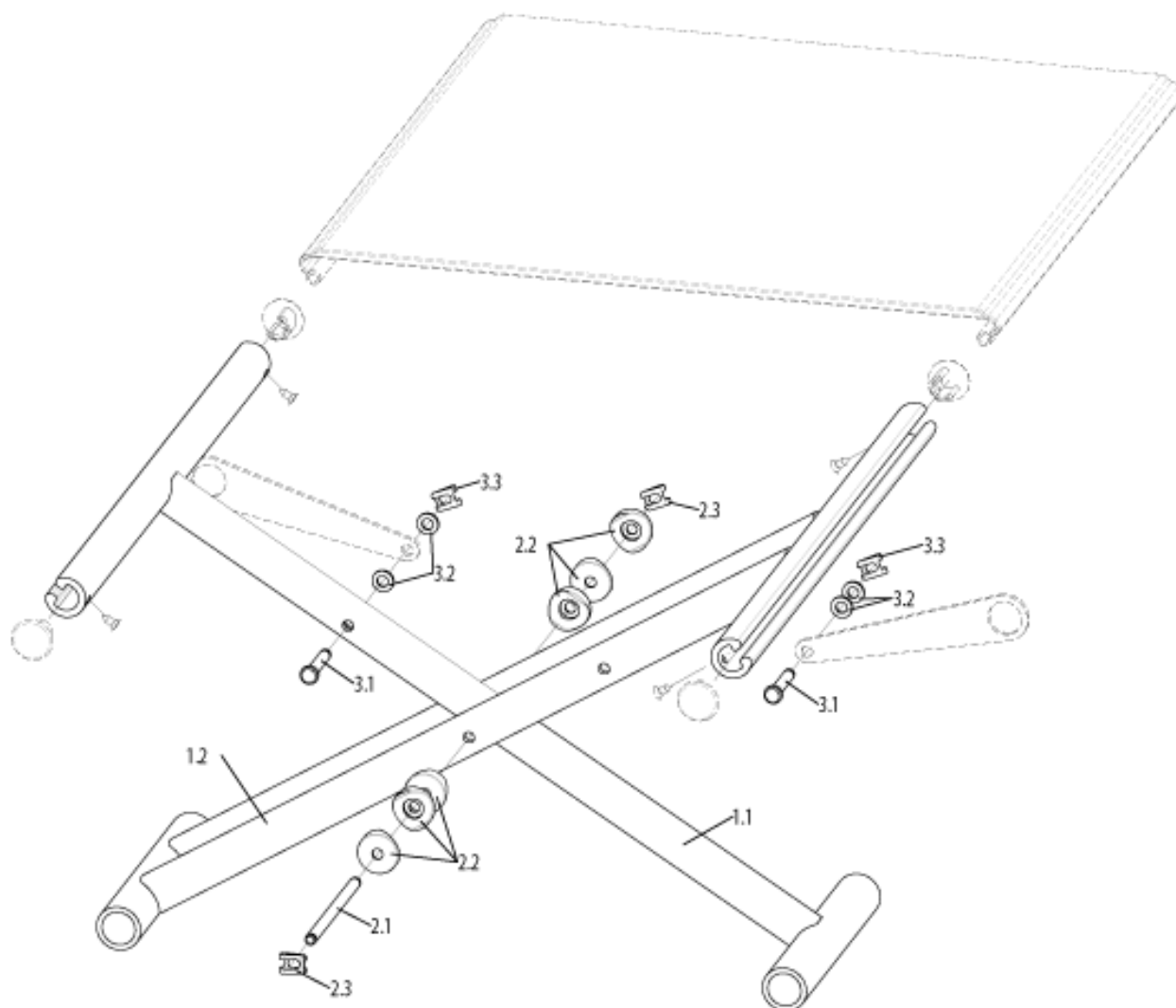


Pos	Item number	Description	Comment
1.1-1.6	71104033-001	Desk sideguard complete (standard and angle adjustable backrest)	LH
1.1-1.6	71104033-002	Desk sideguard complete (standard and angle adjustable backrest)	RH
1.1-1.6	71104033-003	Desk sideguard complete (standard and angle adjustable backrest)	pair
1.1-1.5	71104043-001	Desk sideguard plate with hinge (w/o cold protection)	LH
1.1-1.5	71104043-002	Desk sideguard plate with hinge (w/o cold protection)	RH
1.2-1.5	71104035-001	Rear hinge complete	LH
1.2-1.5	71104035-002	Rear hinge complete	RH
1.5	000104139-ET	Countersunk head screw for plastic - D4x16 - A2	Pack of 25
-	71104032-001	Cold protection	RH
1.6	71104032-002	Cold protection	LH
2.1-2.5	71104036-002	Saddle used with desk side guard, rear, frame tube diameter d = 23 mm (standard and angle adj. backrest)	
2.2	000138017-ET	Countersunk washer for M 6	Pack of 25
2.3	000104073-ET	Countersunk head screw DIN 7991 - M6 x 35 - A2-70	Pack of 25
2.4	000128007-ET	Hex nut M 6, DIN 985	Pack of 25
3.1-3.3	760742054	Hinge receiver back tube cpl. (used with tube diameter d = 23 mm)	LH
3.1-3.3	760842054	Hinge receiver back tube cpl. (used with tube diameter d = 23 mm)	RH
3.2	000102311.01-ET	Lens head screw M 6 x 27 with Torx drive	Pack of 25
3.3	000128007-ET	Hex nut M 6, DIN 985	Pack of 25

Desk sideguard (starting week 35/2012)

Pos	Item number	Description	Comment
4.1-4.2	71104038-001	Side guard receiver, front cpl.	LH
4.1-4.2	71104038-002	Side guard receiver, front cpl.	RH
4.2	000102311.01-ET	Lens head screw M 6x27 with Torx drive	Pack of 25
5.1-5.2	054493-010	Tetra handle bar used with desk side guard	
6.1	054430	Cap used with desk side guard	
-	000102223	Set screw M6x5 - Poly	10 pcs./pack

Cross Brace



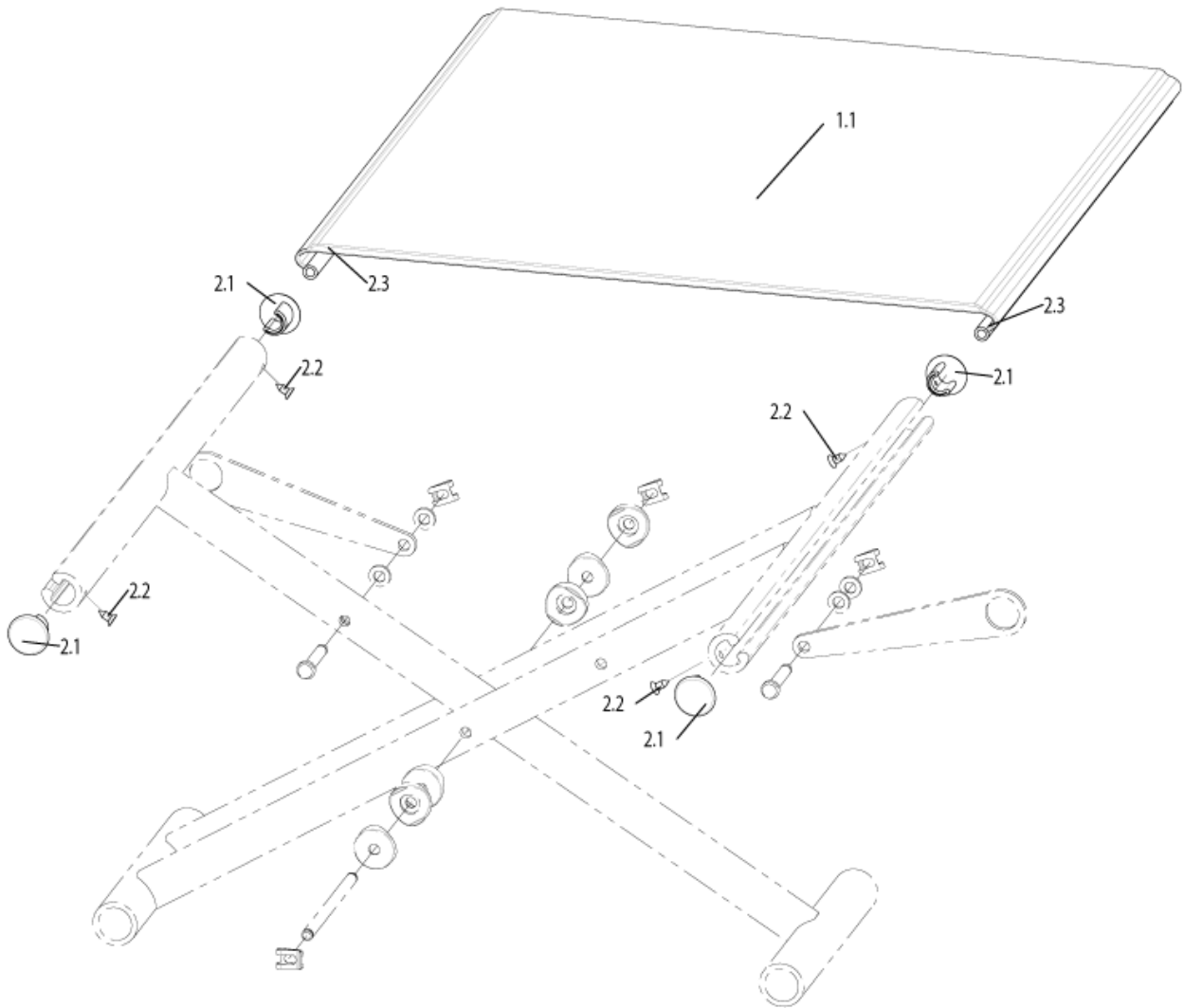
Pos	Item number	Description	Comment
1.1-3.3	072304-001	X-Brace complete, black SW36 / SD36-38	
1.1-3.3	072304-002	X-Brace complete, black SW36 / SD40	
1.1-3.3	072304-003	X-Brace complete, black SW36 / SD42	
1.1-3.3	072304-004	X-Brace complete, black SW36 / SD44	
1.1-3.3	072304-005	X-Brace complete, black SW36 / SD46	
1.1-3.3	072304-006	X-Brace complete, black SW36 / SD48	
1.1-3.3	072304-007	X-Brace complete, black SW36 / SD50	
1.1-3.3	072304-008	X-Brace complete, black SW38 / SD36-38	
1.1-3.3	072304-009	X-Brace complete, black SW38 / SD40	

Cross Brace

Pos	Item number	Description	Comment
1.1-3.3	072304-010	X-Brace complete, black SW38 / SD42	
1.1-3.3	072304-011	X-Brace complete, black SW38 / SD44	
1.1-3.3	072304-012	X-Brace complete, black SW38 / SD46	
1.1-3.3	072304-013	X-Brace complete, black SW38 / SD48	
1.1-3.3	072304-014	X-Brace complete, black SW38 / SD50	
1.1-3.3	072304-015	X-Brace complete, black SW40 / SD36-38	
1.1-3.3	072304-016	X-Brace complete, black SW40 / SD40	
1.1-3.3	072304-017	X-Brace complete, black SW40 / SD42	
1.1-3.3	072304-018	X-Brace complete, black SW40 / SD44	
1.1-3.3	072304-019	X-Brace complete, black SW40 / SD46	
1.1-3.3	072304-020	X-Brace complete, black SW40 / SD48	
1.1-3.3	072304-021	X-Brace complete, black SW40 / SD50	
1.1-3.3	072304-022	X-Brace complete, black SW42 / SD36-38	
1.1-3.3	072304-023	X-Brace complete, black SW42 / SD40	
1.1-3.3	072304-024	X-Brace complete, black SW42 / SD42	
1.1-3.3	072304-025	X-Brace complete, black SW42 / SD44	
1.1-3.3	072304-026	X-Brace complete, black SW42 / SD46	
1.1-3.3	072304-027	X-Brace complete, black SW42 / SD48	
1.1-3.3	072304-028	X-Brace complete, black SW42 / SD50	
1.1-3.3	072304-029	X-Brace complete, black SW44 / SD36-38	
1.1-3.3	072304-030	X-Brace complete, black SW44 / SD40	
1.1-3.3	072304-031	X-Brace complete, black SW44 / SD42	
1.1-3.3	072304-032	X-Brace complete, black SW44 / SD44	
1.1-3.3	072304-033	X-Brace complete, black SW44 / SD46	
1.1-3.3	072304-034	X-Brace complete, black SW44 / SD48	
1.1-3.3	072304-035	X-Brace complete, black SW44 / SD50	
1.1-3.3	072304-036	X-Brace complete, black SW46 / SD36-38	
1.1-3.3	072304-037	X-Brace complete, black SW46 / SD40	
1.1-3.3	072304-038	X-Brace complete, black SW46 / SD42	
1.1-3.3	072304-039	X-Brace complete, black SW46 / SD44	
1.1-3.3	072304-040	X-Brace complete, black SW46 / SD46	
1.1-3.3	072304-041	X-Brace complete, black SW46 / SD48	
1.1-3.3	072304-042	X-Brace complete, black SW46 / SD50	
1.1-3.3	072304-043	X-Brace complete, black SW48 / SD36-38	
1.1-3.3	072304-044	X-Brace complete, black SW48 / SD40	
1.1-3.3	072304-045	X-Brace complete, black SW48 / SD42	
1.1-3.3	072304-046	X-Brace complete, black SW48 / SD44	
1.1-3.3	072304-047	X-Brace complete, black SW48 / SD46	
1.1-3.3	072304-048	X-Brace complete, black SW48 / SD48	

Pos	Item number	Description	Comment
1.1-3.3	072304-049	X-Brace complete, black SW48 / SD50	
1.1-3.3	072304-050	X-Brace complete, black SW50 / SD36-38	
1.1-3.3	072304-051	X-Brace complete, black SW50 / SD40	
1.1-3.3	072304-052	X-Brace complete, black SW50 / SD42	
1.1-3.3	072304-053	X-Brace complete, black SW50 / SD44	
1.1-3.3	072304-054	X-Brace complete, black SW50 / SD46	
1.1-3.3	072304-055	X-Brace complete, black SW50 / SD48	
1.1-3.3	072304-056	X-Brace complete, black SW50 / SD50	
2.1-2.3	765939001	Support with fitting, X-Brace center Hole	
2.2	000831232-ET	Half shell for cross-brace - black POM	Pack of 10
2.3	000185002-ET	SL safety nut, black	Pack of 25
3.1-3.3	072305	Support with fitting, X-Brace outer Hole	
3.2	000130106-ET	Washer A 6.4 DIN 125 PA-clear	Pack of 10
3.3	000185002-ET	SL safety nut, black	Pack of 25

Seat Sling



Pos	Item number	Description	Comment
1.1,2.1-2.3	072302-001	Seat sling with utensil bag complete SW36 / SD36-38	
1.1,2.1-2.3	072302-002	Seat sling with utensil bag complete SW36 / SD40	
1.1,2.1-2.3	072302-003	Seat sling with utensil bag complete SW36 / SD42	
1.1,2.1-2.3	072302-004	Seat sling with utensil bag complete SW36 / SD44	
1.1,2.1-2.3	072302-005	Seat sling with utensil bag complete SW36 / SD46	
1.1,2.1-2.3	072302-006	Seat sling with utensil bag complete SW36 / SD48	

Pos	Item number	Description	Comment
1.1,2.1-2.3	072302-007	Seat sling with utensil bag complete SW36 / SD50	
1.1,2.1-2.3	072302-008	Seat sling with utensil bag complete SW38 / SD36-38	
1.1,2.1-2.3	072302-009	Seat sling with utensil bag complete SW38 / SD40	
1.1,2.1-2.3	072302-010	Seat sling with utensil bag complete SW38 / SD42	
1.1,2.1-2.3	072302-011	Seat sling with utensil bag complete SW38 / SD44	
1.1,2.1-2.3	072302-012	Seat sling with utensil bag complete SW38 / SD46	
1.1,2.1-2.3	072302-013	Seat sling with utensil bag complete SW38 / SD48	
1.1,2.1-2.3	072302-014	Seat sling with utensil bag complete SW38 / SD50	
1.1,2.1-2.3	072302-015	Seat sling with utensil bag complete SW40 / SD36-38	
1.1,2.1-2.3	072302-016	Seat sling with utensil bag complete SW40 / SD40	
1.1,2.1-2.3	072302-017	Seat sling with utensil bag complete SW40 / SD42	
1.1,2.1-2.3	072302-018	Seat sling with utensil bag complete SW40 / SD44	
1.1,2.1-2.3	072302-019	Seat sling with utensil bag complete SW40 / SD46	
1.1,2.1-2.3	072302-020	Seat sling with utensil bag complete SW40 / SD48	
1.1,2.1-2.3	072302-021	Seat sling with utensil bag complete SW40 / SD50	
1.1,2.1-2.3	072302-022	Seat sling with utensil bag complete SW42 / SD36-38	
1.1,2.1-2.3	072302-023	Seat sling with utensil bag complete SW42 / SD40	
1.1,2.1-2.3	072302-024	Seat sling with utensil bag complete SW42 / SD42	
1.1,2.1-2.3	072302-025	Seat sling with utensil bag complete SW42 / SD44	
1.1,2.1-2.3	072302-026	Seat sling with utensil bag complete SW42 / SD46	
1.1,2.1-2.3	072302-027	Seat sling with utensil bag complete SW42 / SD48	
1.1,2.1-2.3	072302-028	Seat sling with utensil bag complete SW42 / SD50	
1.1,2.1-2.3	072302-029	Seat sling with utensil bag complete SW44 / SD36-38	
1.1,2.1-2.3	072302-030	Seat sling with utensil bag complete SW44 / SD40	
1.1,2.1-2.3	072302-031	Seat sling with utensil bag complete SW44 / SD42	

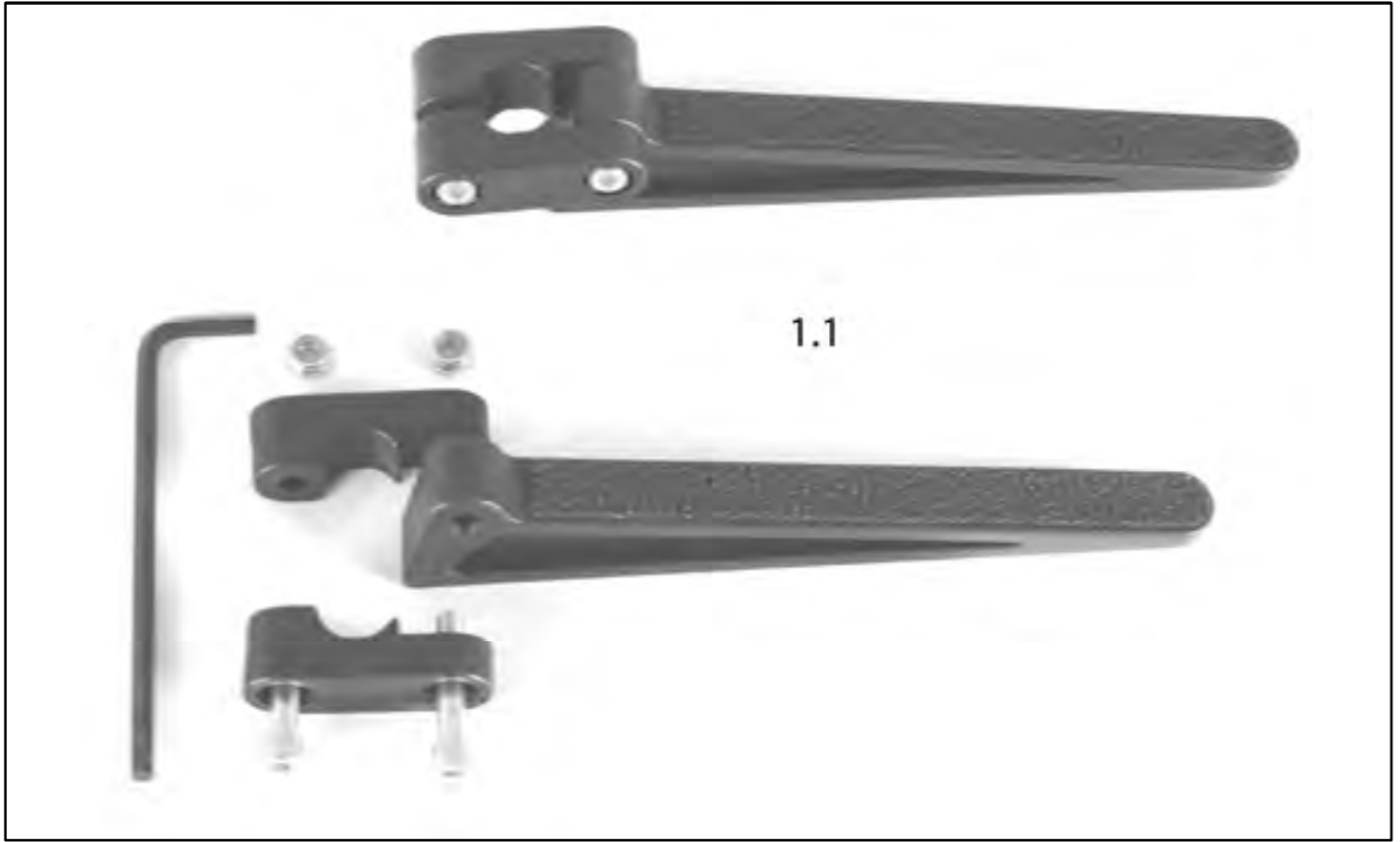
Seat Sling

Pos	Item number	Description	Comment
1.1,2.1-2.3	072302-032	Seat sling with utensil bag complete SW44 / SD44	
1.1,2.1-2.3	072302-033	Seat sling with utensil bag complete SW44 / SD46	
1.1,2.1-2.3	072302-034	Seat sling with utensil bag complete SW44 / SD48	
1.1,2.1-2.3	072302-035	Seat sling with utensil bag complete SW44 / SD50	
1.1,2.1-2.3	072302-036	Seat sling with utensil bag complete SW46 / SD36-38	
1.1,2.1-2.3	072302-037	Seat sling with utensil bag complete SW46 / SD40	
1.1,2.1-2.3	072302-038	Seat sling with utensil bag complete SW46 / SD42	
1.1,2.1-2.3	072302-039	Seat sling with utensil bag complete SW46 / SD44	
1.1,2.1-2.3	072302-040	Seat sling with utensil bag complete SW46 / SD46	
1.1,2.1-2.3	072302-041	Seat sling with utensil bag complete SW46 / SD48	
1.1,2.1-2.3	072302-042	Seat sling with utensil bag complete SW46 / SD50	
1.1,2.1-2.3	072302-043	Seat sling with utensil bag complete SW48 / SD36-38	
1.1,2.1-2.3	072302-044	Seat sling with utensil bag complete SW48 / SD40	
1.1,2.1-2.3	072302-045	Seat sling with utensil bag complete SW48 / SD42	
1.1,2.1-2.3	072302-046	Seat sling with utensil bag complete SW48 / SD44	
1.1,2.1-2.3	072302-047	Seat sling with utensil bag complete SW48 / SD46	
1.1,2.1-2.3	072302-048	Seat sling with utensil bag complete SW48 / SD48	
1.1,2.1-2.3	072302-049	Seat sling with utensil bag complete SW48 / SD50	
1.1,2.1-2.3	072302-050	Seat sling with utensil bag complete SW50 / SD36-38	
1.1,2.1-2.3	072302-051	Seat sling with utensil bag complete SW50 / SD40	
1.1,2.1-2.3	072302-052	Seat sling with utensil bag complete SW50 / SD42	
1.1,2.1-2.3	072302-053	Seat sling with utensil bag complete SW50 / SD44	
1.1,2.1-2.3	072302-054	Seat sling with utensil bag complete SW50 / SD46	
1.1,2.1-2.3	072302-055	Seat sling with utensil bag complete SW50 / SD48	
1.1,2.1-2.3	072302-056	Seat sling with utensil bag complete SW50 / SD50	

Pos	Item number	Description	Comment
2.1-2.3	072303-001	Fitting accessories for seat sling SD36	one side only
2.1-2.3	072303-002	Fitting accessories for seat sling SD38	one side only
2.1-2.3	072303-003	Fitting accessories for seat sling SD40	one side only
2.1-2.3	072303-004	Fitting accessories for seat sling SD42	one side only
2.1-2.3	072303-005	Fitting accessories for seat sling SD44	one side only
2.1-2.3	072303-006	Fitting accessories for seat sling SD46	one side only
2.1-2.3	072303-007	Fitting accessories for seat sling SD48	one side only
2.1-2.3	072303-008	Fitting accessories for seat sling SD50	one side only
2.1	720831606-ET	End stoppers	Pack of 10
2.2	000114000-ET	Countersunk screw SD 3.9 x 9.5 DIN 7982	Pack of 25

Caddy

Caddy



Pos	Item number	Description	Comment
1.1	L902350	Caddy, bag carrier, cpl.	Pair

Tool kit



Pos	Item number	Description
1	000604270	Tools kit

Wheelchair Backback

Wheelchair Backback



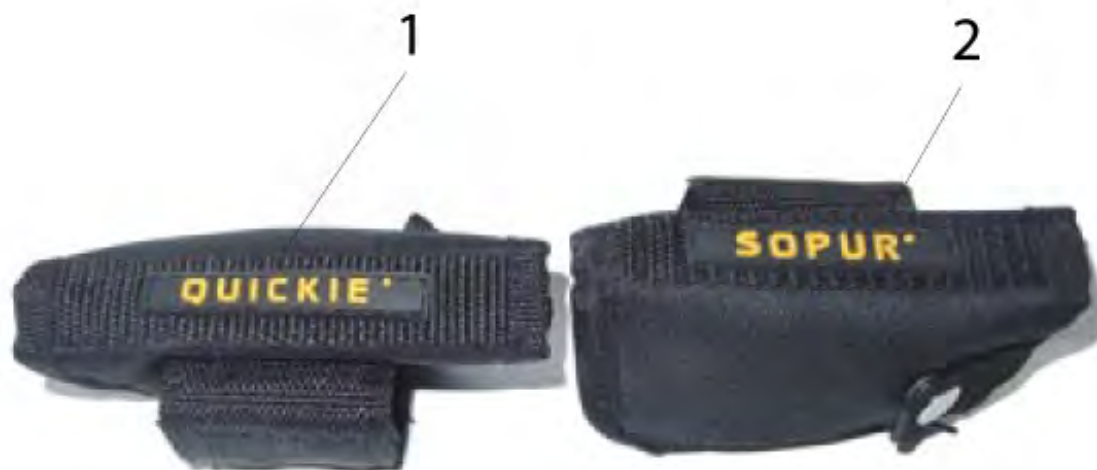
Pos	Item number	Description
1.1	000670001	Wheelchair backpack, black

Lap Belt with Fastener



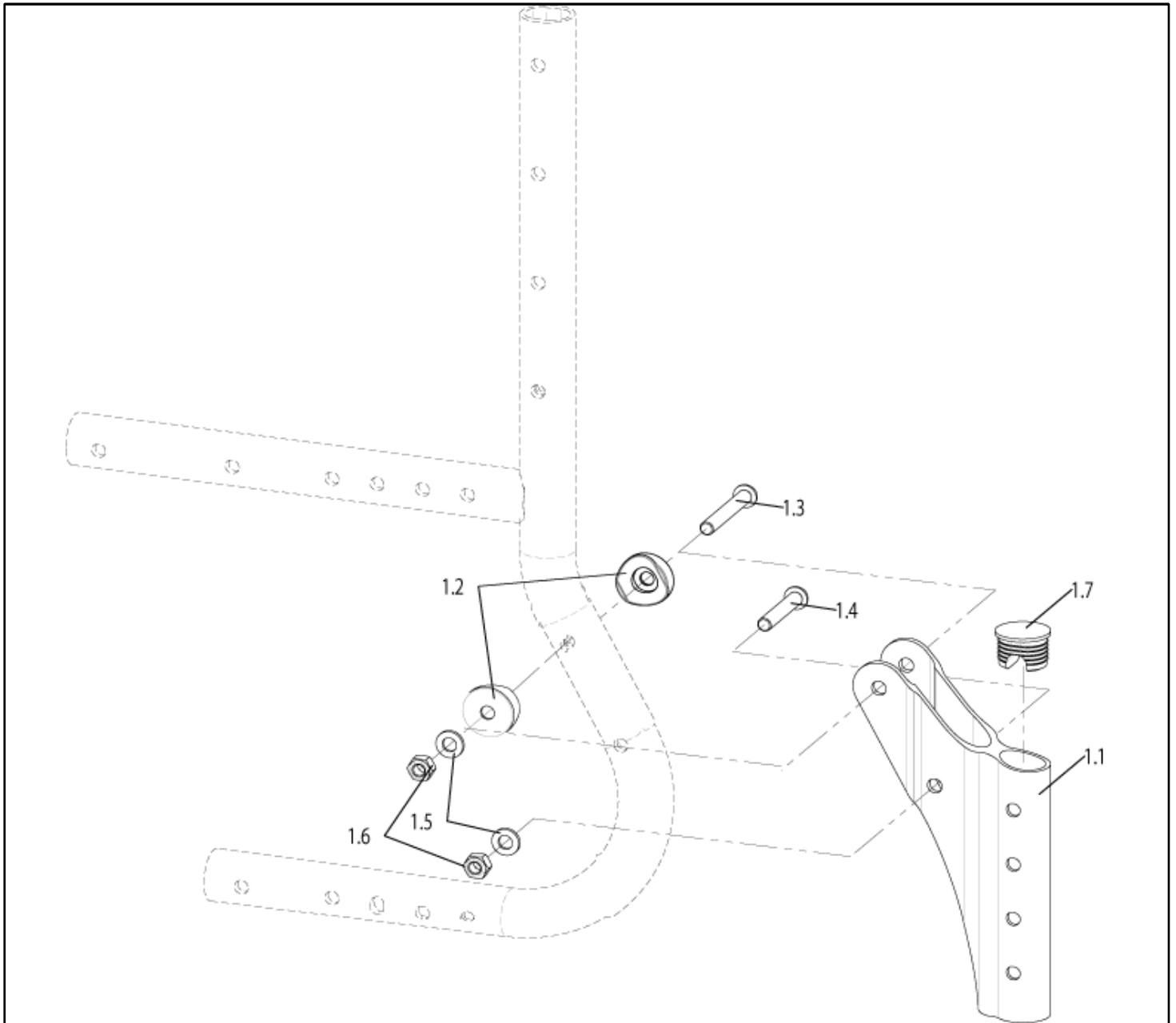
Pos	Item number	Description
1	069939	Lap belt with fastener up to SW: 40
1	069935	Lap belt with fastener from SW: 42

Mobile Phone Case



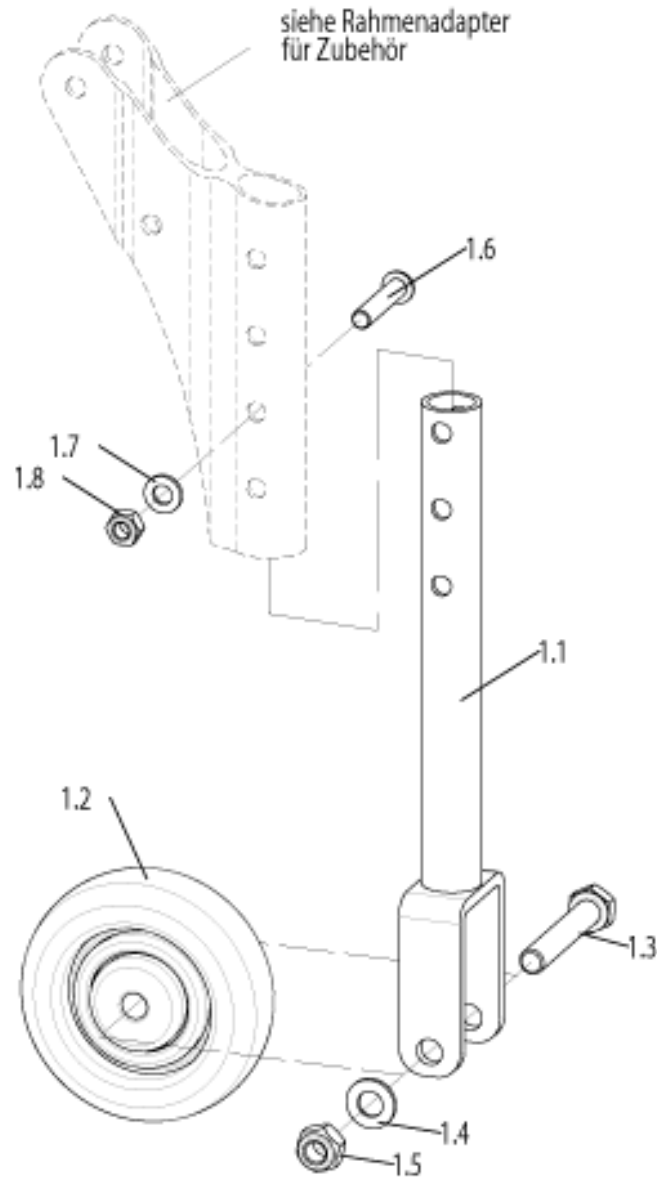
Pos	Item number	Description	Comment
1	000670006	Mobile phone case QIUCKIE	Für alle Stuhltypen passend
2	000670005	Mobile phone case SOPUR	Für alle Stuhltypen passend

Frame adapter for accessories



Pos	Item number	Description	Comment
1.1-1-7	072705	Accessories fixation complete	can be used right & left
1.2	000831232-ET	Half shell for cross-brace - black POM	Pack of 10
1.3	000102056.01-ET	Screw M 6 x 45 mit Torx-Antrieb	Pack of 25
1.4	000102317.01-ET	Screw M 6 x 37 mit Torx-Antrieb	Pack of 25
1.5	000130107-ET	Washer A6.4 DIN 125	Pack of 25
1.6	000128007-ET	Hex nut M 6 DIN 985	Pack of 25
1.7	760827007-ET	End stoppers	Pack of 10

Transit Wheel

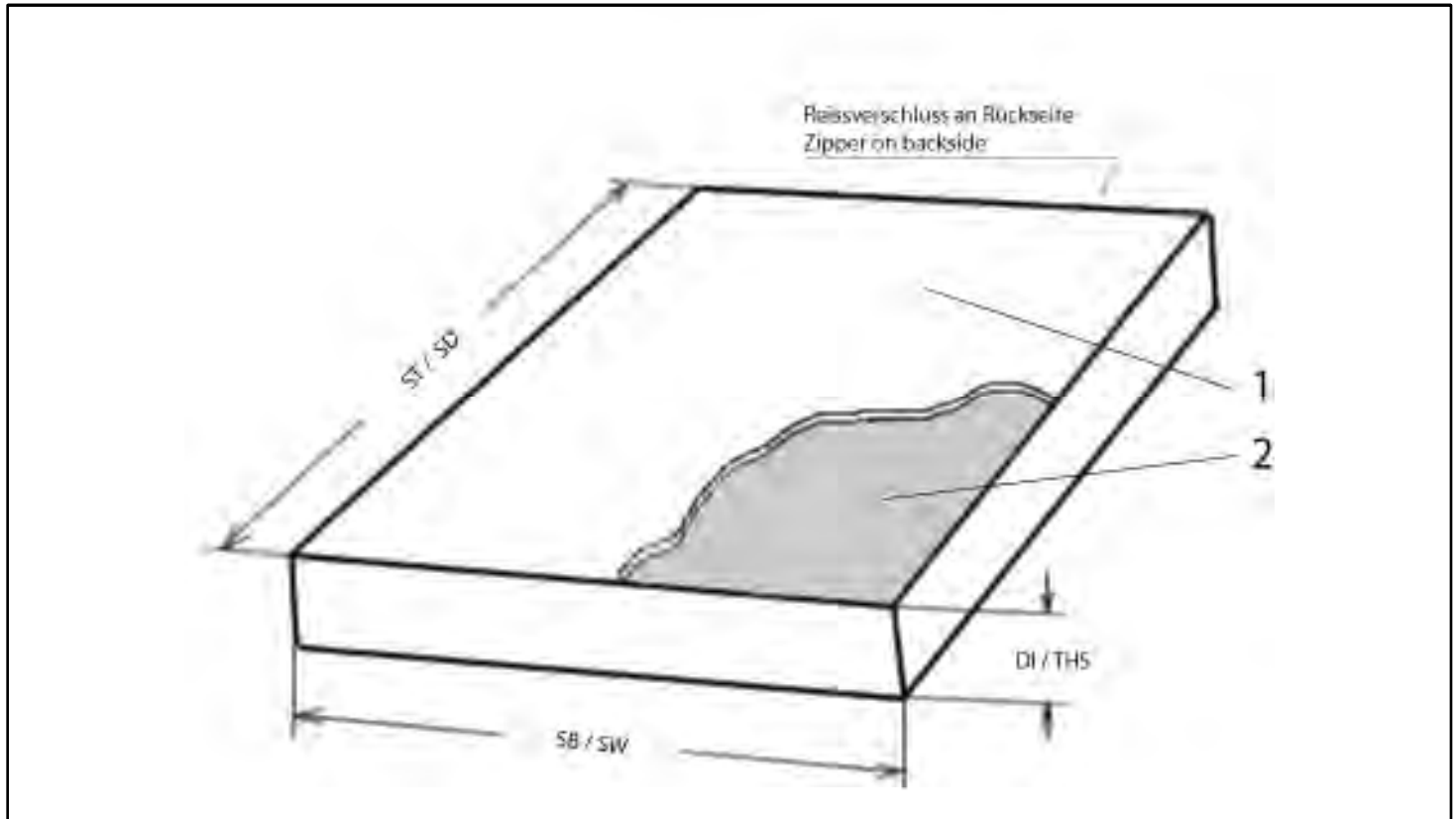


Pos	Item number	Description	Comment
1.1-1-8	760858020	Transit wheel, cpl.	can be used right & left
1.3	000100016-ET	Hex screw M 8 x 50 DIN 931	Pack of 25
1.4	000130108-ET	A 8.4 washer DIN 125	Pack of 25
1.5	000128018-ET	Hex nut M 8 DIN 985	Pack of 25
1.6	000102312.01-ET	Oval-head screw M 6 x 32 with Torx drive	Pack of 25
1.7	000130107-ET	Washer A6.4 DIN 125	Pack of 25

Pos	Item number	Description	Comment
1.8	000128007-ET	Hex nut M 6 DIN 985	Pack of 25

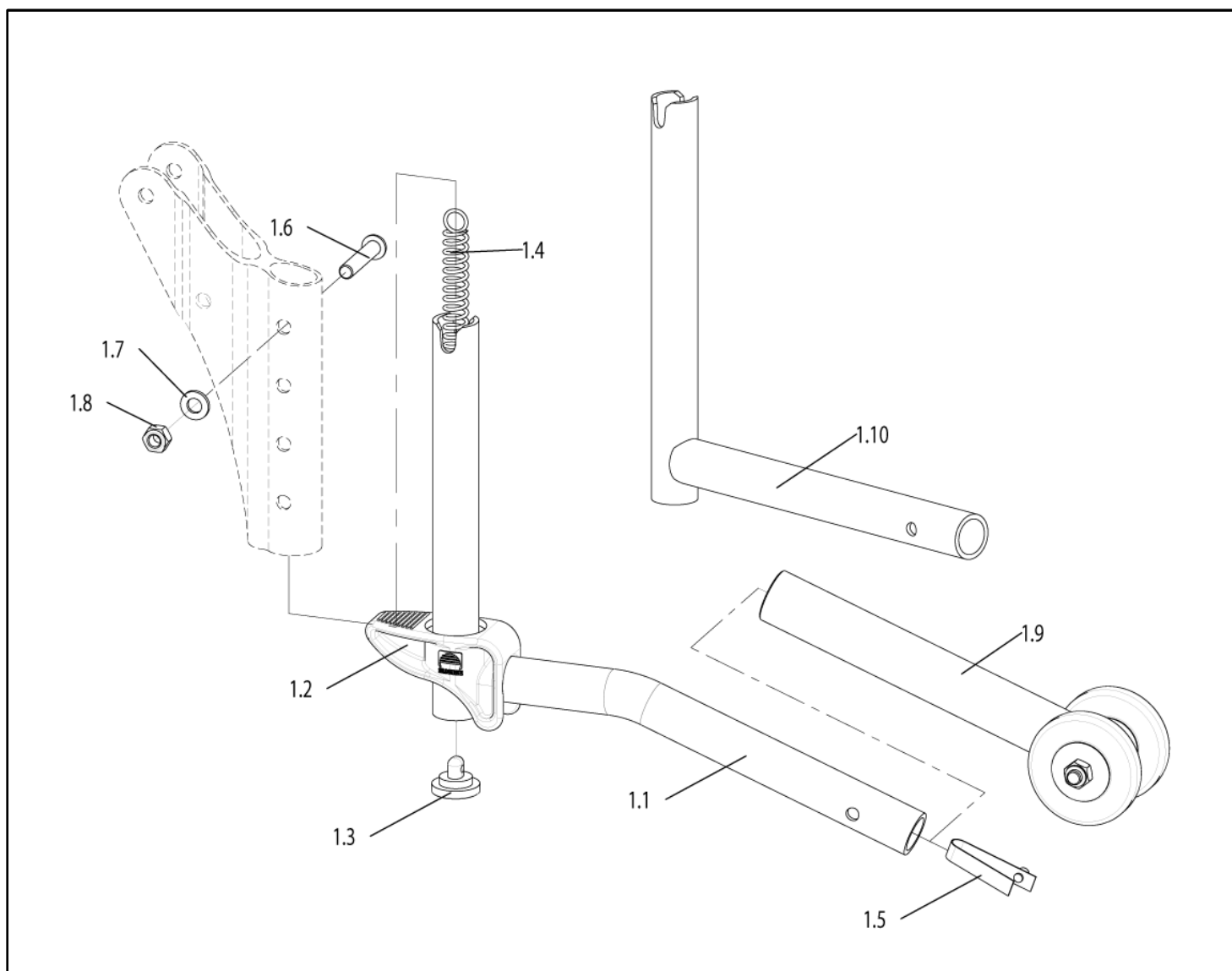
Upholstery

Seat- and Backslings are customized manufactured and excluded from replacements!



Pos	Item number	Description	Comment
1-2	000835002	Seat cushion and cover, black complete, cushion filling: Composite foam = 92	
1-2	000835003	Seat cushion and cover, black complete, cushion filling: Latex = 55	
1-2	000898063	KLIMA-TEX seat cushion and cover, black complete, cushion filling: Latex = 55	
1-2	000898060	KLIMA-TEX seat cushion and cover, black, cpl. Cushion filling: foam = 92	Only 3 or 5 cm thick
2	000835810	Seat cushion, filling composite foam	
2	000835820	Seat cushion, filling Latex	
1	000836002	Seat cushion cover, black	
-	000845010	Back cushion 3 cm. Black cover	

Anti-tip tube

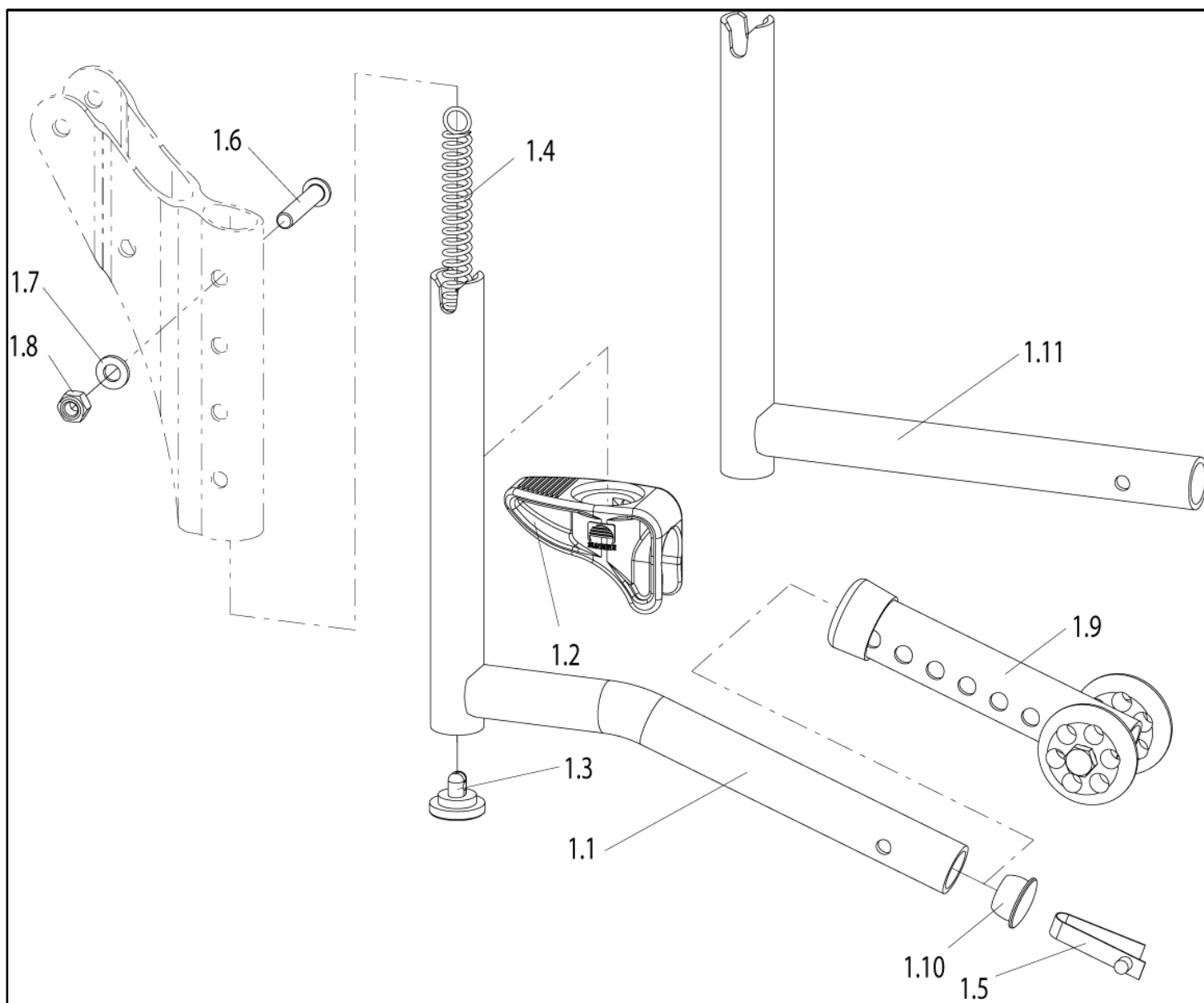


Pos	Item number	Description	Comment
1.1-1.9	000859202	Swingaway anti-tip tubes for 24Inch and 26Inch cpl. (without frame adapter)	can be used right & left
1.2-1.10	000859212	Swingaway anti-tip tube, complete. For 20Inch and 22Inch rear wheels	can be used right & left
1.1-1.8	000859201	Anti-tip tube adapter 24Inch and 26Inch cpl.	
1.2-1.8,1.10	000859203	Anti-tip tube adapter 20Inch and 22Inch cpl.	
1.1	000859205	Anti-tip tube adapter 24Inch and 26Inch	
1.2	000859001	Pedal for anti-tip tube	
1.3	000859204	Bracket for tension spring	
1.4	000242024	Tension spring for anti-tip tube	
1.5	064711-ET	Support spring with bolt d = 5 mm	5 pcs./pack
1.6	000102312.01-ET	Oval-head screw M 6 x 32 with Torx drive	Pack of 25

Anti-tip tube

Pos	Item number	Description	Comment
1.7	000130107-ET	Washer A6.4 DIN 125	Pack of 25
1.8	000128007-ET	Hex nut M 6 DIN 985	Pack of 25
1.9	000859208	Holder for anti-tip tube, complete	
1.10	000859207	Anti-tip tube adapter 20Inch / 22Inch	

Anti tip tubes swing away, aluminium lightweight

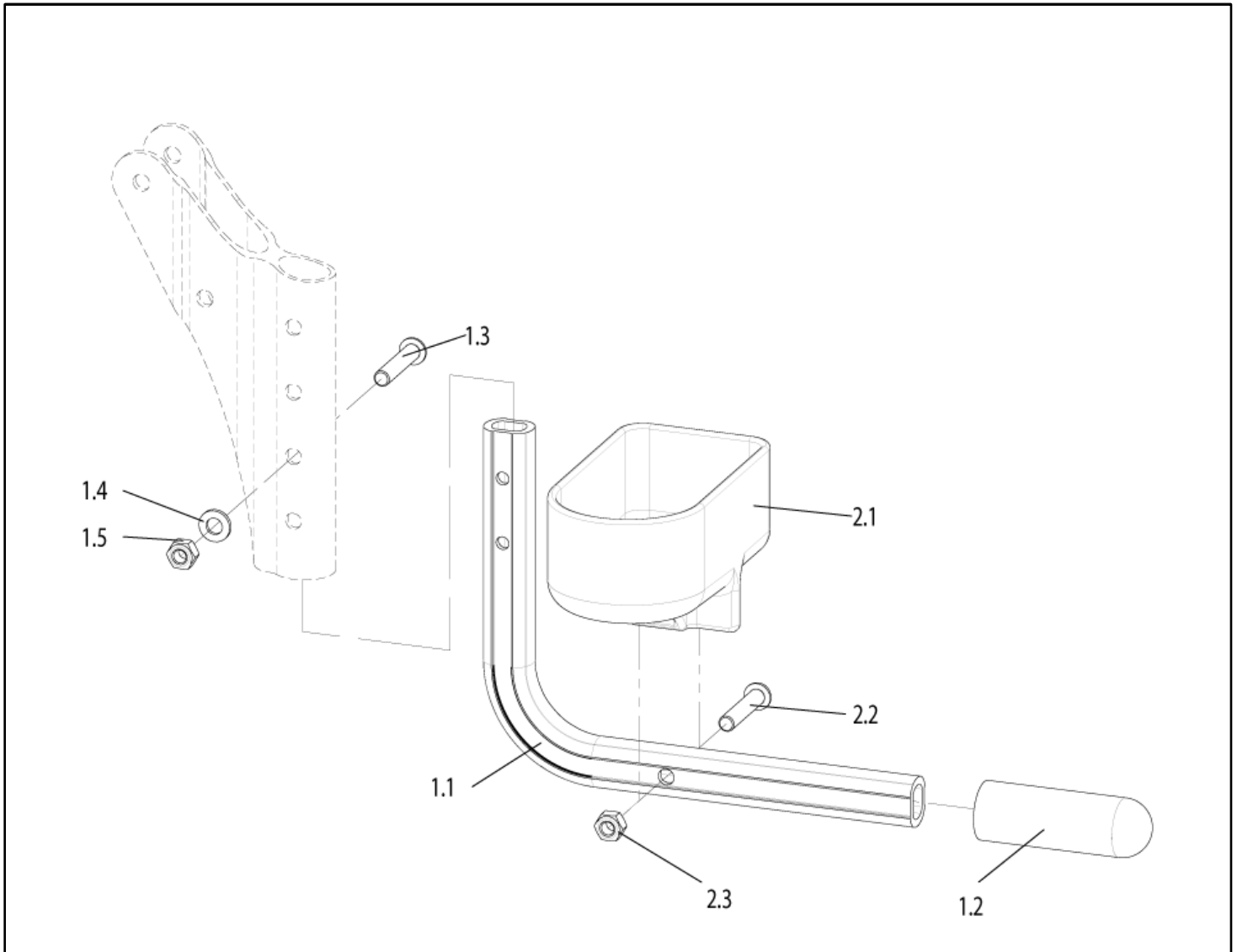


Pos	Item number	Description	Comment
1.1-1.10	072714-002	Swingaway anti-tip tubes for 24Inch and 26Inch cpl. (without frame adapter)	Pair
1.1+1.5+	84307005	Anti-tip tube adapter, aluminium lightweight, 24Inch and 26Inch	
1.2-1.11	072714-001	Swingaway anti-tip tubes for 20Inch and 22Inch cpl. (without frame adapter)	Pair
1.2-1.8	069934	Bracket incl. mounting accessories used with slide-on thrapy table	
1.2	000859001	Pedal for anti-tip tube	
1.3	000859204	Bracket for tension spring	
1.4	000242024	Tension spring for anti-tip tubes	
1.5	064711-ET	Support spring with bolt d = 5 mm	
1.6	000102312.01-ET	oval-head screw M 6 x 32 with Torx drive	25 pcs./pack

Anti tip tubes swing away, aluminium lightweight

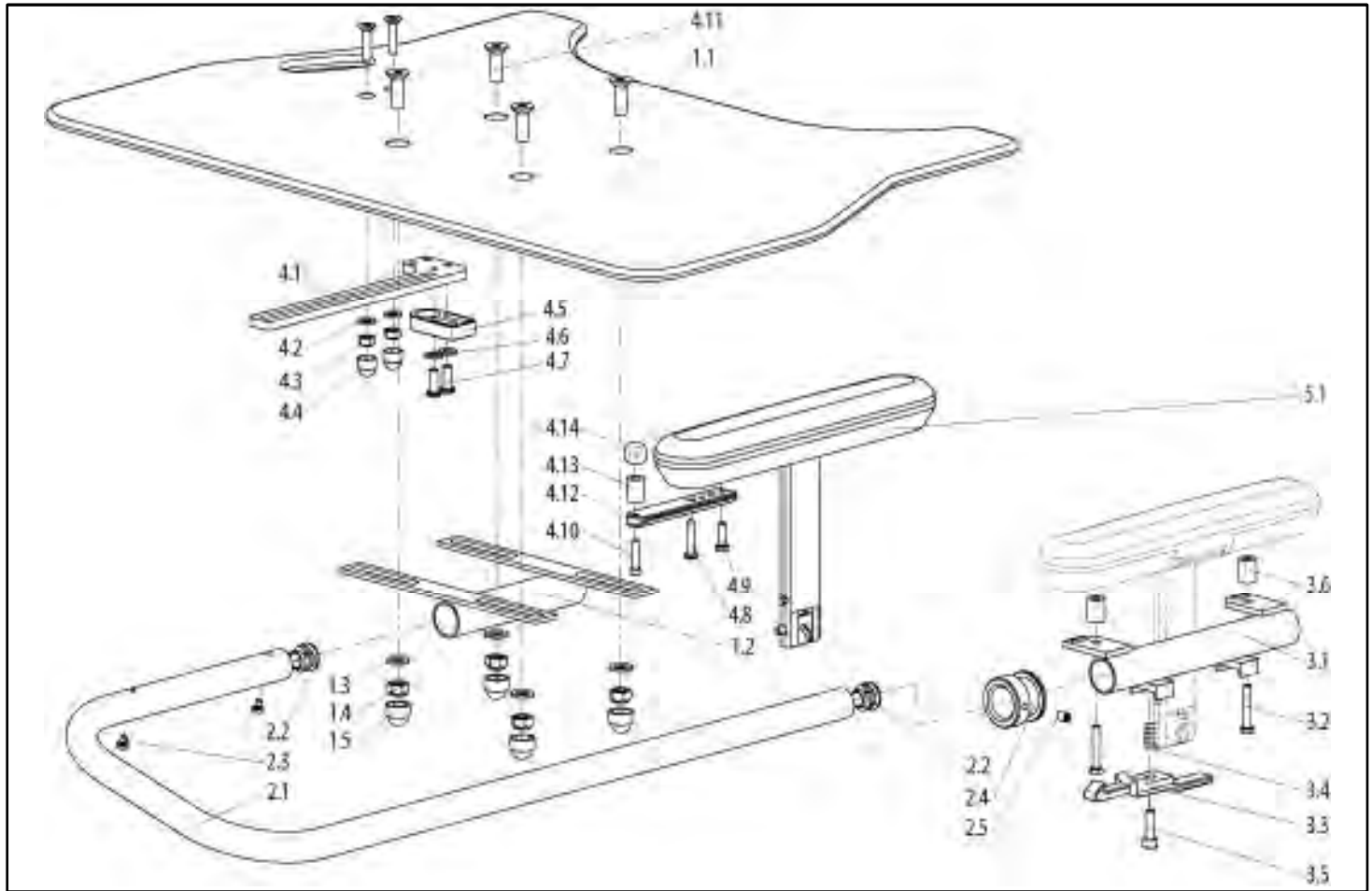
Pos	Item number	Description	Comment
1.7	000130107-ET	Washer A 6.4 DIN 125	25 pcs./pack
1.8	000128007-ET	Hex nut M 6 DIN 985	25 pcs./pack
1.10	756841055-ET	Plastic plug	10 pcs./pack
1.11+1.5	84307009	Anti-tip tube adapter, aluminium lightweight, 20Inch and 22Inch	

Tipping tube



Pos	Item number	Description	Comment
1.1-1.5	740815115	Tipping tube cpl.	can be used right & left
1.2	000282041-ET	Cap 18 x 28, black PVC	Pack of 10
1.3	000102312.01-ET	Oval-head screw M 6 x 32 with Torx drive	Pack of 25
1.4	000130107-ET	Washer A6.4 DIN 125	Pack of 25
1.5	000128007-ET	Hex nut M 6 DIN 985	Pack of 25
2.1-2.3	740815120	Crutch Holder with Velcro cpl.	
2.2	000102312.01-ET	Oval-head screw M 6 x 32 with Torx drive	Pack of 25
2.3	000128007-ET	Hex nut M 6 DIN 985	Pack of 25

Therapy table swingaway

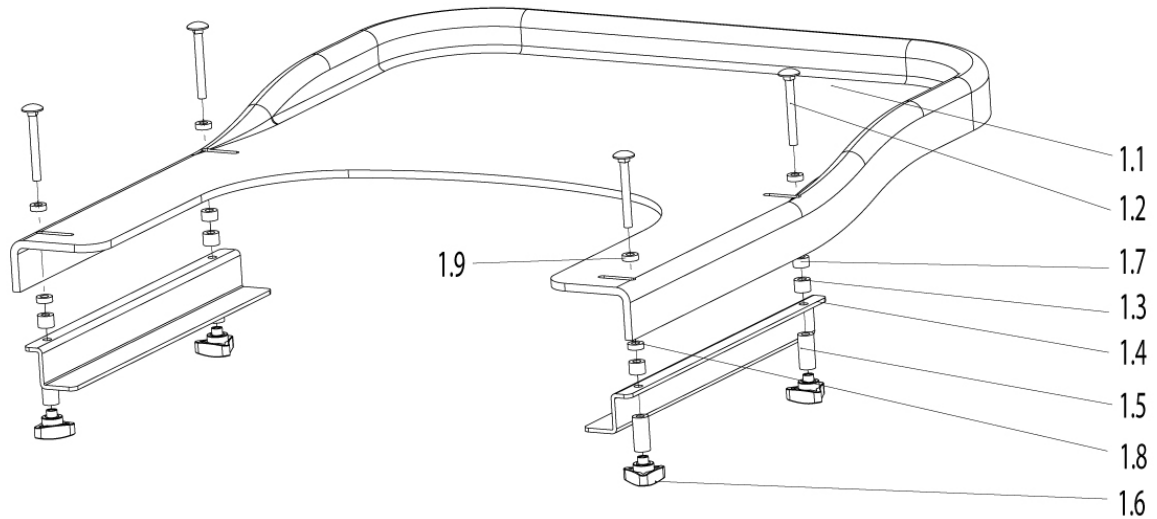


Pos	Item number	Description	Comment
1.1-4.14	054427-001	Therapy table, swingaway complete. For Desk-III - sideguard, without armrests, swingaway to the right	right, Note: use only with desk sideguard and long/height adj. arm pad or std sideguard, aluminium
1.1-4.14	054427-002	Therapy table, swingaway complete. For Desk-III - sideguard, without armrests, swingaway to the left	left, Note: use only with desk sideguard and long/height adj. arm pad or std sideguard, aluminium
1.2-4.14	054427-003	Therapy table, swingaway for Desk-III sideguard, without armrests, without table top, swingaway to the right	right, Note: use only with desk sideguard and long/height adj. arm pad or std sideguard, aluminium

Pos	Item number	Description	Comment
1.2-4.14	054427-004	Therapy table, swingaway for Desk-III sideguard, without armrests, without table top, swingaway to the left	left, Note: use only with desk sideguard and long/height adj. arm pad or std sideguard, aluminium
1.1-2.5	760848006	Table top for standard therapy table, swingaway, complete. With swingaway mechanism (without plug-in bracket)	
1.3	000130108-ET	A 8.4 washer DIN 125	Pack of 25
1.4	000128018-ET	Hex nut M 8 DIN 985	Pack of 25
1.5	000282062-ET	Hex protective cap for M 8 plastic, black	Pack of 25
1.6	000104033-ET	Countersunk head screw M 8 x 25 DIN 7991	Pack of 10
2.1	760847104	Swing bar for SW: 34 to 40	
2.1	410847012	Swing bar for SW: 42 to 50	
2.2	000282038-ET	Laminated cap for swing bar	
2.3	000102065-ET	Oval-head screw M 4 x 6 DIN 7985	Pack of 50
3.1-3.6	760748005	Plug-in bracket for therapy table left, complete. Swingaway to the left	left
3.1-3.6	760848005	Plug-in bracket for therapy table right, complete. Swingaway to the right	right
3.2	000100045-ET	Hex screw M 5 x 30 DIN 933	Pack of 10
3.3	750842099.01	Interlock lever, curved	
3.4	000242030-ET	Compression spring	Pack of 10
3.5	000102199-ET	Cheese head screw M 6 x 20 DIN 84	Pack of 25
4.1-4.14	760848007	Fitting on the free side for therapy table, complete	
4.2/4.6	000130107-ET	A 6.4 washer DIN 125	Pack of 25
4.3	000128007-ET	Hex nut M 6 DIN 985	Pack of 25
4.4	000282063-ET	Hex protective cap for M 6 plastic, black	Pack of 10
4.7	000102309.01-ET	Oval-head screw M 6 x 16 with Torx drive	Pack of 25
4.8	000100028-ET	Hex screw M 5 x 16/8.8 DIN 558	Pack of 25
4.9	000100027-ET	Hex screw M 5 x 16 DIN 558	Pack of 25
4.10	000102153-ET	Hex screw M 4 x 12 DIN 933	Pack of 50
4.11	000104053-ET	Countersunk head screw M 6 x 35 DIN 7991	Pack of 25
4.13	000281016	Spacer roll, black - 12 / 16.2 / 16	
4.14	000281018	Dome head DIN 319 - KU-16-M4-E	
4.8-5.1	054428-010	Long armpad, height-adjustable, swing away for tray	right
4.8-5.1	054428-011	Long armpad, height-adjustable, swing away for tray	left

Therapy table

Therapy table



Pos	Item number	Description	Comment
1.1-1.9	760848050.01	Therapy table for SW: 38 -40 complete	
1.1-1.9	760848050.02	Therapy table for SW: 42 -44 complete	
1.1-1.9	760848050.03	Therapy table for SW: 46 - 48 complete	
1.2-1.9	069934	Bracket incl. mounting accessories used with slide-on thrapy table	

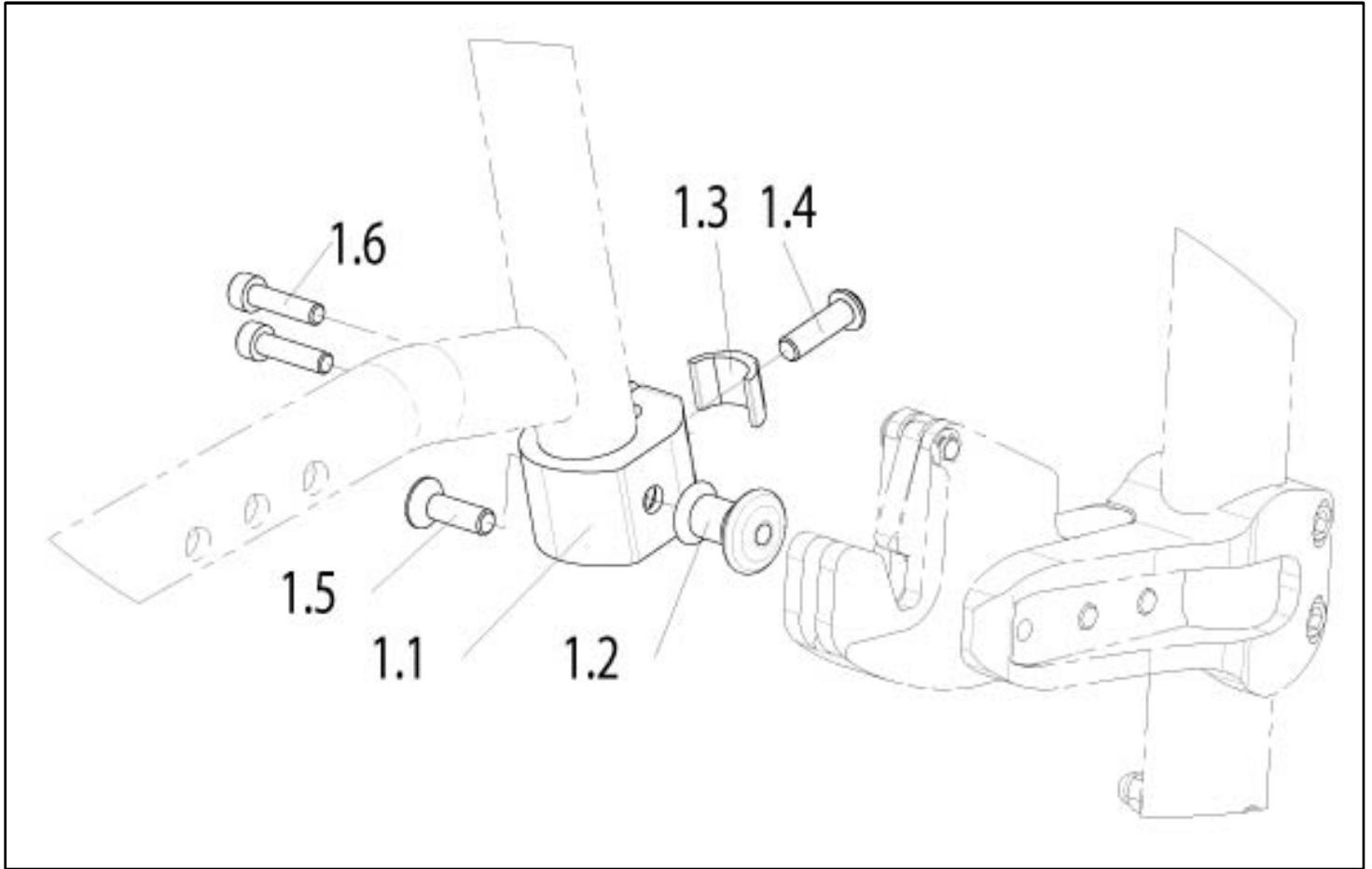
Accessories

Kein Bild vorhanden
no image available

Pos	Item number	Description	Comment
	000859104	Air pump with mounting	
	000228005	High Pressure Pump	

Docking Attitude

Docking Attitude



Pos	Item number	Description	Comment
1.1-1.6	47301036	Clamp docking Attitude for Easy tube cpl.	
1.6	066901-001-ET	Socket head cap screw M5 x 20 DIN 912	25 pcs./pack
1.4	000102307.01-ET	Button head cap screw M 6 x 20 Torx drive	25 pcs./pack
1.3	760827002-ET	Pressure piece	10 pcs./pack