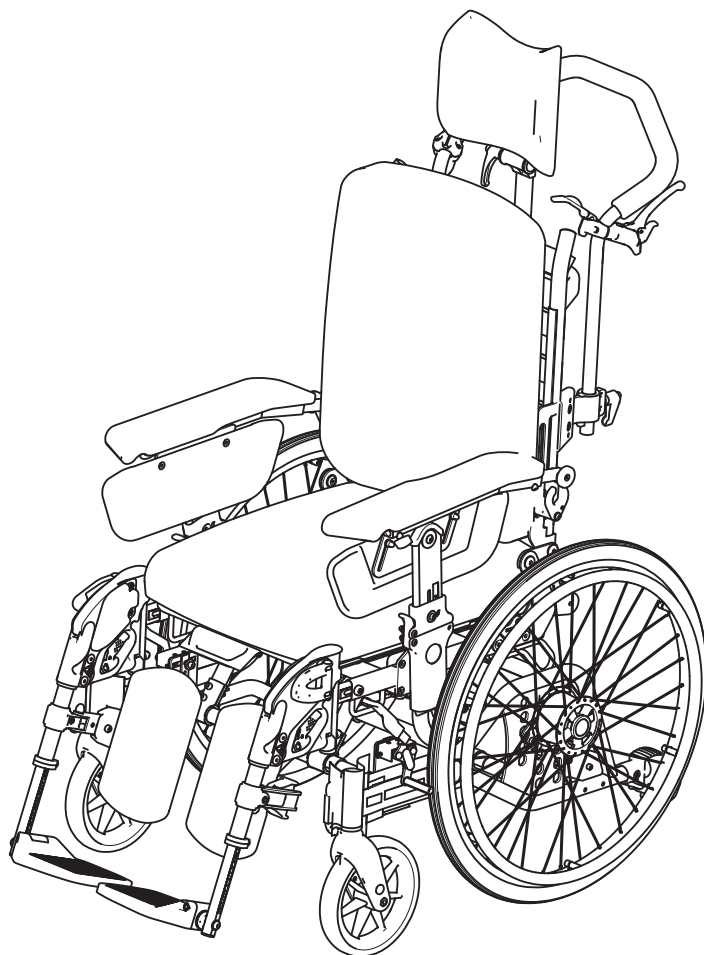


Manual wheelchair



PARTS MANUAL

EN

Cirrus G5

 **Breezy**[®]

Chapter classification:

1. Chassis
2. Adj. Mechanism
3. Leg rest
4. Seat
5. Backrest
6. Armrest/side support
7. Wheel
8. Brakes
9. Accessories

Note / Exceptions:

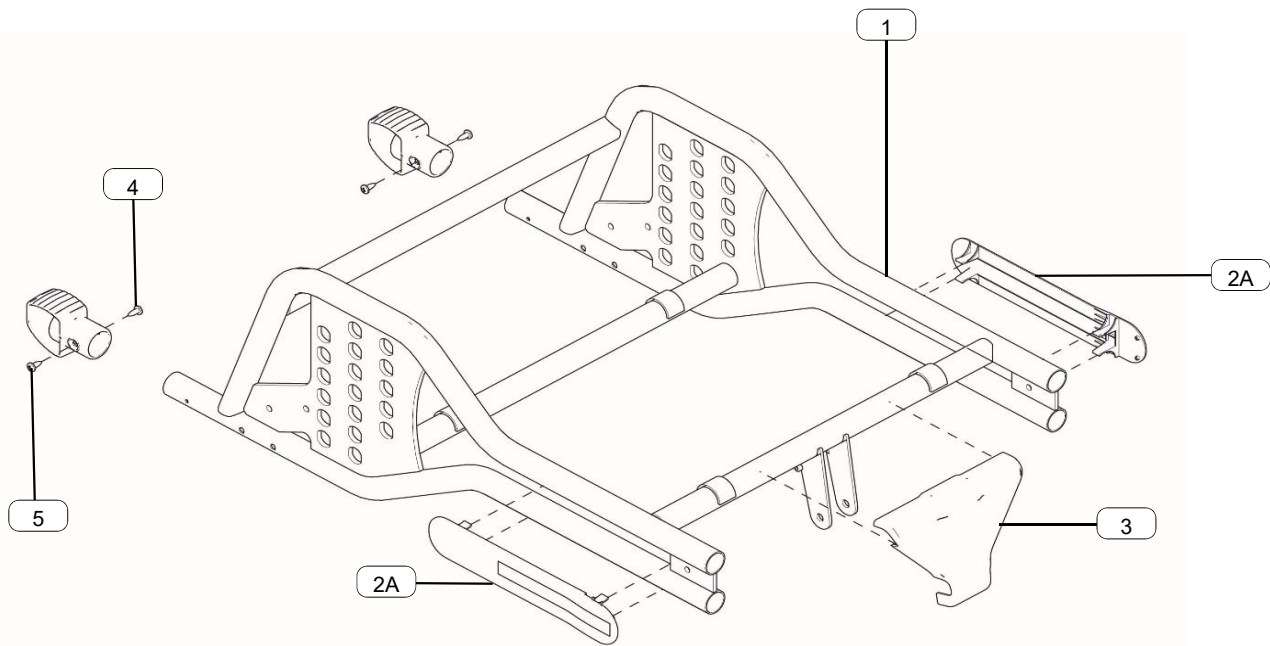
None

When you place your order you should also specify prod.no. (S/N) for the wheelchair.

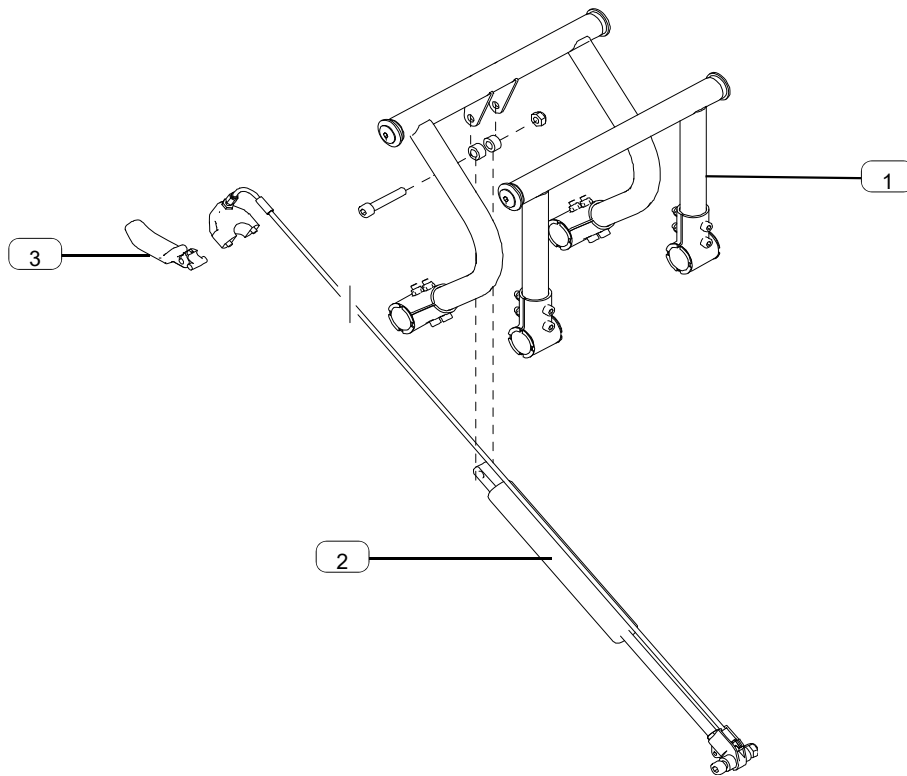
Printing:

Since this document contains grayscale you should print as grayscale (or color). If you select black/white the output would be of poor quality for the objects in grayscale.

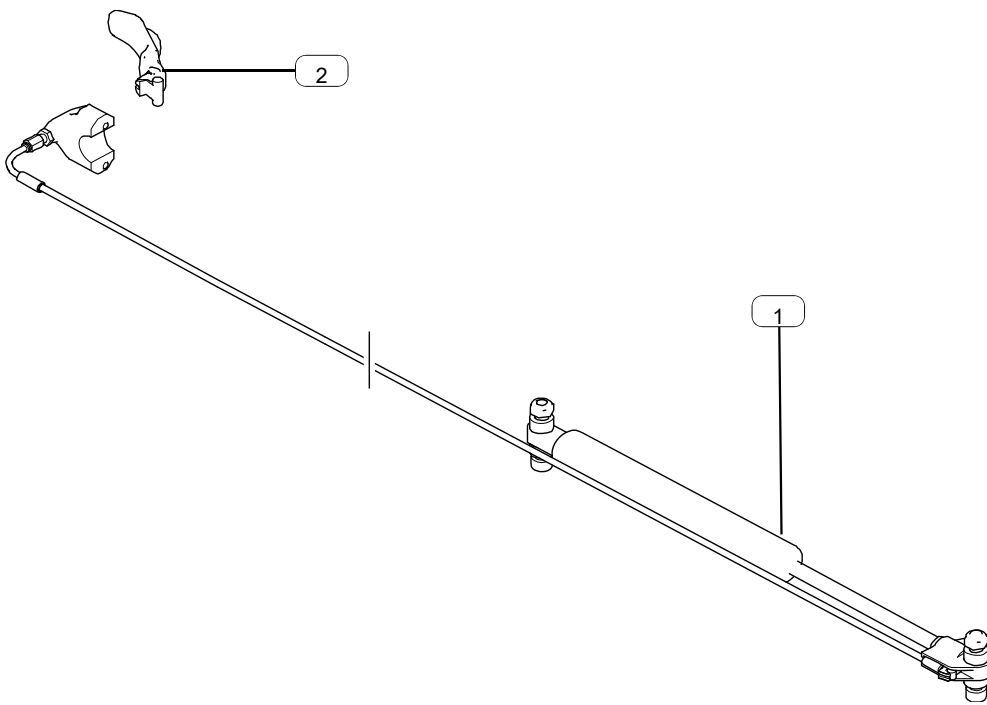
Kap./Chap.	Description	Side/Page
1.0	Frame	4
1.1	Frame	4
1.2	Seat tilt	5
2.0	Adj. mechanism	6
2.1	Back tilt	6
3.0	Leg rest	7
3.1	Attachment for hanger	7
3.2.	Hanger, angel and rigid, adjustable	8
3.2.1	Footplate for round tube	9
3.2.2	Footplate, depth adj. for round tube	11
3.3	Footplate SW 54	13
4.0	Seat	14
4.1	Seat frame unit	14
4.2	Cushion	15
5.0	Backrest	16
5.1	Backrest unit	16
5.2	Cushion back	18
5.3	3. party backrest and push handles	19
6.0	Armrest/side support	20
6.1	Armrest	20
6.2	Armrest Hemiplegia	21
6.3	Armrest, rigid, detachable	22
7.0	Wheel	23
7.1	Drive wheel, complete	23
7.2	Wheel fork w/wheel	24
7.3	Spoke guards	25
7.4	Wheels with drumbrake	26
7.4.1	Parts for drumbrake	27
8.0	Brakes	28
8.1	Brakes pull to lock	28
9.0	Accessories	29
9.1.0	Headrests	29
9.1.1	Headrest Basic	30
9.1.3	Headrest Advanced	31
9.2	Abutment pad	32
9.3	Powered tilt seat and back	33
9.4	Incontinence cover	34
9.5	Side support	35
9.6	Posistioning belt	36
9.7	Whole calf rest	37
9.8	Whole foot plate	38
9.9	Tray	39
9.10.	Aduction pommel	40
9.11	One-hand brake	41
9.12	Amputation support	42
9.13	Electric inflator and hand pump	43
9.14	Front pouch	44
9.15	Anti-tip	45
9.16	Anti-tip angle- and hight adjustable w/step tip	46
9.17	Anti-tip with step RHS=LHS, STD Cirrus G5	47
9.18	Plaster caster support	48
9.19	Crutch holder	49
9.20	Push bar angle adjustable	50
9.21	Infusionholder	51
9.22	Handles - set	52



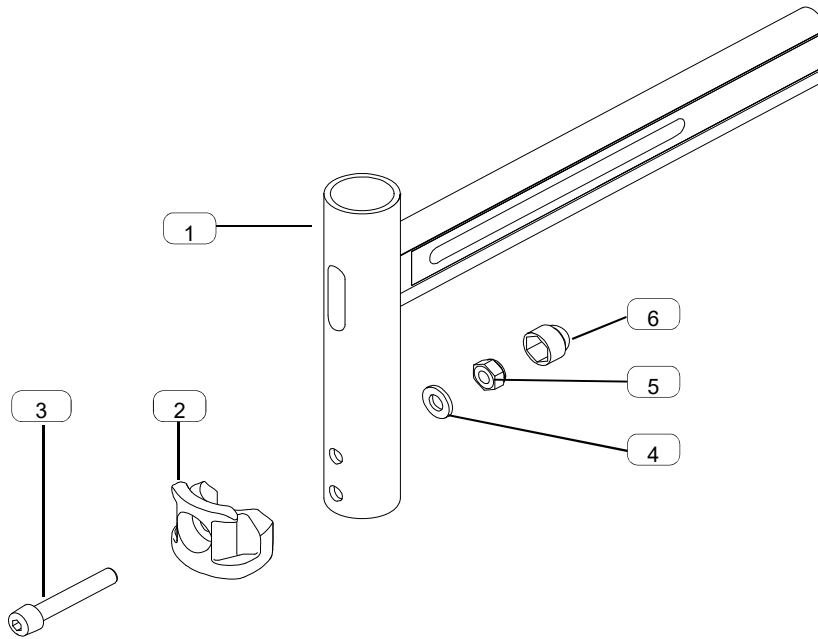
Pos	Ant/Qty	Art.No.	Description	EAN* 7070582	Note
1-5	1	3511039	Main Frame SW 39		S
1-5	1	3511042	Main Frame SW 42		S
1-5	1	3511045	Main Frame SW 45		S
1-5	1	3511048	Main Frame SW 48		S
1-5	1	3511051	Main Frame SW 51		S
1-5	1	3511054	Main Frame SW 54		S
2A	1	3501005	Main frame side cover LHS		S
2B	1	3501006	Main frame side cover RHS		S
3	1	3501003	Gaspring cover		S
	1	97189	Socket screw M4x10 Cyl. Elz.		DIN912
4	2	3509003	Step tip		S
5	2	9011477	PH tapping screw Black 4.8x13 D7981		S



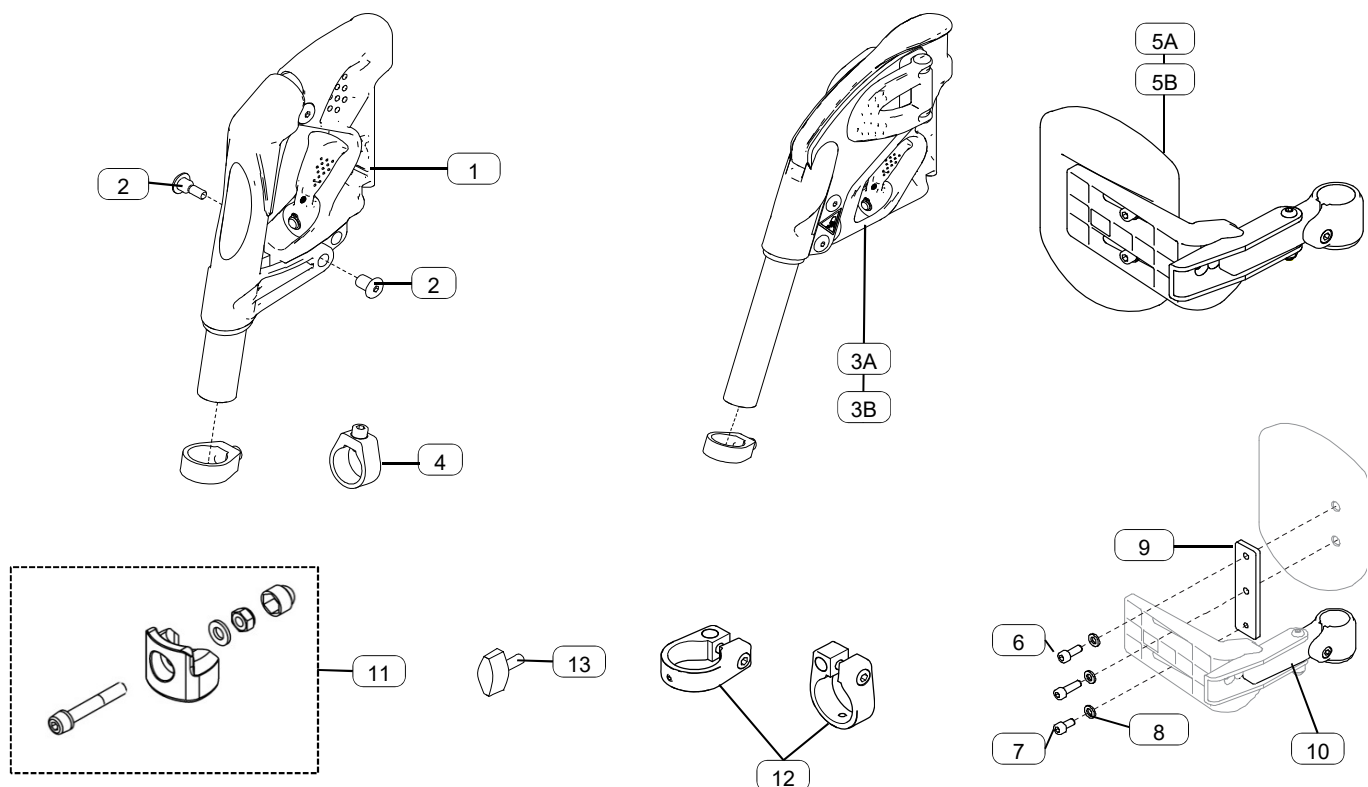
Pos	Ant/Qty	Art.No.	Description	EAN* 7070582	Note
1	1	3512039	Seat tilt complete SW 39		S
1	1	3512042	Seat tilt complete SW 42		S
1	1	3512045	Seat tilt complete SW 45		S
1	1	3512048	Seat tilt complete SW 48		S
1	1	3512051	Seat tilt complete SW 51		S
1	1	3512054	Seat tilt complete SW 54		S
2-3	1	3504001	Gaspring Seattilt Assembly		S
3	1	3502003	Release handle		S



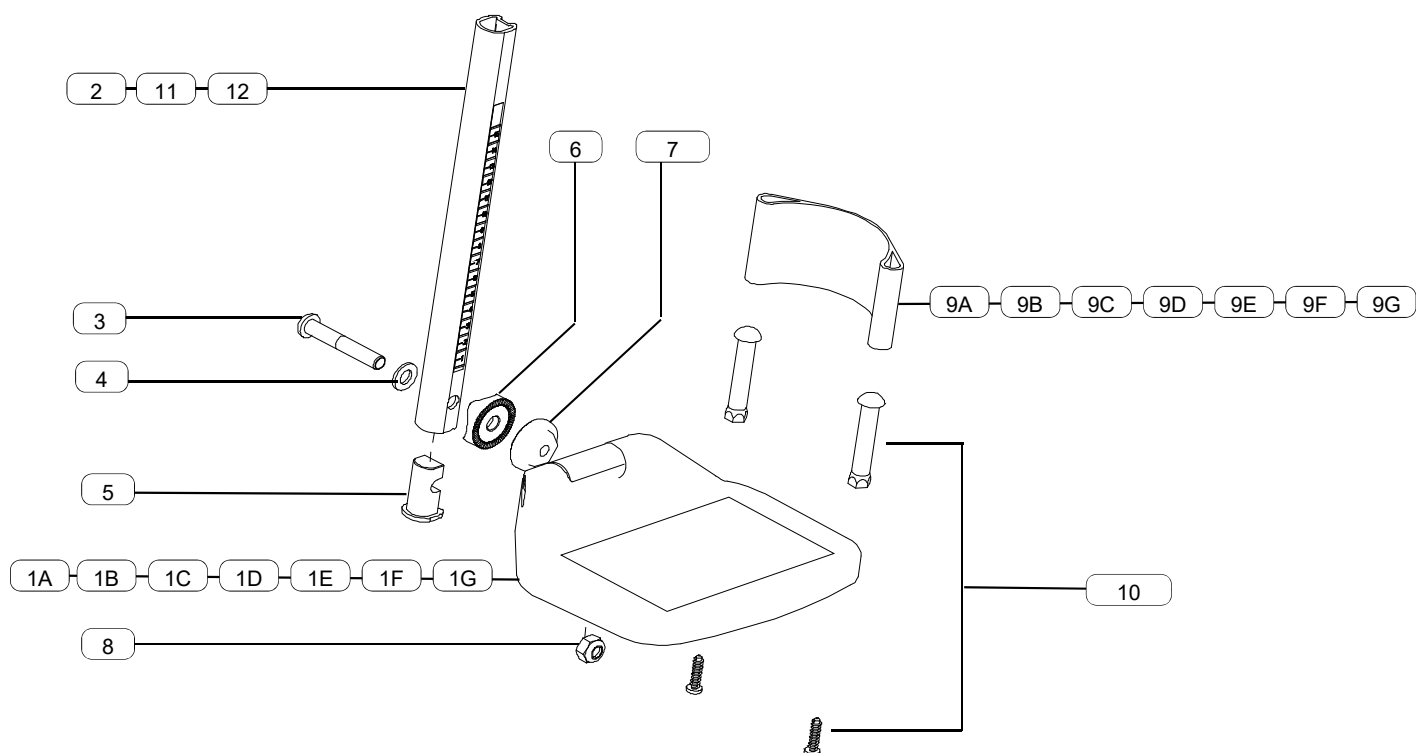
Pos	Ant/Qty	Art.No.	Description	EAN* 7070582	Note
1-2	1	3505001	Gaspring Backrest Assembly		S
2	1	3502003	Release handle		S



Pos	Ant/Qty	Art.No.	Description	EAN* 7070582	Note
1-6	1	3413005	Bracket for leg support complete	+ 041602	S
1	1	3413101	Bracket for leg support		
2	1	3013780	Fixing for hanger		
3	1	3013737	Bolt for fixation M6x37		
4	1	A230006	Washer Ø6 Elz.	+ 015832	DIN125
5	1	A200006	Lock nut M6 Nylock Elz.		DIN985
6	1	CA340006	Nut cap M6		
2-6	1**	3013050	Fixation bracket leg rest - set		S
Note		**	2 of each included item complete for a wheelchair		



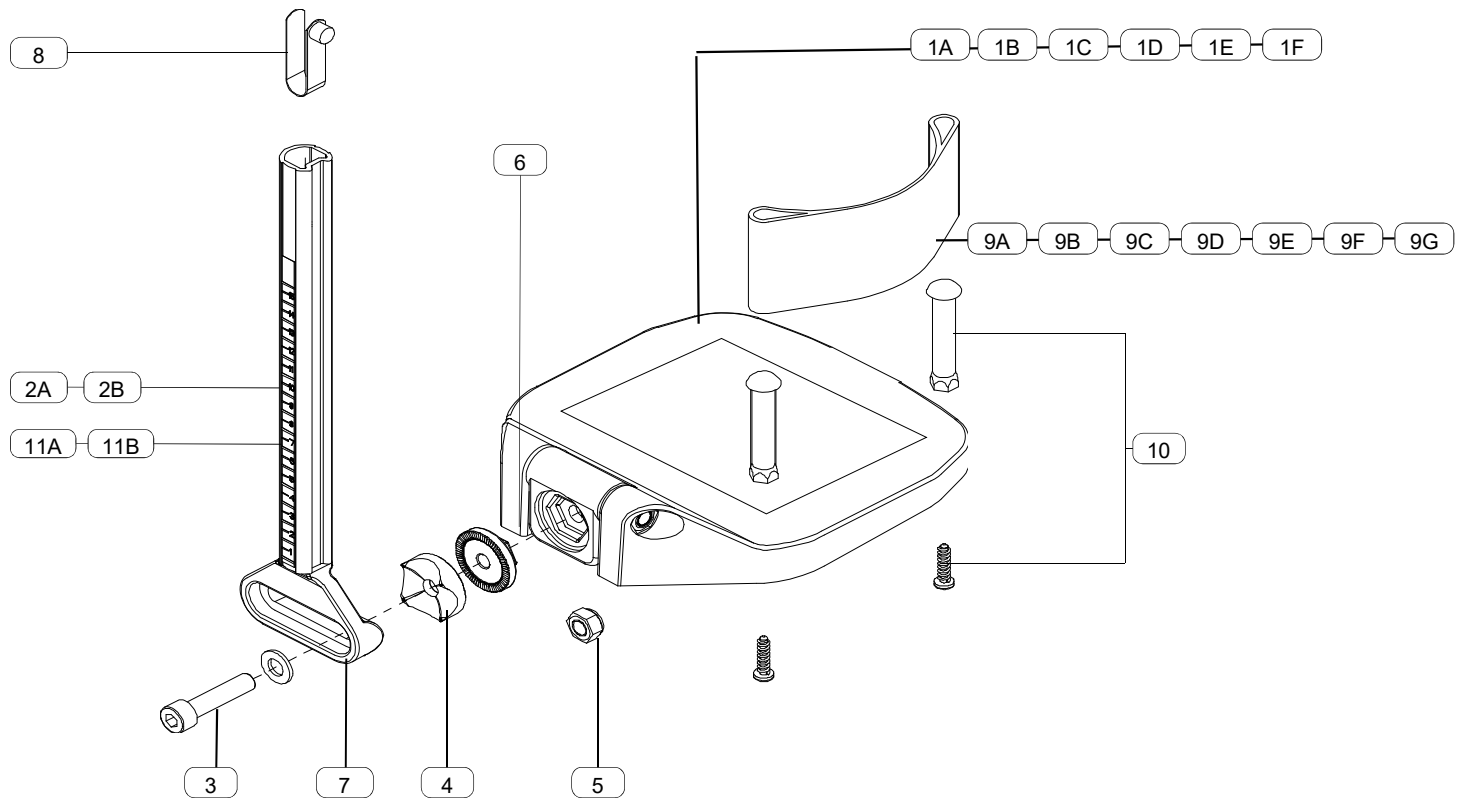
Pos	Ant/Qty	Art.No.	Description	EAN* 7070582	Note
1	1 ¹⁾	3013200	Hanger round tube 70°, 80°, 90° RHS=LHS		S
2		3013210	Angle adjustment screw		S
3A	1	3013501	Hanger, angle adj. round tube RHS		S
3B	1	3013511	Hanger, angle adj. round tube LHS		S
4	1	3013779	Clamp complete		S
5A	1	3013550	Calf support, SW 36-39 RHS=LHS		S
5B	1	3013551	Calf support, SW 42-51 RHS=LHS		S
6-9	1	3013552	Adaptor for calf support, set		S
6	2	0836-16	Screw M6x16 Elz		DIN912
7	1	A230006	Washer Ø6 Elz.		DIN125
8	1	A120013	Hex.h cap screw M6x12 Elz.		DIN912
9	1	3013795	Adaptor for calf support		
10	1	3013752	Clamp for calf support		S
11	1 ²⁾	3013050	Fixation bracket leg rest - set		S
12	1 ³⁾	3013729	Fixation clamp complete, old version		S
13	1	3503001	Wing bolt for footrest adjustment		
	1)		Includes pos 2		
	2)		Set of 2 - Complete for a wheelchair		
	3)		Clamp for older version with bolt inserted from the side		



Pos	Ant/Qty	Art.No.	Description	EAN* 7070582	Note
1A-8		3003400	Footplate angle adjustable SW33 RHS		S
1A-8		3003401	Footplate angle adjustable SW33 LHS		S
1B-8		3003402	Footplate angle adjustable SW36 RHS		S
1B-8		3003403	Footplate angle adjustable SW36 LHS		S
1C-8		3003404	Footplate angle adjustable SW39 RHS		S
1C-8		3003405	Footplate angle adjustable SW39 LHS		S
1D-8		3003406	Footplate angle adjustable SW42 RHS		S
1D-8		3003407	Footplate angle adjustable SW42 LHS		S
1E-8		3003408	Footplate angle adjustable SW45 RHS		S
1E-8		3003409	Footplate angle adjustable SW45 LHS		S
1F-8		3003410	Footplate angle adjustable SW48 RHS		S
1F-8		3003411	Footplate angle adjustable SW48 LHS		S
1G-8		3003412	Footplate angle adjustable SW51 RHS		S
1G-8		3003413	Footplate angle adjustable SW51 LHS		S
1A-9A, 10		3003432	Footplate heel strap SW 33 RHS		S
1A-9A, 10		3003433	Footplate heel strap SW 33 LHS		S
1B-9B, 10		3003414	Footplate angle heel strap SW36 RHS		S
1B-9B, 10		3003415	Footplate angle heel strap SW36 LHS		S
1C-9C, 10		3003416	Footplate angle heel strap SW39 RHS		S
1C-9C, 10		3003417	Footplate angle heel strap SW39 LHS		S
1D-9D, 10		3003418	Footplate angle heel strap SW42 RHS		S
1D-9D, 10		3003419	Footplate angle heel strap SW42 LHS		S
1E-9E, 10		3003420	Footplate angle heel strap SW45 RHS	+ 026364	S
1E-9E, 10		3003421	Footplate angle heel strap SW45 LHS	+ 026371	S
1F-9F, 10		3003422	Footplate angle heel strap SW48 RHS	+ 026388	S
1F-9F, 10		3003423	Footplate angle heel strap SW48 LHS	+ 026395	S
1G-9G, 10		3003424	Footplate angle heel strap SW51 RHS	+ 026401	S
1G-9G, 10		3003425	Footplate angle heel strap SW51 LHS	+ 026418	S

Continues next page

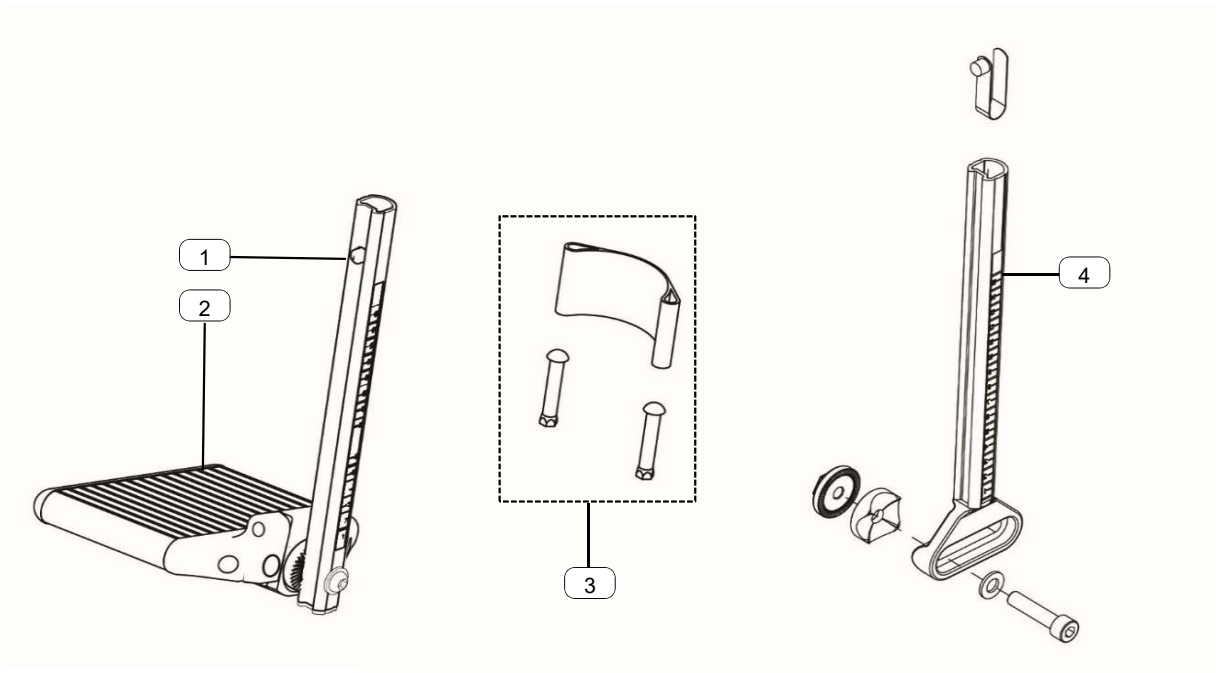
Pos	Ant/Qty	Art.No.	Description	EAN* 7070582	Note
1A		84 760	Footplate a.adj. Plastic 140mm		
1B	1	84 761	Footplate a.adj. Plastic 150mm		
1C	1	84 762	Footplate a.adj. Plastic 160mm		
1D	1	84 763	Footplate a.adj. Plastic 170mm		
1E	1	84 764	Footplate a.adj. Plastic 185mm		
1F	1	84 765	Footplate a.adj. Plastic 200mm		
1G	1	84 766	Footplate a.adj. Plastic 215mm		
2	1	3003795	Slider with snap lock 250mm	+ 034758	S
3	1	97222	Socket screw M8X50 Elz		ISO7380
4	1	A120020	Washer M8 Elz.	+ 015689	DIN125
5	1	3003770	Lock slider	+ 035649	S
6	1	84778	Cagged saddle for round tube		
7	1	84779	Cagged wheel for footplate		
8	1	A200012	Lock nut M8 Nylock Elz.		DIN985
9A-10	1	51541	Heel strap complete for 150 mm footpl.	+ 046027	S
9B-10	1	51542	Heel strap complete for 160 mm footpl.	+ 046034	S
9C-10	1	51543	Heel strap complete for 170 mm footpl.	+ 046041	S
9D-10	1	51544	Heel strap complete for 185 mm footpl.	+ 046058	S
9E-10	1	51545	Heel strap complete for 200 mm footpl.	+ 046065	S
9F-10	1	51546	Heel strap complete for 215 mm footpl.	+ 046072	S
9A	1	51551	Heel strap for 150 mm footpl.		
9B	1	51552	Heel strap for 160 mm footpl.		
9C	1	51553	Heel strap for 170 mm footpl.		
9D	1	51554	Heel strap for 185 mm footpl.		
9E	1	51555	Heel strap for 200 mm footpl.		
9F	1	51556	Heel strap for 215 mm footpl.		
10	2	3003799	Pin with screw for heel strap	+ 037148	S
11	1	3003796	Slider with snap lock 290mm	+ 034765	S
12	1	3003797	Slider with snap lock 170mm	+ 034772	S



Pos	Ant/Qty	Art.No.	Description	EAN* 7070582	Note
1A,2A-8	1	3003452	Footplate angle depth SW 36 R		S
1A,2B-8	1	3003453	Footplate angle depth SW 36 L		S
1B,2A-8	1	3003454	Footplate angle depth SW 39 R		S
1B,2B-8	1	3003455	Footplate angle depth SW 39 L		S
1C,2A-8	1	3003456	Footplate angle depth SW 42 R		S
1C,2B-8	1	3003457	Footplate angle depth SW 42 L		S
1D,2A-8	1	3003458	Footplate angle depth SW 45 R		S
1D,2B-8	1	3003459	Footplate angle depth SW 45 L		S
1E,2A-8	1	3003460	Footplate angle depth SW 48 R		S
1E,2B-8	1	3003461	Footplate angle depth SW 48 L		S
1F,2A-8	1	3003462	Footplate angle depth SW 51 R		S
1F,2B-8	1	3003463	Footplate angle depth SW 51 L		S
1A,2A-10A	1	3003464	Footplate angle depth heelstr. SW36 R		S
1A,2B-10A	1	3003465	Footplate angle depth heelstr. SW36 L		S
1B,2A-10A	1	3003466	Footplate angle depth heelstr. SW39 R		S
1B,2B-10A	1	3003467	Footplate angle depth heelstr. SW39 L		S
1C,2A-10A	1	3003468	Footplate angle depth heelstr. SW42 R		S
1C,2B-10A	1	3003469	Footplate angle depth heelstr. SW42 L		S
1D,2A-10B	1	3003470	Footplate angle depth heelstr. SW45 R		S
1D,2B-10B	1	3003471	Footplate angle depth heelstr. SW45 L		S
1E,2A-10C	1	3003472	Footplate angle depth heelstr. SW48 R		S
1E,2B-10C	1	3003473	Footplate angle depth heelstr. SW48 L		S
1F,2A-10C	1	3003474	Footplate angle depth heelstr. SW51 R	+ 030378	S
1F,2B-10C	1	3003475	Footplate angle depth heelstr. SW51 L	+ 030385	S
1A	1	84761	Footplate a.adj. Plastic 150mm		
1B	1	84762	Footplate a.adj. Plastic 160mm		
1C	1	84763	Footplate a.adj. Plastic 170mm		
1D	1	84764	Footplate a.adj. Plastic 185mm		
1E	1	84765	Footplate a.adj. Plastic 200mm		
1F	1	84766	Footplate a.adj. Plastic 215mm		

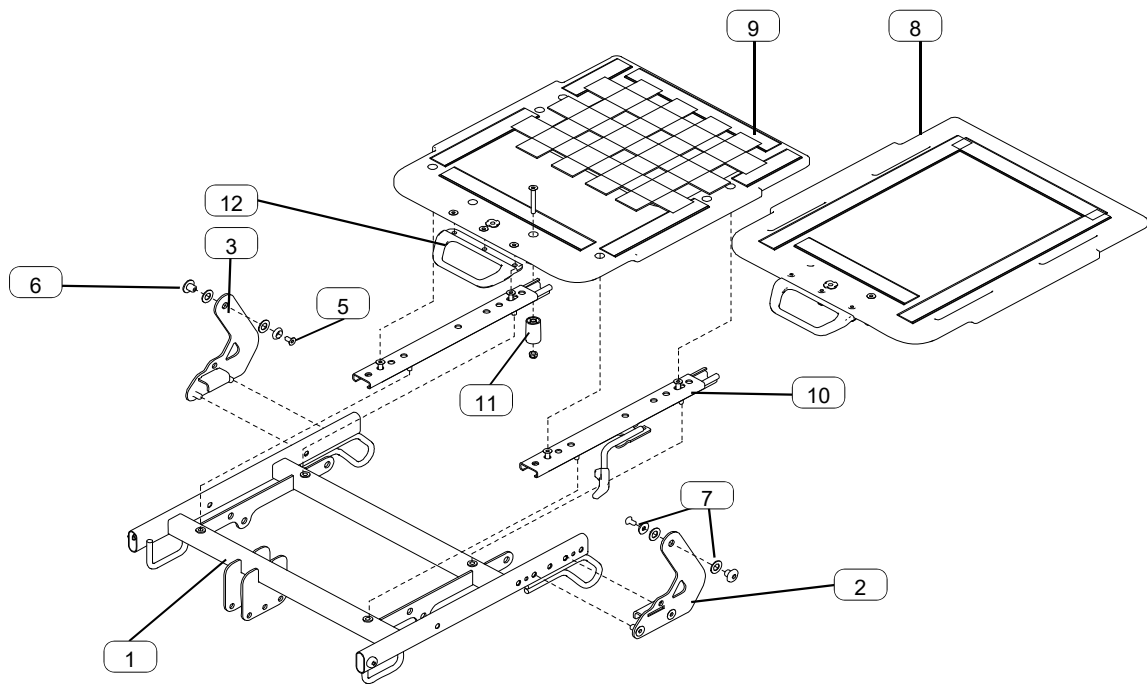
Continues next page

Pos	Ant/Qty	Art.No.	Description	EAN* 7070582	Note
2A,8	1	3003793	Slider depth adj. W. snap lock RHS	+ 046140	S
2B,8	1	3003794	Slider depth adj. W. snap lock LHS	+ 046157	S
2A	1	3003775	Inner sliding tube depth adj. RHS	+ 030989	
2B	1	3003776	Inner sliding tube depth adj. LHS	+ 030996	
3	1	97196	Screw M8x35 Elz.		ISO7380
4	1	84773	Locking cone radius (footpl. plastic)	+ 028139	S
5	1	A200012	Lock nut M8 Nylock Elz.		DIN985
6	2	A433000	Snap lock, complete	+ 016198	S
7	2	97317	Spring washer		DIN2098
8	1	A120020	Washer M8 Elz.	+ 015689	DIN125
9A-10	1	51541	Heel strap complete for 150 mm footpl.	+ 046027	S
9B-10	1	51542	Heel strap complete for 160 mm footpl.	+ 046034	S
9C-10	1	51543	Heel strap complete for 170 mm footpl.	+ 046041	S
9D-10	1	51544	Heel strap complete for 185 mm footpl.	+ 046058	S
9E-10	1	51545	Heel strap complete for 200 mm footpl.	+ 046065	S
9F-10	1	51546	Heel strap complete for 215 mm footpl.	+ 046072	S
9A	1	51551	Heel strap for 150 mm footpl.		
9B	1	51552	Heel strap for 160 mm footpl.		
9C	1	51553	Heel strap for 170 mm footpl.		
9D	1	51554	Heel strap for 185 mm footpl.		
9E	1	51555	Heel strap for 200 mm footpl.		
9F	1	51556	Heel strap for 215 mm footpl.		
10	2	3003799	Pin with screw for heel strap	+ 037148	S
11	1	3003796	Slider with snap lock 290mm	+ 034765	S
12	1	3003797	Slider with snap lock 170mm	+ 034772	S

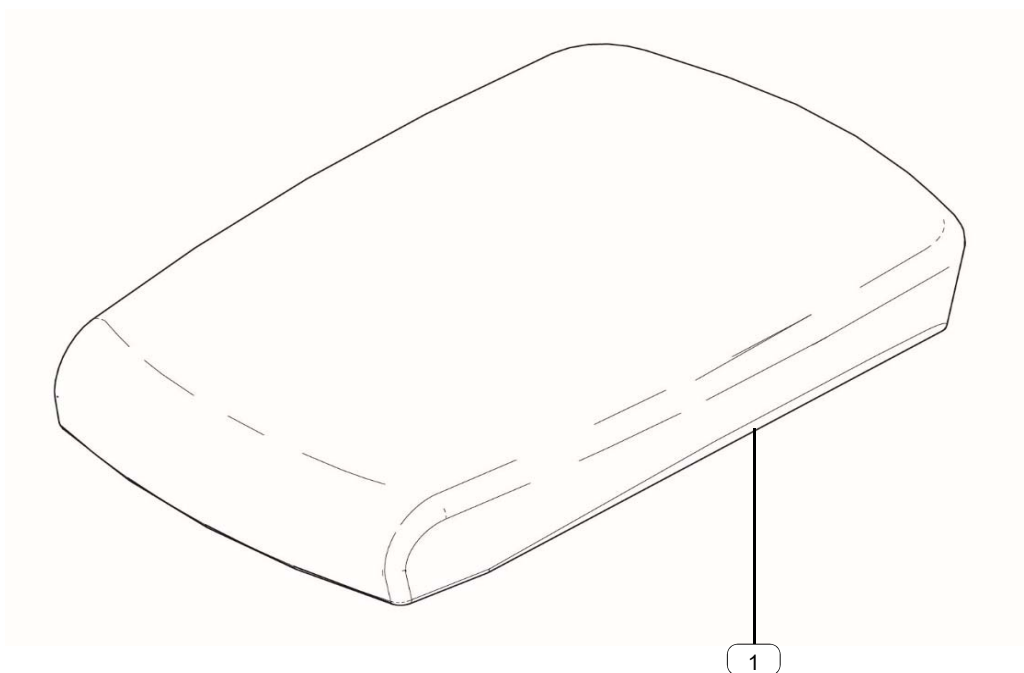


Only for Cirrus G5 SW 54

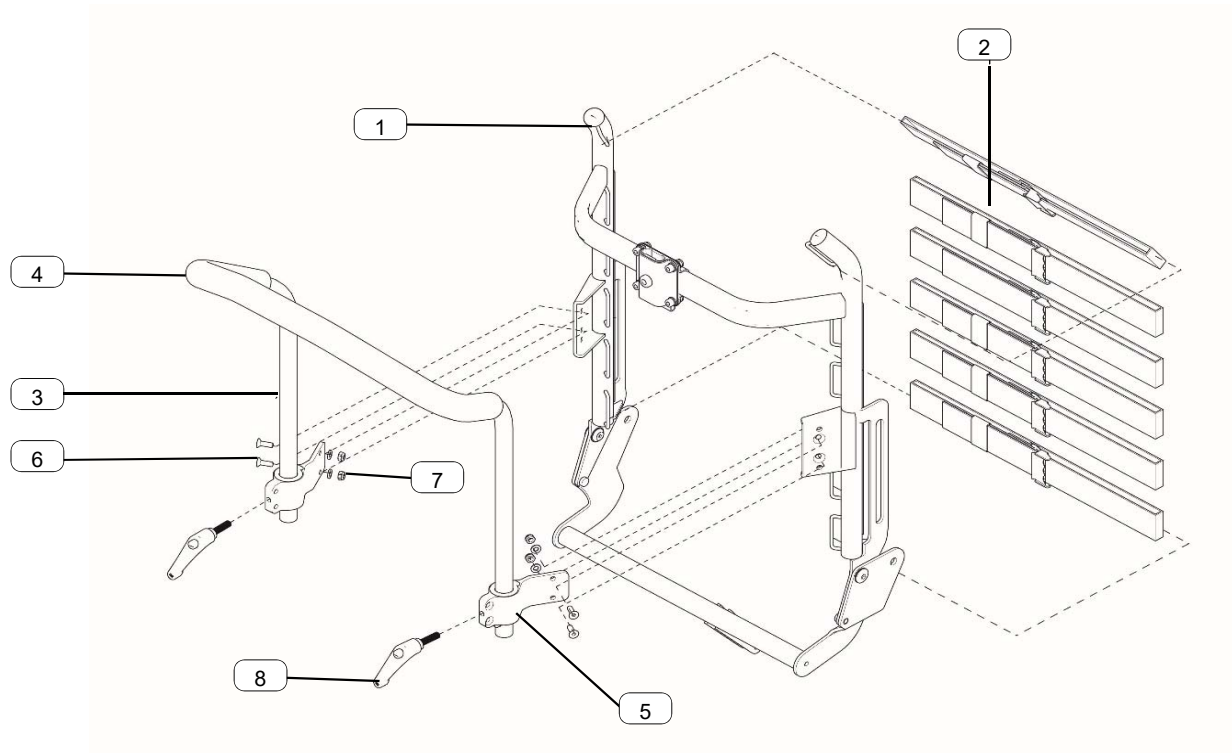
Pos	Ant/Qty	Art.No.	Description	EAN* 7070582	Note
1,2	1	3503400	Footplate angle adjustable SW54 RHS		S
1,2	1	3503401	Footplate angle adjustable SW54 LHS		S
1,2,3	1	3503402	Footplate angle adjustable with heel strap SW54 RHS		S
1,2,3	1	3503403	Footplate angle adjustable with heel strap SW54 LHS		S
2,4	1	3503404	Footplate angle and depth adjustable SW54 RHS		S
2,4	1	3503405	Footplate angle and depth adjustable SW54 LHS		S
2,3,4	1	3503406	Footplate angle and depth adjustable with heel strap SW54 RHS		S
2,3,4	1	3503407	Footplate angle and depth adjustable with heel strap SW54 LHS		S



Pos	Ant/Qty	Art.No.	Description	EAN* 7070582	Note
1-7,9-11	1	3514039	Seat Frame complete SW 39		S
1-7,9-11	1	3514042	Seat Frame complete SW 42		S
1-7,9-11	1	3514045	Seat Frame complete SW 45		S
1-7,9-11	1	3514048	Seat Frame complete SW 48		S
1-7,9-11	1	3514051	Seat Frame complete SW 51		S
1-7,9-11	1	3514054	Seat Frame complete SW 54		S
1	1	3504039	Seat Frame SW 39		S
1	1	3504042	Seat Frame SW 42		S
1	1	3504045	Seat Frame SW 45		S
1	1	3504048	Seat Frame SW 48		S
1	1	3504051	Seat Frame SW 51		S
1	1	3504054	Seat Frame SW 54		S
2	1	3504215	Backrest Hinge assy RHS		S
3	1	3504216	Backrest Hinge assy LHS		S
5	2	3504212	Hinge Nut		DIN985
6	2	3504213	Hinge Countersunk Washer		DIN125
7	2	3516338	PA washer 20x10x1		S
8	1	3504339	Seatplate w/ Velcro SW 39		DIN985
8	1	3504342	Seatplate w/ Velcro SW 42		S
8	1	3504345	Seatplate w/ Velcro SW 45		S
8	1	3504348	Seatplate w/ Velcro SW 48		S
8	1	3504351	Seatplate w/ Velcro SW 51		S
8	1	3504354	Seatplate w/ Velcro SW 54		S
9	1	3504539	Seatplate pelvic w/Velcro SW 39		S
9	1	3504542	Seatplate pelvic w/Velcro SW 42		S
9	1	3504545	Seatplate pelvic w/Velcro SW 45		S
9	2	3504548	Seatplate pelvic w/Velcro SW 48		S
9	1	3504551	Seatplate pelvic w/Velcro SW 51		S
9	1	3504554	Seatplate pelvic w/Velcro SW 54		S
10	2	3504003	Seat Slider		S
11	1	3504002	Seatplate height spacer		S
12	1	3504004	Handle for sliding seat		S

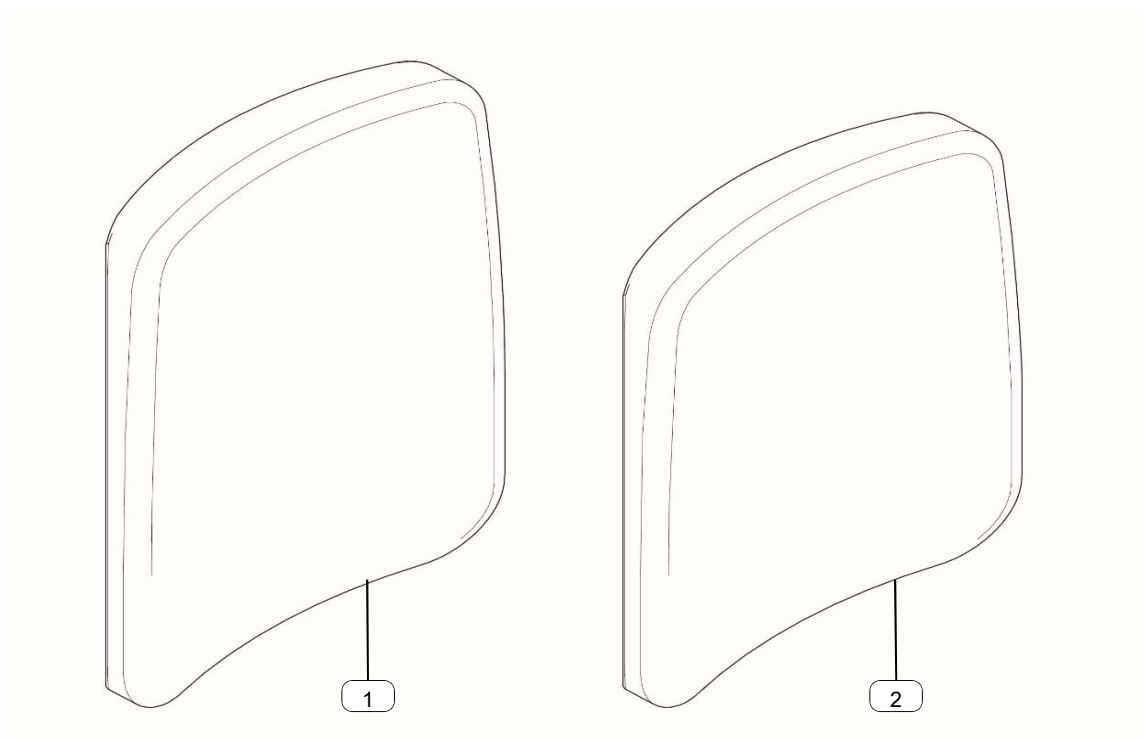


Pos	Ant/Qty	Art.No.	Description	EAN* 7070582	Note
1	1	3514639	Seat cushion comfort + Trevira SW 39		S
1	1	3514642	Seat cushion comfort + Trevira SW 42		S
1	1	3514645	Seat cushion comfort + Trevira SW 45		S
1	1	3514648	Seat cushion comfort + Trevira SW 48		S
1	1	3514651	Seat cushion comfort + Trevira SW 51		S
1	1	3514654	Seat cushion comfort + Trevira SW 54		S
1	1	3514739	Seat cushion comfort + Vinyl SW 39		S
1	1	3514742	Seat cushion comfort + Vinyl SW 42		S
1	1	3514745	Seat cushion comfort + Vinyl SW 45		S
1	1	3514748	Seat cushion comfort + Vinyl SW 48		S
1	1	3514751	Seat cushion comfort + Vinyl SW 51		S
1	1	3514754	Seat cushion comfort + Vinyl SW 54		S

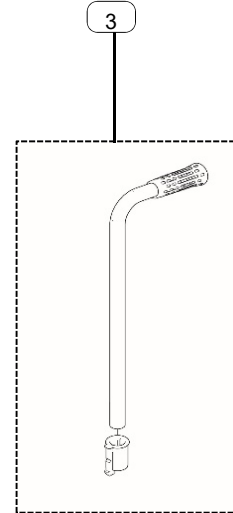
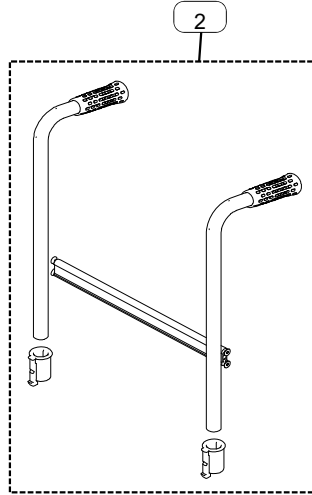
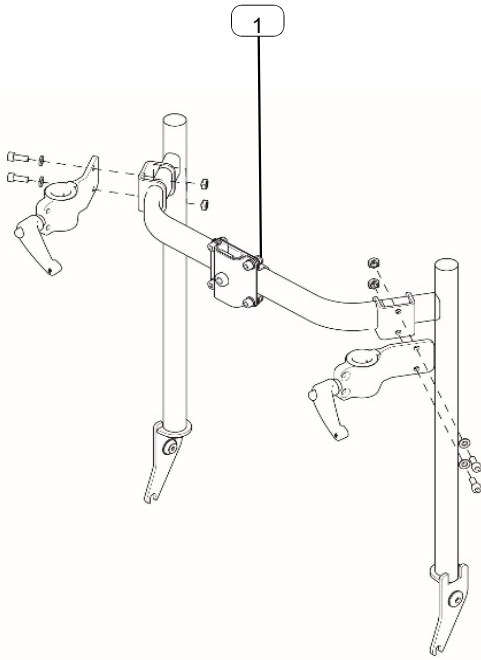


Pos	Ant/Qty	Art.No.	Description	EAN* 7070582	Note
1-8	1	3515039	Backrest Assembly with push bar SW 39		S
1-8	1	3515042	Backrest Assembly with push bar SW 42		S
1-8	1	3515045	Backrest Assembly with push bar SW 45		S
1-8	1	3515048	Backrest Assembly with push bar SW 48		S
1-8	1	3515051	Backrest Assembly with push bar SW 51		S
1-8	1	3515054	Backrest Assembly with push bar SW 54		S
1-2	1	3515539	Backrest Assembly SW 39		S
1-2	1	3515542	Backrest Assembly SW 42		S
1-2	1	3515545	Backrest Assembly SW 45		S
1-2	1	3515548	Backrest Assembly SW 48		S
1-2	1	3515551	Backrest Assembly SW 51		S
1-2	1	3515554	Backrest Assembly SW 54		S
2	6	3515742	Backrest strap SW 39-42		S
2	6	3515748	Backrest strap SW 45-48		S
2	6	3515754	Backrest strap SW 51-54		S
3	1	3415120	Push bar SW 39		
3	1	3415123	Push bar SW 42		
3	1	3415121	Push bar SW 45		
3	1	3415124	Push bar SW 48		
3	1	3415122	Push bar SW 51		
3	1	3505102	Push bar SW 54		
3-8	1	3505139	Push bar set complete SW39		S
3-8	1	3505142	Push bar set complete SW42		S
3-8	1	3505145	Push bar set complete SW45		S
3-8	1	3505148	Push bar set complete SW48		S
3-8	1	3505151	Push bar set complete SW51		S
3-8	1	3505154	Push bar set complete SW54		S
3-4	1	3405120	Push bar with foam SW 39		S
3-4	1	3405123	Push bar with foam SW 42		S
3-4	1	3405121	Push bar with foam SW 45		S

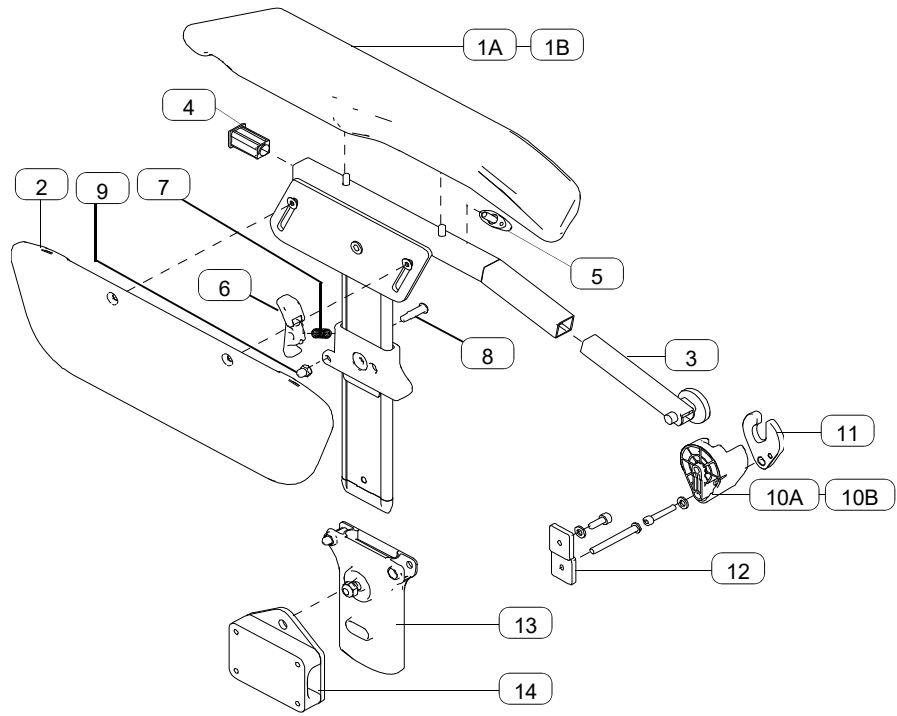
Pos	Ant/Qty	Art.No.	Description	EAN* 7070582	Note
3-4	1	3405124	Push bar with foam SW 48		S
3-4	1	3405122	Push bar with foam SW 51		S
3-4	1	3505100	Push bar with foam SW54		S
4	1	3405130	Foam push bar SW 39		S
4	1	3405131	Foam push bar SW 42		S
4	1	3405132	Foam push bar SW 45		S
4	1	3405133	Foam push bar SW 48		S
4	1	3405134	Foam push bar SW 51		S
4	1	3505101	Foam push bar SW 54		S
5	2	3465510	Slide housing		
6	4	86975	Screw M6x18 Elz.		
7	4	A230006	Washer Ø6 Elz.		
8	2	3003666	Locking handle M8x20		S
1-8		3525039	Backrest Assembly Low with push bar SW 39		S
1-8	1	3525042	Backrest Assembly Low with push bar SW 42		S
1-8	1	3525045	Backrest Assembly Low with push bar SW 45		S
1-8	1	3525048	Backrest Assembly Low with push bar SW 48		S
1-8	1	3525051	Backrest Assembly Low with push bar SW 51		S
1-8	1	3525054	Backrest Assembly Low with push bar SW 54		S
1-2	1	3525139	Backrest Assembly Low SW 39		S
1-2	1	3525142	Backrest Assembly Low SW 42		S
1-2	1	3525145	Backrest Assembly Low SW 45		S
1-2	1	3525148	Backrest Assembly Low SW 48		S
1-2	1	3525151	Backrest Assembly Low SW 51		S
1-2	1	3525154	Backrest Assembly Low SW 54		S



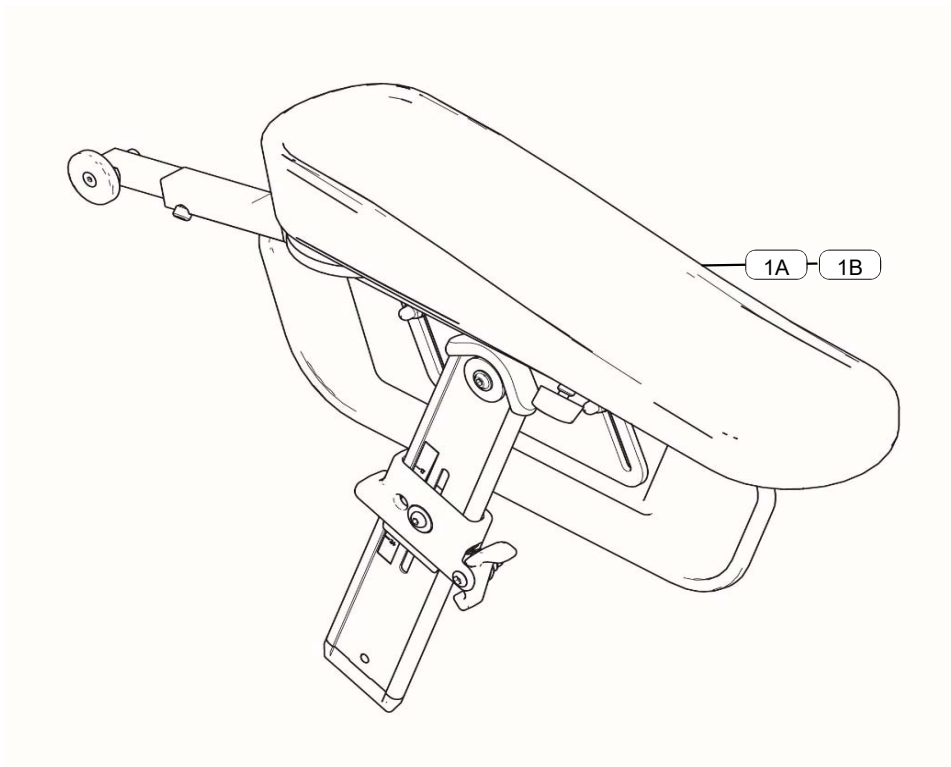
Pos	Ant/Qty	Art.No.	Description	EAN* 7070582	Note
1	1	3515839	Comfort back cushion Trevira CS SW39		S
1	1	3515842	Comfort back cushion Trevira CS SW42		S
1	1	3515845	Comfort back cushion Trevira CS SW45		S
1	1	3515848	Comfort back cushion Trevira CS SW48		S
1	1	3515851	Comfort back cushion Trevira CS SW51		S
1	1	3515854	Comfort back cushion Trevira CS SW54		S
2	1	3525839	Comfort back cushion Low Trevira CS SW39		S
2	1	3525842	Comfort back cushion Low Trevira CS SW42		S
2	1	3525845	Comfort back cushion Low Trevira CS SW45		S
2	1	3525848	Comfort back cushion Low Trevira CS SW48		S
2	1	3525851	Comfort back cushion Low Trevira CS SW51		S
2	1	3525854	Comfort back cushion Low Trevira CS SW54		S
1	1	3515939	Comfort back cushion Vinyl SW39		S
1	1	3515942	Comfort back cushion Vinyl SW42		S
1	1	3515945	Comfort back cushion Vinyl SW45		S
1	1	3515948	Comfort back cushion Vinyl SW48		S
1	1	3515951	Comfort back cushion Vinyl SW51		S
1	1	3515954	Comfort back cushion Vinyl SW54		S
2	1	3525939	Comfort back cushion Low Vinyl SW39		S
2	1	3525942	Comfort back cushion Low Vinyl SW42		S
2	1	3525945	Comfort back cushion Low Vinyl SW45		S
2	1	3525948	Comfort back cushion Low Vinyl SW48		S
2	1	3525951	Comfort back cushion Low Vinyl SW51		S
2	1	3525954	Comfort back cushion Low Vinyl SW54		S



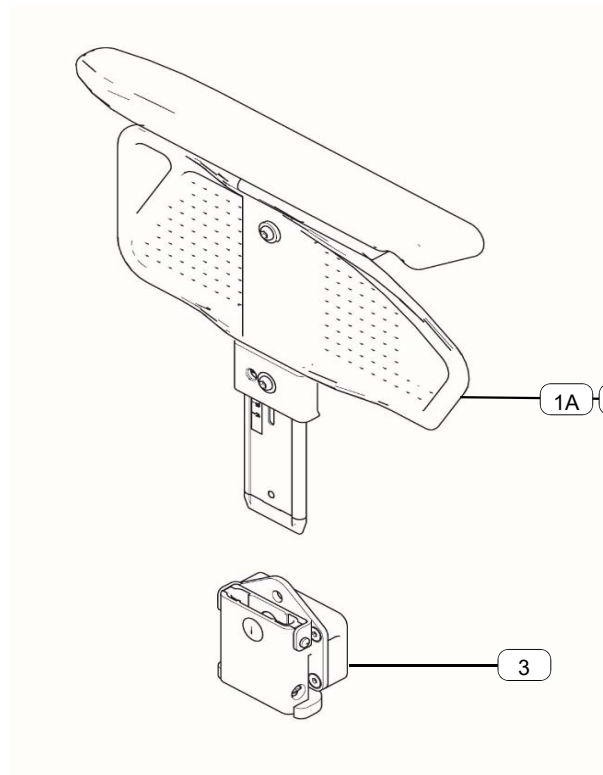
Pos	Ant/Qty	Art.No.	Description	EAN* 7070582	Note
1	1	3505039	Backrest Assembly 3rd party SW 39		S
1	1	3505042	Backrest Assembly 3rd party SW 42		S
1	1	3505045	Backrest Assembly 3rd party SW 45		S
1	1	3505048	Backrest Assembly 3rd party SW 48		S
1	1	3505051	Backrest Assembly 3rd party SW 51		S
1	1	3505054	Backrest Assembly 3rd party SW 54		S
2	1	3405501	Push handles compl. Set SW39		S
2	1	3405502	Push handles compl. Set SW42		S
2	1	3405503	Push handles compl. Set SW45		S
2	1	3405504	Push handles compl. Set SW48		S
2	1	3405505	Push handles compl. Set SW51		S
2	1	3505130	Push handles compl. Set SW 54		S
3	1	9008777	Push handle complete RHS=LHS		S



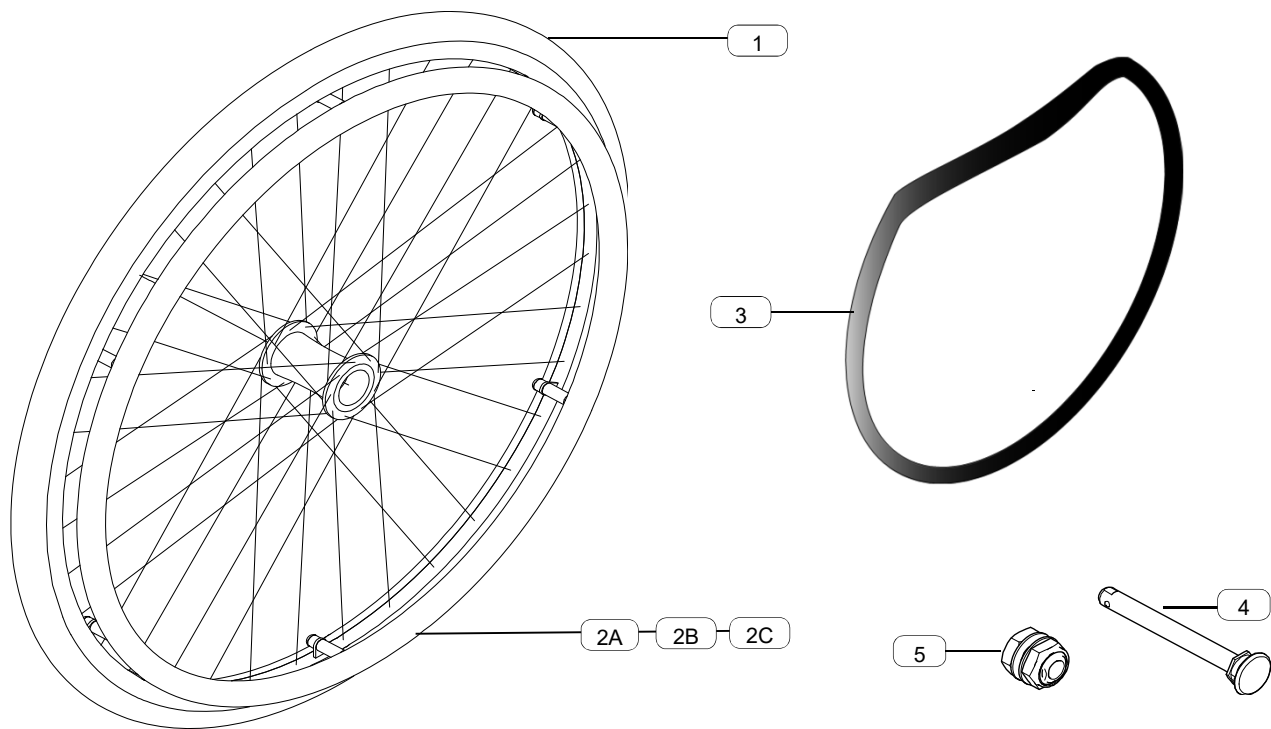
Pos	Ant/Qty	Art.No.	Description	EAN* 7070582	Note
1A, 2-9	1	3516300	Armrest assy hinged RHS		S
1B-9	1	3516400	Armrest assy hinged LHS		S
1A	1	3006120	Pads armrest RHS		S
1B	1	3006121	Pads armrest LHS		S
2	2	3516303	Cloth guard LHS=RHS		S
3	2	3516320	Hinge tube assembly		S
4	2	A240021	Plastic plug		S
5	2	A520005	Wing screw		S
6-9	1	3516340	Armrest release lever - set		S
6	1	3516335	Height adjustment handle		
7	1	3516339	Spring Ø9x16x1		
8	1	3516337	Locking pin		
9	1		Hexagon cap nut		
10A, 11-12	1	3516540	Armrest Hinge Block RHS		S
10B, 11-12	1	3516550	Armrest Hinge Block LHS		S
10A	1	3516542	Hinge Block RHS		
10B	2	3516552	Hinge Block LHS		
11	1	3516543	Hinge Plate		
12	2	3516544	Hinge backing plate		
13	2	3516301	Hinged armrest holder RHS=LHS		S
14	2	3516500	Fixing bracket Hinged armrest		S



Pos	Ant/Qty	Art.No.	Description	EAN* 7070582	Note
1A	1	3516600	Hemiplegia armrest RHS		S
1B	1	3516700	Hemiplegia armrest LHS		S

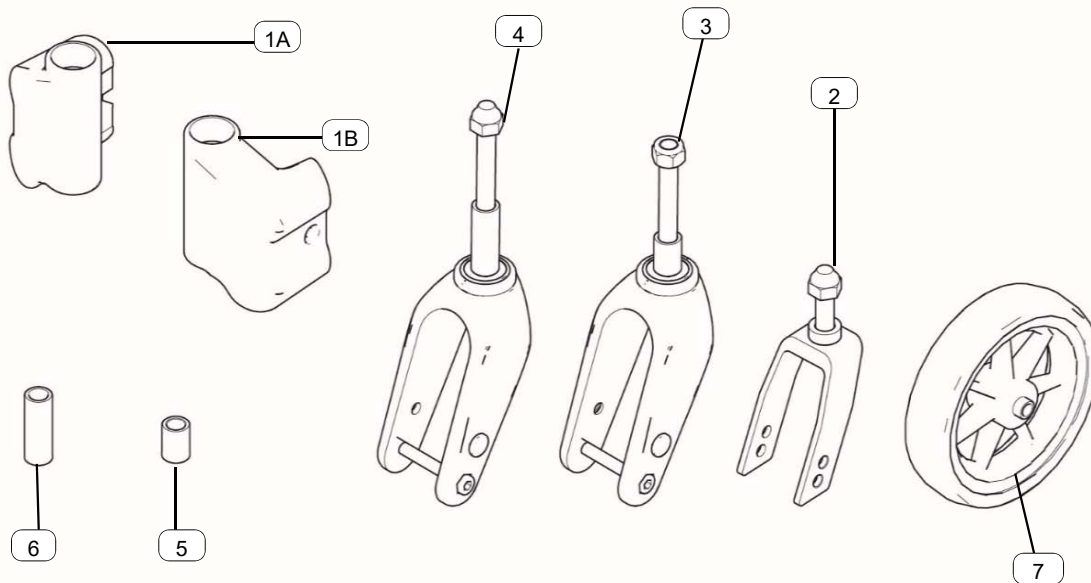


Pos	Ant/Qty	Art.No.	Description	EAN* 7070582	Note
1A-3	1	3306050	Armrest 40 cm pad, height 17-24 RHS		S
1B-3	1	3306051	Armrest 40 cm pad, height 17-24 LHS		S
3	1	3516001	Mounting bracket detachable armrest L=R		S

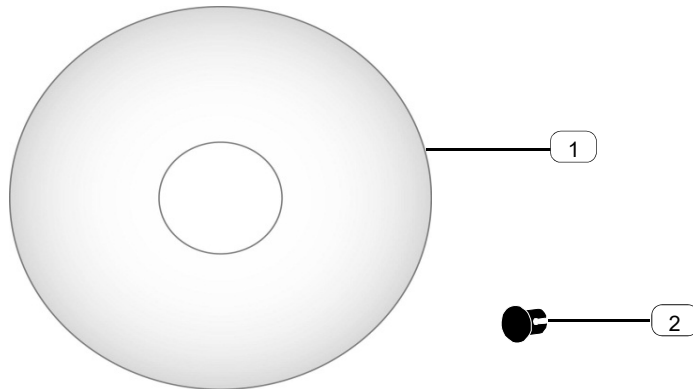


Pos	Ant/Qty	Art.No.	Description	Note
1,2A	1	84400	20" Drive wheel HP. 25mm alu pr.	S
1,2A	1	84401	20" Drive wheel 25mm alu pr.	S
1,2A	1	84410	20" Drive wheel Pneu, 37mm alu pr.	S
1,2A	1	84415	20" Drive wheel Comp. 37mm alu pr	S
1,2A	1	84420	22" Drive wheel HP. 25mm alu pr.	S
1,2A	1	84421	22" Drive wheel Solid 25mm alu pr.	S
1,2A	1	84430	22" Drive wheel Pneu, 37mm alu pr.	S
1,2A	1	84435	22" Drive wheel Comp. 37mm alu pr	S
1,2A	1	84440	24" Drive wheel HP. 25mm alu pr.	S
1,2A	1	84441	24" Drive wheel Solid 25mm alu pr.	S
1,2A	1	84450	24" Drive wheel Pneu, 37mm alu pr.	S
1,2A	1	84455	24" Drive wheel Comp. 37mm alu pr	S
1,2B	1	84452	24" Drive wheel Pneu, 37mm grip pr.	S
1,2B	1	84453	24" Drive wheel Solid 37mm grip pr.	S
1,2C	1	84405	20" Drive Flex 25mm steel pushr	S
1,2C	1	84425	22" Drive Flex 25mm steel pushr	S
1,2C	1	84447	24" Drive Flex 25mm steel pushr	S
2A	1	84540	20" Pushrim anodized	S
2A	1	84541	22" Pushrim anodized	S
2A	1	84542	24" Pushrim anodized	S
2B	1	84544	20" Pushrim Grip friction	S
2B	1	84545	22" Pushrim Grip friction	S
2B	1	84546	24" Pushrim Grip friction	S
2C	1	84694	20" Stainless Steel pushrim	S
2C	1	84695	22" Stainless Steel pushrim	S
2C	1	84696	24" Stainless Steel pushrim	S
3	1	84536	20" Grip friction pushrim cover	S
3	1	84537	22" Grip friction pushrim cover	S
3	1	84538	24" Grip friction pushrim cover	S
4-5	1 ¹⁾	3517012	QR bolt and adapter - set	S
4	1	3507001	QR ø12x98	S
5	1	3507002	Adapter for QR	S

1) For Cirrus G5 with regular drive wheel - not drum brake



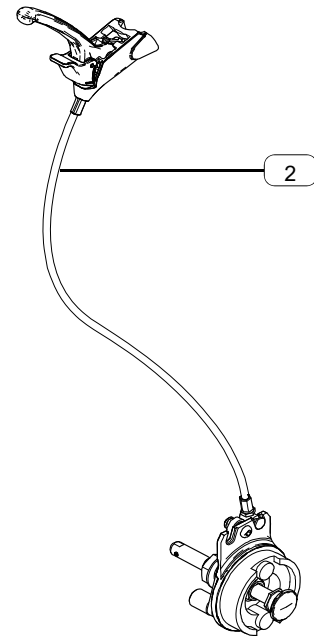
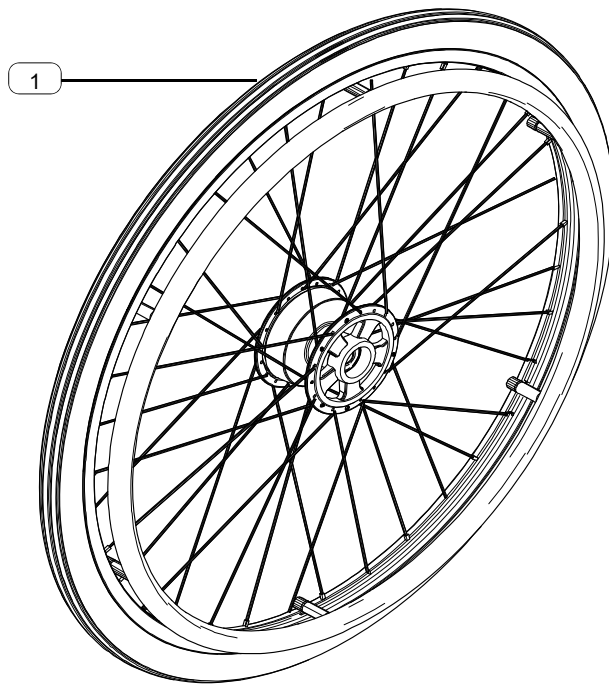
Pos	Ant/Qty	Art.No.	Description	EAN* 7070582	Note
1A	1	3517010	Castor housing dual position RHS		S
1B	1	3517020	Castor housing dual position LHS		S
2	2	3517032	Fork for 5" wheel		S
3	2	3517030	Fork for 6"/8" wheel 130		S
4	2	3517031	Fork for 6"/8" wheel 155		S
5	2	3517013	Castor Spacer		S
6	2	3517015	Castor Spacer extended		S
7	2	84552	5" Front wheel comp 125x27mm		S
7	2	84555	6" Front wheel comp 150x27mm		S
7	2	84554	6" Front wheel comp 150x33mm		S
7	2	84556	6" Front wheel Pneu 150x30mm		S
7	2	84557	8" Front wheel comp 200x27mm		S
7	2	84565	8" Steering wheel Compact 33mm		S
7	2	84558	8" Front wheel pneumatic 200x30mm		S



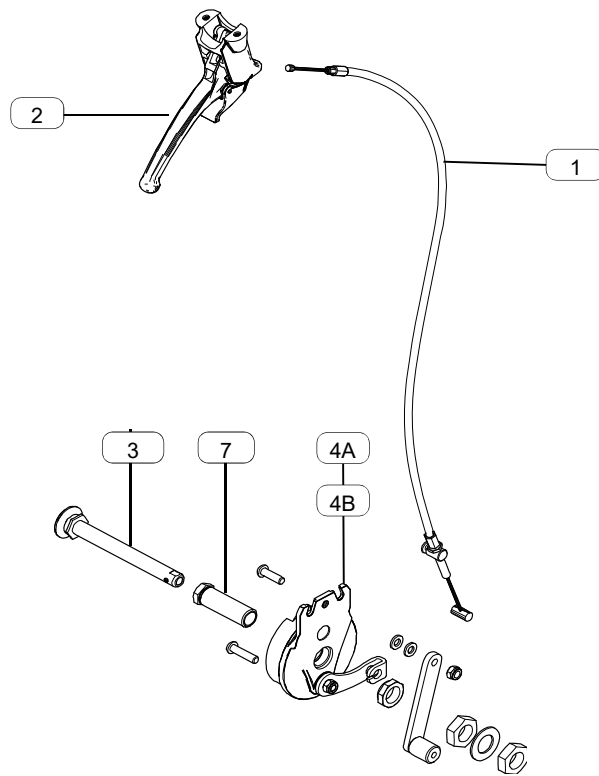
Pos	Ant/Qty	Art.No.	Description	EAN* 7070582	Note
1	1	53272	Spoke guards 20" Clear		S
1	1	53273	Spoke guards 22" Clear		S
1	1	51686	Spoke guards 24" Clear		S
2	6 ¹⁾	84675	Fixation plugs set of 6 pieces		S

Note:

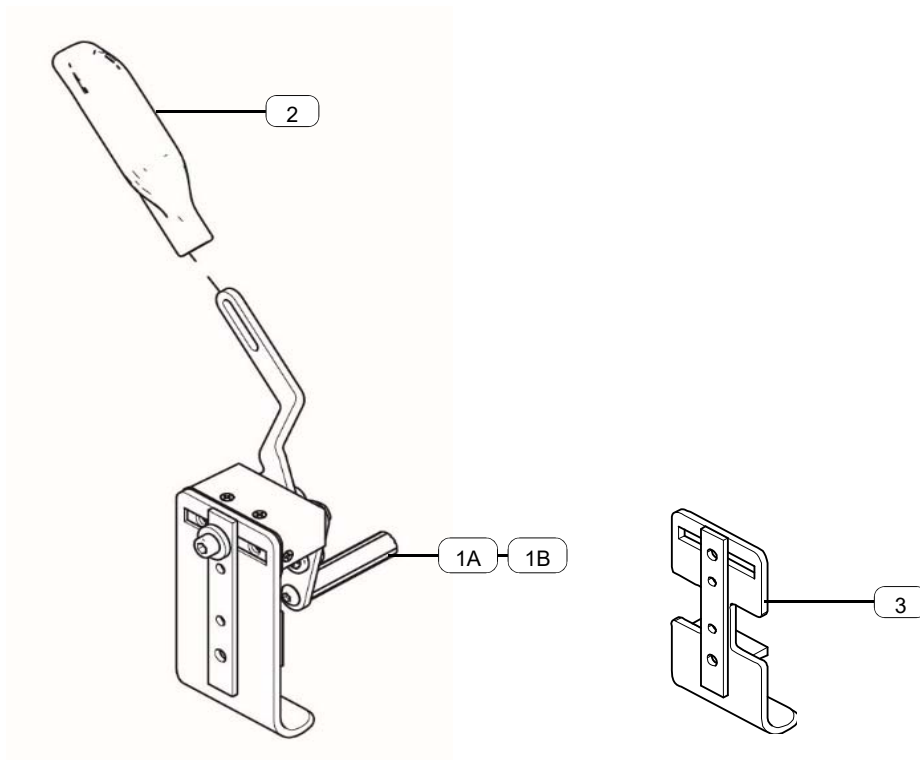
1) Package 50 pcs.



Pos	Ant/Qty	Art.No.	Description	EAN* 7070582	Note
1-2		3507517	Drum brake complete set solid 20"		S
1-2		3507537	Drum brake complete set solid 22"		S
1-2		3507557	Drum brake complete set solid 24"		S
1	1	84416	20" Wheel w/drum brake Pneu		S
1	1	84436	22" Wheel w/drum brake Pneu		S
1	1	84456	24" Wheel w/drum brake Pneu		S
1	1	84419	20" Wheel w/drum brake solid		S
1	1	84439	22" Wheel w/drum brake solid		S
1	1	84458	24" Wheel w/drum brake solid		S
2	1	3509990	Parts for drum brake cirrus G5 See chap. 7.4.1 for structure drum brake Cirrus G5		S



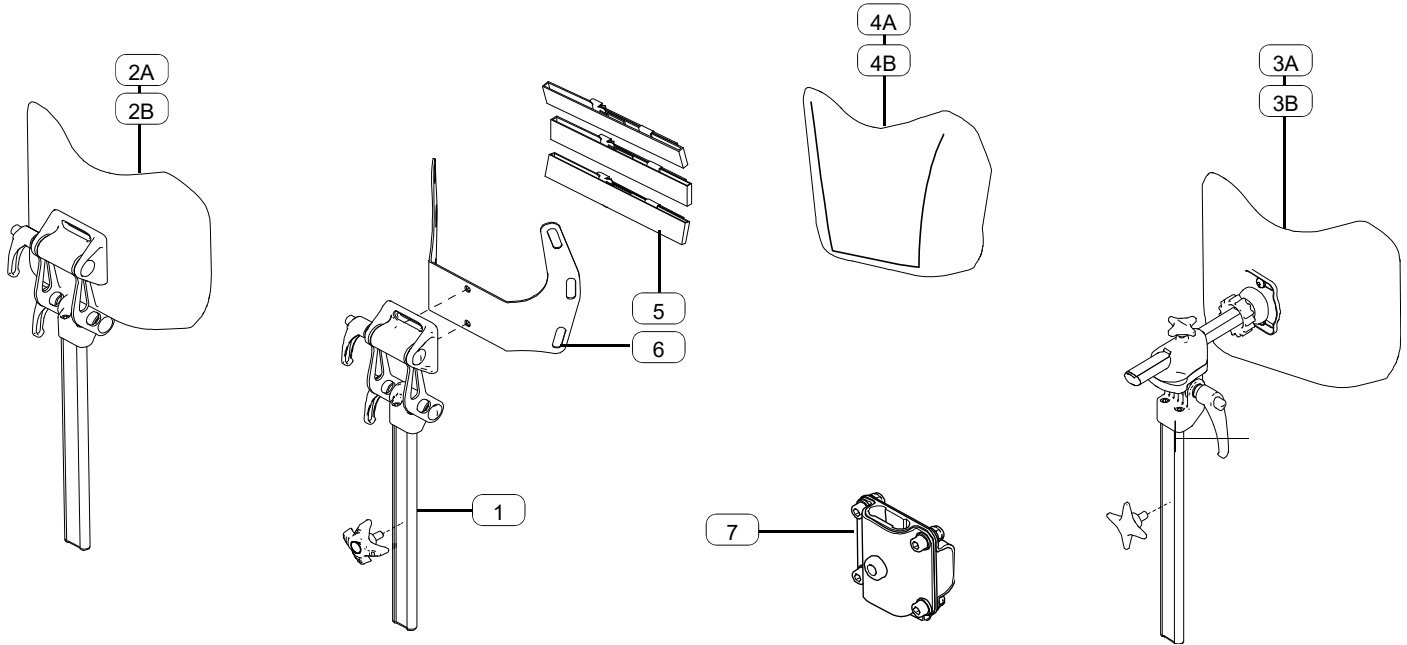
Pos	Ant/Qty	Art.No.	Description	EAN* 7070582	Note
1-7	1	3509990	Parts for drum brake cirrus G5		S
1	2	3509991	Wire for drum brake		S
2	2	3509993	Brake handle		S
3	2	3507001	QR \varnothing 12x98		S
5	1	3507004	Drumbrake anchor plate assy A		S
6	1	3507005	Drumbrake anchor plate assy B		S
7	2	3507006	Drum brake threaded tube M16x52		S



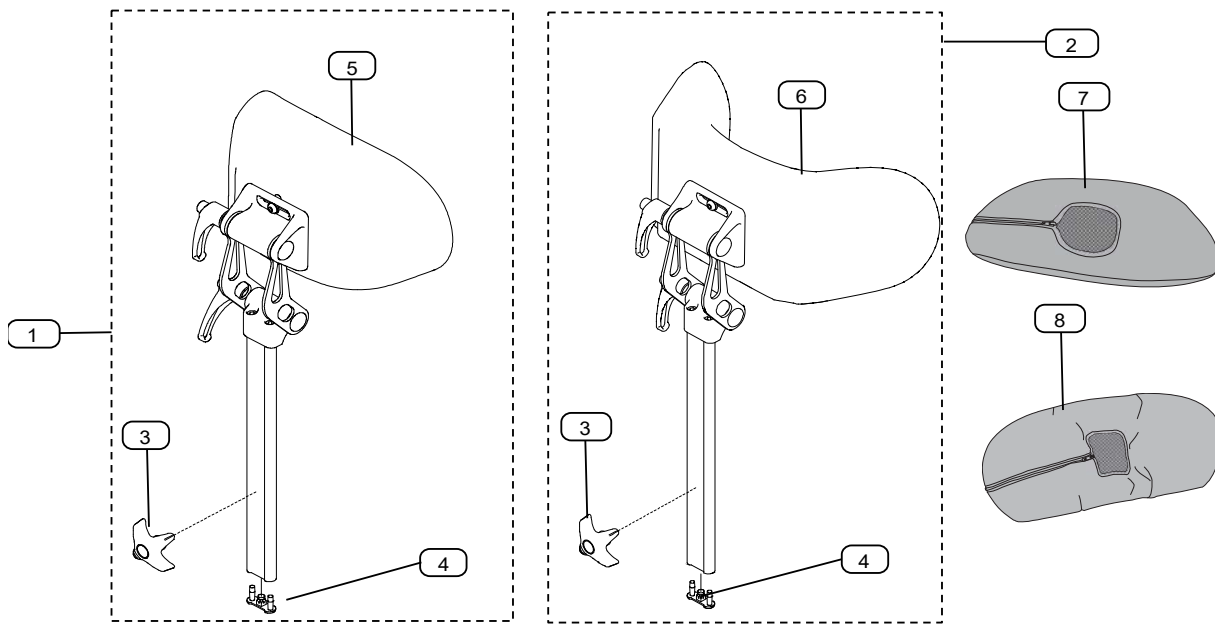
Pos	Ant/Qty	Art.No.	Description	EAN* 7070582	Note
1A,2	1	3508001	Brake pull assembly RHS		S
1B,2	1	3508002	Brake pull assembly LHS		S
2	2	3508011	Brake handle		S
3	1 ¹⁾	3508310	Brake plate		S

Note:

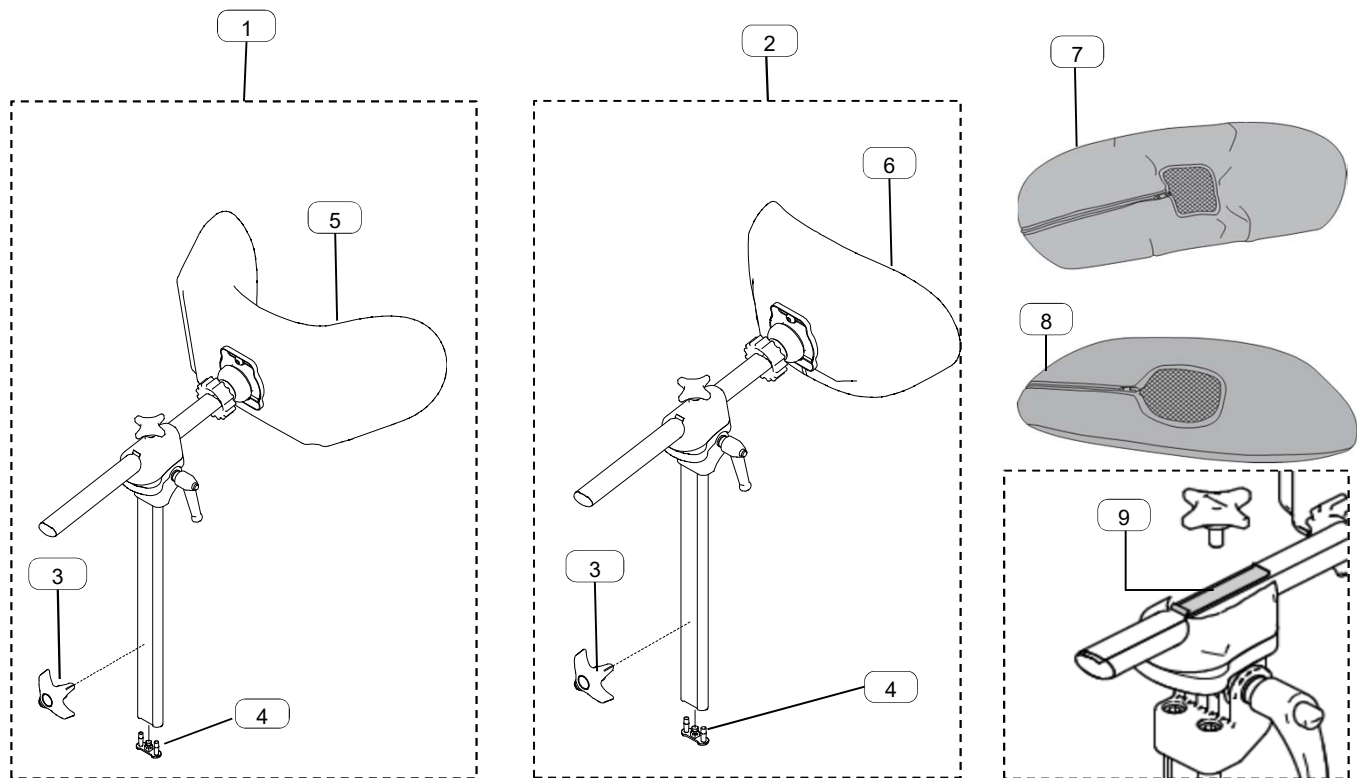
1) Mandatory when 24" drive wheel is used in the foremost position



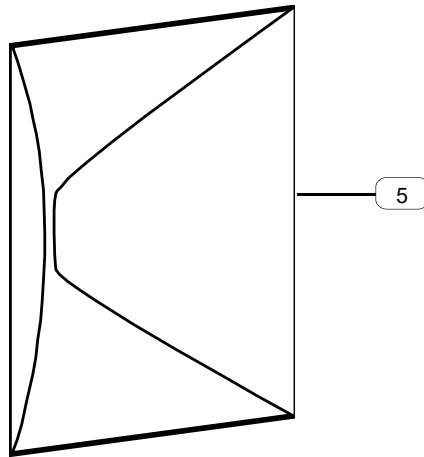
Pos	Ant/Qty	Art.No.	Description	EAN* 7070582	Note
1	1	3509009	Headrest mounting set		S
2A	1	3509010	Comfort headrest Trevira CS fabric		S
2B	1	3509011	Comfort headrest Vinyl fabric		S
3A	1	3509012	Advanced comfort headrest Trevira CS fabric		S
3B	1	3509013	Advanced comfort headrest Vinyl fabric		S
4A	1	3509014	Cover advanced comfort headrest Trevira CS fabric		S
4B	1	3509015	Cover advanced comfort headrest Vinyl fabric		S
5	1	3509026	Head rest velcro strap		S
5-6	1	3509027	Head rest Frame with straps		S
7	1	3505007	Headrest mounting bracket		S



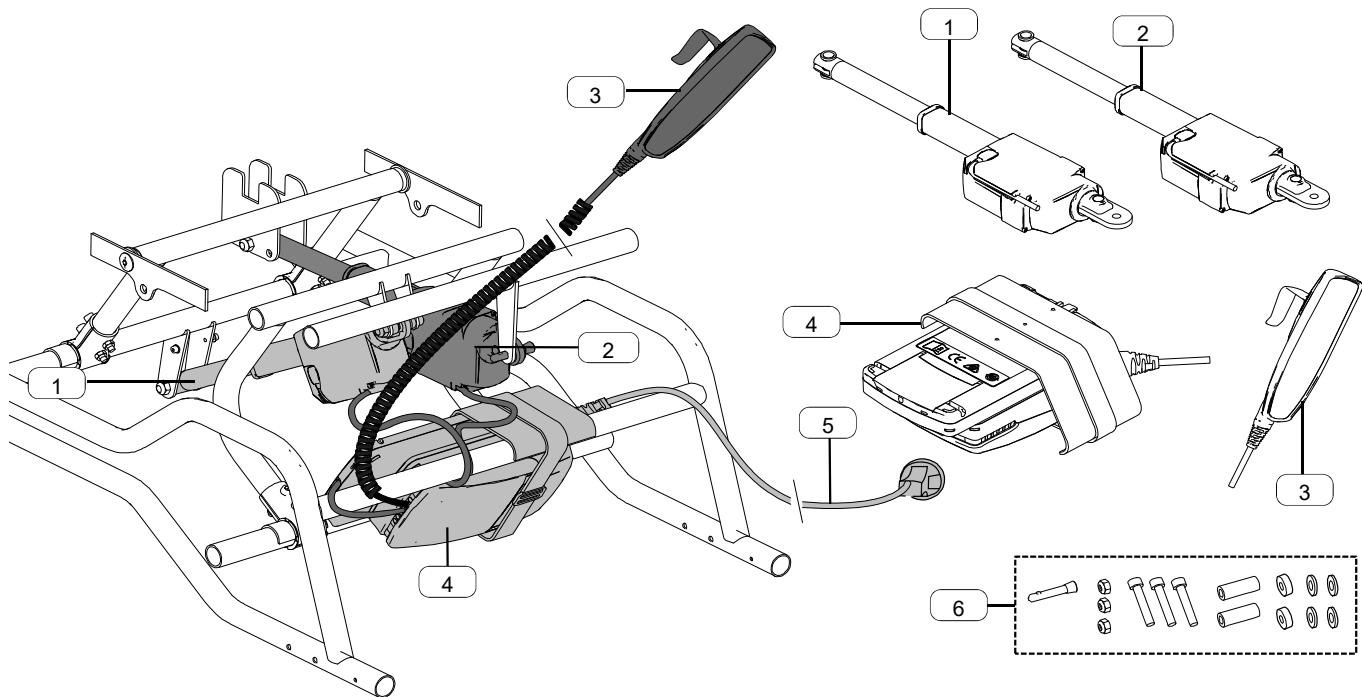
Pos	Ant/Qty	Art.No.	Description	EAN* 7070582	Note
1	1	3009200	Headrest Basic		S
2	1	3009205	Headrest Basic/Advanced pad		S
3	1	A241004	Locking wheel RS ø60 M8x12		S
4	1	A240020	Plastic plug		S
5	1	3009260	Headrest pad Basic		
6	1	3009261	Headrest pad Advanced		
7	1	3009220	Cover for headrest pad Basic		S
8	1	3009221	Cover for headrest pad Advanced		S



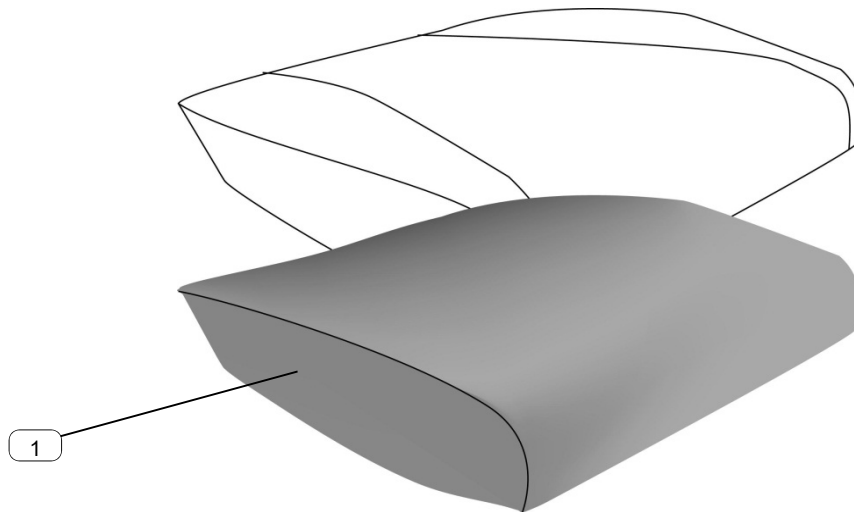
Pos	Ant/Qty	Art.No.	Description	EAN* 7070582	Note
1	1	3009210	Headrest Advanced		S
2	1	3009215	Headrest Advanced/Basic pad		S
3	1	A241004	Locking wheel RS ø60 M8x12		S
4	1	A240020	Plastic plug		S
5		3009261	Headrest pad Advanced		
6	1	3009260	Headrest pad Basic		
7	1	3009221	Cover for headrest pad Advanced		S
8	1	3009220	Cover for headrest pad Basic		S
9	1	3 009 250	Spring plate		S



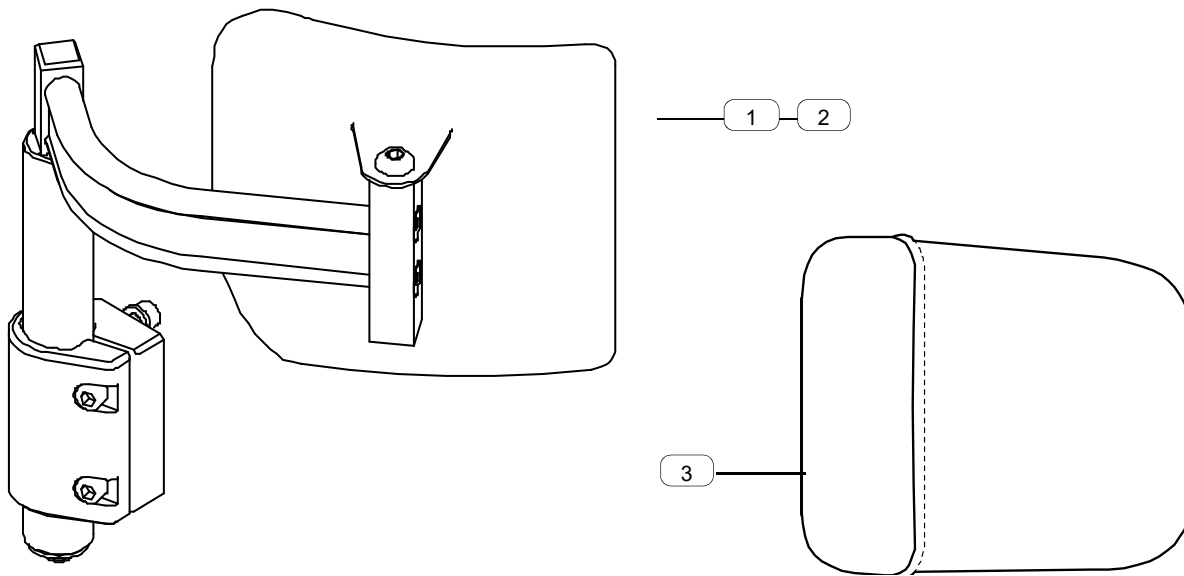
Pos	Ant/Qty	Art.No.	Description	EAN* 7070582	Note
1	1	3505003	Abutment pad - set of 2		S



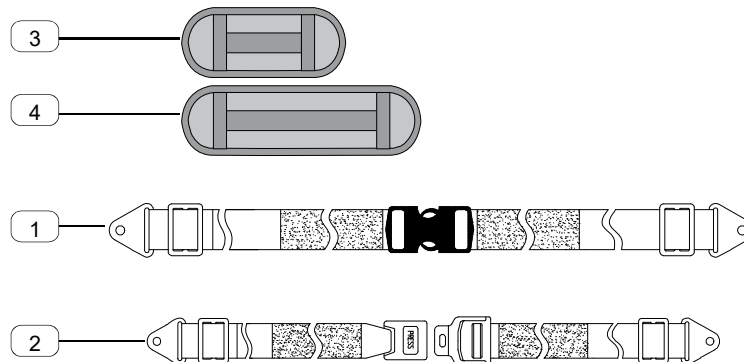
Pos	Ant/Qty	Art.No.	Description	EAN* 7070582	Note
1-6	1	3519505	Powered seat and back tilt complete		S
1, 3-6	1	3519501	Powered seat tilt complete		S
2-6	1	3519500	Powered back tilt complete		S
1	1	3519502	Actuator LA23 Linak Tilt		S
2	1	3519503	Actuator LA23 Linak Back		S
3	1	3519506	Handcontrol 4 buttons - Tilt/Back		S
4	1	3519504	Control unit Cirrus incl battery		S
5	1	3519507	Power cable		S
6			Bracket screws and other fasteners included in package		



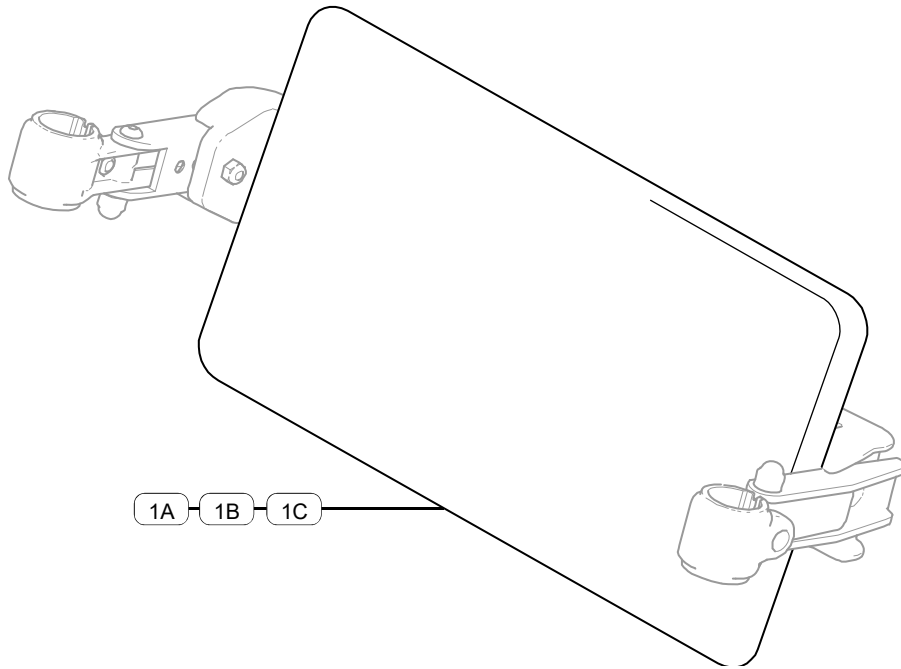
Pos	Ant/Qty	Art.No.	Description	EAN* 7070582	Note
1	1	3509017	Incontinence cover SW 39		S
1	1	3509018	Incontinence cover SW42		S
1	1	3509019	Incontinence cover SW45		S
1	1	3509020	Incontinence cover SW48		S
1	1	3509021	Incontinence cover SW51		S
1	1	3509022	Incontinence cover SW54		S



Pos	Ant/Qty	Art.No.	Description	EAN* 7070582	Note
1	1	3409250	Side support RHS		S
2	1	3409251	Side support LHS		S
3	1	CX310010	Upholstery for small side support		S

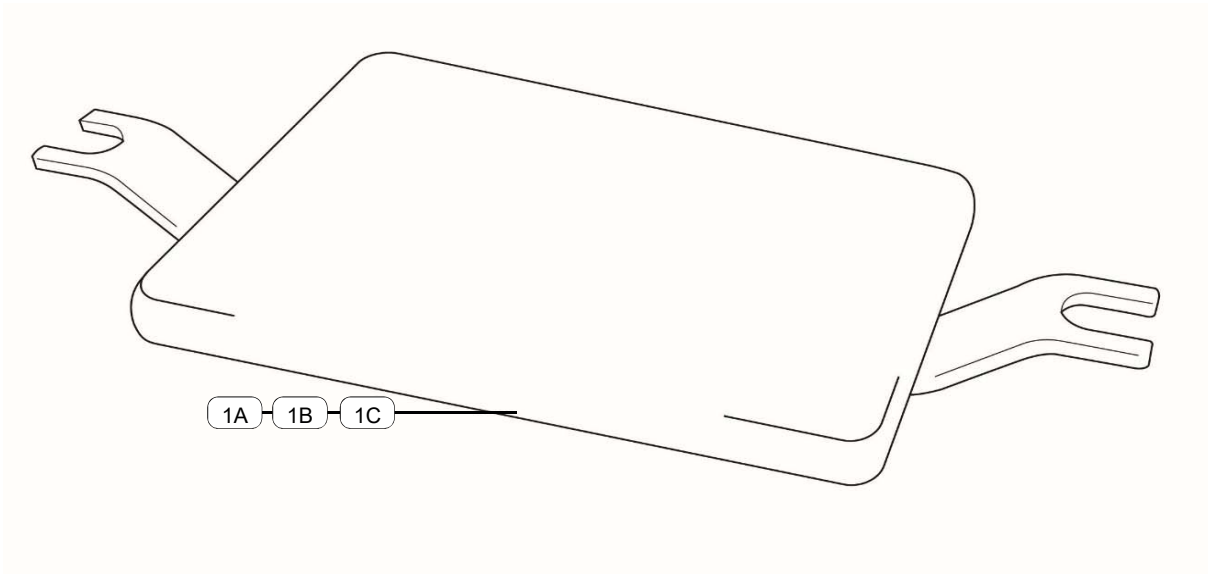


Pos	Ant/Qty	Art.No.	Description	EAN* 7070582	Note
1	1	3009910	Positioning-belt w/ plastic buckle		S
2	1	3009911	Positioning-belt w/ steel buckle		S
3	2	3009915	Padding for belt small, set		S
4	2	3009916	Padding for belt large, set		S

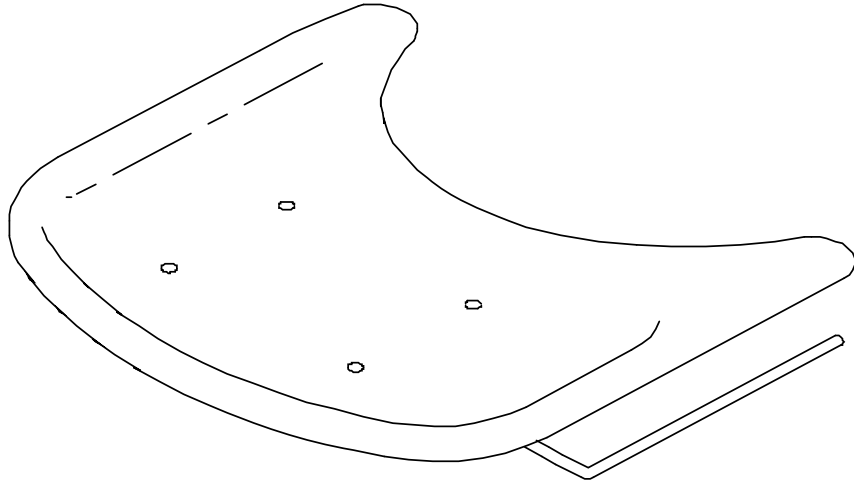


1A 1B 1C

Pos	Ant/Qty	Art.No.	Description	EAN* 7070582	Note
1A	1	3509030	Calf rest (not split), medium SW 45-48		S
1B	1	3509007	Calf rest (not split), small SW 39-42		S
1C	1	3509008	Calf rest (not split), large SW 51-54		S

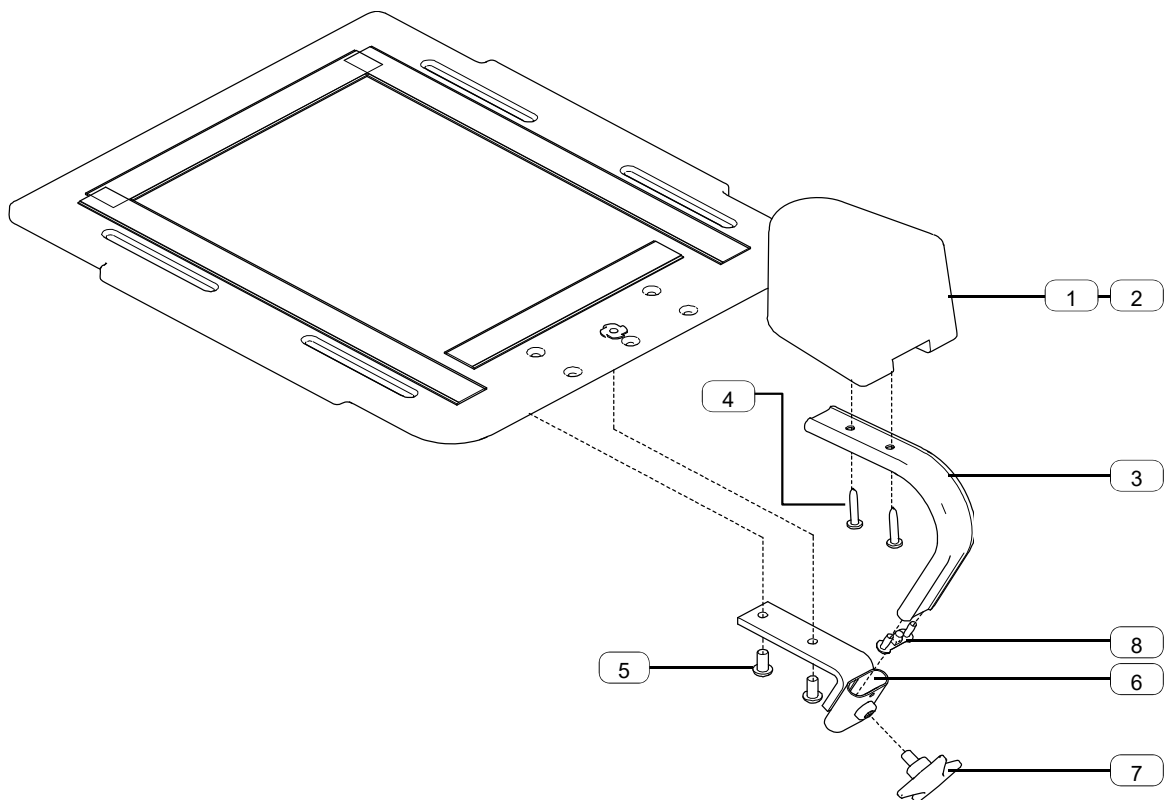


Pos	Ant/Qty	Art.No.	Description	EAN* 7070582	Note
1A	1	3509031	Cushion for footrest small SW 39-42		S
1B	1	3509023	Cushion for footrest std SW 45-48		S
1C	1	3509024	Cushion for footrest wide SW 51-54		S



Pos	Ant/Qty	Art.No.	Description	EAN* 7070582	Note
1	1*	3019100	Table complete		S

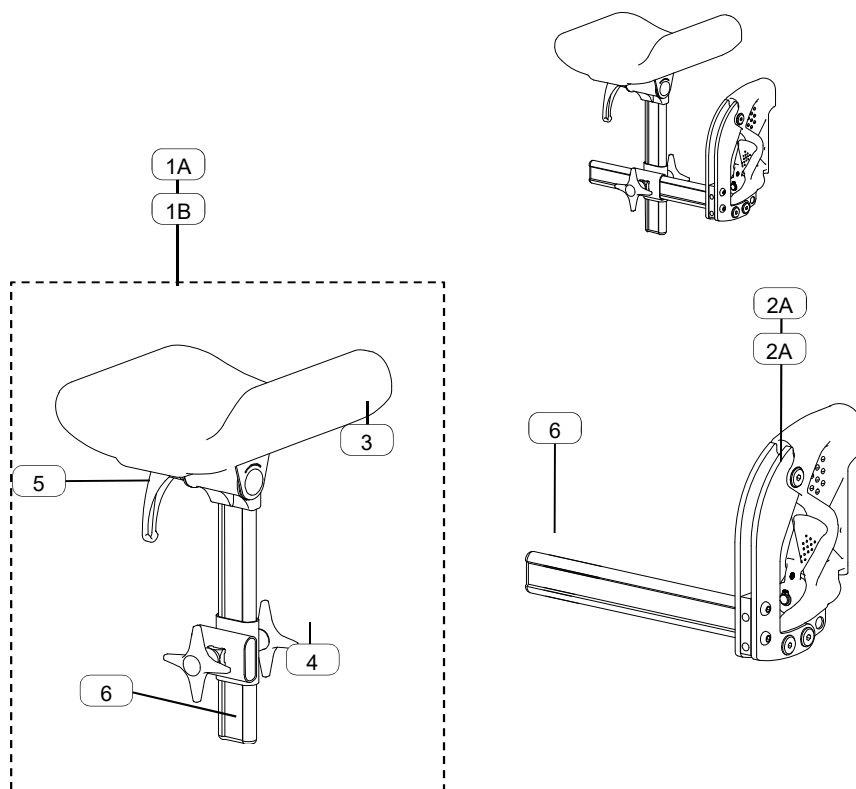
Note: * For SB39 - SB54



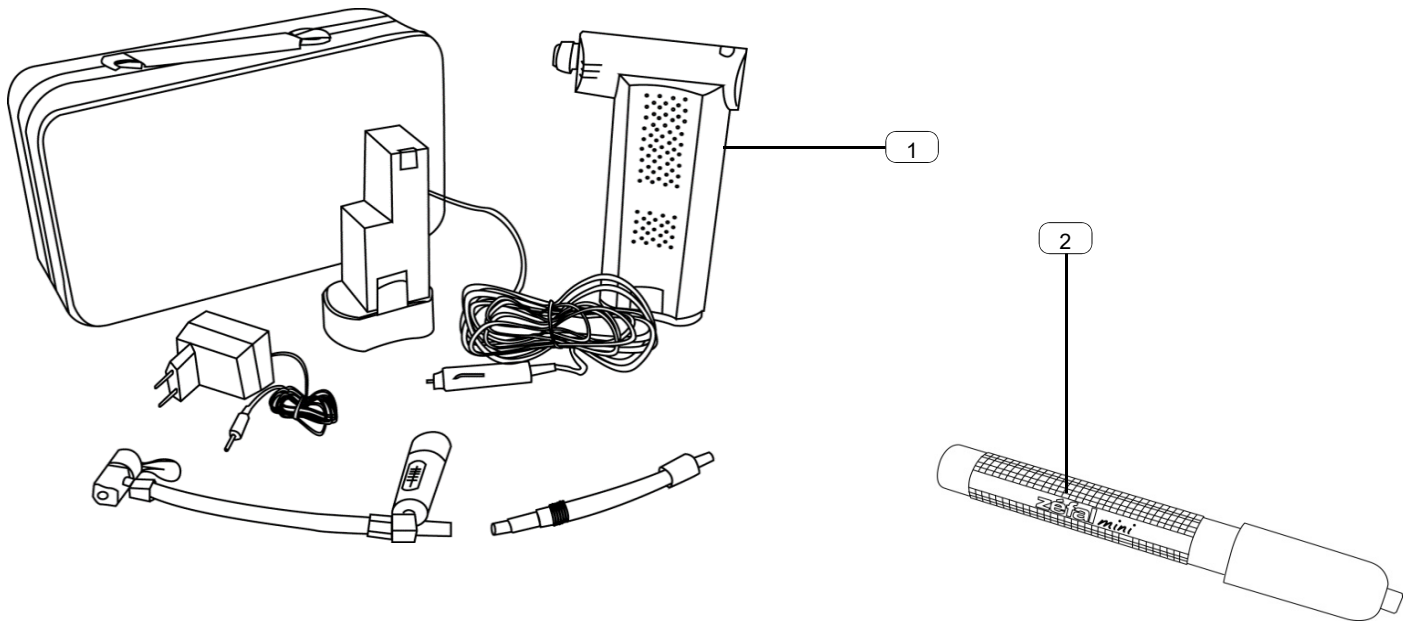
Pos	Ant/Qty	Art.No.	Description	EAN* 7070582	Note
1,3-8	1	3409400	Abduction pommel, small		S
2-8	1	3409402	Abduction pommel, large		S
1	1	111255	Cushion abduction pommel, small		
2	1	X441075	Cushion, abd.pommel, large, Trevira CS		
3	1	X400003	Alu-profile long, abd.pommel		
4	2	X300009	Panh. tapping screw 5,5x32 poz/elz		DIN7981
5	2	CA710015	Socket screw M6x20 Cyl. Elz.		DIN912
6	1	3409410	Fixation bracket abduction pommel		
7	1	A241004	Locking wheel RS ø60 M8x12		S
8	1	A240020	Plastic plug		S



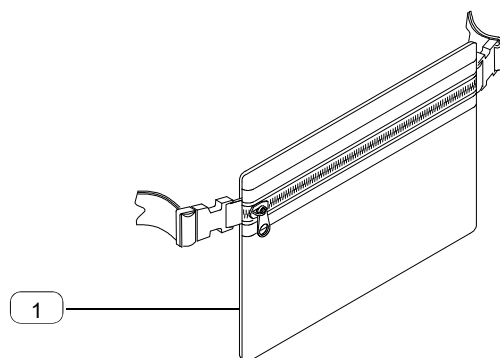
Pos	Ant/Qty	Art.No.	Description	EAN* 7070582	Note
1A	1	3508201	One hand brake RS		S
1B	1	3508202	One hand brake LS		S



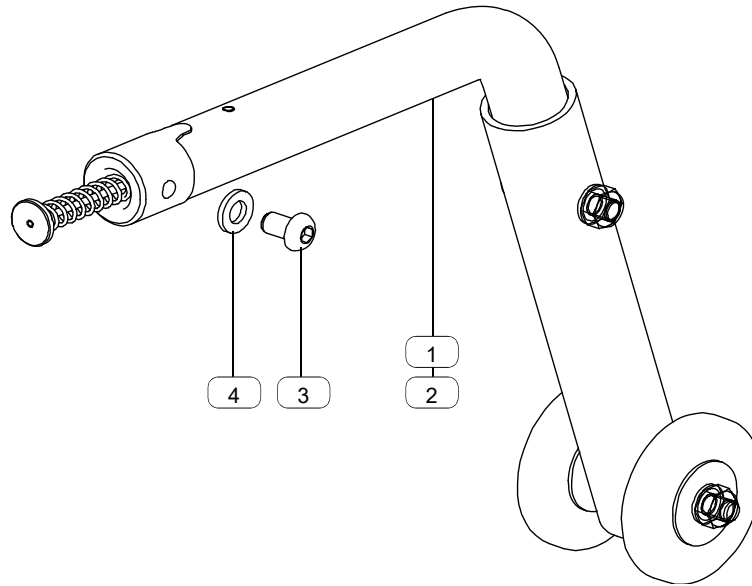
Pos	Ant/Qty	Art.No.	Description	EAN* 7070582	Note
1A,2A	1	3003640	Amputation Support advanced RHS		S
1B,2B	1	3003641	Amputation Support advanced LHS		S
1A	1	3003644	Pad complete for amputee support RHS		
1B	1	3003645	Pad complete for amputee support LHS		
2A	1	3003646	Hanger amputation supprt RHS		
2B	1	3003647	Hanger amputation supprt LHS		
3	1	110534	Calf pad, wide, black		S
4	2	A241004	Locking wheel RS ø60 M8x12		S
5	1	96022	Lock handle		S
6	1	A240020	Plastic plug		S



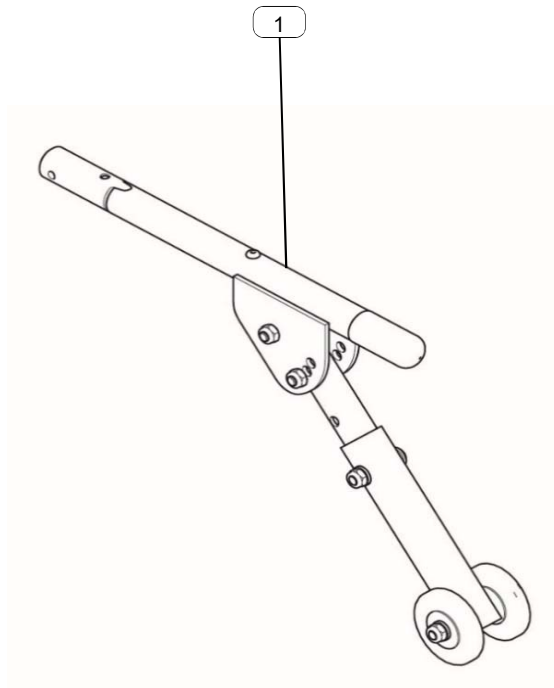
Pos	Ant/Qty	Art.No.	Description	EAN* 7070582	Note
1	1	3007900	Electric inflator		S
2	1	3007905	Hand pump		S



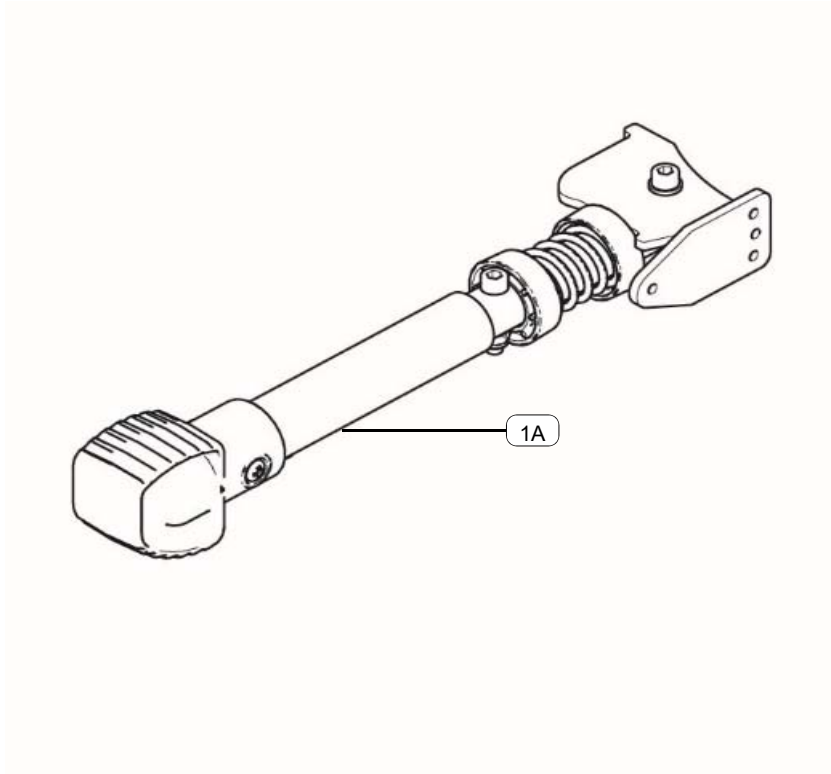
Pos	Ant/Qty	Art.No.	Description	EAN* 7070582	Note
1	1	58308	Front pouch bag Dracon		S



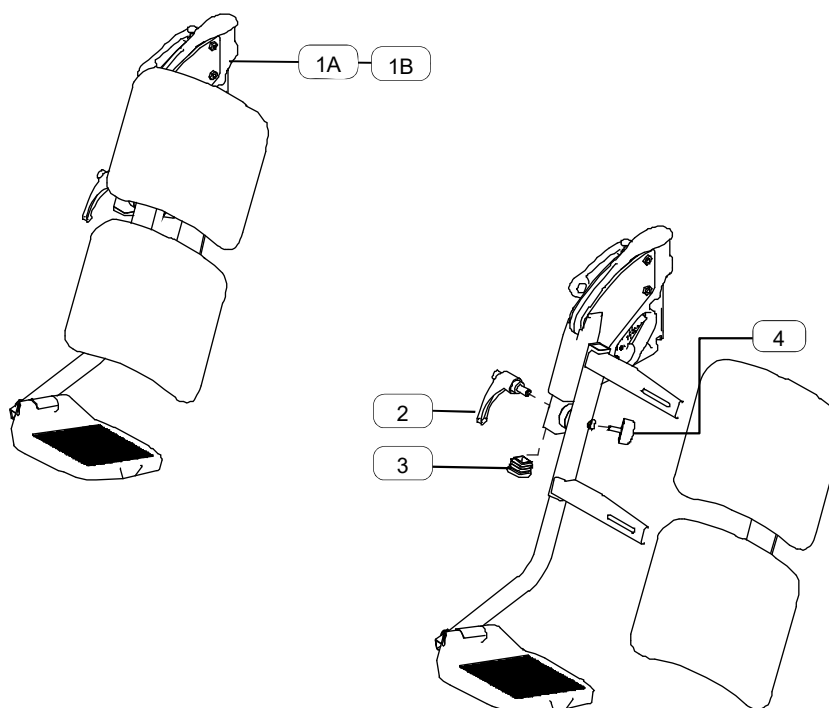
Pos	Ant/Qty	Art.No.	Description	EAN* 7070582	Note
1,3,4	1	3009330	Anti-tip, short		S
2-4	1 ¹⁾	3009335	Anti-tip, long		S
			Fastener		
3	1	97168	Socket screw M6x10 Lens Elz		ISO7380
4	1	A230006	Washer Ø6 Elz.		DIN125



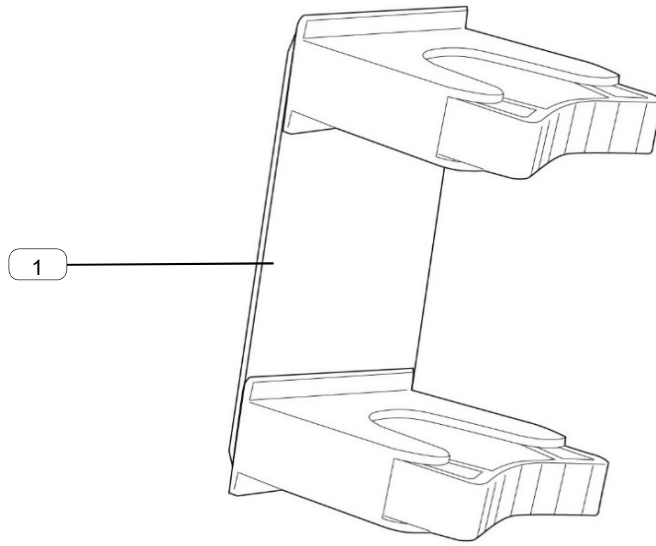
Pos	Ant/Qty	Art.No.	Description	EAN* 7070582	Note
1	1	3009370	Anti-tip angle- and hight adjustable w/step tip		S



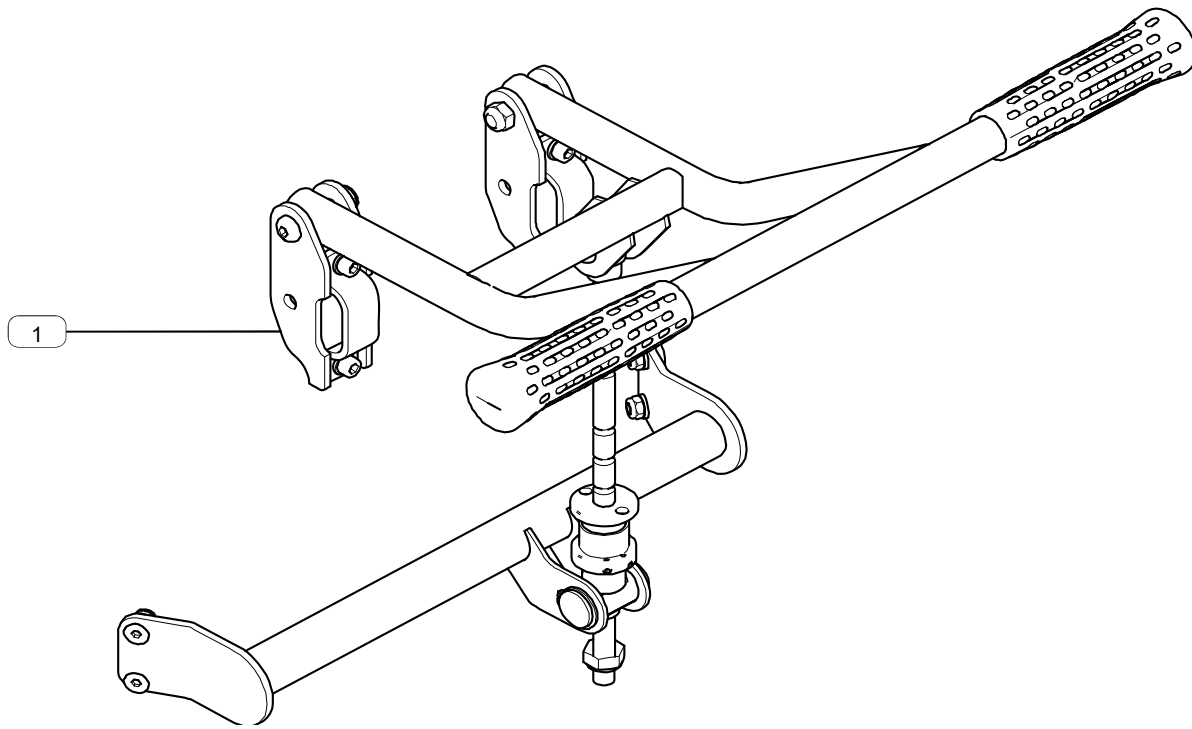
Pos	Ant/Qty	Art.No.	Description	EAN* 7070582	Note
1	1	3509001	Anti-tip with step RHS=LHS		



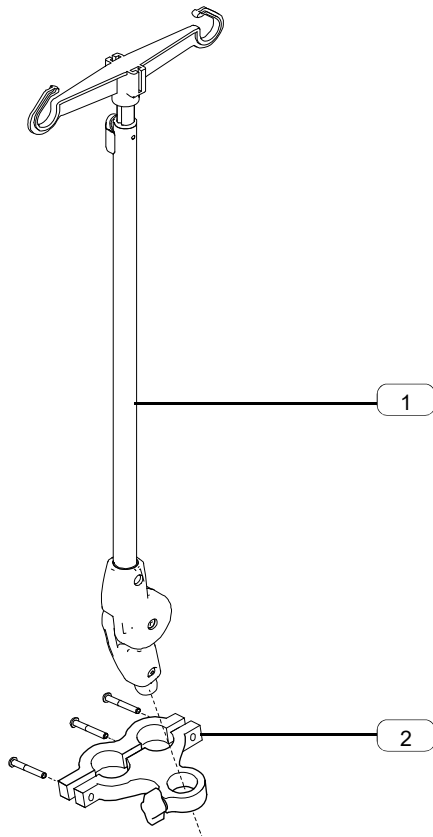
Pos	Ant/Qty	Art.No.	Description	EAN* 7070582	Note
1A	1	3013920	Plaster cast support RHS		S
1B	1	3013921	Plaster cast support LHS		S
2	1	X120006	Locking handle		S
3	1	A400014	Plastic plug 22/22		S
4	2	A520005	Wing screw		S



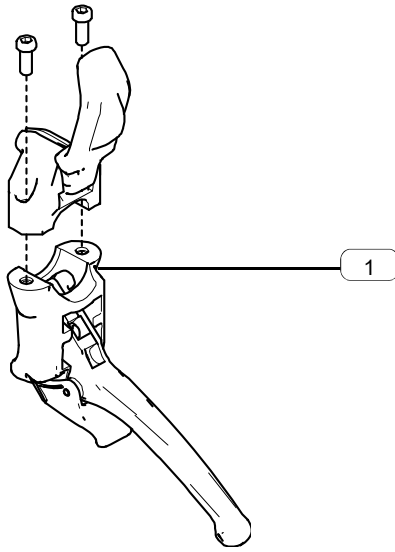
Pos	Ant/Qty	Art.No.	Description	EAN* 7070582	Note
1	1	3509002	Crutch holder set		S



Pos	Ant/Qty	Art.No.	Description	EAN* 7070582	Note
1	1	3535039	Push bar angle adjustable SW39		S
1	1	3535042	Push bar angle adjustable SW42		S
1	1	3535045	Push bar angle adjustable SW45		S
1	1	3535048	Push bar angle adjustable SW48		S
1	1	3535051	Push bar angle adjustable SW51		S
1	1	3535052	Push bar angle adjustable SW54		S



Pos	Ant/Qty	Art.No.	Description	EAN* 7070582	Note
1	1	7109100	Infusionholder		S
2	1	3509115	Infusion holder bracket		S



Pos	Ant/Qty	Art.No.	Description	EAN* 7070582	Note
1	1	3509992	Brake and tilt handle - set		S

AU
Sunrise Medical Pty. Ltd.
6 Healey Circuit, Huntingwood
NSW 2148
Australia
T: +61 (2) 9678 6600
E: enquiries@sunrisemedical.com.au
www.SunriseMedical.com.au

BE
Sunrise Medical HCM B.V.
Vossenbeemd 104
5705 CL Helmond
The Netherlands
T: +32 (0)78 150 159
E: customerservice@sunrisemedical.be
www.SunriseMedical.be

CA
Distributed in Canada by:
Sunrise Medical Canada Inc.
237 Romina Drive, Unit 3
Concord, ON
L4K 4V3, Canada
T: +1 800 263 3390
E: mktcanada@sunmed.com
www.SunriseMedical.ca

CH
Sunrise Medical AG
Lückhalde 14
3074 Muri/Bern
Schweiz/Suisse/Svizzera
T: +41 (0)31 958 3838
E: info@sunrisemedical.ch
www.SunriseMedical.ch

DE / AT
Sunrise Medical GmbH & Co. KG
Kahlbachring 2-4
69254 Malsch/Heidelberg
Deutschland
T: +49 (0) 7253/980-0
E: kundenservice@sunrisemedical.de
www.SunriseMedical.de

DK
Sunrise Medical ApS
Park Allé 289 G
DK-2605 Brøndby
T: +45 70 22 43 49
Email: info@sunrisemedical.dk
www.SunriseMedical.dk

ES / PT
Sunrise Medical S.L.
Polígono Bakiola, 41
48498 Arrankudiaga – Vizcaya
España
T: +34 (0) 902142434
E: marketing@sunrisemedical.es
www.SunriseMedical.es

FR
Sunrise Medical S.A.S
ZAC de la Vrillonnerie
17 Rue Mickaël Faraday
37170 Chambray-Lès-Tours
T: + 33 (0) 2 47 55 44 00
E: info@sunrisemedical.fr
www.SunriseMedical.fr

IT
Sunrise Medical S.r.l.
Via Riva, 20 – Montale
29122 Piacenza
Italia
T: +39 0523 573111
E: info@sunrisemedical.it
www.SunriseMedical.it



NL
Sunrise Medical HCM B.V.
Vossenbeemd 104
5705 CL Helmond
The Netherlands
T: +31 (0)492 593 888
E: customerservice@sunrisemedical.nl
www.SunriseMedical.nl
www.SunriseMedical.eu (International)

NO
Sunrise Medical AS
Delitoppen 3
1540 Vestby
Norway
T: +47 66963800
E: post@sunrisemedical.no
www.SunriseMedical.no

PL
Sunrise Medical Poland Sp. z o.o.
ul. Elektronowa 6,
94-103 Łódź
Polska
T: + 48 42 275 83 38
E: pl@sunrisemedical.de
www.Sunrise-Medical.pl

SE
Sunrise Medical AB
Box 9232
400 95 Göteborg
Sweden
T: +46 (0)31 748 37 00
E: post@sunrisemedical.se
www.SunriseMedical.se

UK
Sunrise Medical
Thorns Road
Brierley Hill
West Midlands
DY5 2LD
United Kingdom
T: +44 (0) 845 605 66 88
E: enquiries@sunmed.co.uk
www.SunriseMedical.co.uk

Dealer / distributor:

Serial number:



PM_Cirrus G5_EU_NO_EN_Rev.C_2017_02_16

