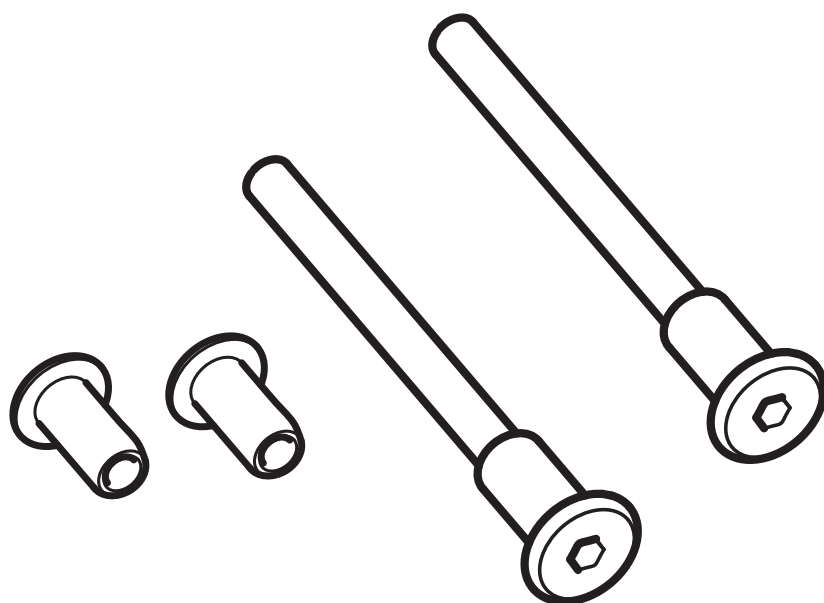


ASSEMBLY INSTRUCTION

Service kit lower cross brace fixation



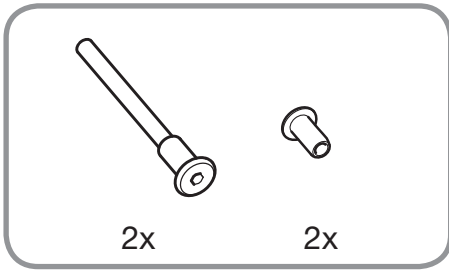
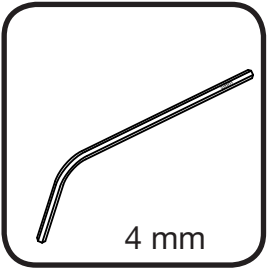
Description

Service kit lower cross brace fixation for Gemino all models
For Gemino with serial numbers before HG-R... produced before January 2013

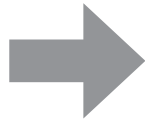
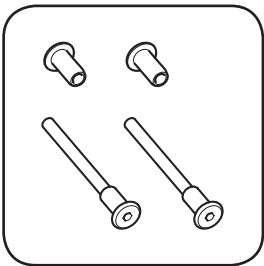
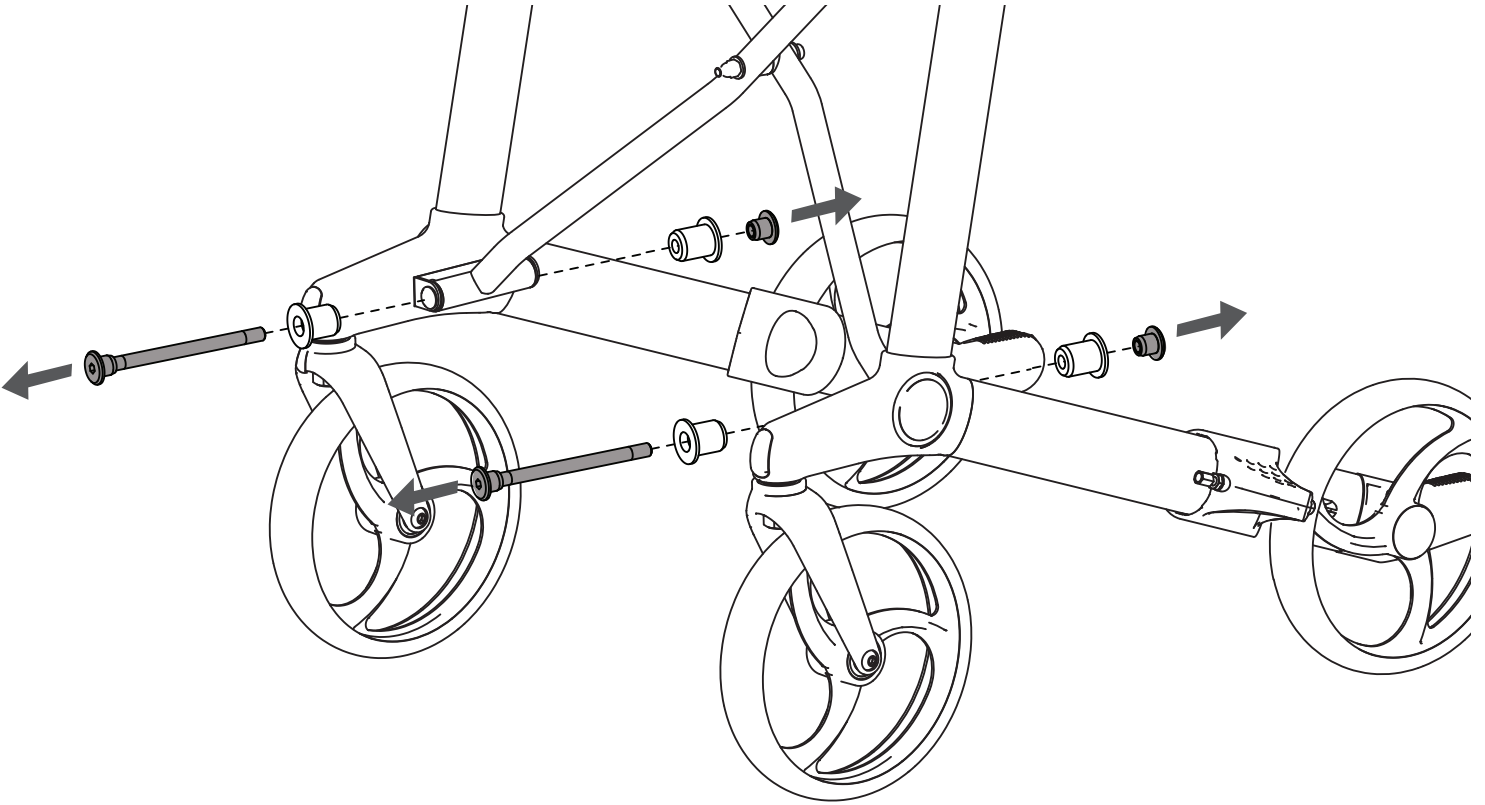
Article number

7102950

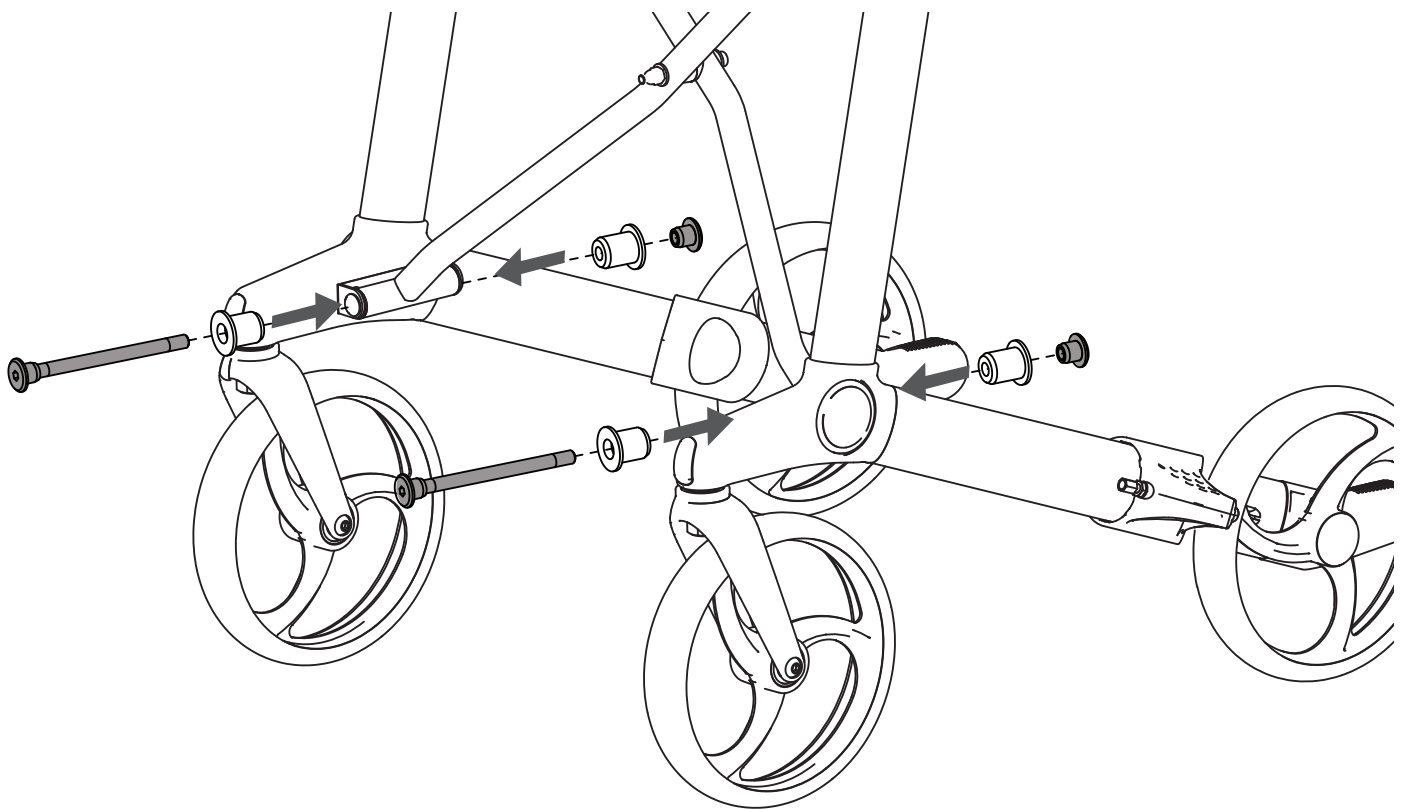
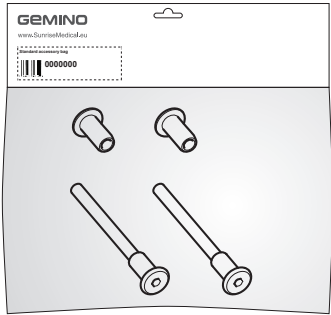
GEMINO



1



2





Sunrise Medical HCM B.V.
Vossenbeemd 104
5705 CL Helmond
The Netherlands

T: +31 (0)492 593 888
customerservice@sunrisemedical.nl
www.SunriseMedical.eu