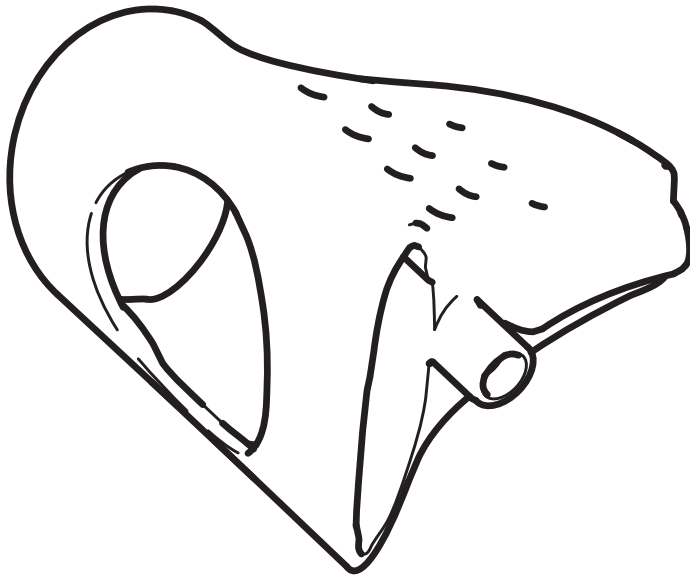


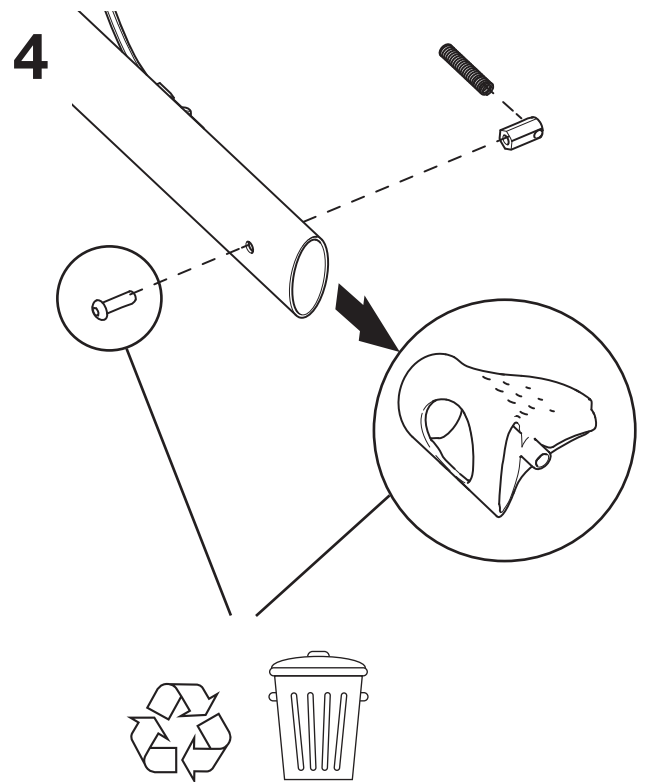
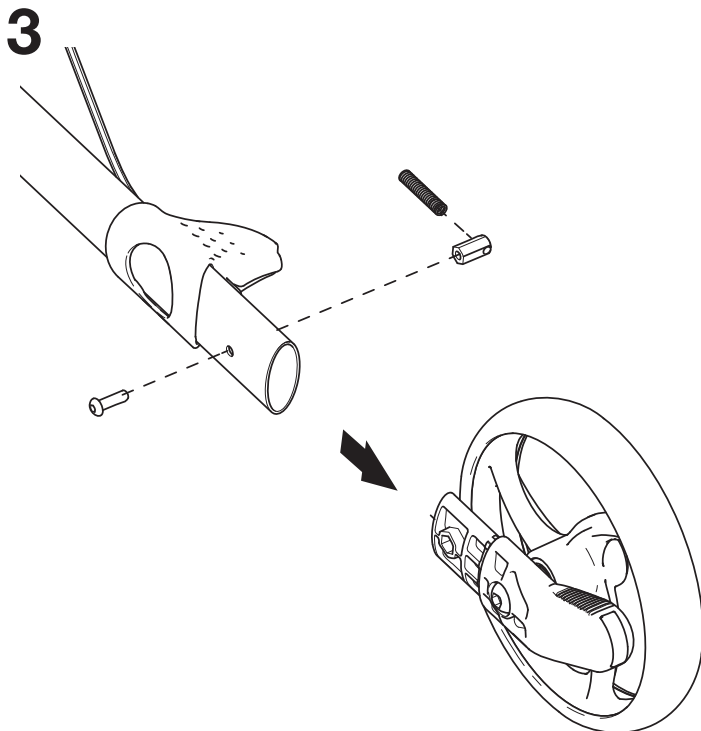
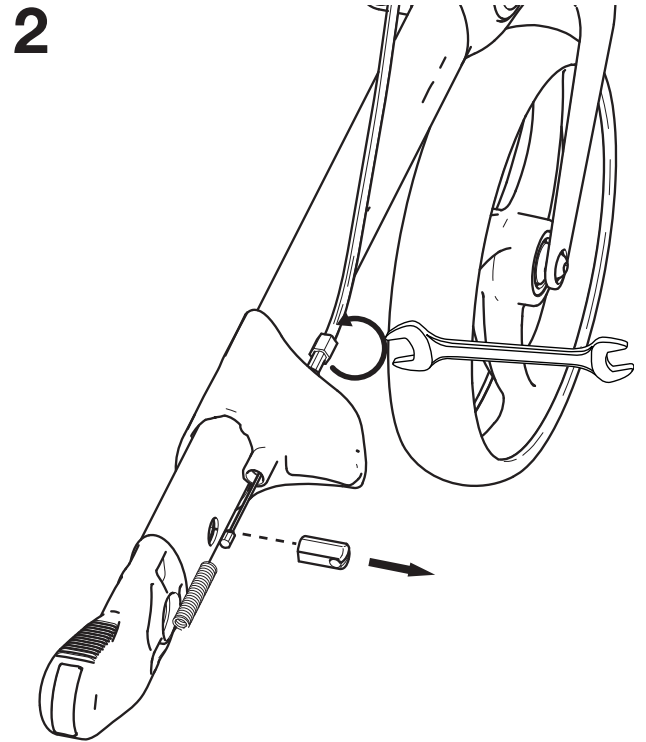
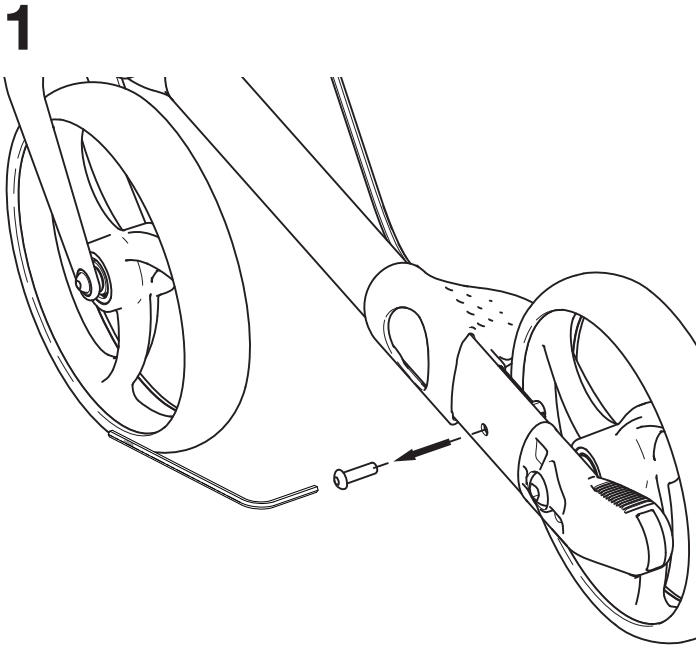
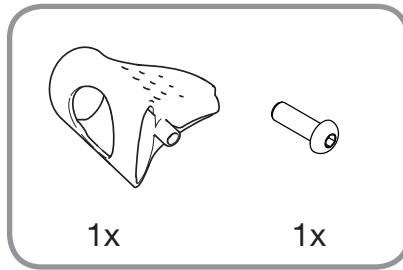
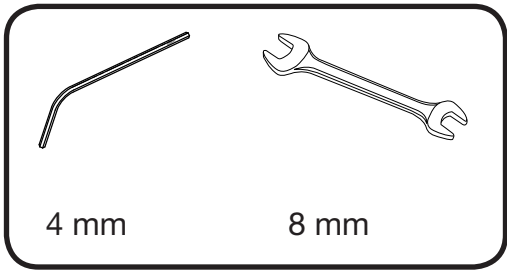
## ASSEMBLY INSTRUCTION

# Brake block

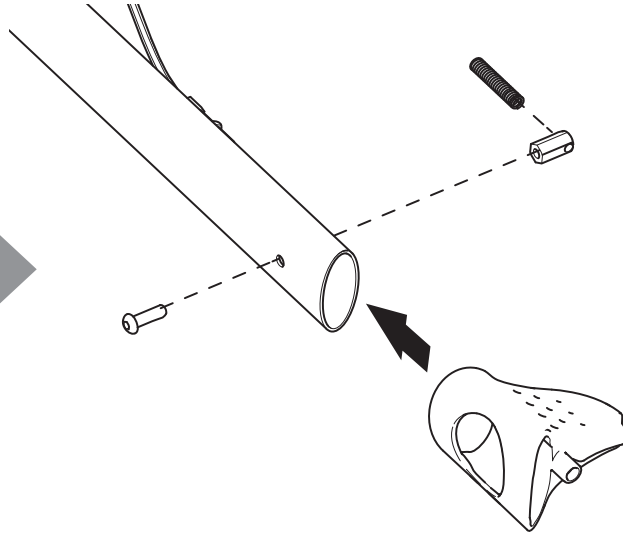


Description	Article number
Brake block RHS, all Gemino 30/30M/30S, Gemino 20/20M/20S models, except Gemino 30/30M Comfort models	<input type="checkbox"/> 7108221
Brake block LHS, all Gemino 30/30M/30S, Gemino 20/20M/20S models except Gemino 30/30M Comfort models	<input type="checkbox"/> 7108222

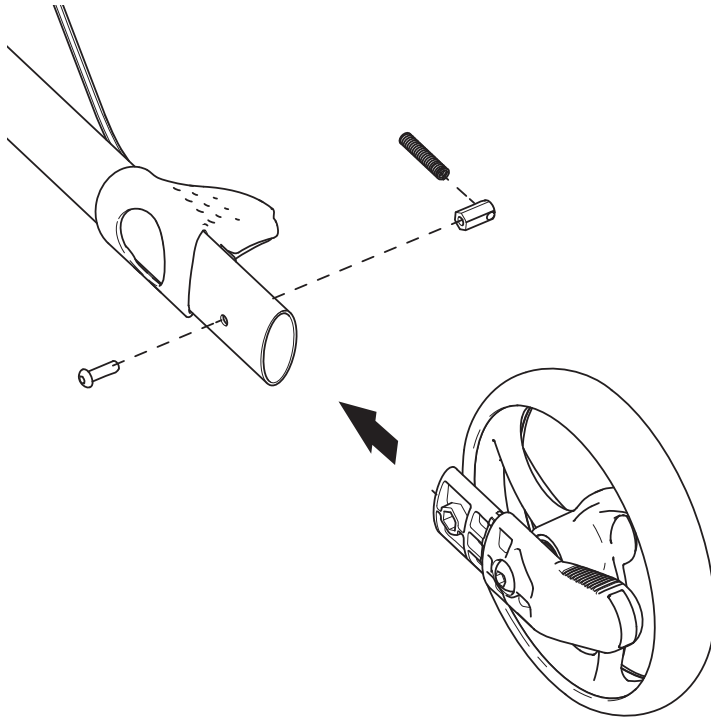
# GEMINO



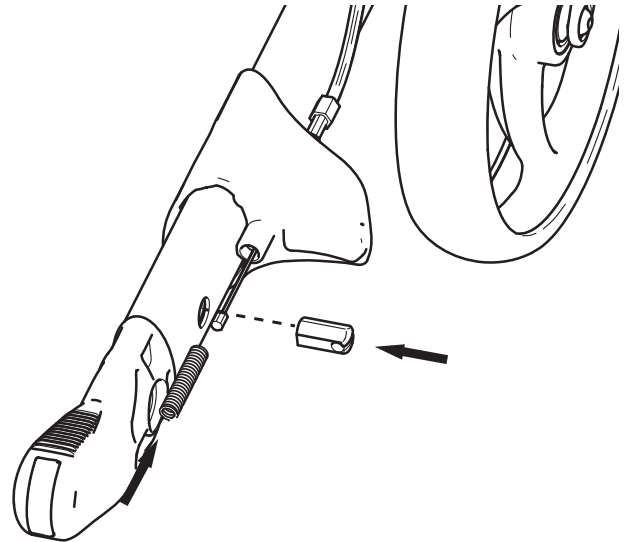
5

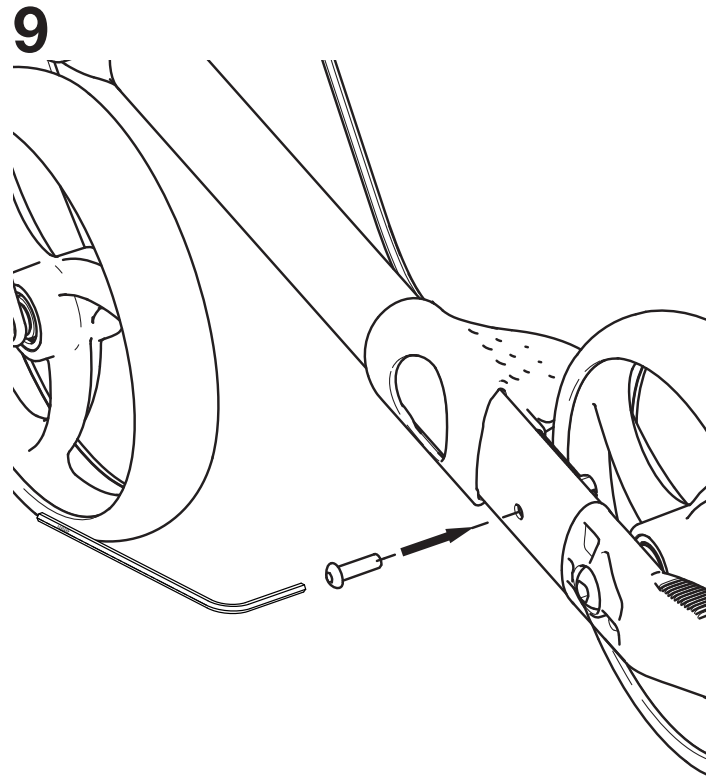
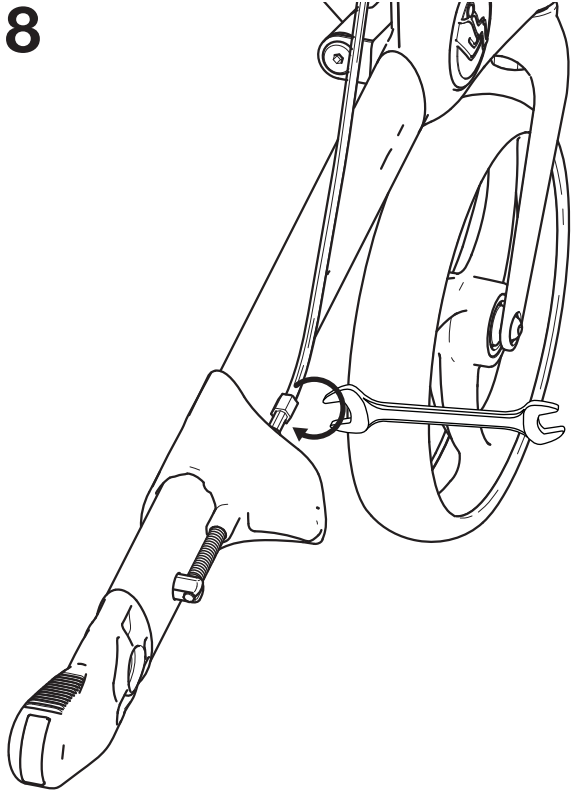


6

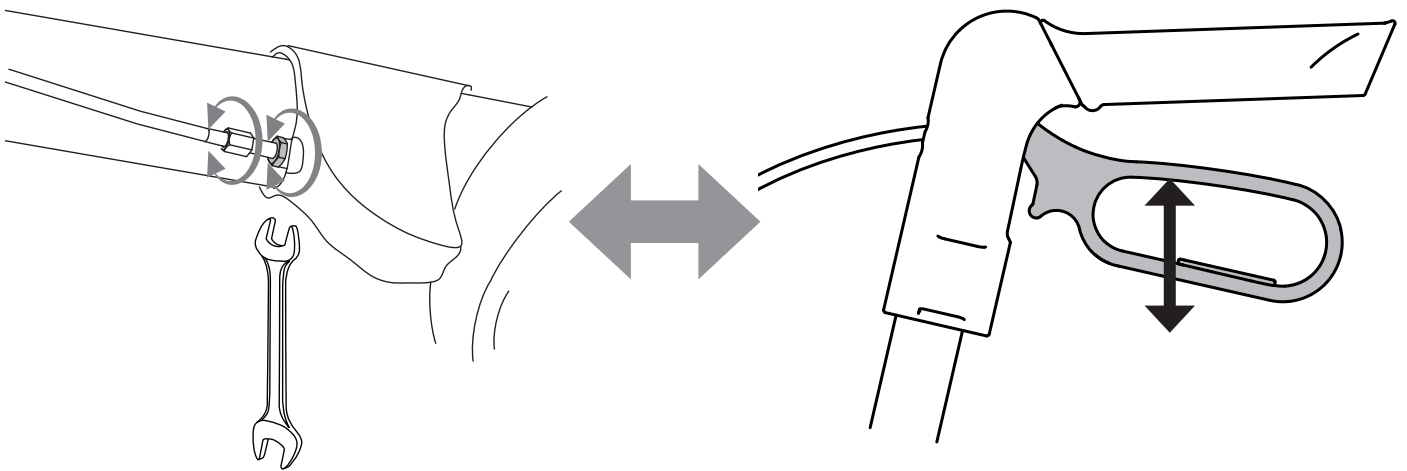


7





**10**



Sunrise Medical HCM B.V.  
Vossenbeemd 104  
5705 CL Helmond  
The Netherlands

T: +31 (0)492 593 888  
customerservice@sunrisemedical.nl  
www.SunriseMedical.eu