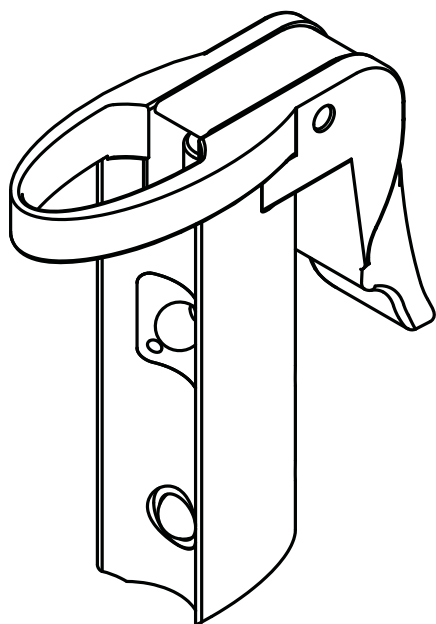


ASSEMBLY INSTRUCTION

Lock unit for push handles



Description

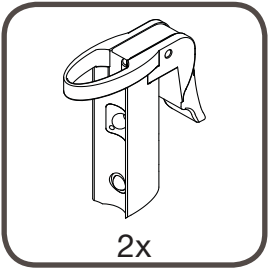
Lock unit for push handles, Gemino all models

Article number

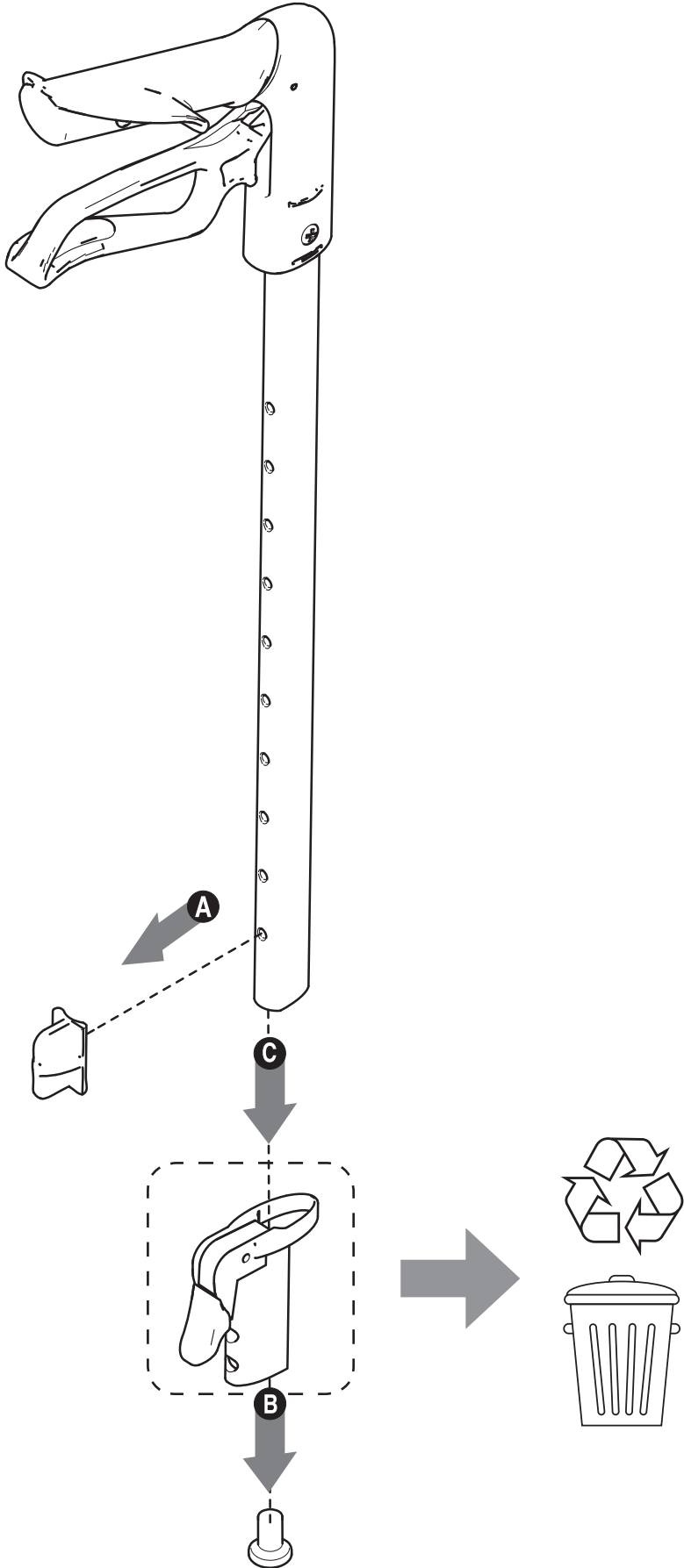


7105010

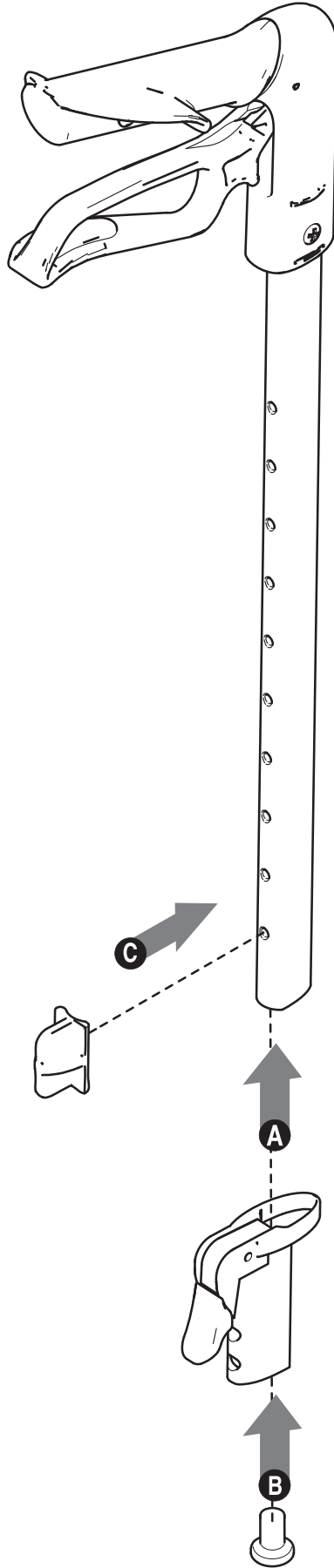
GEMINO



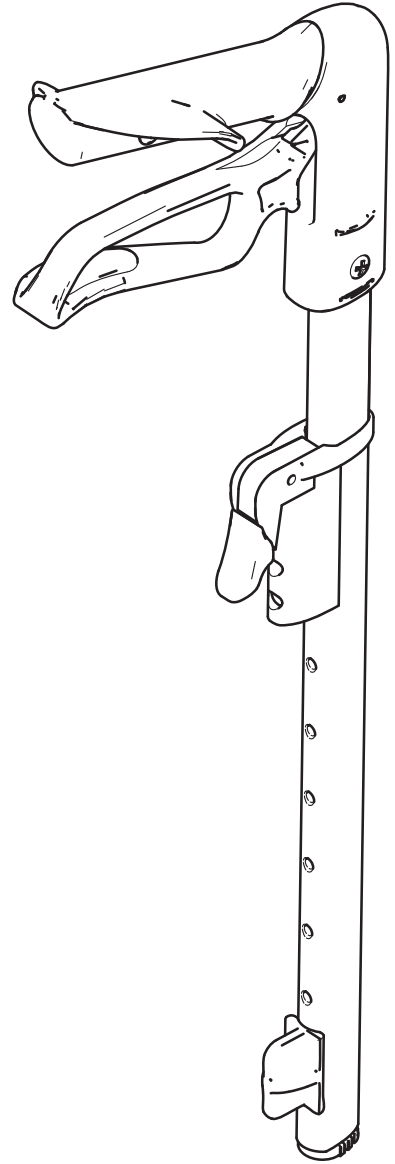
1



2



3





Sunrise Medical HCM B.V.
Vossenbeemd 104
5705 CL Helmond
The Netherlands

T: +31 (0)492 593 888
customerservice@sunrisemedical.nl
www.SunriseMedical.eu