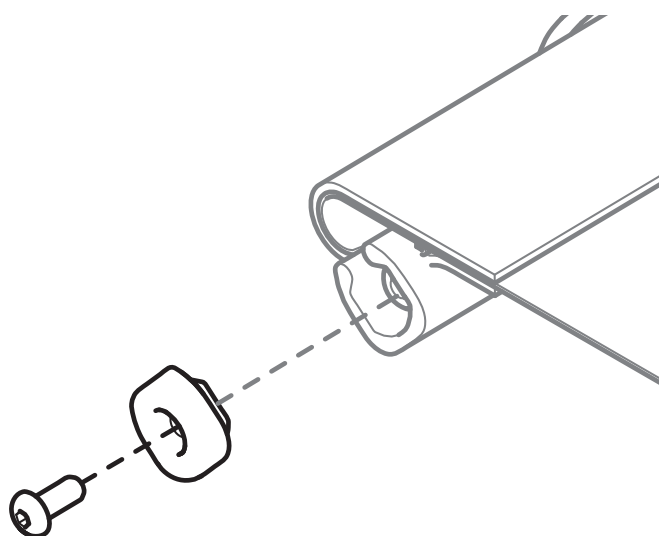


ASSEMBLY INSTRUCTION

Stopper with screw for cross brace



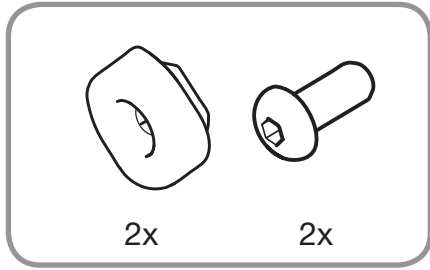
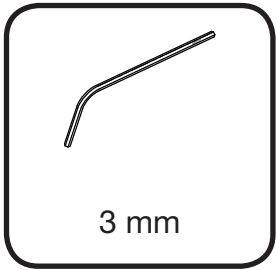
Description

Stopper with screw for cross brace, set, Gemino all models

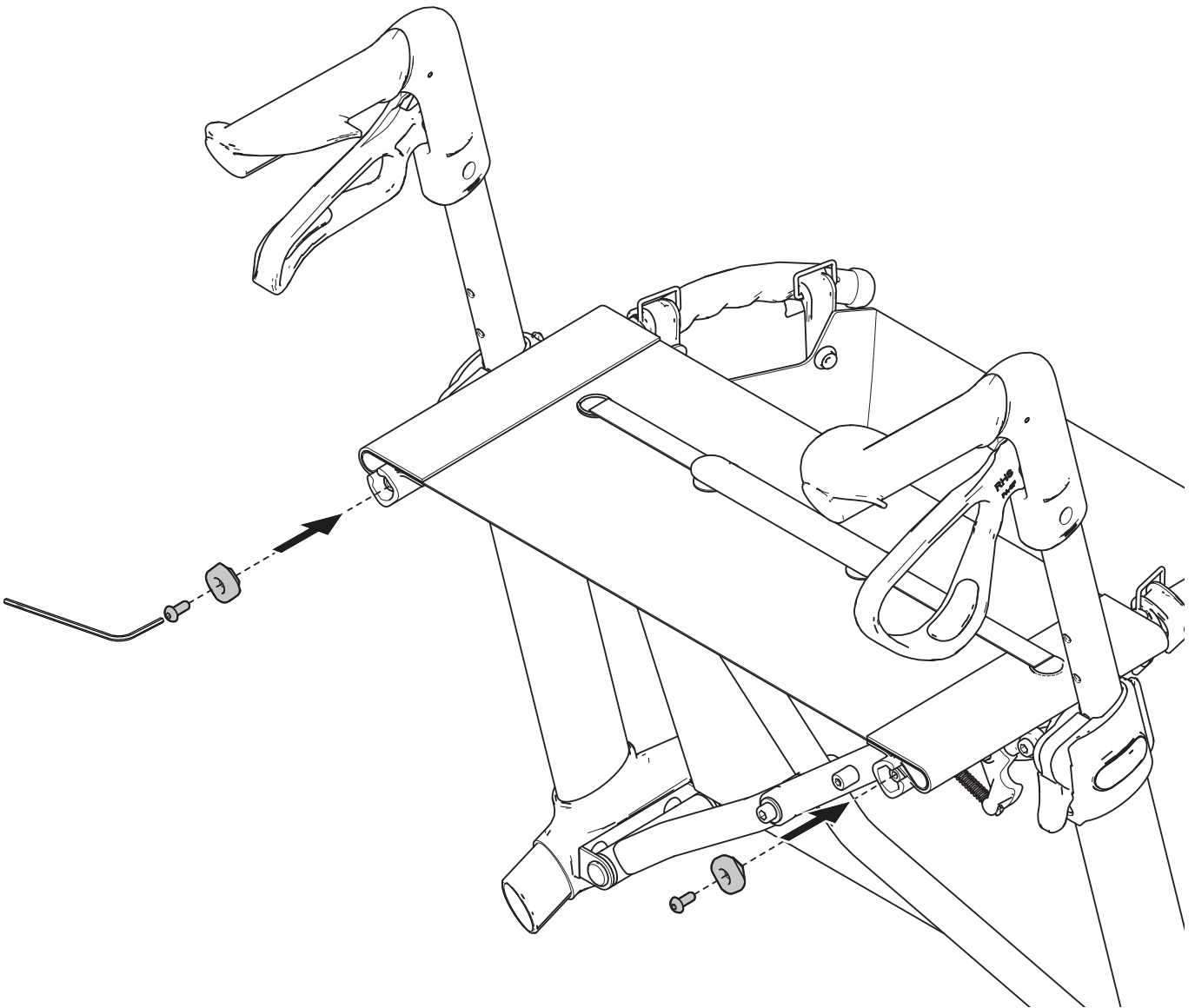
Article number

7104250

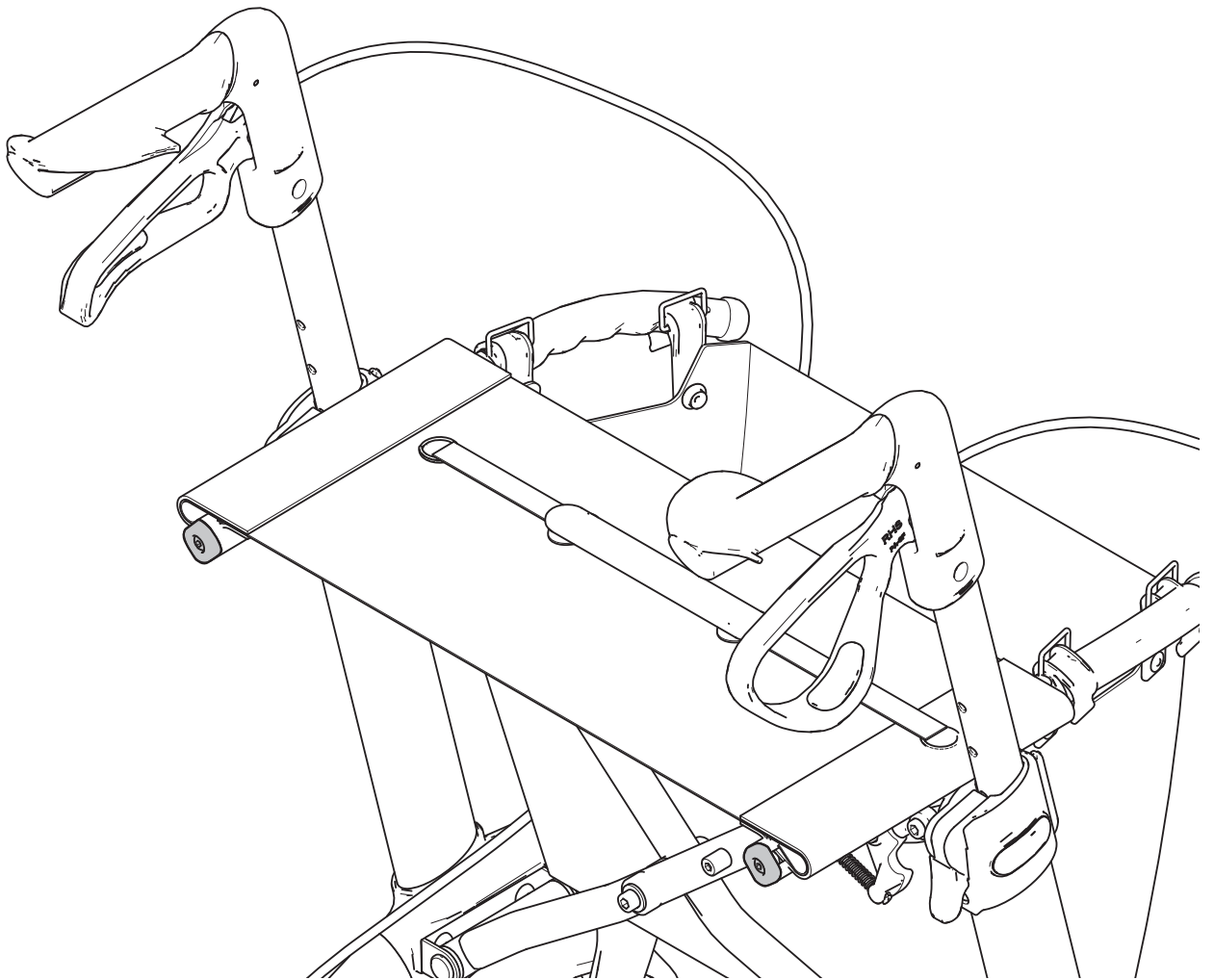
GEMINO



1



2





Sunrise Medical HCM B.V.
Vossenbeemd 104
5705 CL Helmond
The Netherlands

T: +31 (0)492 593 888
customerservice@sunrisemedical.nl
www.SunriseMedical.eu