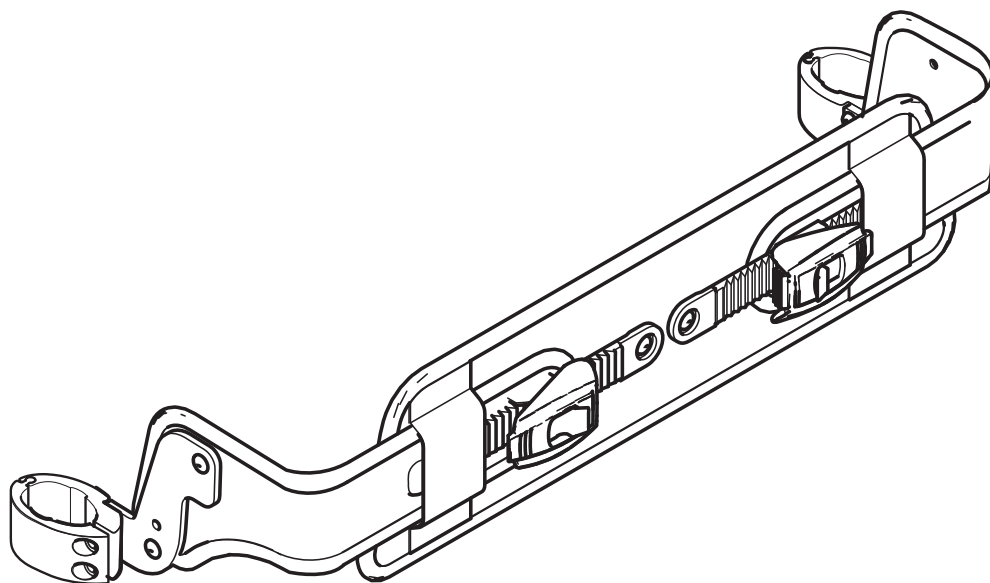


ASSEMBLY INSTRUCTION

Comfort back support - adjustable



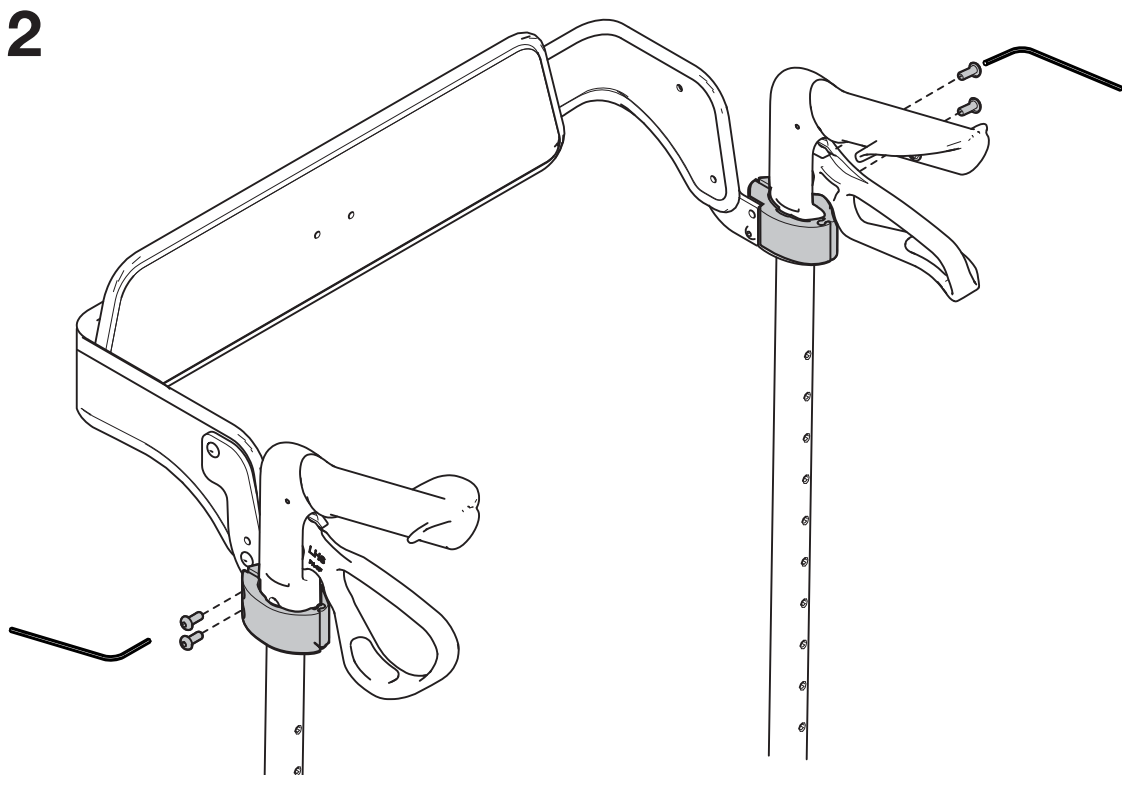
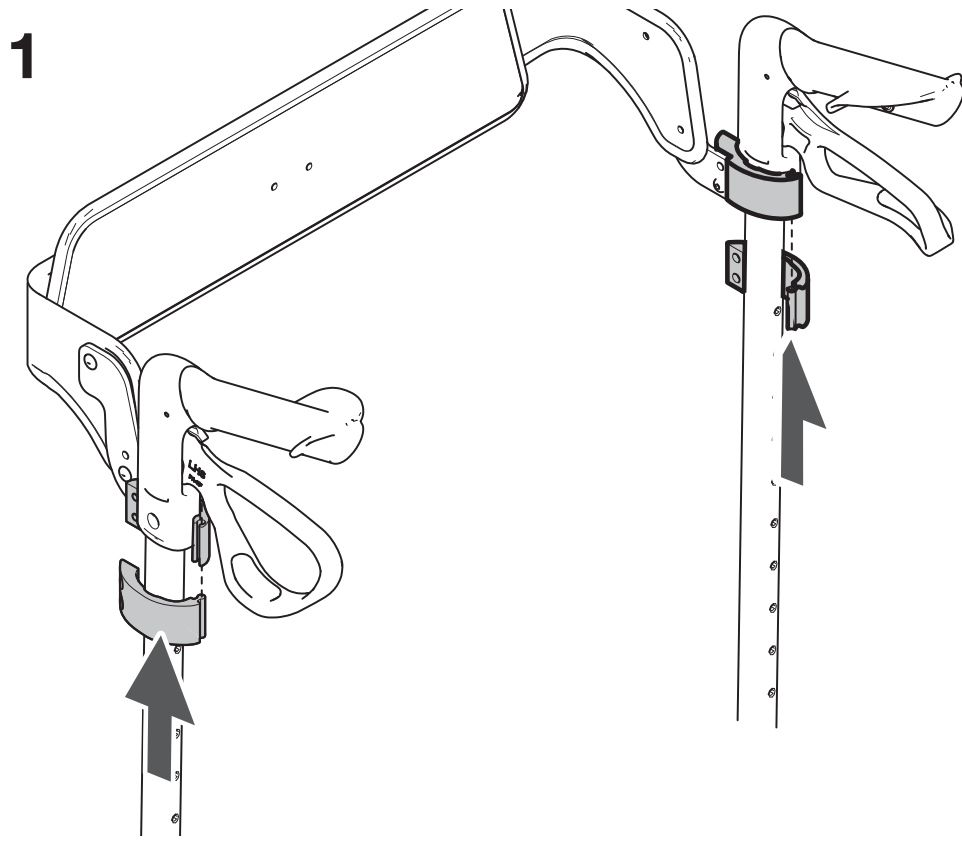
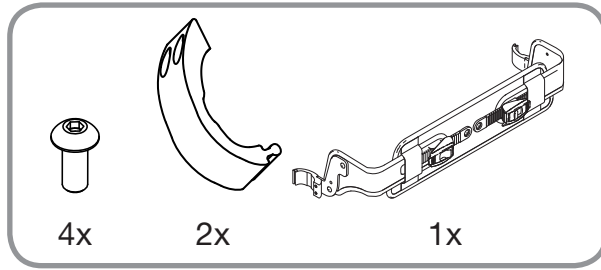
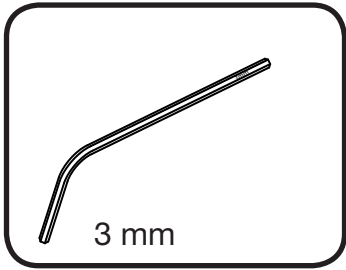
Description

Comfort back support - adjustable, Gemino all models

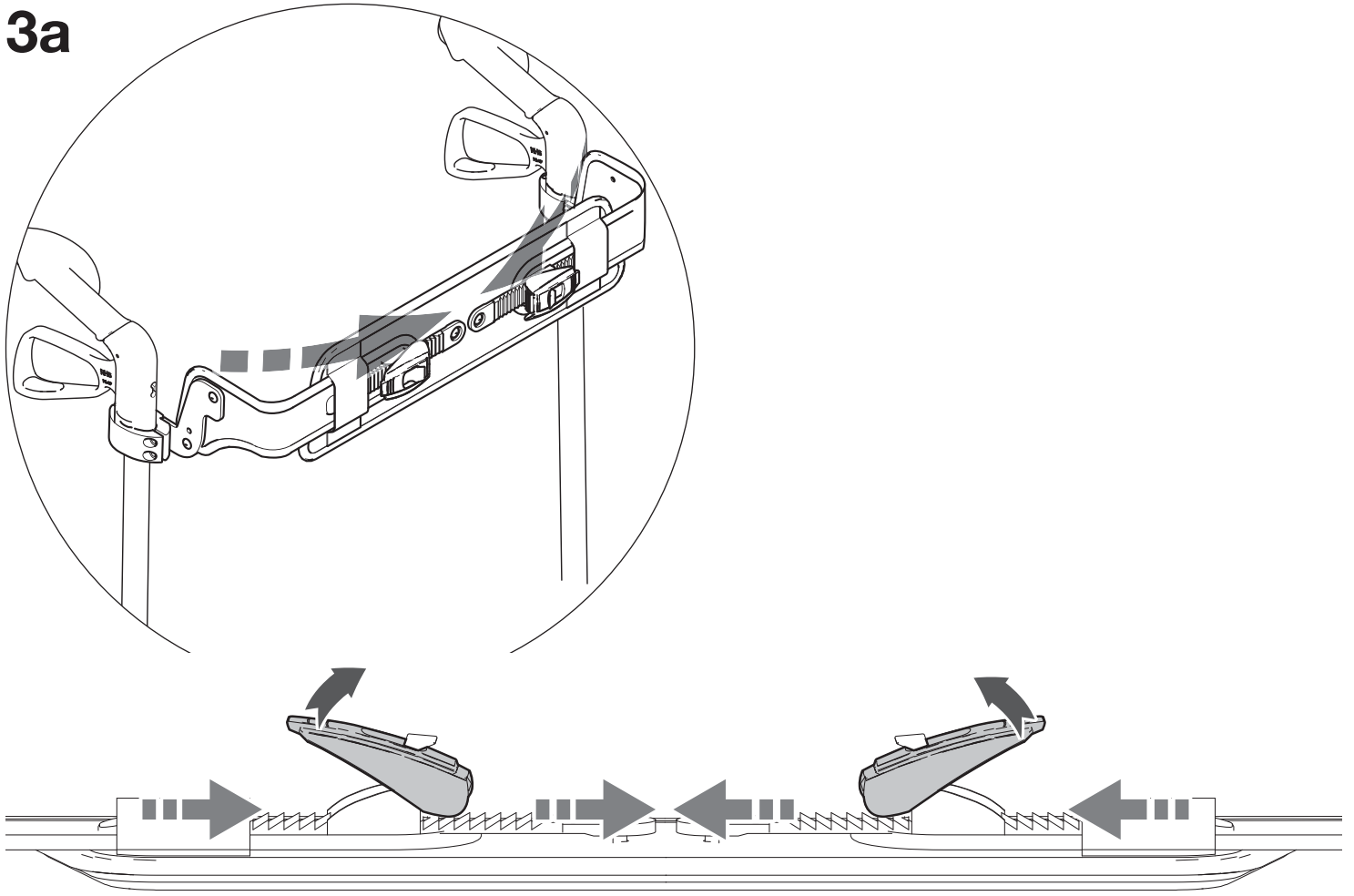
Article number

7109035

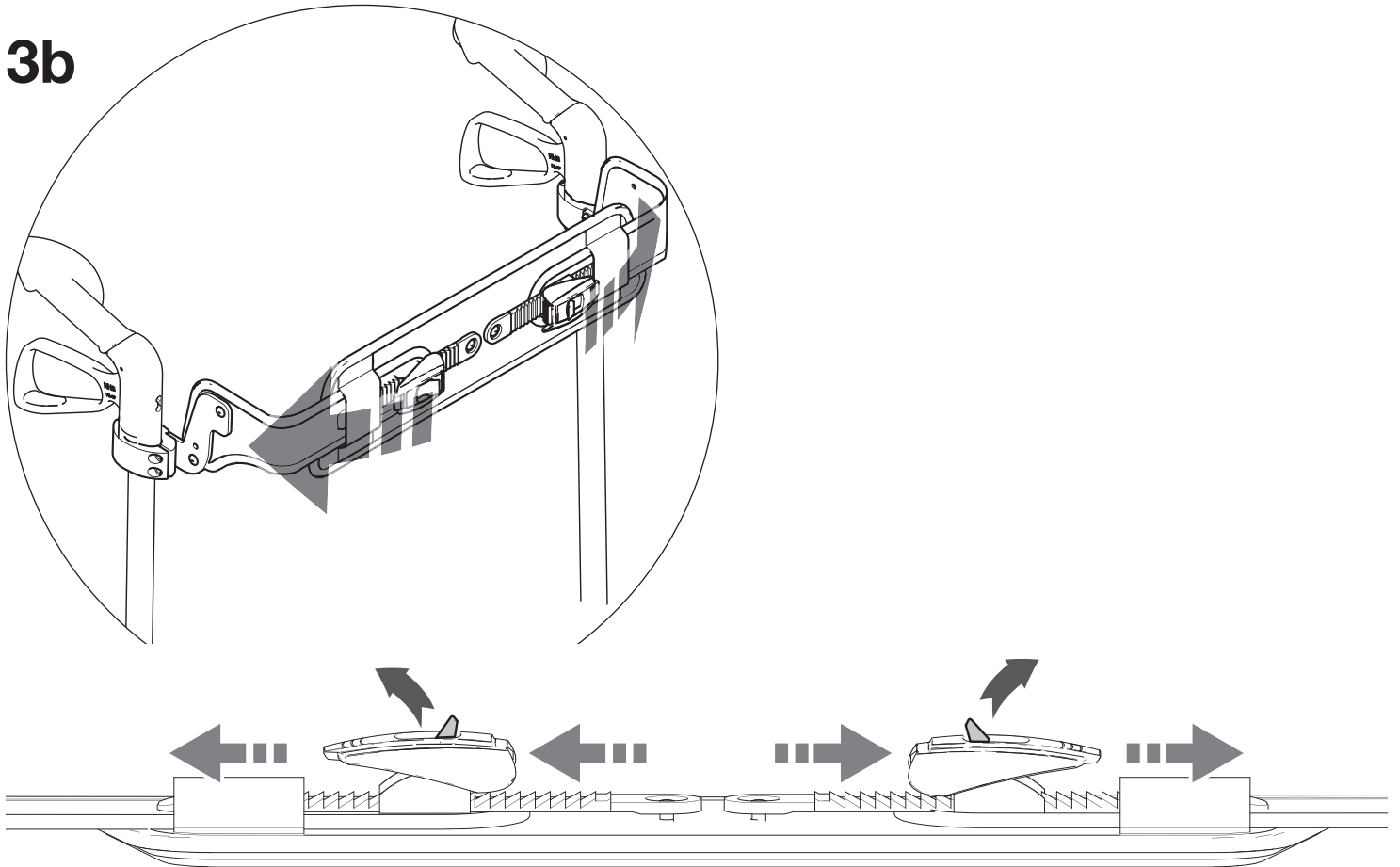
GEMINO



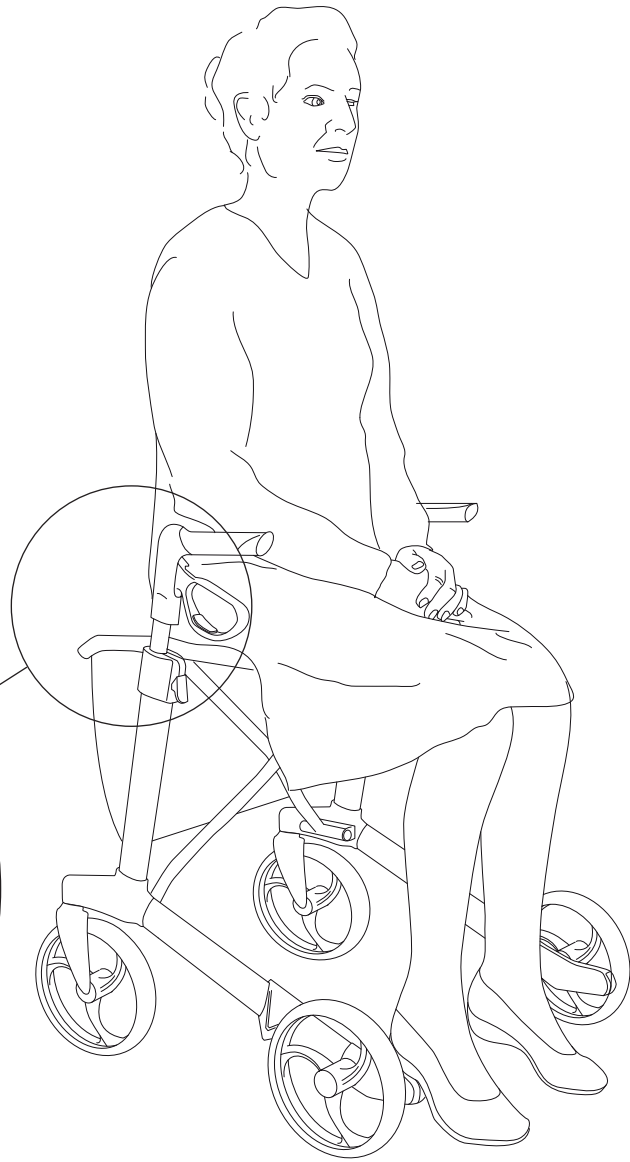
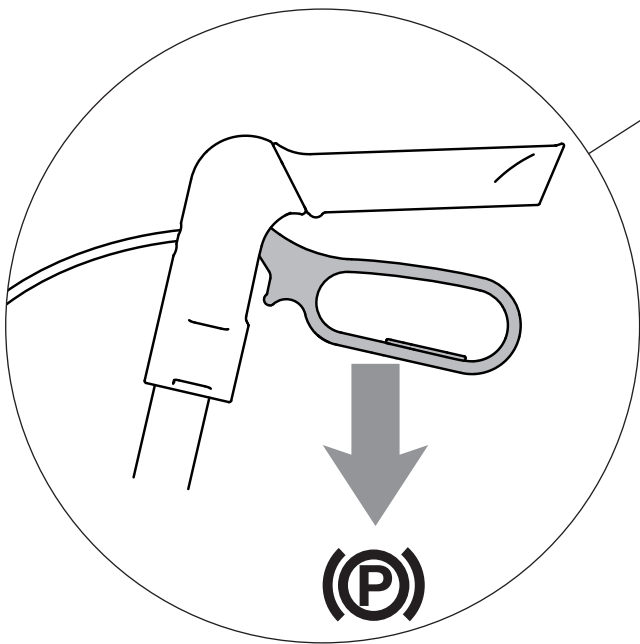
3a



3b



4



Sunrise Medical HCM B.V.
Vossenbeemd 104
5705 CL Helmond
The Netherlands

T: +31 (0)492 593 888
customerservice@sunrisemedical.nl
www.SunriseMedical.eu