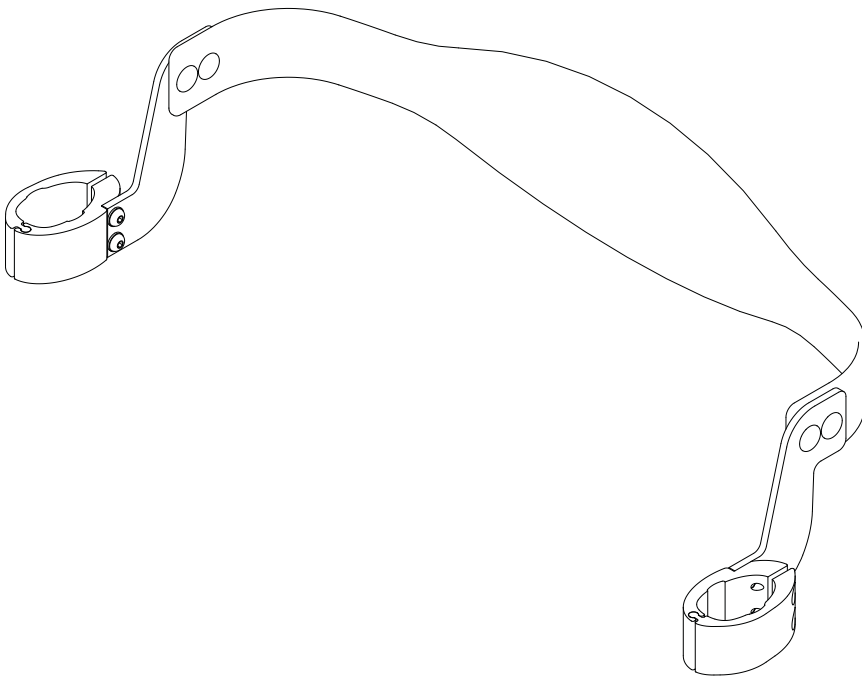


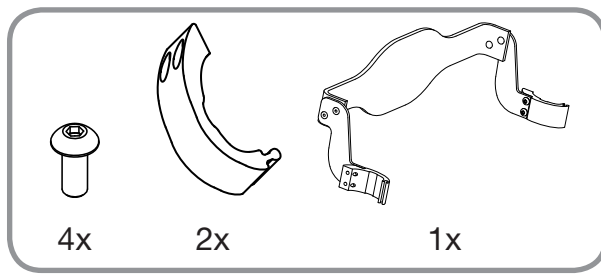
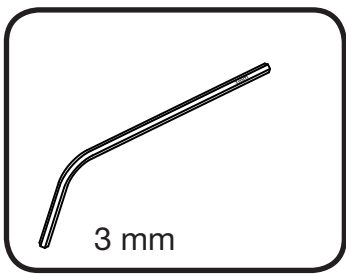
# ASSEMBLY INSTRUCTION

## Back support

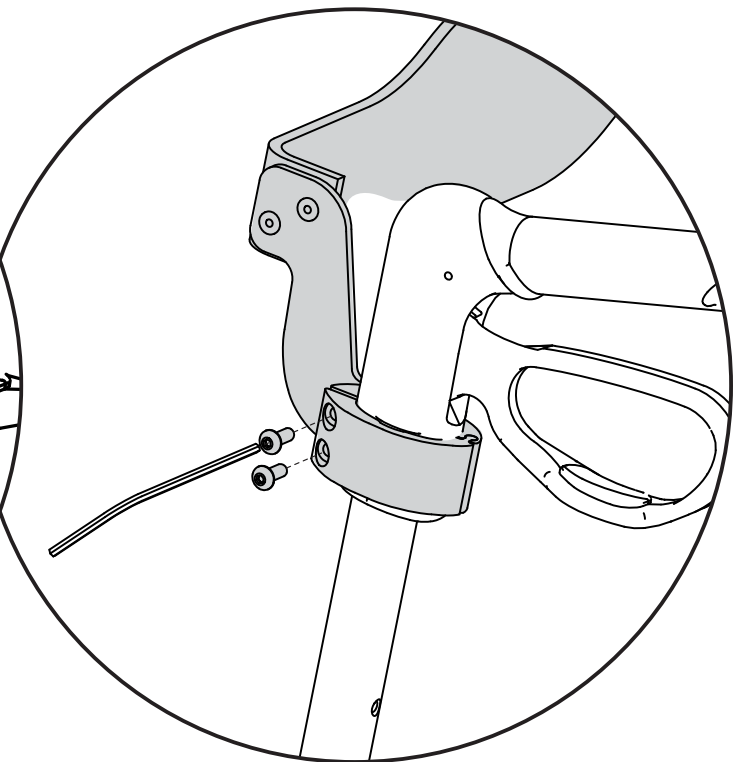
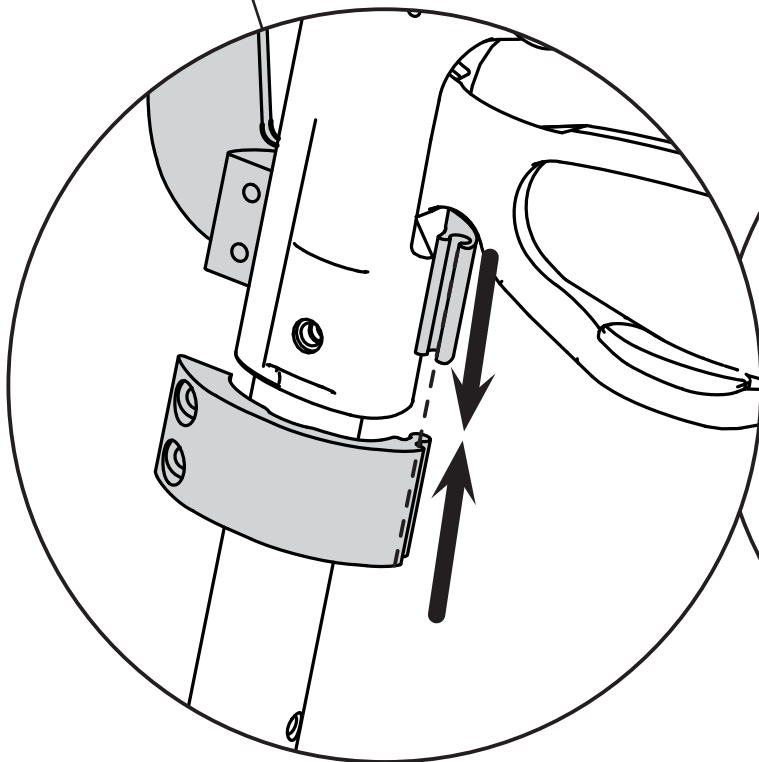
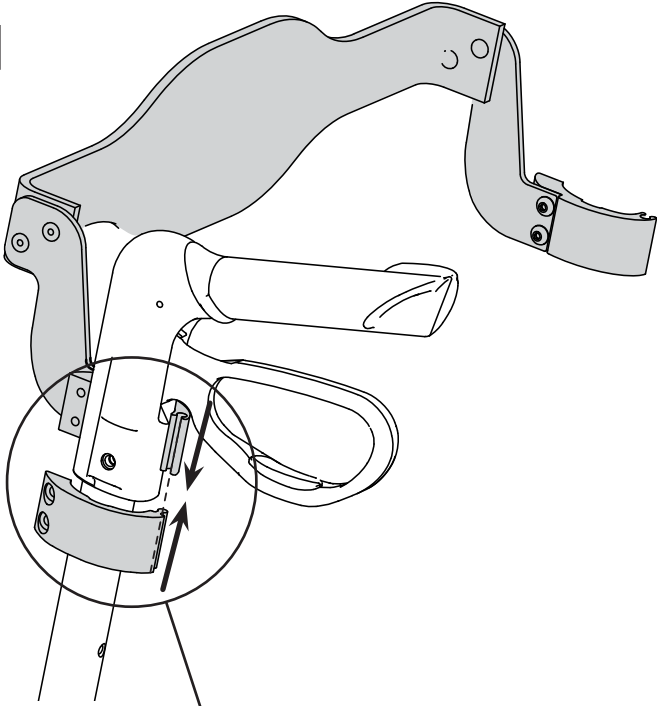


Description	Article number
Back support, Gemino 30/30M models, except Walker models, Gemino 20/20M	<input type="checkbox"/> 7109020
Back support, Gemino 30S models, Gemino 20S	<input type="checkbox"/> 7109021

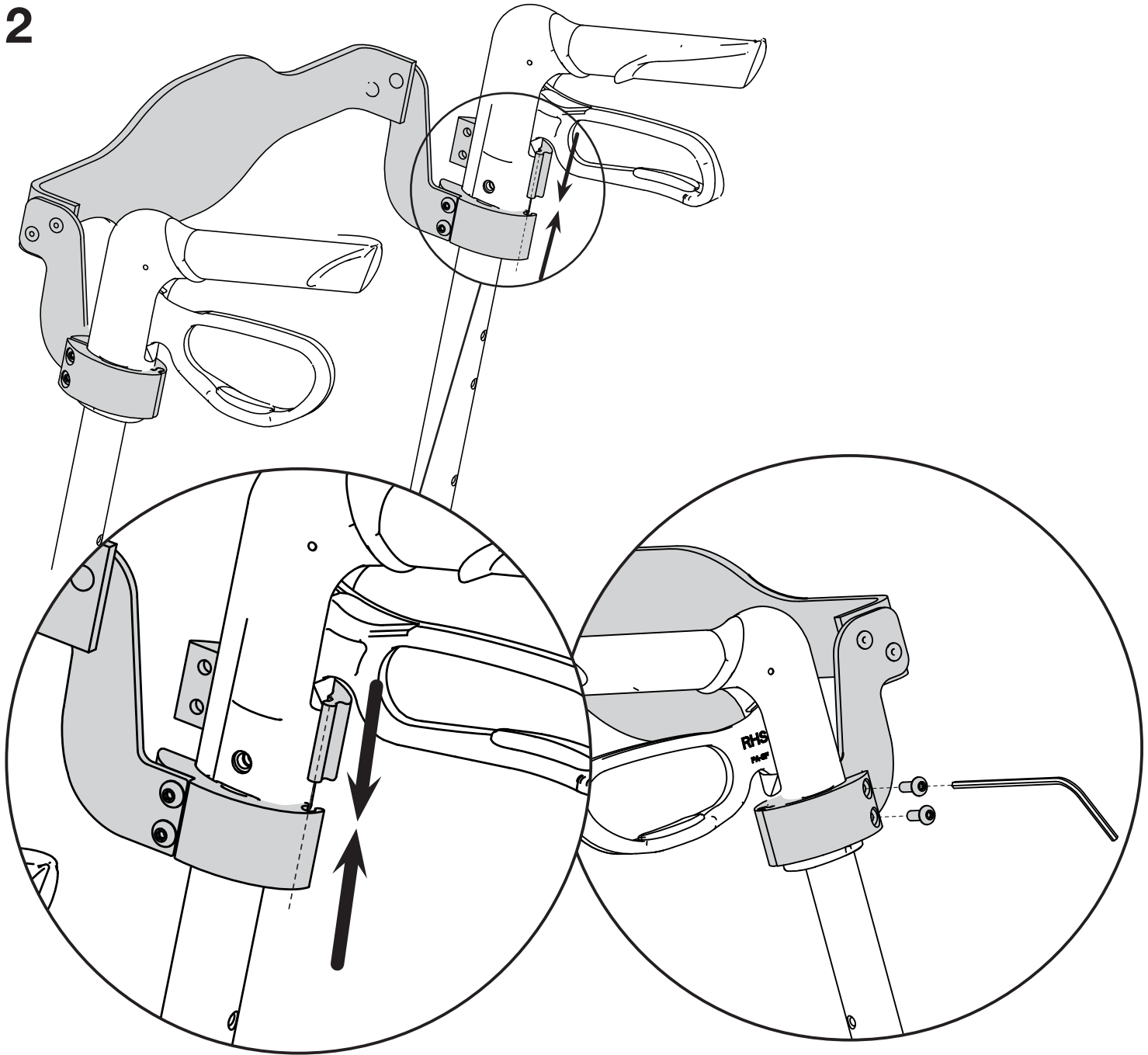
# GEMINO



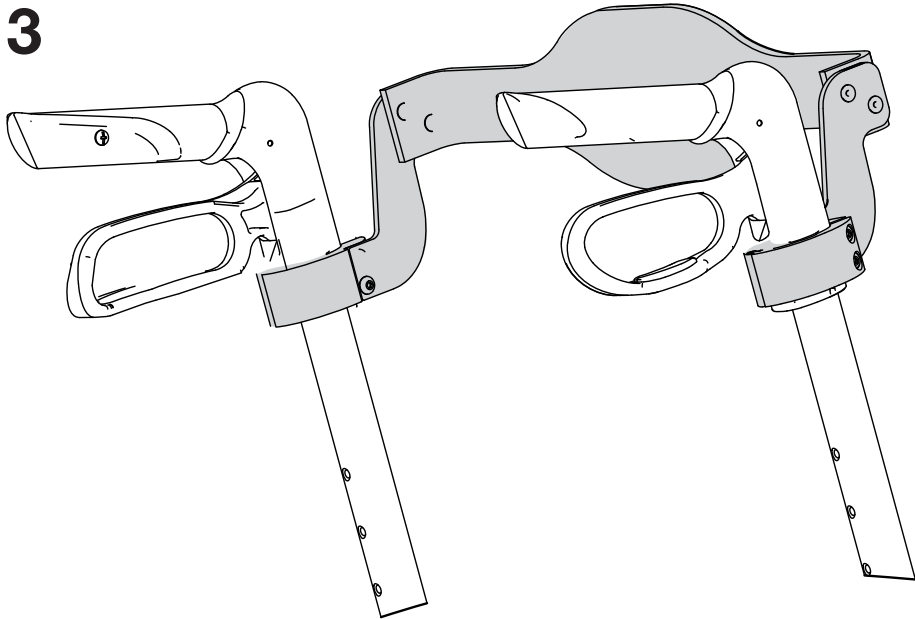
1

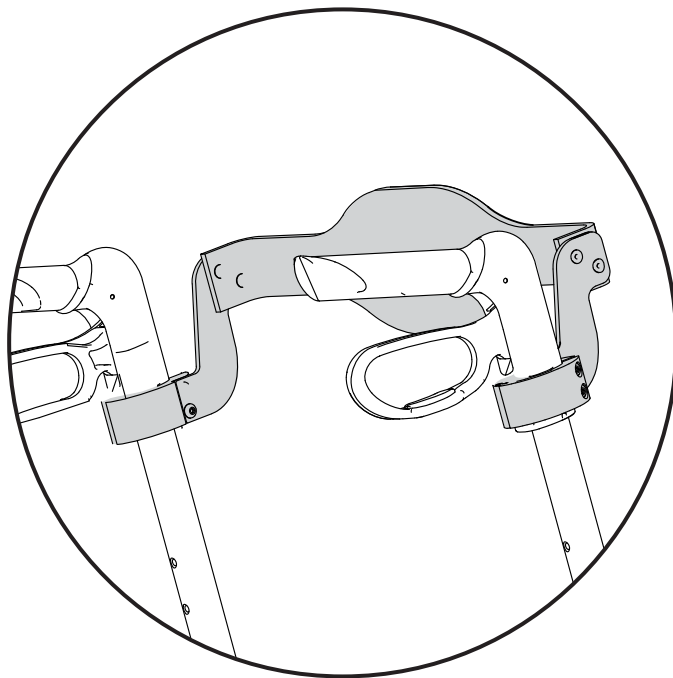


2



3





Sunrise Medical HCM B.V.  
Vossenbeemd 104  
5705 CL Helmond  
The Netherlands

T: +31 (0)492 593 888  
customerservice@sunrisemedical.nl  
www.SunriseMedical.eu