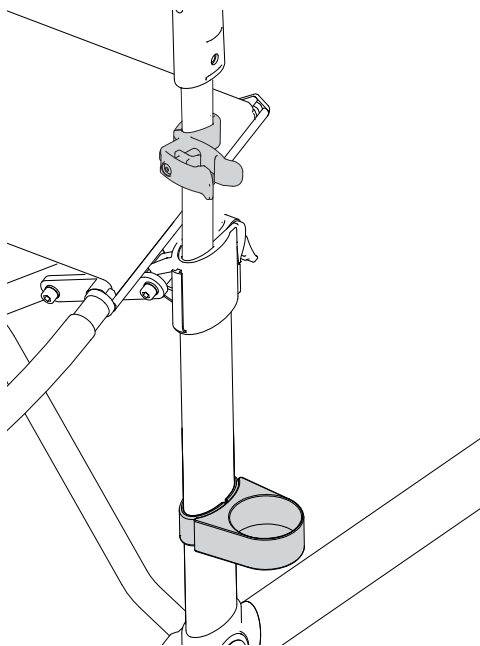


ASSEMBLY INSTRUCTION

Crutch holder



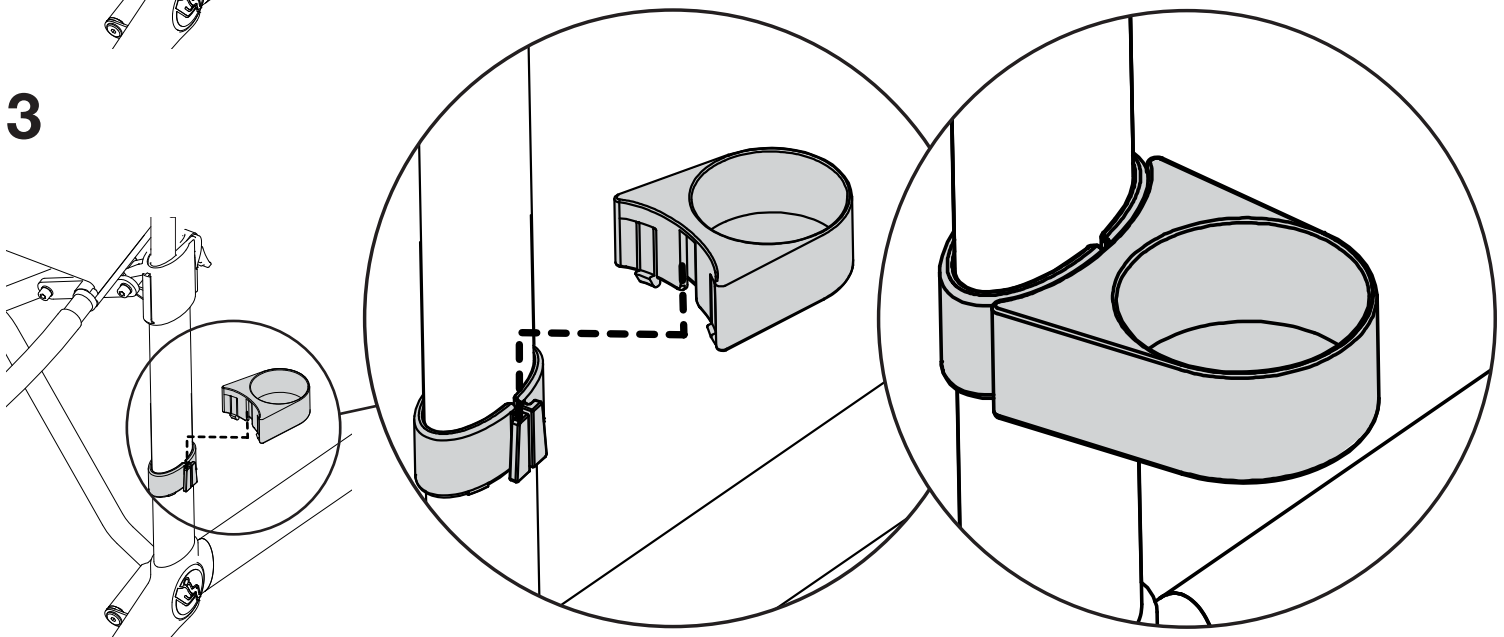
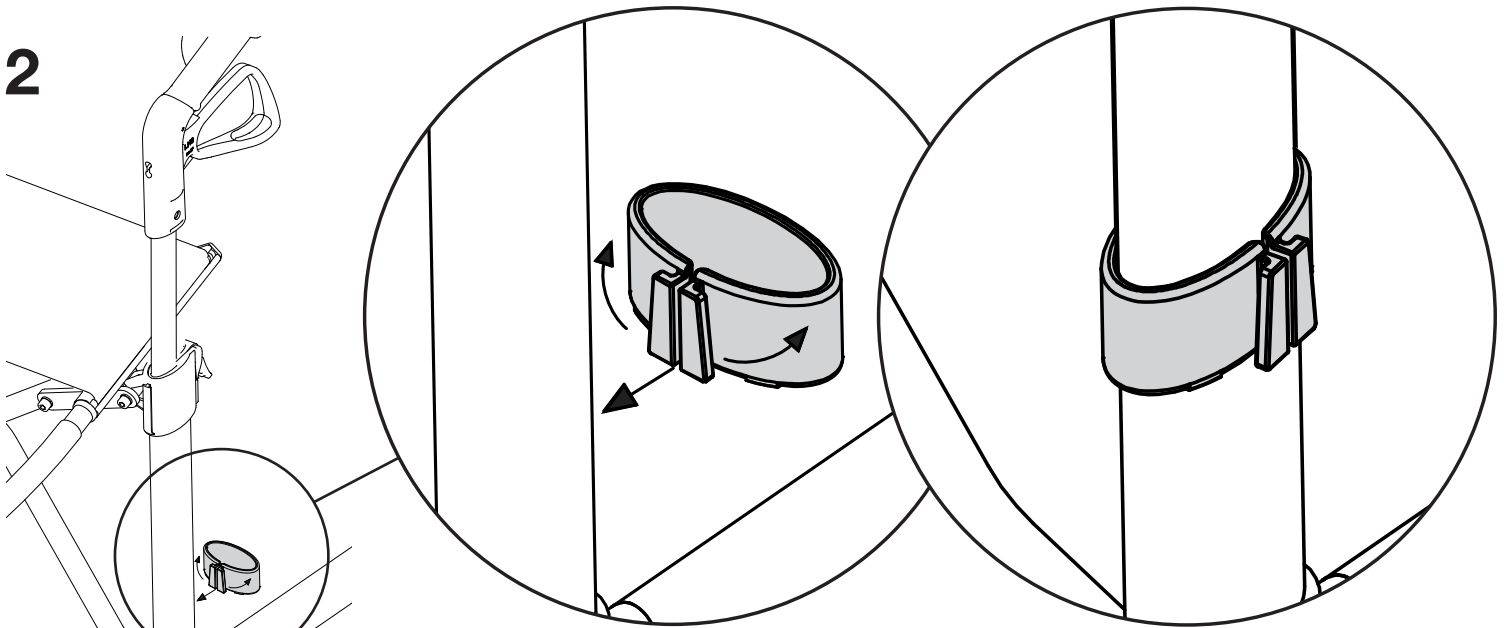
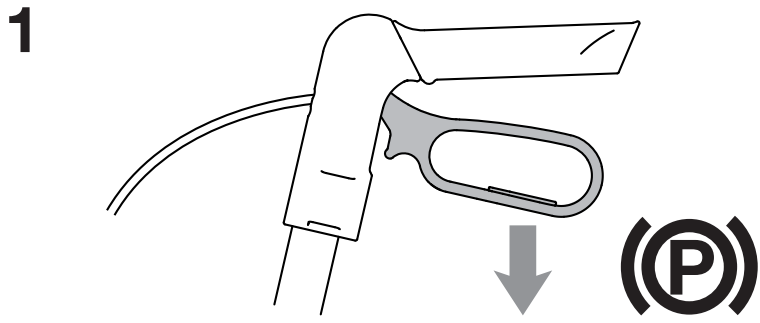
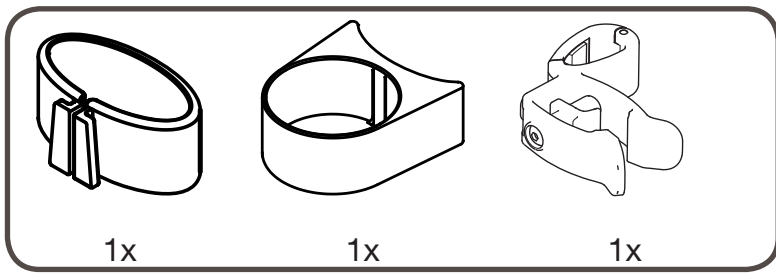
Description

Crutch holder, Gemino all models

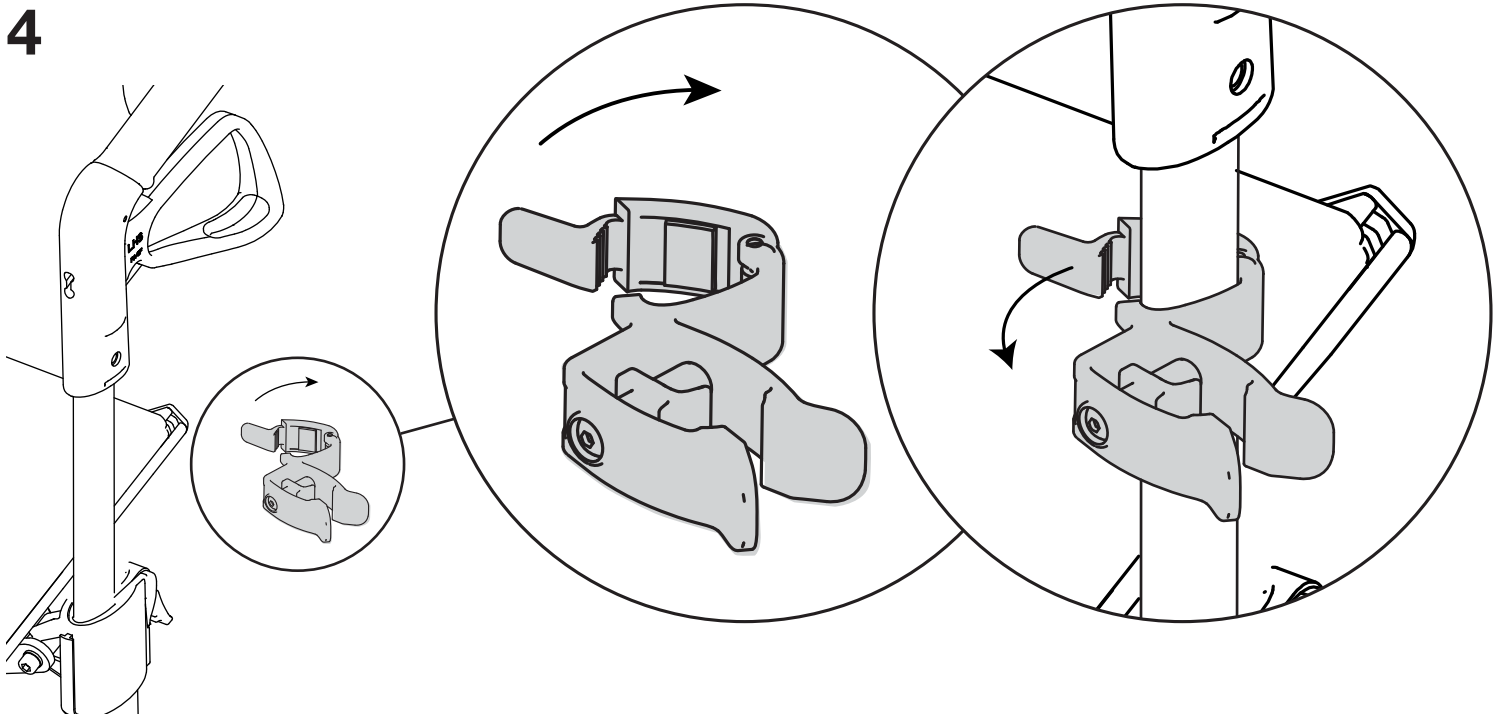
Article number

7109011

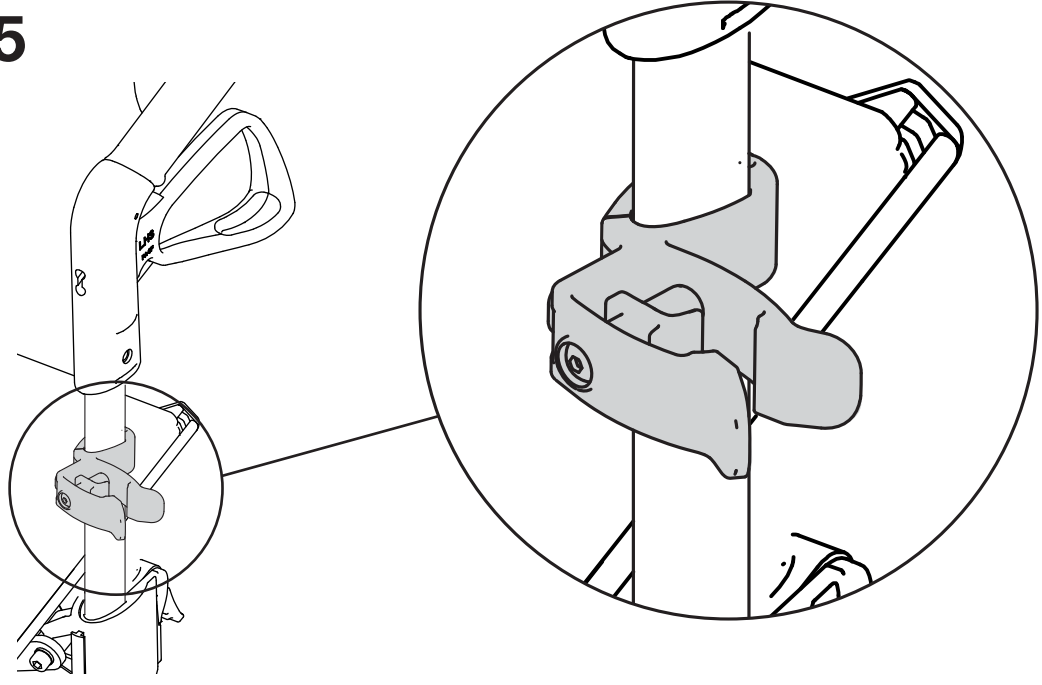
GEMINO



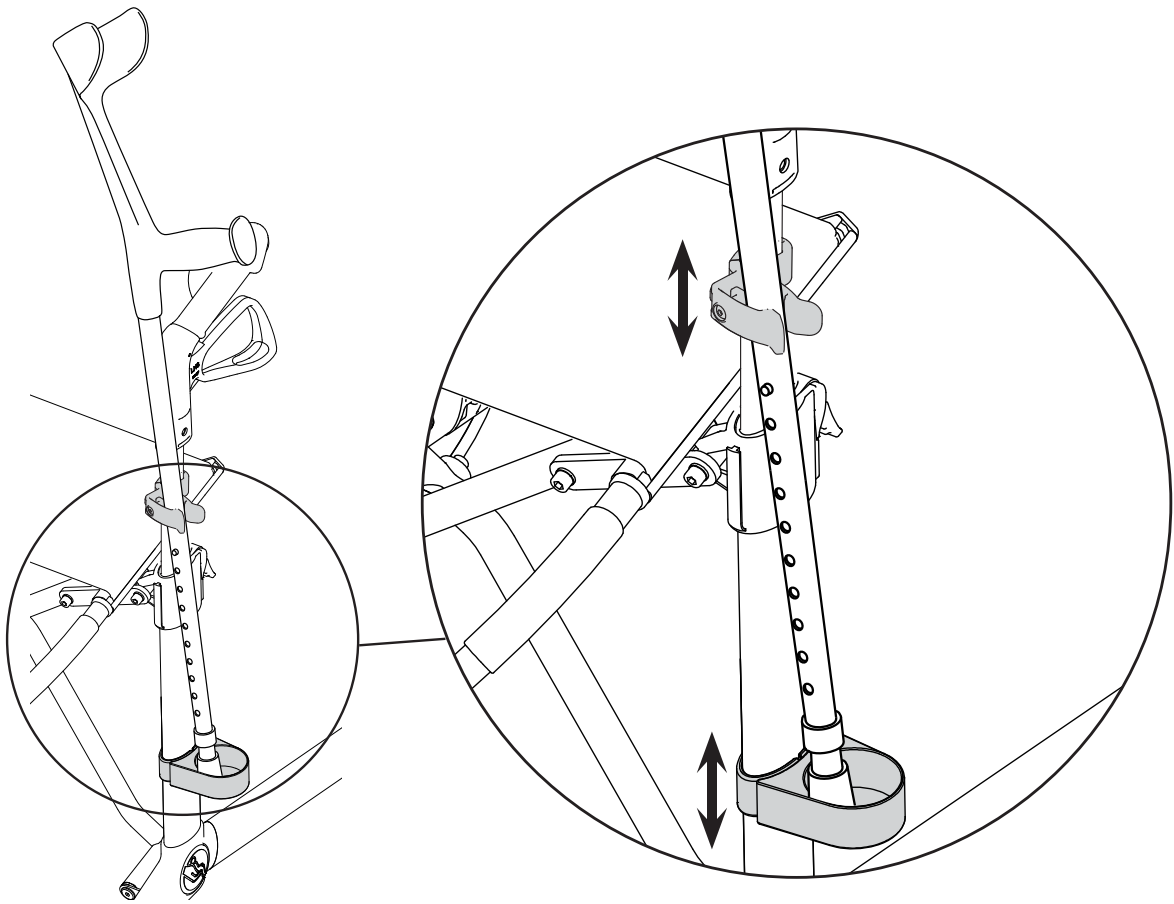
4



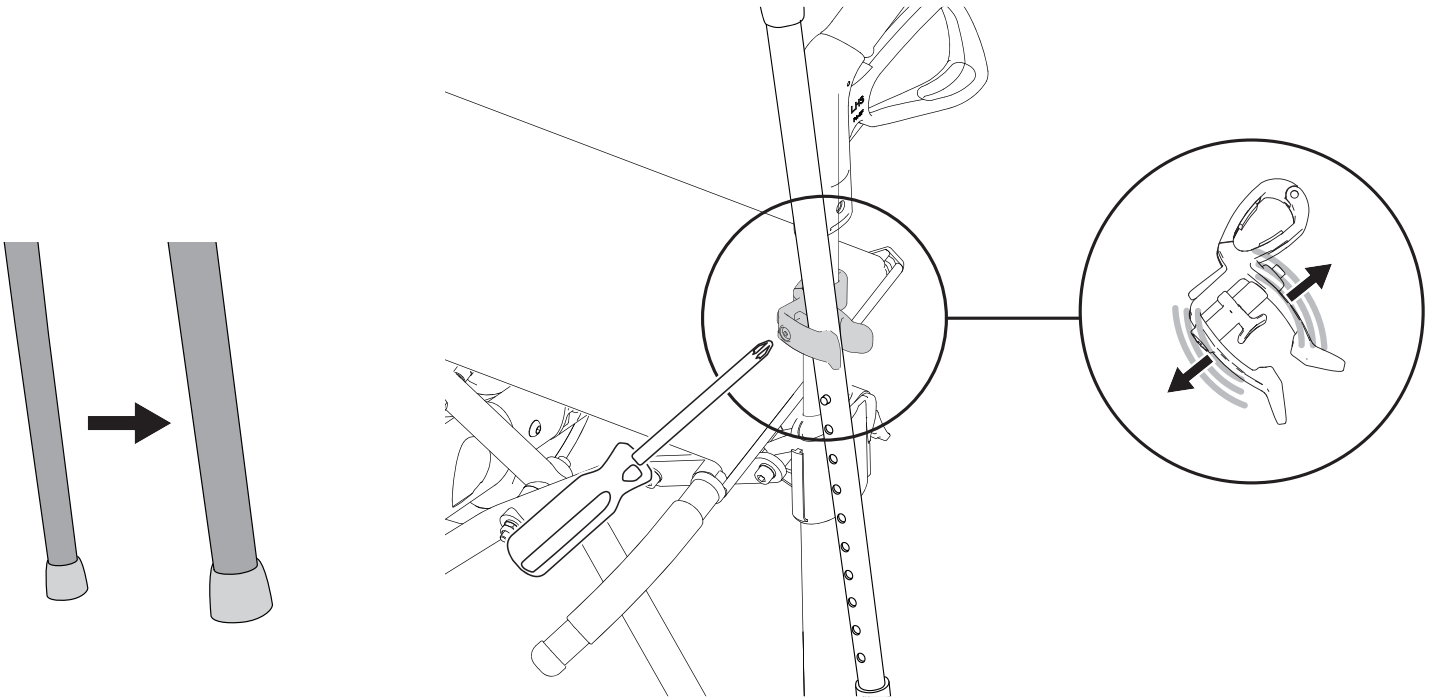
5



6



7



Sunrise Medical HCM B.V.
Vossenbeemd 104
5705 CL Helmond
The Netherlands

T: +31 (0)492 593 888
customerservice@sunrisemedical.nl
www.SunriseMedical.eu