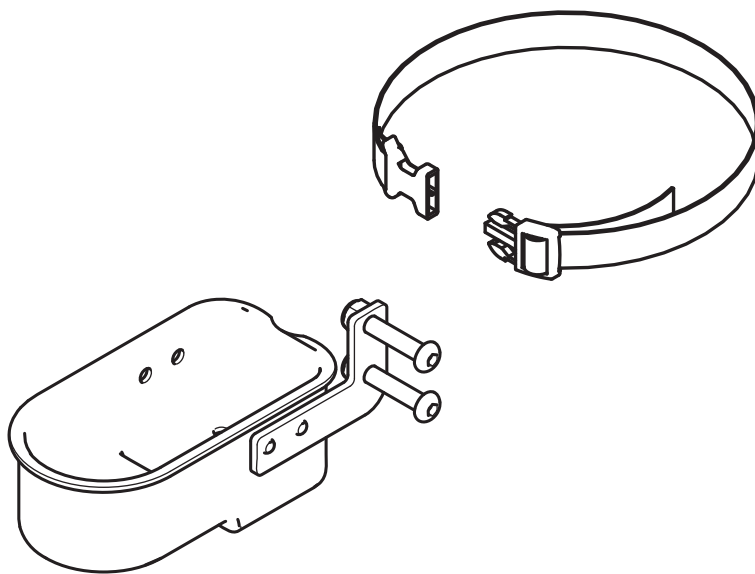


ASSEMBLY INSTRUCTION

Crutch holder



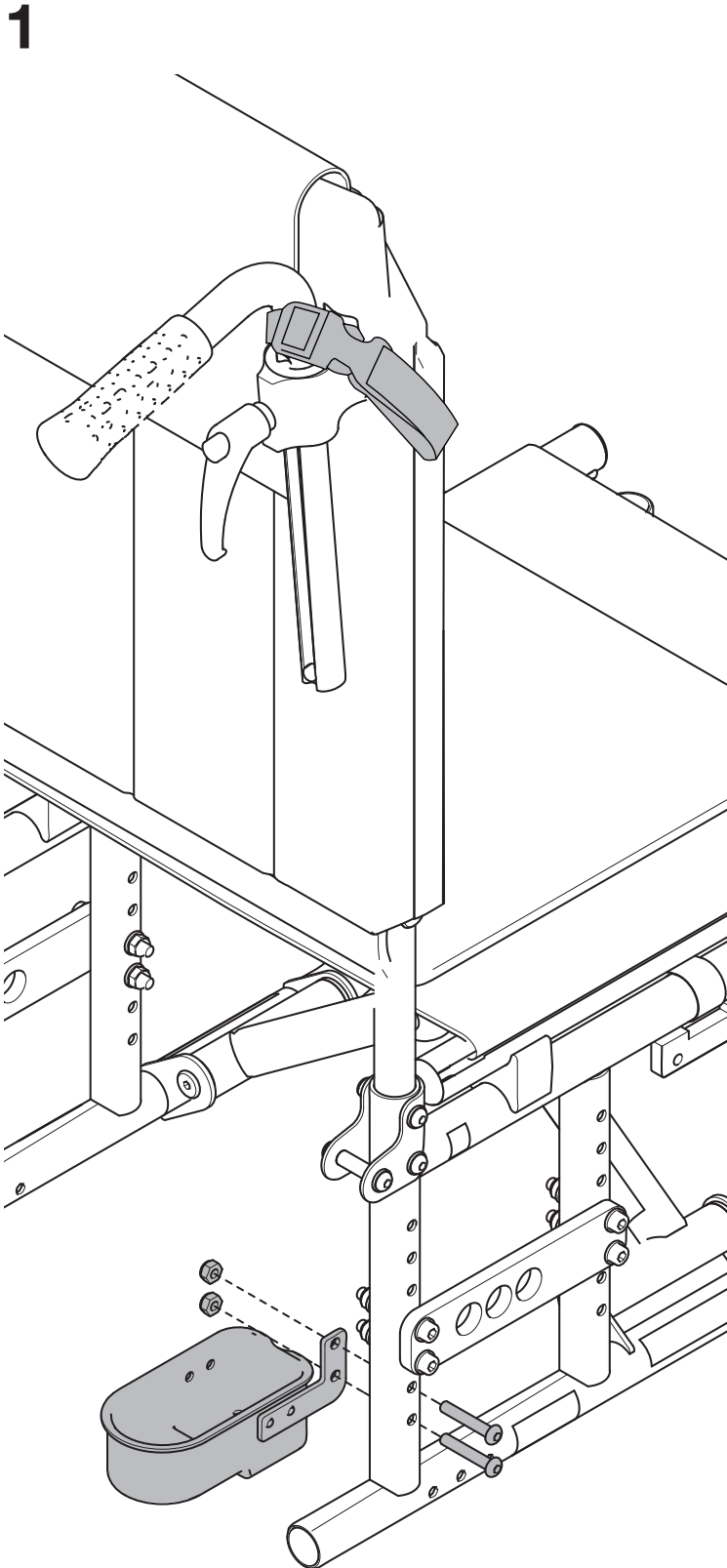
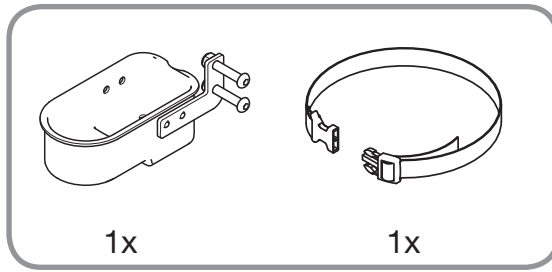
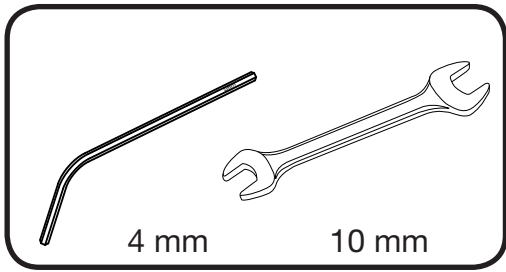
Description

Crutch holder RHS=LHS

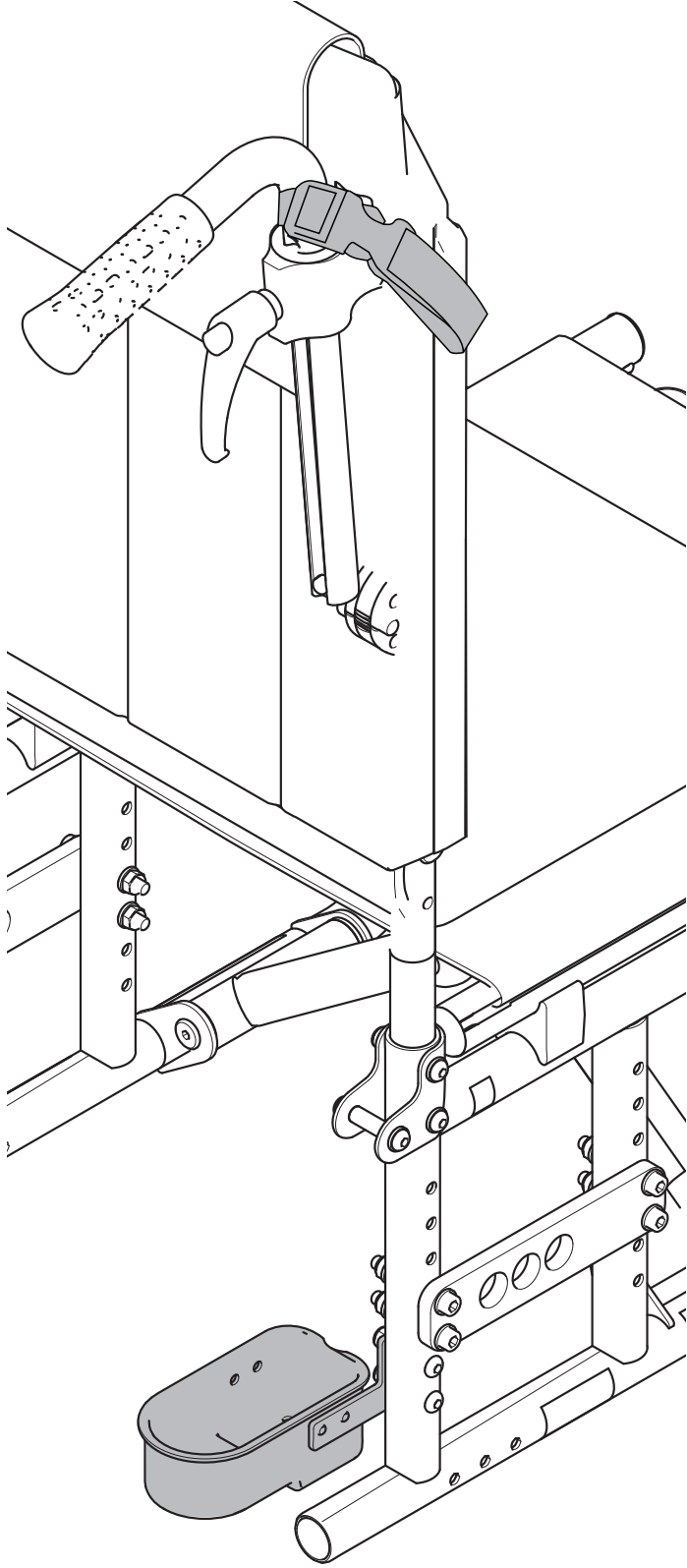
Article number

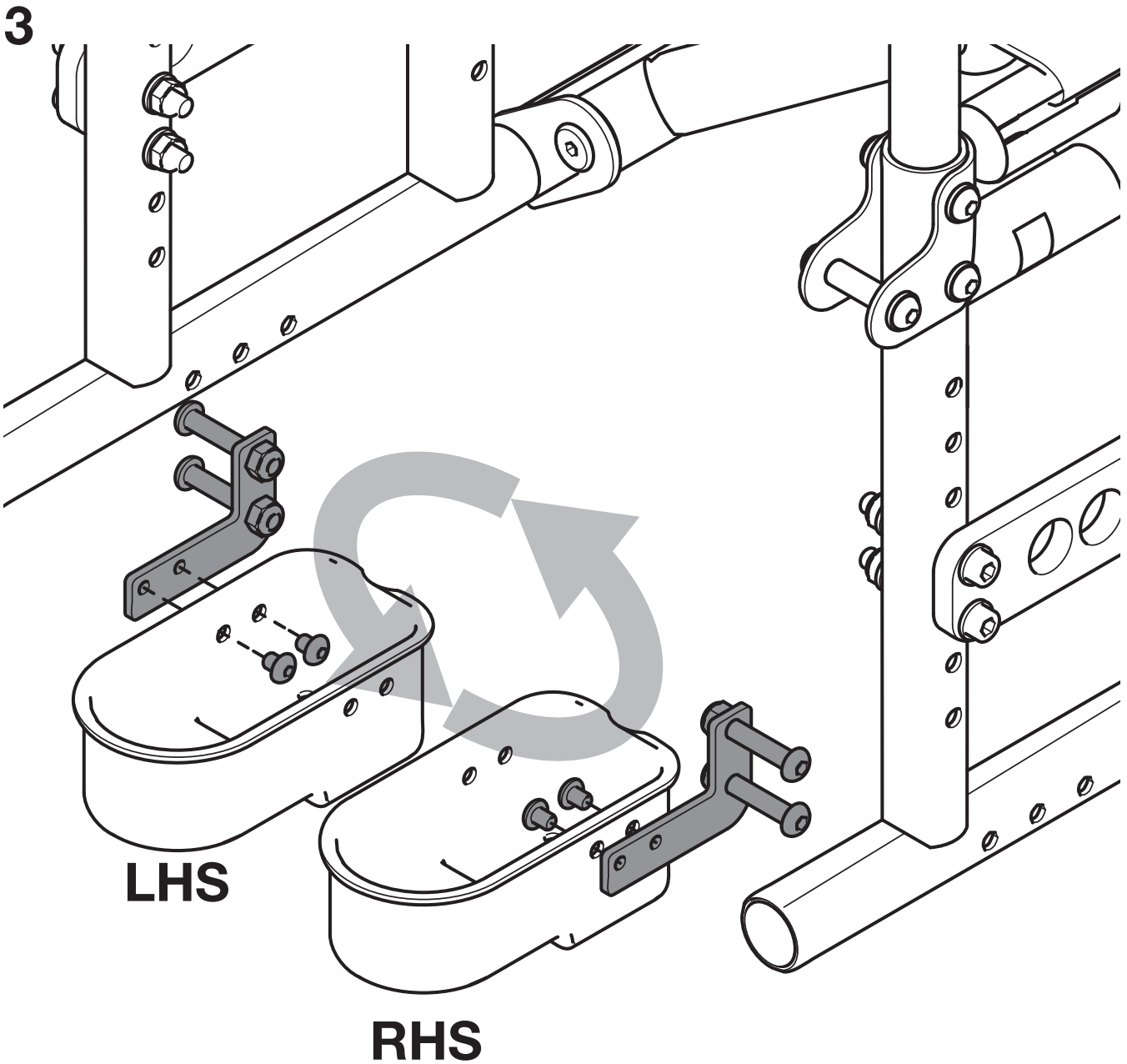
3009620





2





Sunrise Medical HCM B.V.
Vossenbeemd 104
5705 CL Helmond
The Netherlands

T: +31 (0)492 593 888
customerservice@sunrisemedical.nl
www.SunriseMedical.eu