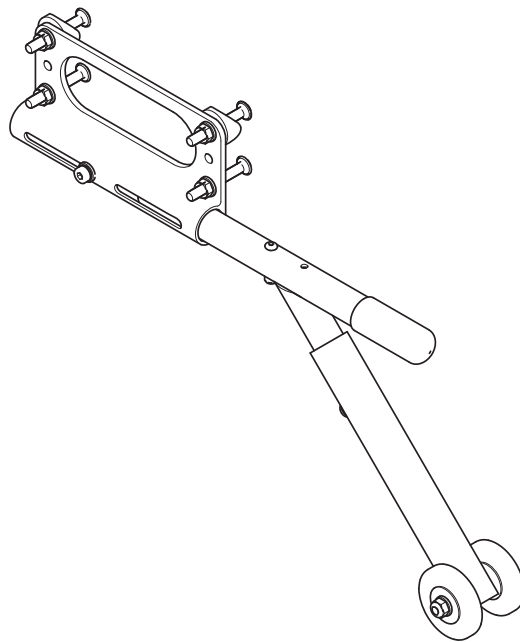


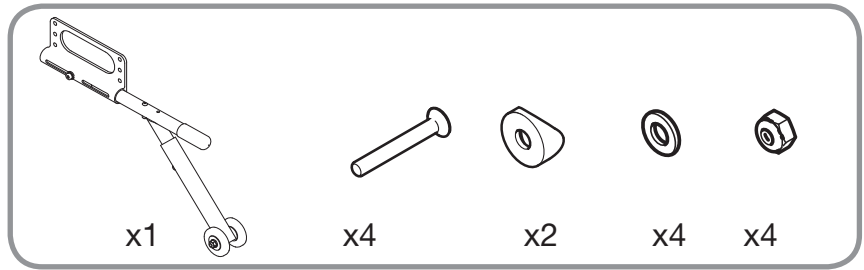
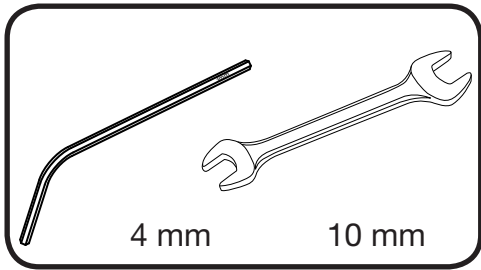
ASSEMBLY INSTRUCTION

Anti-tip

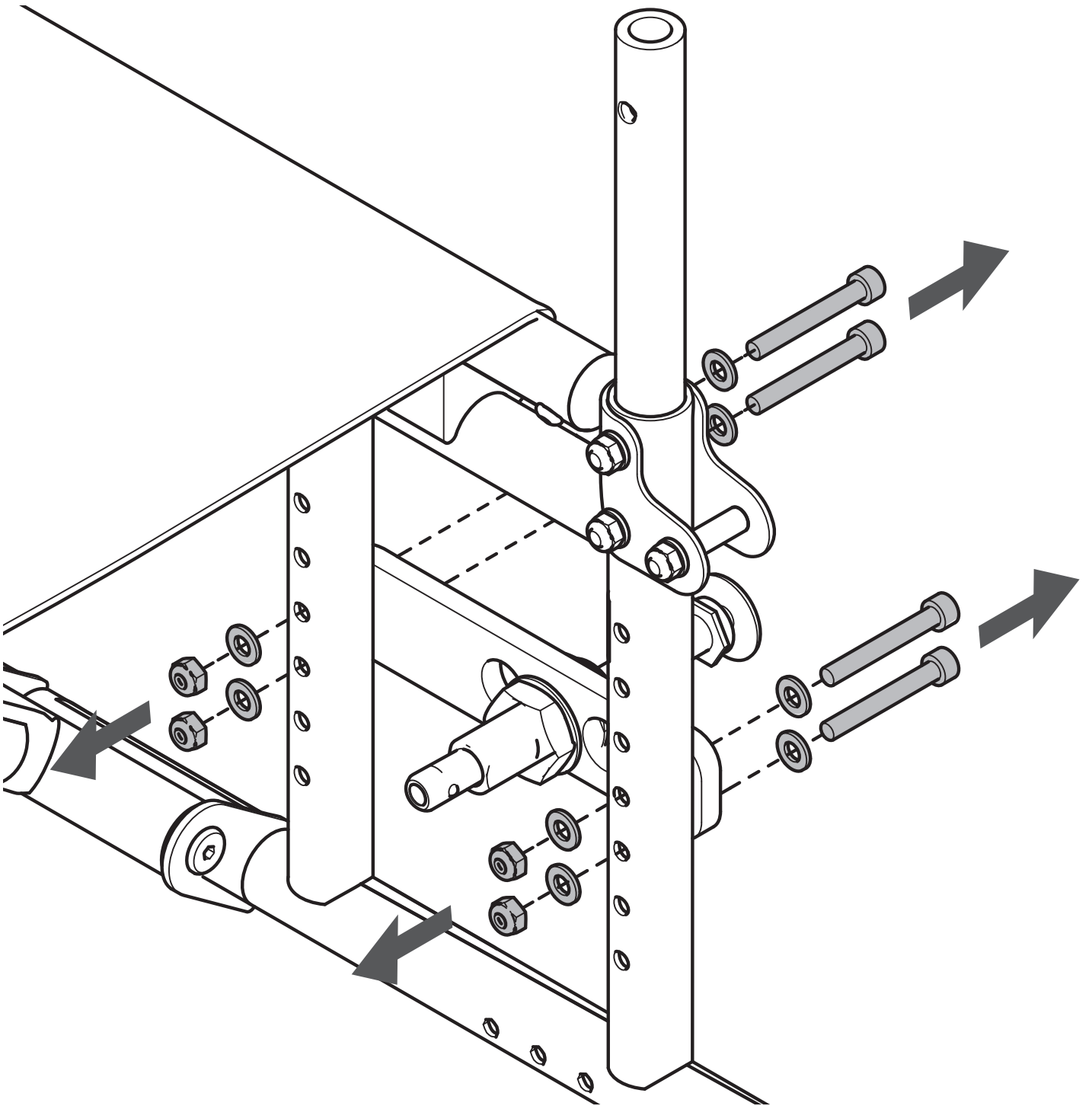


Description	Article number	
Anti tip device RHS	<input type="checkbox"/>	3409350
Anti tip device LHS	<input type="checkbox"/>	3409351

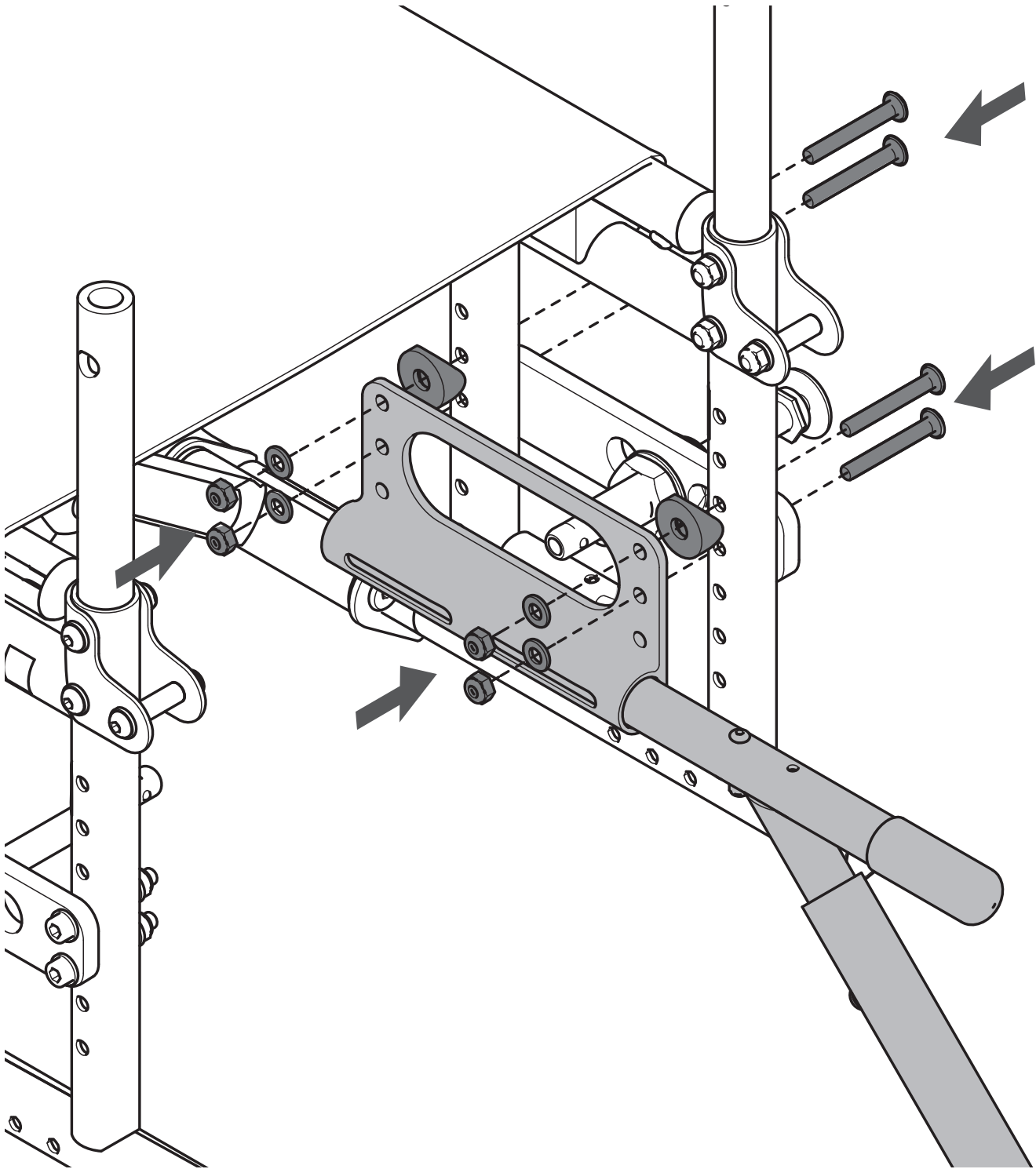




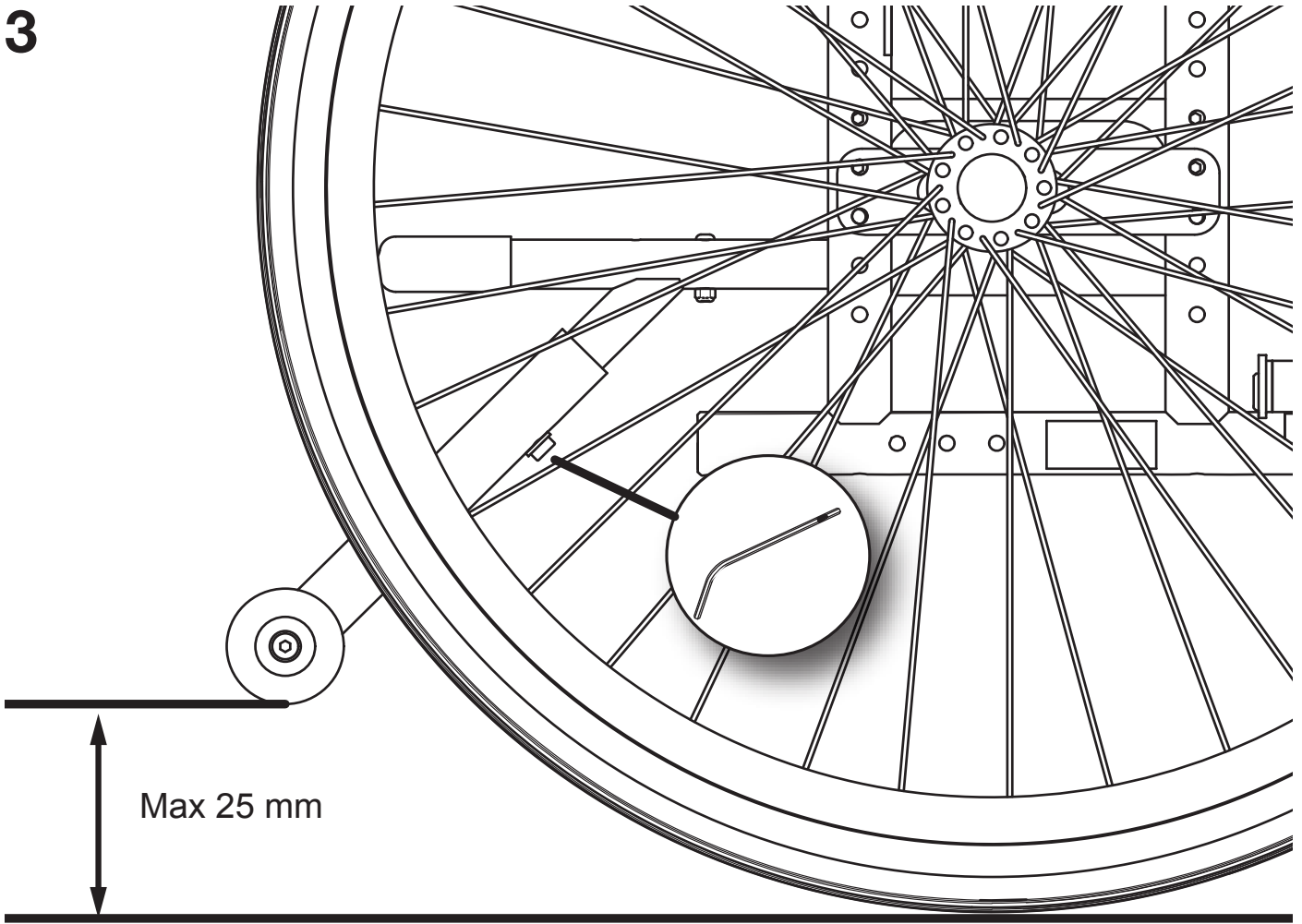
1



2



3



Max 25 mm



Sunrise Medical HCM B.V.
Vossenbeemd 104
5705 CL Helmond
The Netherlands

T: +31 (0)492 593 888
customerservice@sunrisemedical.nl
www.SunriseMedical.eu