

ASSEMBLY INSTRUCTION

Snap lock



Description

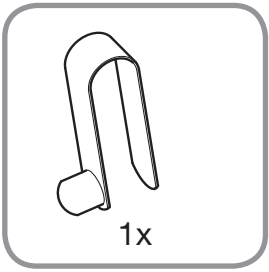
Snap lock

Article number

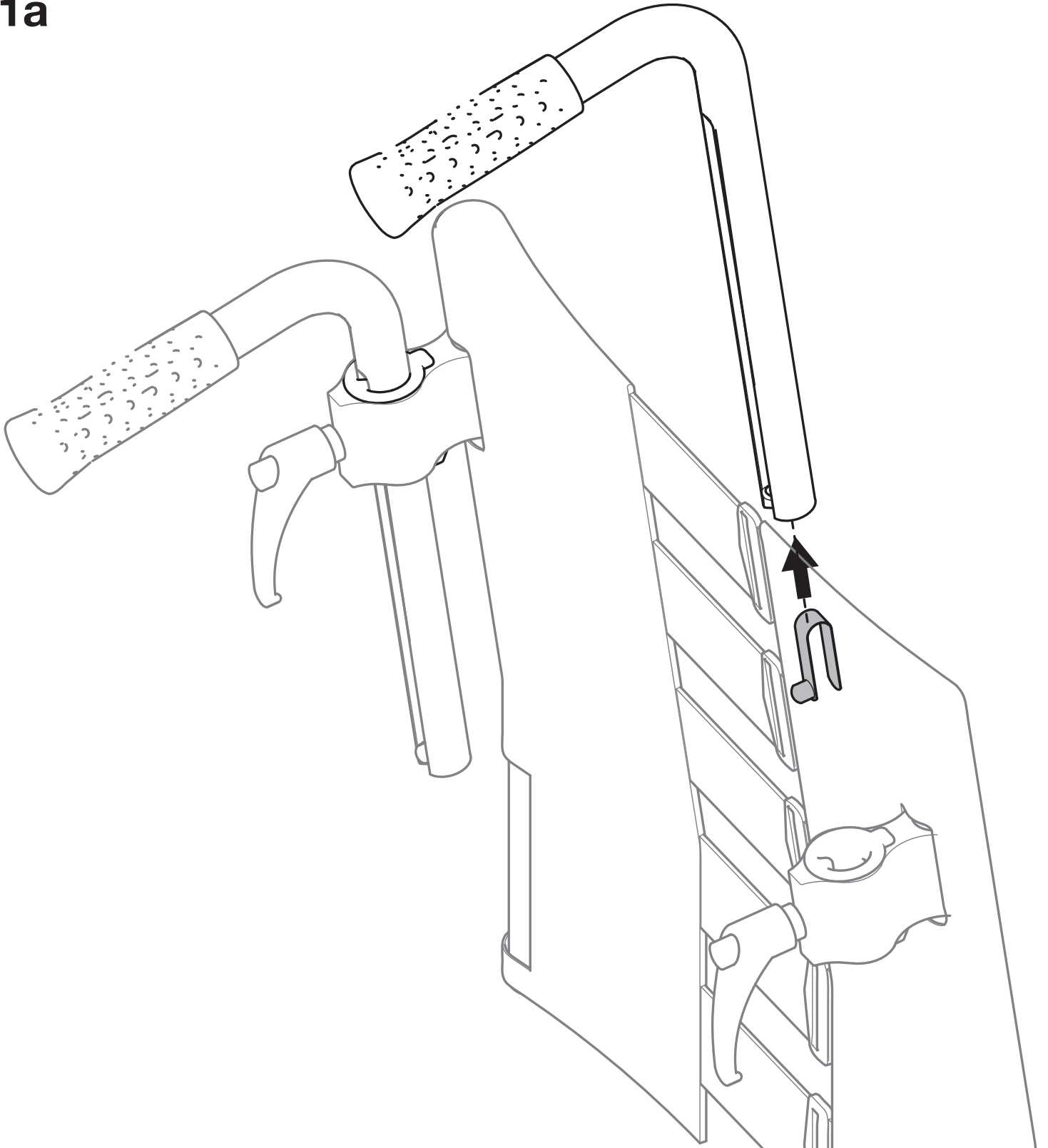


A433000

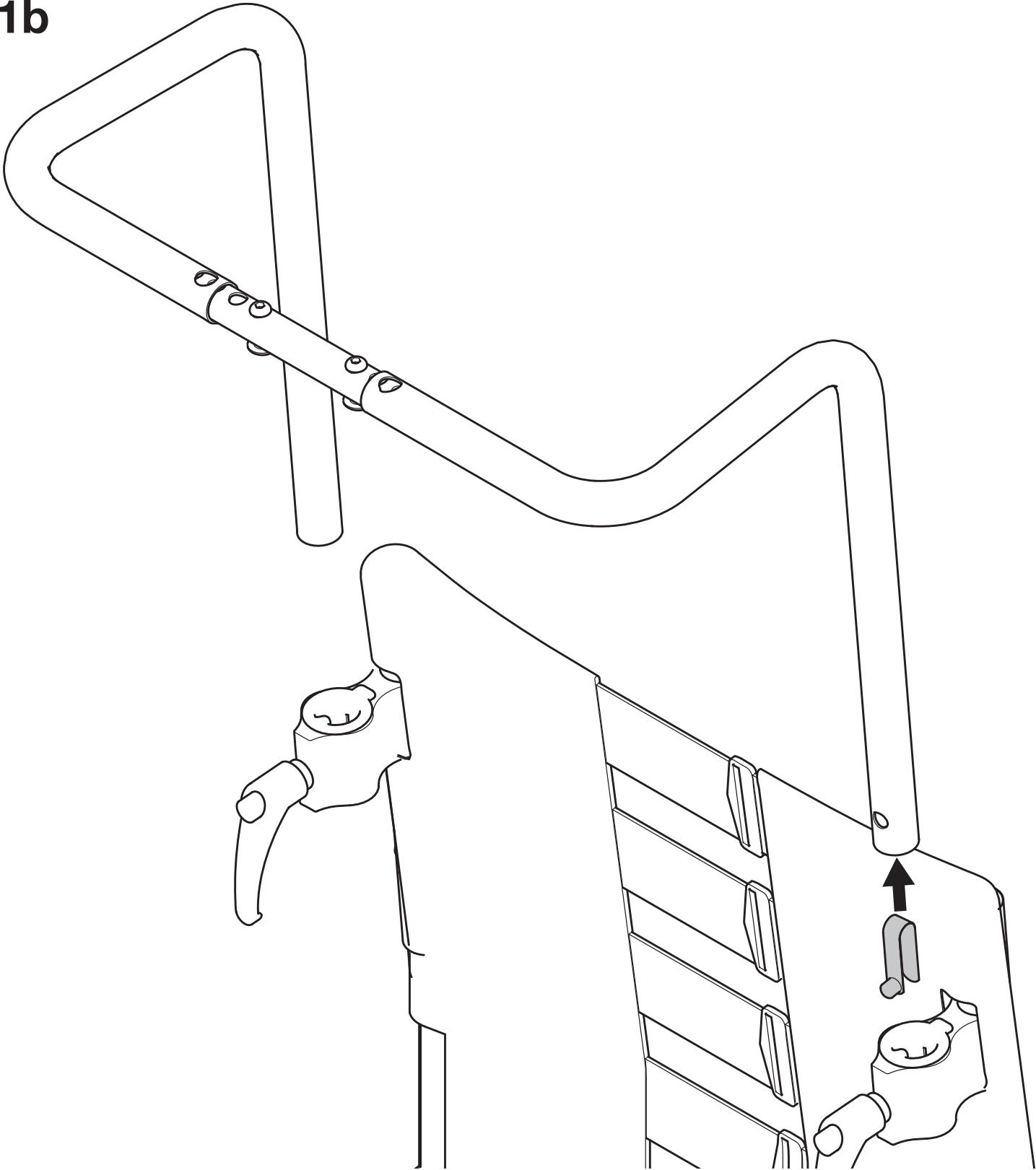




1a



1b





Sunrise Medical HCM B.V.
Vossenbeemd 104
5705 CL Helmond
The Netherlands

T: +31 (0)492 593 888
customerservice@sunrisemedical.nl
www.SunriseMedical.eu