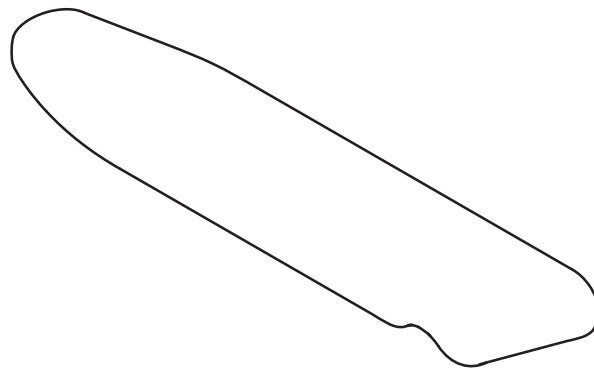


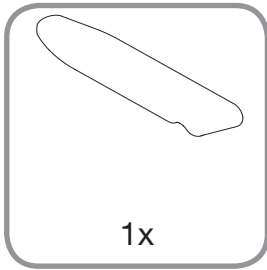
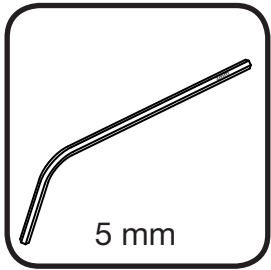
ASSEMBLY INSTRUCTION

Pad for armrest

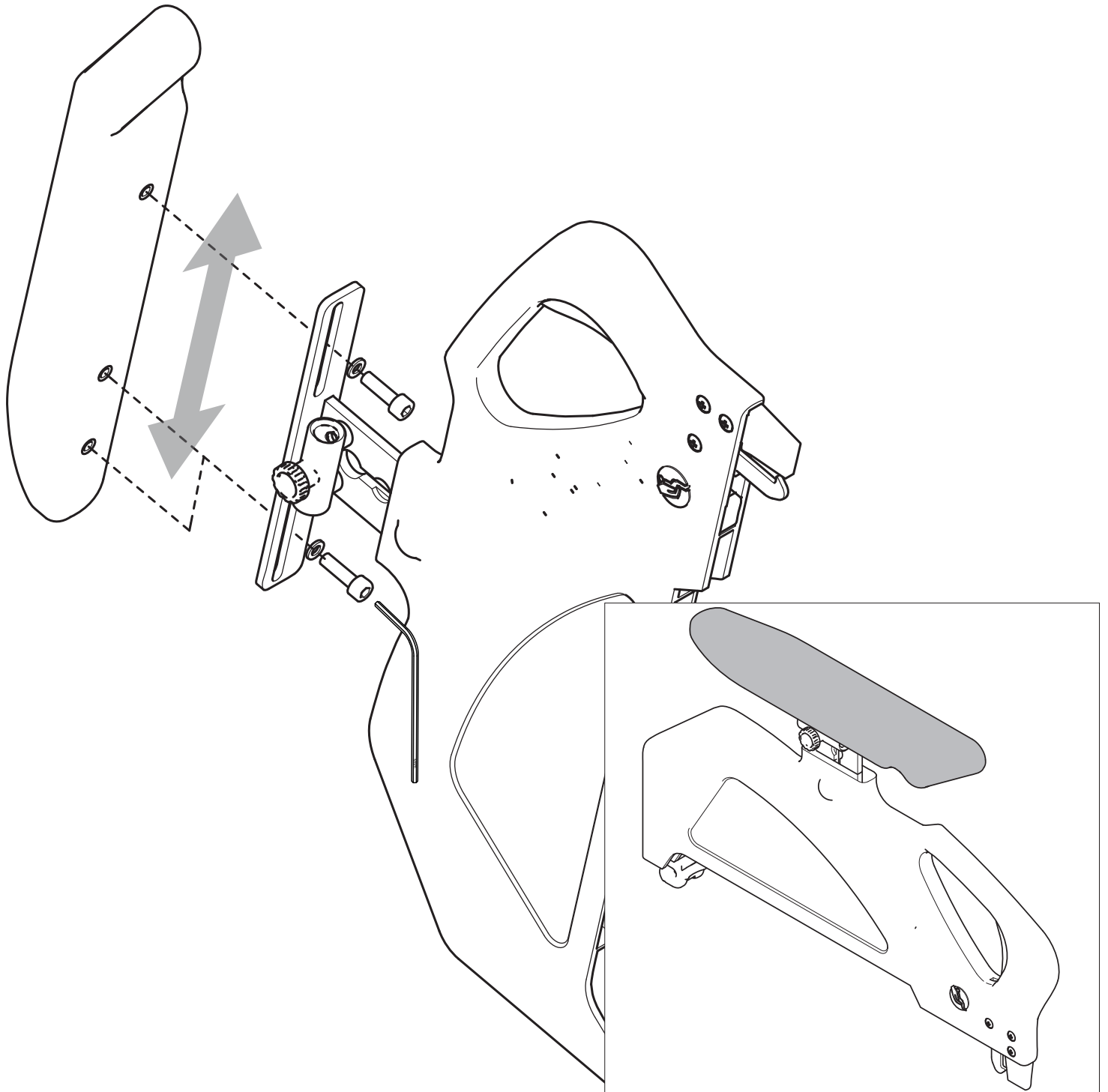


Description	Article number			
		RHS		LHS
Pad for armrest, 30 cm	<input type="checkbox"/>	3006130	<input type="checkbox"/>	3006131
Pad for armrest, 40 cm	<input type="checkbox"/>	3006150	<input type="checkbox"/>	3006151
Pad for armrest, 40 cm, narrow pad	<input type="checkbox"/>	3006120	<input type="checkbox"/>	3006121

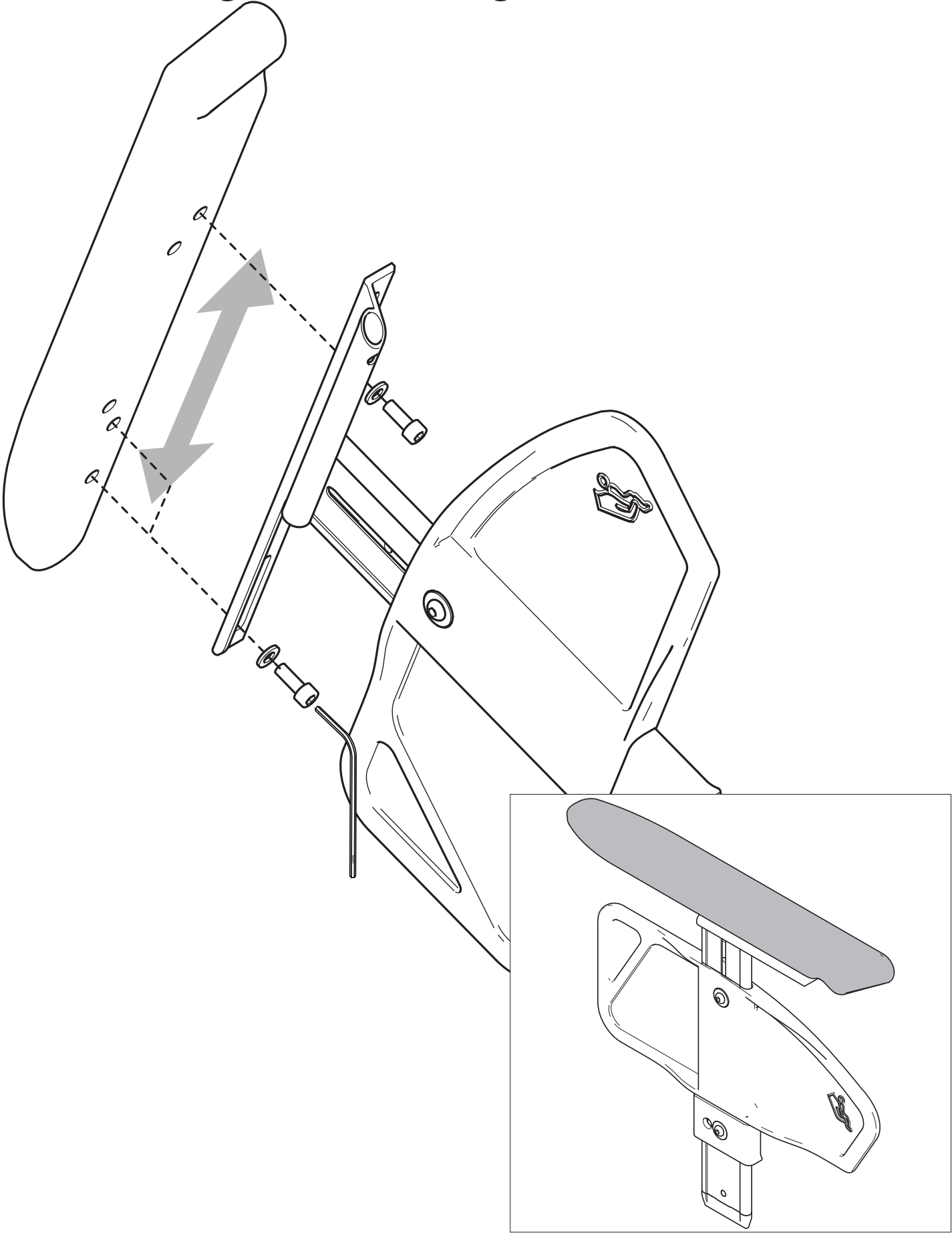




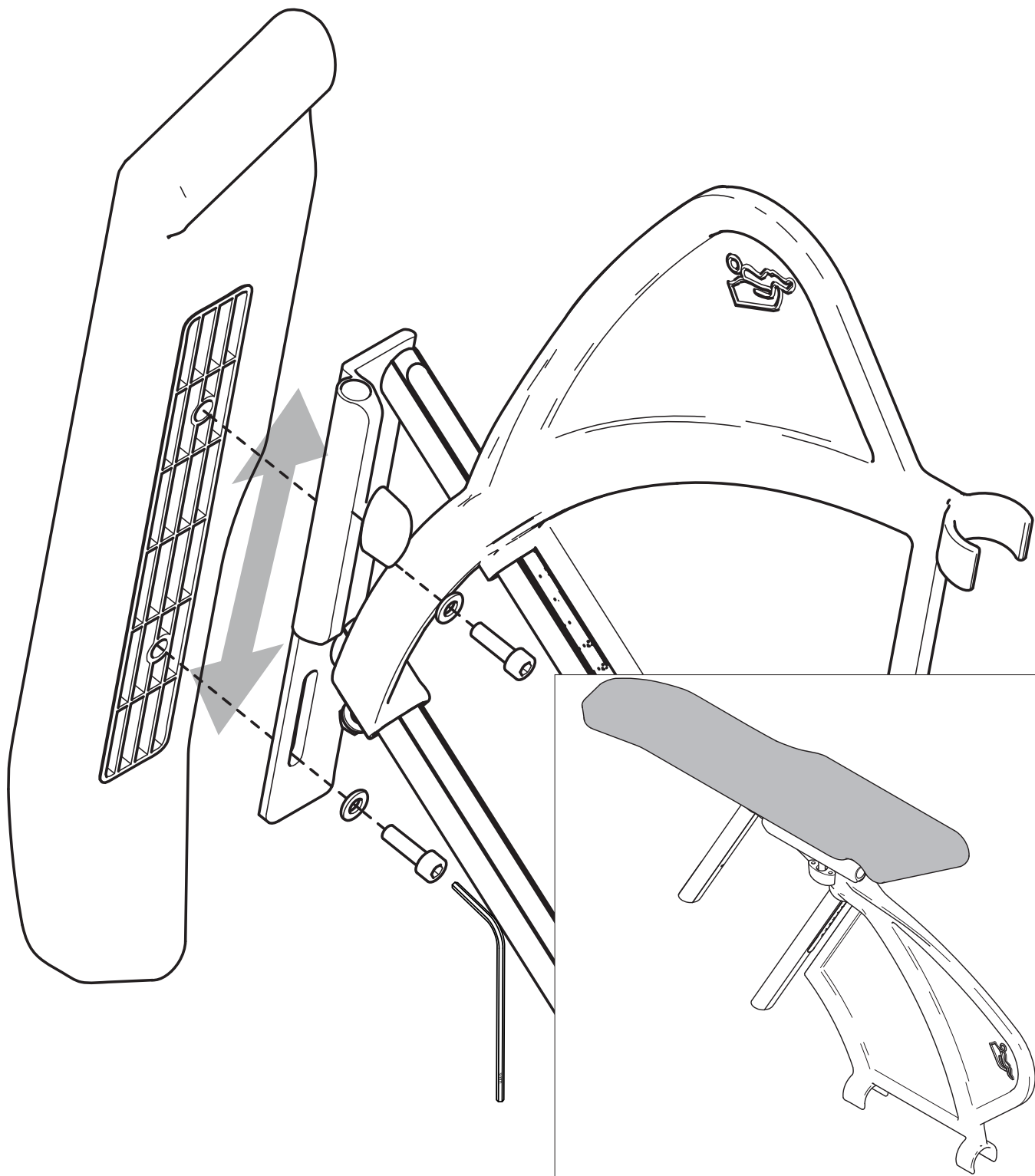
1 Pad for swing up and height adjustable armrest, Exigo 20



2 Pad for detachable and height adjustable armrest, Exigo 20 and Exigo 30



3 Pad for armrest, Emineo



Sunrise Medical HCM B.V.
Vossenbeemd 104
5705 CL Helmond
The Netherlands

T: +31 (0)492 593 888
customerservice@sunrisemedical.nl
www.SunriseMedical.eu