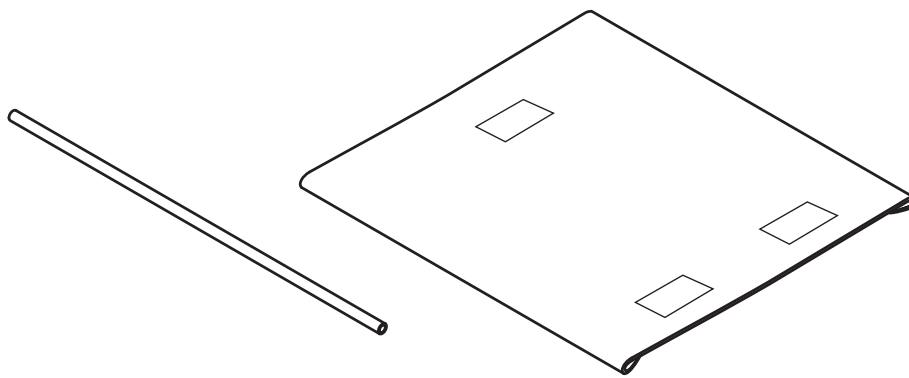


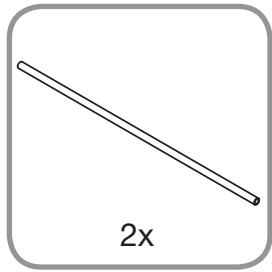
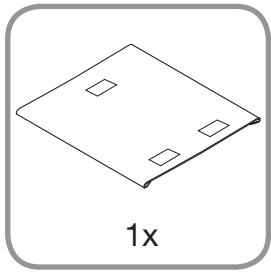
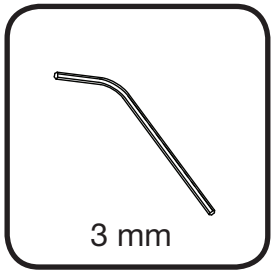
## ASSEMBLY INSTRUCTION

# Seat sling/Nylon tube

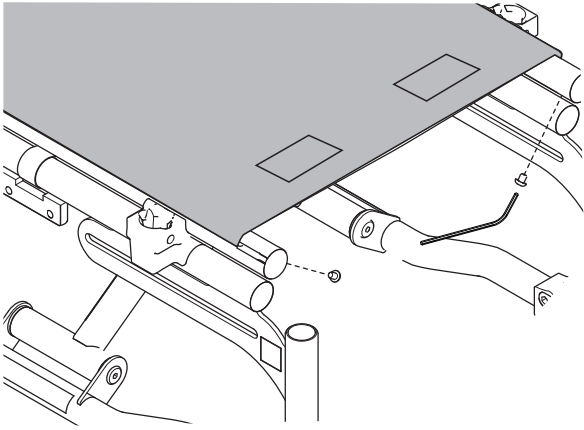


Description	Article number
Seat sling SW 36	<input type="checkbox"/> 3344120
Seat sling SW 39	<input type="checkbox"/> 3344130
Seat sling SW 42	<input type="checkbox"/> 3344140
Seat sling SW 45	<input type="checkbox"/> 3344150
Seat sling SW 48	<input type="checkbox"/> 3344160
Seat sling SW 51	<input type="checkbox"/> 3344170
Nylon tube 40 cm	<input type="checkbox"/> 3004103
Nylon tube 45 cm	<input type="checkbox"/> 3004102
Nylon tube 50 cm	<input type="checkbox"/> 3004101

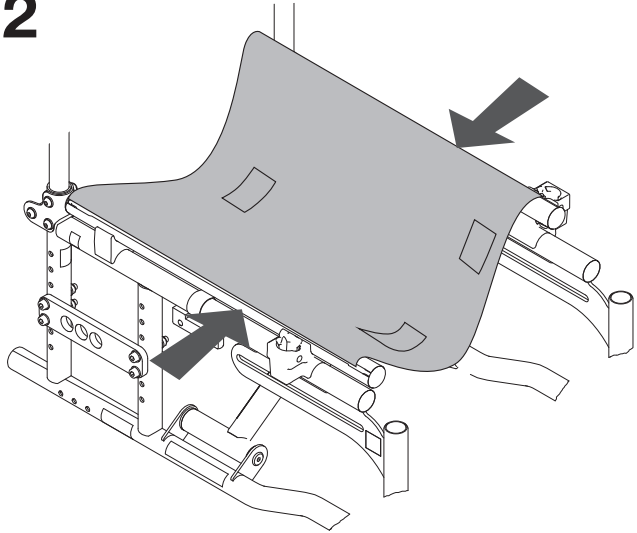
 **Breezy**<sup>®</sup>



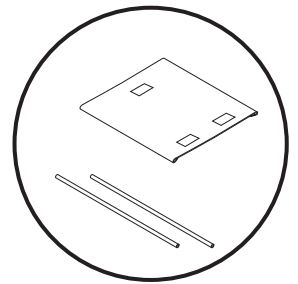
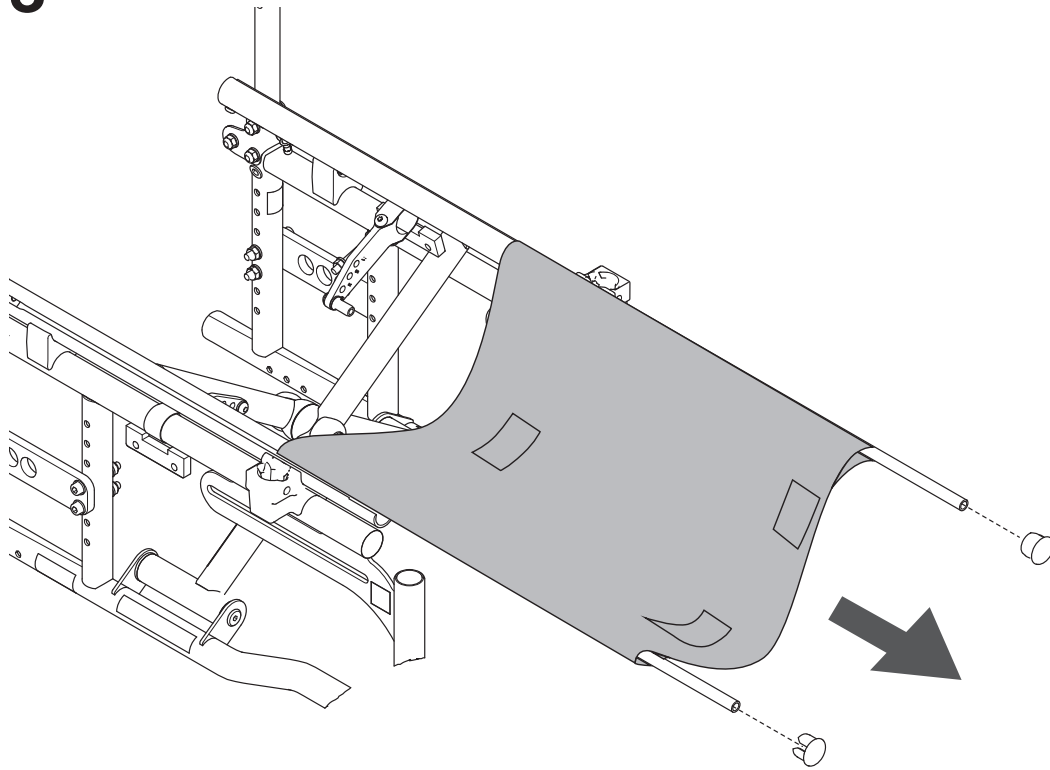
**1**

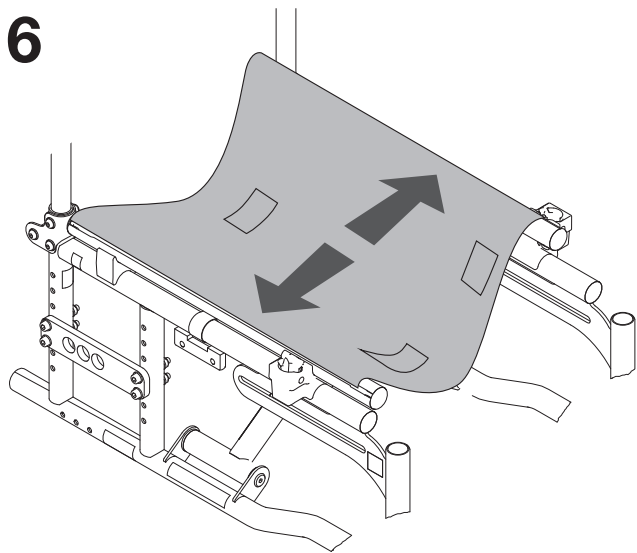
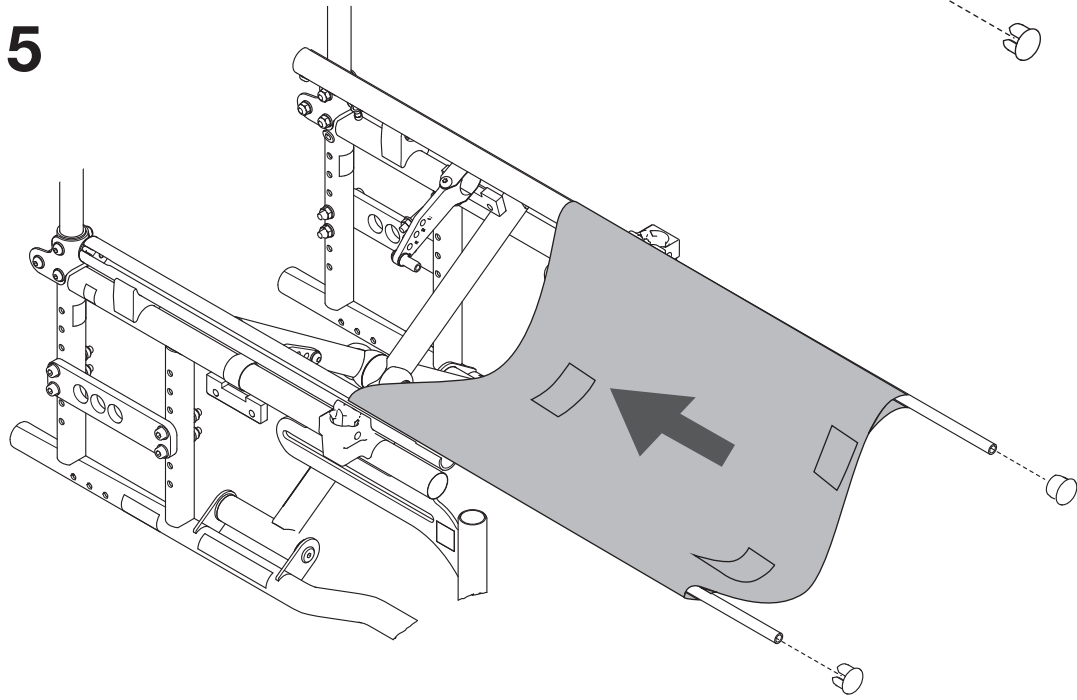
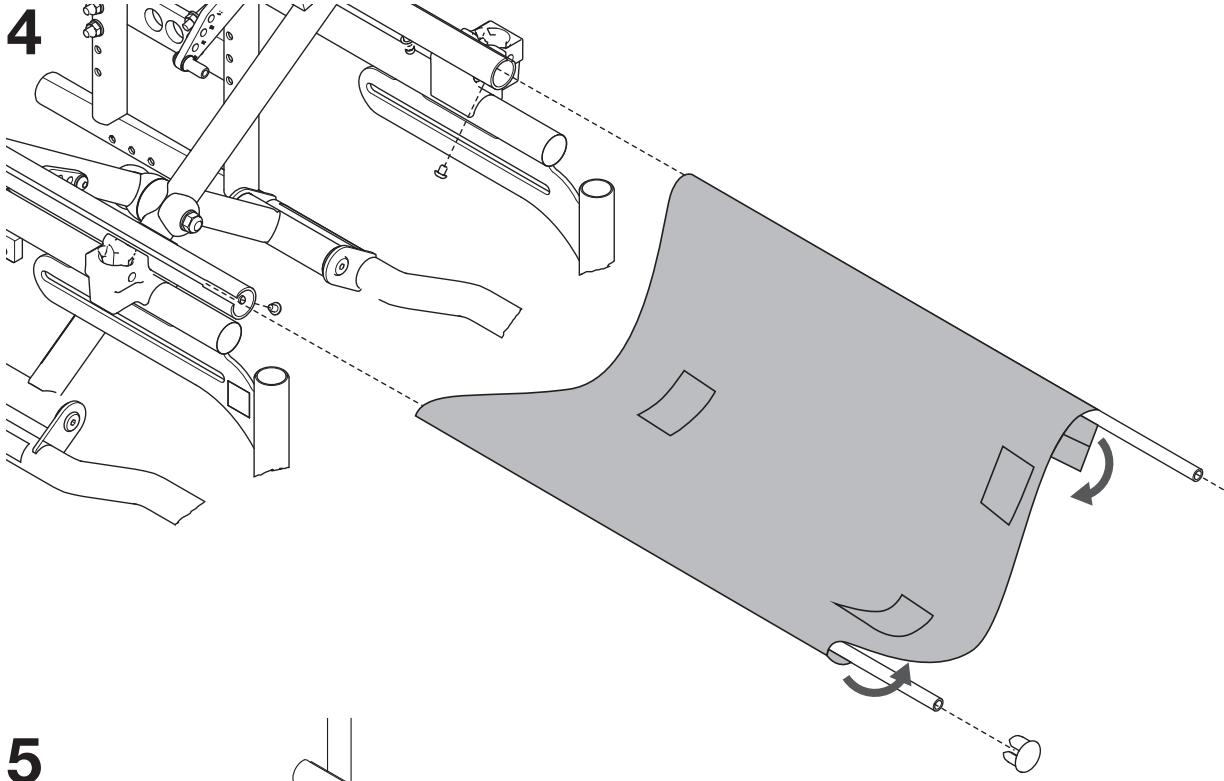


**2**

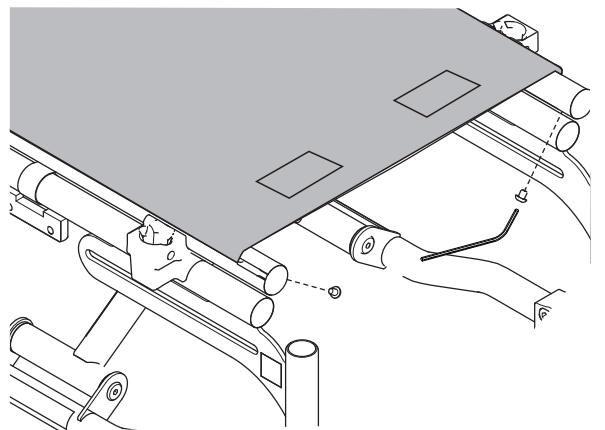


**3**

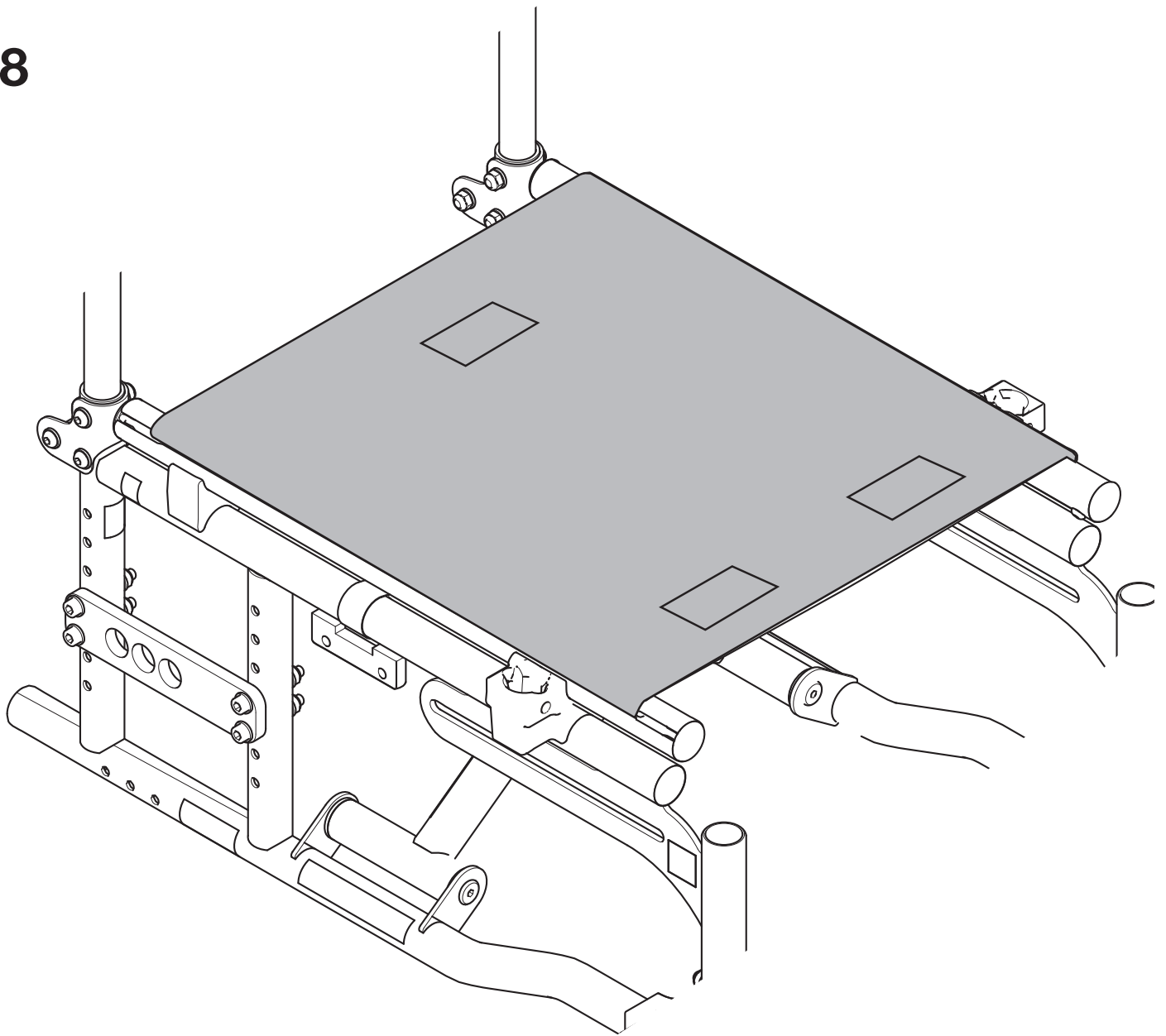




**7**



8



Sunrise Medical HCM B.V.  
Vossenbeemd 104  
5705 CL Helmond  
The Netherlands

T: +31 (0)492 593 888  
customerservice@sunrisemedical.nl  
www.SunriseMedical.eu