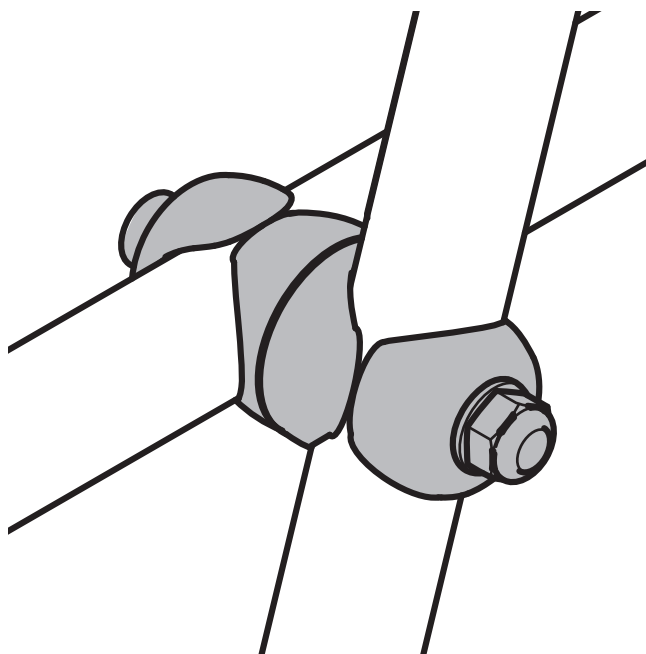


ASSEMBLY INSTRUCTION

Centre fixing cross brace



Description

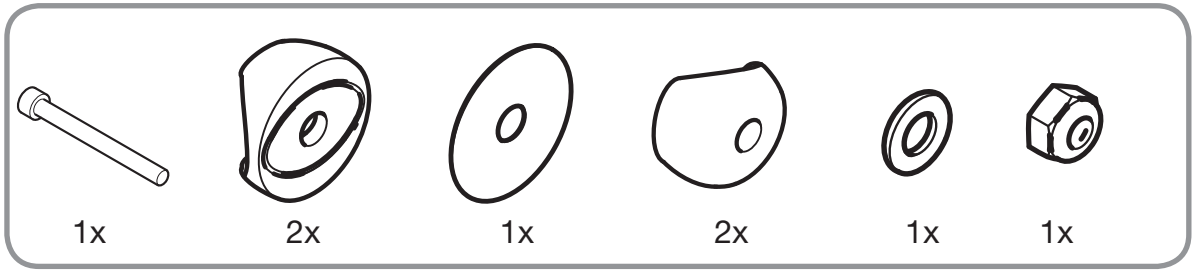
Centre fixing cross brace

Article number

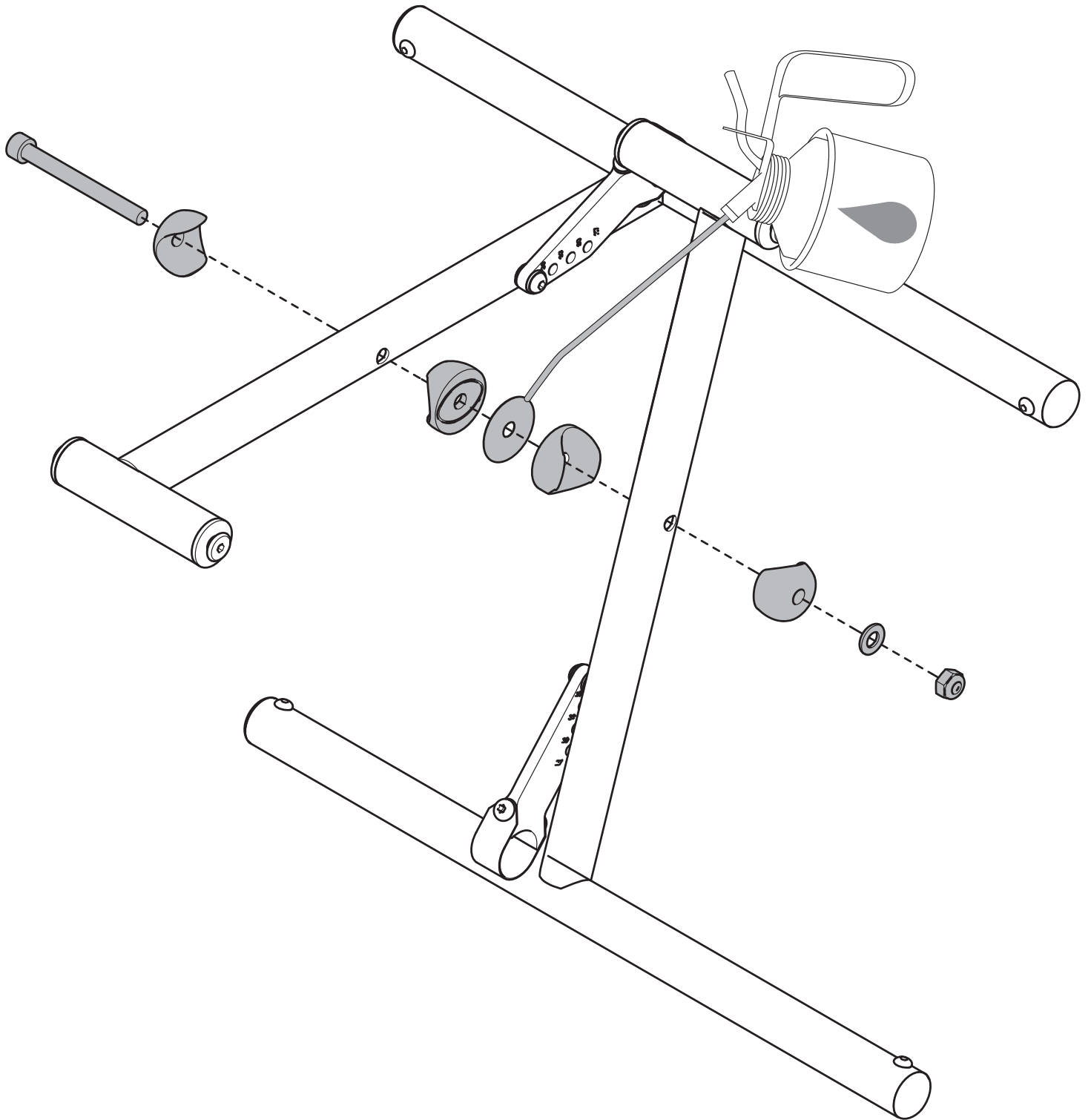


3102150

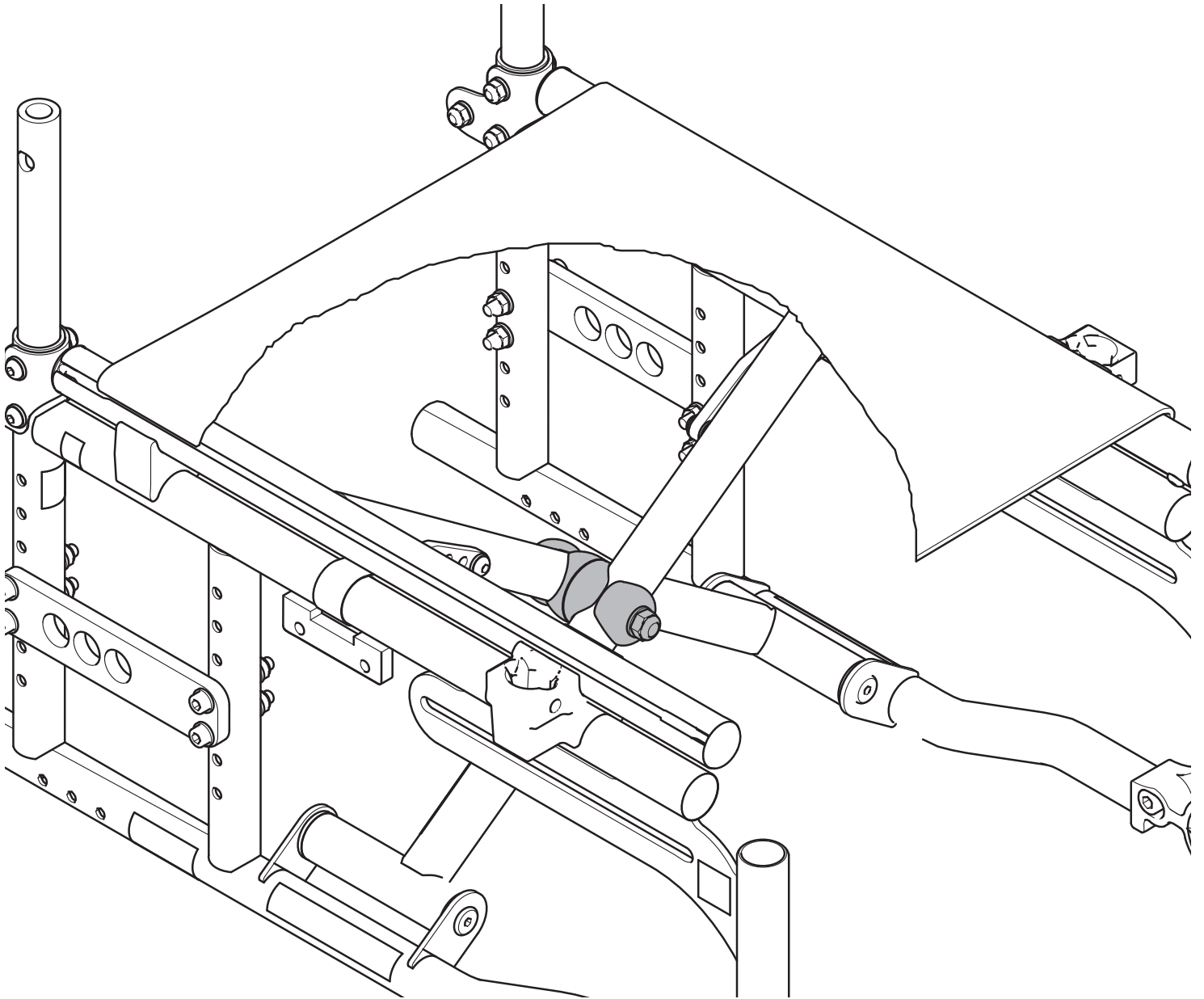




1



2





Sunrise Medical HCM B.V.
Vossenbeemd 104
5705 CL Helmond
The Netherlands

T: +31 (0)492 593 888
customerservice@sunrisemedical.nl
www.SunriseMedical.eu