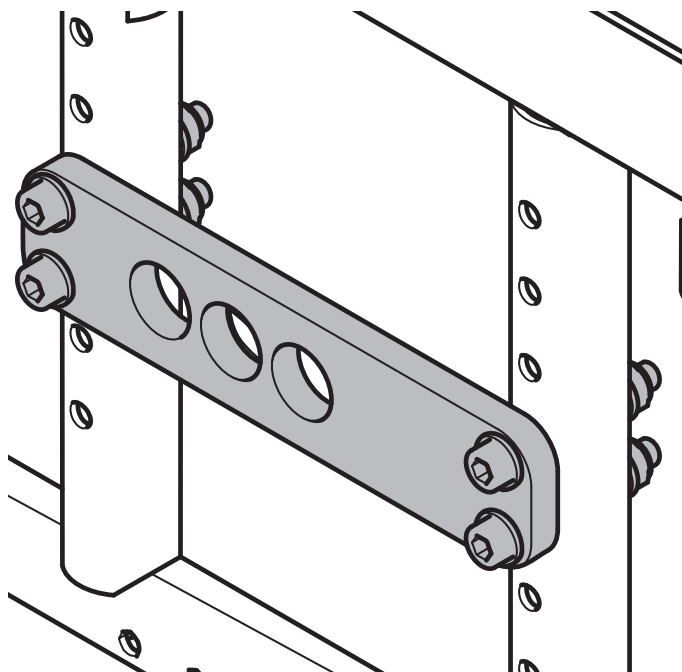


ASSEMBLY INSTRUCTION

Wheelbase



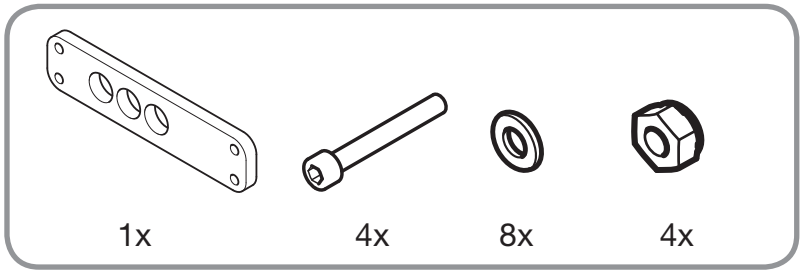
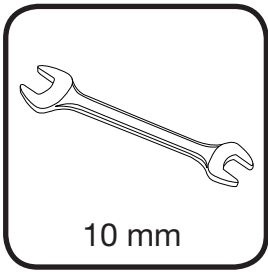
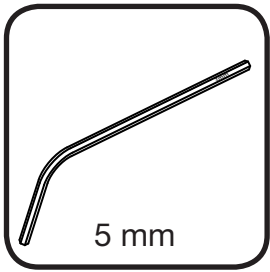
Description

Wheelbase

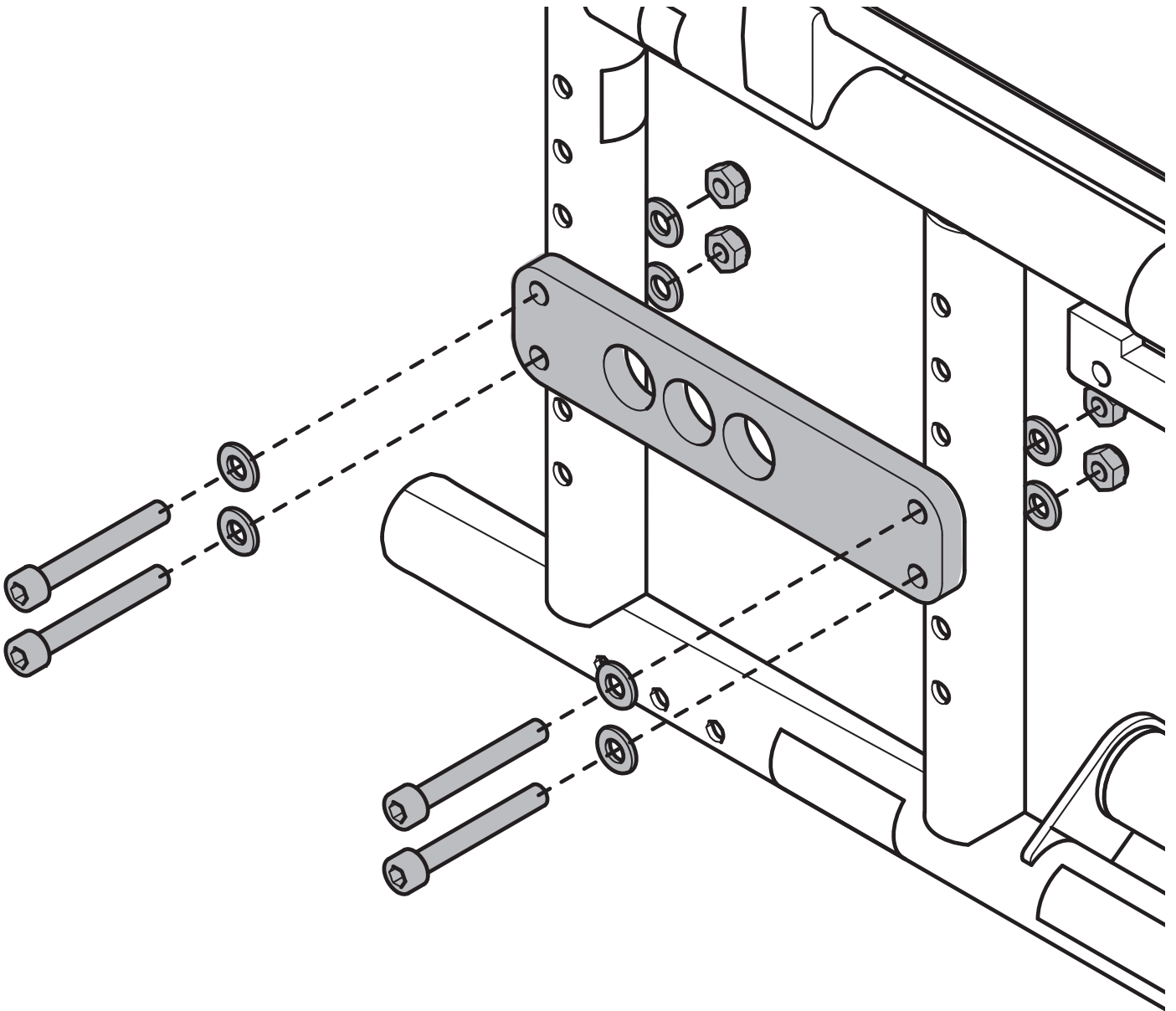
Article number

3007055

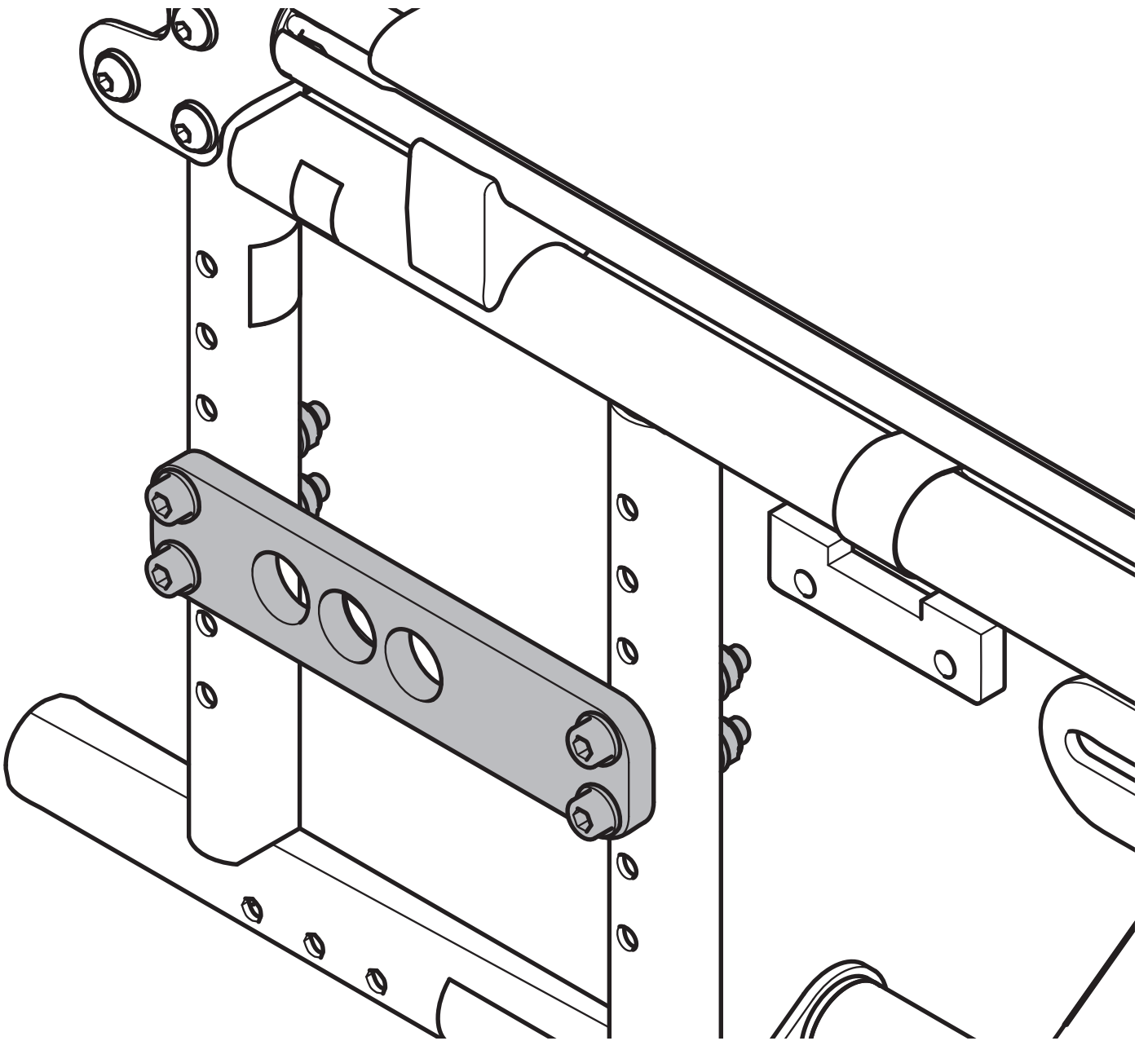




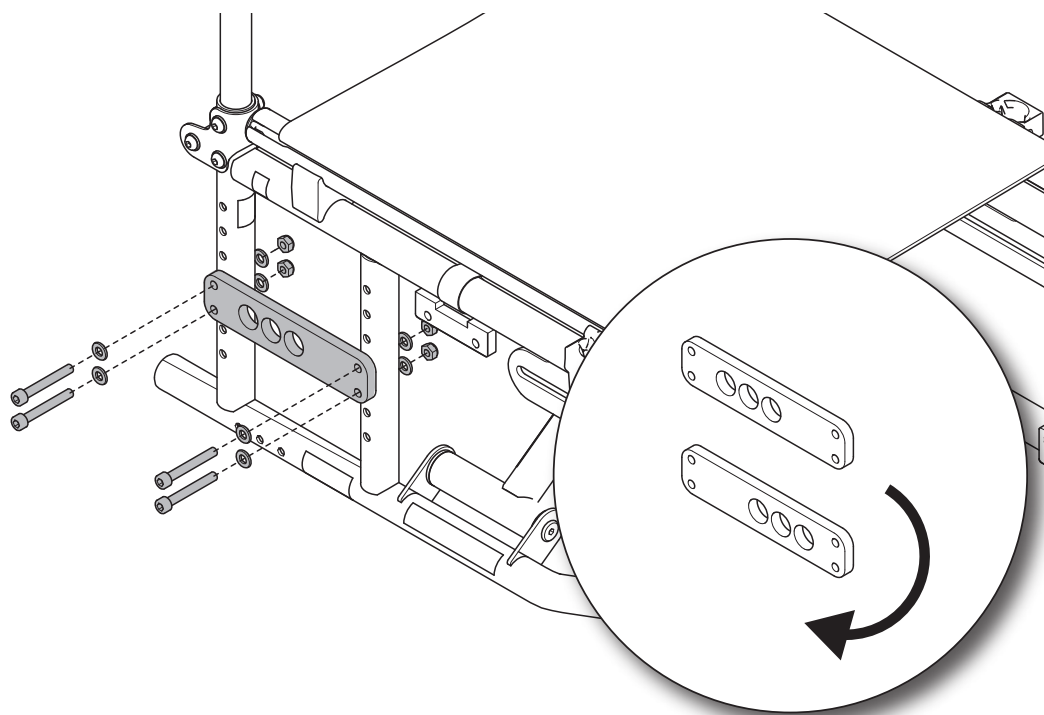
1



2



(2)



Sunrise Medical HCM B.V.
Vossenbeemd 104
5705 CL Helmond
The Netherlands

T: +31 (0)492 593 888
customerservice@sunrisemedical.nl
www.SunriseMedical.eu