

ASSEMBLY INSTRUCTION
Back inner tube



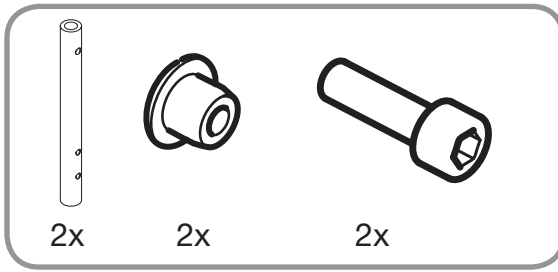
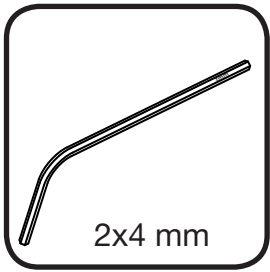
Description

Back inner tube - set

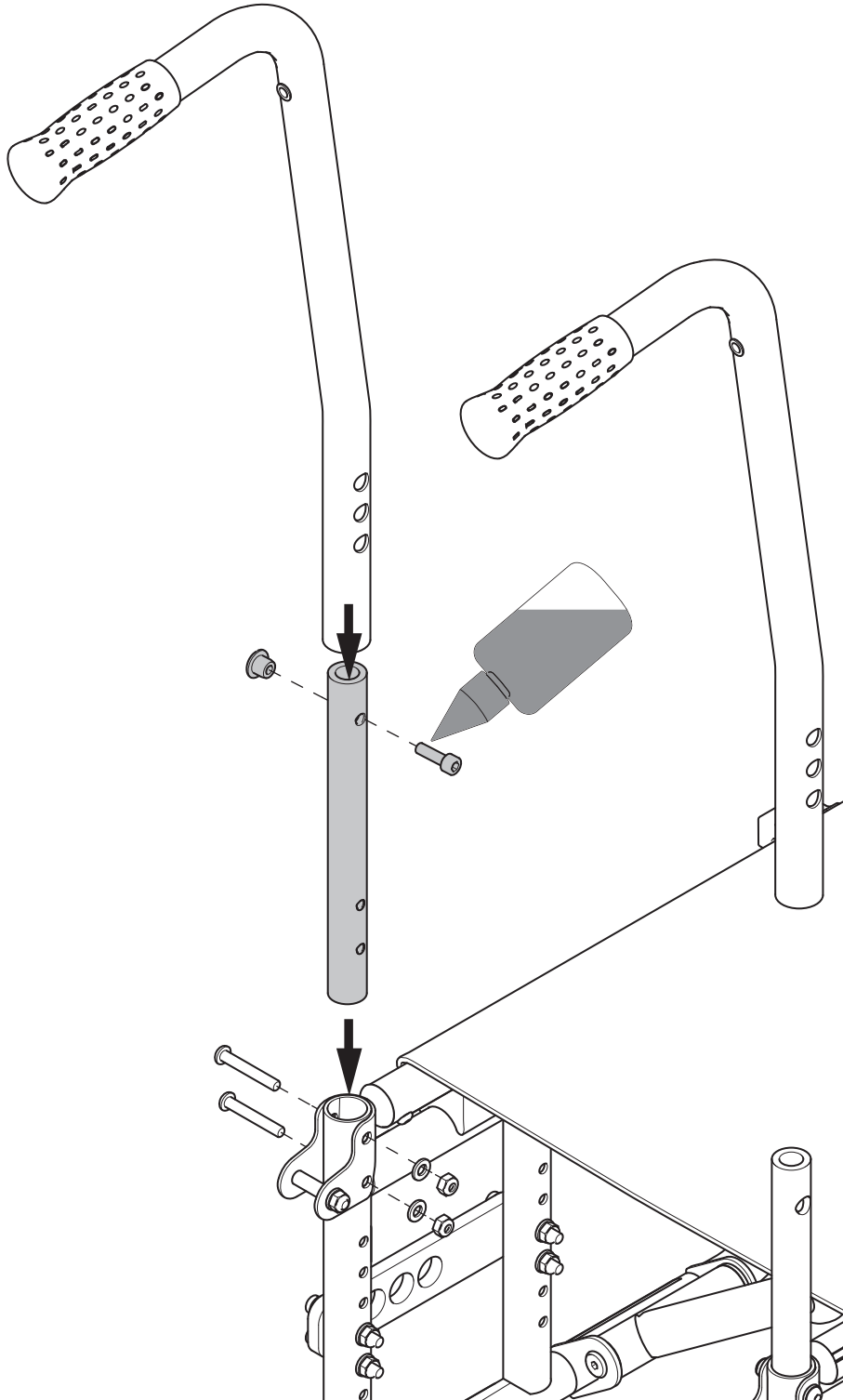
Article number

3345120

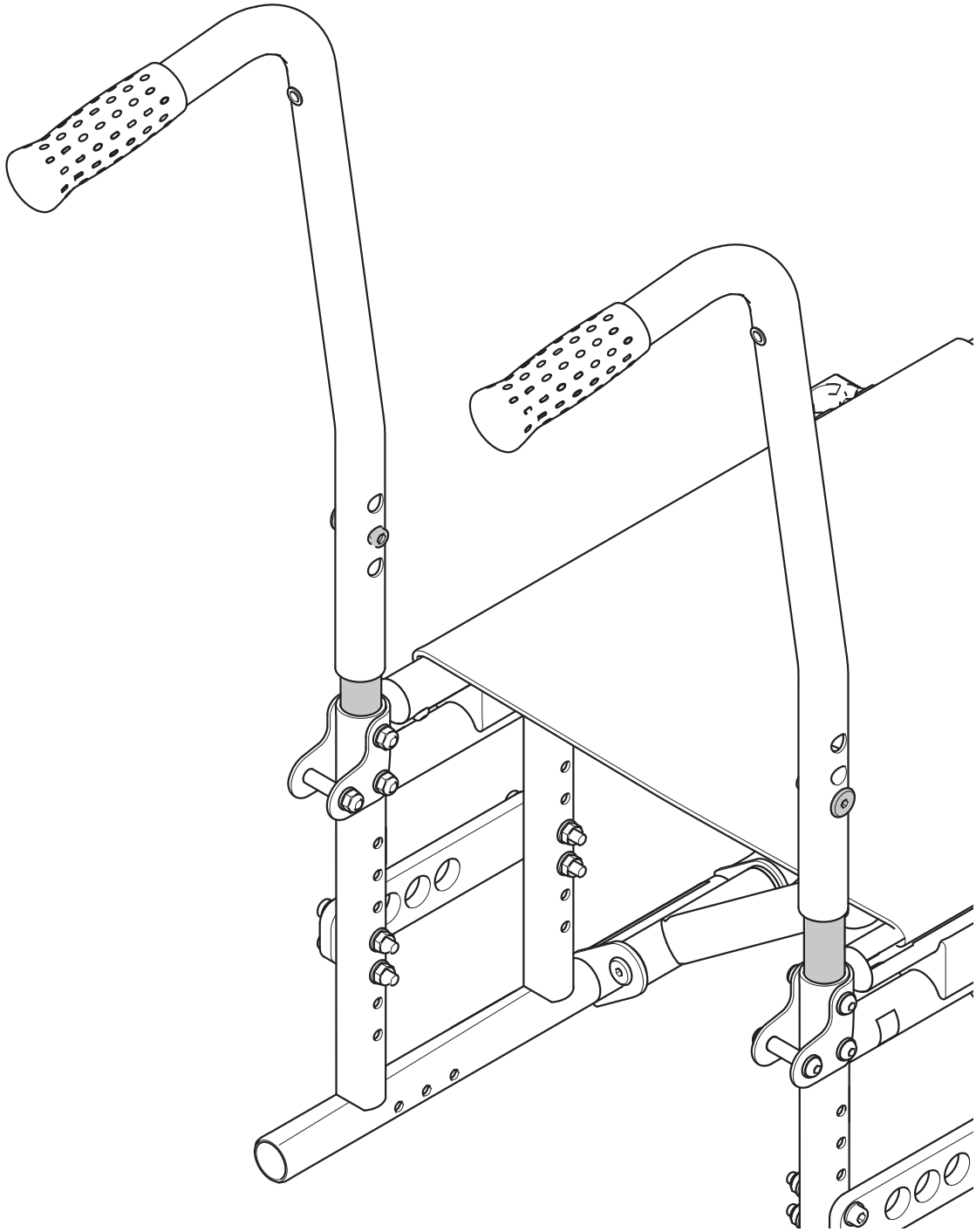




1



2





Sunrise Medical HCM B.V.
Vossenbeemd 104
5705 CL Helmond
The Netherlands

T: +31 (0)492 593 888
customerservice@sunrisemedical.nl
www.SunriseMedical.eu