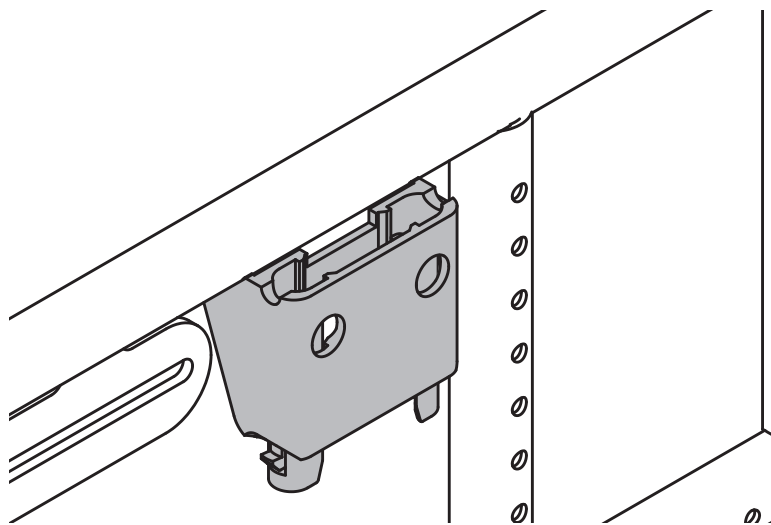


ASSEMBLY INSTRUCTION

Armrest fitting



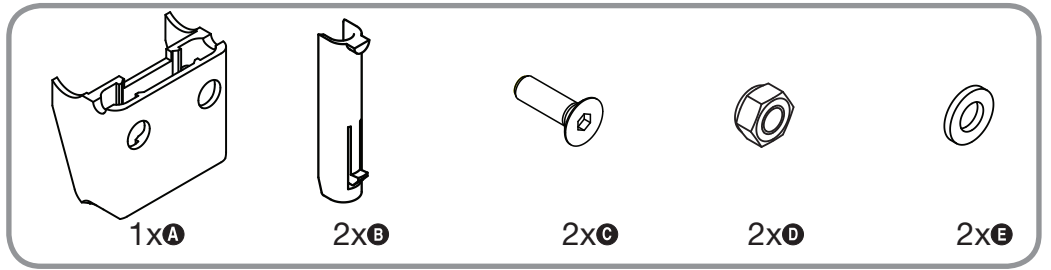
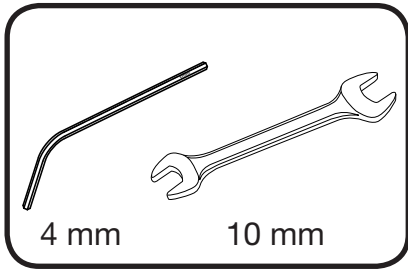
Description

Armrest fitting

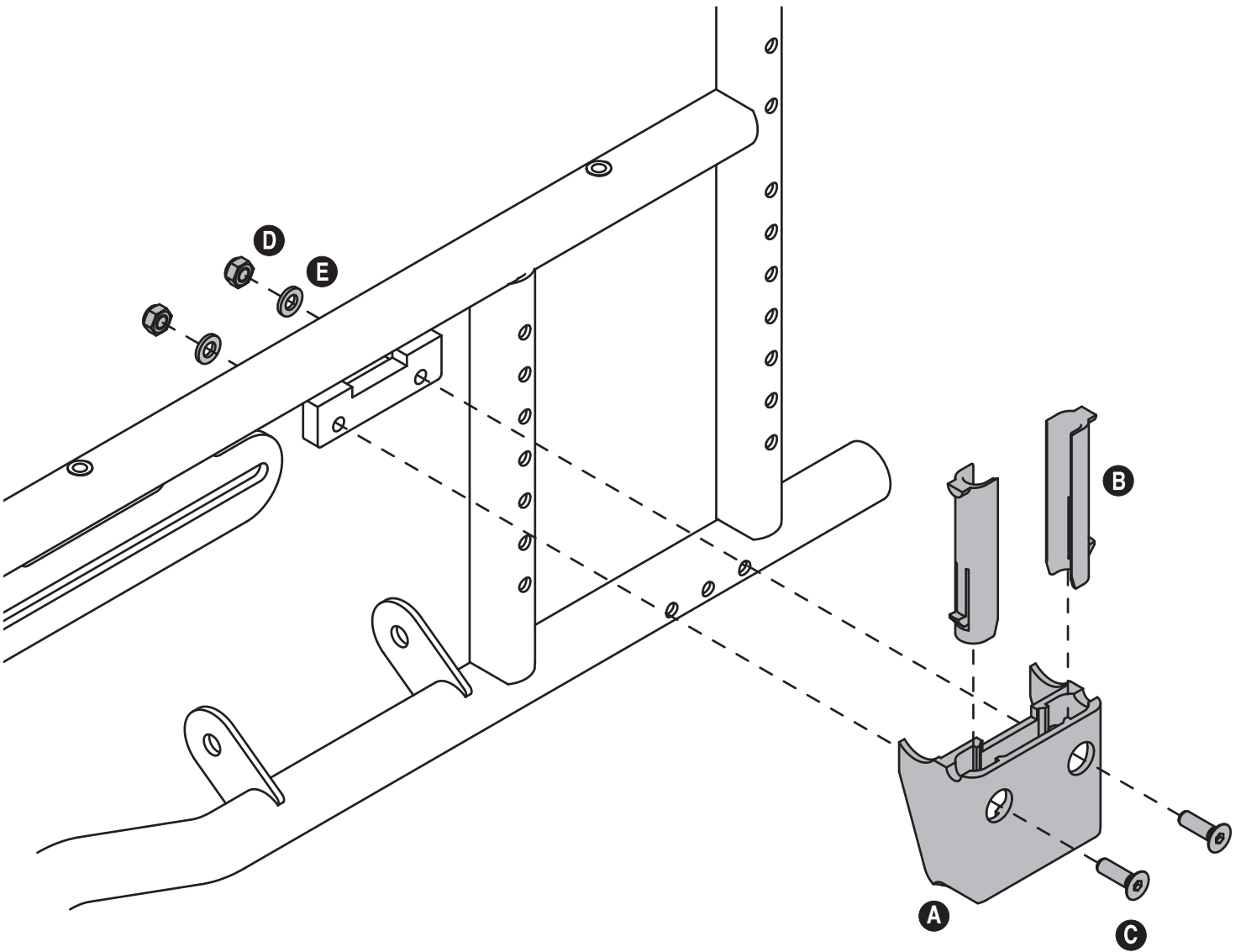
Article number

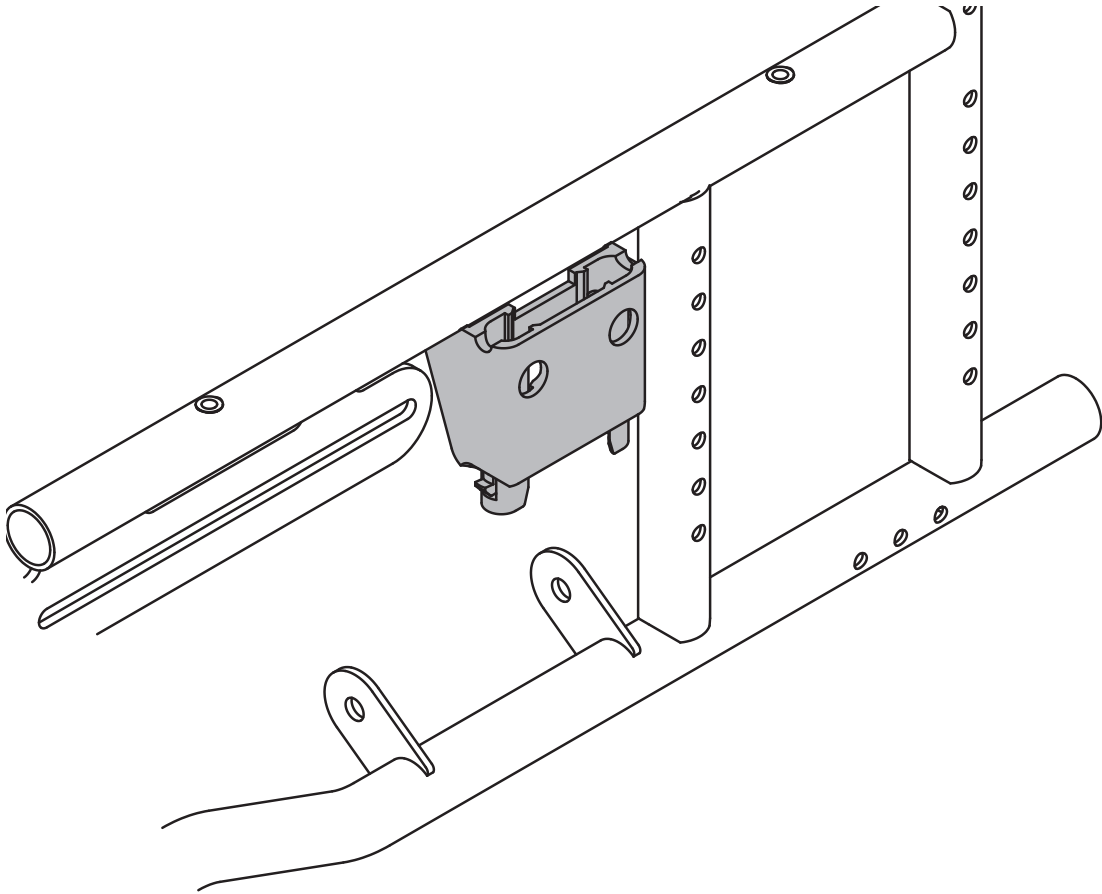
3346205





1







Sunrise Medical HCM B.V.
Vossenbeemd 104
5705 CL Helmond
The Netherlands

T: +31 (0)492 593 888
customerservice@sunrisemedical.nl
www.SunriseMedical.eu