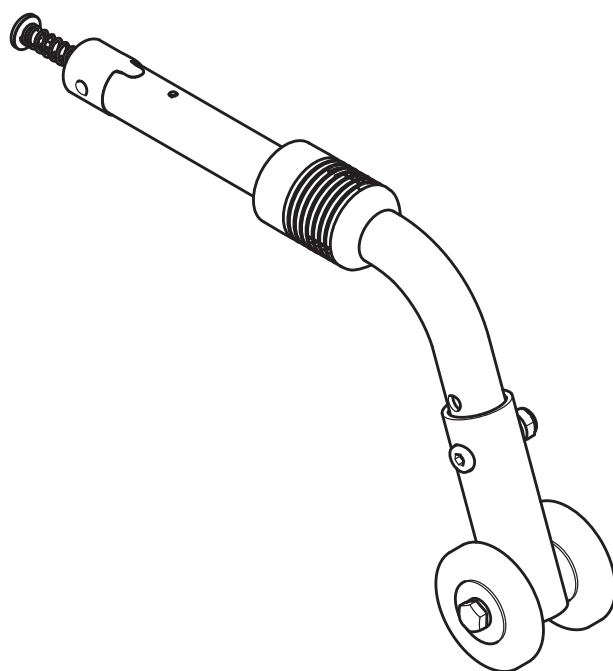


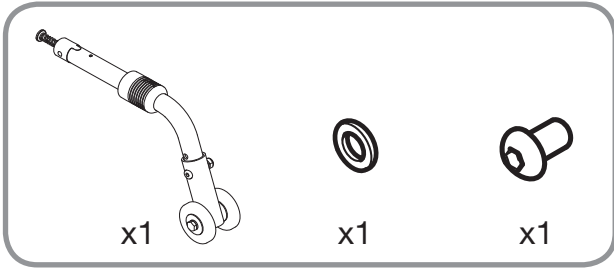
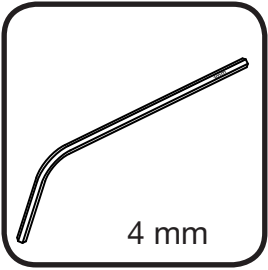
ASSEMBLY INSTRUCTION

Anti-tip

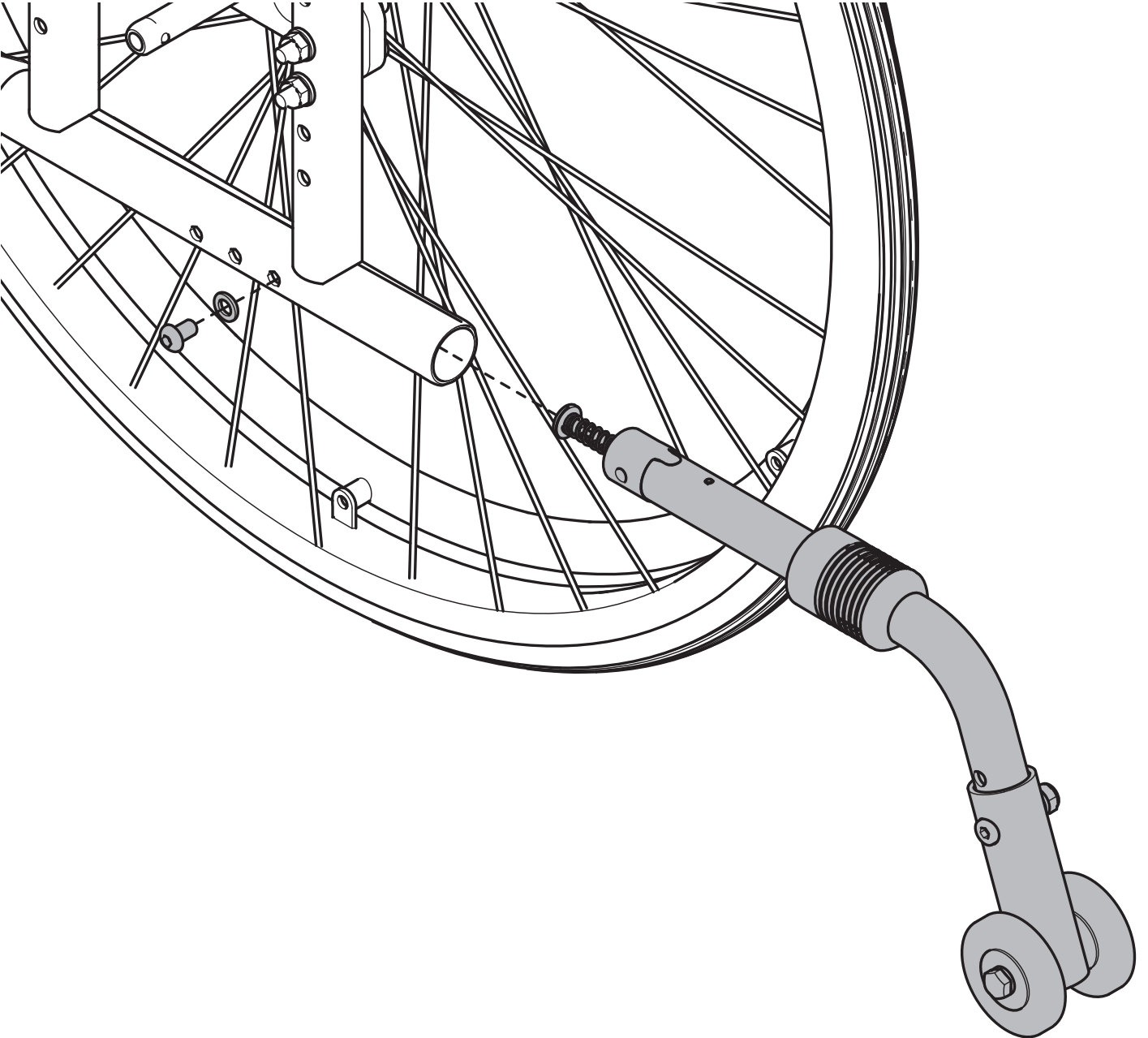


| Description | Article number |
|------------------------|----------------------------------|
| Anti-tip Short RHS=LHS | <input type="checkbox"/> 3009330 |
| Anti-tip Long RHS=LHS | <input type="checkbox"/> 3009335 |

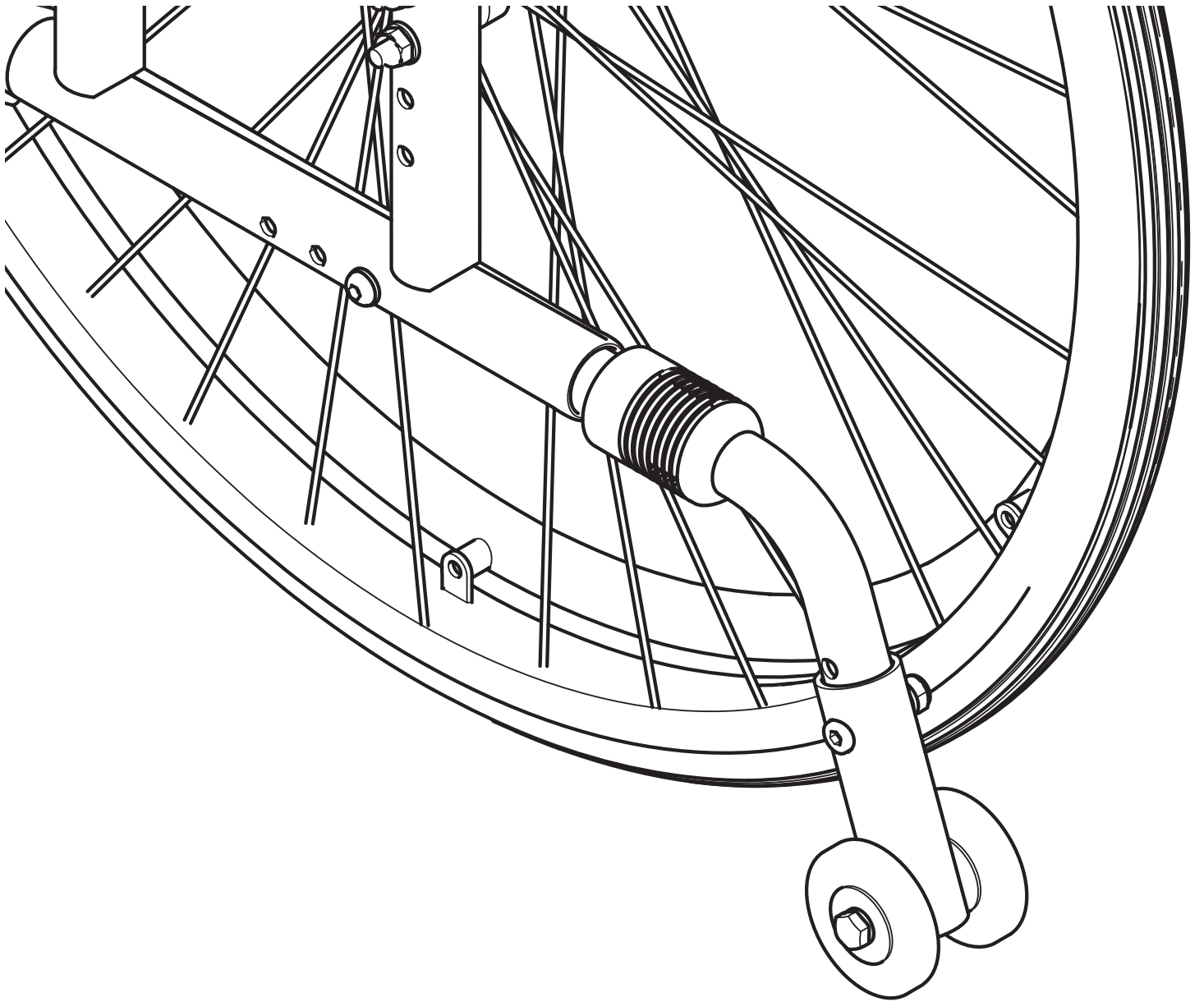




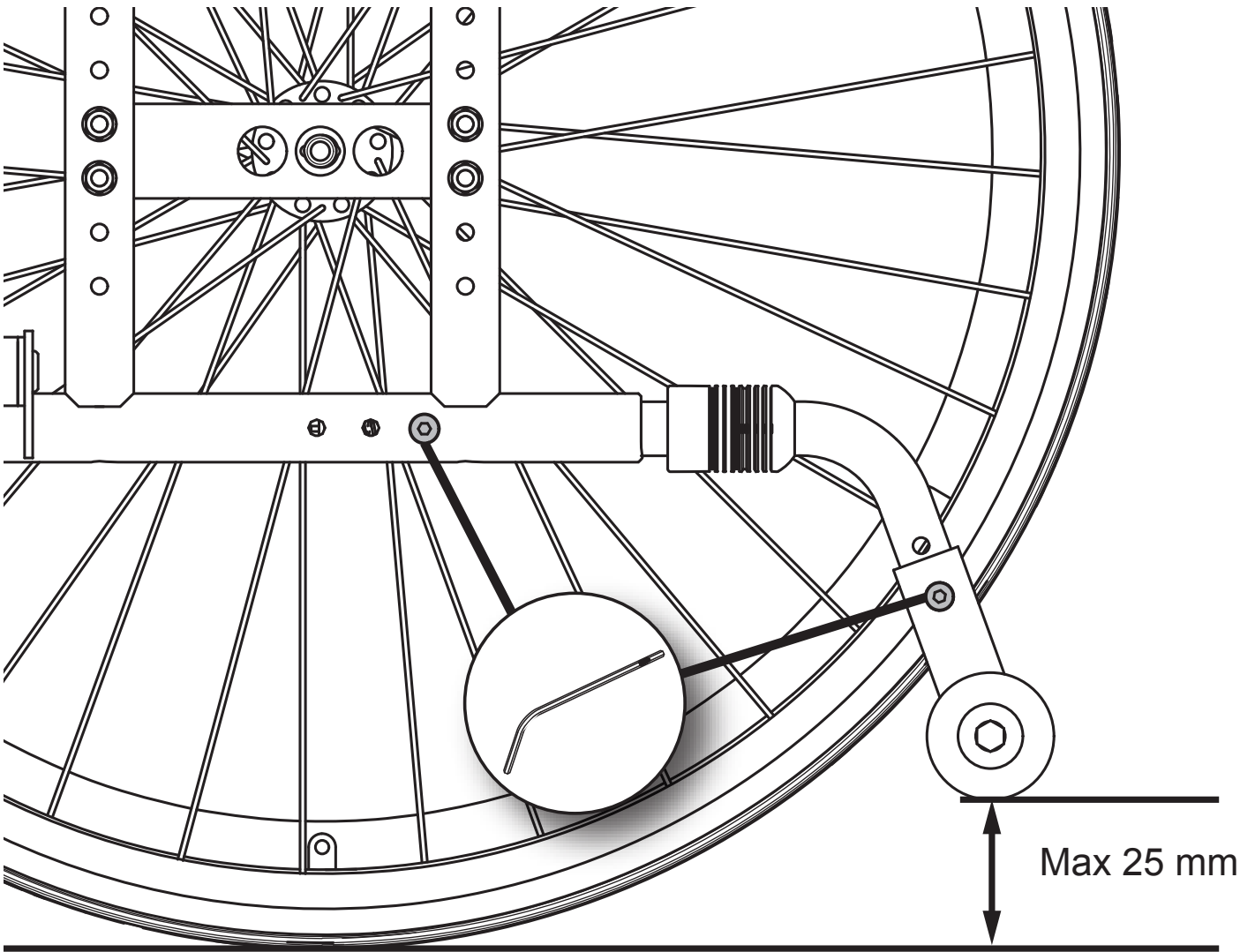
1



2



3



Sunrise Medical HCM B.V.
Vossenbeemd 104
5705 CL Helmond
The Netherlands

T: +31 (0)492 593 888
customerservice@sunrisemedical.nl
www.SunriseMedical.eu