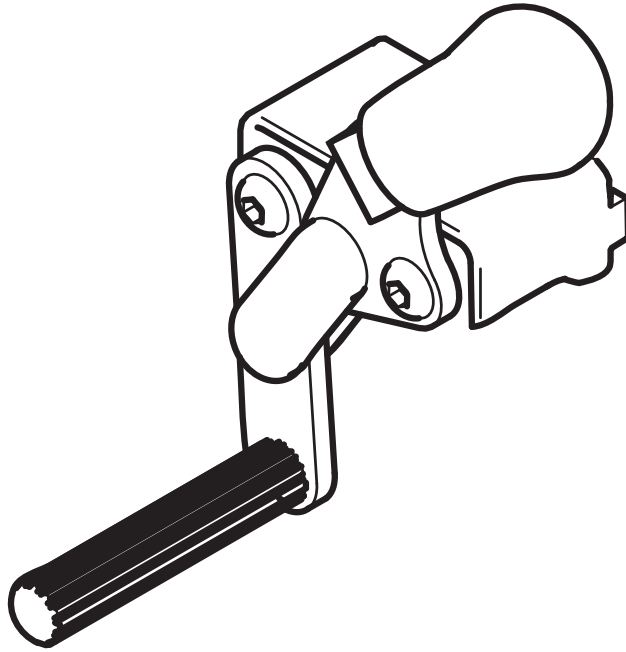


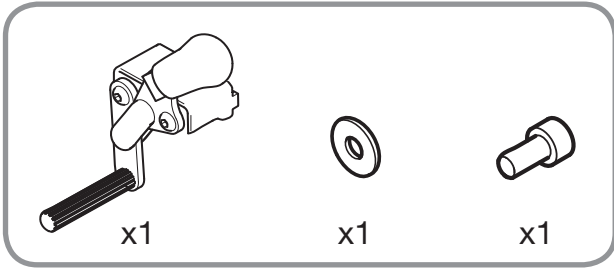
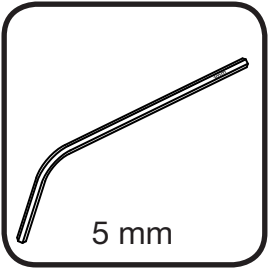
ASSEMBLY INSTRUCTION

# Brake - pull to lock

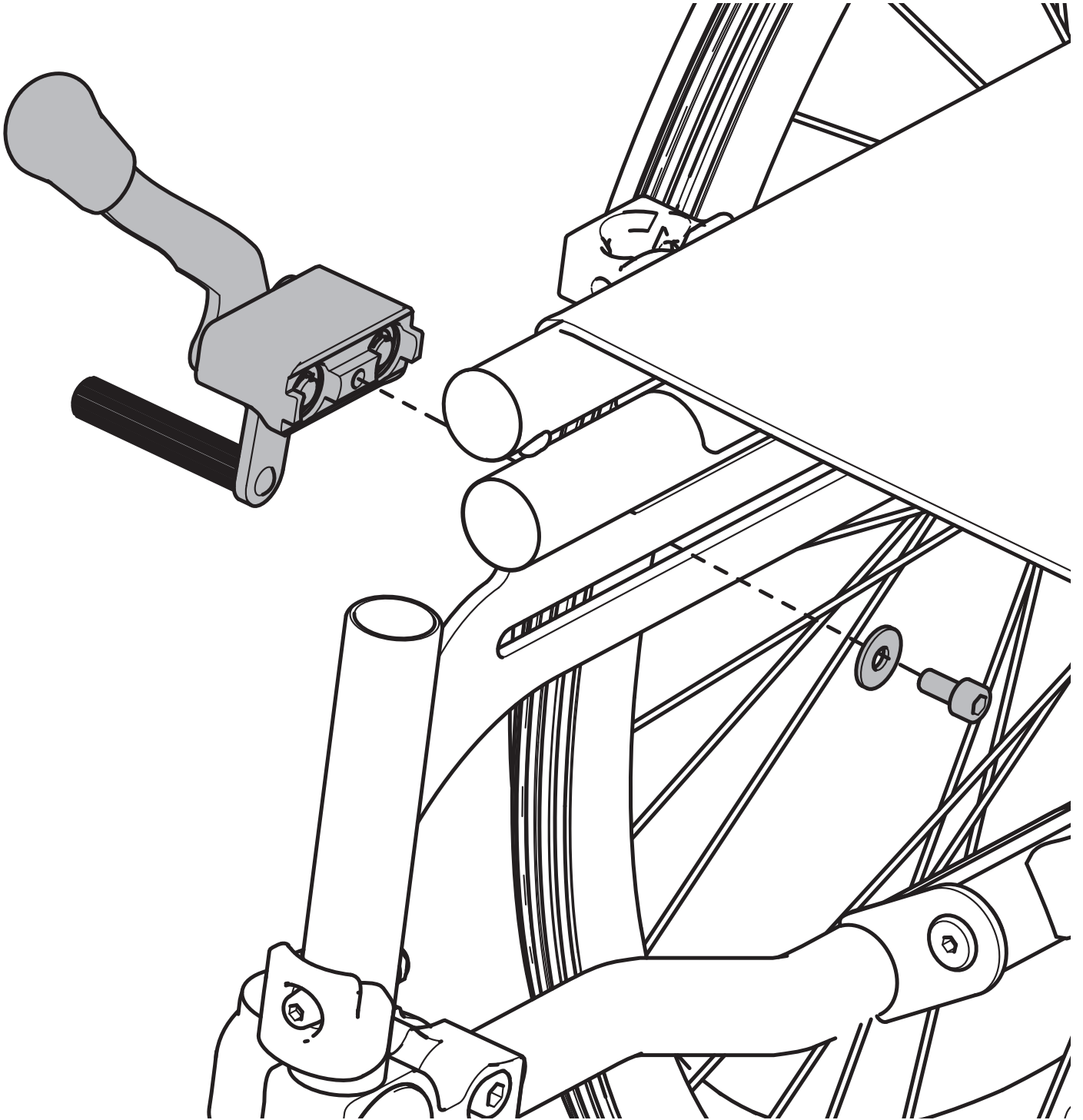


Description	Article number
Brake, pull to lock RHS	<input type="checkbox"/> 3008200
Brake, pull to lock LHS	<input type="checkbox"/> 3008201

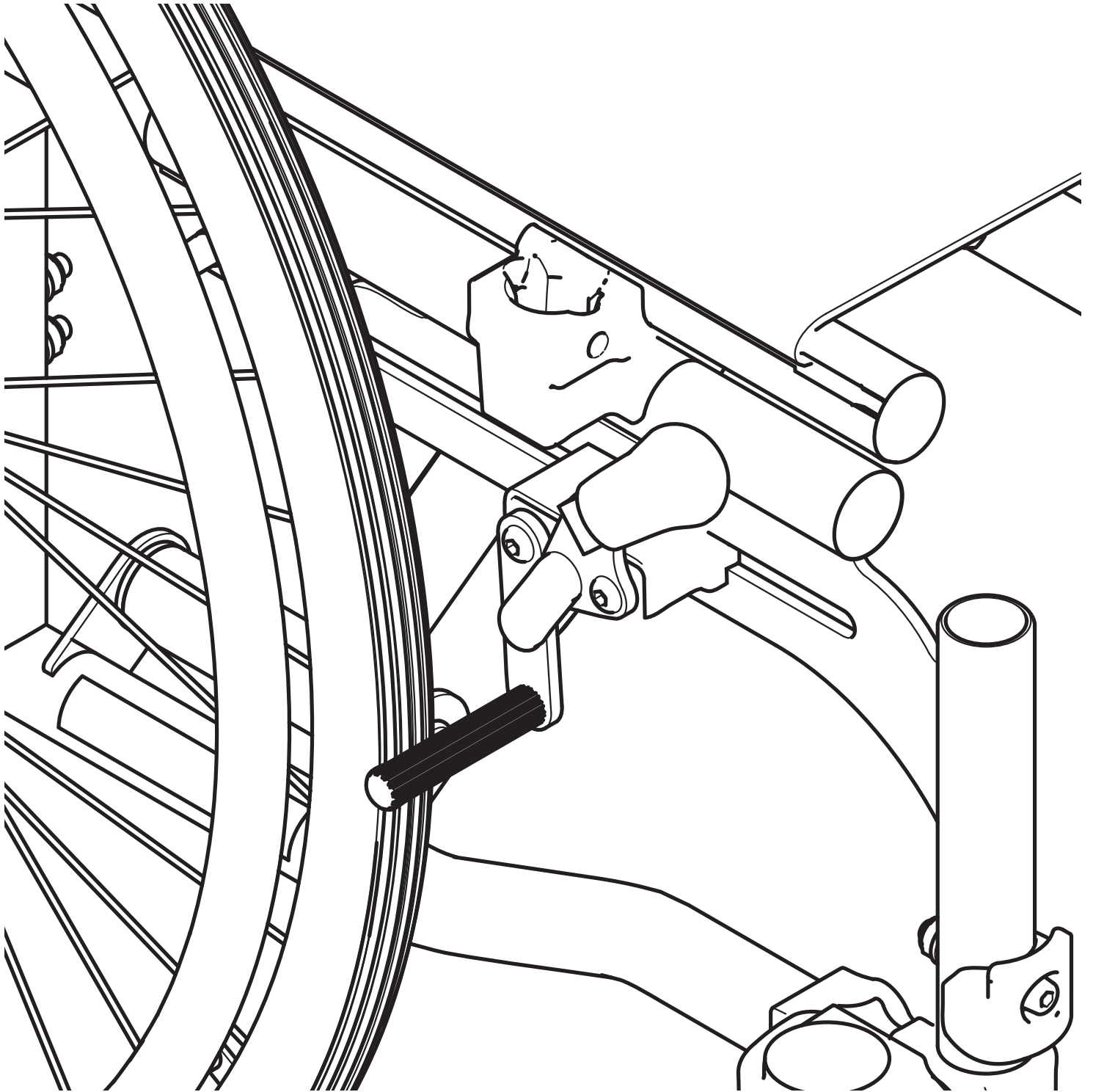




1



2





Sunrise Medical HCM B.V.  
Vossenbeemd 104  
5705 CL Helmond  
The Netherlands

T: +31 (0)492 593 888  
[customerservice@sunrisemedical.nl](mailto:customerservice@sunrisemedical.nl)  
[www.SunriseMedical.eu](http://www.SunriseMedical.eu)