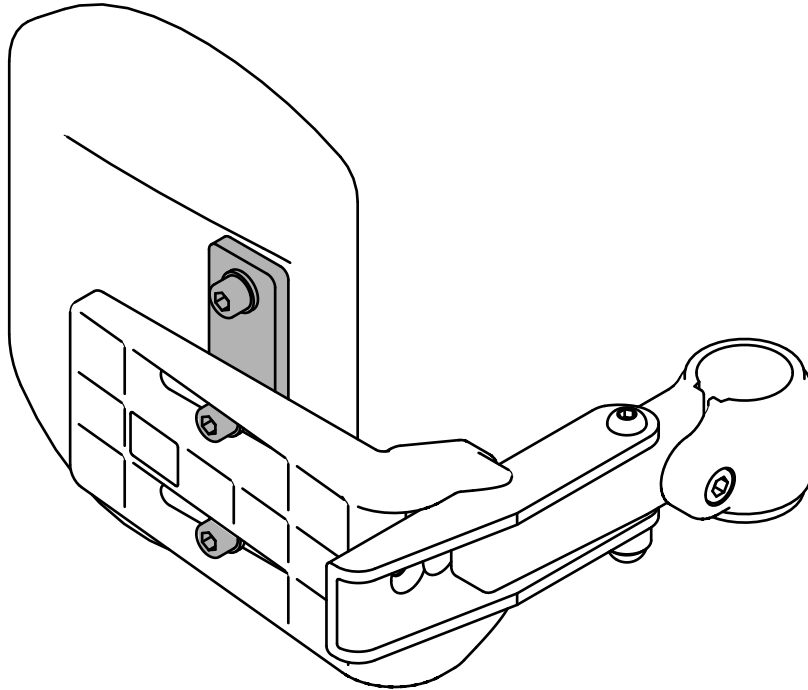


ASSEMBLY INSTRUCTION

Adaptor for calf support



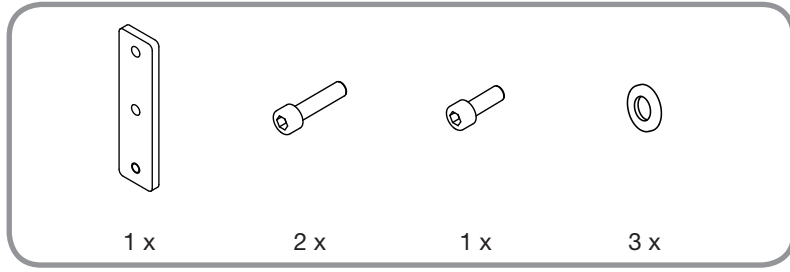
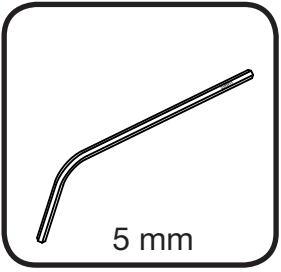
Description

Adaptor for calf support

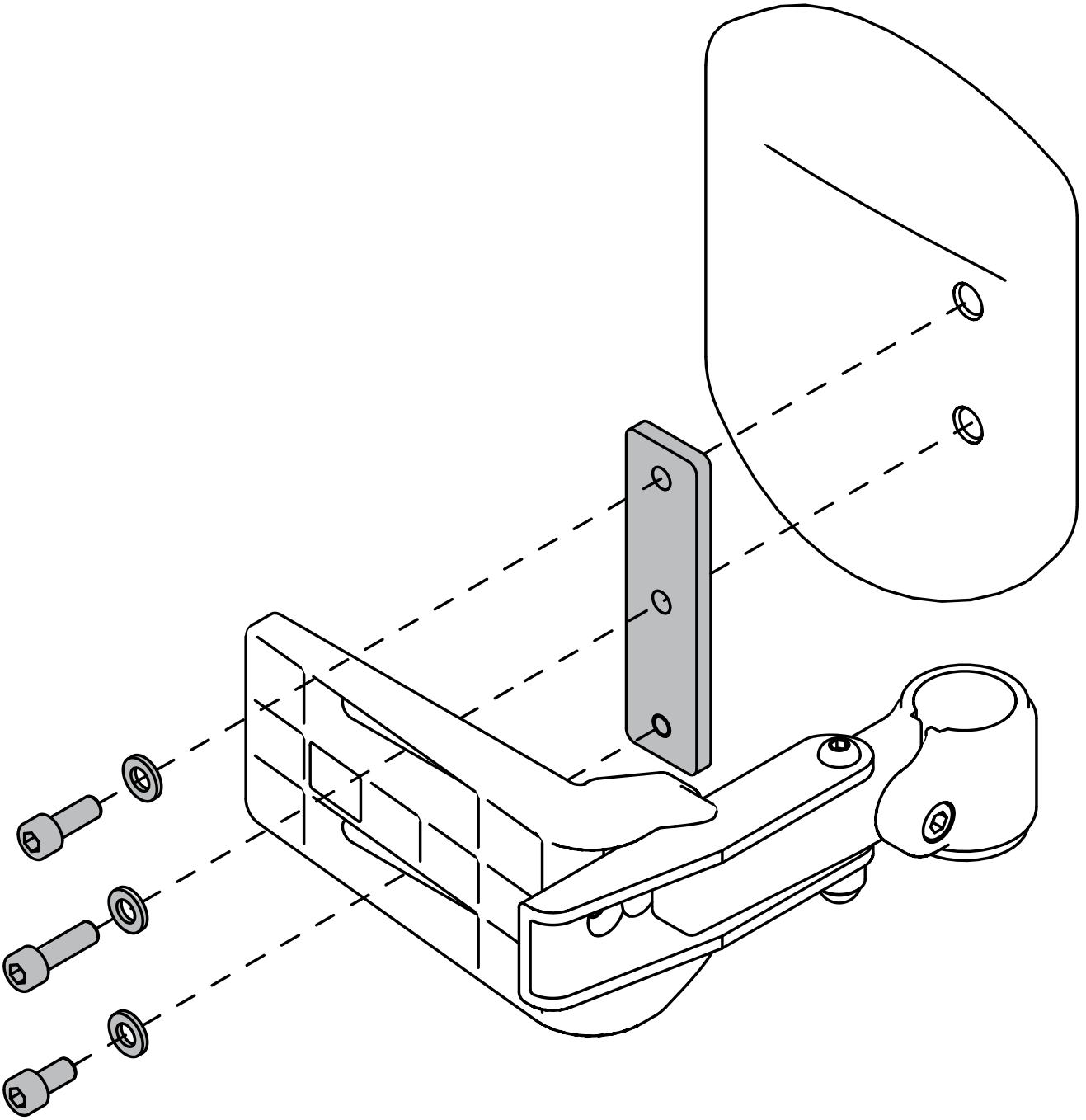
Article number

3013552

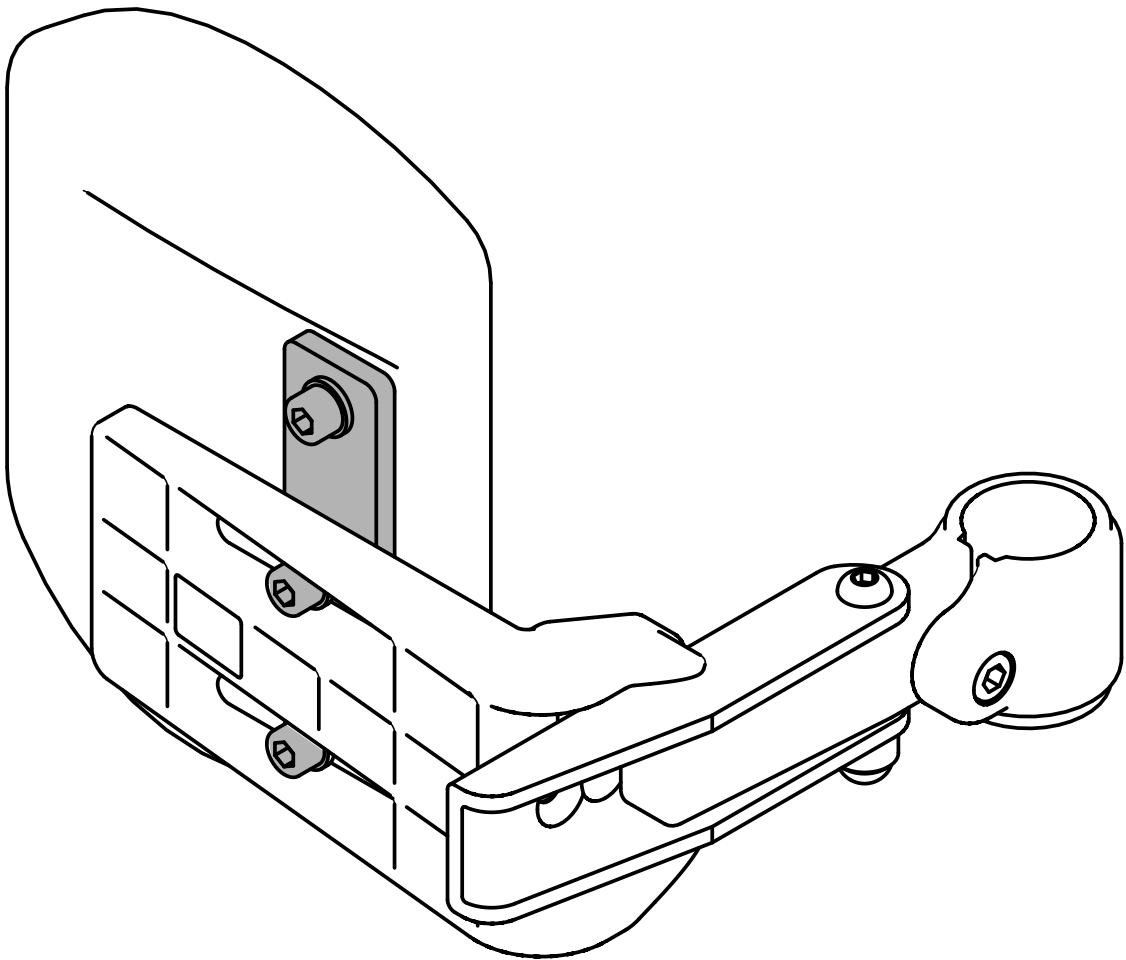




1



2





Sunrise Medical HCM B.V.
Vossenbeemd 104
5705 CL Helmond
The Netherlands

T: +31 (0)492 593 888
customerservice@sunrisemedical.nl
www.SunriseMedical.eu