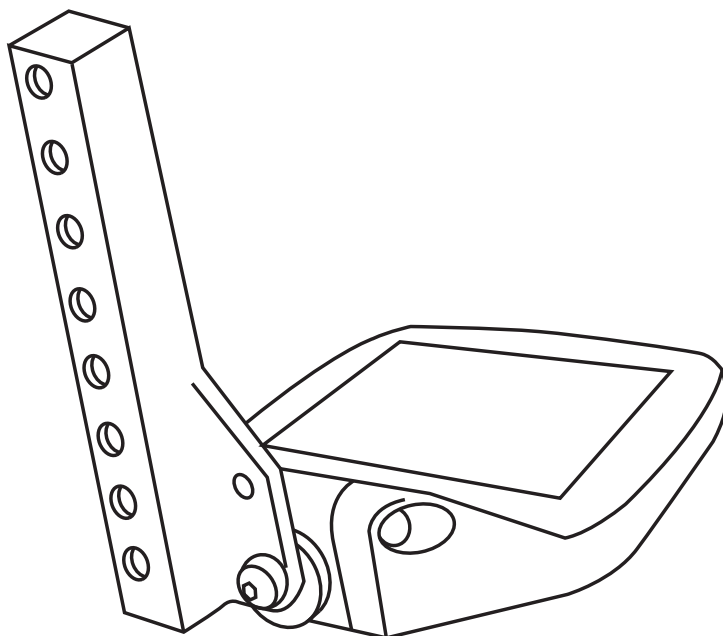


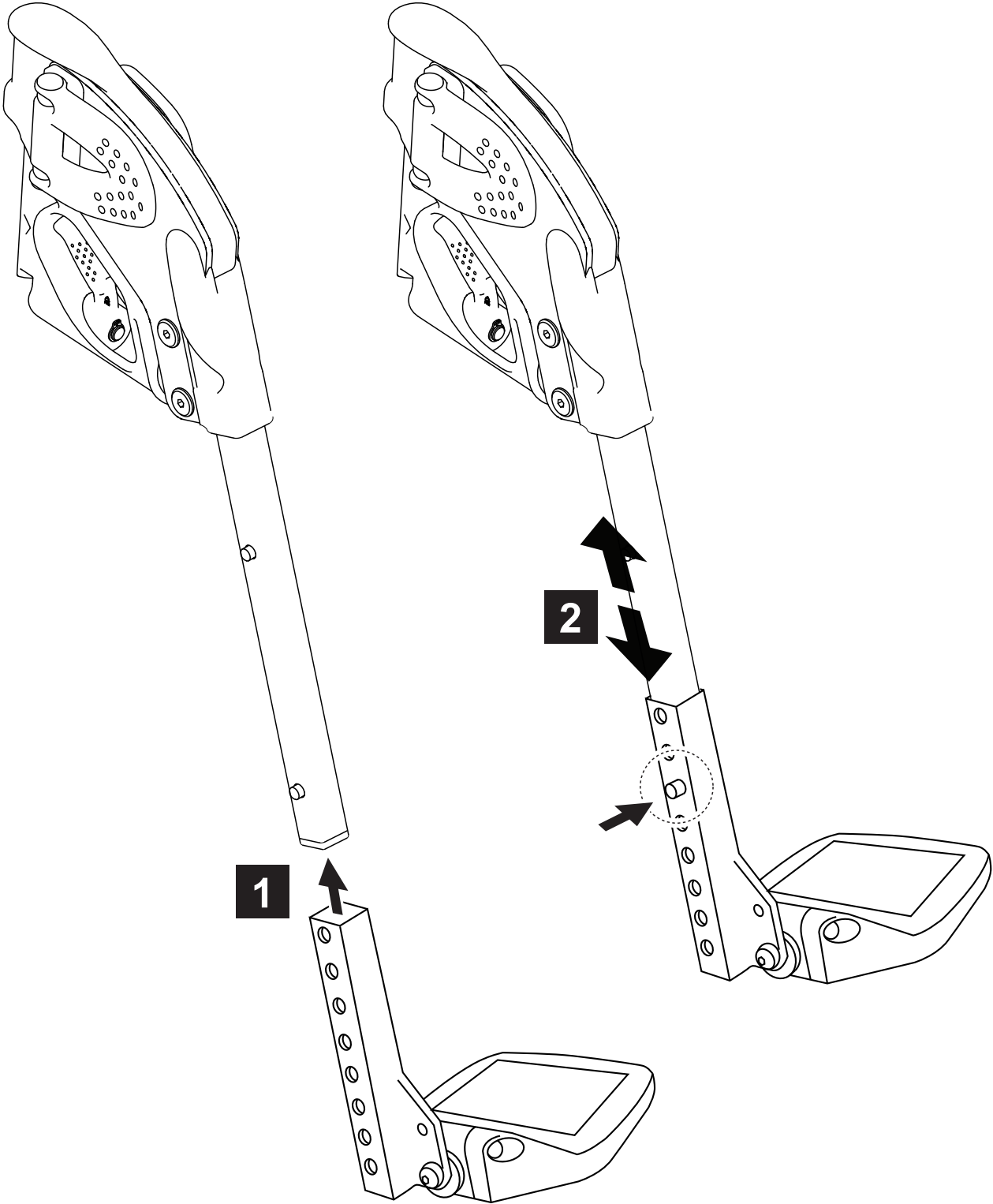
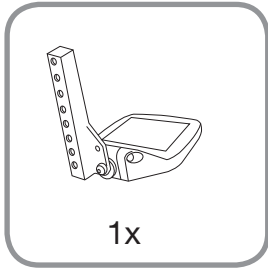
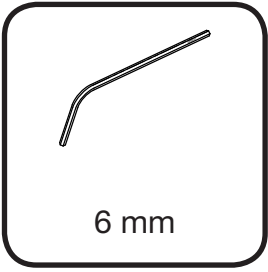
## ASSEMBLY INSTRUCTION

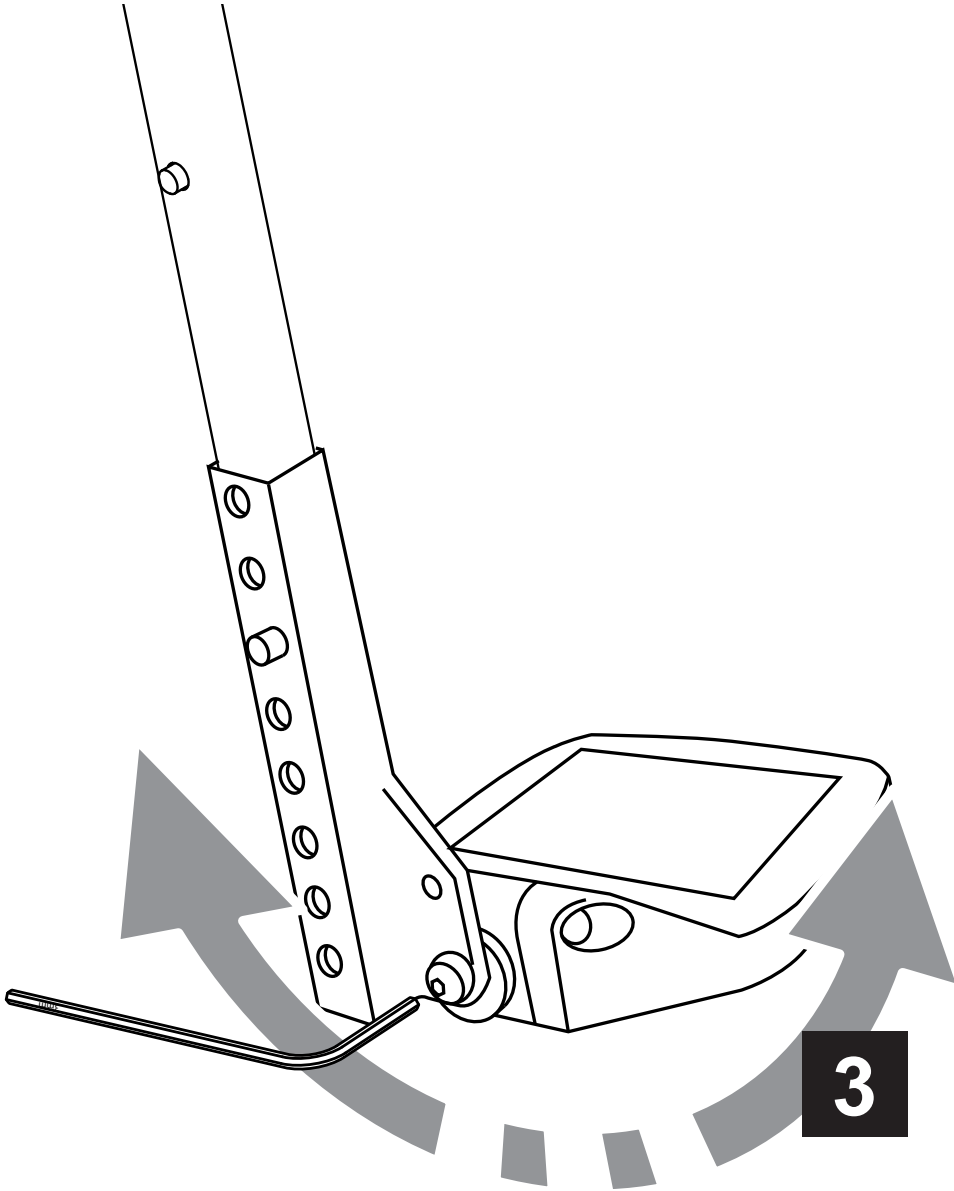
# Footplates for hanger with square tube



<b>Seat width</b>	<b>Right</b>	<b>Left</b>
Emineo-Exigo SB/SW 39	<input type="checkbox"/> 110600	<input type="checkbox"/> 110601
Cirrus 4 - smal/narrow	<input type="checkbox"/> 110602	<input type="checkbox"/> 110603
Emineo-Exigo SB/SW 45	<input type="checkbox"/> 110604	<input type="checkbox"/> 110605
Cirrus 4 - bred/wide Emineo-Exigo SB/SW 48	<input type="checkbox"/> 110606	<input type="checkbox"/> 110607
Emineo-Exigo SB/SW 51	<input type="checkbox"/> 110608	<input type="checkbox"/> 110609
Cirrus 4 - X-bred/X-wide	<input type="checkbox"/> 110610	<input type="checkbox"/> 110611









Sunrise Medical HCM B.V.  
Vossenbeemd 104  
5705 CL Helmond  
The Netherlands

T: +31 (0)492 593 888  
[customerservice@sunrisemedical.nl](mailto:customerservice@sunrisemedical.nl)  
[www.SunriseMedical.eu](http://www.SunriseMedical.eu)