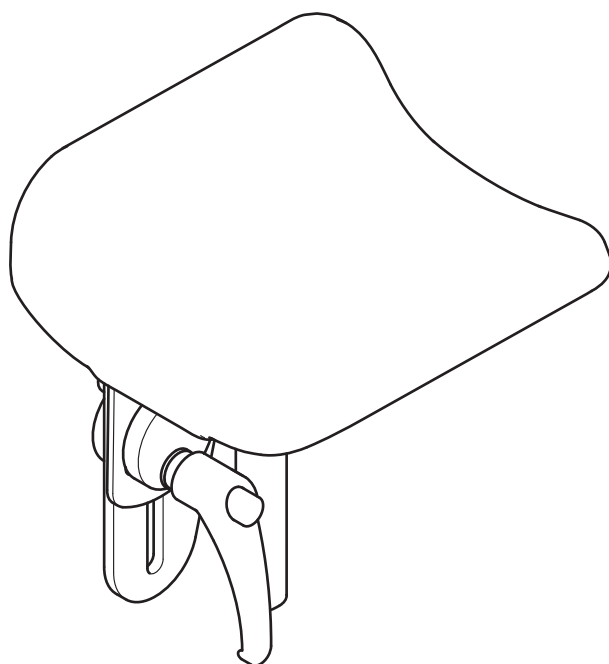


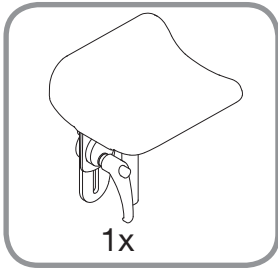
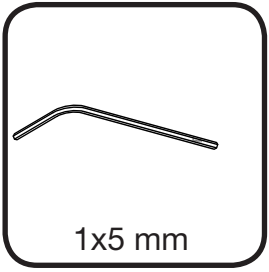
ASSEMBLY INSTRUCTION

Amputation support

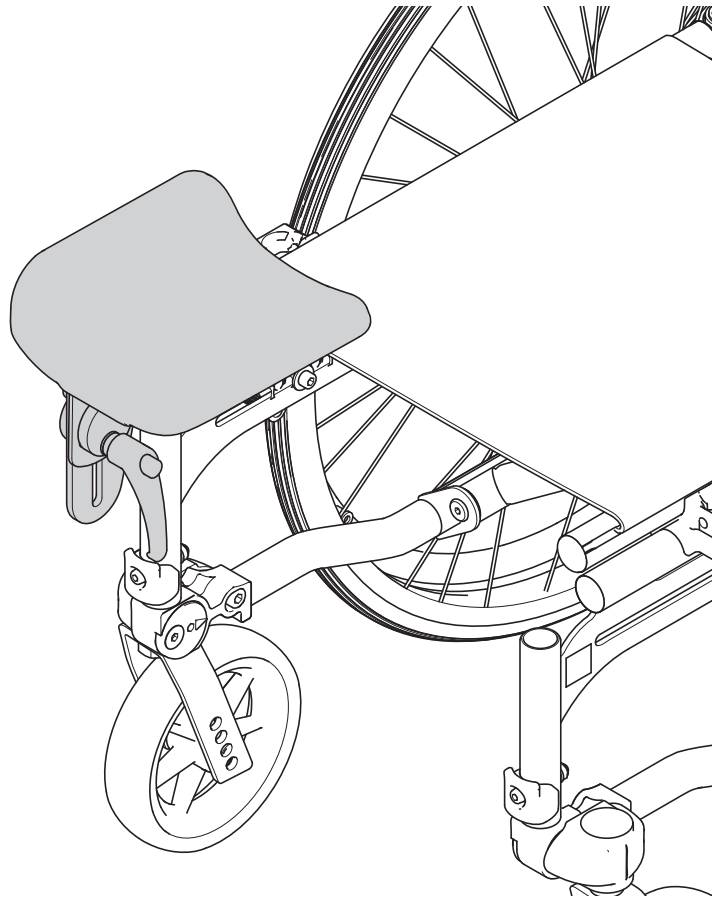
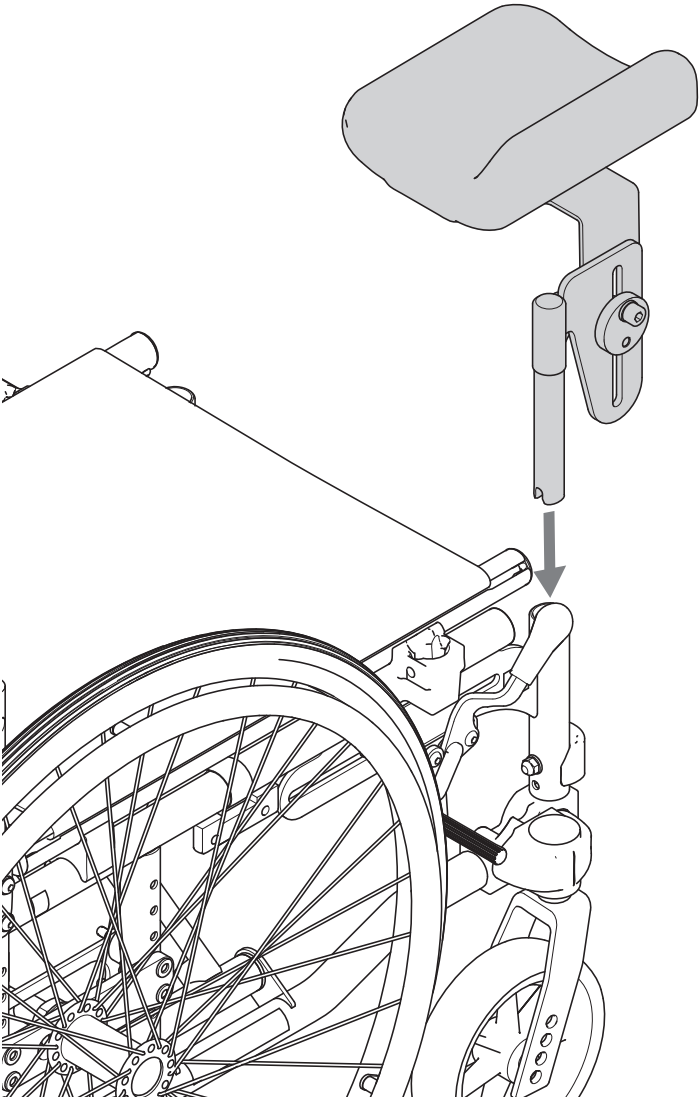


Description	Article number
Amputation support RHS	<input type="checkbox"/> 3003650
Amputation support LHS	<input type="checkbox"/> 3003651

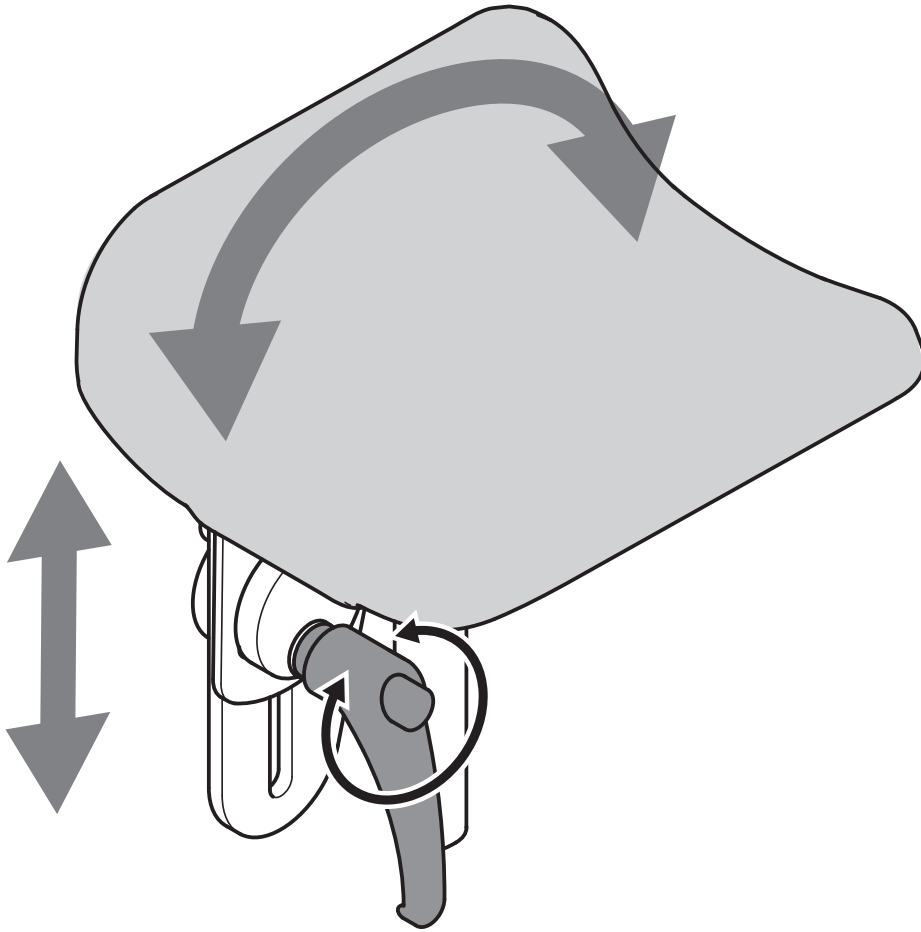




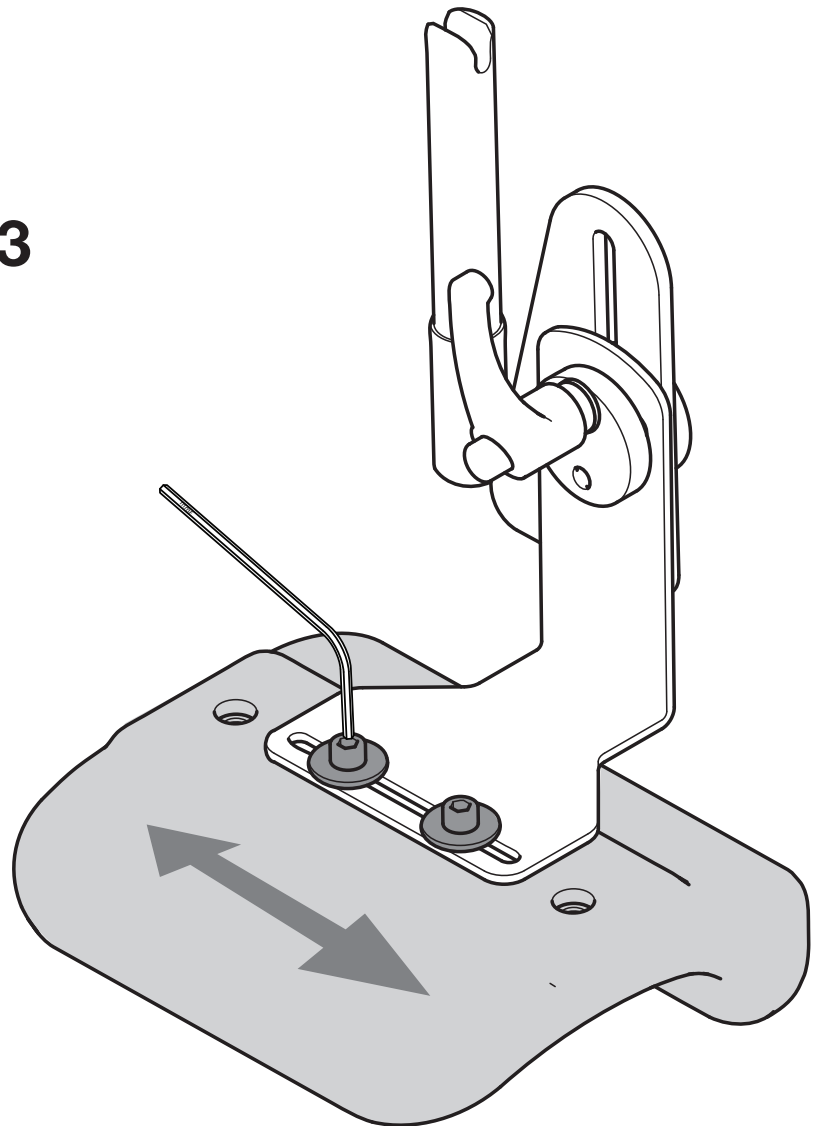
1



2



3





Sunrise Medical HCM B.V.
Vossenbeemd 104
5705 CL Helmond
The Netherlands

T: +31 (0)492 593 888
customerservice@sunrisemedical.nl
www.SunriseMedical.eu