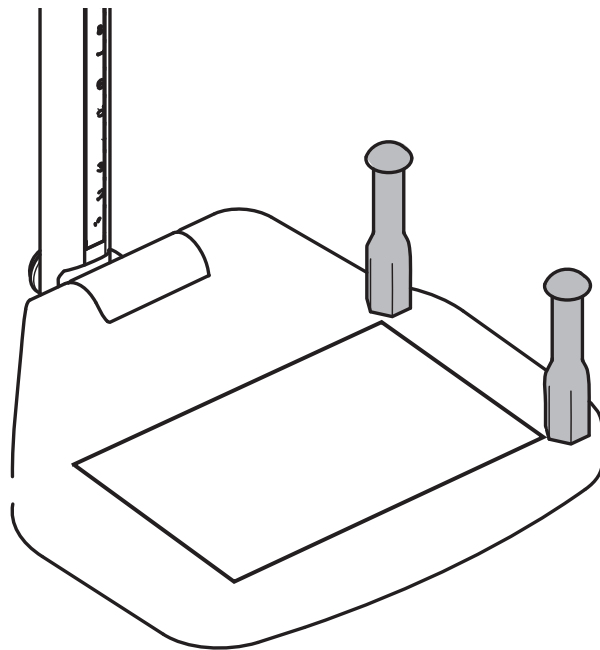


ASSEMBLY INSTRUCTION
Pin for heel strap



Description

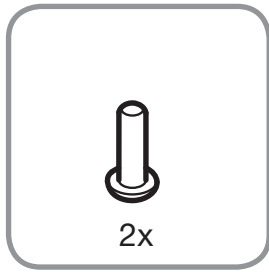
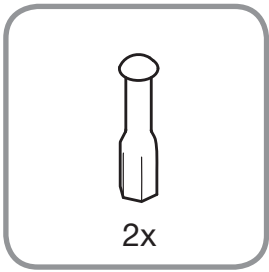
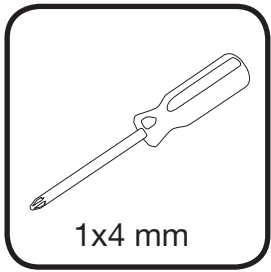
Pin for heel strap with screw

Article number

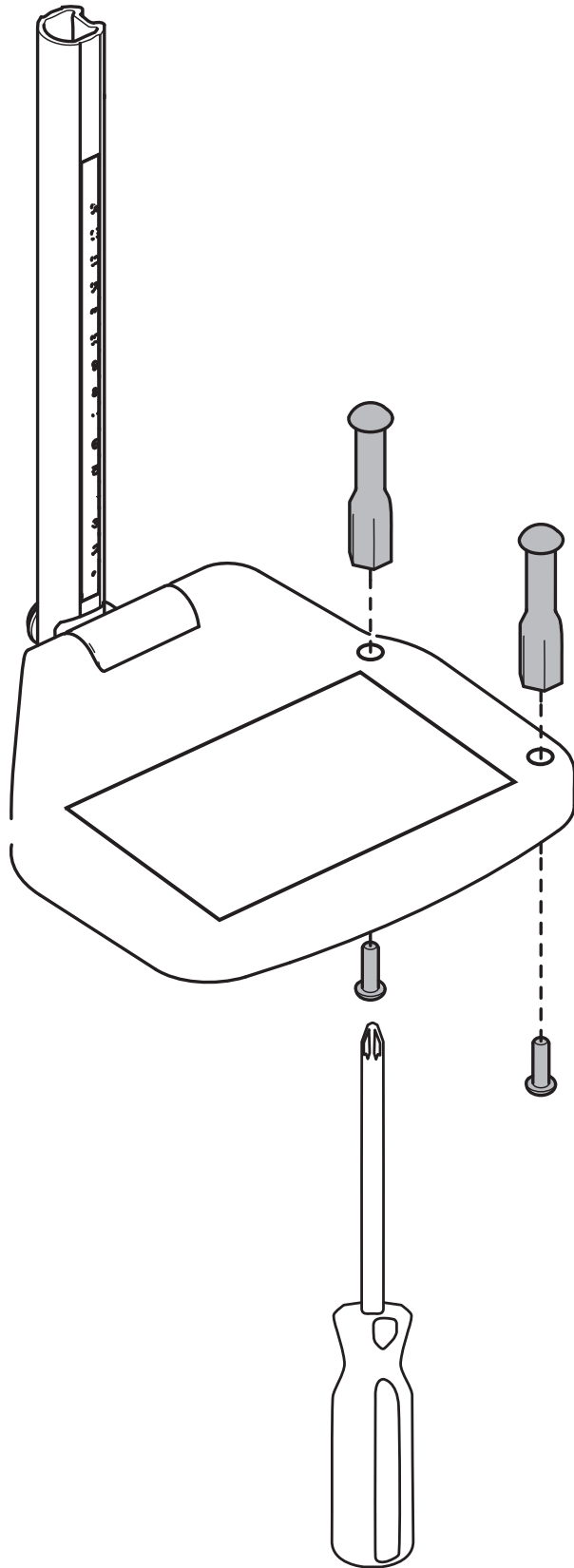


3003799

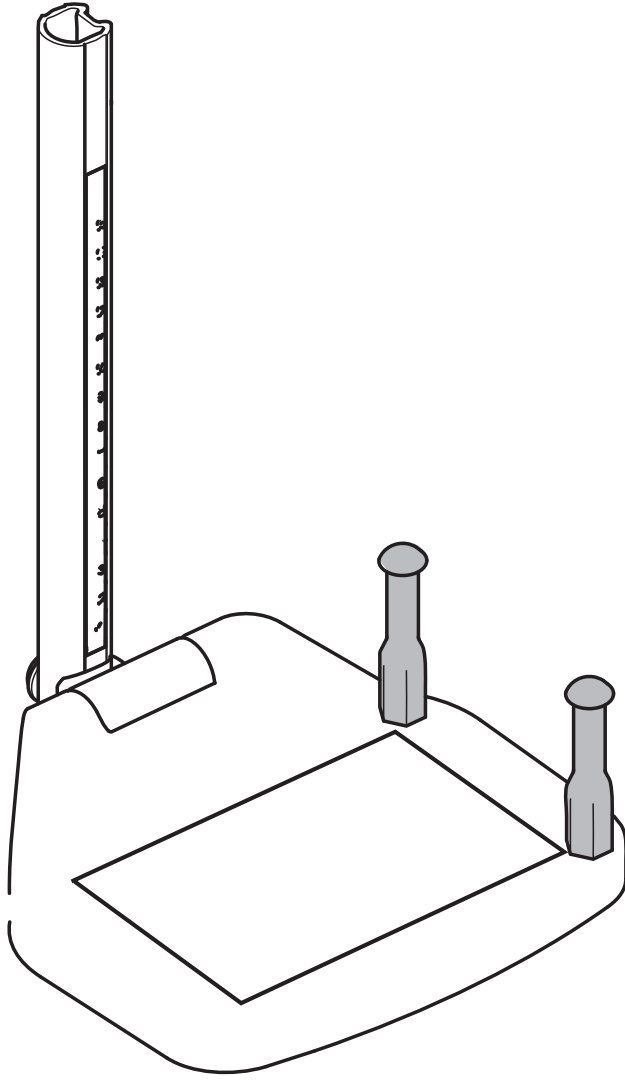




1



2





Sunrise Medical HCM B.V.
Vossenbeemd 104
5705 CL Helmond
The Netherlands

T: +31 (0)492 593 888
customerservice@sunrisemedical.nl
www.SunriseMedical.eu